

US00D862839S

(12) **United States Design Patent** (10) **Patent No.:** **US D862,839 S**  
**Ji** (45) **Date of Patent:** **\*\* Oct. 15, 2019**

(54) **BRIEFS** 3,207,155 A \* 9/1965 Cullen ..... A41B 9/02  
602/67  
(71) Applicant: **Hangzhou Jizhuohong Garment Co.,** D266,540 S \* 10/1982 Nacinovich ..... D2/738  
**Ltd., Hangzhou, Zhejiang (CN)** 6,557,183 B1 \* 5/2003 Truong ..... A41B 9/02  
2/403  
(72) Inventor: **Zhuohong Ji, Zhejiang (CN)** D638,197 S 5/2011 Toratani  
D657,937 S 4/2012 Jones  
D682,509 S 5/2013 Denning  
(73) Assignee: **Hangzhou Jizhuohong Garment Co.,** D693,090 S \* 11/2013 Denning ..... D2/712  
**Ltd., Hangzhou (CN)** D756,068 S \* 5/2016 Astin ..... D2/712  
D760,995 S \* 7/2016 Astin ..... D2/712  
D820,557 S \* 6/2018 Warman ..... D2/712  
(\*\*) Term: **15 Years** 2017/0280783 A1 \* 10/2017 Nouh ..... A41B 9/02

(21) Appl. No.: **29/695,696**

(22) Filed: **Jun. 21, 2019**

(51) **LOC (12) Cl.** ..... **02-01**

(52) **U.S. Cl.**  
USPC ..... **D2/706**

(58) **Field of Classification Search**  
USPC ..... D2/711-713, 738  
CPC ..... A41D 7/00; A41D 7/005; A41D 1/062;  
A41D 1/065; A41D 1/067; A41D 1/08;  
A41B 9/02

See application file for complete search history.

(56) **References Cited**

**U.S. PATENT DOCUMENTS**

3,166,764 A \* 1/1965 Stedman ..... A41B 9/02  
2/403  
3,174,482 A \* 3/1965 Parrott ..... A41B 9/02  
450/95

\* cited by examiner

*Primary Examiner* — Catherine R Oliver-Garcia  
*Assistant Examiner* — J. Thorn, Sr.

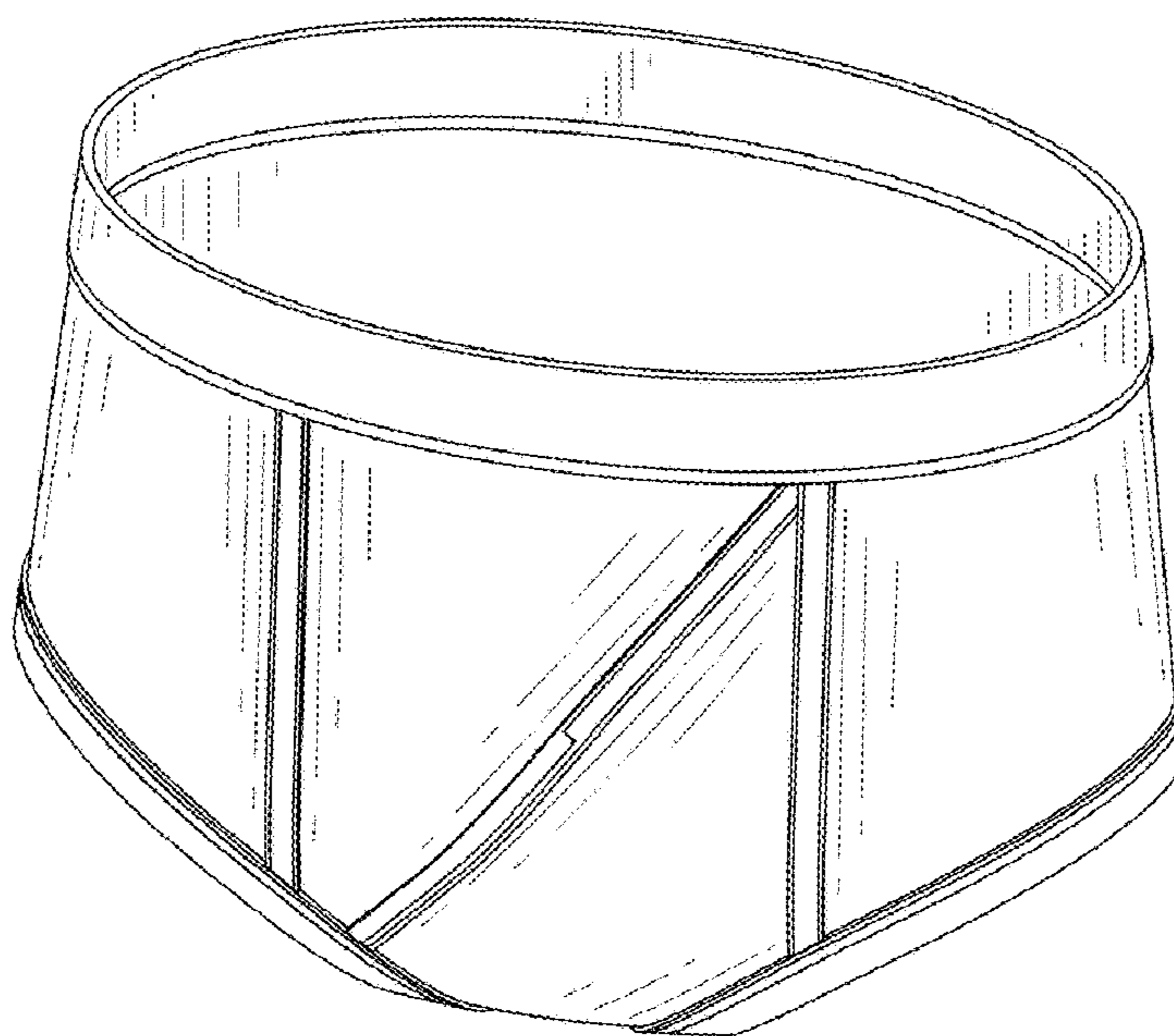
(57) **CLAIM**

The ornamental design for briefs, as shown and described.

**DESCRIPTION**

FIG. 1 is a front perspective view of briefs showing my new design;  
FIG. 2 is a front view thereof;  
FIG. 3 is a back view thereof;  
FIG. 4 is a left side view thereof;  
FIG. 5 is a right side view thereof;  
FIG. 6 is a top view thereof;  
FIG. 7 is a bottom view thereof; and,  
FIG. 8 is a left perspective view thereof.

**1 Claim, 8 Drawing Sheets**



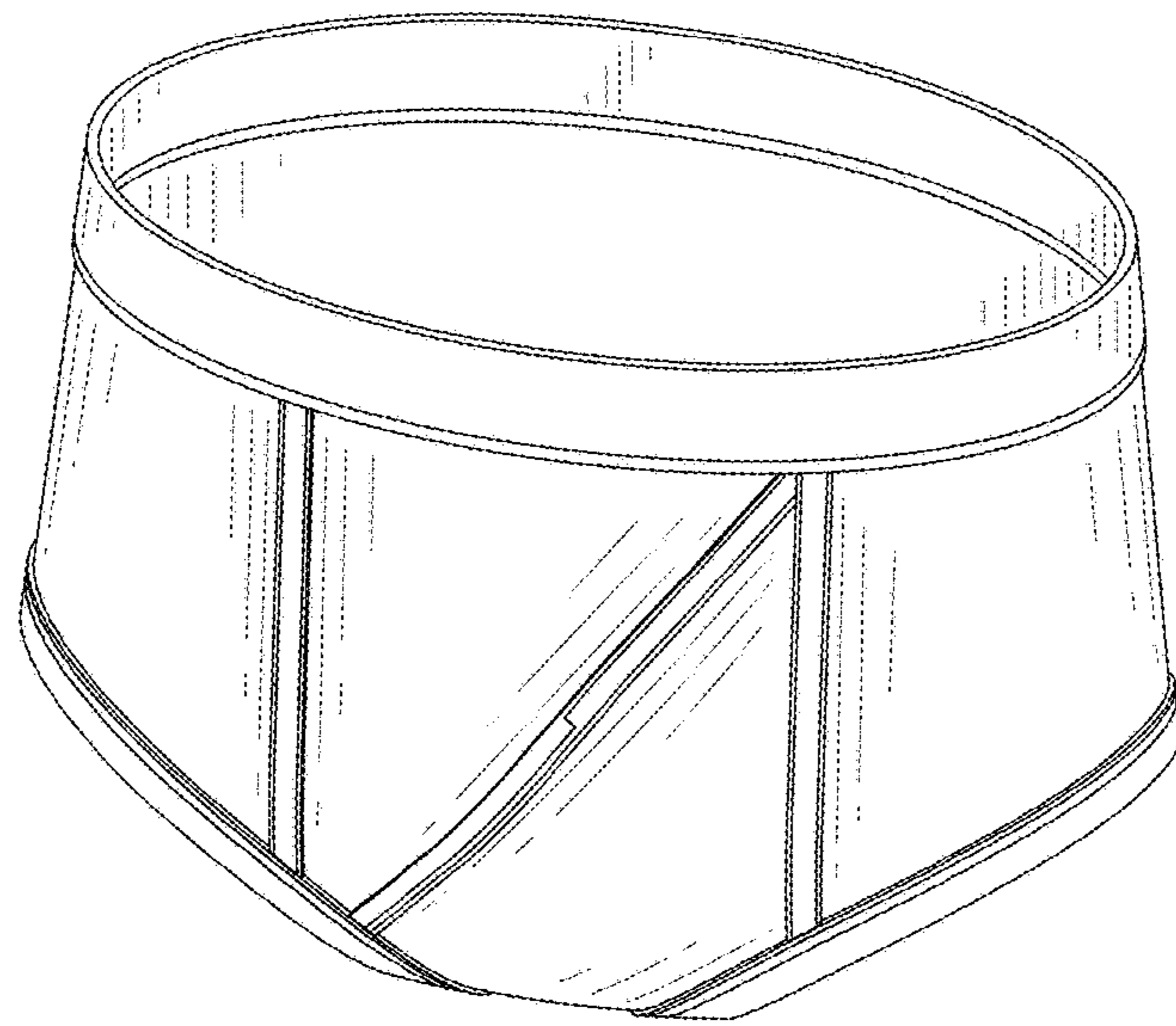


FIG. 1

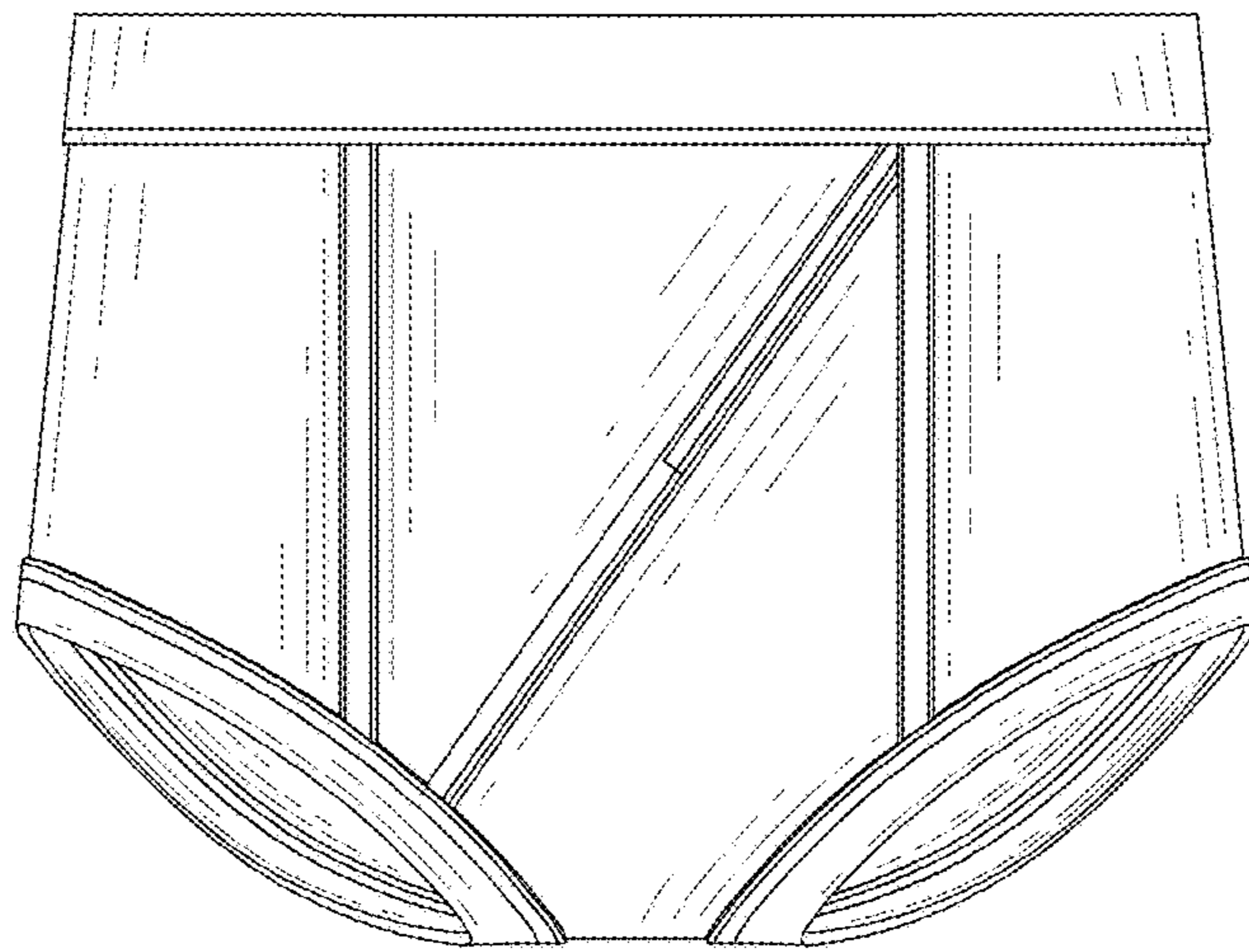


FIG. 2

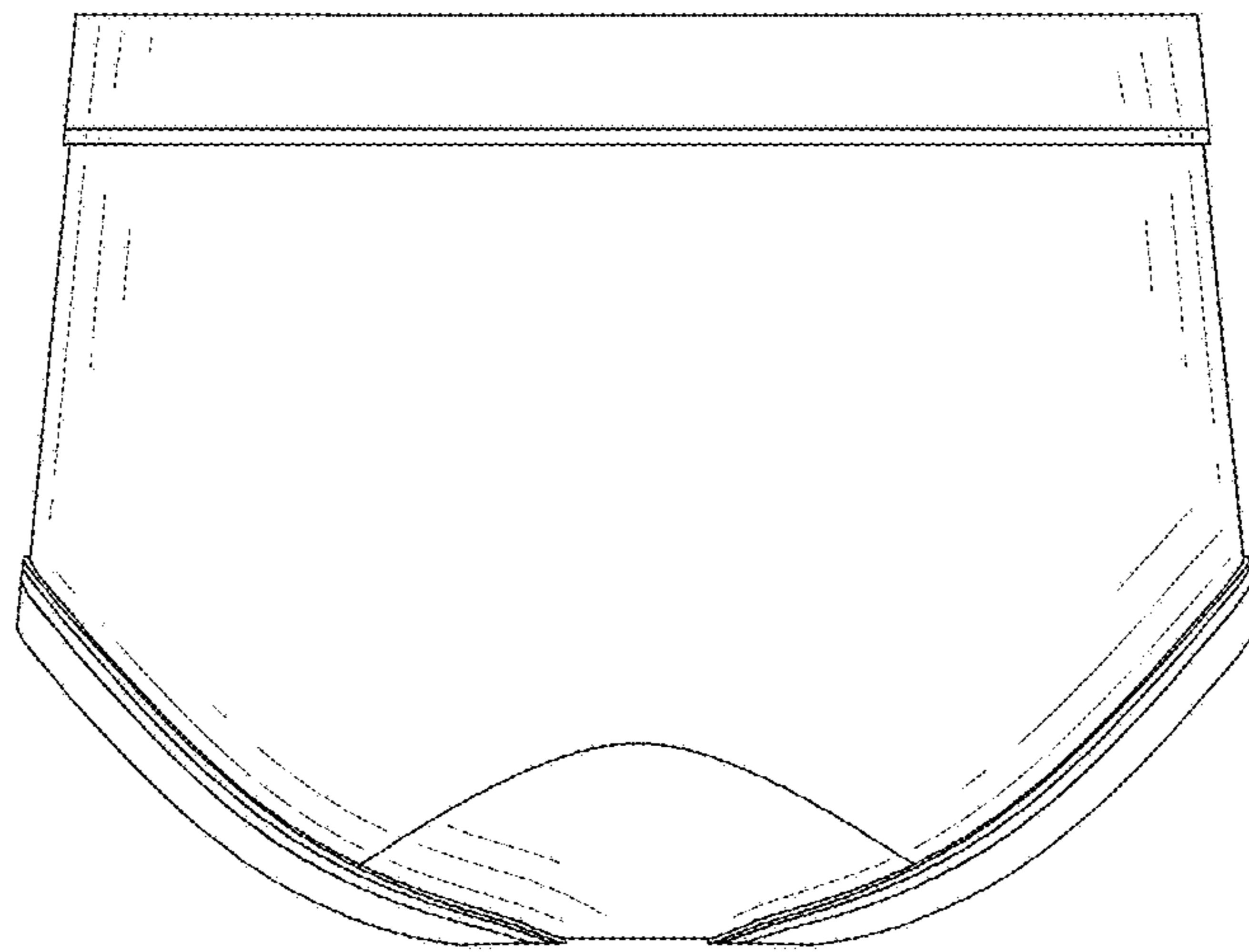


FIG. 3

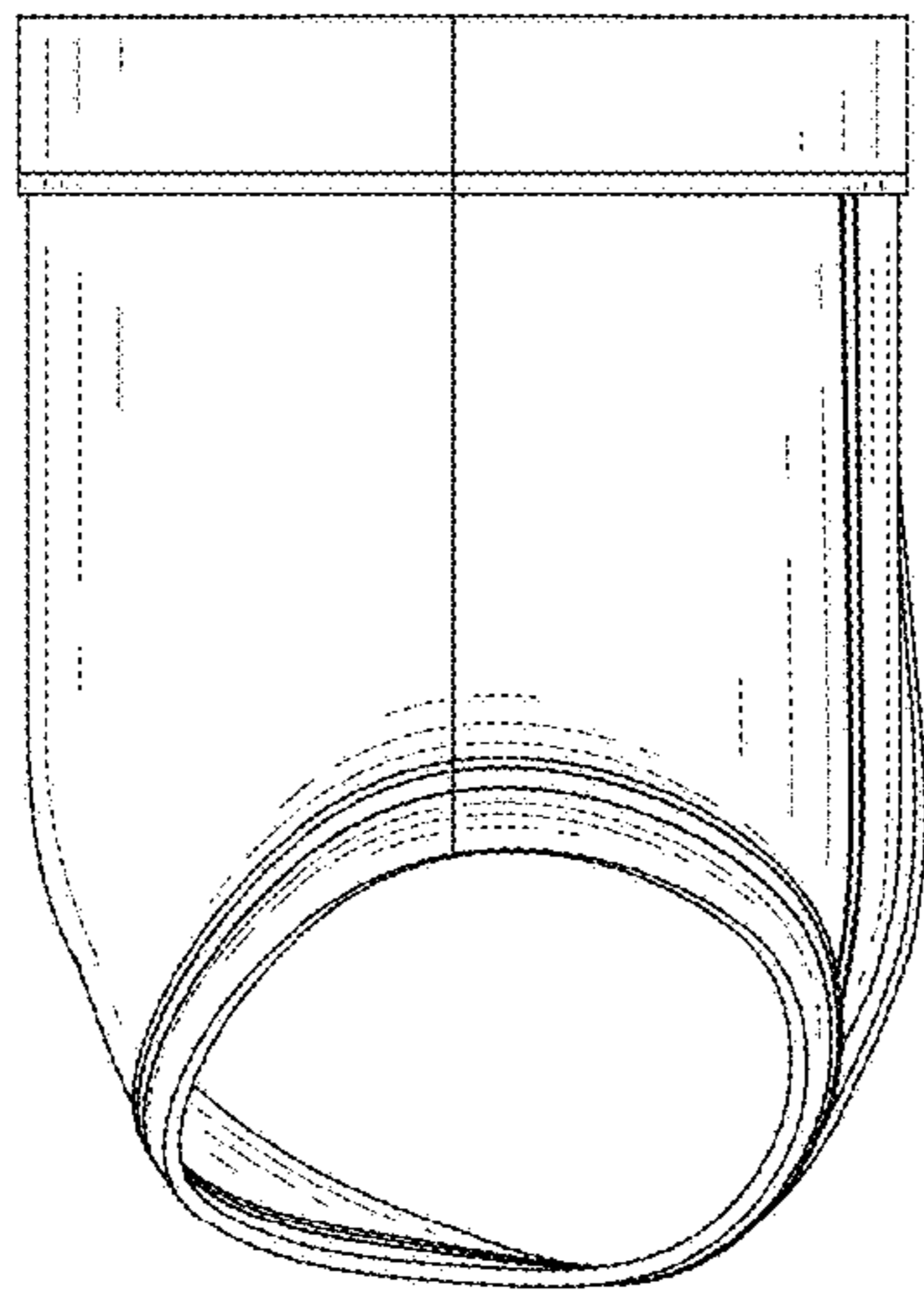


FIG. 4

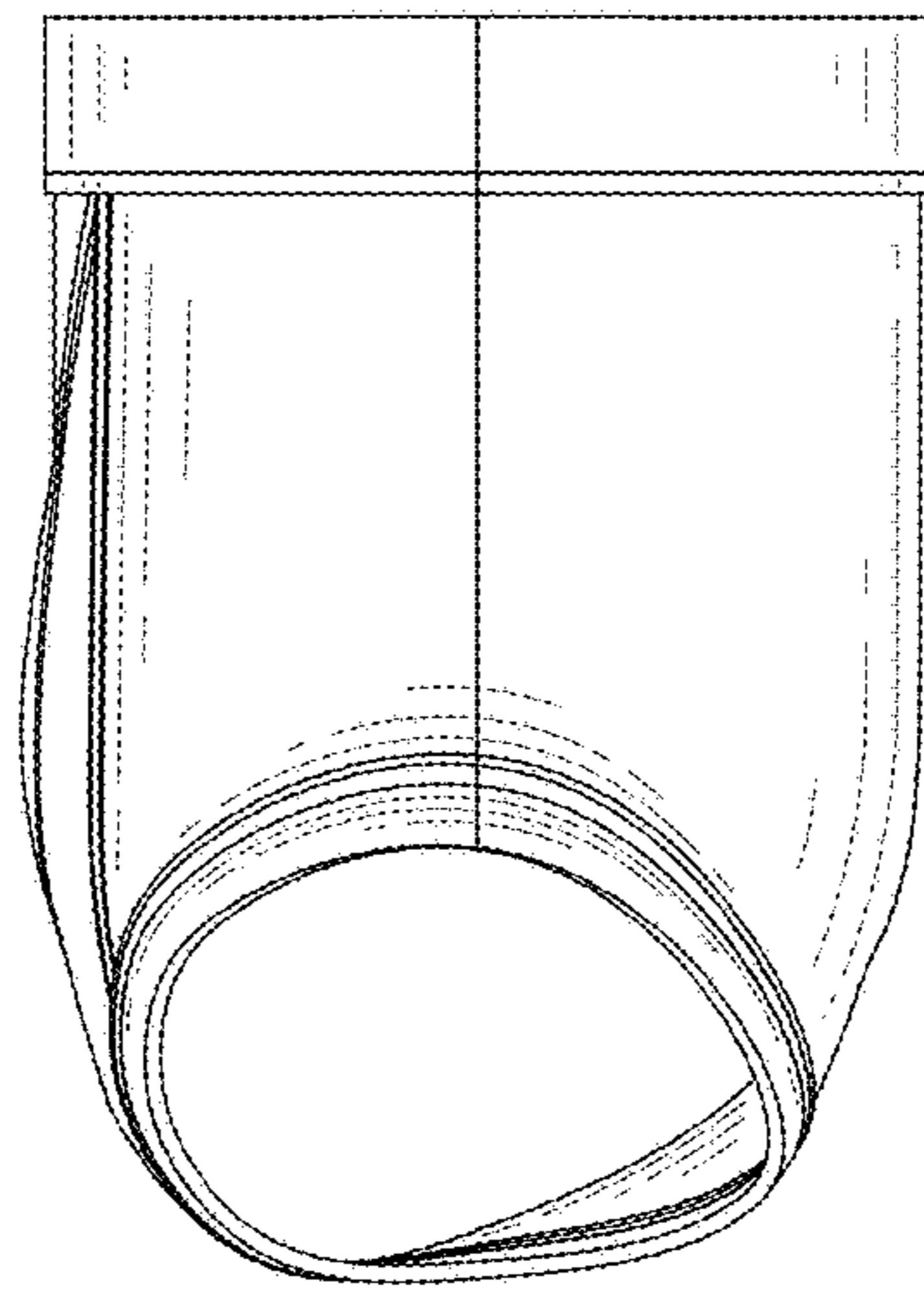


FIG. 5

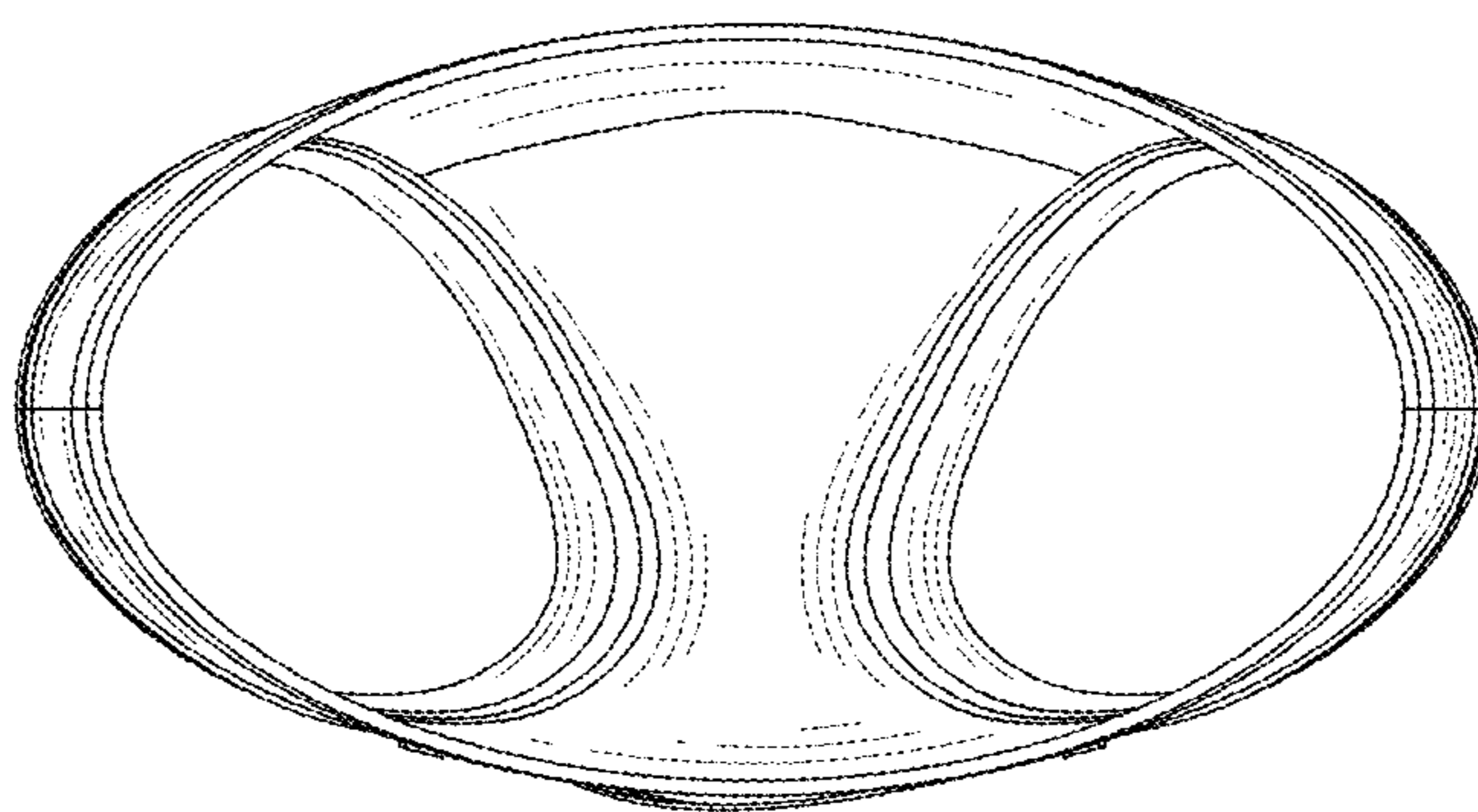


FIG. 6

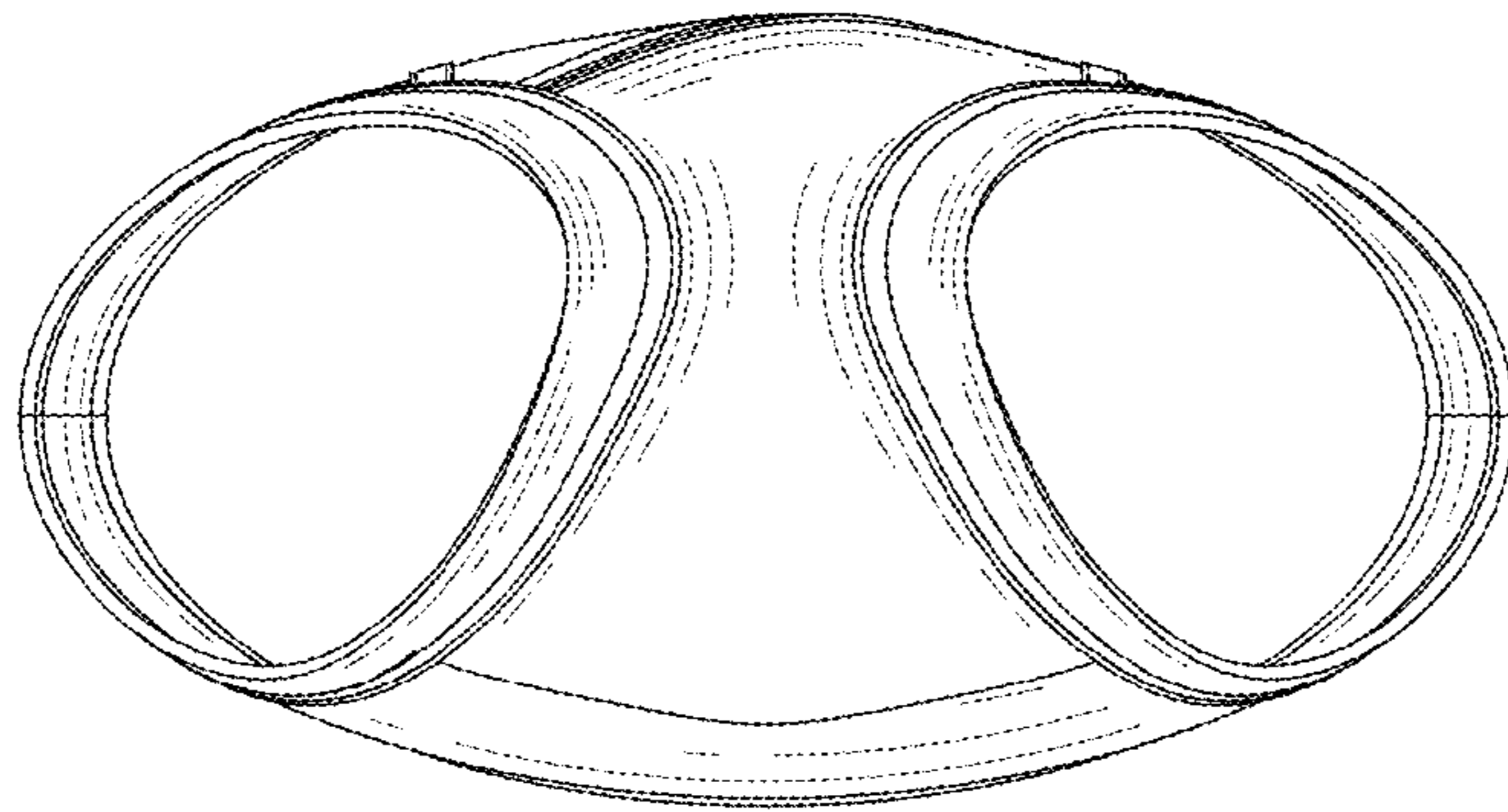


FIG. 7



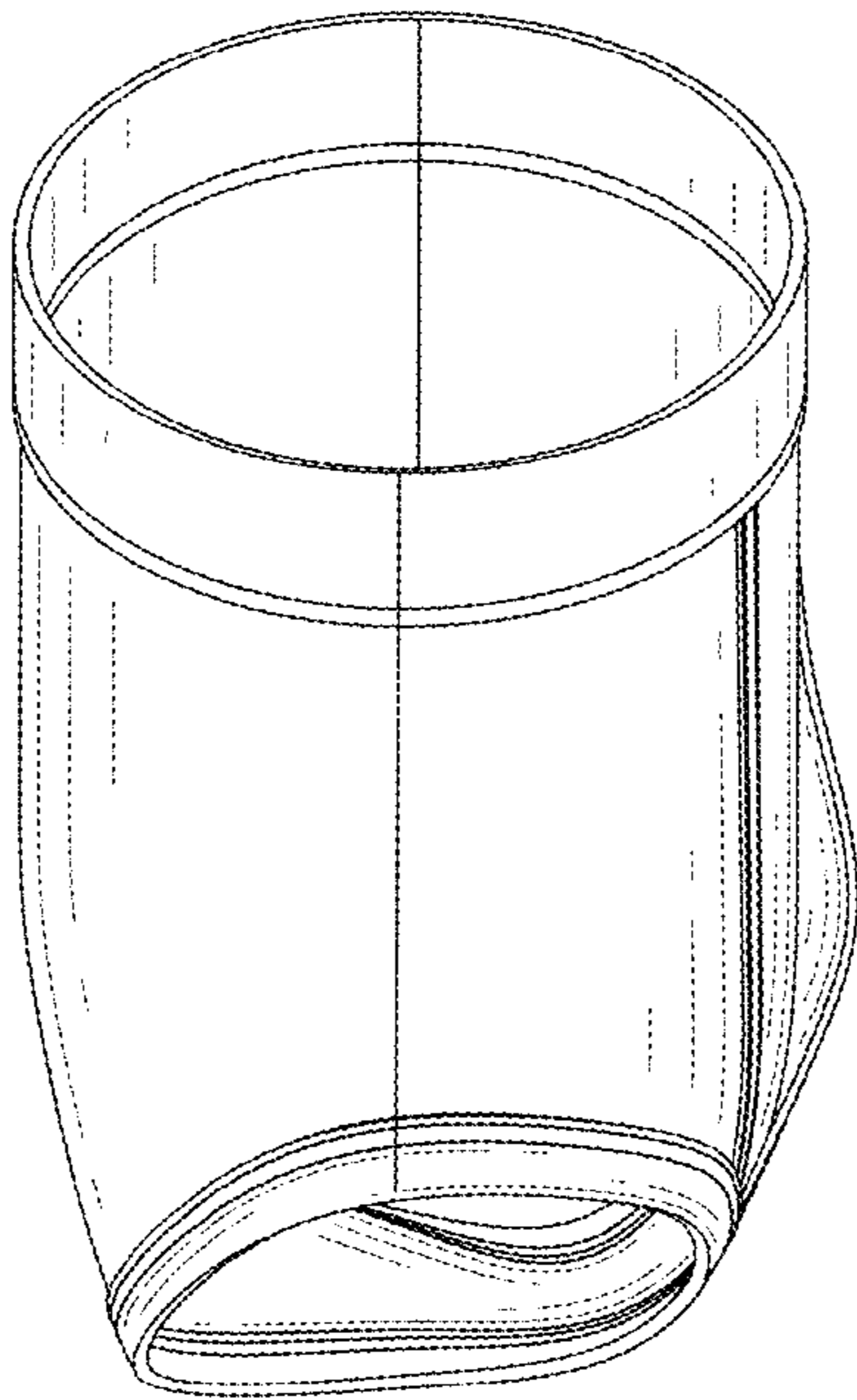


FIG. 8