

US00D862835S

(12) **United States Design Patent** (10) **Patent No.:** **US D862,835 S**
Carteaux et al. (45) **Date of Patent:** **** Oct. 15, 2019**

(54) **DOG CHEW**
(71) Applicant: **Chewy, Inc.**, Dania Beach, FL (US)
(72) Inventors: **Brad P. Carteaux**, Fort Lauderdale, FL (US); **Cynthia Yakich**, Parkland, FL (US); **Max Friedman**, Delray Beach, FL (US); **Lynn L. Lye**, Weston, FL (US); **Andy Teconchuk**, Warren, PA (US)

D578,726 S * 10/2008 Edwards D1/109
D587,429 S * 3/2009 Torney D1/106
7,497,189 B2 3/2009 Torney et al.
D603,128 S * 11/2009 Townsend D1/106
D603,578 S * 11/2009 Townsend D1/106
D741,041 S * 10/2015 Walker D1/121
D779,151 S * 2/2017 Clements D1/122
D800,990 S * 10/2017 Clements D1/123
10,034,459 B1 * 7/2018 Scanlan A01K 15/025

(Continued)

(73) Assignee: **Chewy, Inc.**, Dania Beach, FL (US)
(**) Term: **15 Years**

(21) Appl. No.: **29/633,983**

(22) Filed: **Jan. 17, 2018**

(51) **LOC (12) Cl.** **01-01**

(52) **U.S. Cl.**
USPC **D1/125**

(58) **Field of Classification Search**
USPC D1/100–130, 199; 426/5, 76, 87, 92, 94, 426/95, 99, 101, 103, 104, 108, 134, 426/138–139, 143, 144, 279, 282, 283, 426/391, 514, 549, 559, 560, 660, 808; D9/439, 669; D24/130; D6/597, 598, D6/601; D21/488–490, 493, 680; D23/366, 386, 415; 239/44; D8/83; D30/160
CPC . A23G 3/50; A23G 3/54; A23G 9/282; A23G 3/28; A23J 3/26; A23L 1/0067
See application file for complete search history.

(56) **References Cited**

U.S. PATENT DOCUMENTS

D226,595 S * 4/1973 Caunes D1/121
4,166,136 A * 8/1979 Stoll A23L 7/109
426/144
4,650,684 A * 3/1987 Penrose A23L 19/18
426/144

OTHER PUBLICATIONS

Mars Incorporated and Mars Petcare US, Inc. vs. Rondo Food GmbH and Rondo Food Ireland Ltd., Civil Complaint, Case 3:18-cv-00409, United States District Court of Tennessee, Apr. 30, 2018, 17 pages.

(Continued)

Primary Examiner — Katie Jane Stofko
(74) *Attorney, Agent, or Firm* — Dechert LLP

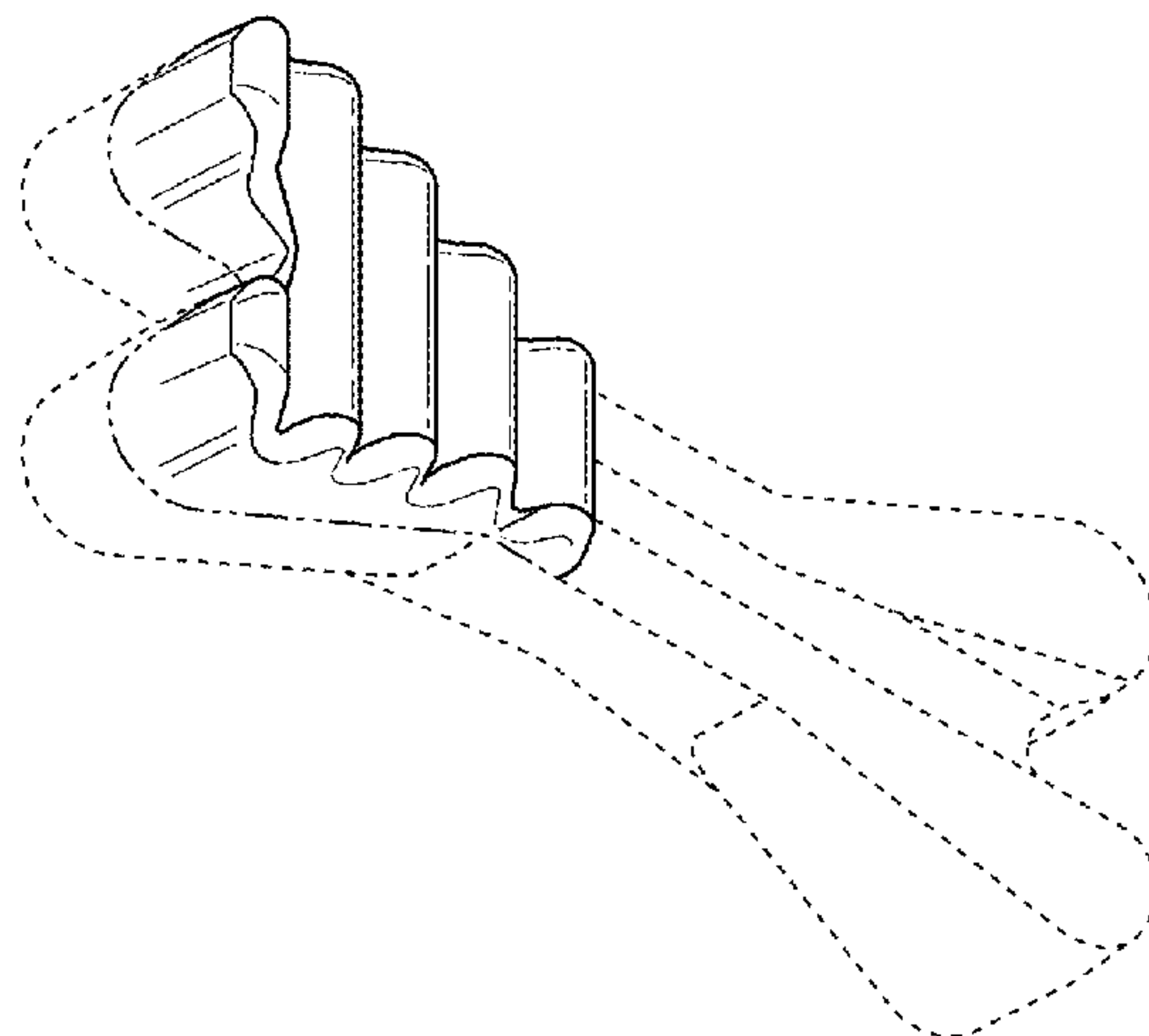
(57) **CLAIM**

The ornamental design for a dog chew, as shown and described.

DESCRIPTION

FIG. 1 is a top, right, front view of a dog chew in accordance with the new design;
FIG. 2 is a top plan view thereof;
FIG. 3 is a right side elevational view thereof, the right side elevational view being a mirror image thereof;
FIG. 4 is a bottom plan view thereof.
FIG. 5 is a rear elevational view thereof; and,
FIG. 6 is a front elevational view thereof.
The evenly-spaced broken lines in FIGS. 1-6 illustrate portions of the dog chew that form no part of the claimed design. The dash-dot-dot broken lines in FIGS. 1, 3, 5, and 6 illustrate the boundary of the claimed design which forms no part thereof.

1 Claim, 2 Drawing Sheets



(56)

References Cited

U.S. PATENT DOCUMENTS

D825,885 S * 8/2018 Falcone D1/199
2016/0113241 A1* 4/2016 Valle A01K 5/00
119/51.01

OTHER PUBLICATIONS

Mars Incorporated and Mars Petcare US, Inc. vs. Rondo Food GmbH and Rondo Food Ireland Ltd., Examples of products and packaging bearing Mars' GREENIES Toothbrush Design—Exhibit A of Civil Complaint, Case 3:18-cv-00409, United States District Court of Tennessee, Apr. 30, 2018, 10 pages.

Mars Incorporated and Mars Petcare US, Inc. vs. Rondo Food GmbH and Rondo Food Ireland Ltd., Copies of registration certificates and related documents showing Mars's ownership of U.S. Trademark Registration Nos. 3,122,596, 3,220,981, 3,340,413, 2,874,574, 3,869,171, and 5,135,318—Exhibit B of Civil Complaint, Case 3:18-cv-00409, United States District Court of Tennessee, Apr. 30, 2018, 20 pages.

Mars Incorporated and Mars Petcare US, Inc. vs. Rondo Food GmbH and Rondo Food Ireland Ltd., U.S. Pat. No. 7,497,189 by Mars, Incorporated—Exhibit C of Civil Complaint, Case 3:18-cv-00409, United States District court of Tennessee, Apr. 30, 2018, 8 pages.

Mars Incorporated and Mars Petcare US, Inc. vs. Rondo Food GmbH and Rondo Food Ireland Ltd., Images of Rondo's Infringing Products, including GREENIES Toothbrush Design—Exhibit D of Civil Complaint, Case 3:18-cv-00409, United States District Court of Tennessee, Apr. 30, 2018, 7 pages.

* cited by examiner

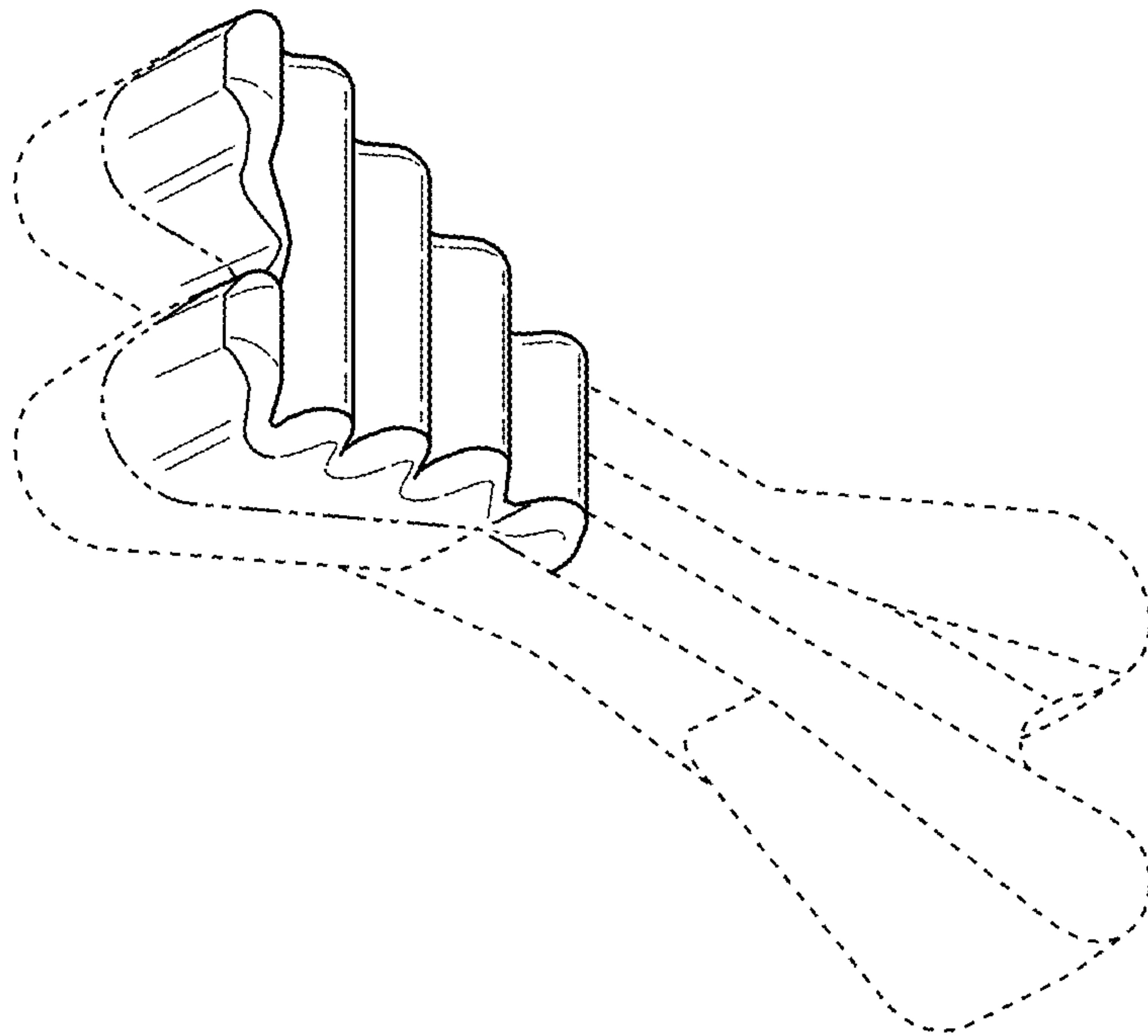


FIG. 1

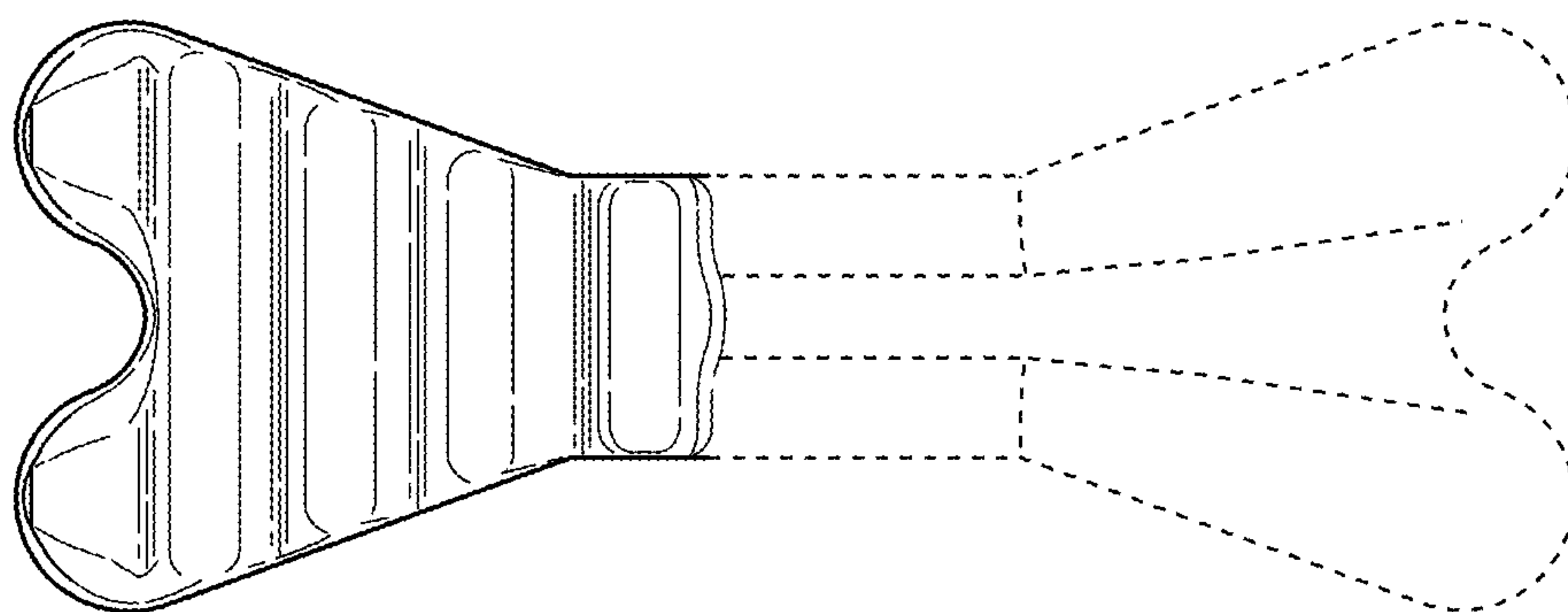


FIG. 2

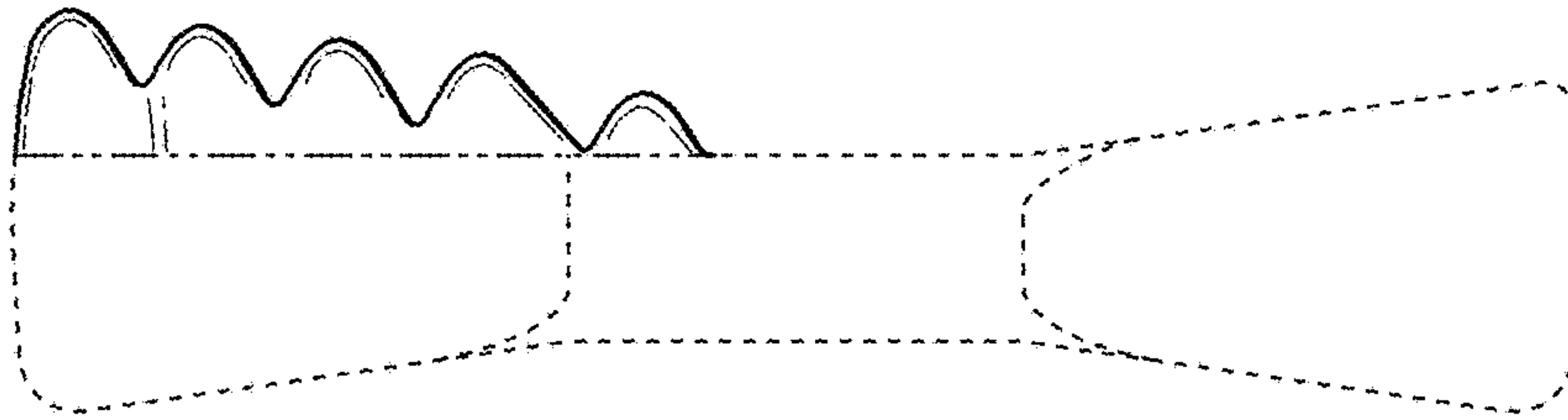


FIG. 3

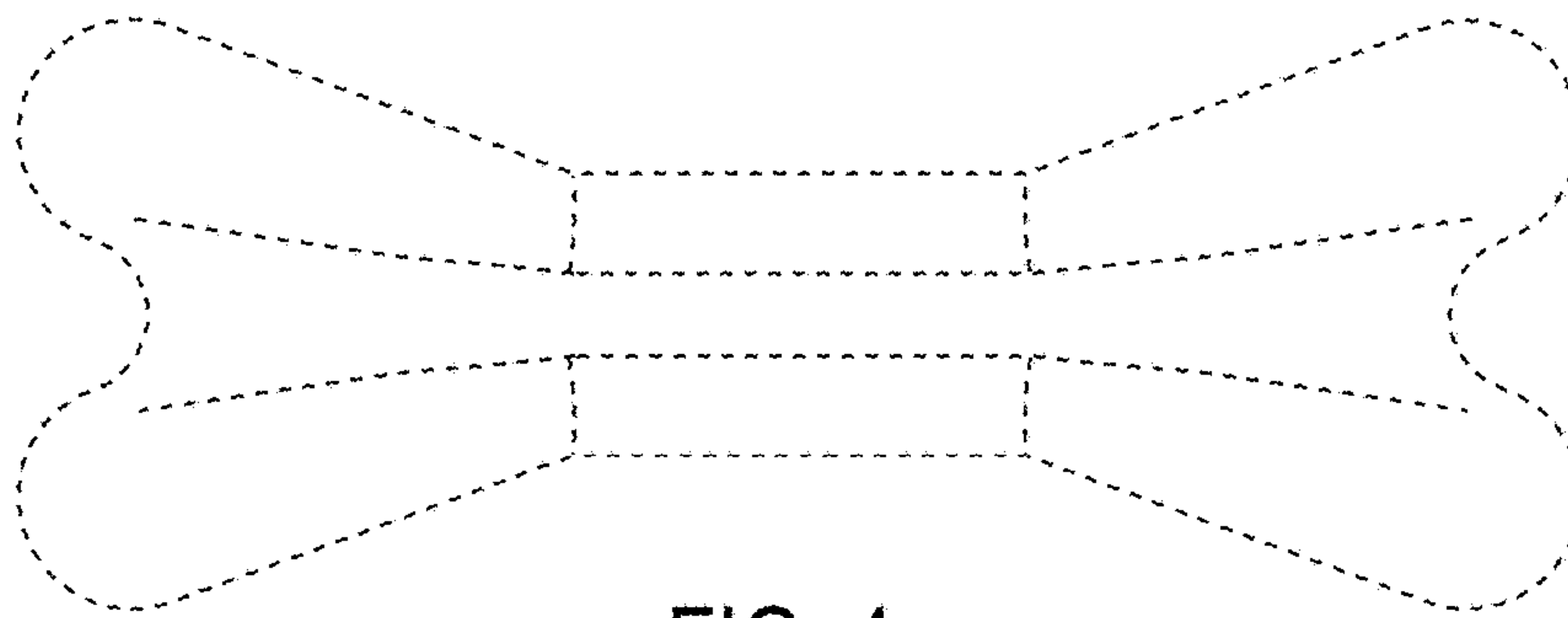


FIG. 4

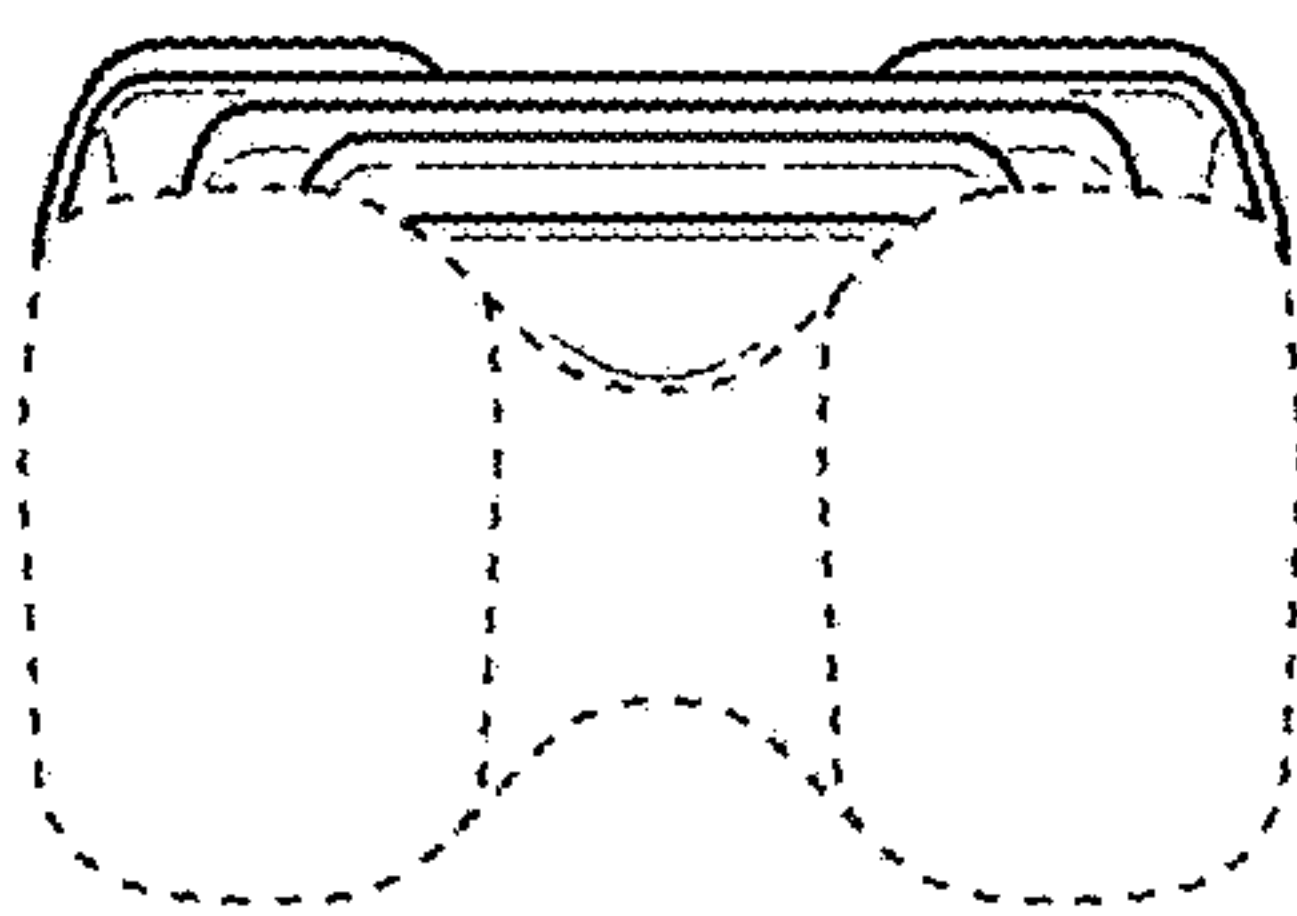


FIG. 5

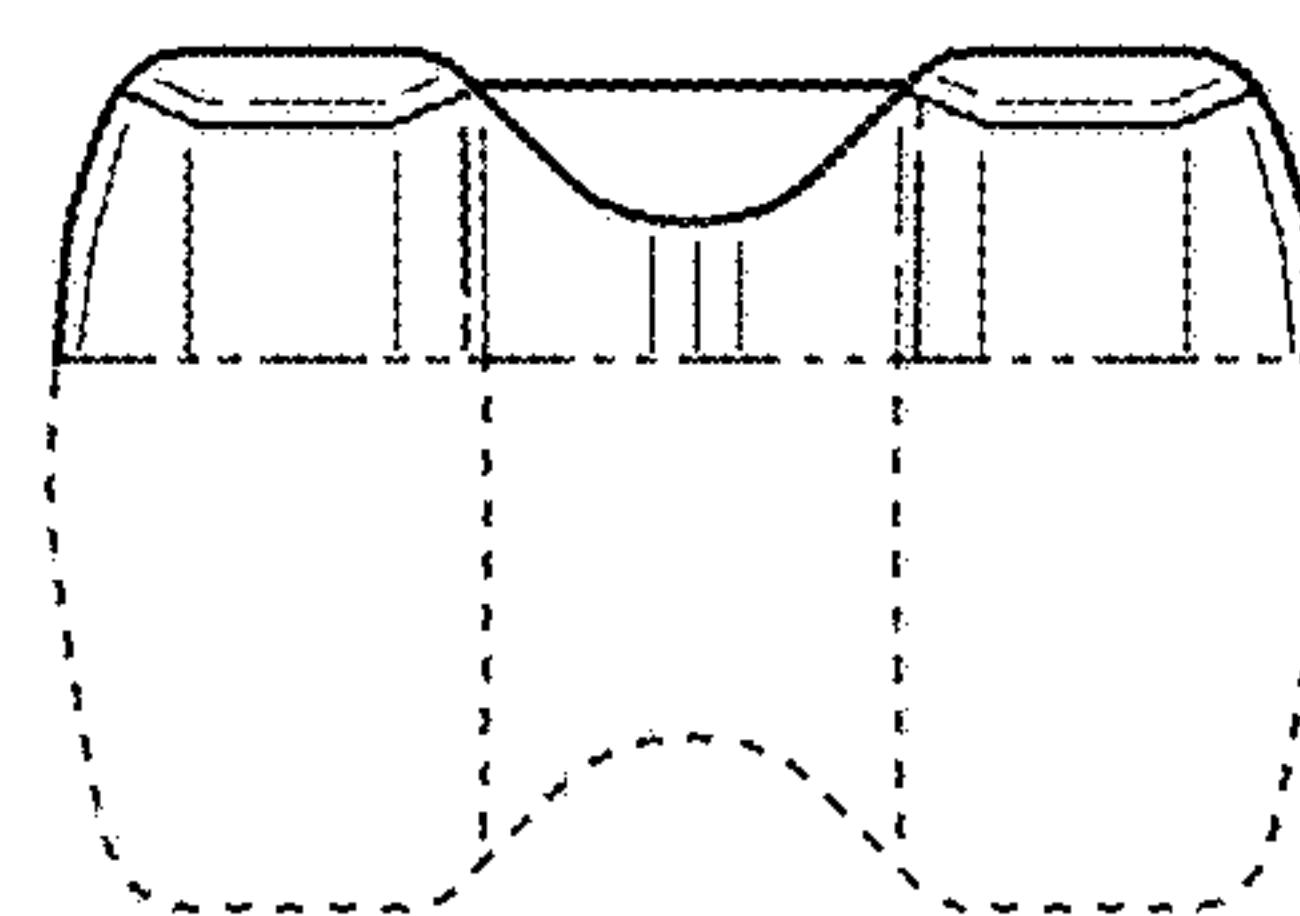


FIG. 6