



US00D862829S

(12) **United States Design Patent** (10) **Patent No.:** **US D862,829 S**
Angelopoulos et al. (45) **Date of Patent:** **** Oct. 8, 2019**

(54) **TERMINAL**

(71) Applicant: **Intralot S.A. - Integrated Lottery Systems and Services**, Athens (GR)

(72) Inventors: **Nikolaos Angelopoulos**, Athens (GR); **Apostolos Dalas**, Athens (GR)

(73) Assignee: **Intralot S.A. - Integrated Lottery Systems and Services**, Athens (GR)

(**) Term: **15 Years**

(21) Appl. No.: **29/616,460**

(22) Filed: **Sep. 6, 2017**

(51) **LOC (12) Cl.** **99-00**

(52) **U.S. Cl.**
USPC **D99/28**

(58) **Field of Classification Search**
USPC D99/28, 34, 35, 36, 43, 99;
D14/300-302, 305, 307, 900-902;
D18/3.1-3.3, 4.1-4.6, 12.1-12.3;
D21/324, 325, 329, 369, 370; 101/66;
109/1 R, 1 V, 2, 23, 24.1, 25, 58, 58.5,
109/66; 446/8-13; 705/16, 17, 18, 42,
705/43, 44, 45; 235/51, 379, 380, 381,
235/382, 382.5, 386; 206/0.8, 0.81,
206/0.815, 0.82, 0.84

CPC .. G06Q 20/10; G06Q 20/108; G06Q 20/1085;
G06Q 20/18; G07D 1/00; G07D 1/02;
G07D 1/04; G07D 1/06; G07D 11/00;
G07D 9/002; G07D 9/04; G07F 19/20;
G07F 19/201; G07F 19/202; G07F
19/203; G07F 19/204; G07F 19/105;
G07F 19/21; G07F 19/00; G07F 7/04;
G07F 5/00; G07F 1/00; E05G 7/001;
E05G 1/006; A63H 33/00; A63H 33/005

See application file for complete search history.

(56) **References Cited**

U.S. PATENT DOCUMENTS

D318,553 S *	7/1991	Brown	D99/28
D395,129 S *	6/1998	Johnson	D14/130
D401,973 S *	12/1998	Isshiki	D20/10
D402,782 S *	12/1998	Johnson	D99/28
D415,330 S *	10/1999	King	D14/900
D419,277 S *	1/2000	Ishii	D99/28
D492,080 S *	6/2004	Magee	D99/28
D530,880 S *	10/2006	Magee	D99/28
D584,875 S *	1/2009	Bleck	D99/28
D596,374 S *	7/2009	Kang	D99/28
D597,275 S *	7/2009	Lee	D99/28
D625,305 S *	10/2010	Bleck	D14/307

(Continued)

Primary Examiner — Elizabeth J Oswecki

(74) *Attorney, Agent, or Firm* — Greenberg Traurig, LLP

(57) **CLAIM**

The ornamental design for a terminal, as shown and described.

DESCRIPTION

FIG. 1 is a front right perspective view of a terminal showing our new design;

FIG. 2 is a front view of the terminal shown in FIG. 1;

FIG. 3 is a rear view of the terminal shown in FIG. 1;

FIG. 4 is a left side view of the terminal shown in FIG. 1;

FIG. 5 is a right side view of the terminal shown in FIG. 1;

FIG. 6 is a top view of the terminal shown in FIG. 1;

FIG. 7 is a bottom view of the terminal shown in FIG. 1;

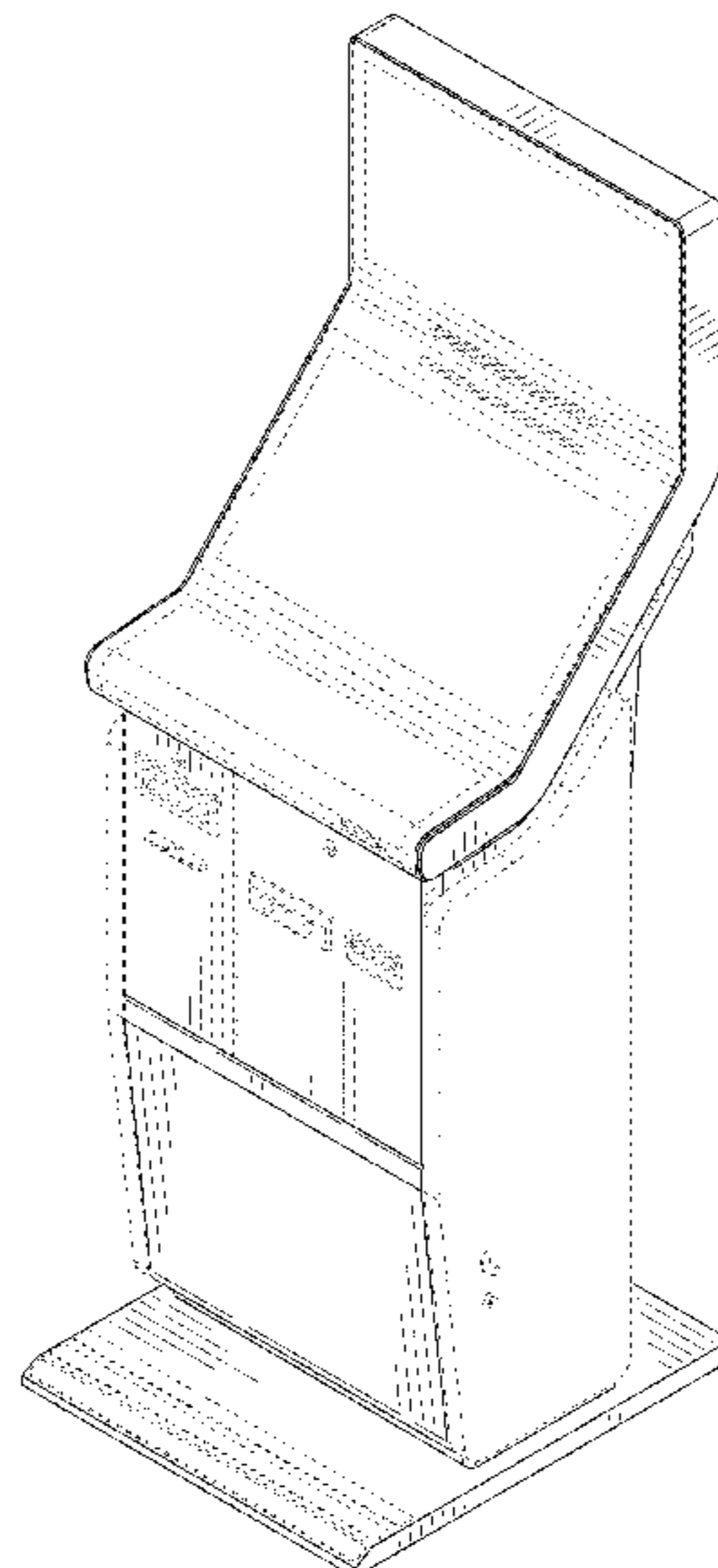
FIG. 8 is a front left perspective view of the terminal shown in FIG. 1; and,

FIG. 9 is a rear perspective view of the terminal shown in FIG. 1.

The broken lines are included to show features that form no part of the claimed design.

The shaded surfaces adjacent to the broken lines form part of the claimed design.

1 Claim, 8 Drawing Sheets



(56)

References Cited

U.S. PATENT DOCUMENTS

D626,544	S	*	11/2010	Bleck	D14/307
D626,545	S	*	11/2010	Bleck	D14/307
D629,585	S	*	12/2010	Bleck	D14/307
D645,223	S	*	9/2011	Bleck	D14/307
D674,985	S	*	1/2013	Lee	D14/900
D707,012	S	*	6/2014	Swaine	D99/28
D769,570	S	*	10/2016	Kraft	D99/28
D769,572	S	*	10/2016	Park	D99/28
D789,021	S	*	6/2017	Sato	D99/28
D792,049	S	*	7/2017	Oh	D99/28
2004/0262379	A1	*	12/2004	Gomes	G06Q 30/06 235/379
2008/0296365	A1	*	12/2008	Schliebe	G01G 19/52 235/379
2009/0057398	A1	*	3/2009	Douglass	G07F 19/20 235/379

* cited by examiner

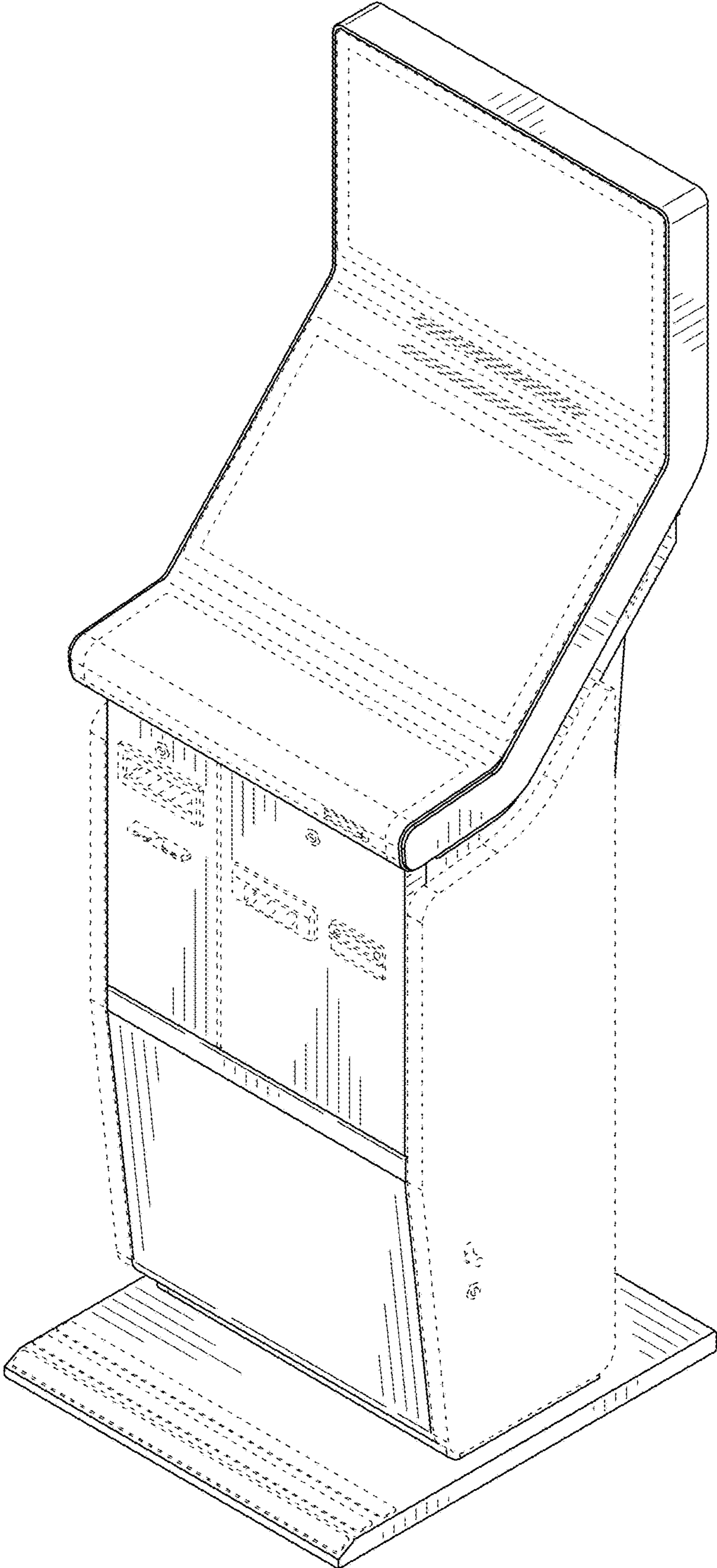


FIG. 1

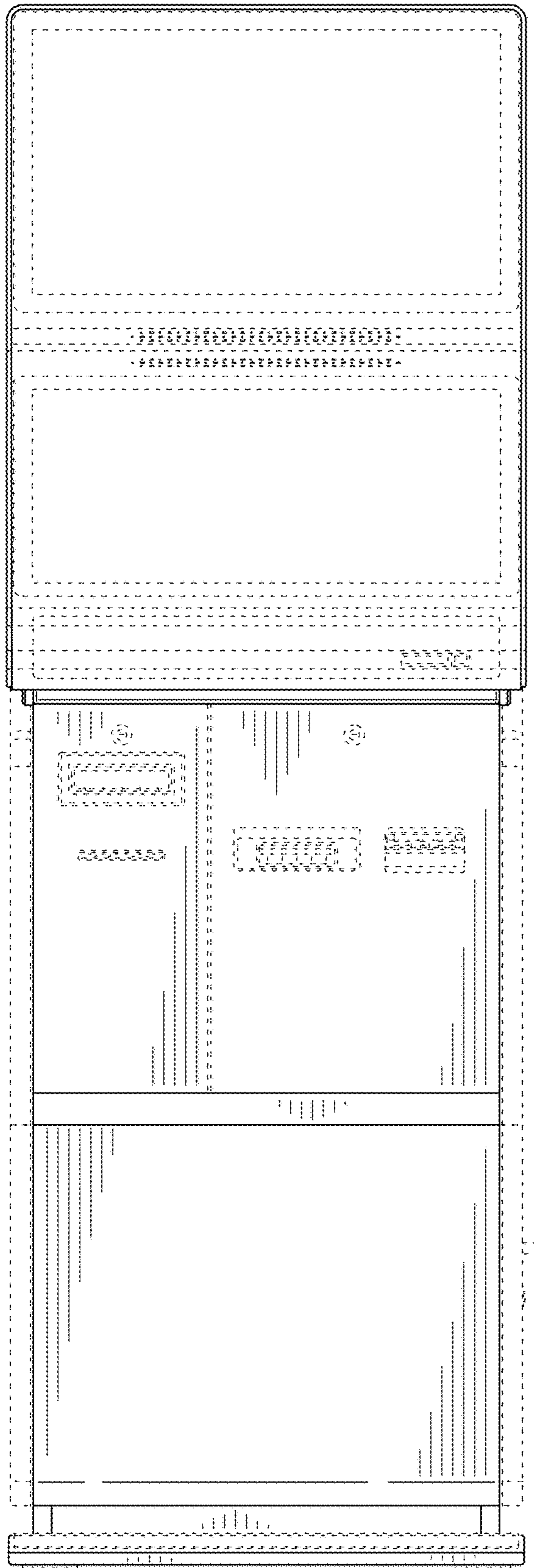


FIG. 2

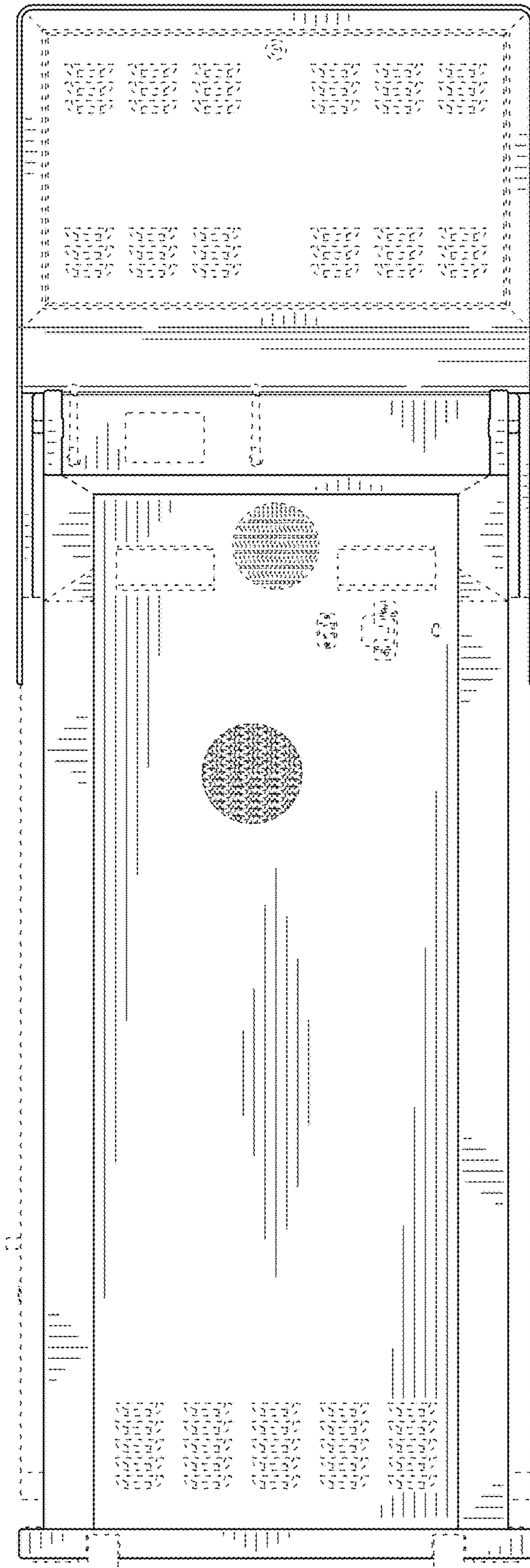


FIG. 3

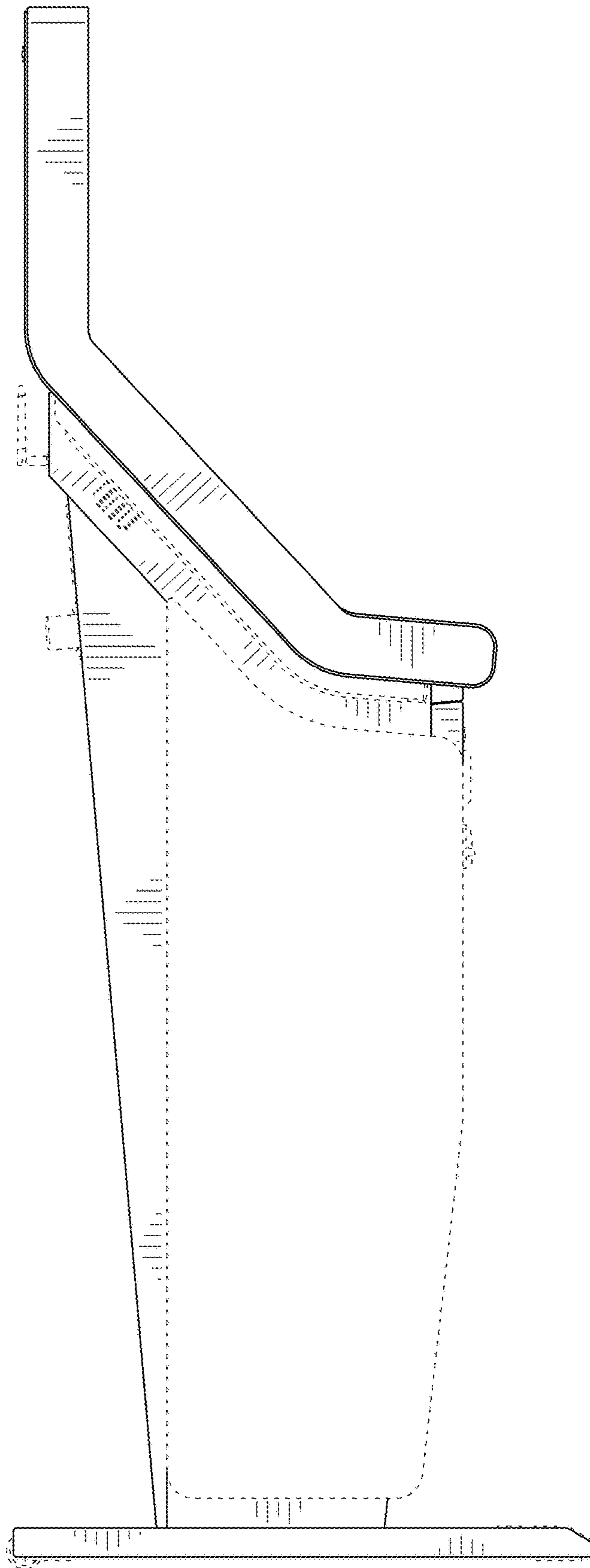
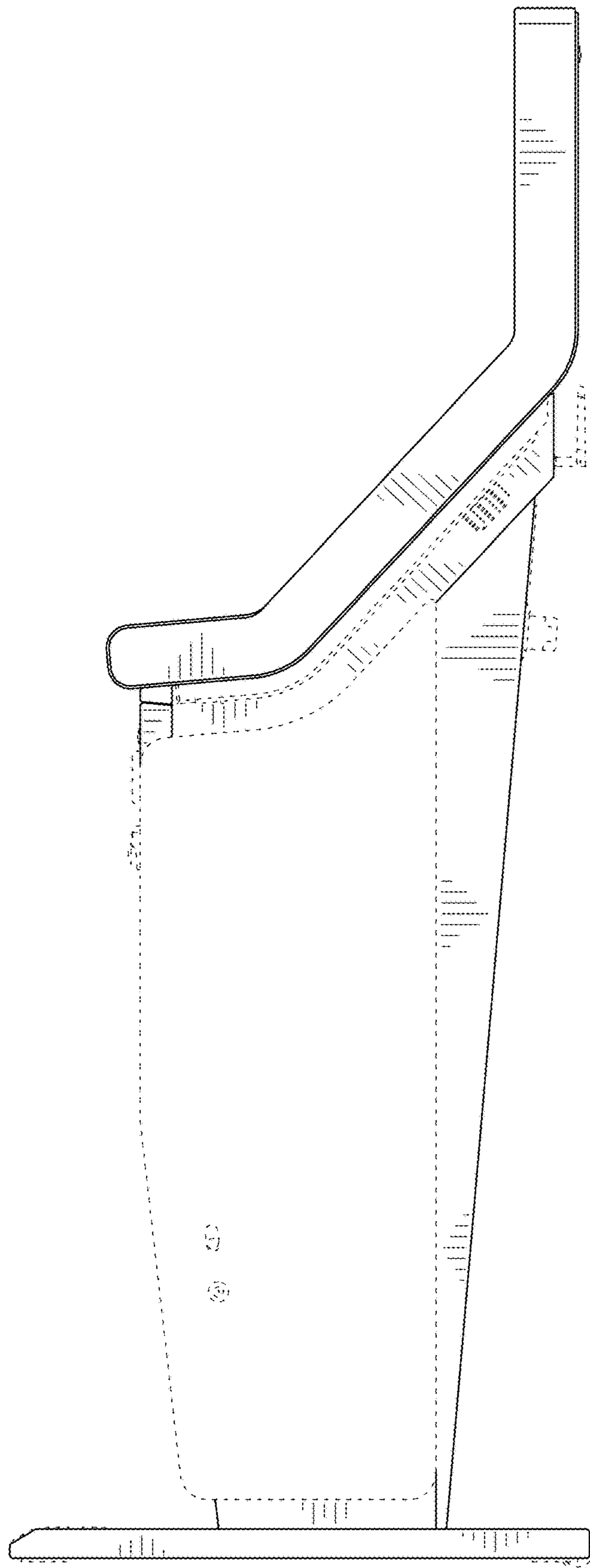


FIG. 4



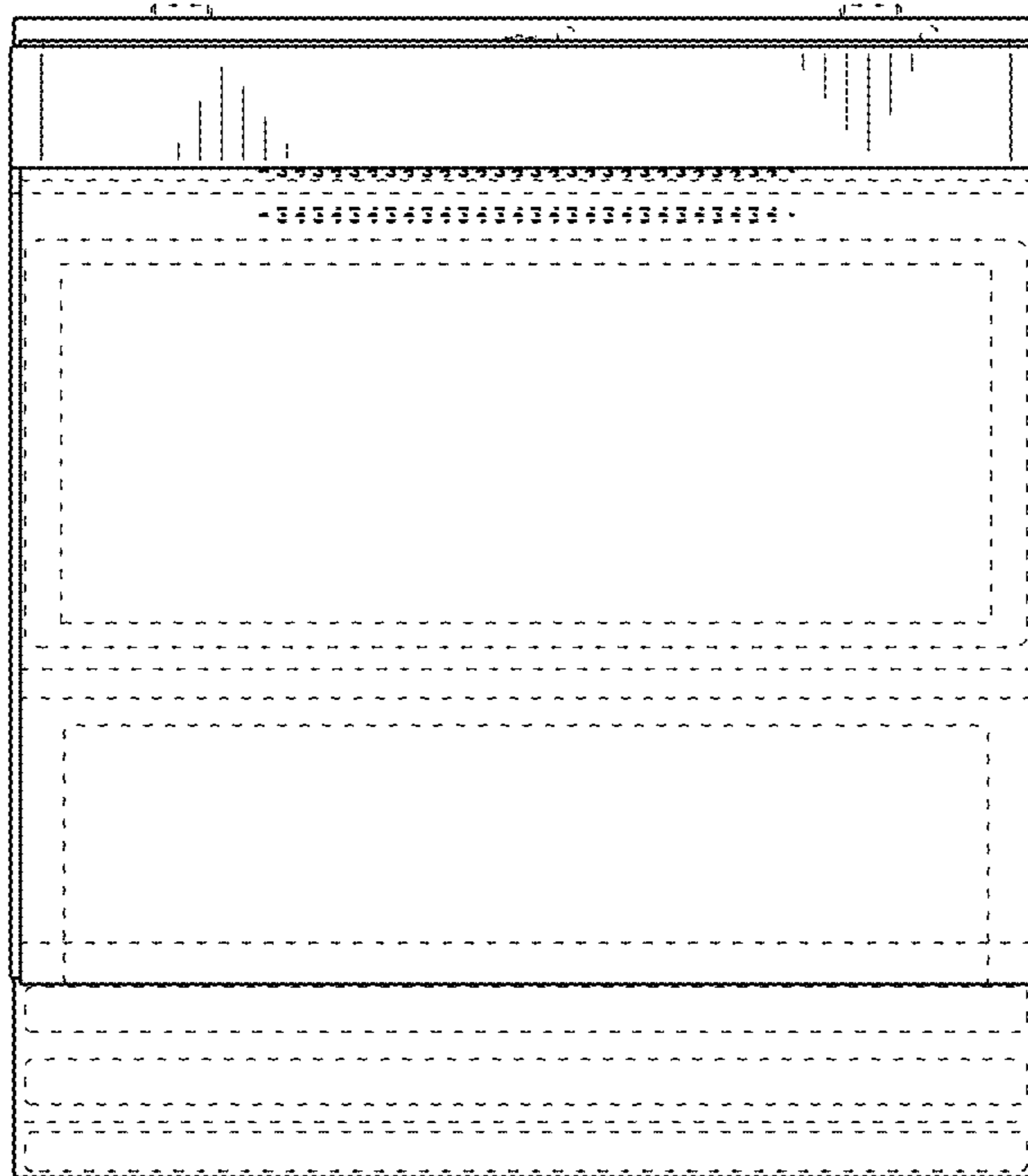


FIG. 6

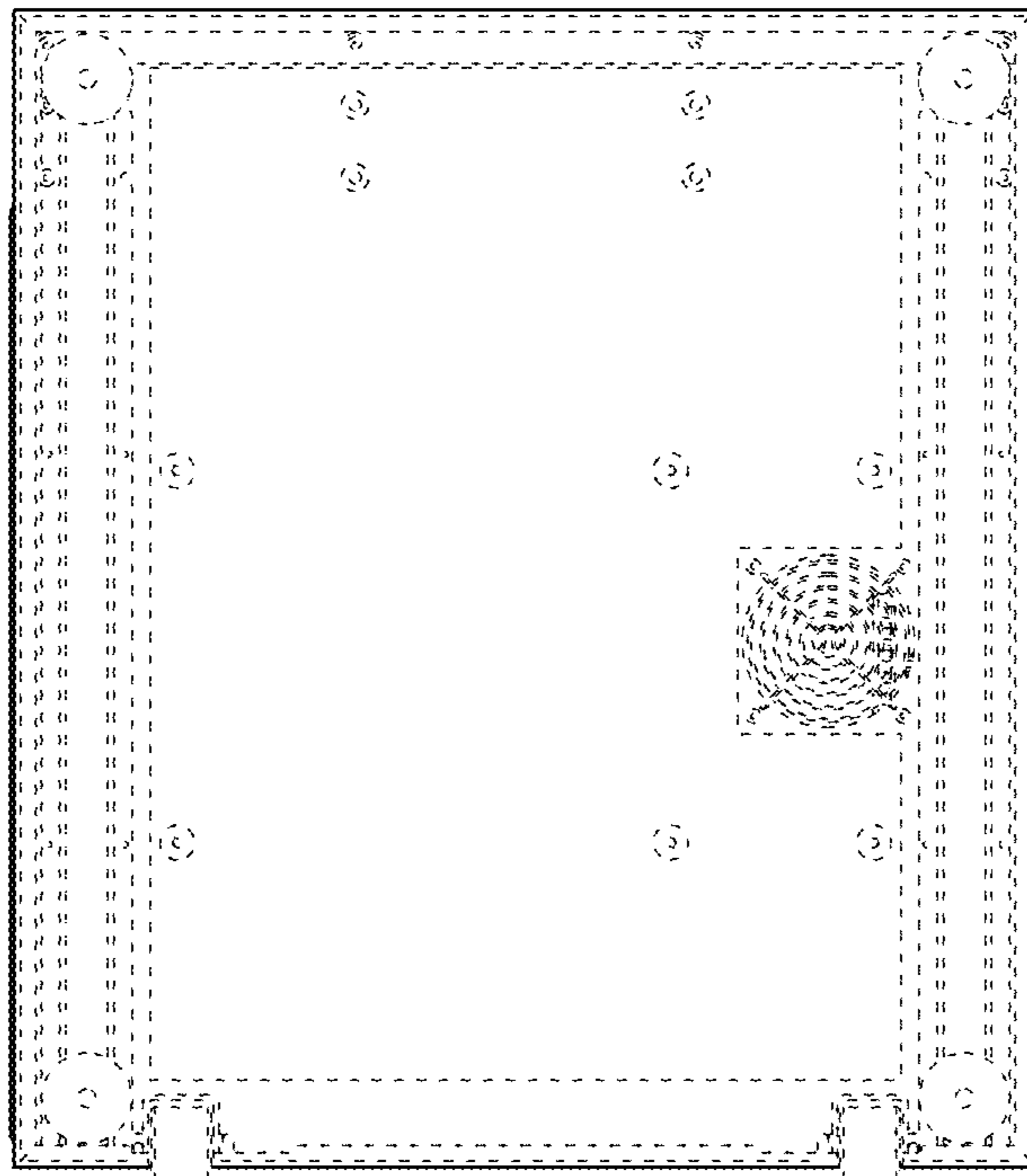


FIG. 7

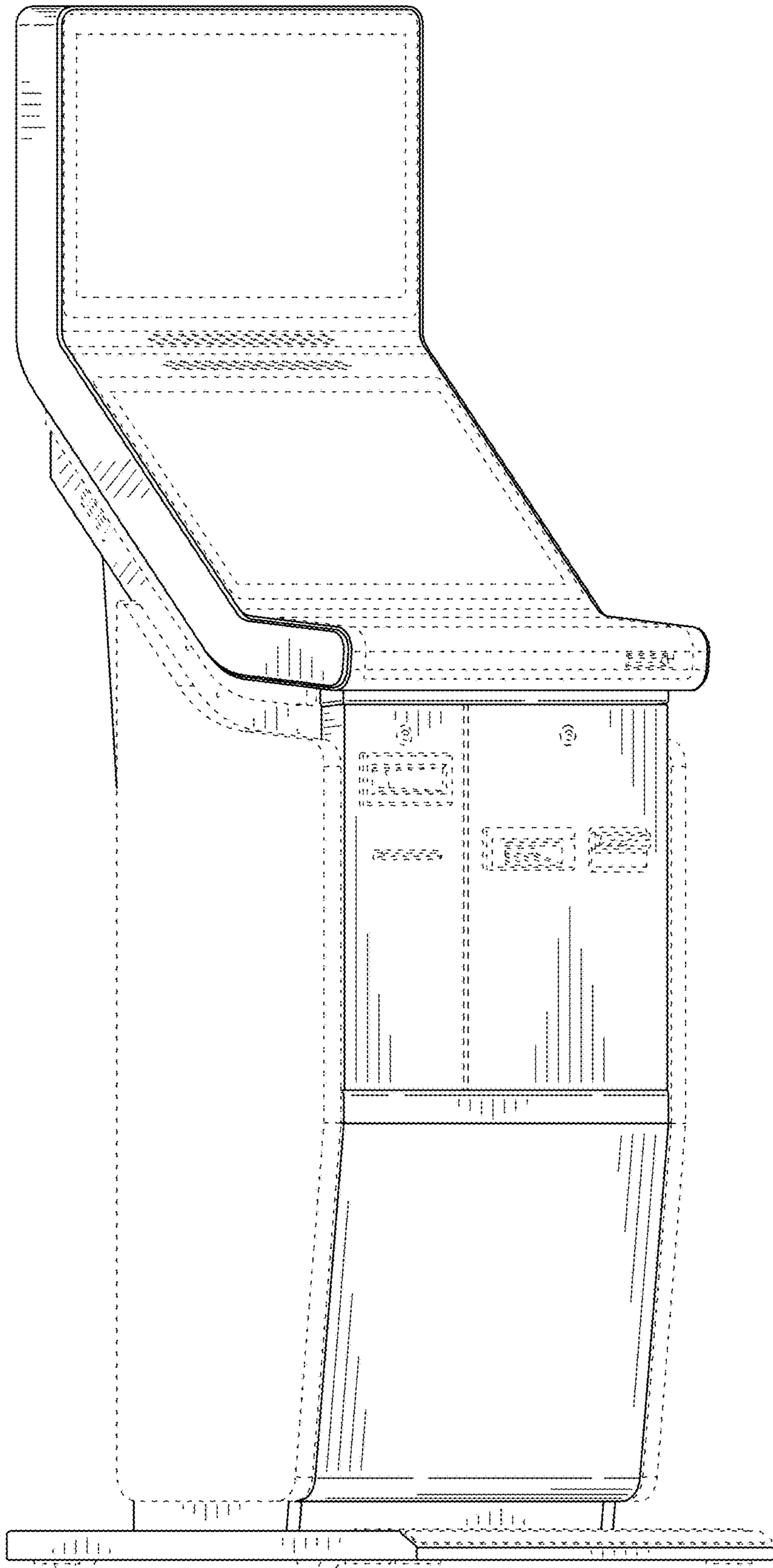


FIG. 8

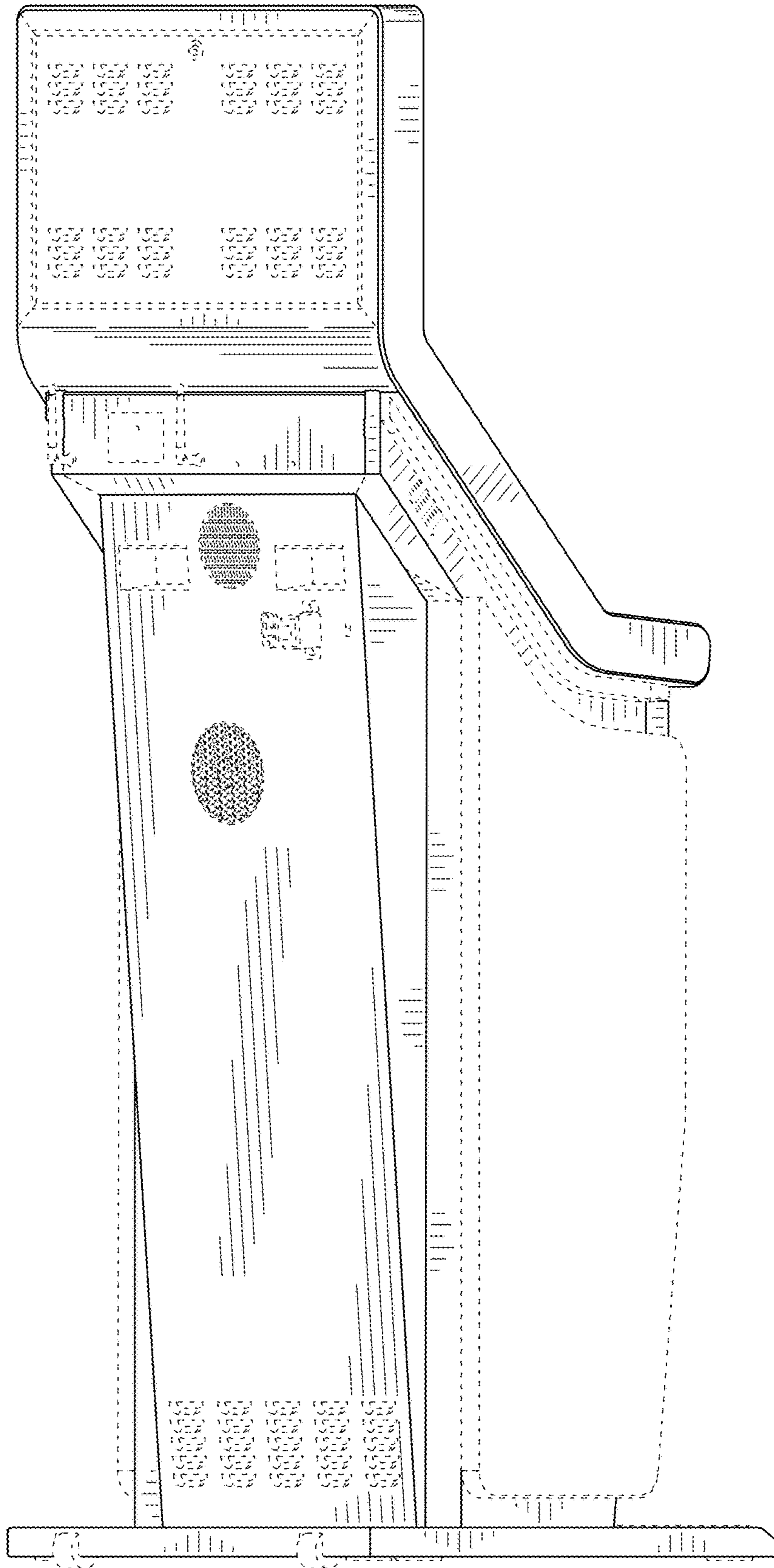


FIG. 9