



US00D862828S

(12) **United States Design Patent**  
**Kendall**

(10) **Patent No.:** **US D862,828 S**

(45) **Date of Patent:** **\*\* Oct. 8, 2019**

- (54) **COVER FOR A CASKET**
- (71) Applicant: **Castek Environmental Products Inc.**,  
Richmond Hill (CA)
- (72) Inventor: **Desmond Maurice Kendall**, Toronto  
(CA)
- (73) Assignee: **CASTEK ENVIRONMENTAL  
PRODUCTS INC.**, Richmond Hill  
(CA)
- (\*\*) Term: **15 Years**
- (21) Appl. No.: **29/619,490**
- (22) Filed: **Sep. 29, 2017**
- (51) **LOC (12) Cl.** ..... **03-01**
- (52) **U.S. Cl.**  
USPC ..... **D99/12**
- (58) **Field of Classification Search**  
USPC ..... D99/1, 2, 3, 4, 6, 7, 8, 9, 10, 11, 12, 13,  
D99/14, 15, 16  
CPC ..... A61G 19/00; A61G 21/00; A61G 17/00;  
A61G 17/001; A61G 17/002; A61G  
17/004; A61G 17/007; A61G 17/04;  
A61G 17/02; A61G 99/00; A62B 33/00  
See application file for complete search history.

- (56) **References Cited**  
**U.S. PATENT DOCUMENTS**  
1,134,719 A \* 4/1915 Benzing ..... A61G 17/00  
27/6  
D59,225 S \* 10/1921 Hollins ..... D99/7  
D75,482 S \* 6/1928 Falck ..... D99/7  
1,779,693 A \* 10/1930 Clarke ..... A61G 17/00  
27/19  
D101,504 S \* 10/1936 Myers ..... D99/7  
D227,562 S \* 7/1973 Pitt ..... D99/1  
D240,640 S \* 7/1976 Clark ..... D99/1  
D309,033 S \* 7/1990 Mohr ..... D27/106

- 4,951,367 A \* 8/1990 Wolfe ..... A61G 17/04  
27/19
- 5,265,923 A \* 11/1993 Paddock ..... E05B 65/0057  
292/336.3
- D355,520 S \* 2/1995 Harrill ..... D99/1
- D356,420 S \* 3/1995 Etzel ..... D99/1
- 5,457,861 A \* 10/1995 Lloyd ..... A61G 17/02  
27/10
- D393,524 S \* 4/1998 Tambussi ..... D99/12
- 5,775,061 A \* 7/1998 Enneking ..... A61G 17/00  
53/445
- D420,192 S \* 2/2000 Cummings ..... D99/1
- D420,193 S \* 2/2000 Cummings ..... D99/1
- D468,072 S \* 12/2002 Weilein ..... D99/1
- D512,194 S \* 11/2005 Draeger ..... D99/1
- D551,425 S \* 9/2007 Layle ..... D99/7
- D559,500 S \* 1/2008 Beaulne ..... D99/8
- D593,725 S \* 6/2009 Schultz ..... D99/15
- D620,224 S \* 7/2010 Houde ..... D99/8
- D622,474 S \* 8/2010 Pulver ..... D99/1
- D622,475 S \* 8/2010 Pulver ..... D99/1

(Continued)

*Primary Examiner* — Barbara Fox  
*Assistant Examiner* — Messina L Smith  
(74) *Attorney, Agent, or Firm* — Stephen E. Zweig

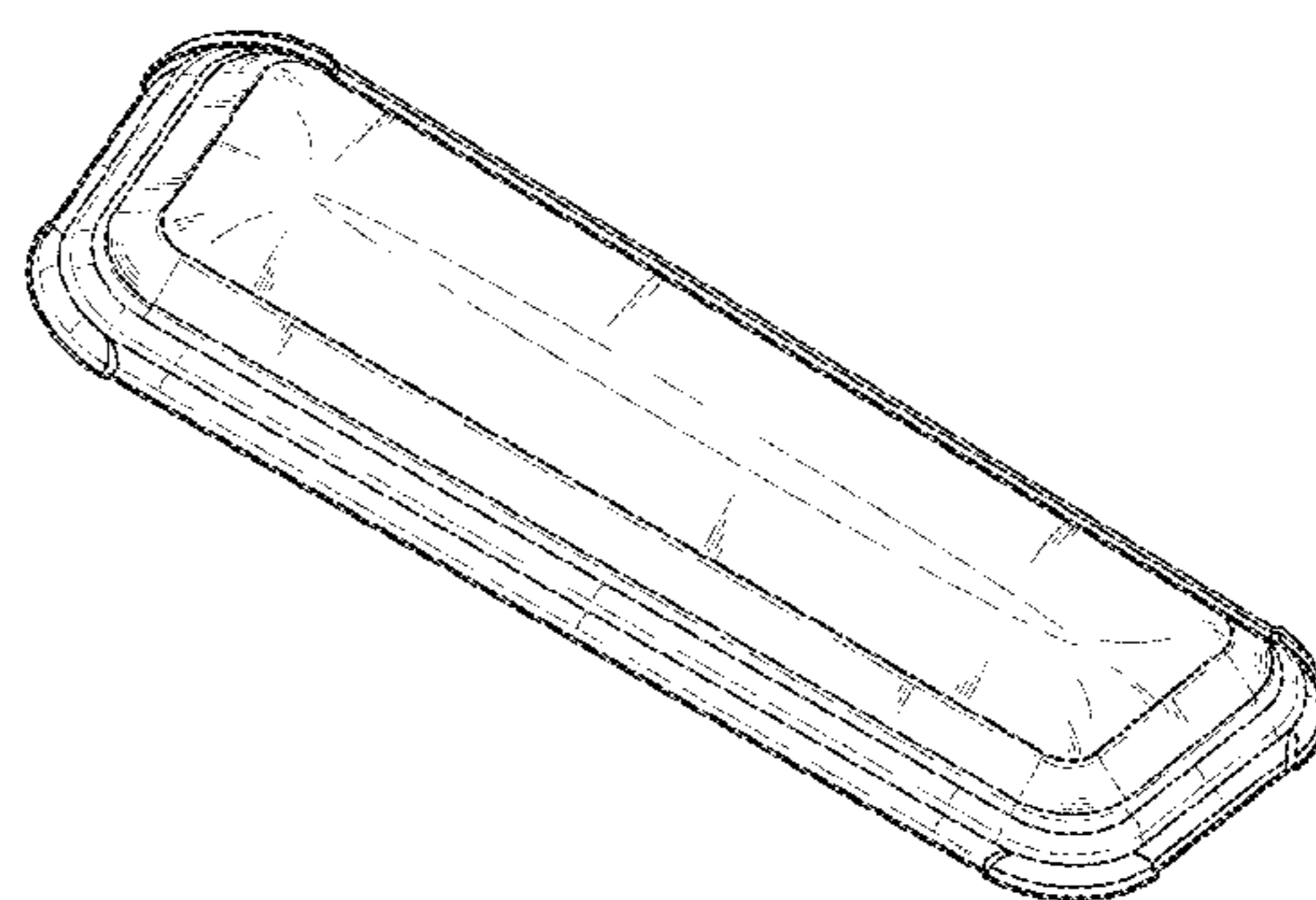
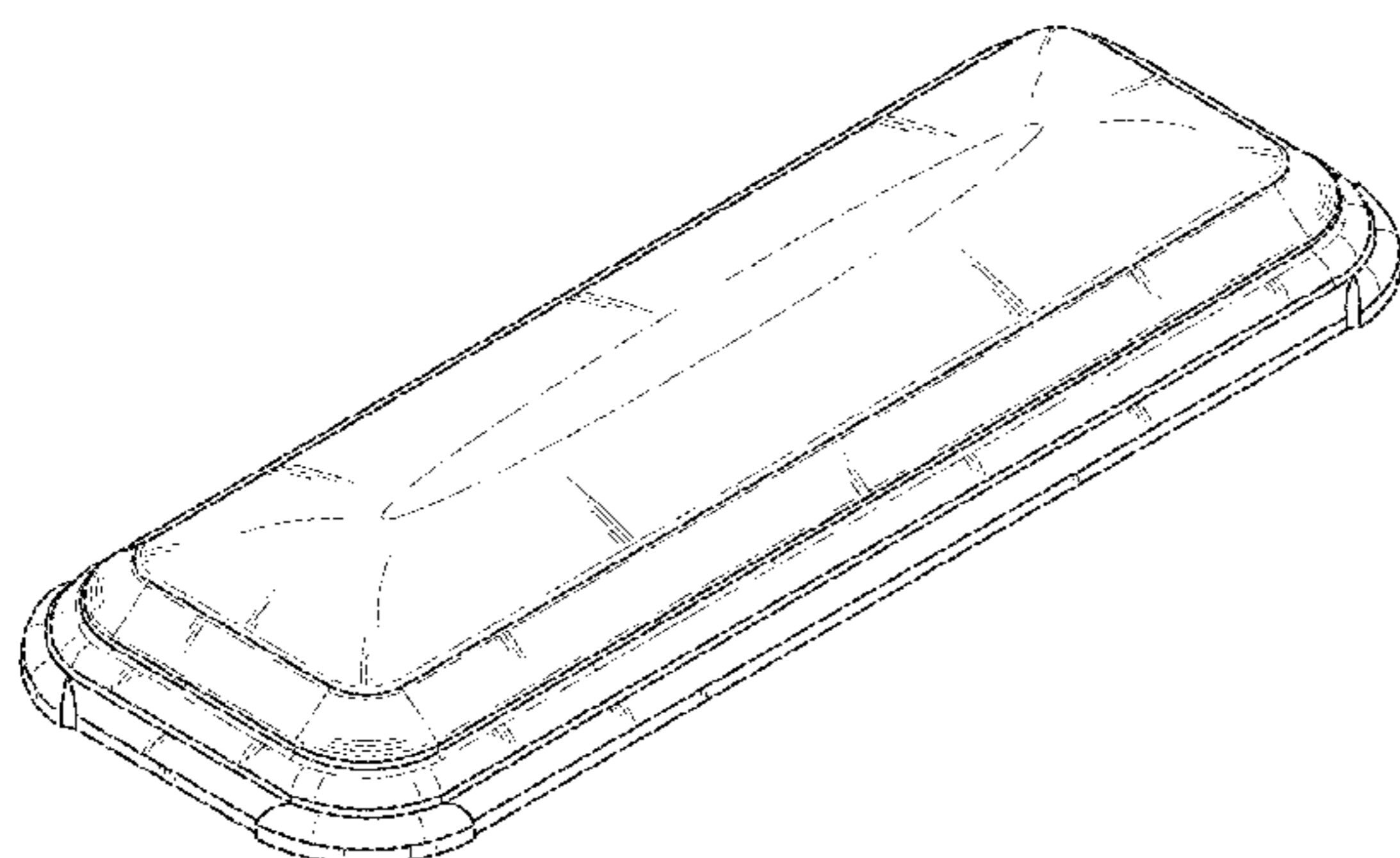
(57) **CLAIM**

The ornamental design for a cover for a casket, as shown and described.

**DESCRIPTION**

FIG. 1 is a top front perspective view of a cover for a casket showing my new design.  
FIG. 2 is a bottom front perspective view thereof;  
FIG. 3 is a top plan view thereof;  
FIG. 4 is a bottom plan view thereof;  
FIG. 5 is a left side elevation view thereof, the right side elevation view being a mirror image; and,  
FIG. 6 is a front side elevation view thereof, the back side elevation view being a mirror image.

**1 Claim, 5 Drawing Sheets**



(56)

**References Cited**

U.S. PATENT DOCUMENTS

D628,763 S \* 12/2010 Pulver ..... D99/1  
D641,945 S \* 7/2011 Henderson ..... D99/1  
D644,812 S \* 9/2011 Longcamp ..... D99/1  
D644,813 S \* 9/2011 Longcamp ..... D99/1  
D650,965 S \* 12/2011 Parker ..... D99/1  
D662,685 S \* 6/2012 Parker ..... D99/1  
D663,915 S \* 7/2012 Skov ..... D99/1  
D756,062 S \* 5/2016 Fernandez ..... D99/1  
D800,412 S \* 10/2017 Ganem ..... D99/12  
D821,678 S \* 6/2018 Womack ..... D99/1  
2010/0327177 A1\* 12/2010 Flynn ..... A61G 19/00  
250/395  
2013/0125357 A1\* 5/2013 Drew ..... A61G 17/0076  
27/6  
2018/0000678 A1\* 1/2018 Davis ..... A61G 17/001

\* cited by examiner

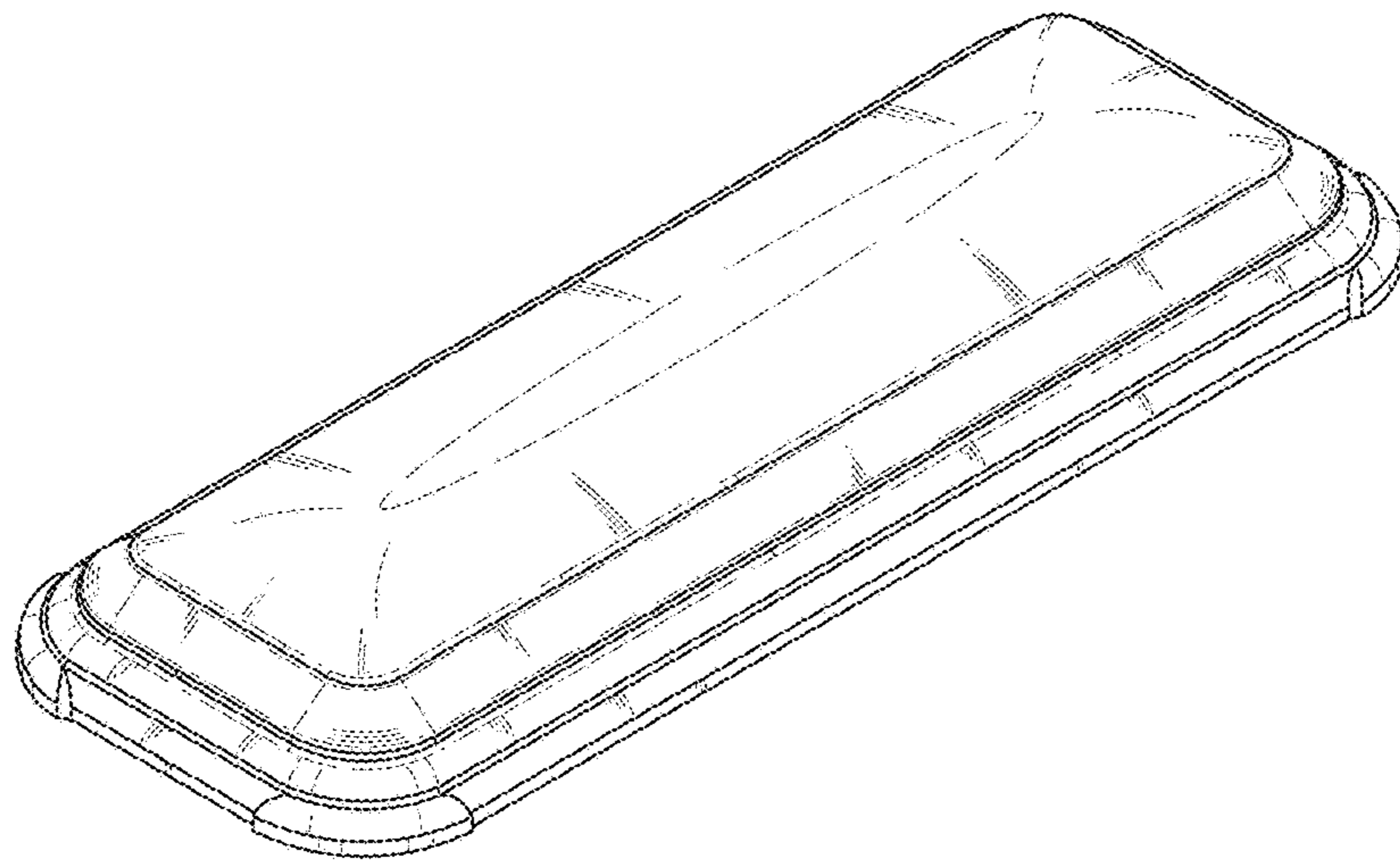


FIG. 1

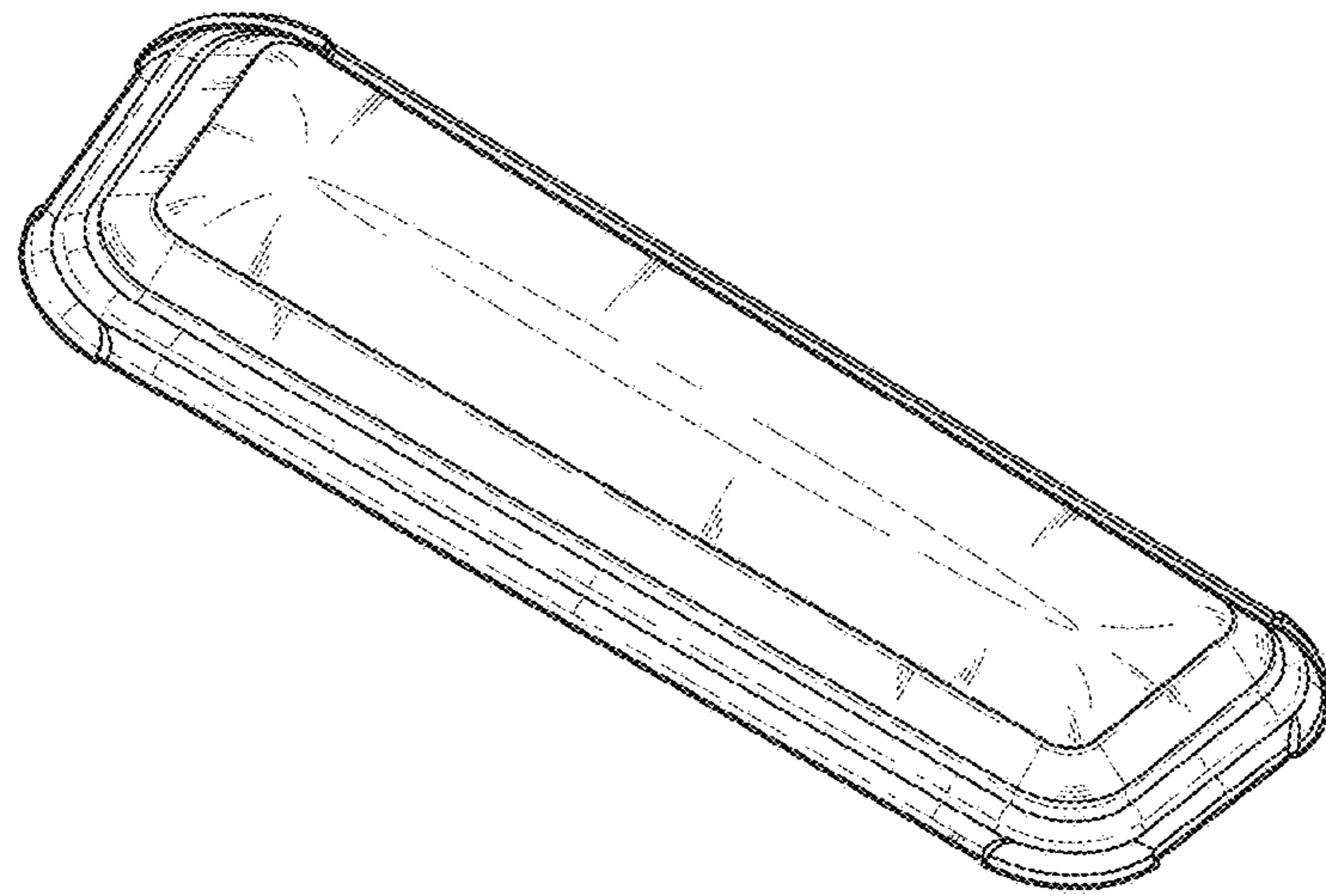


FIG. 2

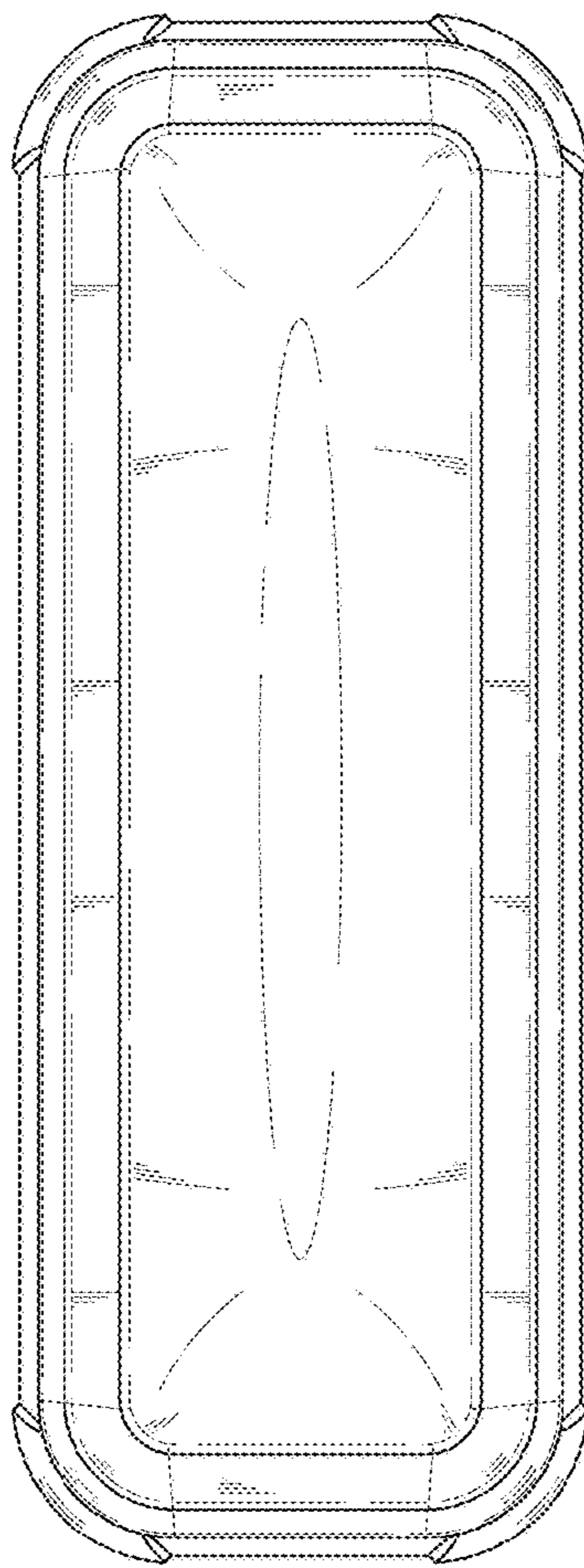


FIG. 3



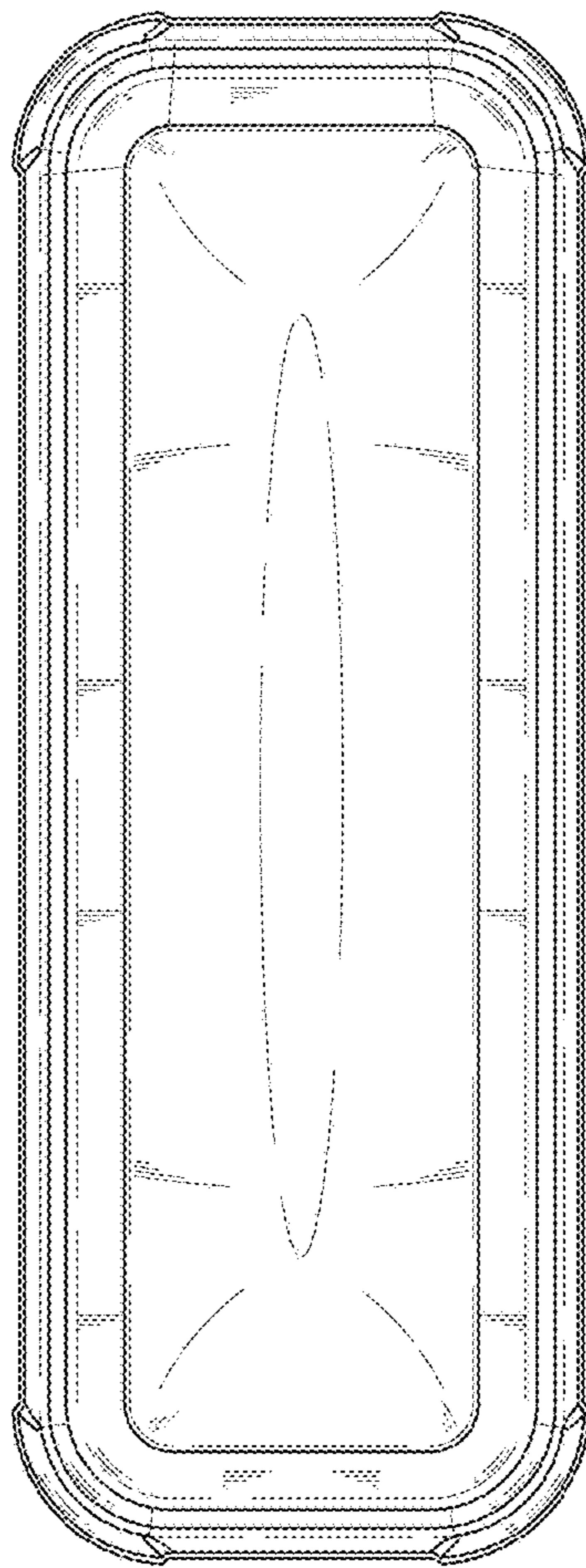


FIG. 4

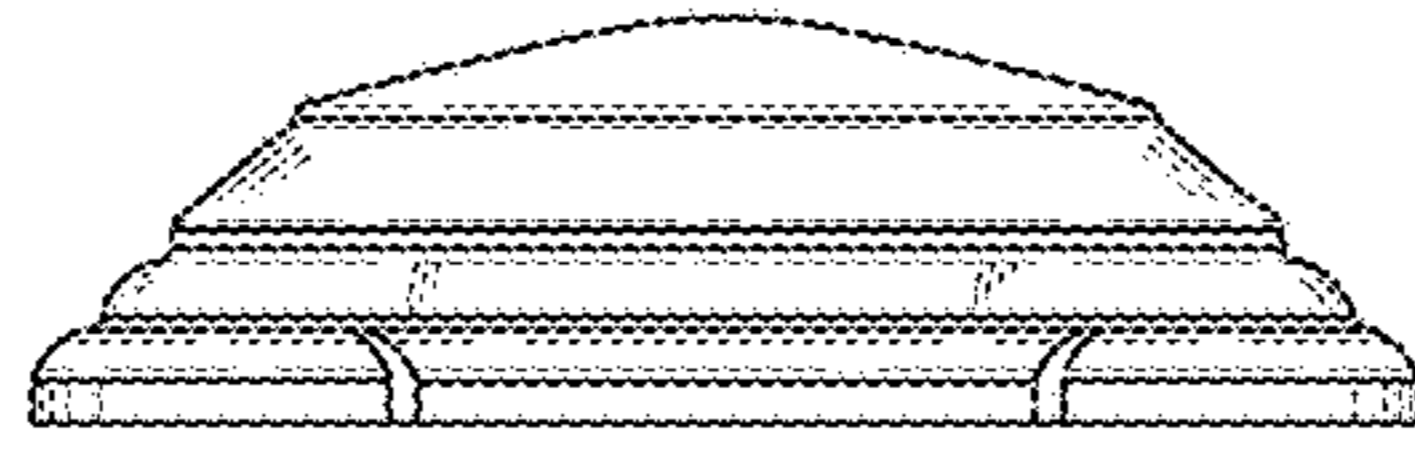


FIG. 5

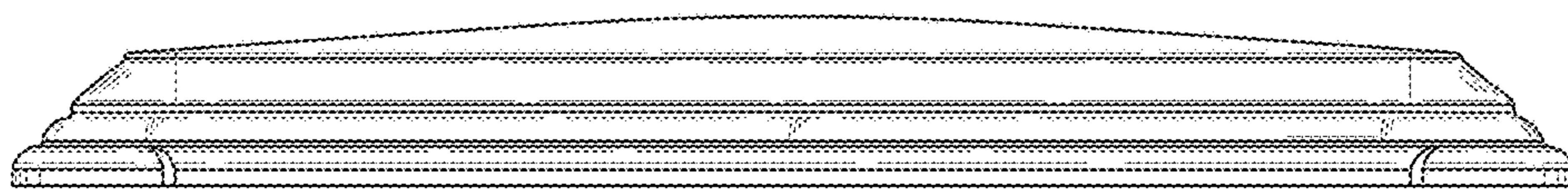


FIG. 6