



US00D862827S

(12) **United States Design Patent**  
**Kendall**

(10) **Patent No.:** **US D862,827 S**

(45) **Date of Patent:** **\*\* Oct. 8, 2019**

(54) **CASKET**

(71) Applicant: **Castek Environmental Products Inc.**,  
Richmond Hill (CA)

(72) Inventor: **Desmond Maurice Kendall**, Toronto  
(CA)

(73) Assignee: **CASTEK ENVIRONMENTAL  
PRODUCTS INC.**, Richmond Hill  
(CA)

(\*\*) Term: **15 Years**

(21) Appl. No.: **29/619,515**

(22) Filed: **Sep. 29, 2017**

(51) **LOC (12) Cl.** ..... **03-01**

(52) **U.S. Cl.**  
USPC ..... **D99/1**

(58) **Field of Classification Search**  
USPC ..... D99/1, 2, 3, 4, 6, 7, 8, 9, 10, 11, 12, 13,  
D99/14, 15, 16

CPC ..... A61G 19/00; A61G 21/00; A61G 17/00;  
A61G 17/001; A61G 17/002; A61G  
17/004; A61G 17/007; A61G 17/04;  
A61G 17/02; A61G 99/00; A62B 33/00  
See application file for complete search history.

(56) **References Cited**

U.S. PATENT DOCUMENTS

- 1,134,719 A \* 4/1915 Benzing ..... A61G 17/00  
27/6
- D59,225 S \* 10/1921 Hollins ..... D99/7
- D75,482 S \* 6/1928 Falck ..... D99/7
- 1,779,693 A \* 10/1930 Clarke ..... A61G 17/00  
27/19
- D89,804 S \* 5/1933 Tracht ..... 27/35
- 1,956,849 A \* 5/1934 Benbough ..... A61G 17/00  
211/85.16

- D101,504 S \* 10/1936 Myers ..... D99/7
- D153,167 S \* 3/1949 Paden ..... 27/2
- 2,508,319 A \* 5/1950 Westenhaver ..... A61G 17/00  
27/35
- 2,511,871 A \* 6/1950 Paden ..... F16J 15/06  
27/17
- 2,625,731 A \* 1/1953 Richmond ..... A61G 17/02  
220/849
- D208,773 S \* 10/1967 Peter ..... D8/DIG. 2
- D227,562 S \* 7/1973 Pitt ..... D99/1
- D240,640 S \* 7/1976 Clark ..... D99/1
- D309,033 S \* 7/1990 Mohr ..... D27/106
- 4,951,367 A \* 8/1990 Wolfe ..... A61G 17/04  
27/19
- 5,265,923 A \* 11/1993 Paddock ..... E05B 65/0057  
292/336.3
- D355,520 S \* 2/1995 Harrill ..... D99/1
- D356,420 S \* 3/1995 Etzel ..... D99/1

(Continued)

*Primary Examiner* — Barbara Fox

*Assistant Examiner* — Messina L Smith

(74) *Attorney, Agent, or Firm* — Stephen E. Zweig

(57) **CLAIM**

The ornamental design for a casket, as shown and described.

**DESCRIPTION**

FIG. 1 is a top front perspective view of a casket showing my new design.

FIG. 2 is a bottom front perspective view thereof.

FIG. 3 is a top plan view thereof.

FIG. 4 is a bottom plan view thereof.

FIG. 5 is a left side elevation view thereof.

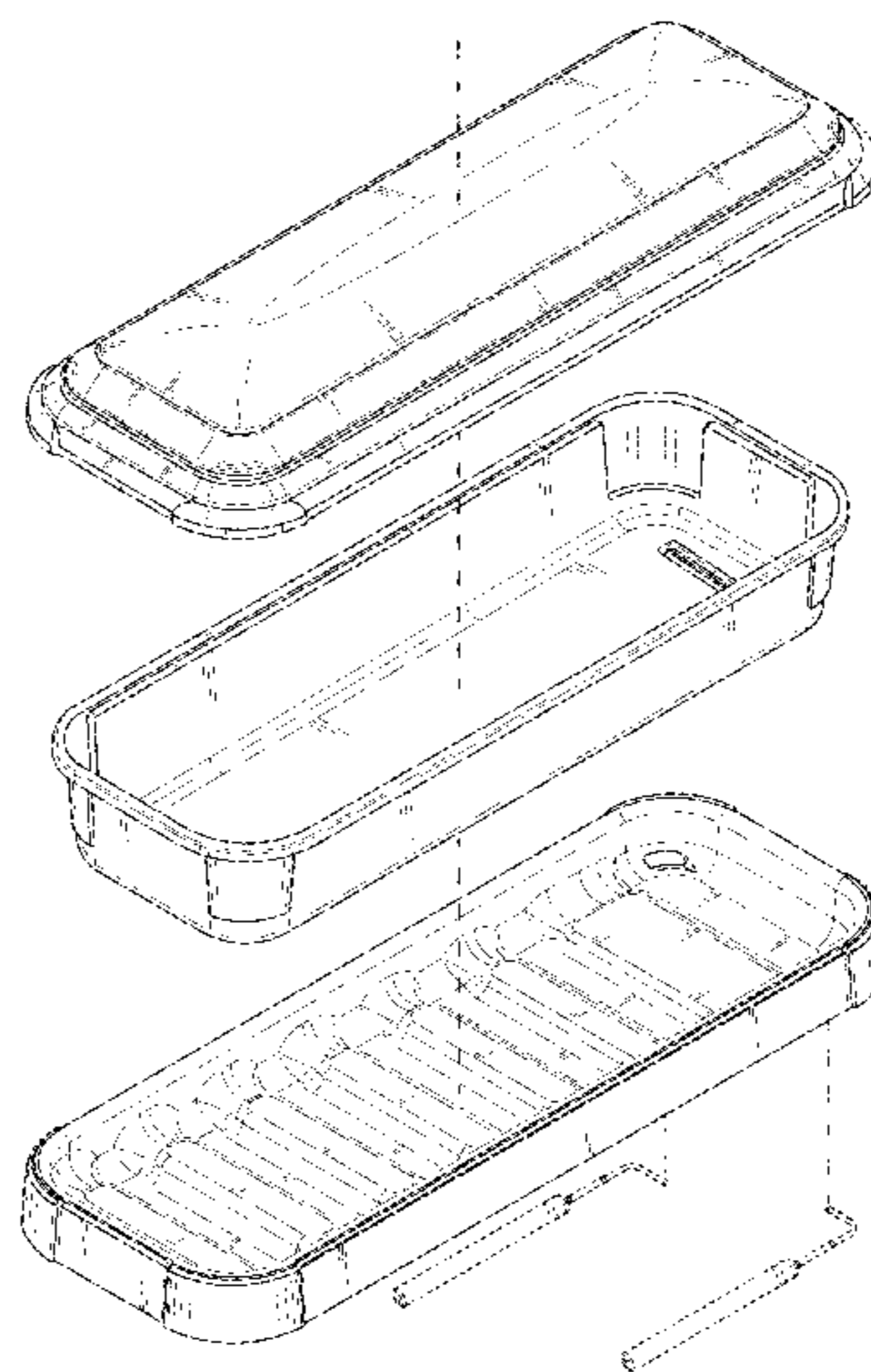
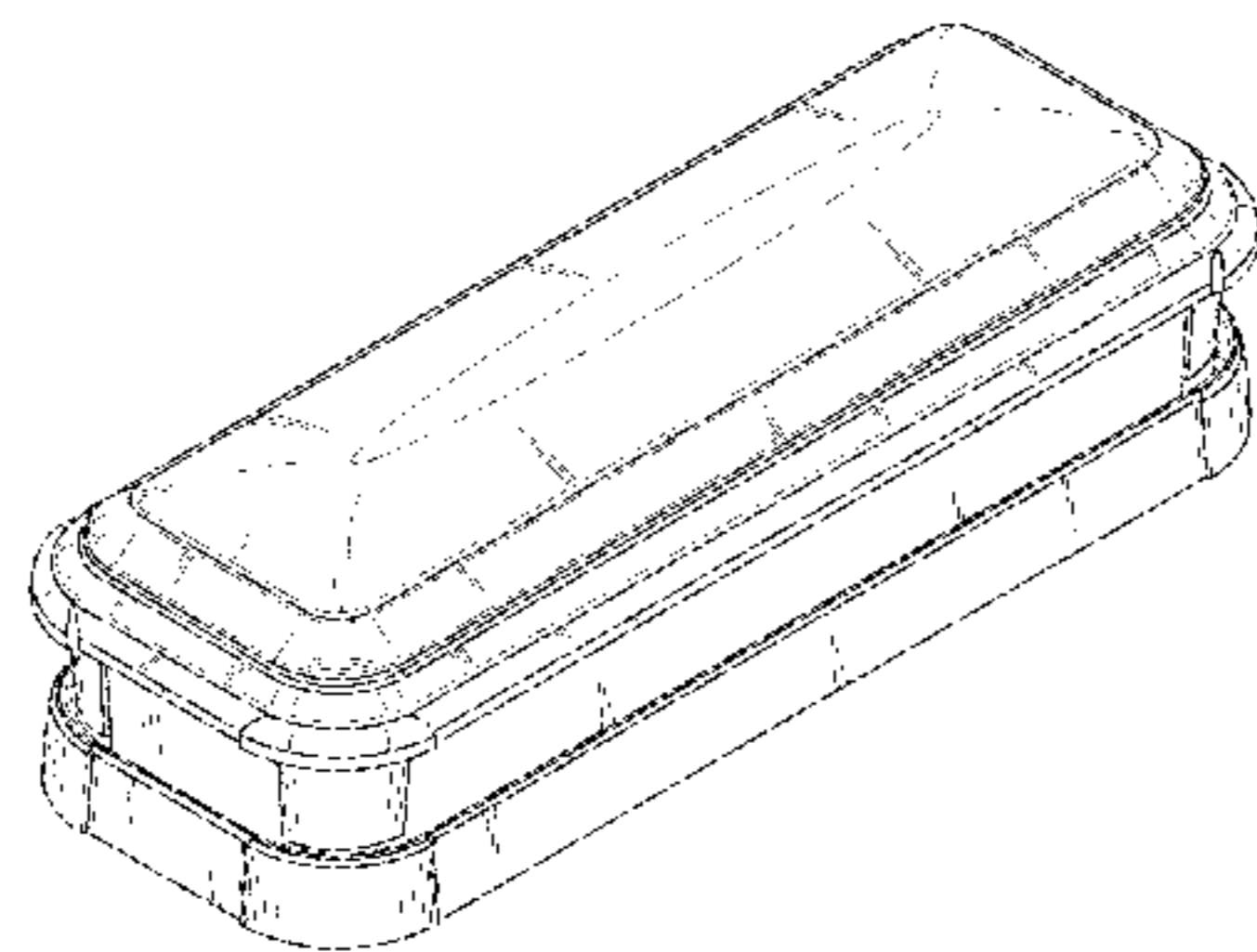
FIG. 6 is a right side elevation view thereof.

FIG. 7 is a rear side elevation view thereof; the front side elevation view is a mirror image; and,

FIG. 8 is an exploded view thereof.

The broken line shown in the drawings depict portions of the casket that form no part of the claimed design.

**1 Claim, 6 Drawing Sheets**



(56)

References Cited

U.S. PATENT DOCUMENTS

5,457,861 A *	10/1995	Lloyd	.....	A61G 17/02	D628,763 S *	12/2010	Pulver	.....	D99/1
					D641,945 S *	7/2011	Henderson	.....	D99/1
5,619,785 A *	4/1997	Tambussi	.....	C23C 4/185	D644,812 S *	9/2011	Longcamp	.....	D99/1
					D644,813 S *	9/2011	Longcamp	.....	D99/1
5,775,061 A *	7/1998	Enneking	.....	A61G 17/00	D650,965 S *	12/2011	Parker	.....	D99/1
					D662,685 S *	6/2012	Parker	.....	D99/1
					D663,915 S *	7/2012	Skov	.....	D99/1
D420,192 S *	2/2000	Cummings	.....	D99/1	D739,636 S *	9/2015	Ledinh	.....	D99/1
D420,193 S *	2/2000	Cummings	.....	D99/1	D756,062 S *	5/2016	Fernandez	.....	D99/1
D468,072 S *	12/2002	Weilein	.....	D99/1	D800,412 S *	10/2017	Ganem	.....	D99/12
D512,194 S *	11/2005	Draeger	.....	D99/1	D821,678 S *	6/2018	Womack	.....	D99/1
D551,425 S *	9/2007	Layle	.....	D99/7	2010/0327177 A1 *	12/2010	Flynn	.....	A61G 19/00
D559,500 S *	1/2008	Beaulne	.....	D99/8					250/395
D593,725 S *	6/2009	Schultz	.....	D99/15	2012/0042488 A1 *	2/2012	Hsu	.....	A61G 17/0073
D620,224 S *	7/2010	Houde	.....	D99/8					27/4
D622,474 S *	8/2010	Pulver	.....	D99/1	2013/0125357 A1 *	5/2013	Drew	.....	A61G 17/0076
D622,475 S *	8/2010	Pulver	.....	D99/1					27/6
					2018/0000678 A1 *	1/2018	Davis	.....	A61G 17/001

\* cited by examiner

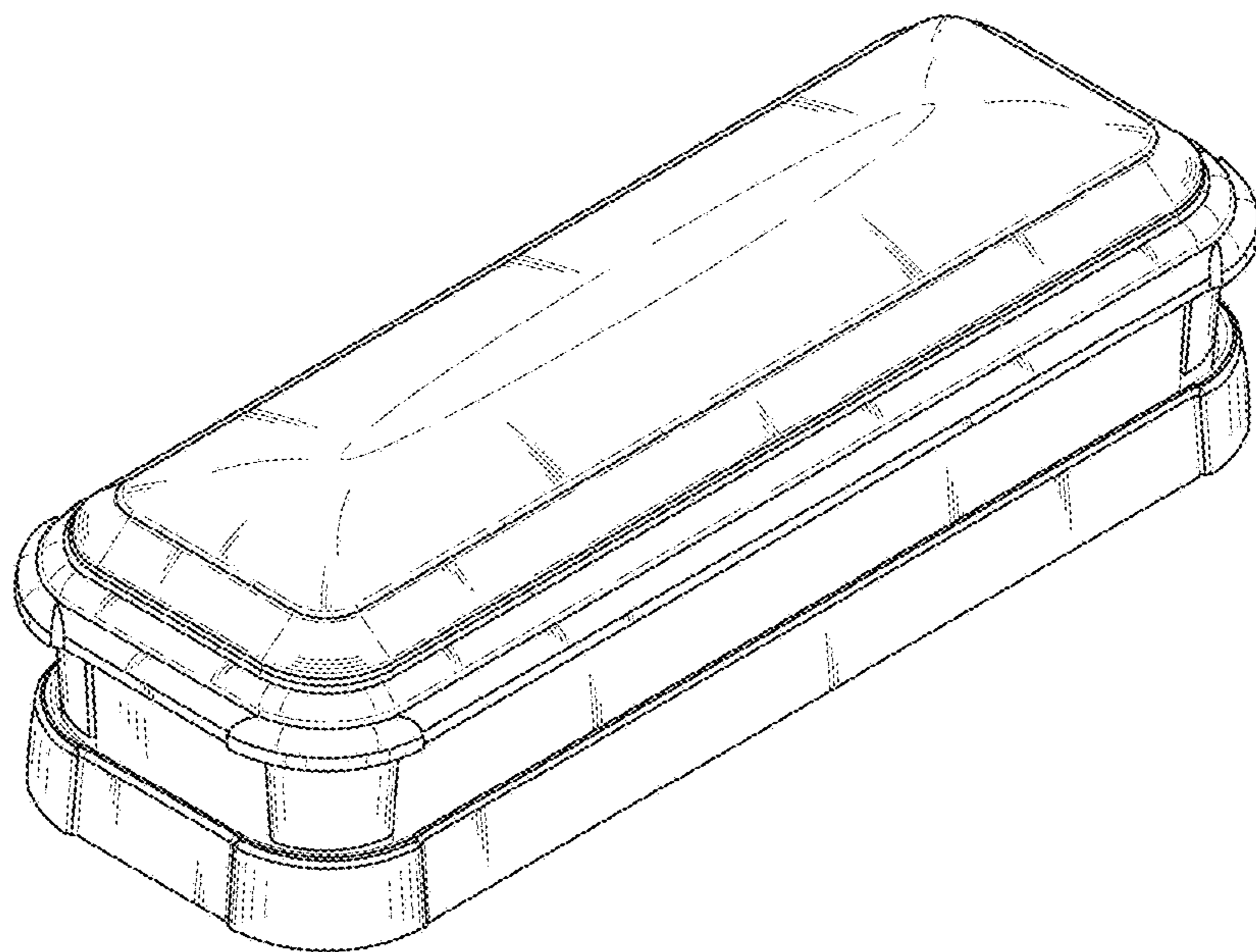


FIG. 1

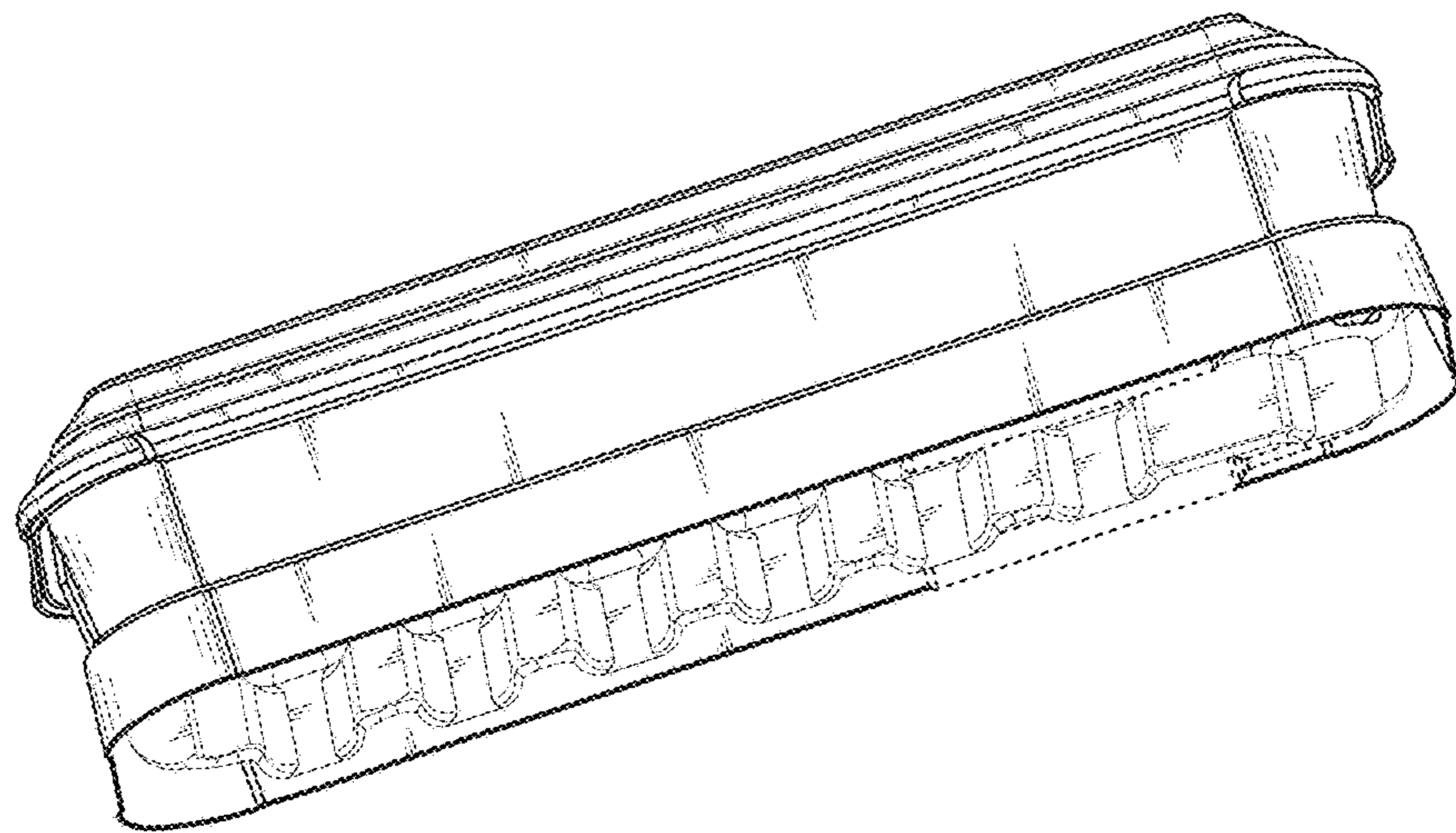


FIG. 2



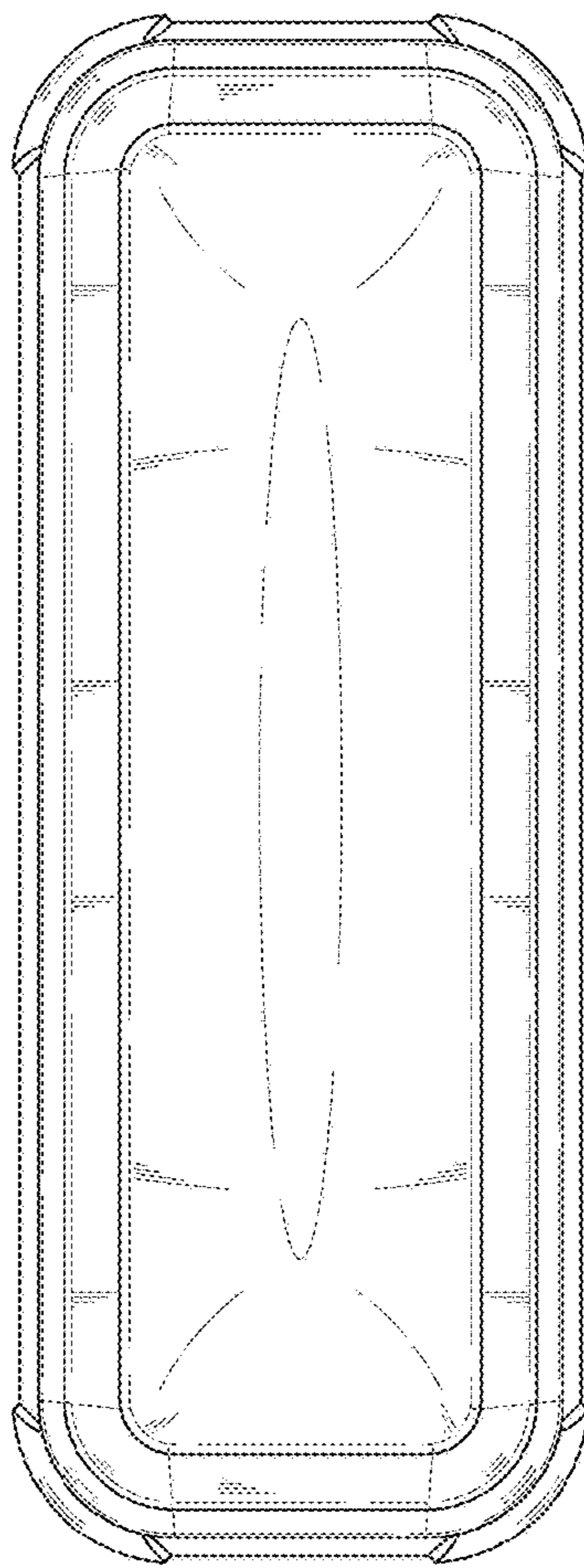


FIG. 3

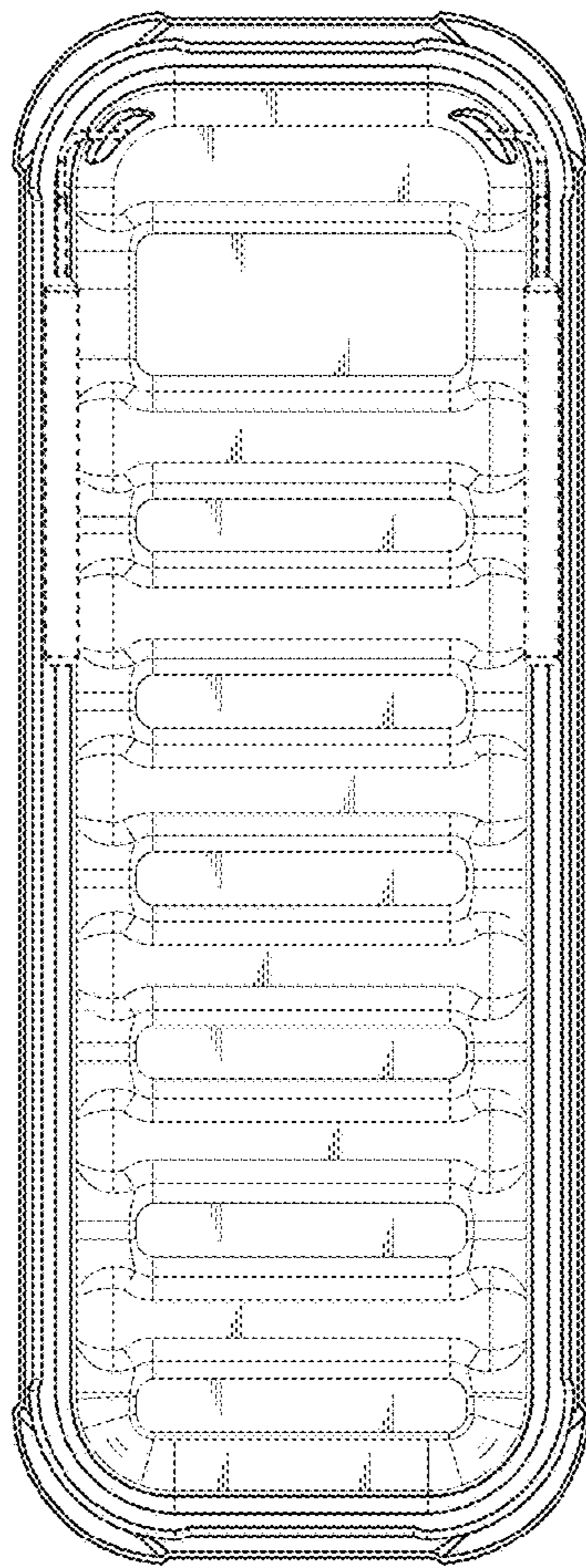


FIG. 4

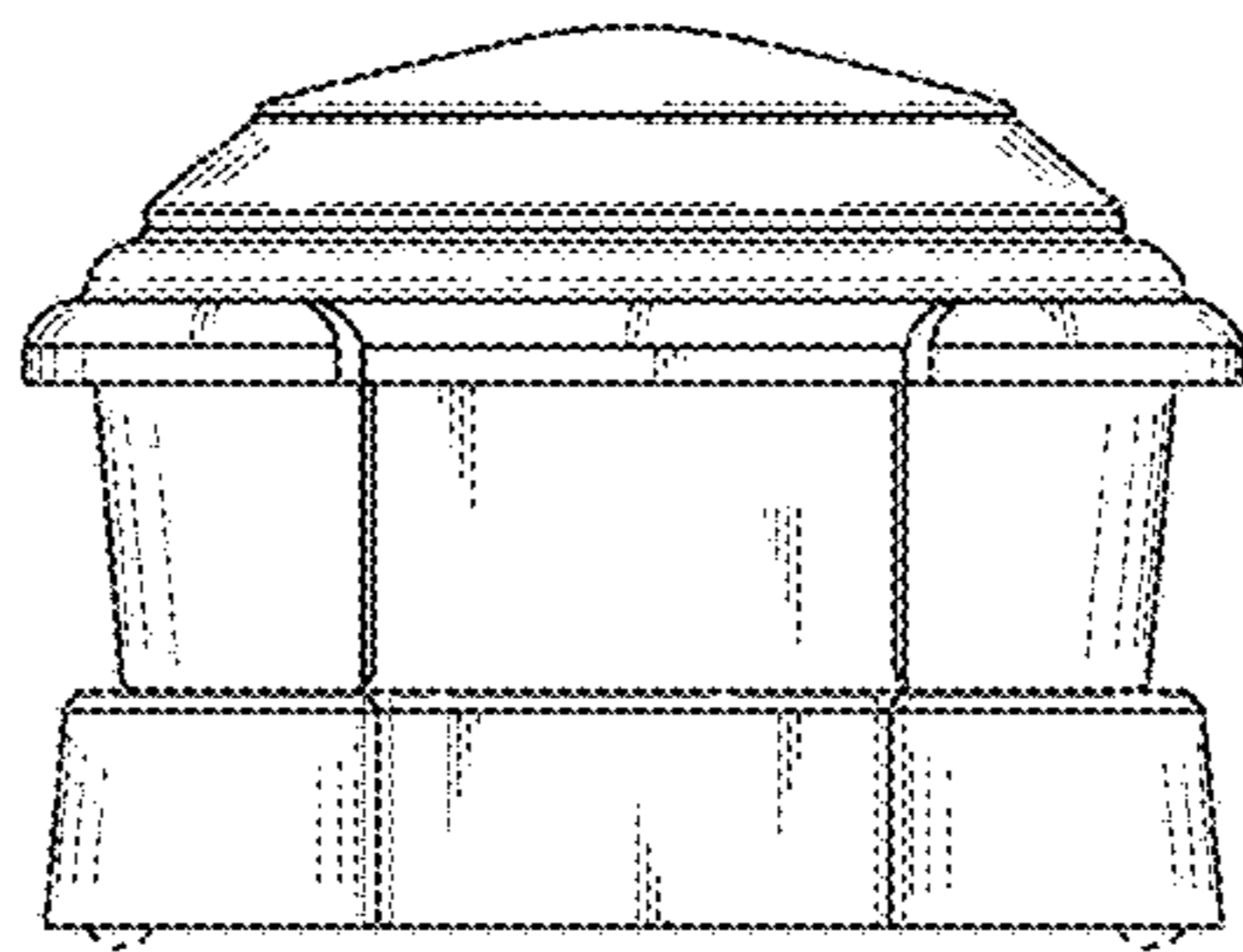


FIG. 5

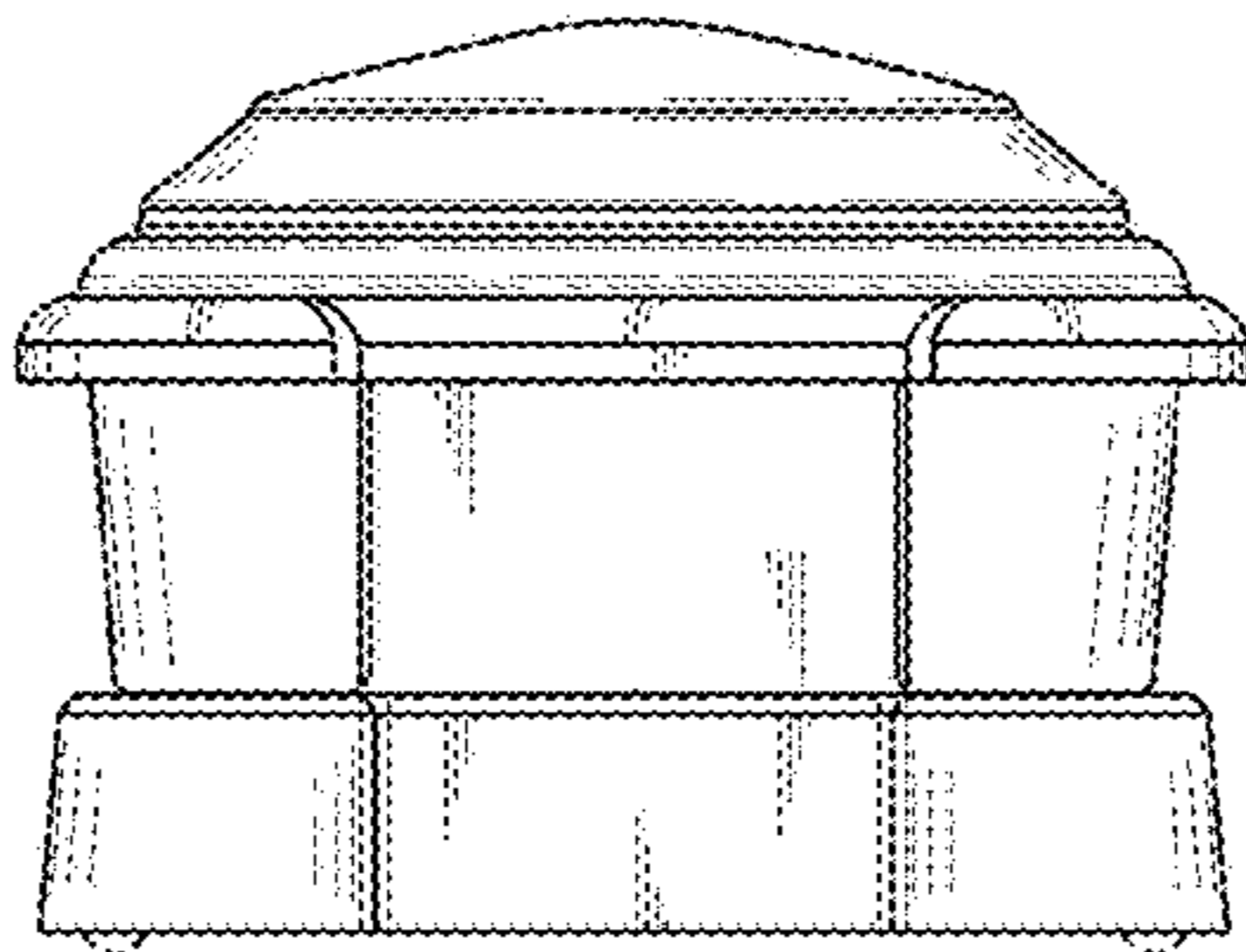


FIG. 6

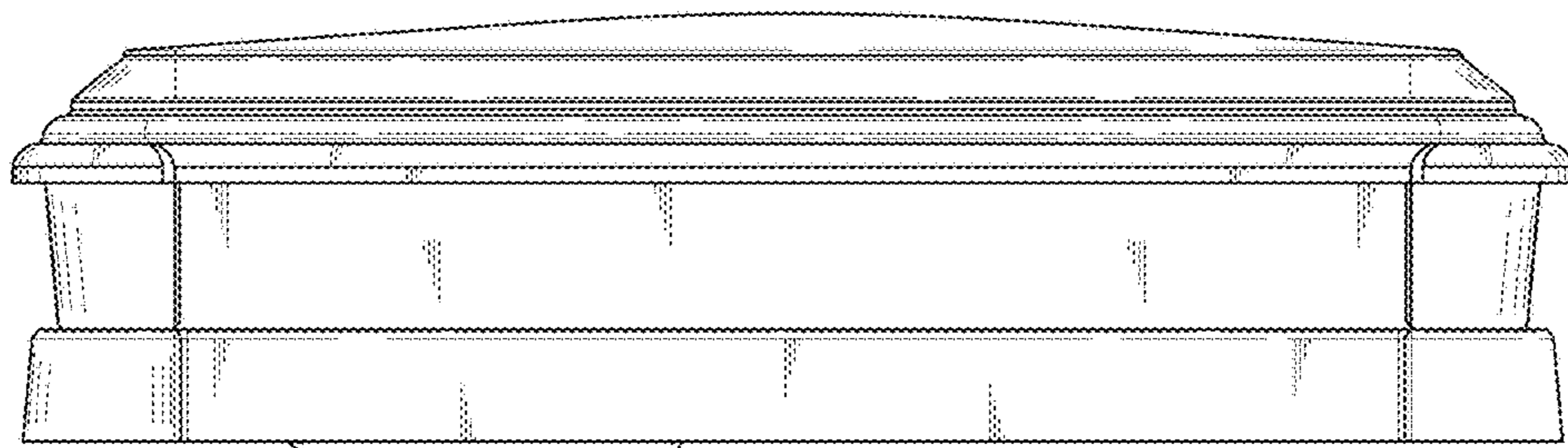


FIG. 7

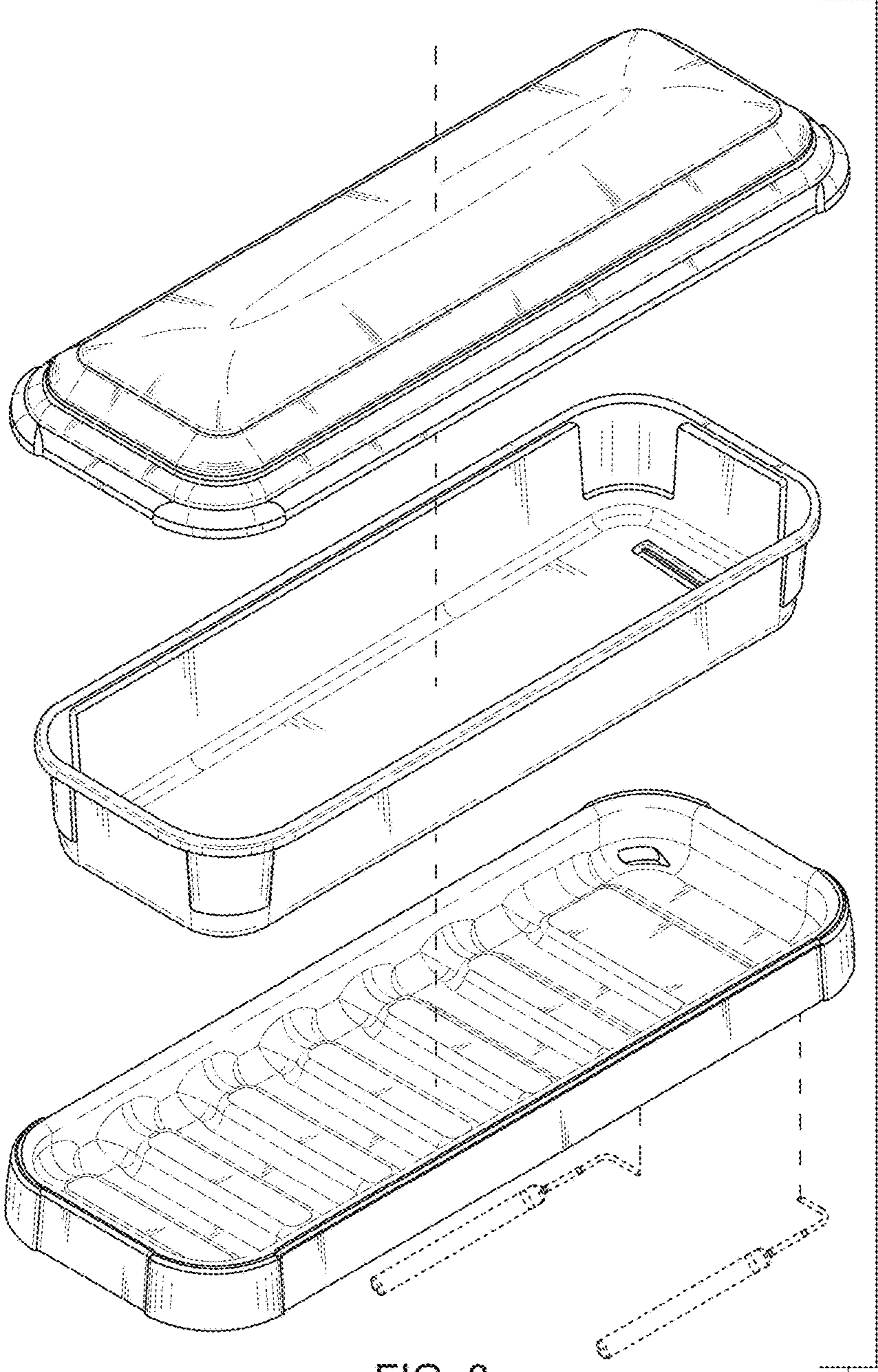


FIG. 8