

US00D862825S

(12) **United States Design Patent** (10) **Patent No.:** **US D862,825 S**
Angel (45) **Date of Patent:** **** Oct. 8, 2019**

- (54) **IMPLEMENT LIFT**
- (71) Applicant: **Bruce A. Angel**, Stokesdale, NC (US)
- (72) Inventor: **Bruce A. Angel**, Stokesdale, NC (US)
- (73) Assignee: **CAMCO Manufacturing, Inc.**, Greensboro, NC (US)
- (**) Term: **15 Years**
- (21) Appl. No.: **29/635,263**
- (22) Filed: **Jan. 30, 2018**

7,219,915	B2	5/2007	Christensen	
7,267,253	B2	9/2007	McCoy et al.	
7,766,094	B2	8/2010	Hubscher et al.	
7,975,776	B2	7/2011	Chimento et al.	
8,950,760	B1 *	2/2015	Davis	B62B 3/02 254/133 R
D732,788	S *	6/2015	Drummond	D34/33
D779,766	S *	2/2017	Dahlheimer	D34/28
D779,767	S *	2/2017	Dahlheimer	D34/28
2007/0131636	A1 *	6/2007	Spitsbergen	B66C 23/208 212/179
2011/0253955	A1 *	10/2011	Gann	B66F 3/22 254/10 R
2014/0191171	A1 *	7/2014	Lin	B66F 5/04 254/2 B
2017/0029254	A1 *	2/2017	Jorgensen	B66F 7/10

Related U.S. Application Data

- (63) Continuation-in-part of application No. 15/147,136, filed on May 5, 2016, now abandoned.
- (51) **LOC (12) Cl.** **12-05**
- (52) **U.S. Cl.**
USPC **D34/28**
- (58) **Field of Classification Search**
USPC D34/28, 32, 33
CPC .. B66F 5/04; B66F 5/00; B66F 7/0641; B66F 7/0625; B66F 7/08; B66C 23/48; A61G 7/10; A61G 7/14
See application file for complete search history.

FOREIGN PATENT DOCUMENTS

FR	2989033	5/2014
GB	2234722	2/1991

* cited by examiner

Primary Examiner — Cynthia Ramirez
(74) *Attorney, Agent, or Firm* — Tuggle Duggins P.A.;
Blake P. Hurt

(57) **CLAIM**

The ornamental design for an implement lift, as shown and described.

(56) **References Cited**

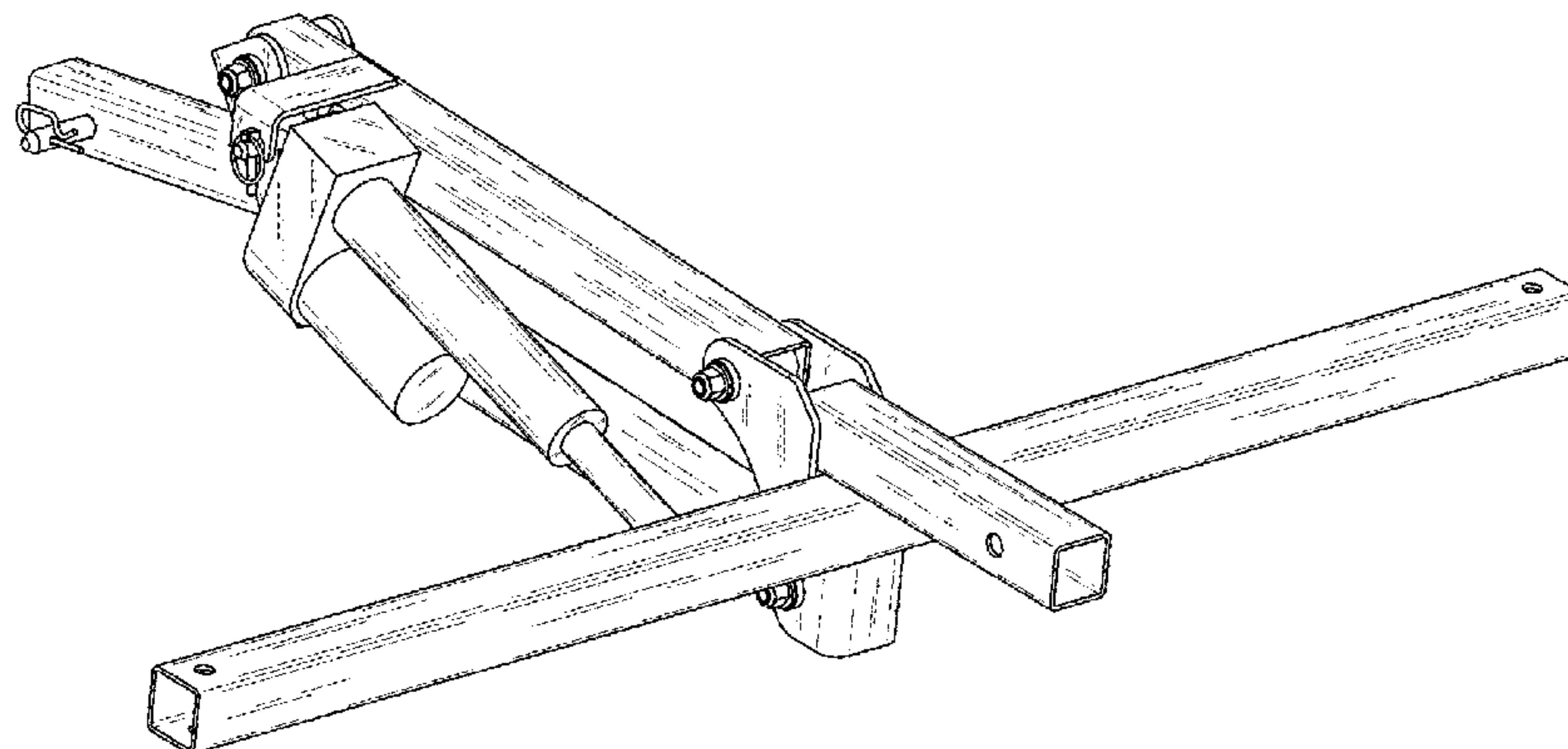
U.S. PATENT DOCUMENTS

4,915,276	A	4/1990	Devito	
5,226,657	A	7/1993	Dolphin	
5,746,275	A	5/1998	Cross et al.	
6,155,588	A	12/2000	Maxey	
6,257,347	B1	7/2001	Campisi	
D475,829	S *	6/2003	DiStaulo	D34/28
D495,107	S *	8/2004	Thurm	D34/28
6,796,384	B1	9/2004	Potter	
6,814,366	B2	11/2004	McCoy et al.	
7,093,845	B1	8/2006	Fast	

DESCRIPTION

FIG. 1 is a top, front, left side perspective view of an implement lift showing my new design;
FIG. 2 is a left side elevational view thereof;
FIG. 3 is a front elevational view thereof;
FIG. 4 is a right side elevational view thereof;
FIG. 5 is a rear elevational view thereof;
FIG. 6 is a top plan view thereof; and,
FIG. 7 is a bottom plan view thereof.

1 Claim, 7 Drawing Sheets



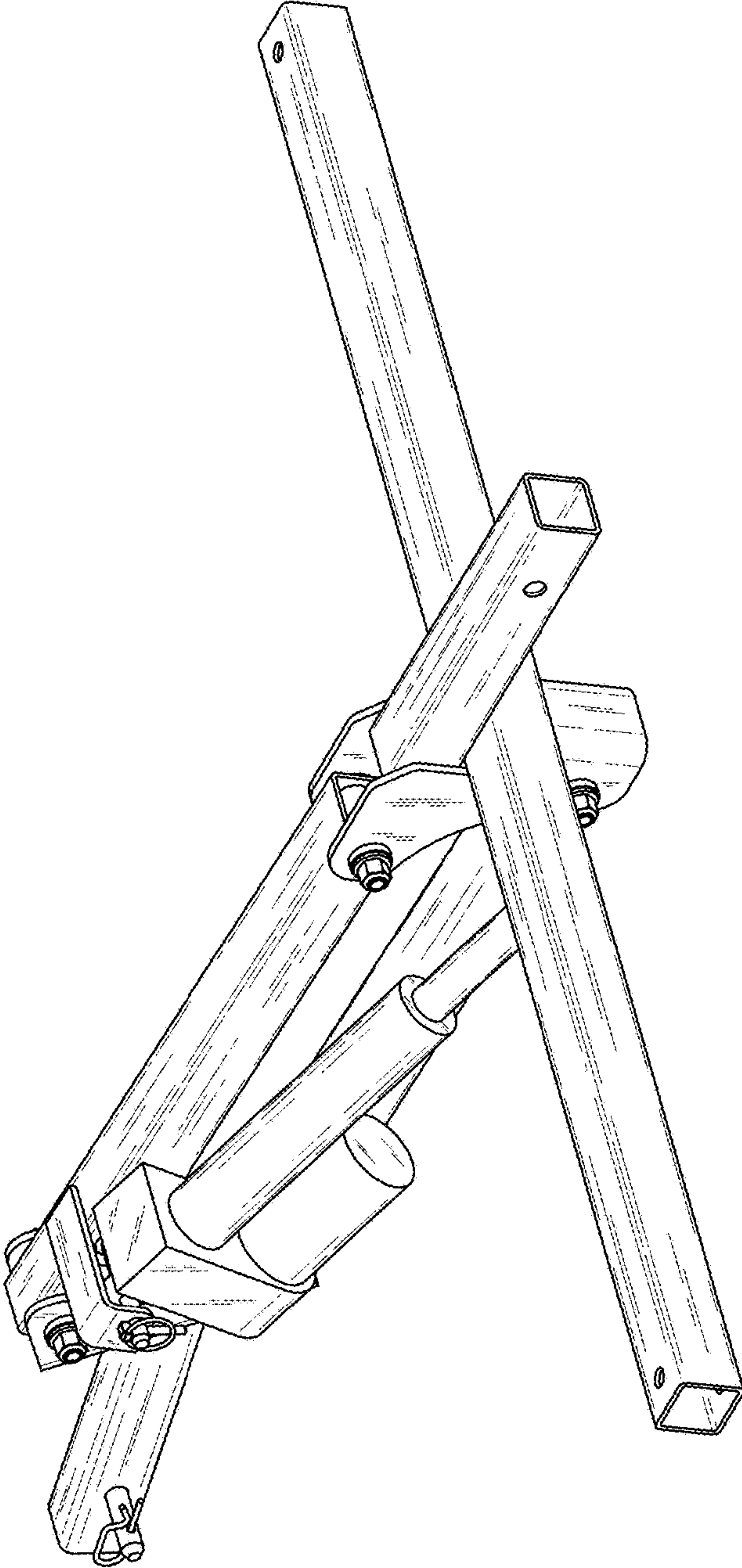


FIG. 1

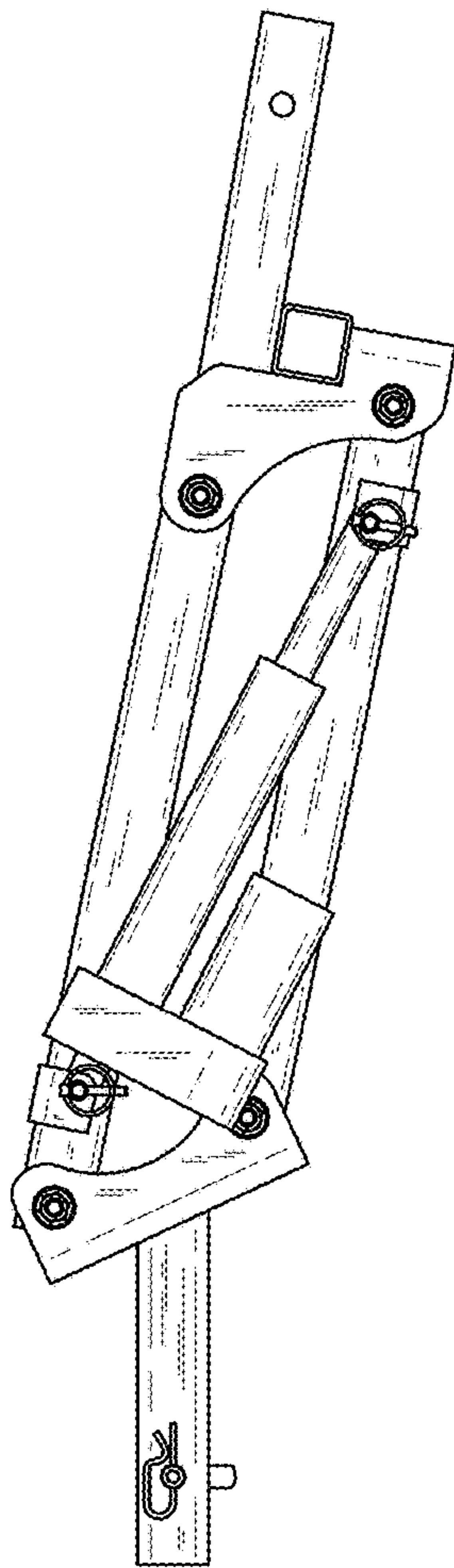


FIG. 2

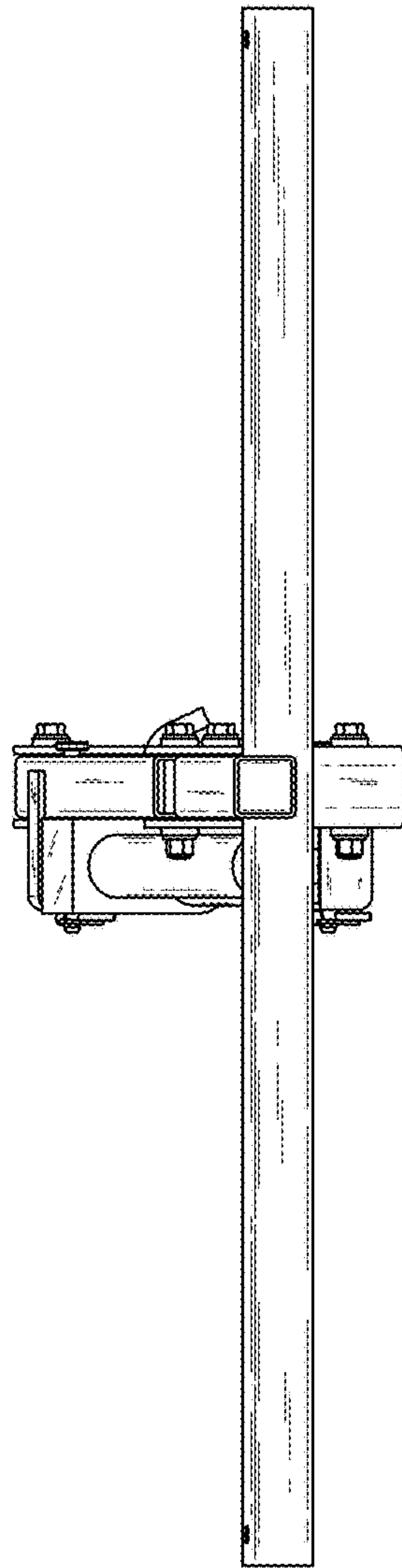


FIG. 3

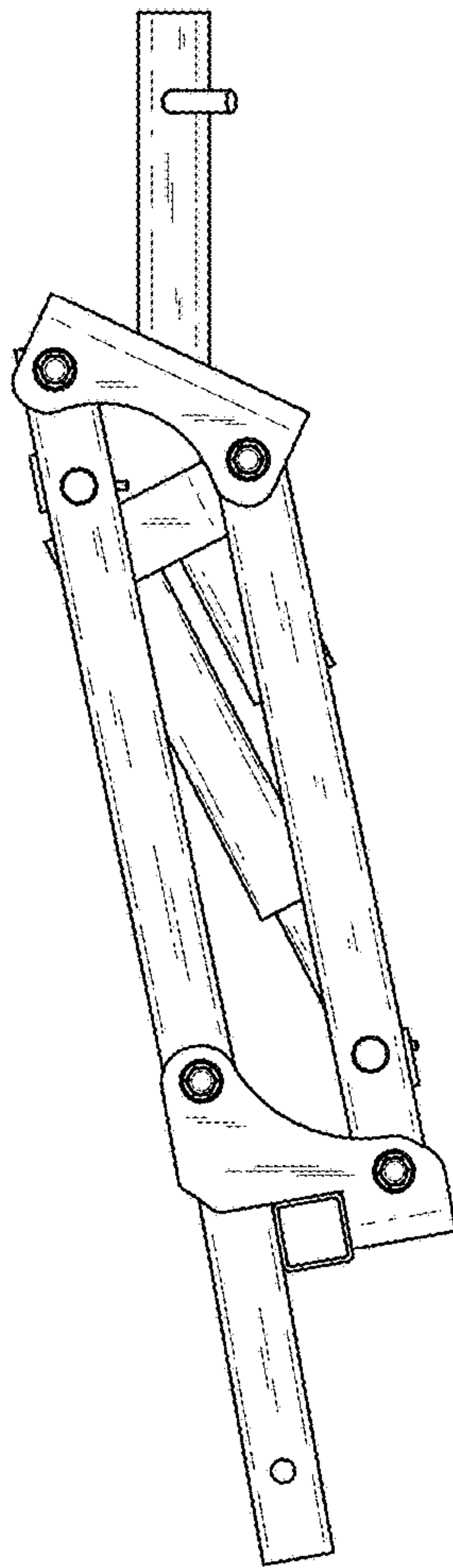


FIG. 4

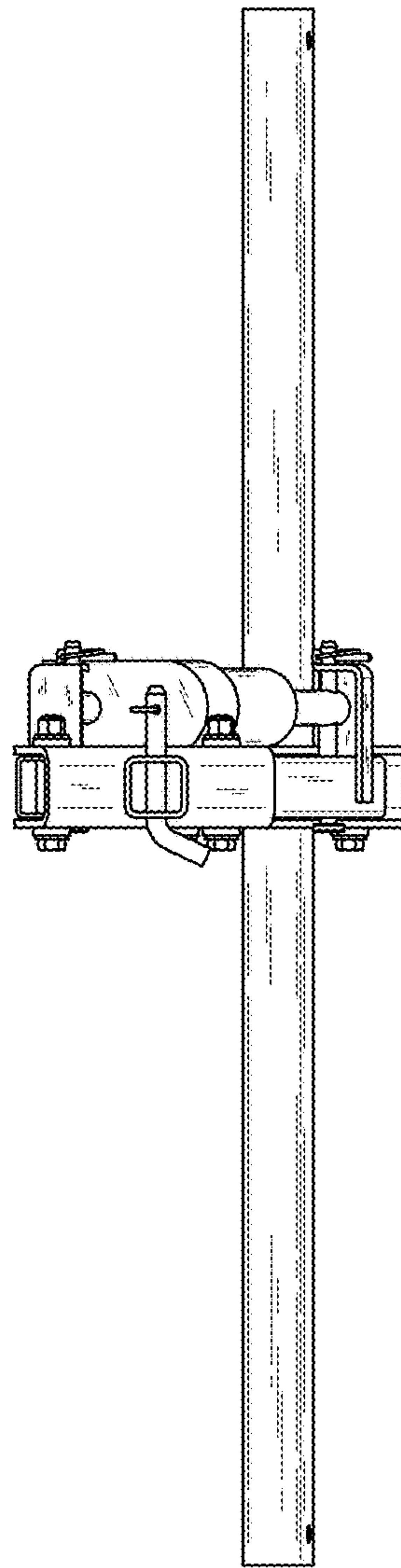


FIG. 5

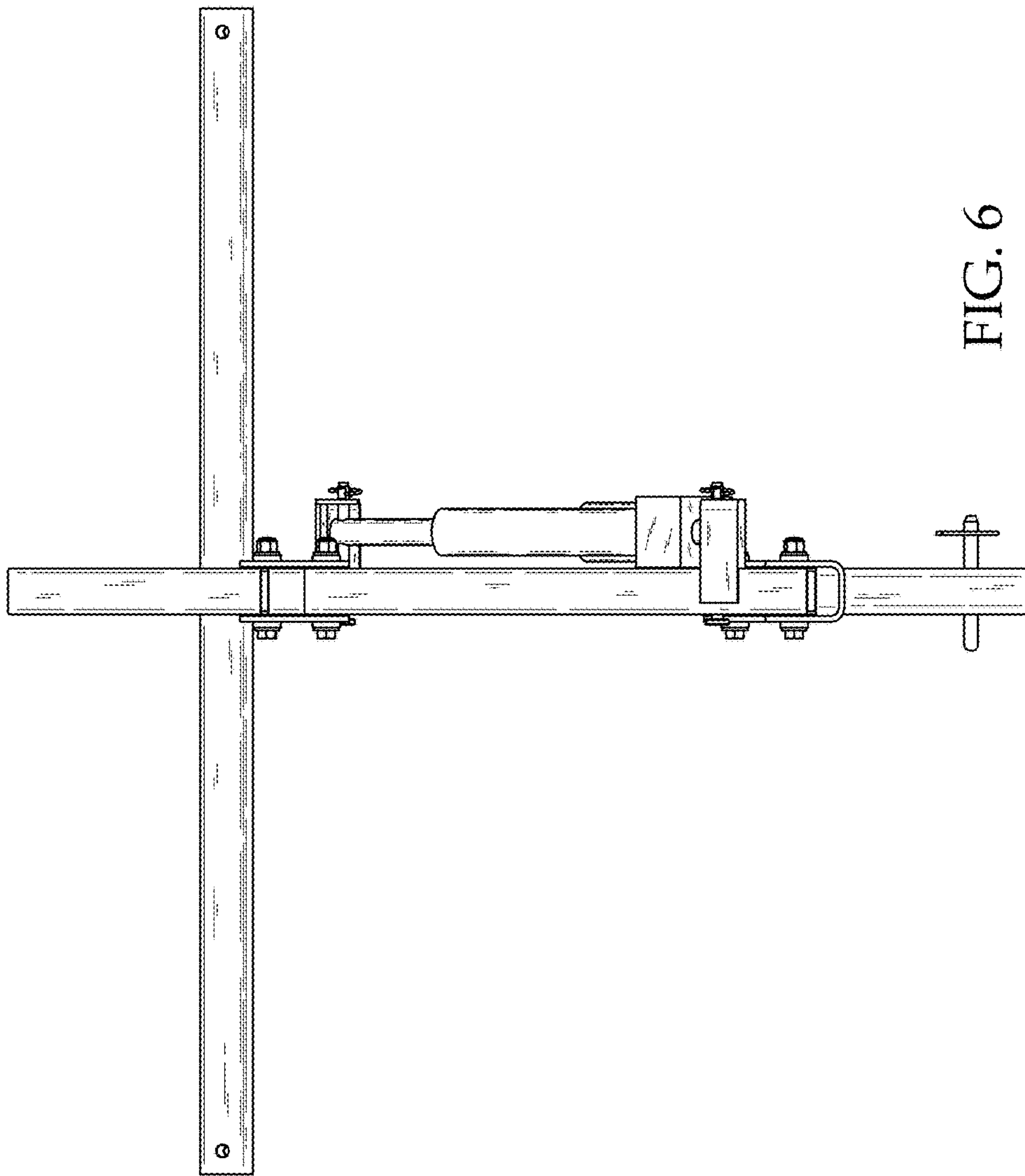


FIG. 6

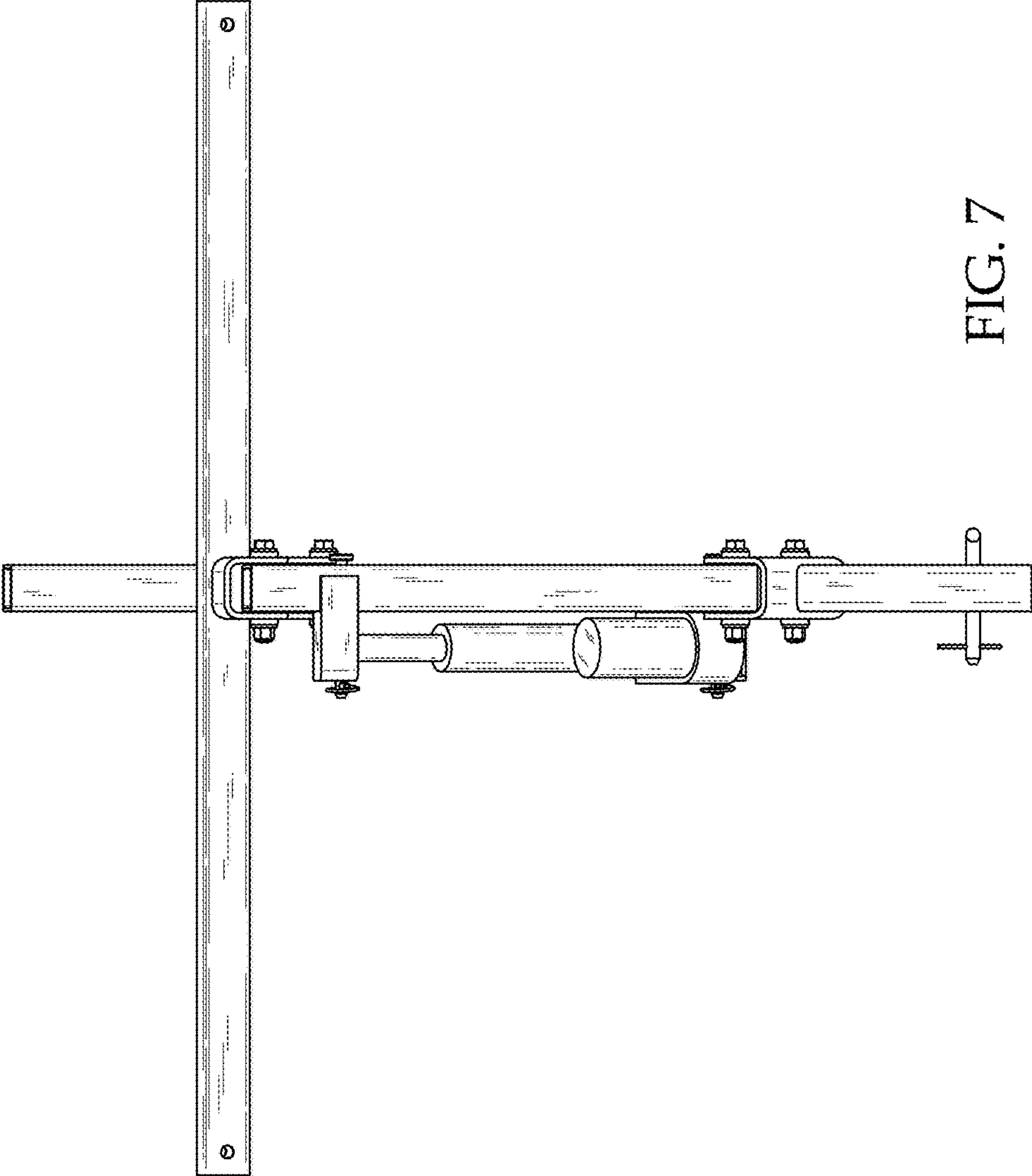


FIG. 7