



US00D862824S

(12) **United States Design Patent**  
**Hein**

(10) **Patent No.:** **US D862,824 S**

(45) **Date of Patent:** **\*\* Oct. 8, 2019**

(54) **ADJUSTABLE HEIGHT MECHANIC'S CREEPER**

(71) Applicant: **Gary J. Hein**, Litchfield, MN (US)

(72) Inventor: **Gary J. Hein**, Litchfield, MN (US)

(\*\*) Term: **15 Years**

(21) Appl. No.: **29/620,462**

(22) Filed: **Jan. 3, 2017**

(51) **LOC (12) Cl.** ..... **12-02**

(52) **U.S. Cl.**  
USPC ..... **D34/23**

(58) **Field of Classification Search**  
USPC ..... D34/12, 14, 16, 17, 19, 20, 21, 23, 25,  
D34/26; 280/651, 47.34, 47.19, 47.35,  
280/47.17, 654, 32.6, 32.5, 30, 638,  
280/79.11, 79.2, 79.7  
CPC ..... B25H 5/00; B60B 33/0018; B62B 3/02;  
B62B 5/0093

See application file for complete search history.

(56) **References Cited**

**U.S. PATENT DOCUMENTS**

- 4,895,380 A \* 1/1990 Brooks ..... B25H 5/00  
280/32.6
- 5,108,118 A 4/1992 Schaevitz
- 5,460,392 A 10/1995 Hansen
- D396,920 S \* 8/1998 Whiteside ..... D34/23

- D406,433 S \* 3/1999 Taylor ..... D34/23
- 6,076,838 A \* 6/2000 Peterson ..... B25H 5/00  
280/32.6
- D460,237 S \* 7/2002 Hart ..... D34/23
- 7,070,189 B2 7/2006 Grauss
- 7,434,817 B2 10/2008 Rush
- 9,339,928 B1 \* 5/2016 Obitts ..... B25H 5/00
- 2007/0235960 A1 \* 10/2007 Pantaleoni ..... B25H 5/00  
280/32.6

\* cited by examiner

*Primary Examiner* — Cynthia Ramirez

*Assistant Examiner* — Gino Colan

(74) *Attorney, Agent, or Firm* — Paul R. Martin

(57) **CLAIM**

The ornamental design for an adjustable height mechanic's creeper, as shown and described.

**DESCRIPTION**

FIG. 1 is a perspective view of an adjustable height mechanic's creeper showing of my new design, in an extended position.

FIG. 2 is a front elevational view thereof.

FIG. 3 is a rear elevational view thereof.

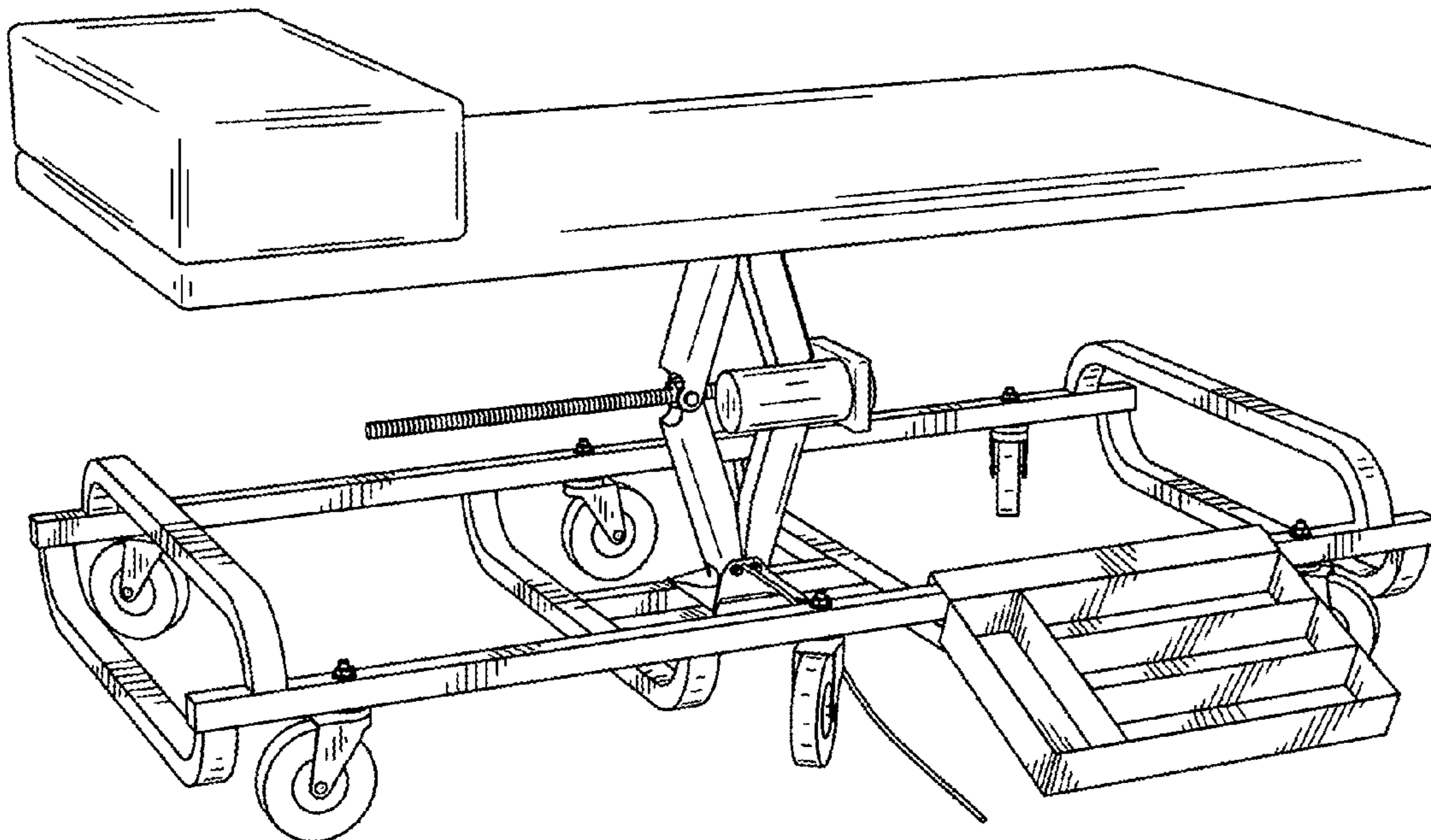
FIG. 4 is a right end elevational view thereof.

FIG. 5 is a left end elevational view thereof.

FIG. 6 is a top plan view thereof; and,

FIG. 7 is a bottom plan view thereof.

**1 Claim, 7 Drawing Sheets**



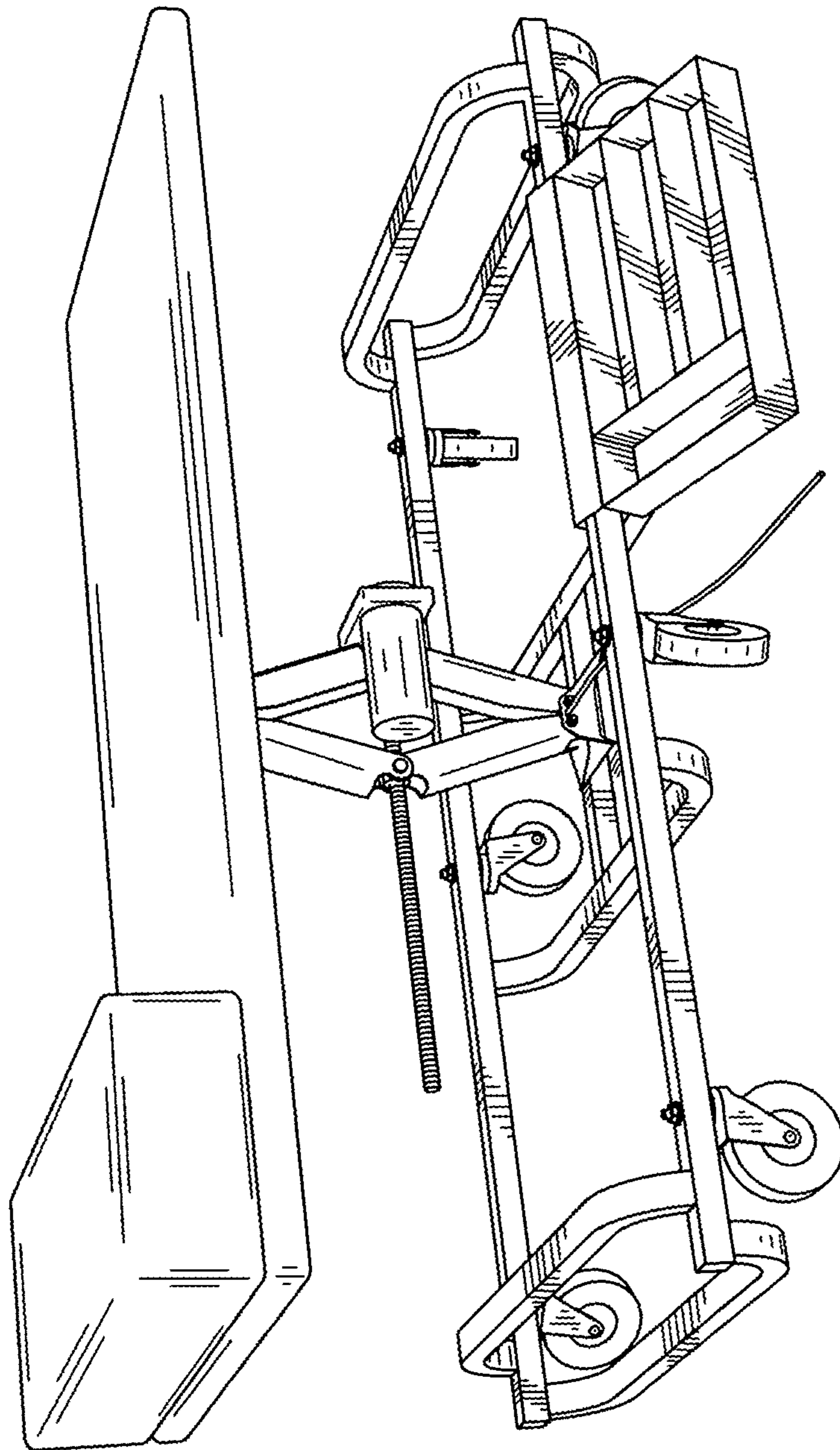


FIG. 1

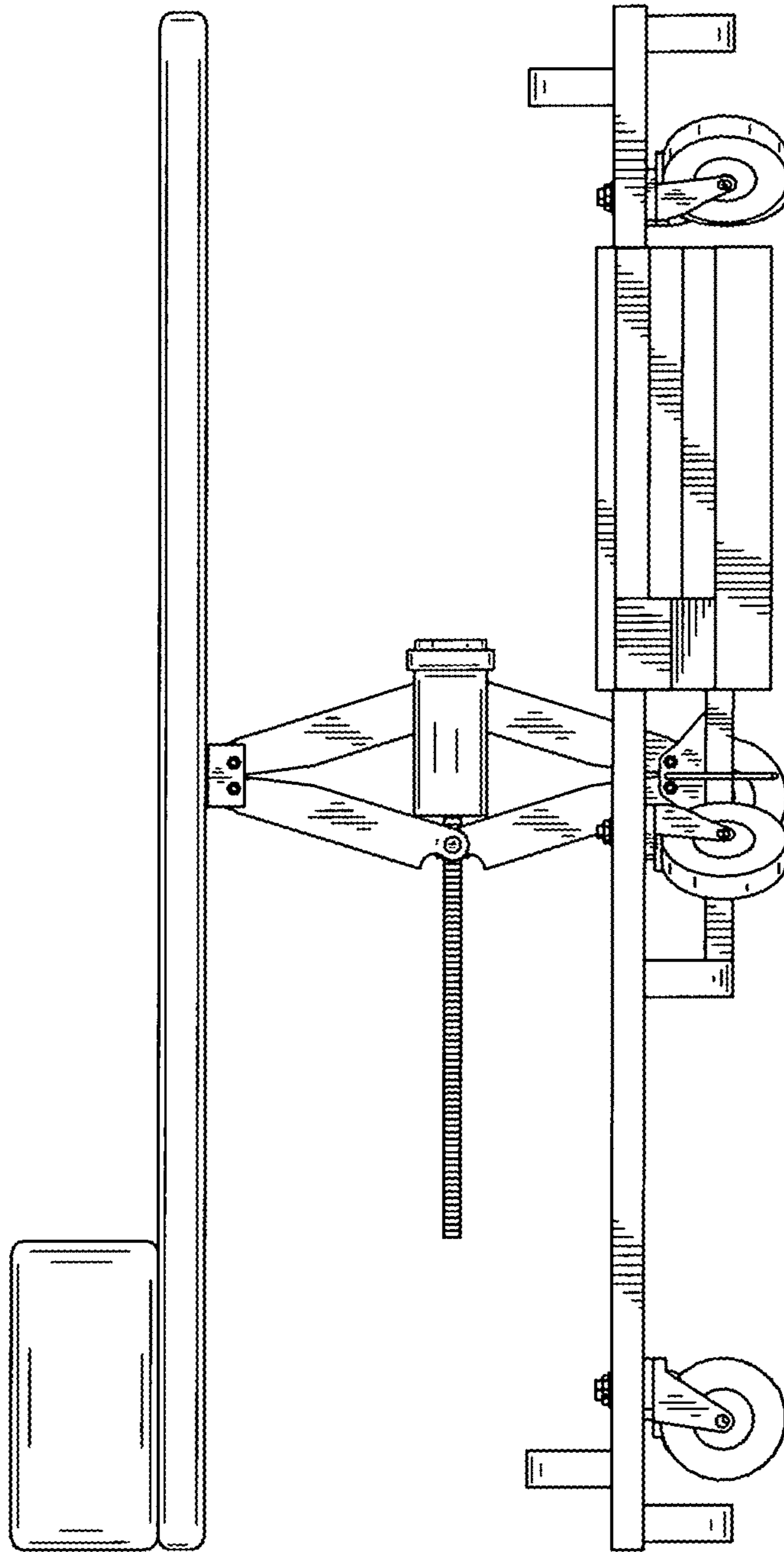


FIG. 2

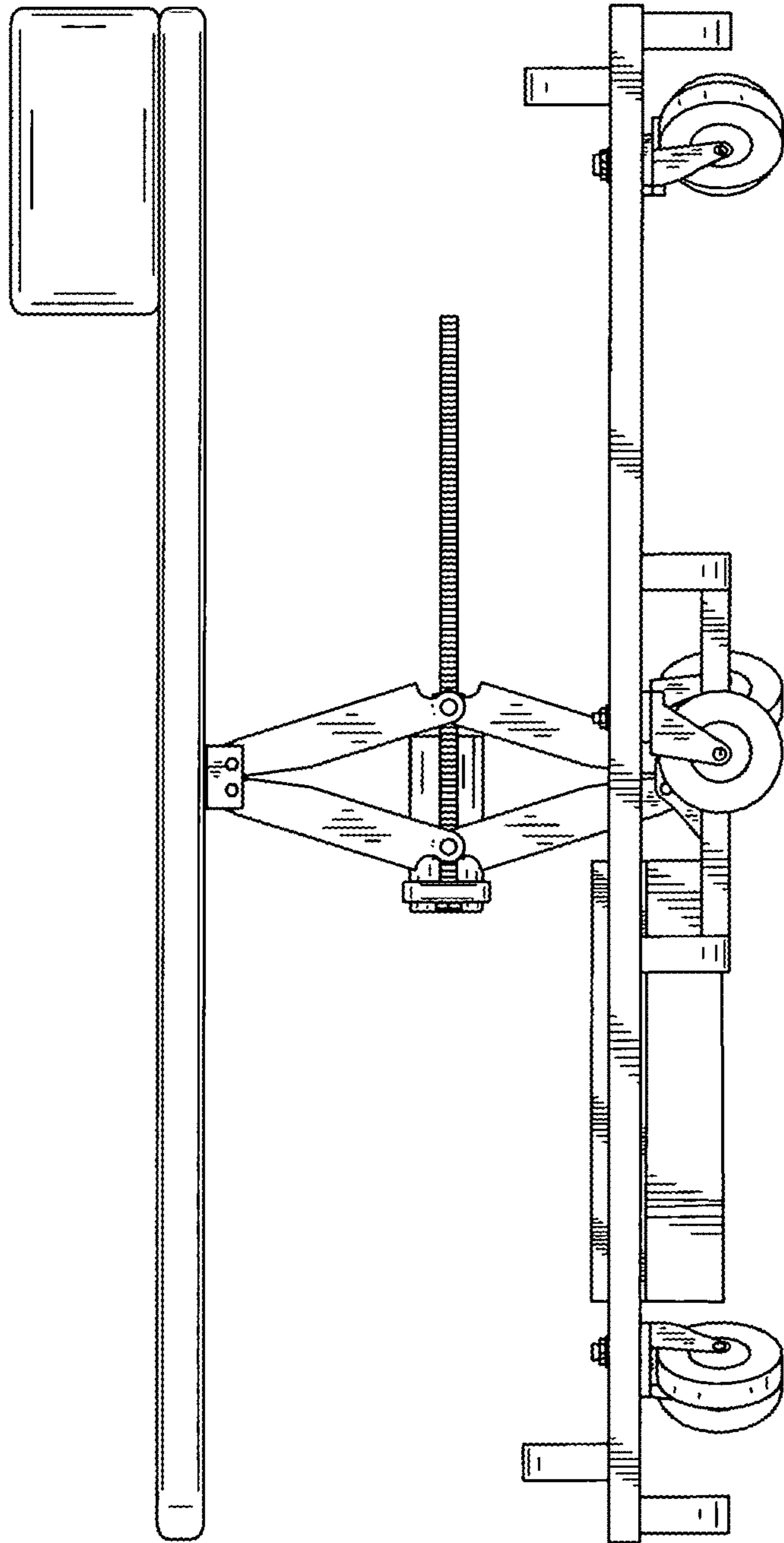


FIG. 3

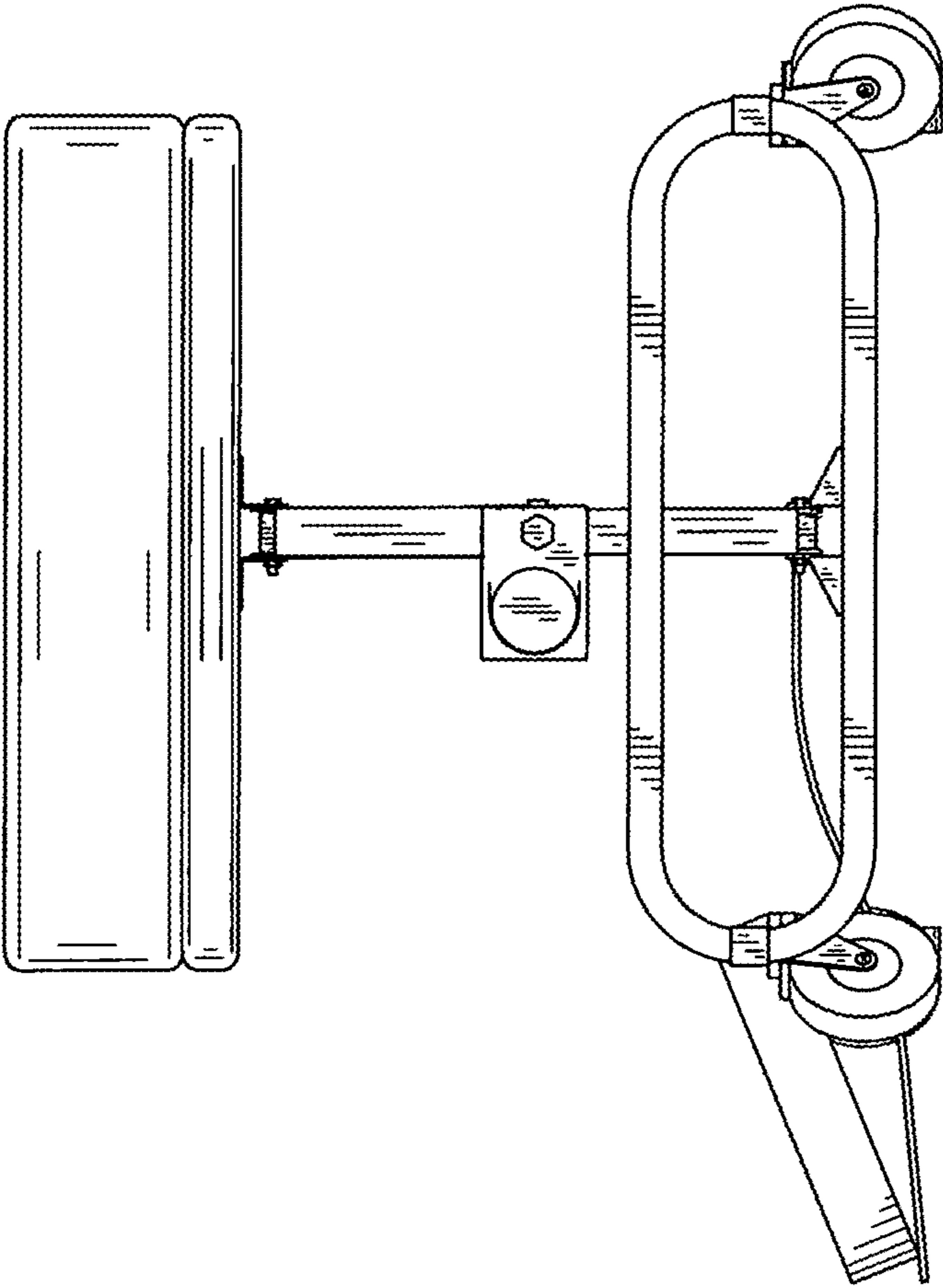


FIG. 4

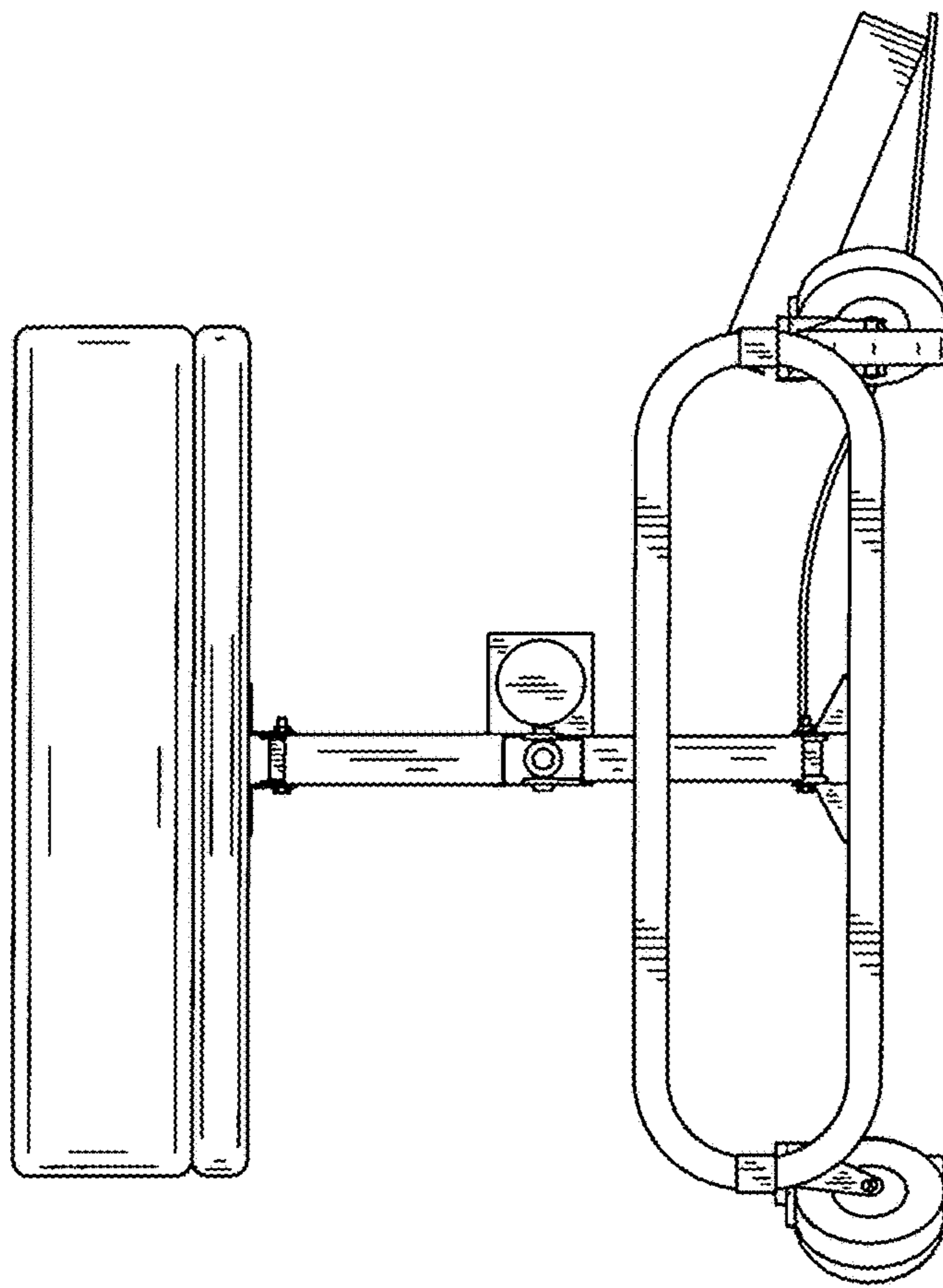


FIG. 5

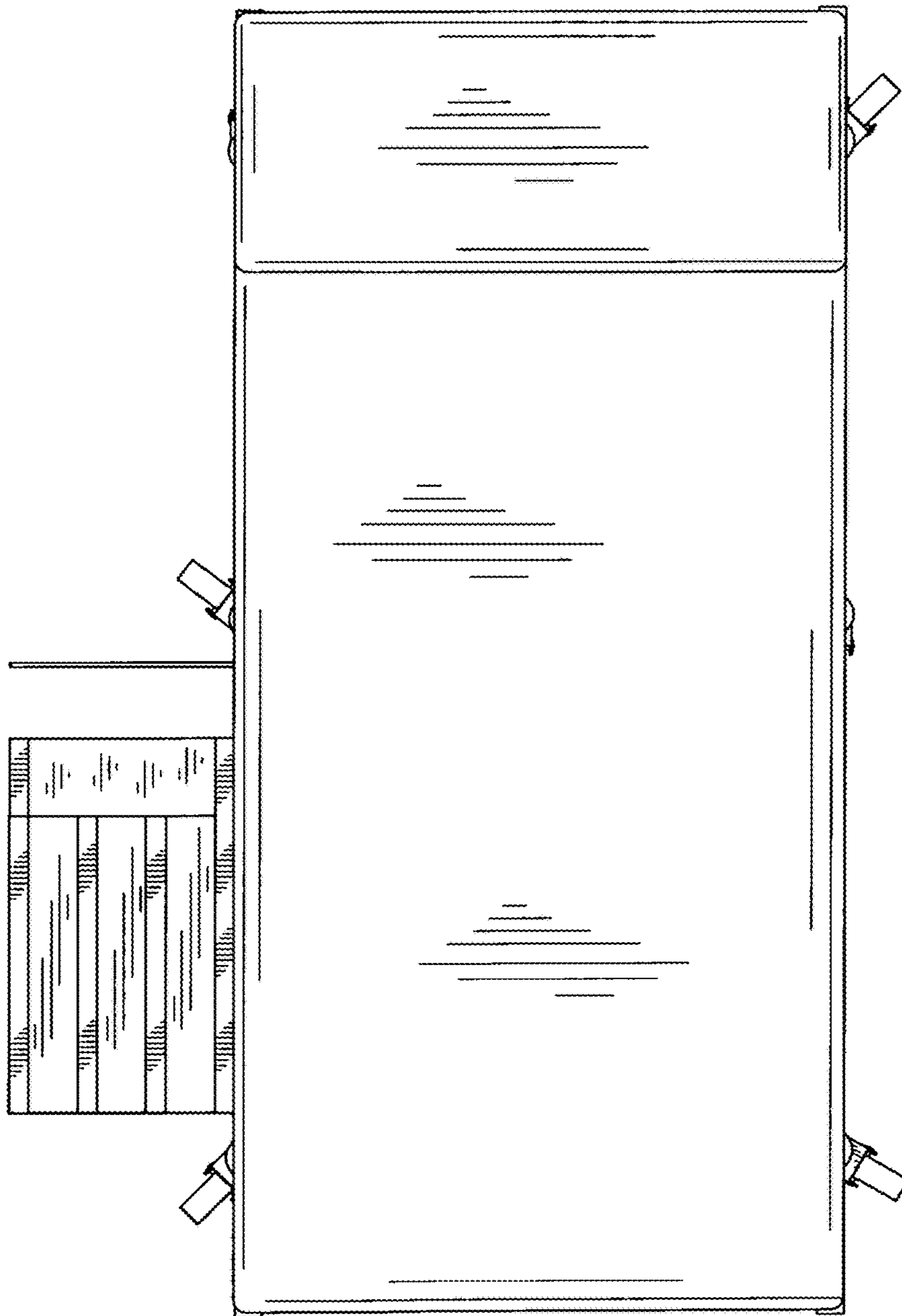


FIG. 6

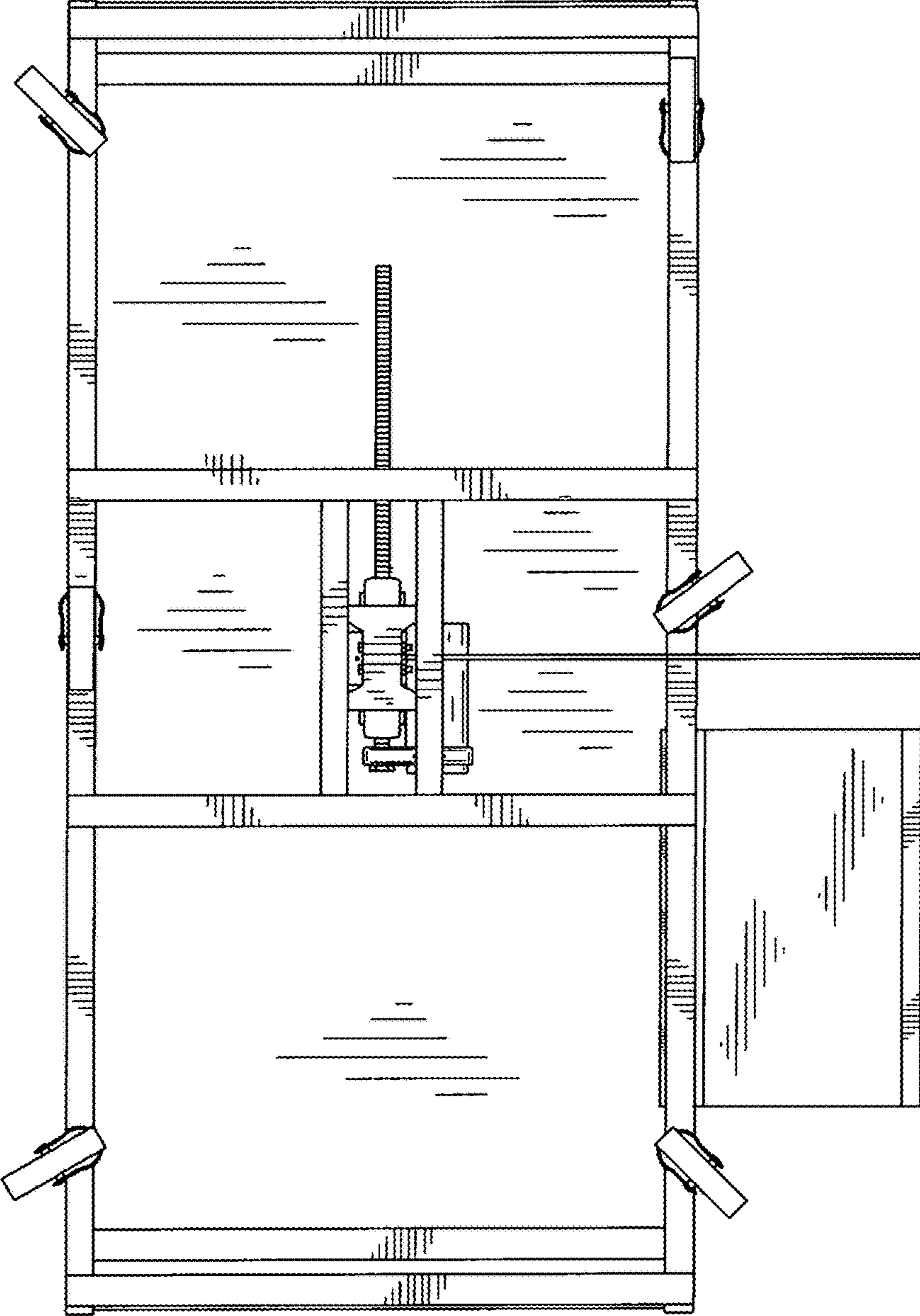


FIG. 7