

US00D862823S

(12) **United States Design Patent** (10) **Patent No.:** **US D862,823 S**
Zhao (45) **Date of Patent:** **** Oct. 8, 2019**

(54) **RACK FOR DISHES**
(71) Applicant: **Wei Zhao**, Guangdong (CN)
(72) Inventor: **Wei Zhao**, Guangdong (CN)
(**) Term: **15 Years**
(21) Appl. No.: **29/694,281**

D762,035 S * 7/2016 Cooper D32/55
D776,385 S * 1/2017 Evans D32/55
9,596,975 B2 * 3/2017 Bhajak A47L 15/4246
D783,216 S 4/2017 Huang
D799,133 S * 10/2017 Wong D32/55
D814,730 S 4/2018 Cooper et al.
10,022,037 B2 * 7/2018 Kutto A47L 15/504
D825,874 S 8/2018 Johnson et al.
D852,446 S * 6/2019 Sanduri Cohen D32/55
2009/0050186 A1 * 2/2009 Kim A47L 15/504
134/165

(22) Filed: **Jun. 10, 2019**
(51) **LOC (12) Cl.** **07-05**
(52) **U.S. Cl.**
USPC **D32/55**
(58) **Field of Classification Search**
USPC D32/585, 276, 3; D6/510, 525;
D30/133; 211/41.5, 41.4, 41.3, 41.8;
312/311, 333, 334.4; D7/354, 629
CPC .. A47L 15/505; A47L 15/503; A47L 15/0013;
A47L 19/02; A47L 19/04; A47J 47/20
See application file for complete search history.

(Continued)

OTHER PUBLICATIONS

2 Tiers Dish Drying Rack High-End Stainless Steel Plate Drainer
Dryer Shelf Bowl Holder Tray Kitchen Organizer, <https://www.lazada.sg/products/2-tiers-dish-drying-rack-high-end-stainless-steel-plate-drainer-dryer-shelf-bowl-holder-tray-kitchen-organizer-i270688730-s420228204.html?spm=a2o42.searchlistcategory.ist.45.7a471c89VsNib9&search=1>.

(Continued)

Primary Examiner — Austin Murphy
(74) *Attorney, Agent, or Firm* — KA Filing LLC; Wayne V. Harper

(56) **References Cited**
U.S. PATENT DOCUMENTS

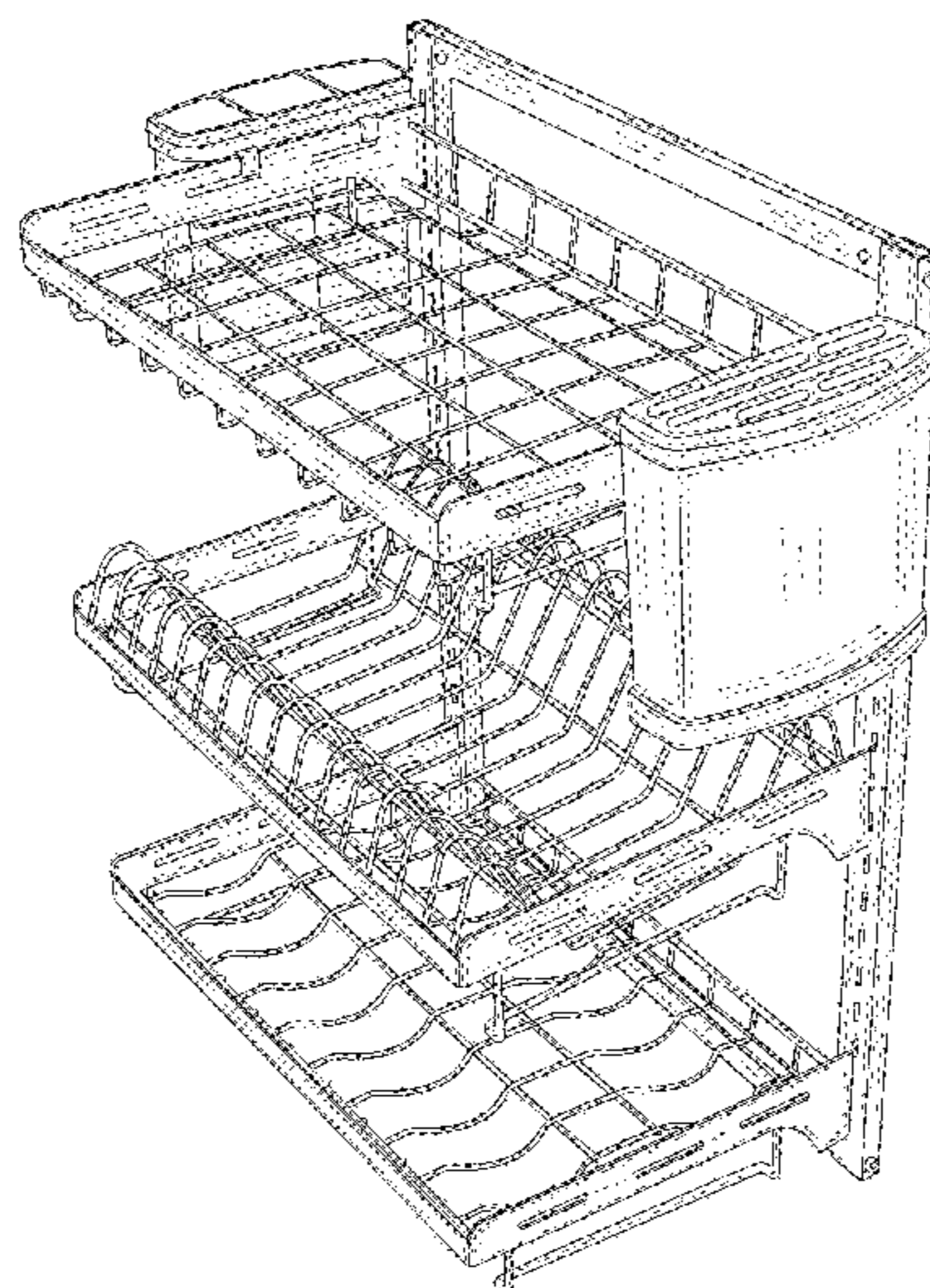
D326,946 S * 6/1992 Szuster D3/306
D429,863 S * 8/2000 Lenney D32/55
6,543,069 B1 4/2003 Nelson
D547,093 S * 7/2007 Butters D6/566
D554,819 S * 11/2007 Shah D32/55
D559,491 S * 1/2008 Yang D32/55
D597,342 S * 8/2009 Dickson D6/675.2
D602,712 S * 10/2009 Ho D6/675.2
7,857,147 B2 12/2010 Mulaw
D630,397 S * 1/2011 Molayem D32/55
D630,813 S * 1/2011 Molayem D32/55
D657,979 S * 4/2012 Sokol D6/675.1
8,167,147 B2 5/2012 Frankel et al.
D695,482 S * 12/2013 Huang D32/55
D699,413 S * 2/2014 Huang D32/55
D706,510 S * 6/2014 Lerner D32/55
D724,357 S * 3/2015 Lim A47B 47/00
D6/675.1
D755,459 S * 5/2016 Erby D32/56

(57) **CLAIM**
The ornamental design for a rack for dishes, as shown and described.

DESCRIPTION

FIG. 1 is a perspective view of a rack for dishes showing my new design;
FIG. 2 is a front elevation view thereof;
FIG. 3 is a rear elevation view thereof;
FIG. 4 is a right side elevation view thereof;
FIG. 5 is a left side elevation view thereof;
FIG. 6 is a top plan view thereof; and,
FIG. 7 is a bottom plan view thereof.

1 Claim, 7 Drawing Sheets



(56)

References Cited

U.S. PATENT DOCUMENTS

2014/0217868 A1* 8/2014 Bhajak A47L 15/50
312/228.1

OTHER PUBLICATIONS

Kitchen Dish Cup Drying Rack, <https://wikielcloud.us/kitchen-dish-cup-drying-rack/>.

3 Layer Steel Kitchen Dish Cup Drying Rack Drainer Tray Cutlery Holder Organiser, <https://www.ebay.com.au/p/3-Layer-Steel-Kitchen-Dish-Cup-Drying-Rack-Drainer-Tray-Cutlery-Holder-Organiser/26025380691?iid=113711909834&rt=nc>.

* cited by examiner

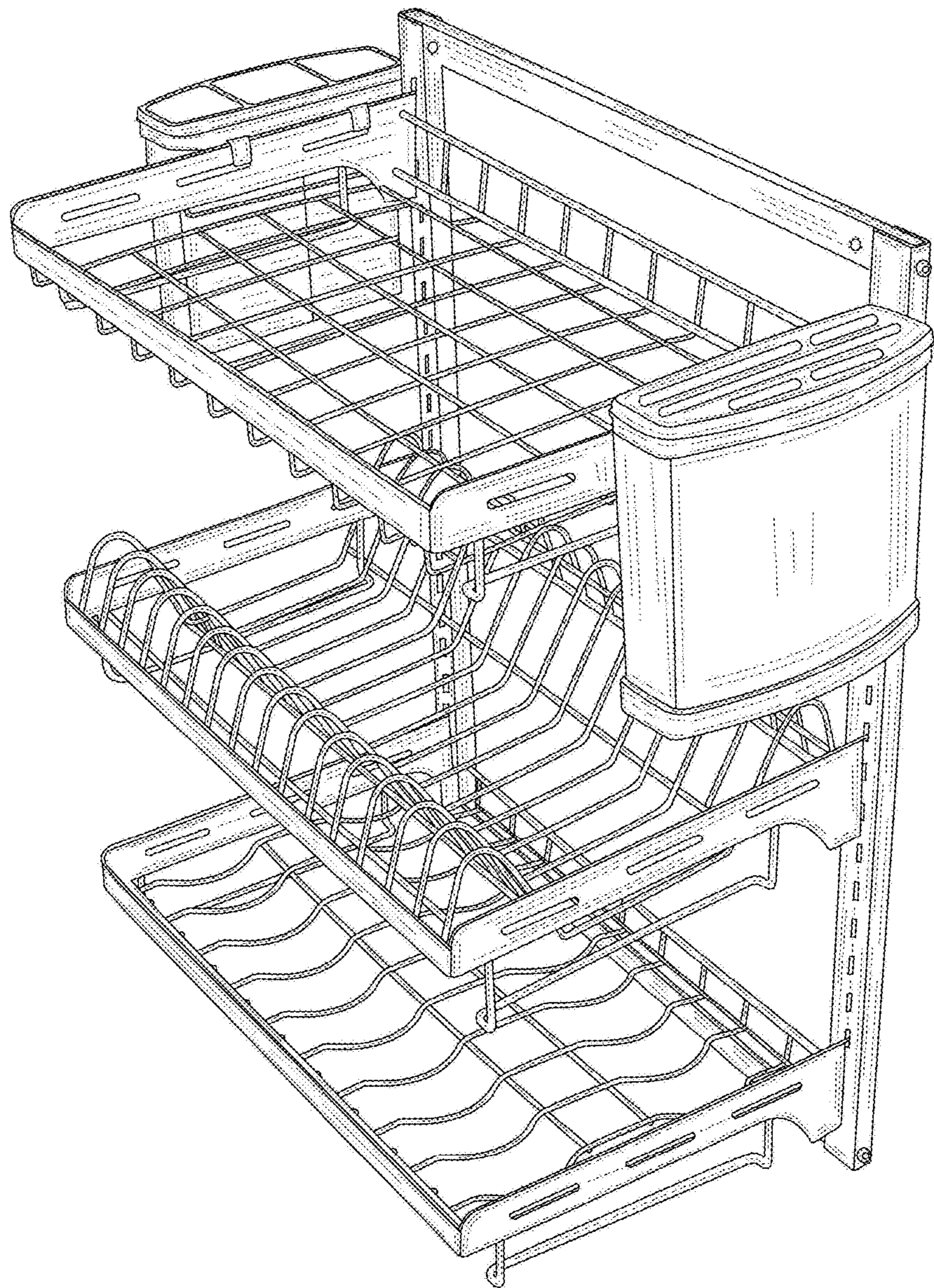


FIG. 1

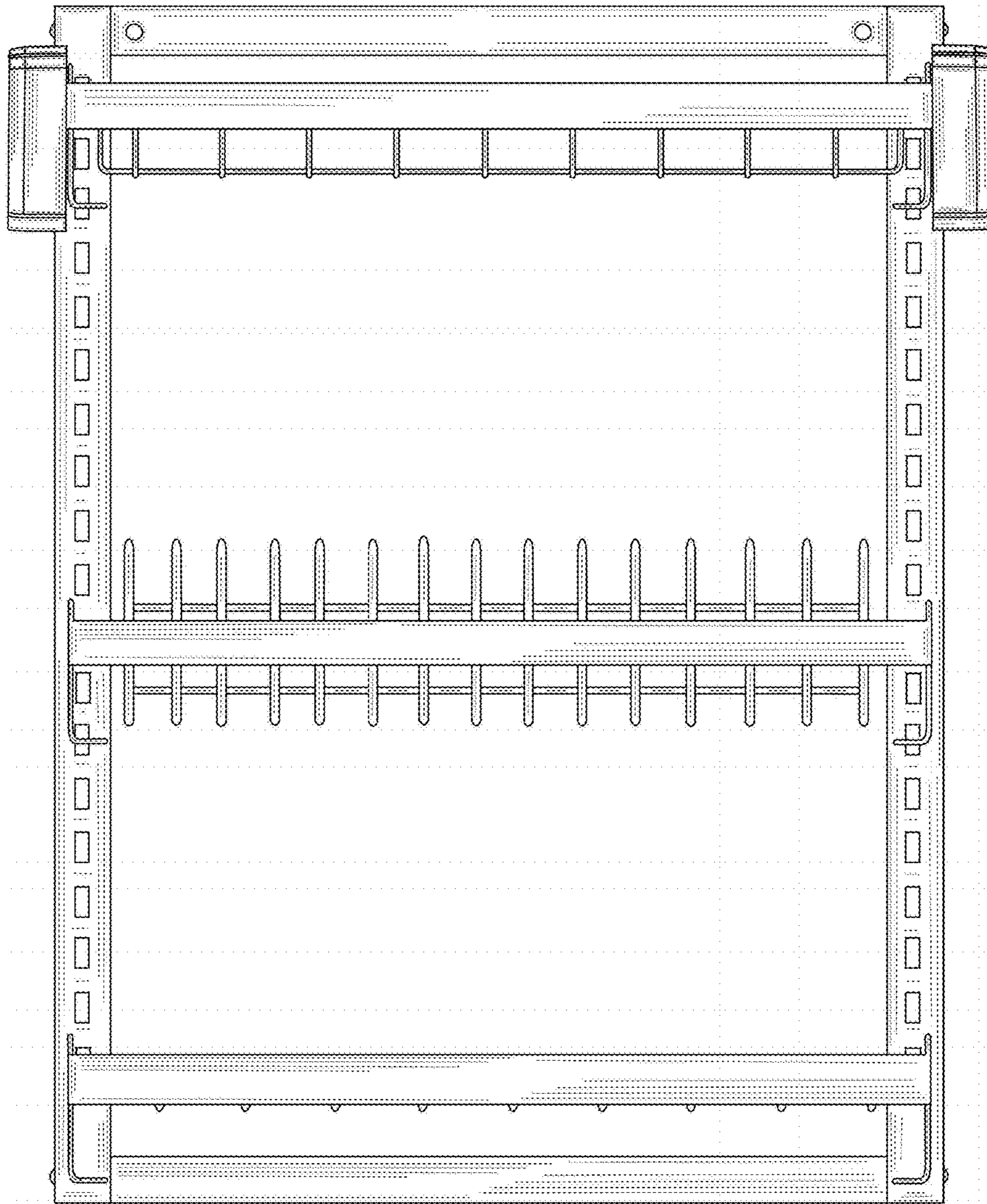


FIG. 2

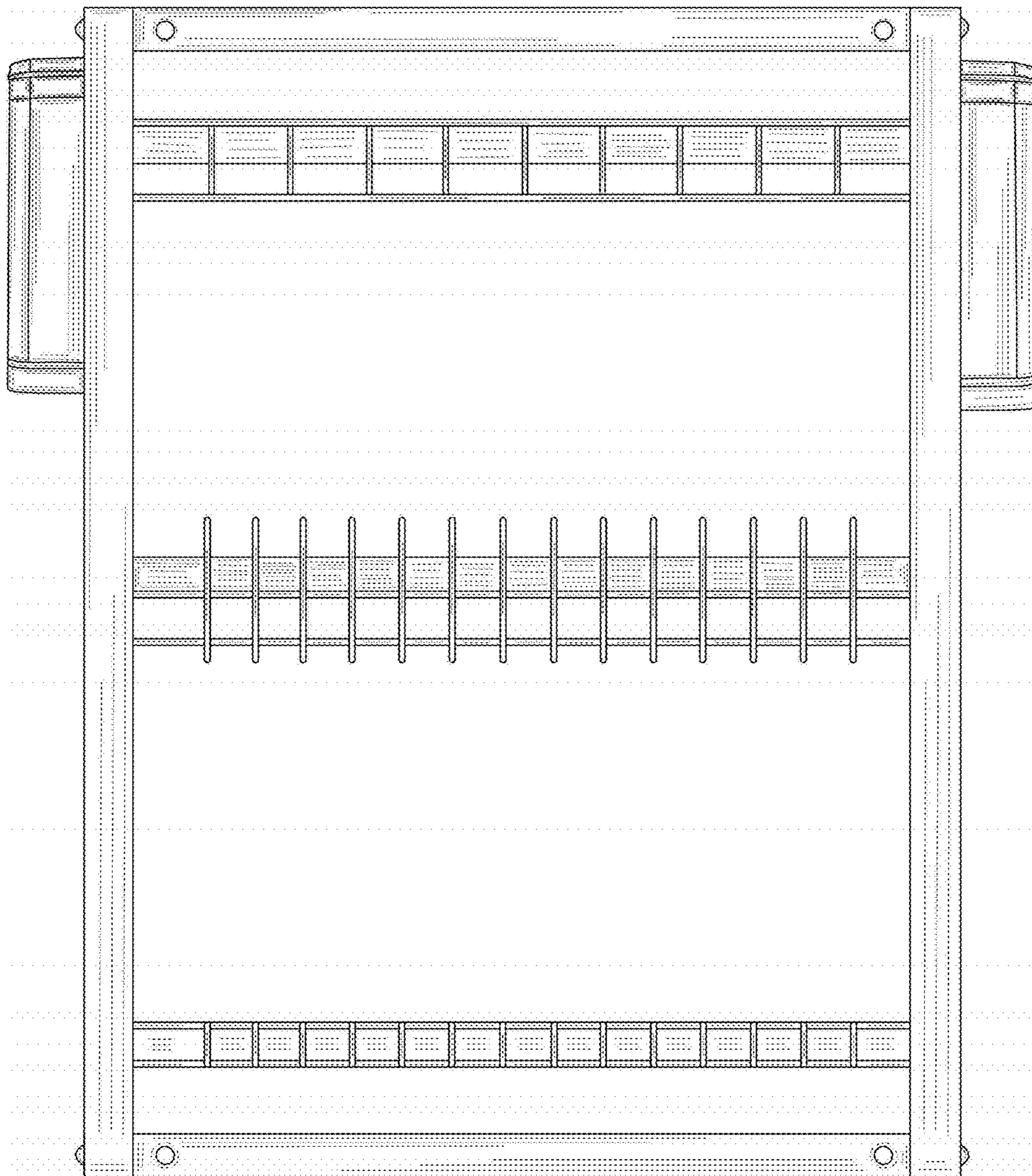


FIG. 3

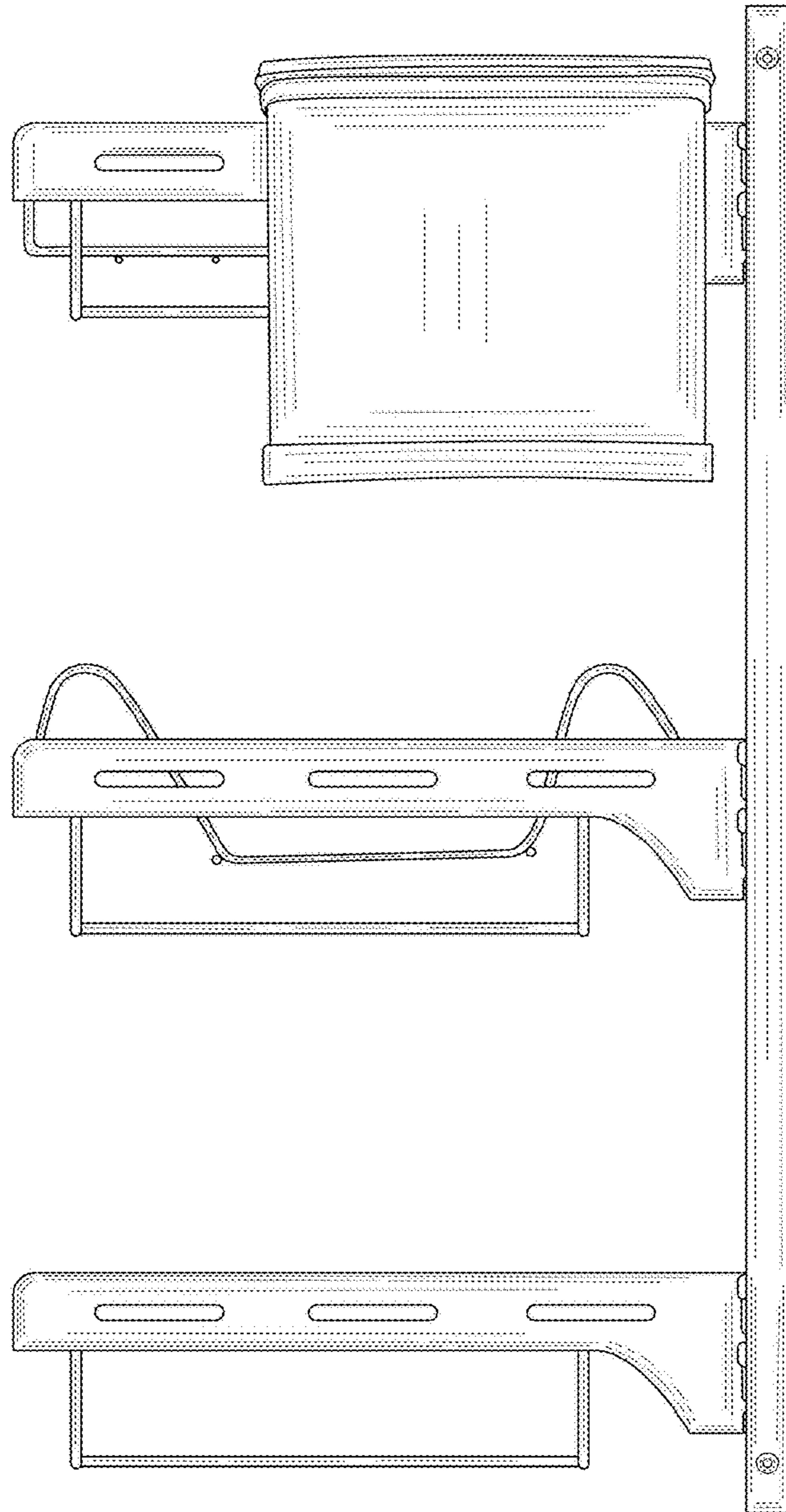


FIG. 4

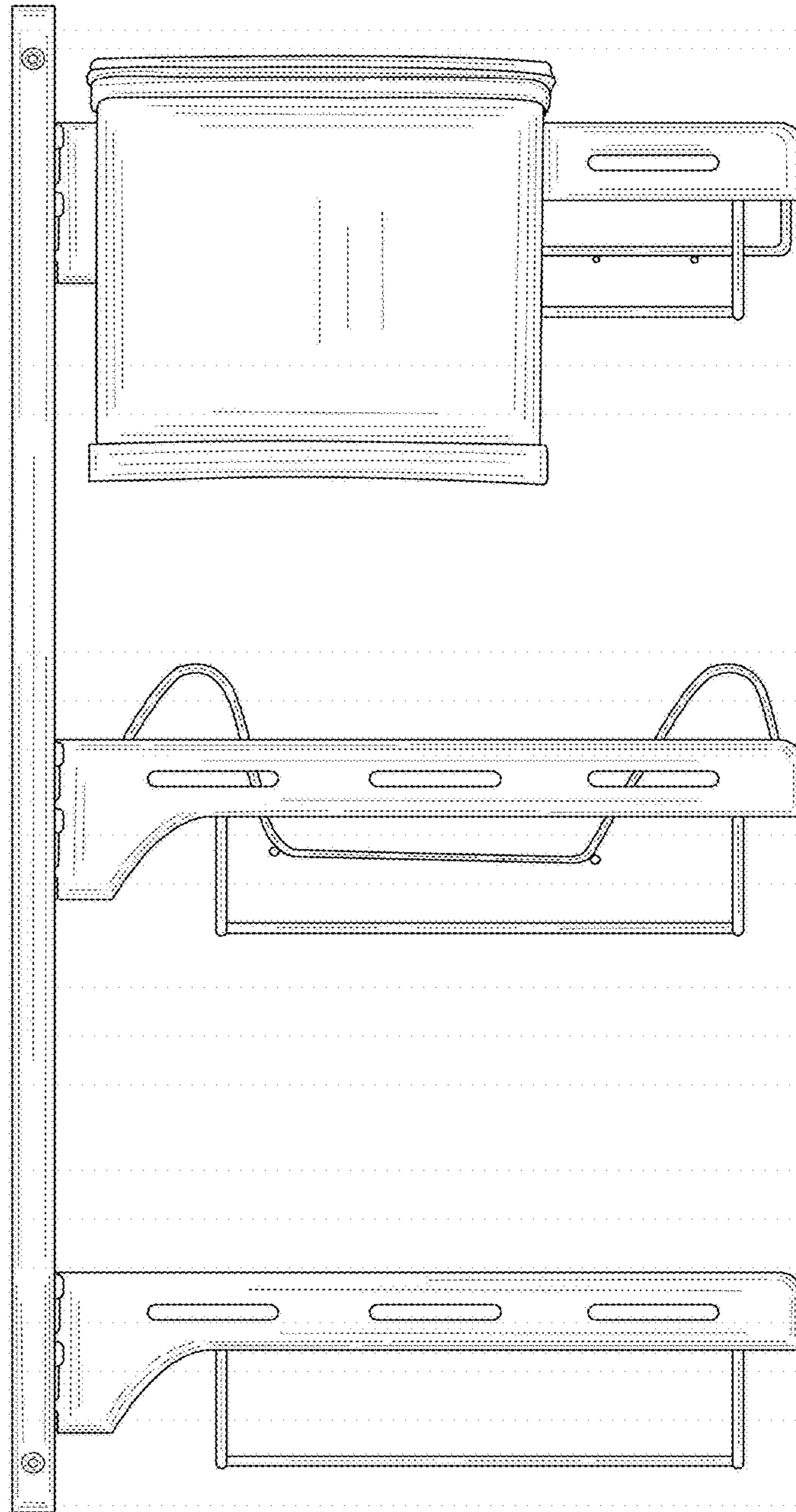


FIG. 5

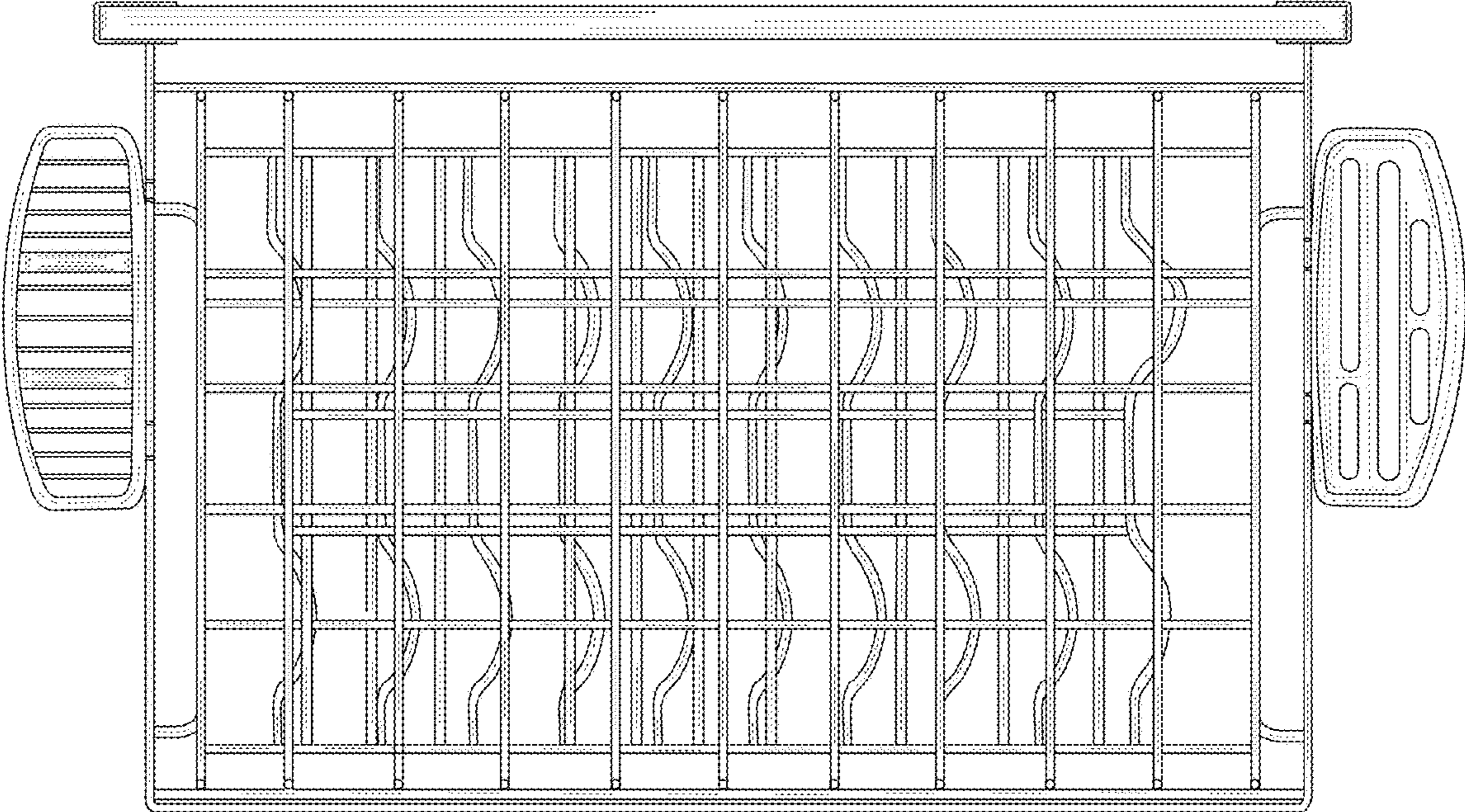


FIG. 6

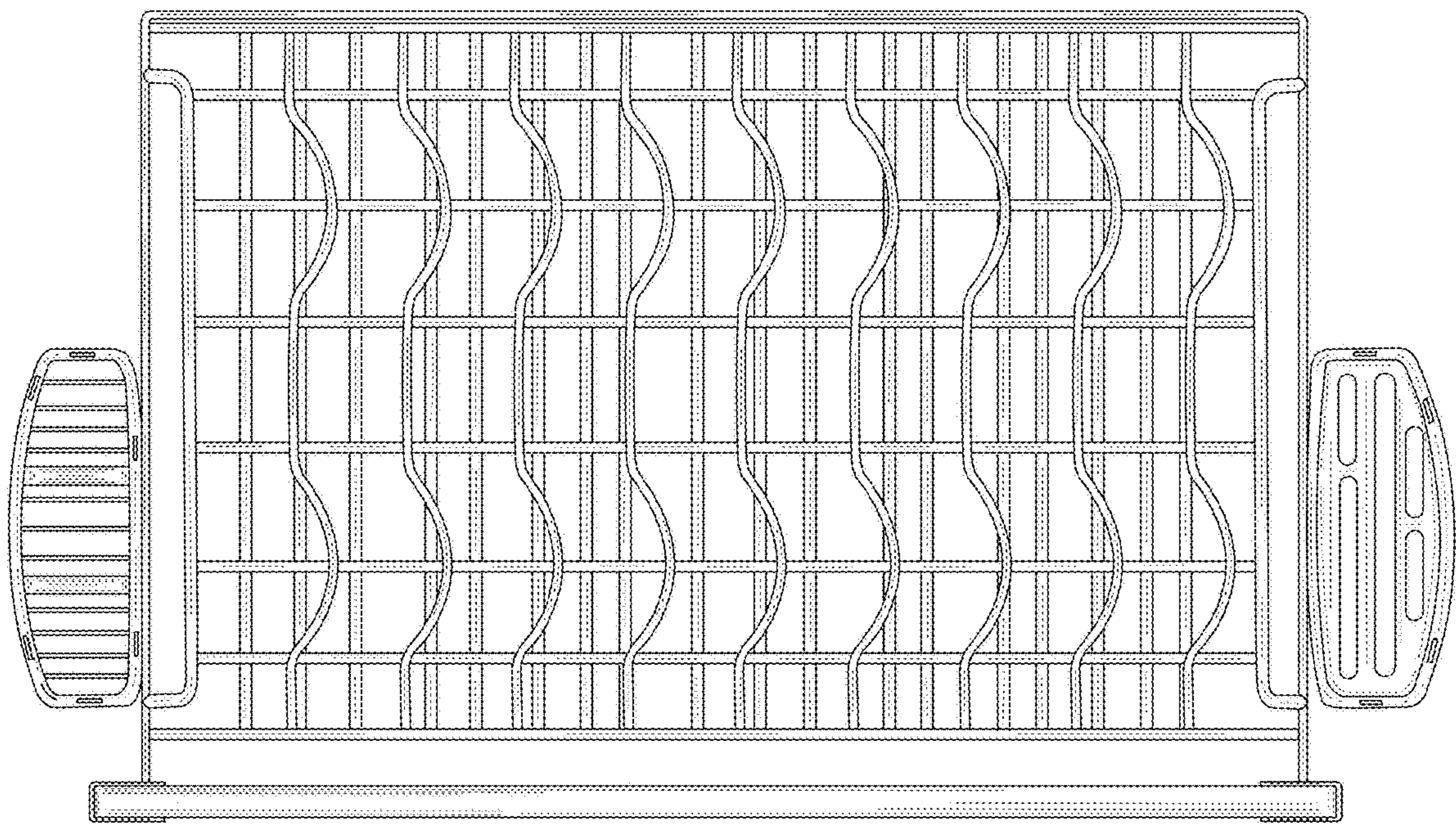


FIG. 7