



US00D862821S

(12) **United States Design Patent**
Meier et al.

(10) **Patent No.:** **US D862,821 S**

(45) **Date of Patent:** **** Oct. 8, 2019**

(54) **CLEANING TOOL**

(71) Applicant: **3M INNOVATIVE PROPERTIES COMPANY**, St. Paul, MN (US)

(72) Inventors: **Thomas C. Meier**, Woodbury, MN (US); **Mark W. Baldwin**, Woodbury, MN (US); **Mario A. Davenport**, St. Paul, MN (US); **Daniel J. Rebecca**, Arlington Heights, IL (US); **Dennis G. Johnson**, Topsfield, MA (US); **Lac V. Nguyen**, Woburn, MA (US); **George H. Kormanos**, Nashua, NH (US)

(73) Assignee: **3M INNOVATIVE PROPERTIES COMPANY**, St. Paul, MN (US)

(**) Term: **15 Years**

(21) Appl. No.: **29/657,510**

(22) Filed: **Jul. 23, 2018**

(51) **LOC (12) Cl.** **07-05**

(52) **U.S. Cl.**
USPC **D32/40**

(58) **Field of Classification Search**
USPC D32/38, 40-46, 50-53; D4/114, 115, D4/138
CPC . A47L 7/00; A47L 13/22; A47L 17/04; A47L 13/12
See application file for complete search history.

(56) **References Cited**

U.S. PATENT DOCUMENTS

- 2,268,403 A * 12/1941 Kingman B24D 3/32 15/244.3
- 4,148,318 A * 4/1979 Meyer A61M 35/006 401/132
- D316,318 S * 4/1991 Cheang 401/139
- D320,490 S * 10/1991 Andrew, III 401/139
- D386,852 S * 11/1997 Viner D32/42

- D386,854 S * 11/1997 Koptis D32/45
 - D387,704 S * 12/1997 Berti D32/45
 - 5,915,869 A 6/1999 Agosto
 - D426,690 S * 6/2000 Sakai D32/43
- (Continued)

FOREIGN PATENT DOCUMENTS

- CN 105342524 2/2016
 - CN 304649522 * 5/2018
- (Continued)

OTHER PUBLICATIONS

Hozelock Bioforce 500 Filter Sponge/Foam—Hexagonal Type I eBay update 2019, <https://www.ebay.co.uk/itm/Replacement-Hozelock-Bioforce-500-Filter-Sponge-Foam-He...> site visited Apr. 25, 2019.*

(Continued)

Primary Examiner — John Windmuller
Assistant Examiner — John R Yeh

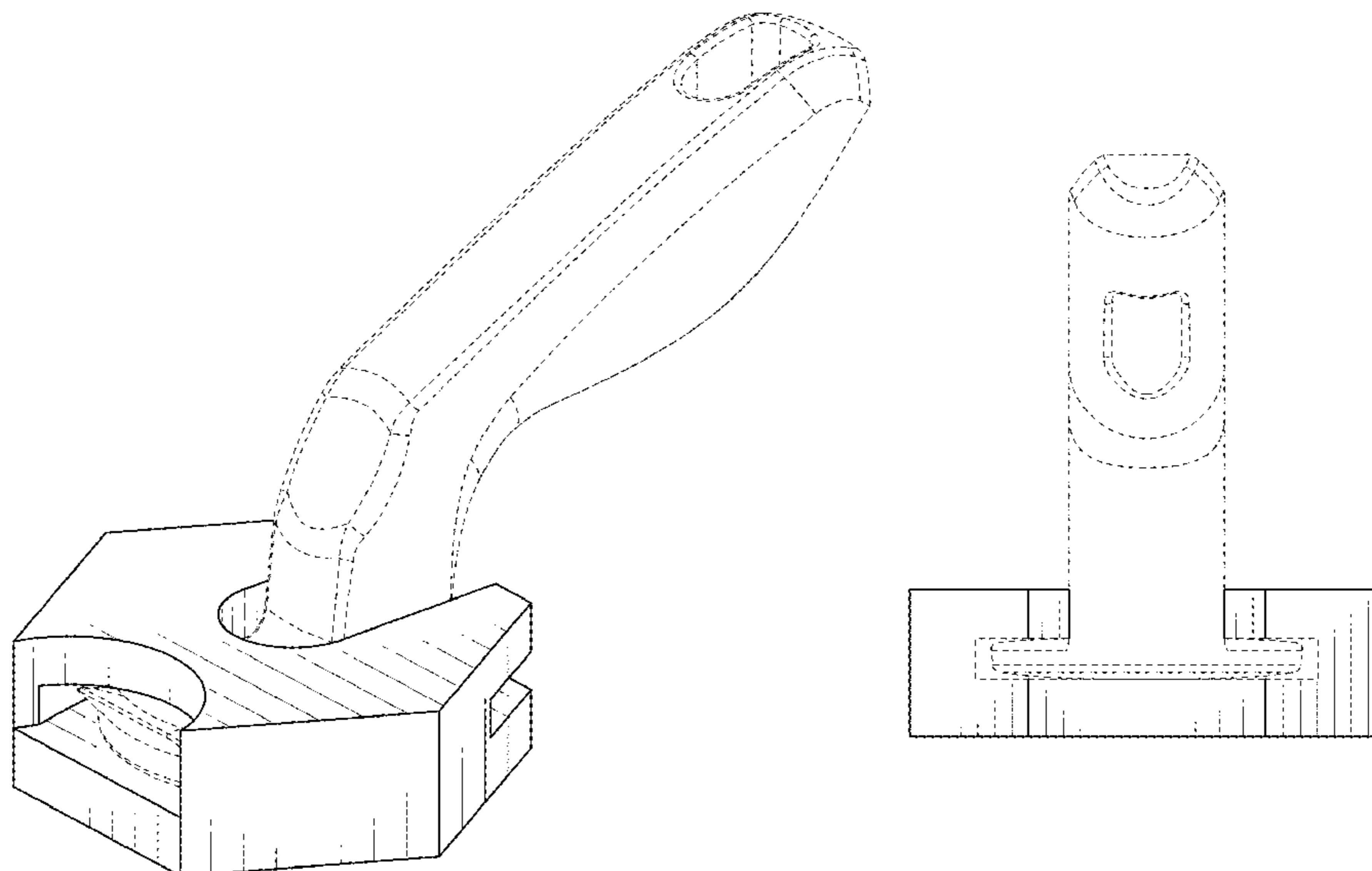
(57) **CLAIM**

The ornamental design for a cleaning tool, as shown and described.

DESCRIPTION

FIG. 1 is a perspective view showing the new design for a cleaning tool;
FIG. 2 is a right side view thereof;
FIG. 3 is a left side view thereof;
FIG. 4 is a front view thereof;
FIG. 5 is a rear view thereof;
FIG. 6 is a top view thereof;
FIG. 7 is a bottom view thereof; and,
FIG. 8 is a second perspective view thereof.
The portions of the cleaning tool in FIGS. 1-8 shown in broken lines are included to show features that form no part of the claimed design.

1 Claim, 5 Drawing Sheets



(56)

References Cited

U.S. PATENT DOCUMENTS

6,146,040 A * 11/2000 Dunn A46B 11/002
401/123

6,192,545 B1 2/2001 Gessert

D446,898 S * 8/2001 Brewer D32/45

D505,528 S * 5/2005 Burt D28/63

D509,935 S * 9/2005 Burt D28/63

D515,758 S * 2/2006 Turchi D32/42

D524,547 S * 7/2006 Hay D4/127

D556,406 S * 11/2007 Murphy, Jr. D32/40

D558,417 S * 12/2007 Libman D32/45

D575,517 S * 8/2008 Libman D4/127

D632,857 S * 2/2011 Sgroi D32/41

D657,926 S * 4/2012 McKibbin D32/40

D659,320 S * 5/2012 Davis D32/40

D690,481 S * 9/2013 Roehm D32/40

9,138,121 B2 9/2015 Baarsch

D770,712 S * 11/2016 Neumann D32/45

9,750,385 B2 9/2017 Curtis

9,826,878 B2 11/2017 Ouellette

D824,625 S * 7/2018 Gooden D32/46

D828,969 S * 9/2018 Brady D32/40

2010/0229318 A1 9/2010 Sparks

2014/0325781 A1 11/2014 Sauzek

2016/0235272 A1 8/2016 Azelton

FOREIGN PATENT DOCUMENTS

WO WO D019077-001 * 5/1991

WO WO 2015-077422 5/2015

OTHER PUBLICATIONS

3M Scotch-Brite Heavy-Duty Dishwand | Canadian Tire website reviews 2015, <https://www.canadiantire.ca/en/pdp/3m-scotch-brite-heavy-duty-dishwand-0429381p.html>, site visited Apr. 25, 2019.*
Design U.S. Appl. No. 29/644,777, filed Apr. 20, 2018.

* cited by examiner

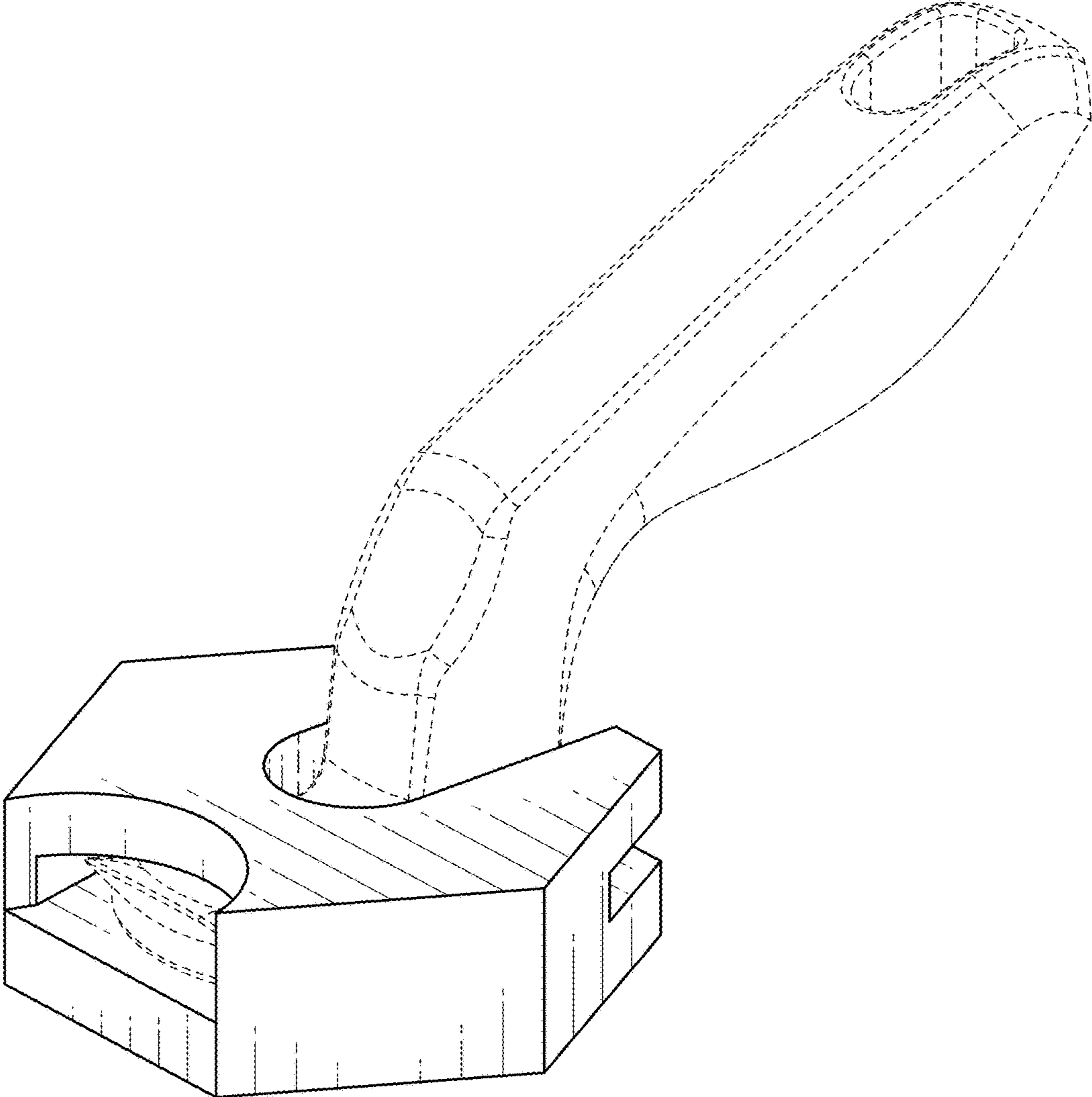


FIG. 1

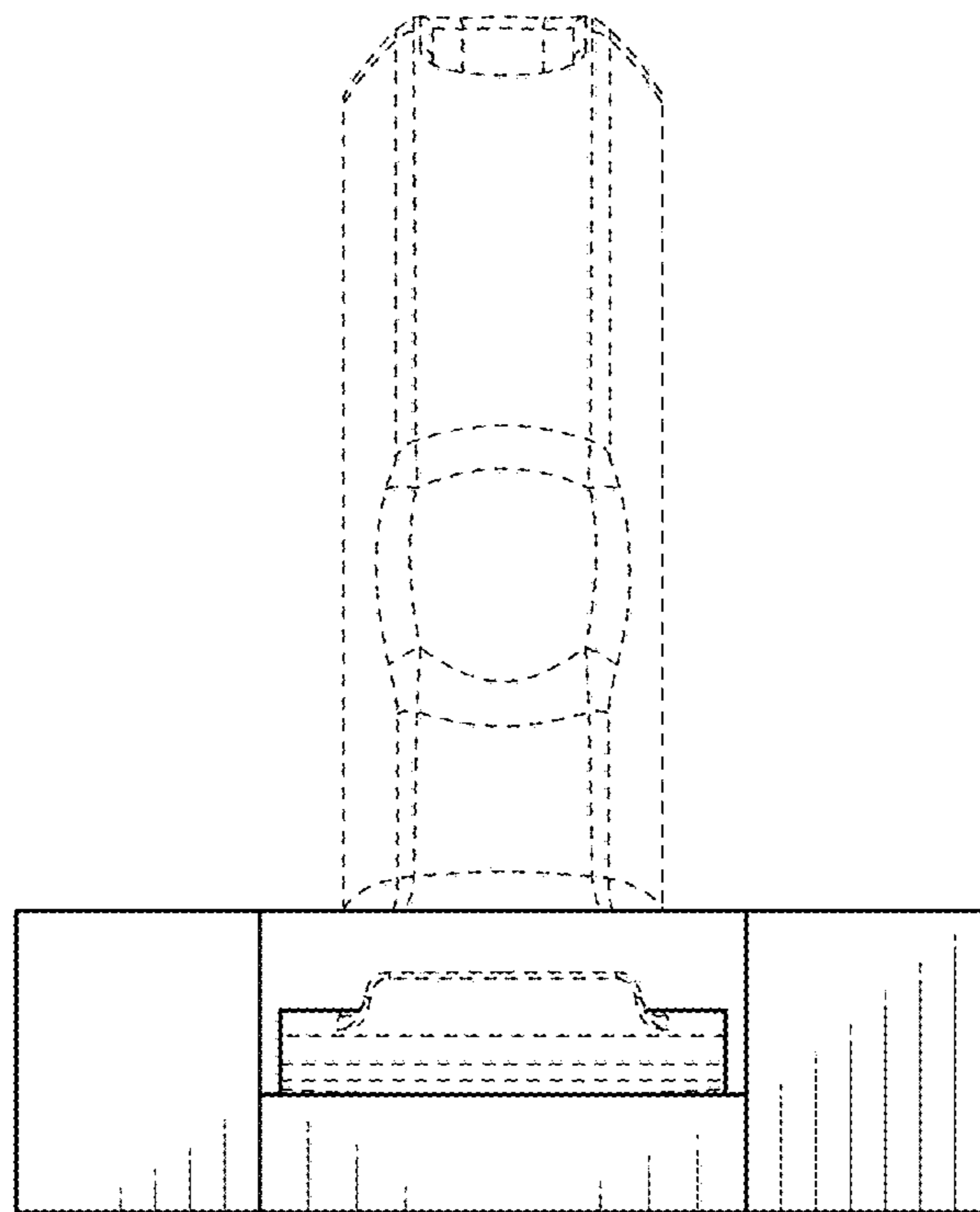


FIG. 2

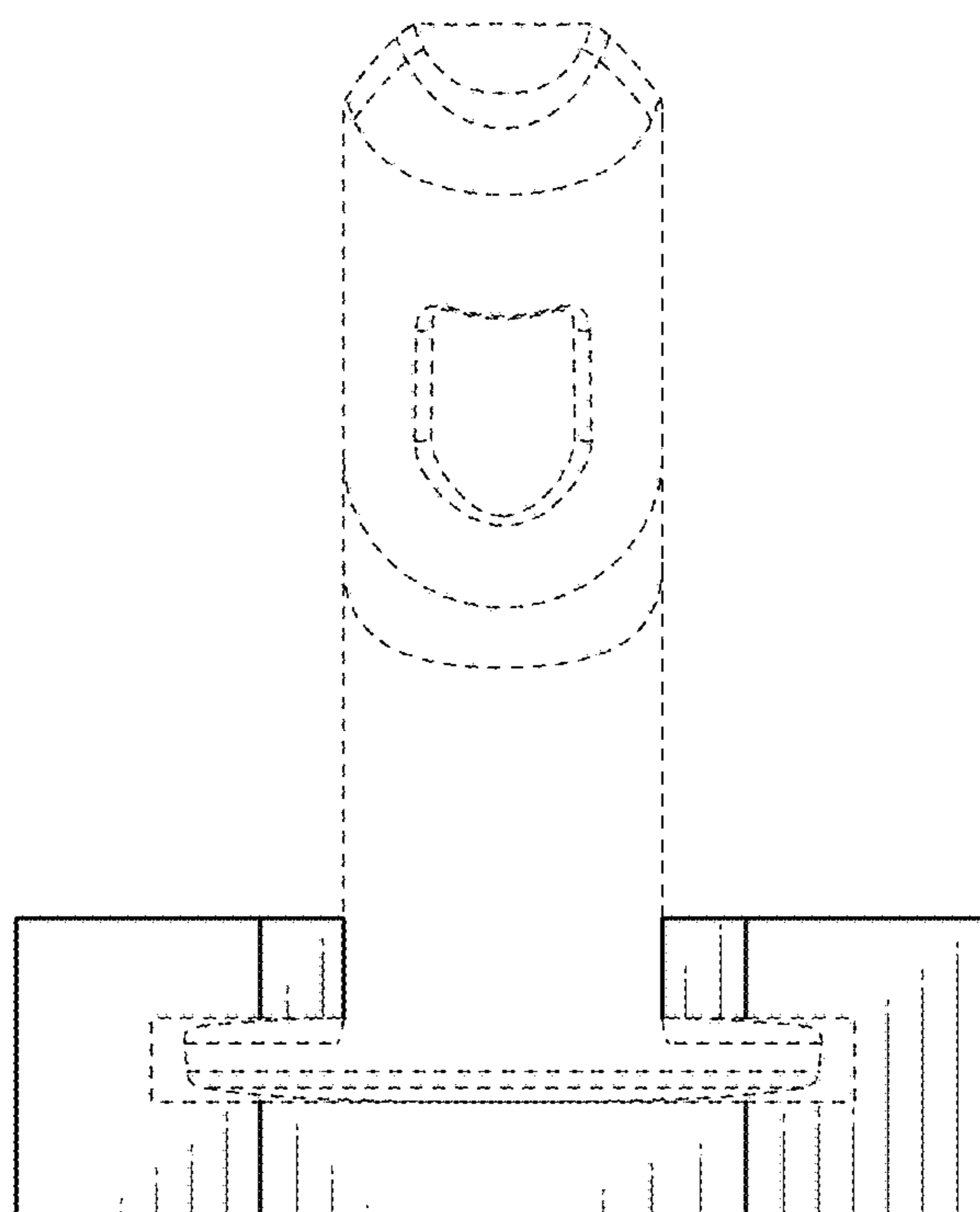


FIG. 3

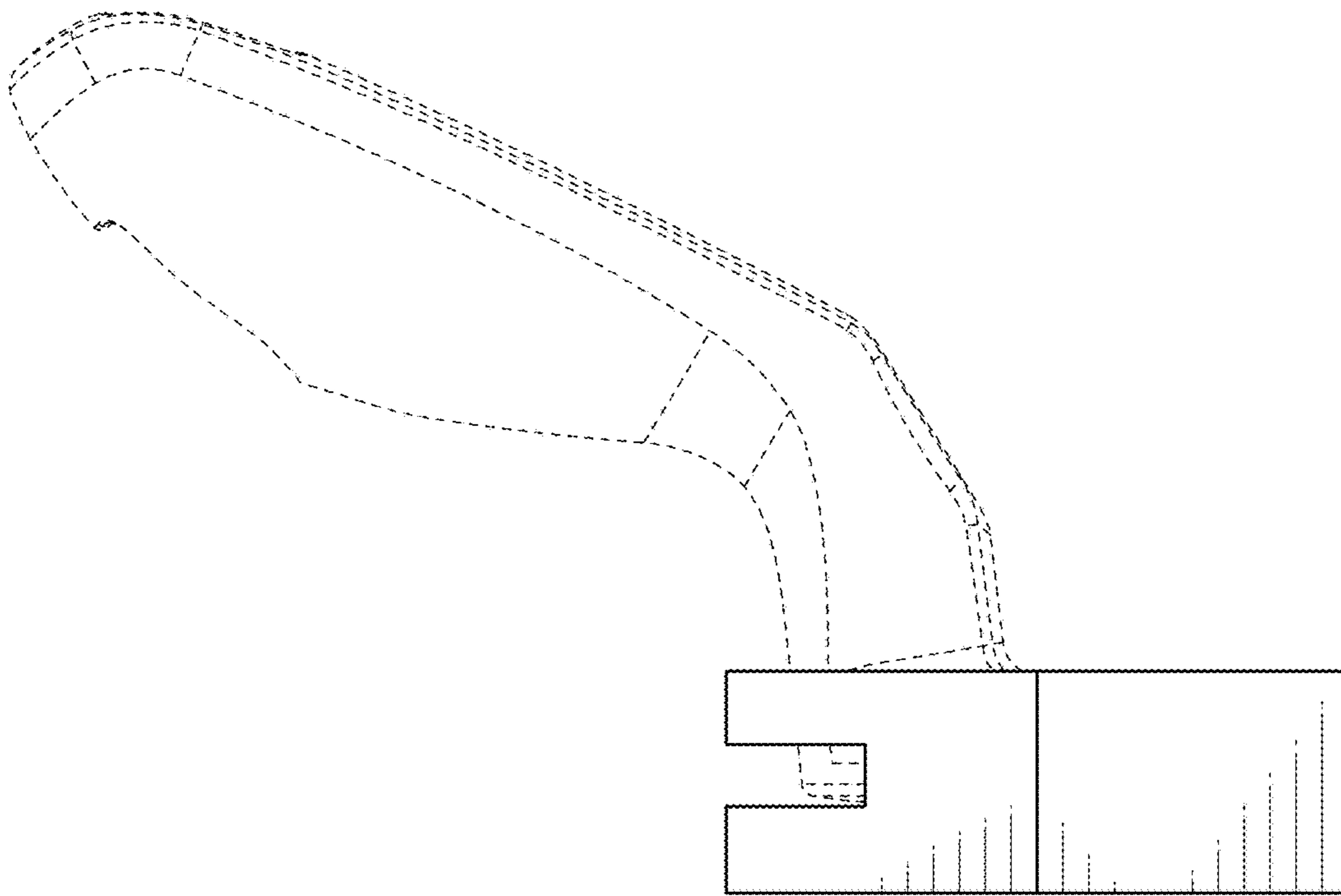


FIG. 4

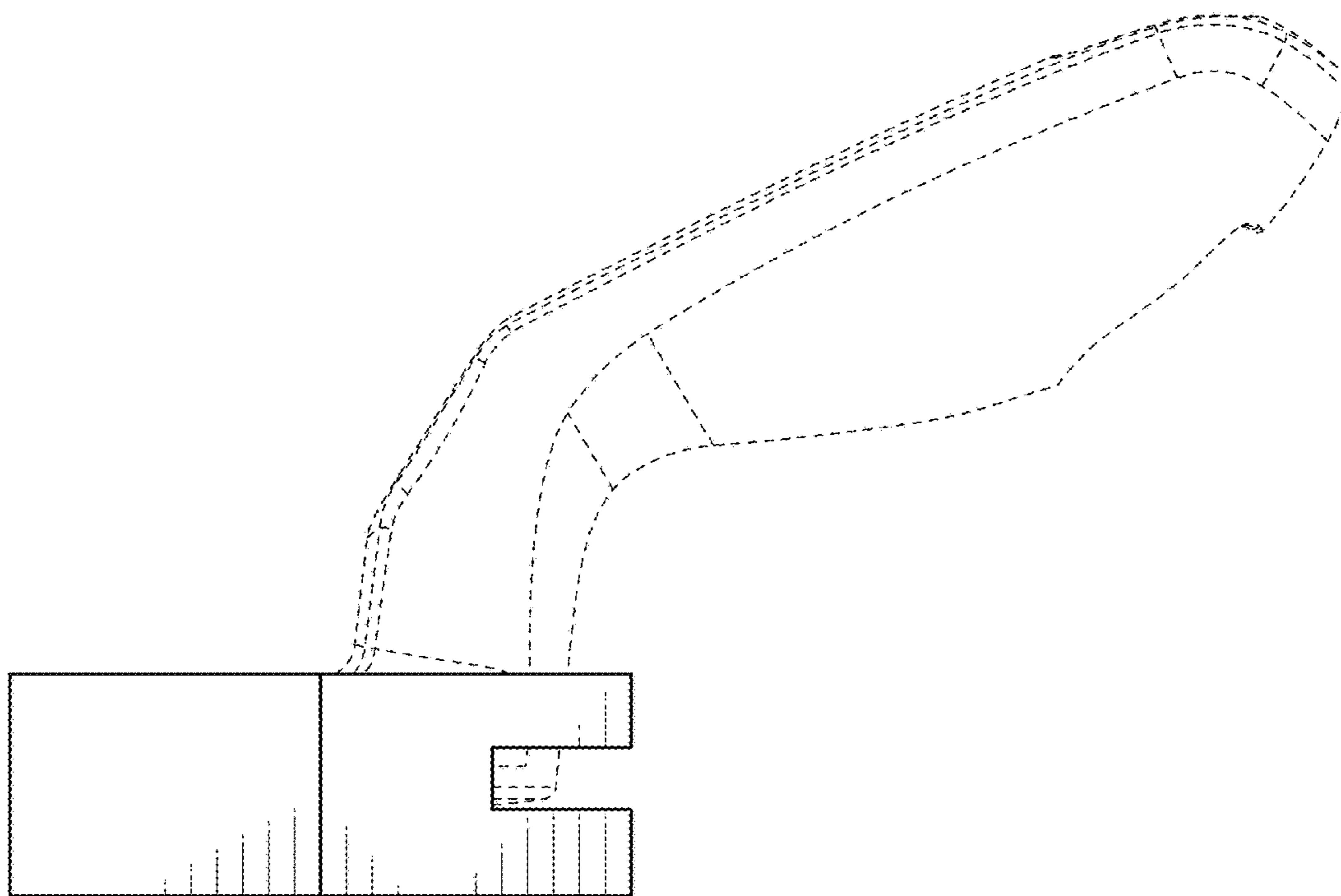


FIG. 5

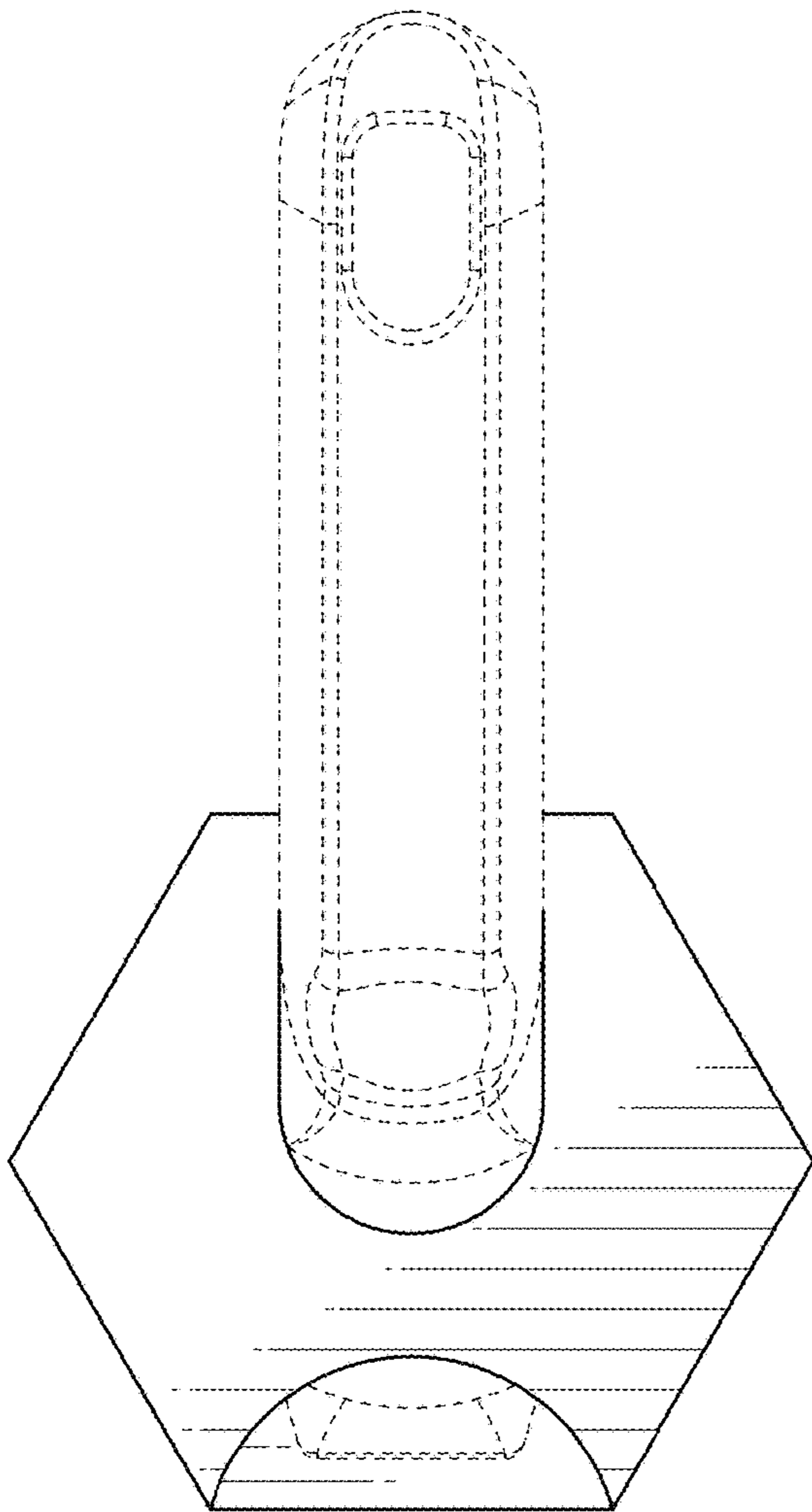


FIG. 6

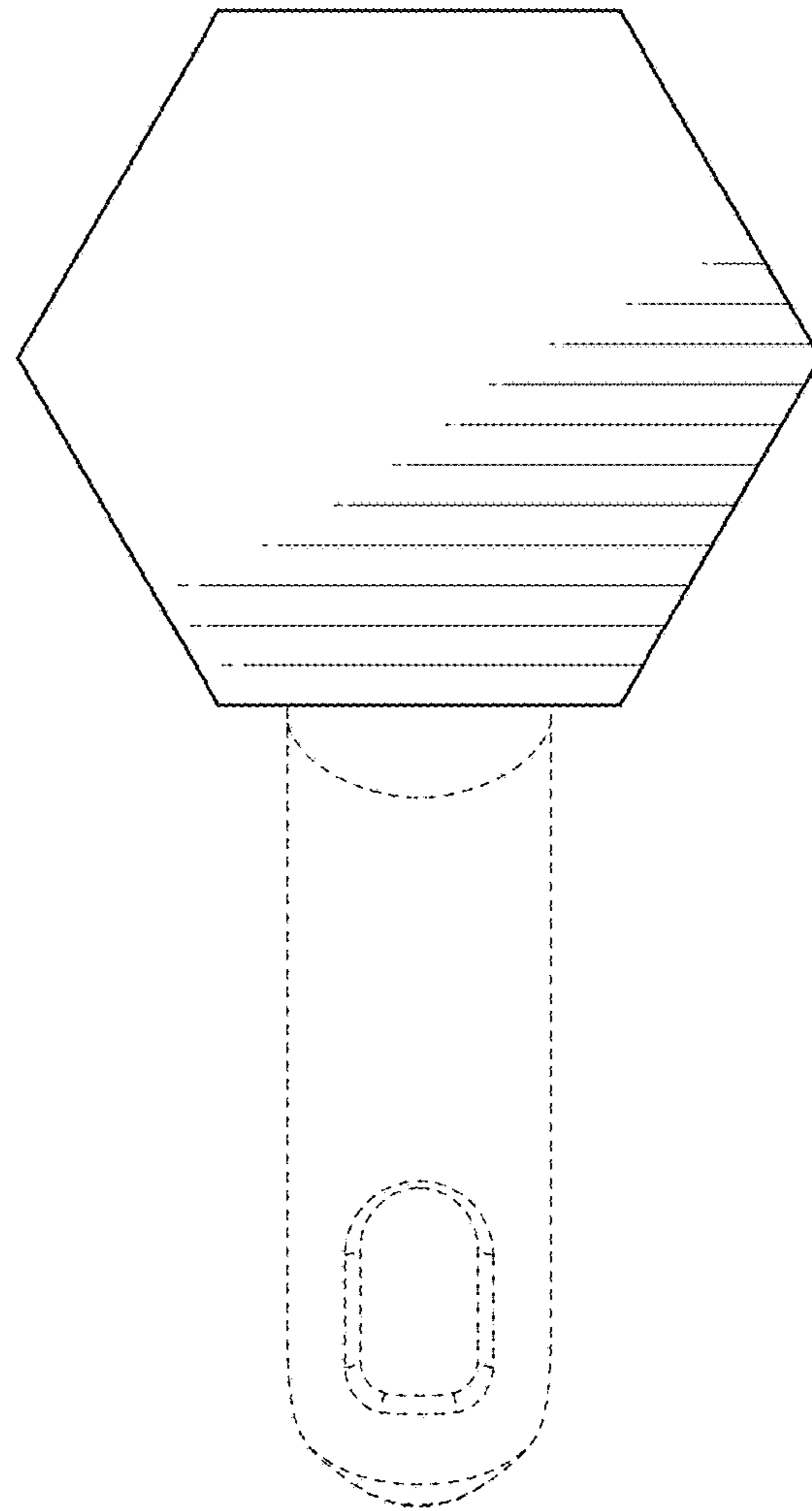


FIG. 7

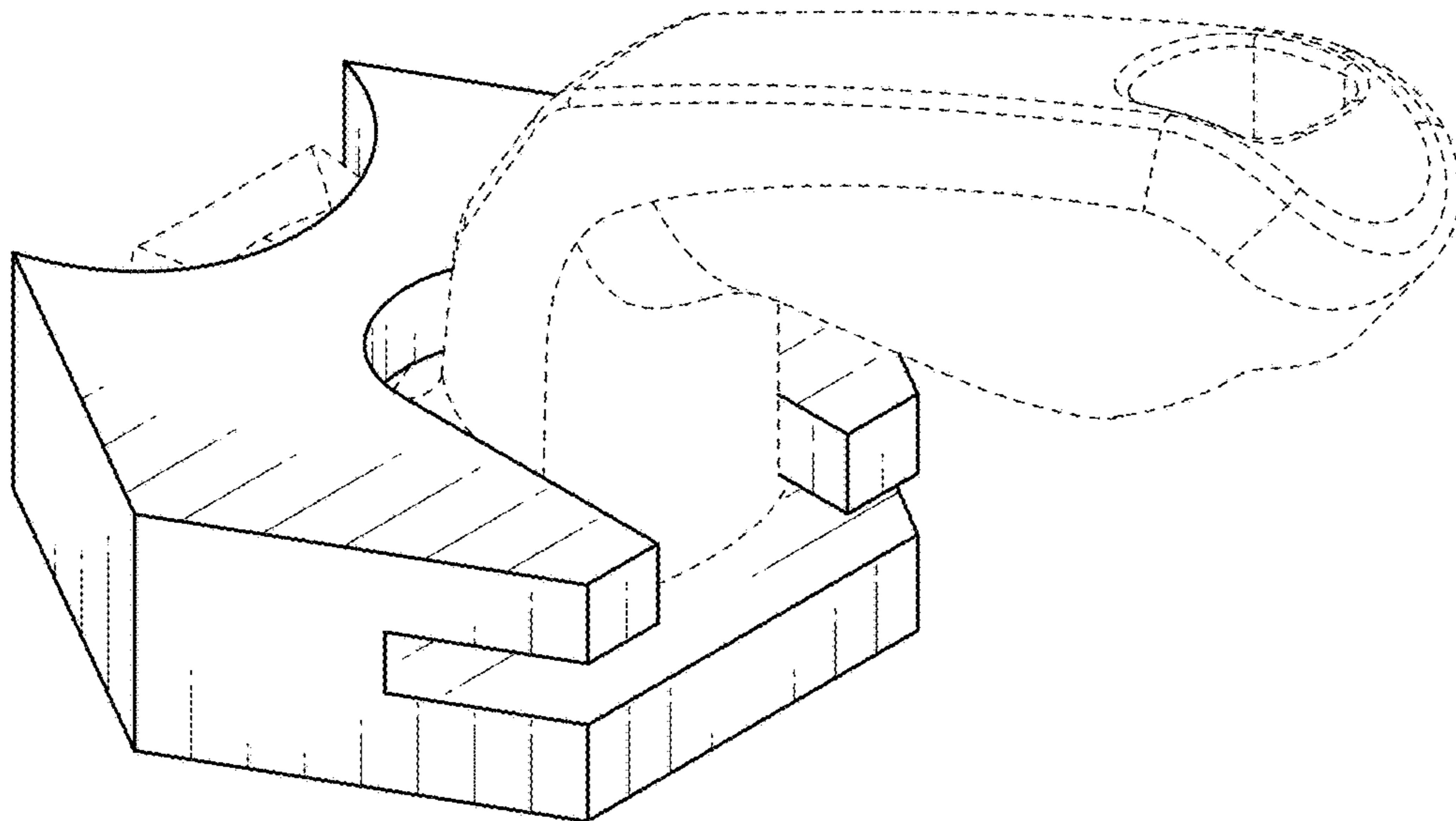


FIG. 8