

US00D862819S

(12) **United States Design Patent** (10) **Patent No.:** **US D862,819 S**
Xu (45) **Date of Patent:** **** Oct. 8, 2019**

(54) **WIRELESS HAND-HELD VACUUM CLEANER**

(71) Applicant: **Yixuan Xu**, Shenzhen (CN)

(72) Inventor: **Yixuan Xu**, Shenzhen (CN)

(**) Term: **15 Years**

(21) Appl. No.: **29/697,597**

(22) Filed: **Jul. 10, 2019**

(51) **LOC (12) Cl.** **15-05**

(52) **U.S. Cl.**
USPC **D32/18**

(58) **Field of Classification Search**
USPC D32/17-18, 31, 22, 34; 15/328, 344
CPC ... A47L 5/24; A47L 5/26; A47L 5/362; A47L 5/36; A47L 5/28; A47L 9/102; A47L 9/1683; A47L 9/32

See application file for complete search history.

(56) **References Cited**

U.S. PATENT DOCUMENTS

D421,671 S *	3/2000	Thomas	D32/18
D437,983 S *	2/2001	Stratford	D32/18
D440,719 S *	4/2001	Stratford	D32/18
D440,720 S *	4/2001	Stratford	D32/18
D441,151 S *	4/2001	Stratford	D32/18
D441,152 S *	4/2001	Stratford	D32/18
D441,926 S *	5/2001	Stratford	D32/18
6,434,785 B1 *	8/2002	Vandenbelt	A47L 5/24 15/344
D509,930 S *	9/2005	Stratford	D32/18
D564,153 S *	3/2008	Fjellman	D32/18
D565,811 S *	4/2008	Fjellman	D32/18
D565,812 S *	4/2008	Fjellman	D32/18
D844,266 S *	3/2019	Wang	D32/18

FOREIGN PATENT DOCUMENTS

EM 004124733-0001 7/2017

OTHER PUBLICATIONS

<http://www.amazon.com/dp/B07QH5JV8K> (Jun. 2019).
<http://www.amazon.com/dp/B07TBVXXV4> (Jun. 2019).
<http://www.amazon.com/dp/B07QJ8FYF> (Jun. 2019).
https://www.alibaba.com/product-detail/Factory-hot-sale-hand-vacuum-cleaner_62059920249.html?spm=a2700.7724838.2017115.139.19c4572aTFnpYq (Mar. 2019).
<https://www.tradekorea.com/product/detail/P667665/Made-In-Korea-Cordless-Vacuum-Cleaner-2-in-1-SSAKS-LIGHT.html>.

* cited by examiner

Primary Examiner — Ruth McInroy
(74) *Attorney, Agent, or Firm* — KA Filing LLC; Wayne V. Harper

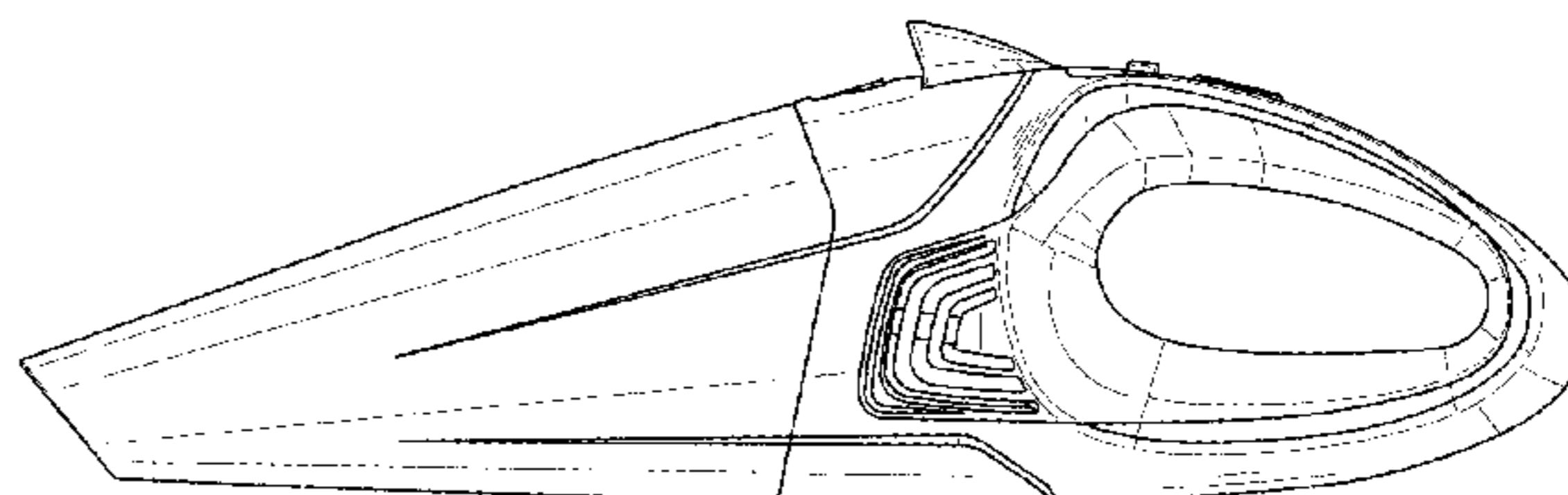
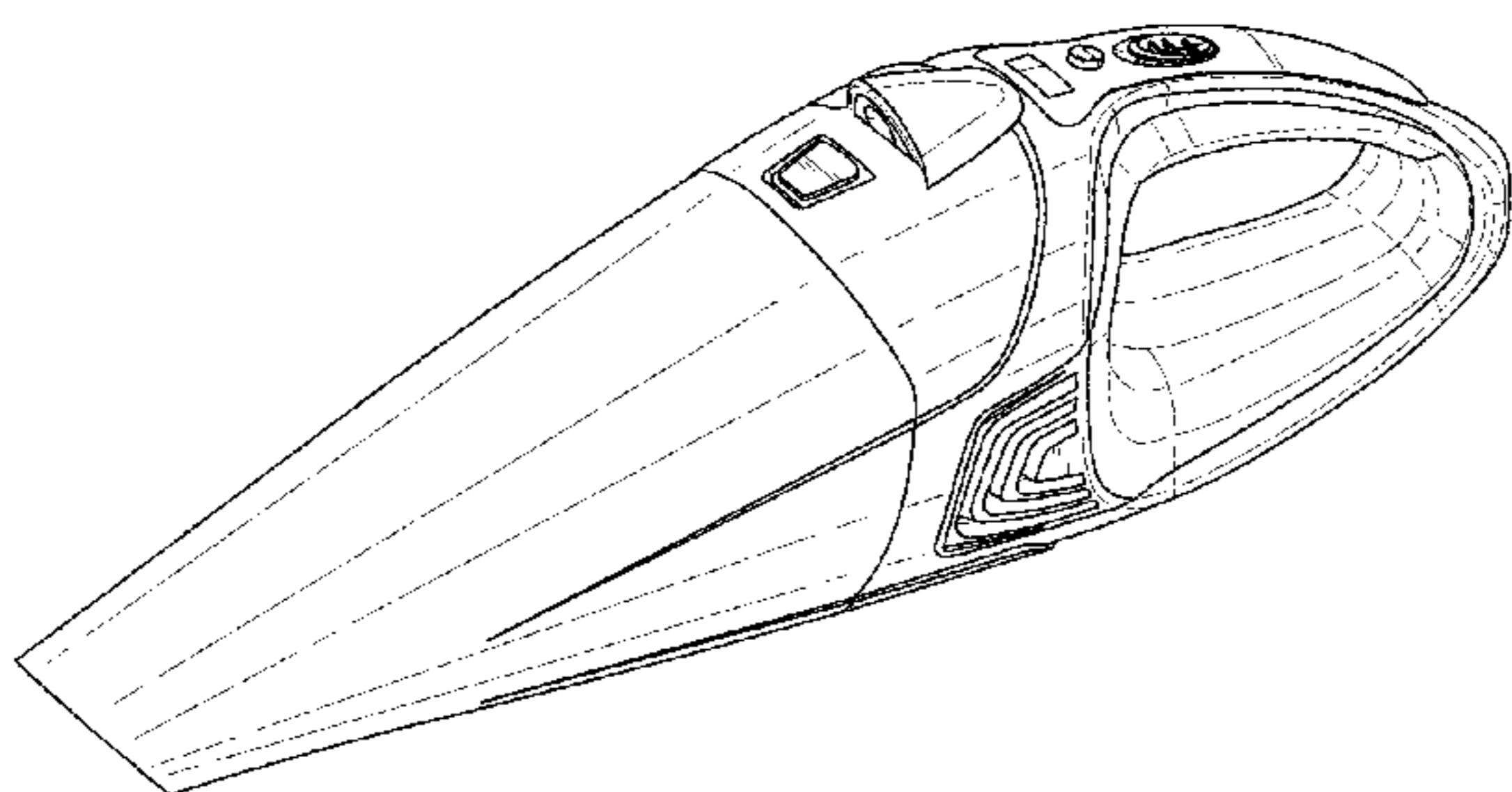
(57) **CLAIM**

I claim the ornamental design for a wireless hand-held vacuum cleaner, as shown and described.

DESCRIPTION

FIG. 1 is a perspective view of a wireless hand-held vacuum cleaner showing my new design;
FIG. 2 is a right-side view thereof;
FIG. 3 is a left-side view thereof;
FIG. 4 is a top view thereof;
FIG. 5 is a bottom view thereof;
FIG. 6 is a front view thereof; and,
FIG. 7 is a back view thereof.

1 Claim, 6 Drawing Sheets



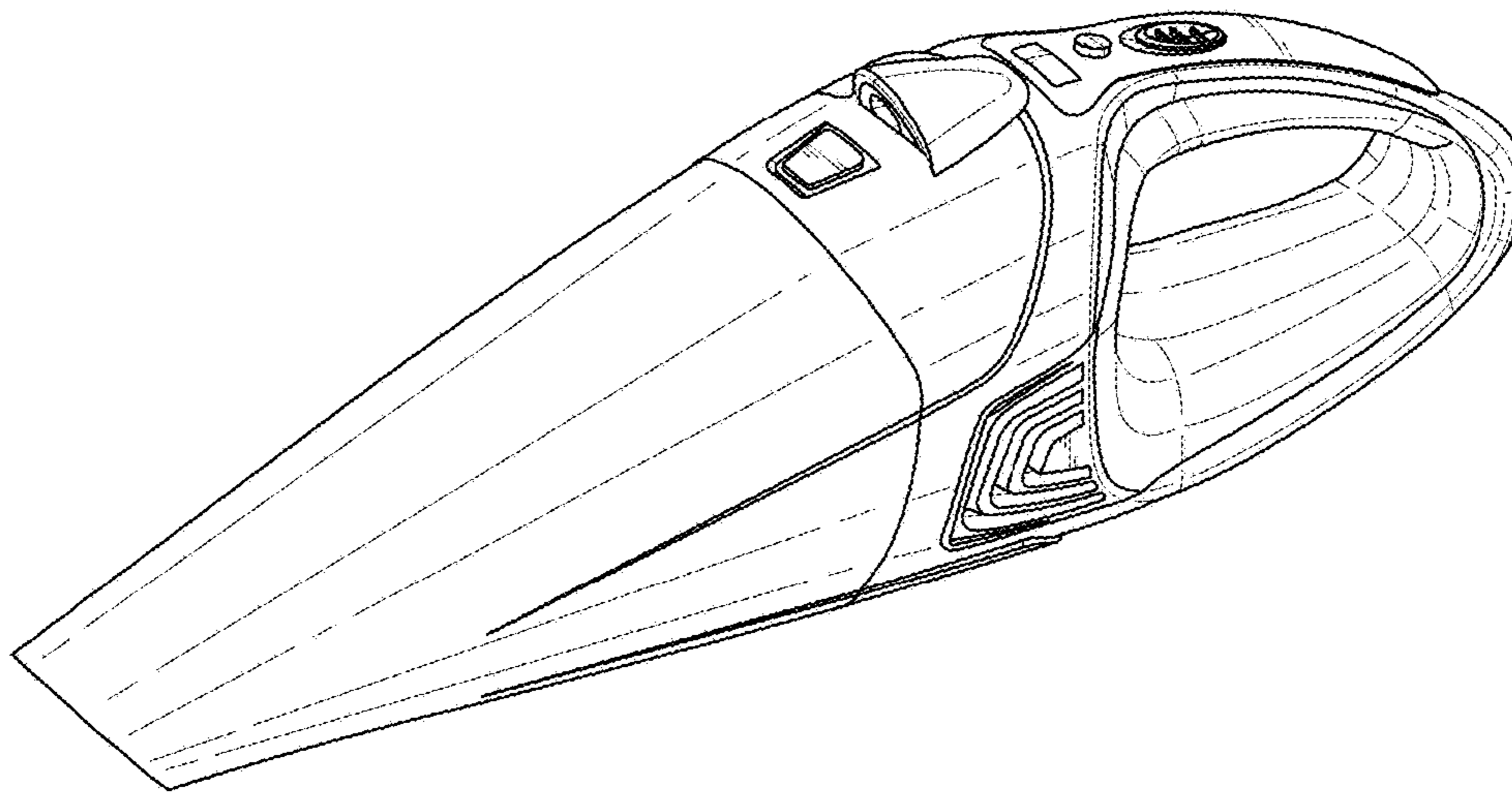


FIG. 1

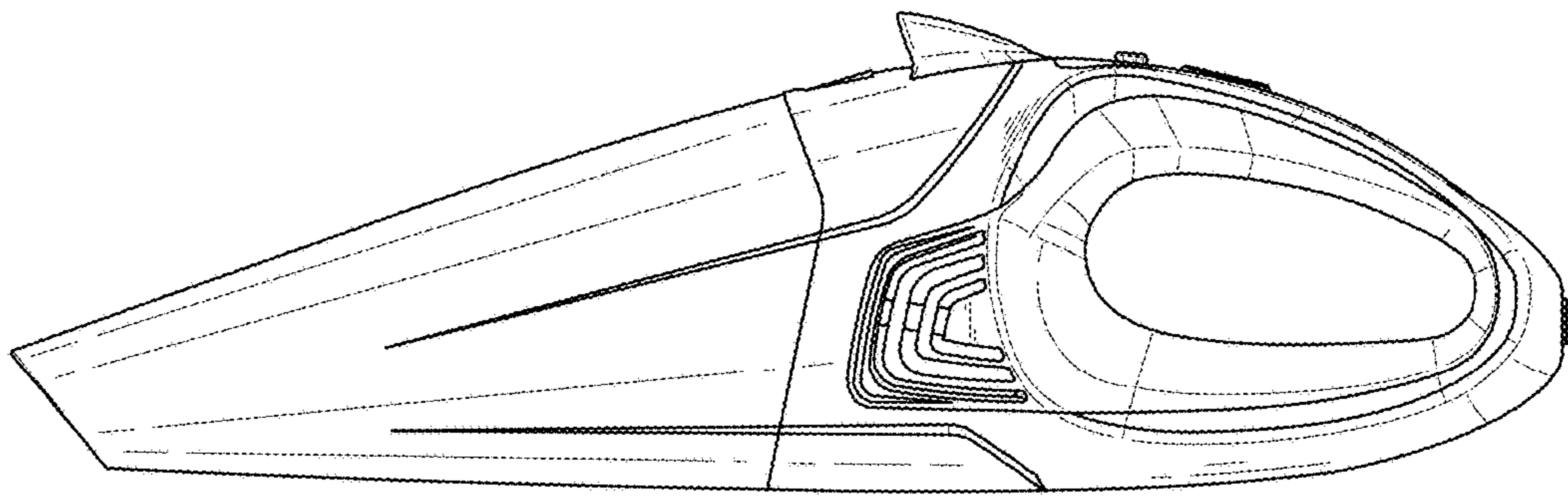


FIG. 2

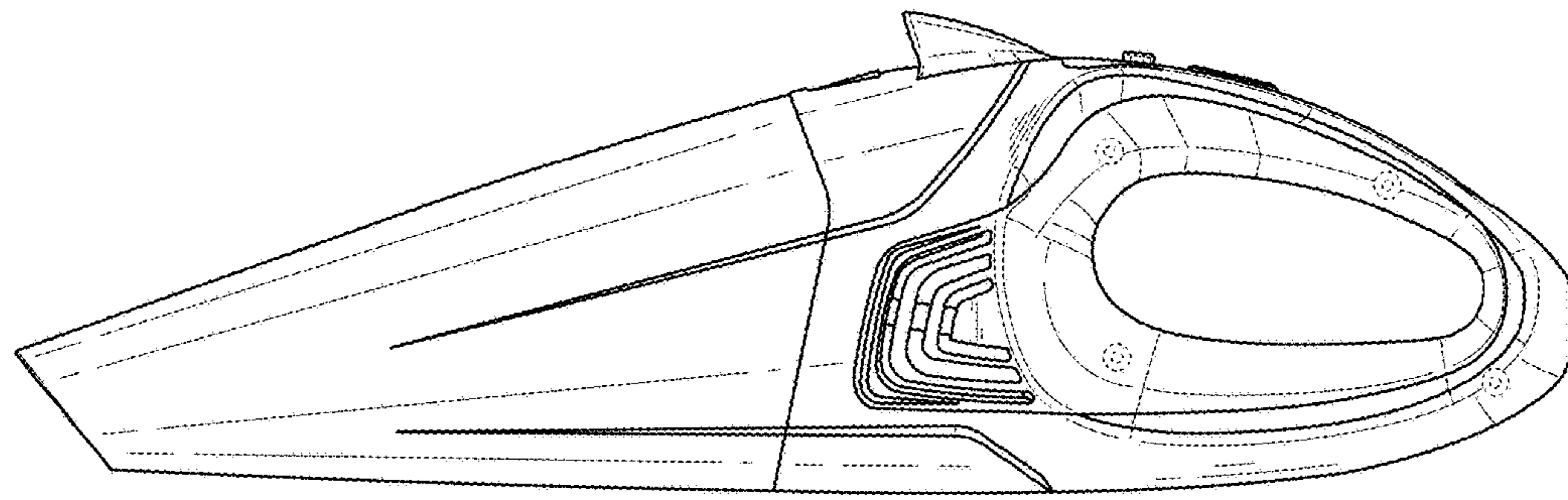


FIG. 3

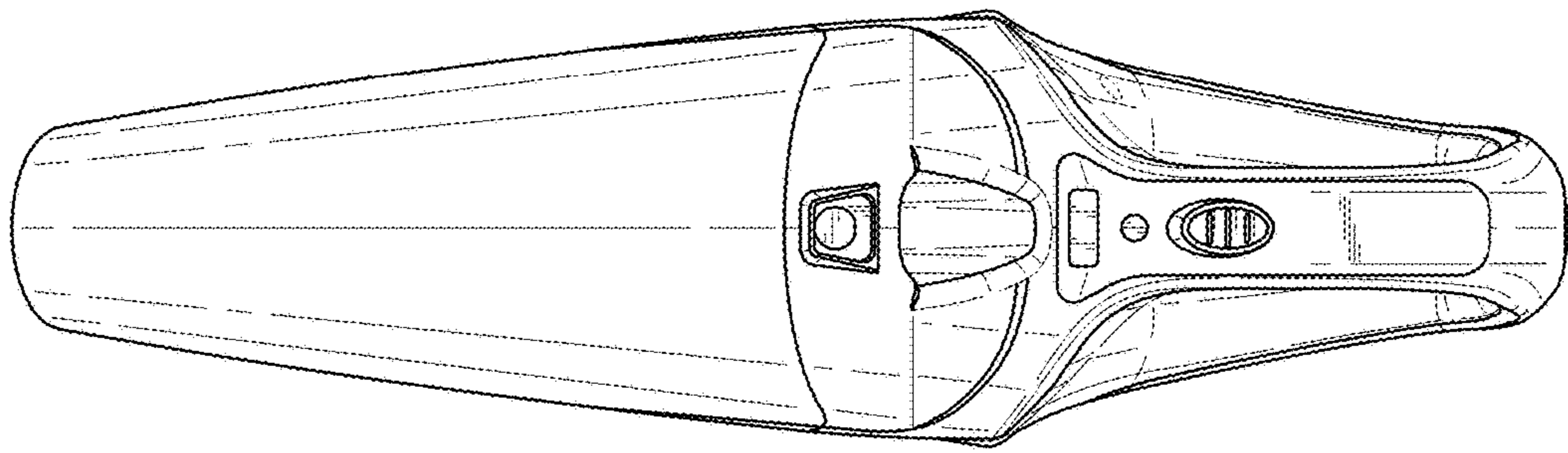


FIG. 4

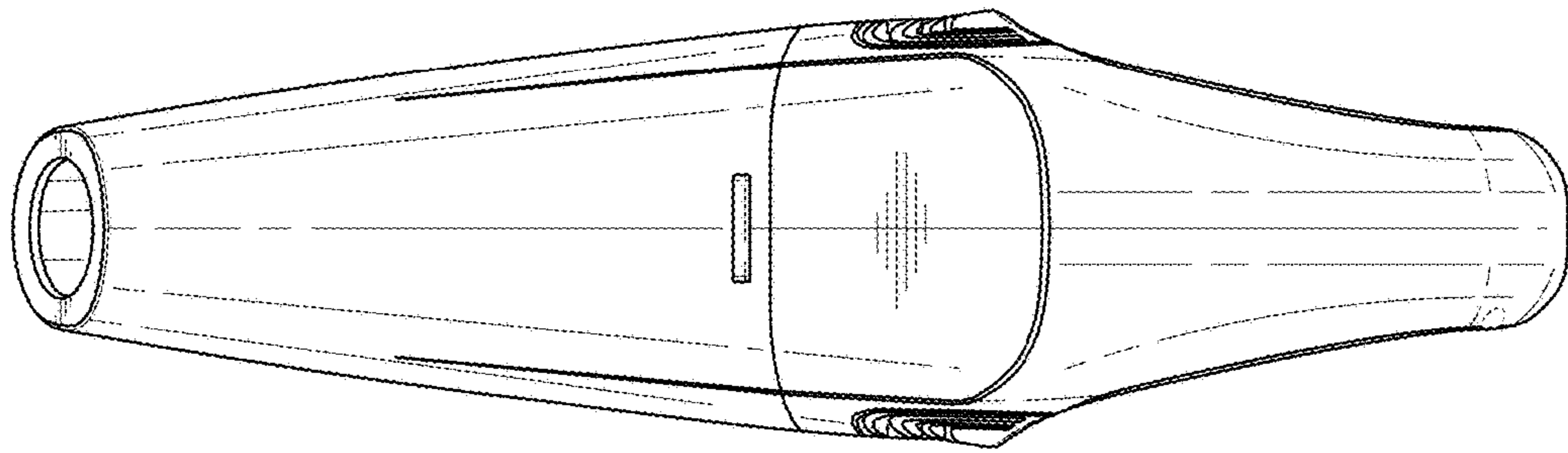


FIG. 5

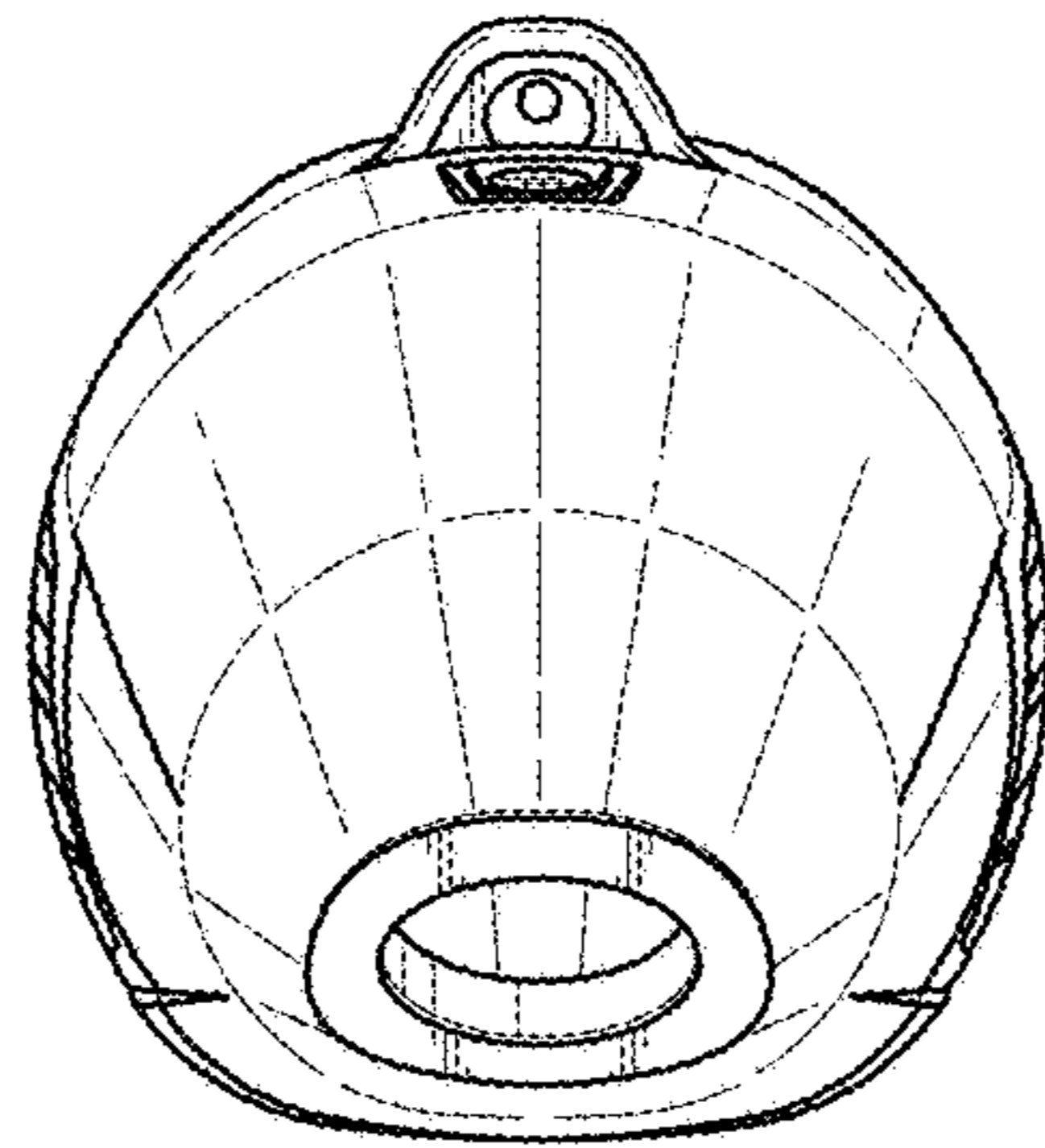


FIG. 6

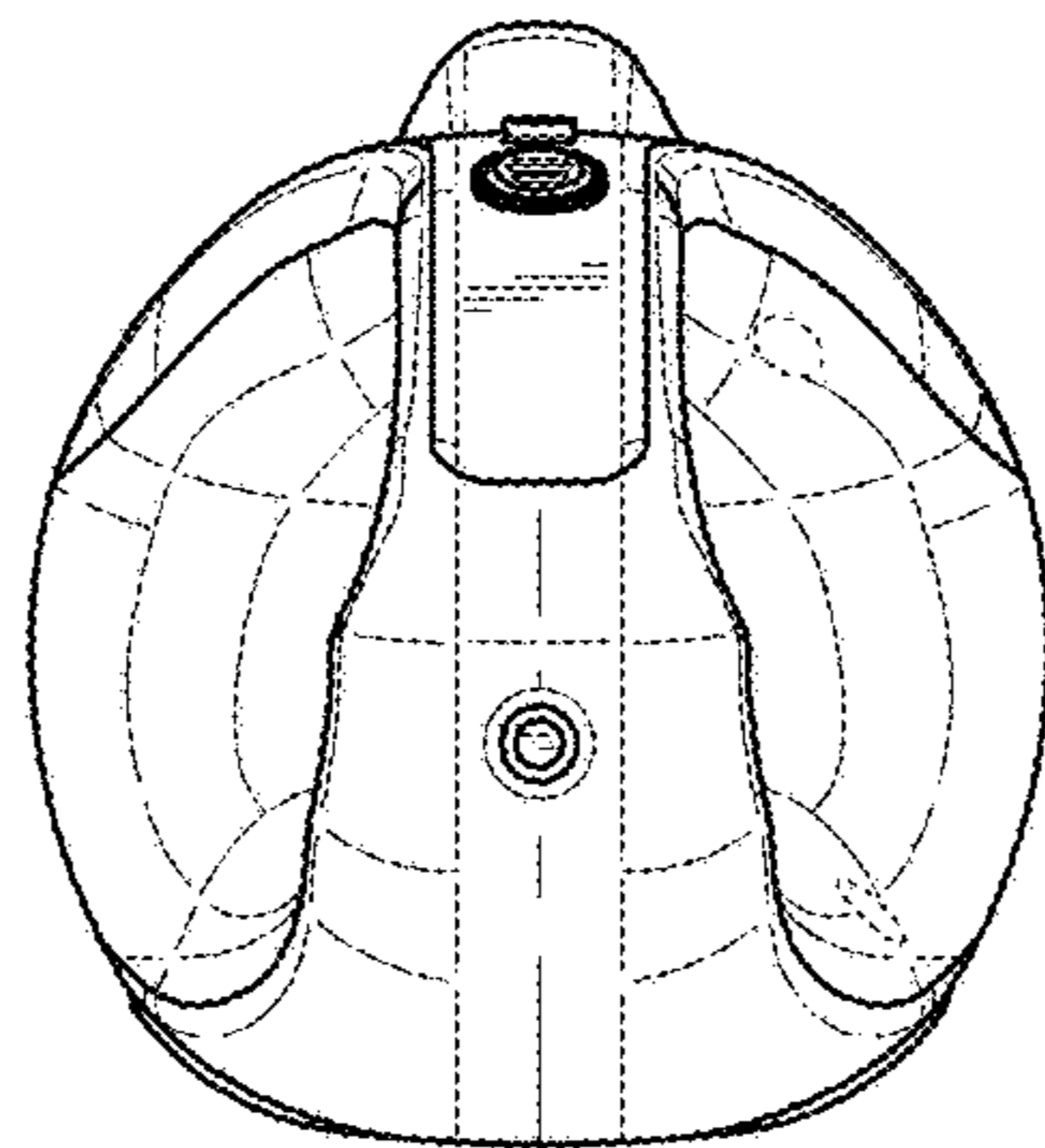


FIG. 7