

US00D862817S

(12) **United States Design Patent** (10) **Patent No.:** **US D862,817 S**
Baxter et al. (45) **Date of Patent:** **** Oct. 8, 2019**

- (54) **SCRUBBER**
- (71) Applicant: **BLACK & DECKER INC.**, New Britain, CT (US)
- (72) Inventors: **Mark Baxter**, Tyne & Wear (GB); **Stephen Houghton**, Newcastle upon Tyne (GB); **Martin Harnett**, Stockton on Tees (GB); **Robert P. Welsh**, Phoenix, MD (US)
- (73) Assignee: **Black & Decker, Inc.**, New Britain, CT (US)
- (**) Term: **15 Years**
- (21) Appl. No.: **29/613,127**
- (22) Filed: **Aug. 8, 2017**
- (51) **LOC (12) Cl.** **15-05**
- (52) **U.S. Cl.**
USPC **D32/17; D32/34**
- (58) **Field of Classification Search**
USPC D32/1, 14, 0.1, 17, 19, 23, 35, 52; D4/100, 101, 102, 127, 130, 138, 199; D28/48, 49, 58, 73; D24/113; D19/35, D19/108; D8/61, 62; 15/21.1, 22.1, 23, 15/24, 28, 29, 143.1, 146, 159.1, 180, 15/229.11, 229.13, 244.1; 16/430; 451/111, 177, 259, 548, 557
CPC A46B 15/0081; A46B 2200/1026; A46B 3/22; A46B 9/005; A46B 9/026; A46B 9/06; A46B 2200/1053; B08B 11/02; A45D 44/00
See application file for complete search history.

- D281,035 S * 10/1985 Herzfeld D4/102
 - D570,116 S * 6/2008 Evans D4/102
 - D646,487 S * 10/2011 Leppla D4/102
 - D739,145 S * 9/2015 von Berg D4/102
 - 9,272,141 B2 * 3/2016 Nichols A61H 7/005
- (Continued)

FOREIGN PATENT DOCUMENTS

- CN 304334747 * 10/2017
- EM 004151850-0001 * 8/2017
- EM 004152460-0001 * 9/2017

OTHER PUBLICATIONS

MultiPurpose Sponges posted by Black and Decker posted date Dec. 13, 2017, © Amazon, [online], [site visited Feb. 13, 2019]. Available from Internet, <https://www.amazon.co.uk/Black-Decker-Multi-Purpose-Replacement-Sponges> (Year: 2017).*

(Continued)

Primary Examiner — Cynthia Ramirez
Assistant Examiner — Laura H Yu
(74) *Attorney, Agent, or Firm* — John Yun

(57) **CLAIM**

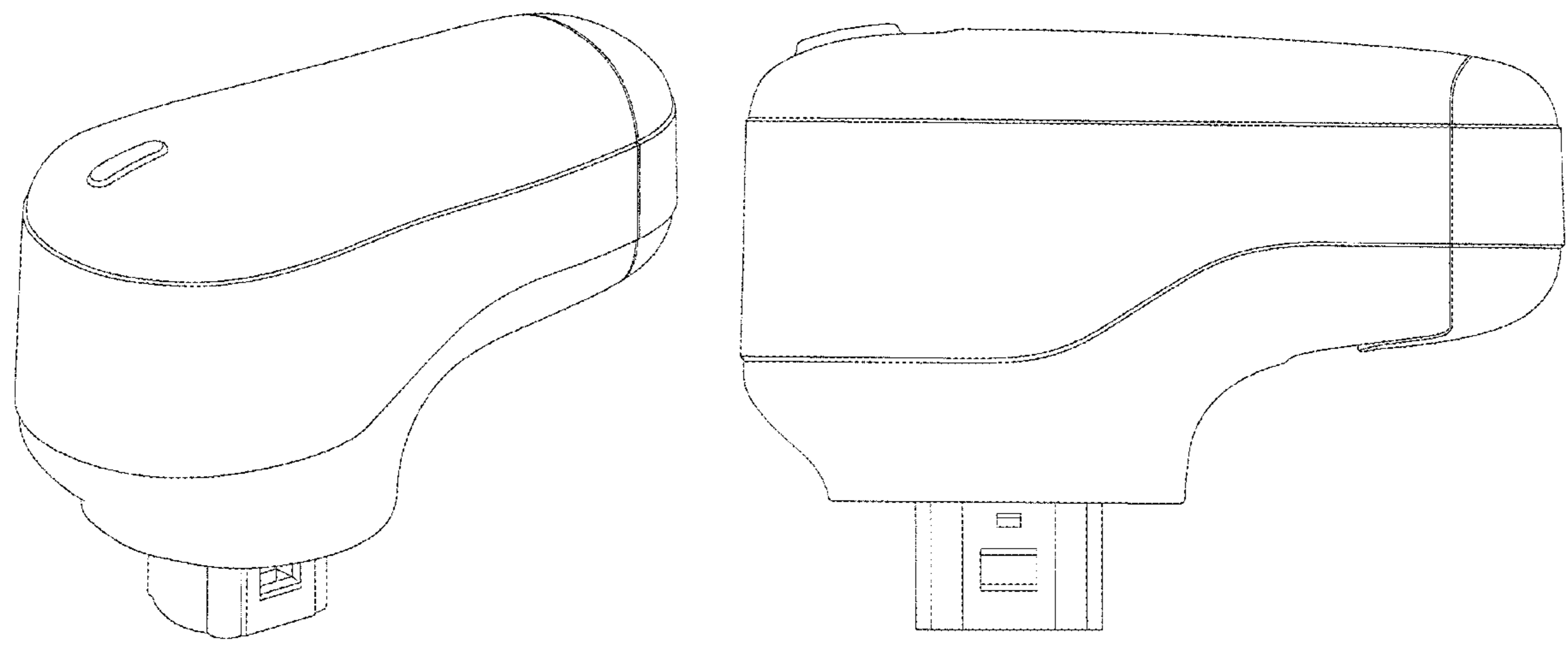
The ornamental design for a scrubber, as shown and described.

DESCRIPTION

FIG. 1 is a perspective view of a scrubber showing our new design;
FIG. 2 is a left side view thereof
FIG. 3 is a right side view thereof;
FIG. 4 is a front view thereof;
FIG. 5 is a rear view thereof;
FIG. 6 is a top plan view thereof; and,
FIG. 7 is a bottom plan view thereof.
The broken lines illustrate portions of the scrubber that form no part of the claimed design.

1 Claim, 7 Drawing Sheets

- (56) **References Cited**
U.S. PATENT DOCUMENTS
D226,043 S * 1/1973 Wolff D24/214
D245,948 S * 10/1977 Wolff D4/102
D250,228 S * 11/1978 Long D4/102



(56)

References Cited

U.S. PATENT DOCUMENTS

9,351,559 B2 * 5/2016 Pardo A46B 13/008
D781,588 S * 3/2017 Lee D4/102

OTHER PUBLICATIONS

Powered Scrubber posted by MultiVu posted date Aug. 14, 2017, © YouTube, [online], [site visited Feb. 13, 2019]. Available from Internet, <https://www.youtube.com/watch?v=JIBH25B-TS4> (Year: 2017).*

GrimeBuster posted by BlackandDecker posted date Oct. 13, 2017, © Amazon UK, [online], [site visited Feb. 13, 2019]. Available from Internet, <https://www.amazon.co.uk/BLACK-DECKER-BHPC130-GB-Power-Brush> (Year: 2017).*

* cited by examiner

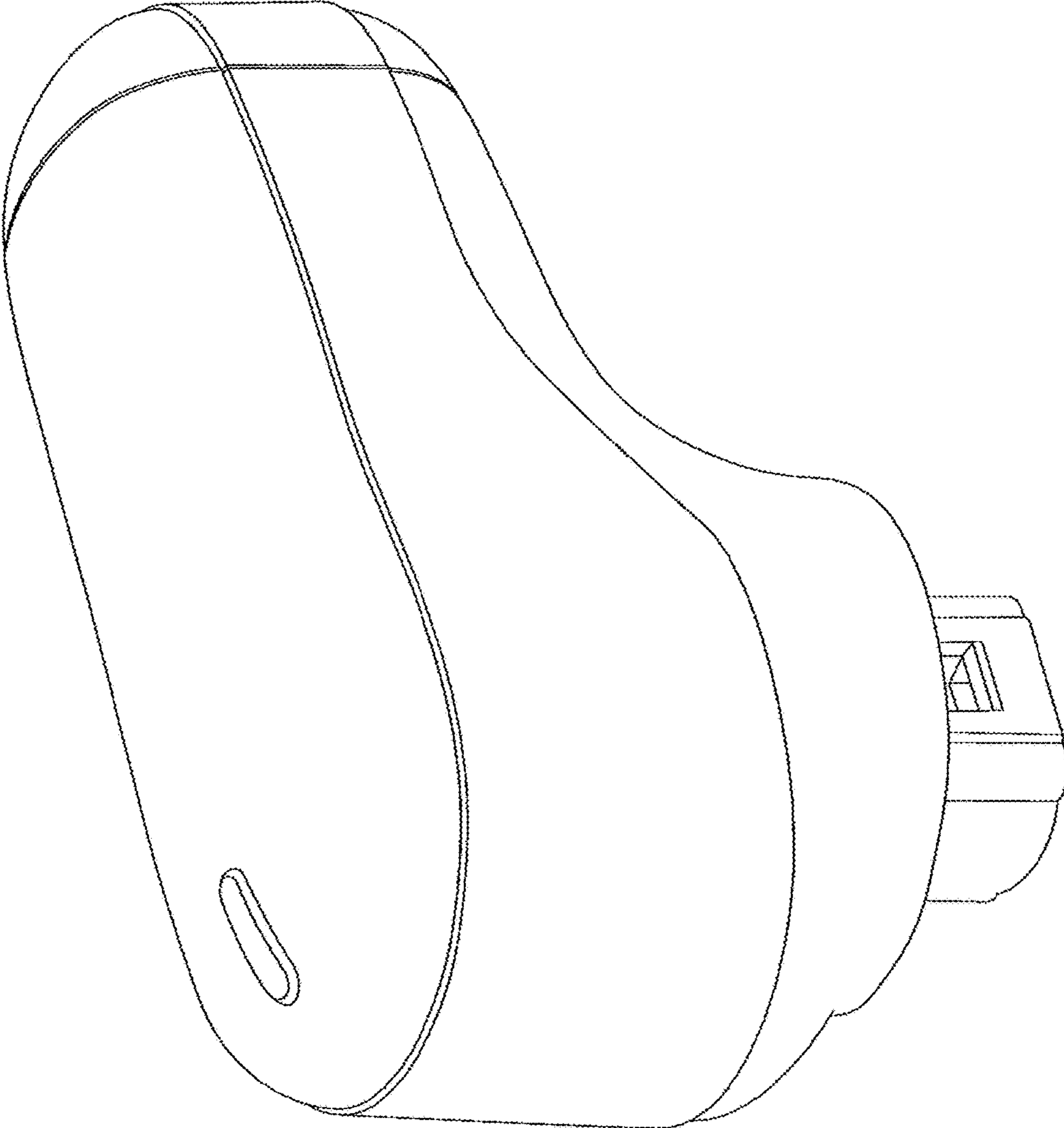


FIG. 1

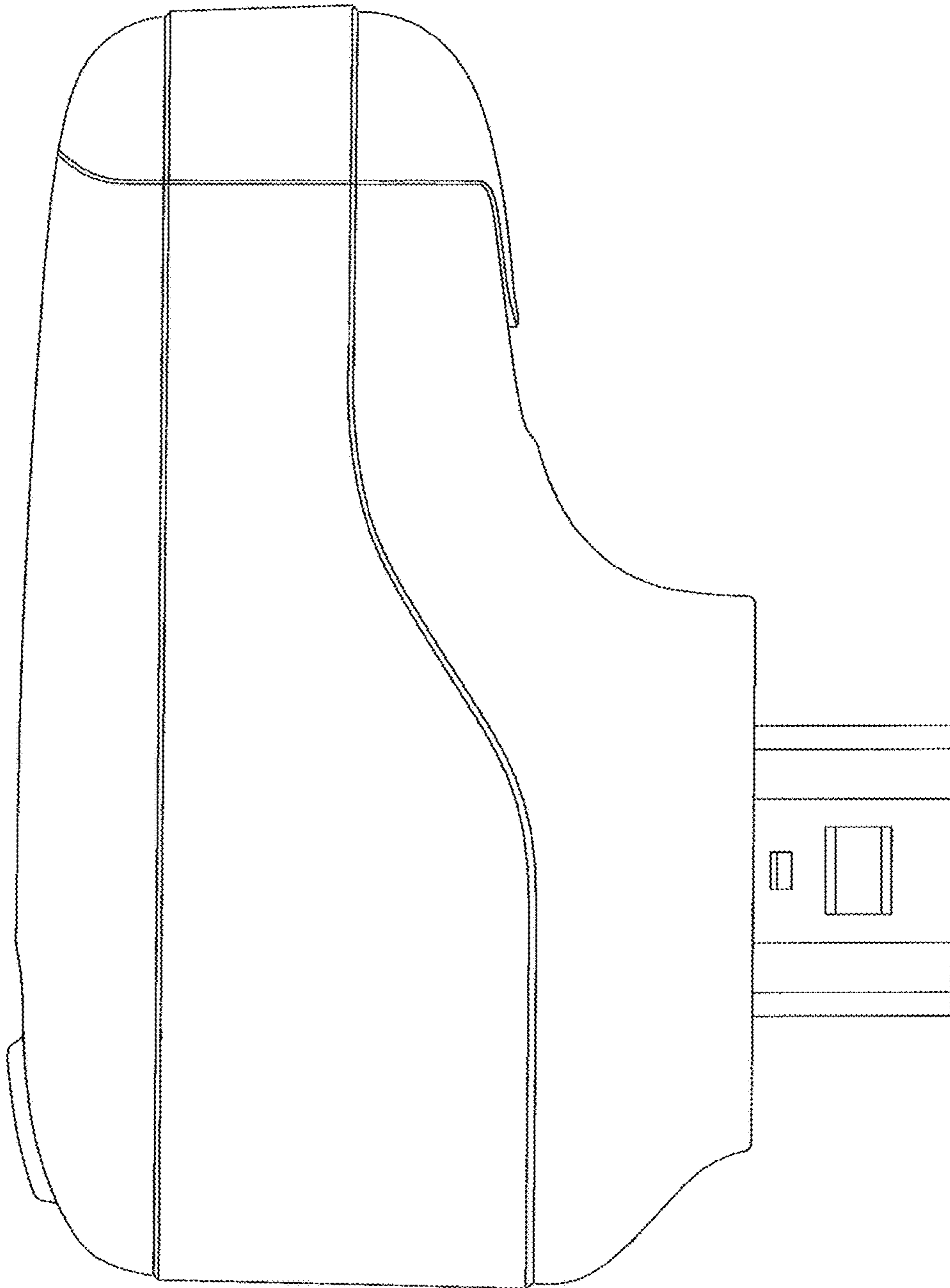


FIG. 2

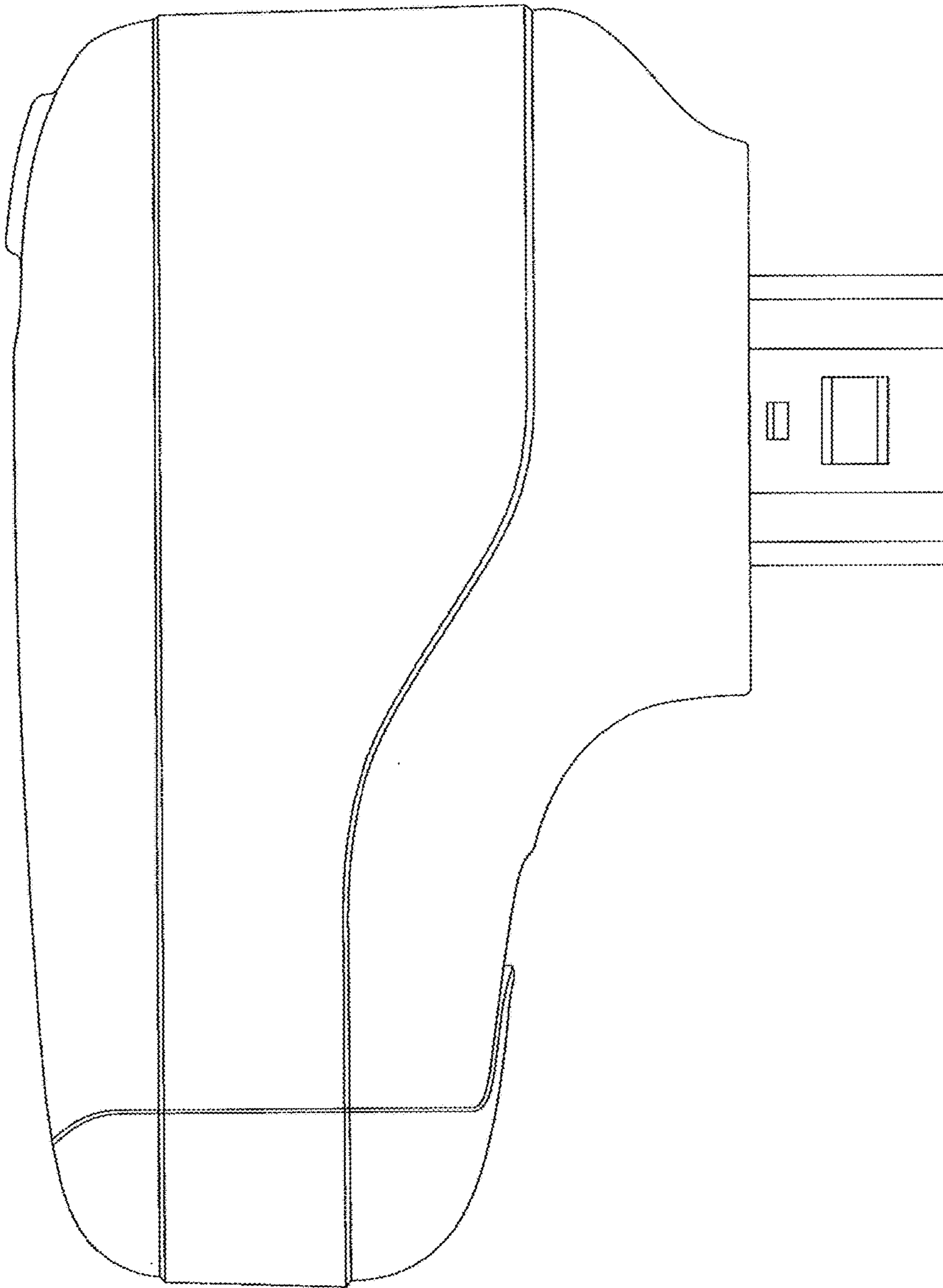


FIG. 3

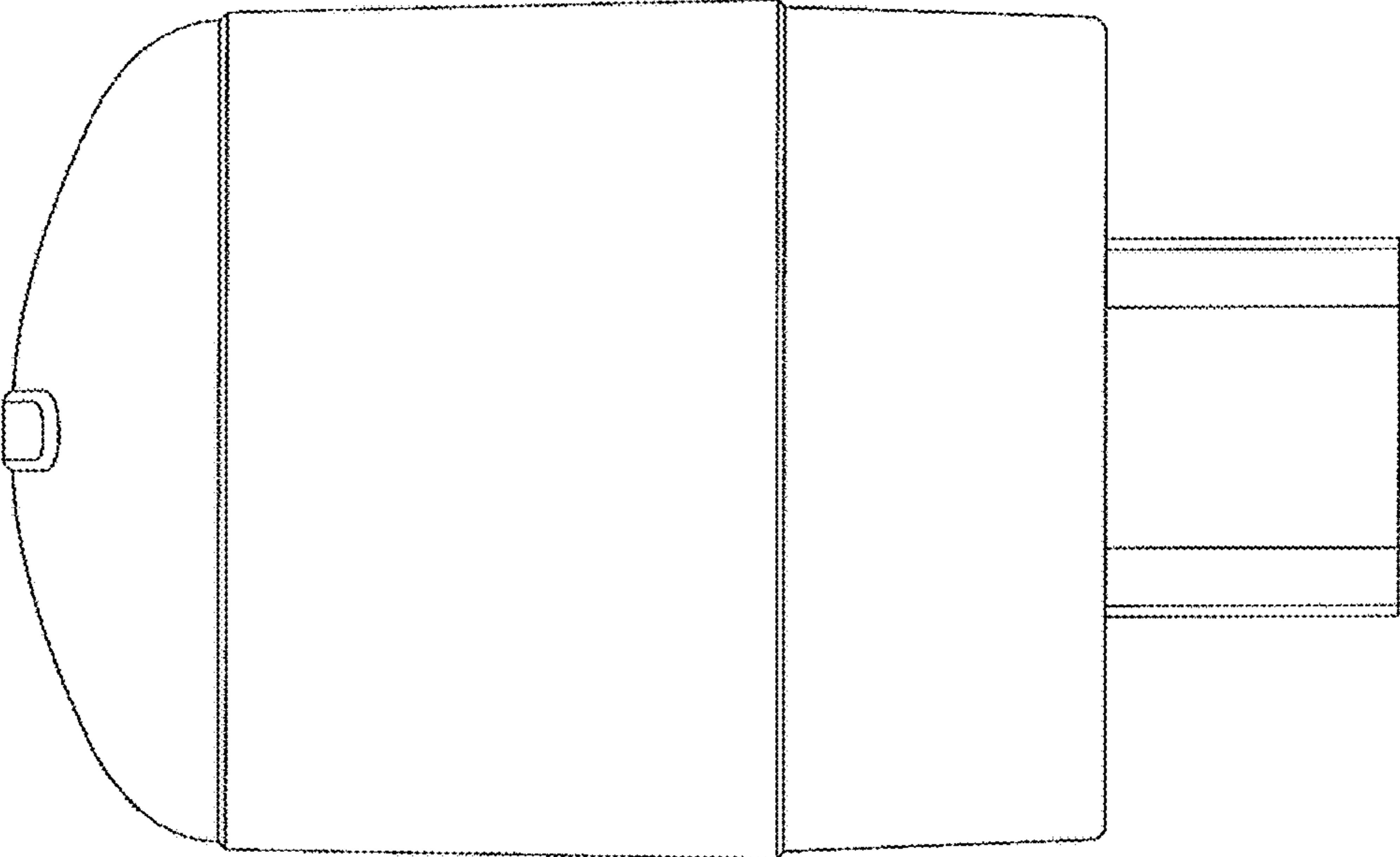


FIG. 4

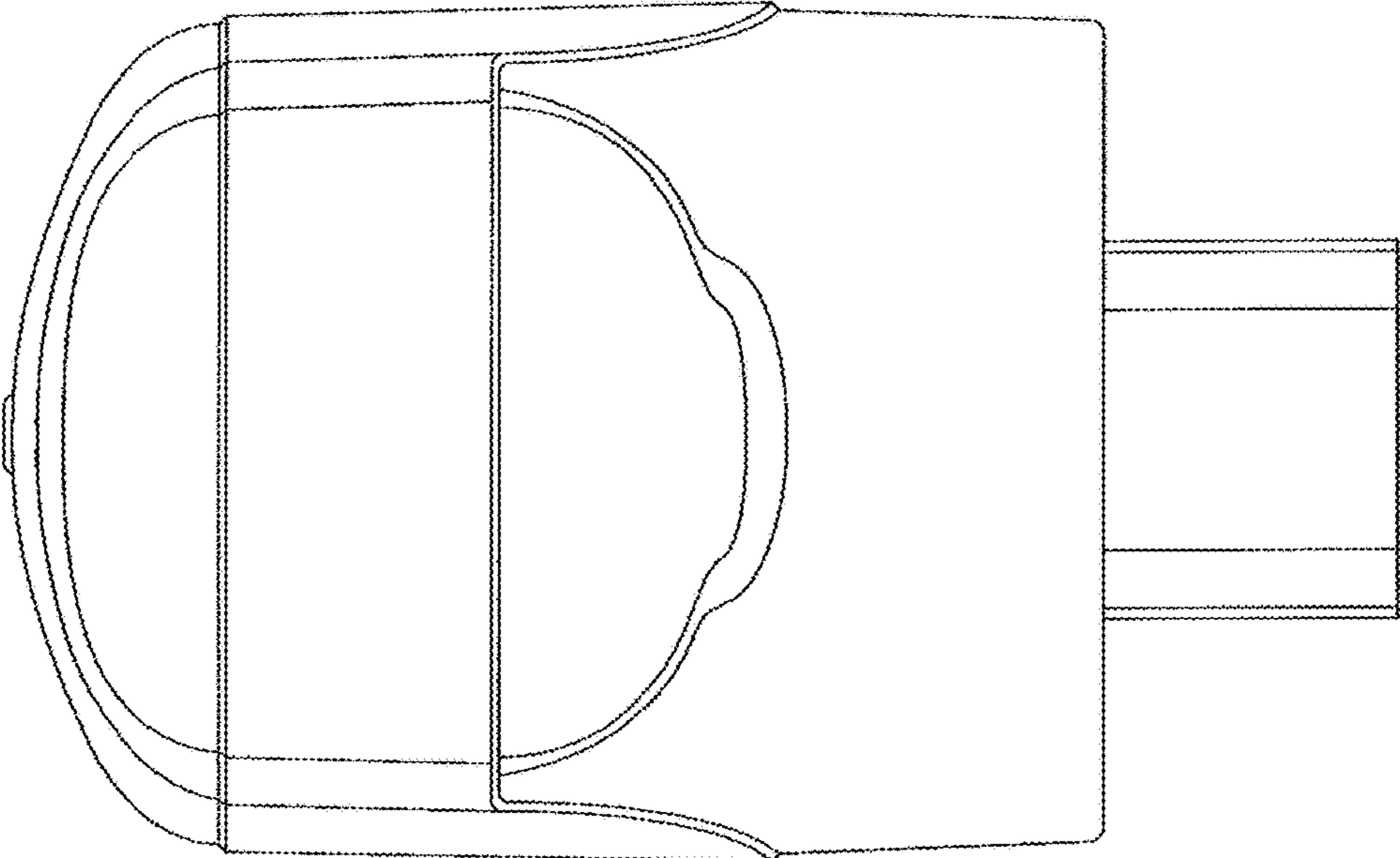


FIG. 5

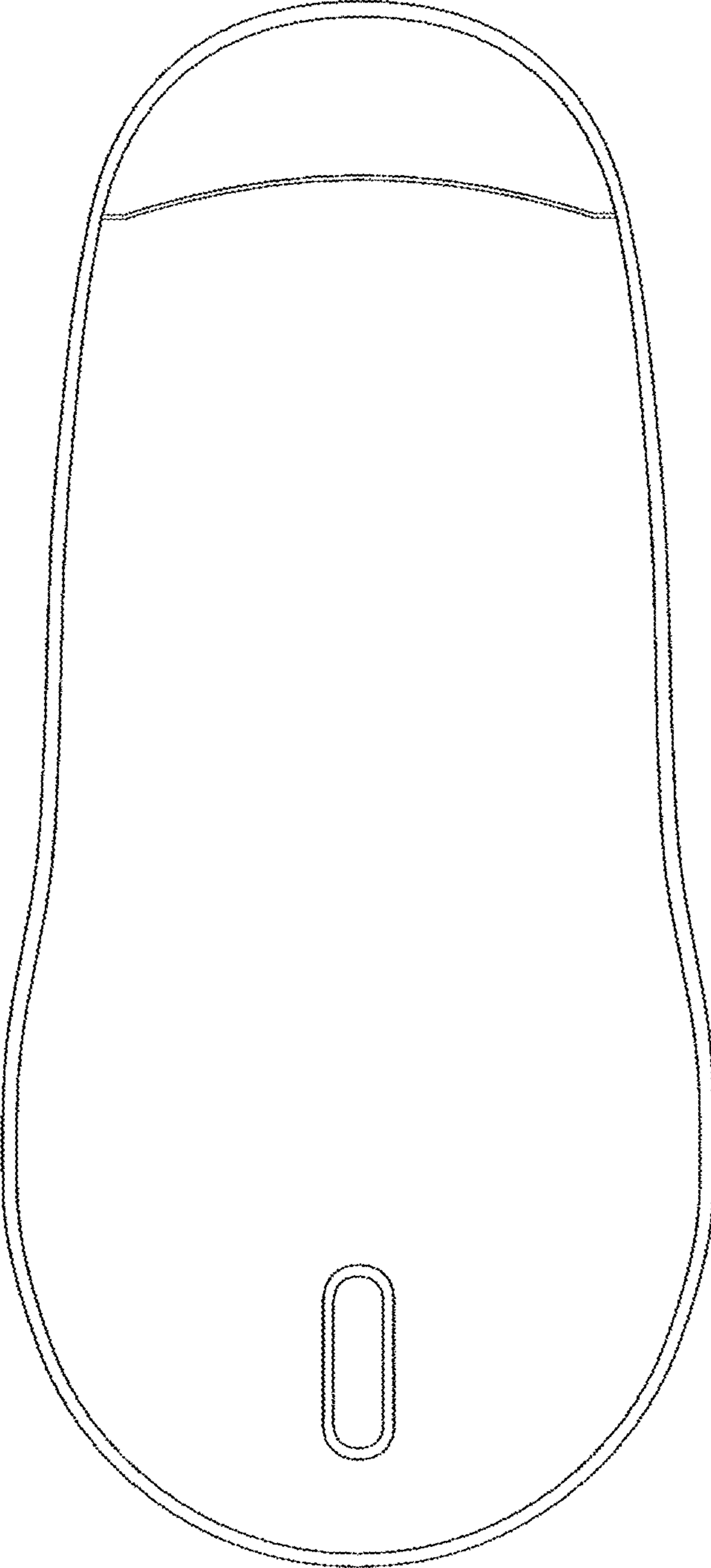


FIG. 6

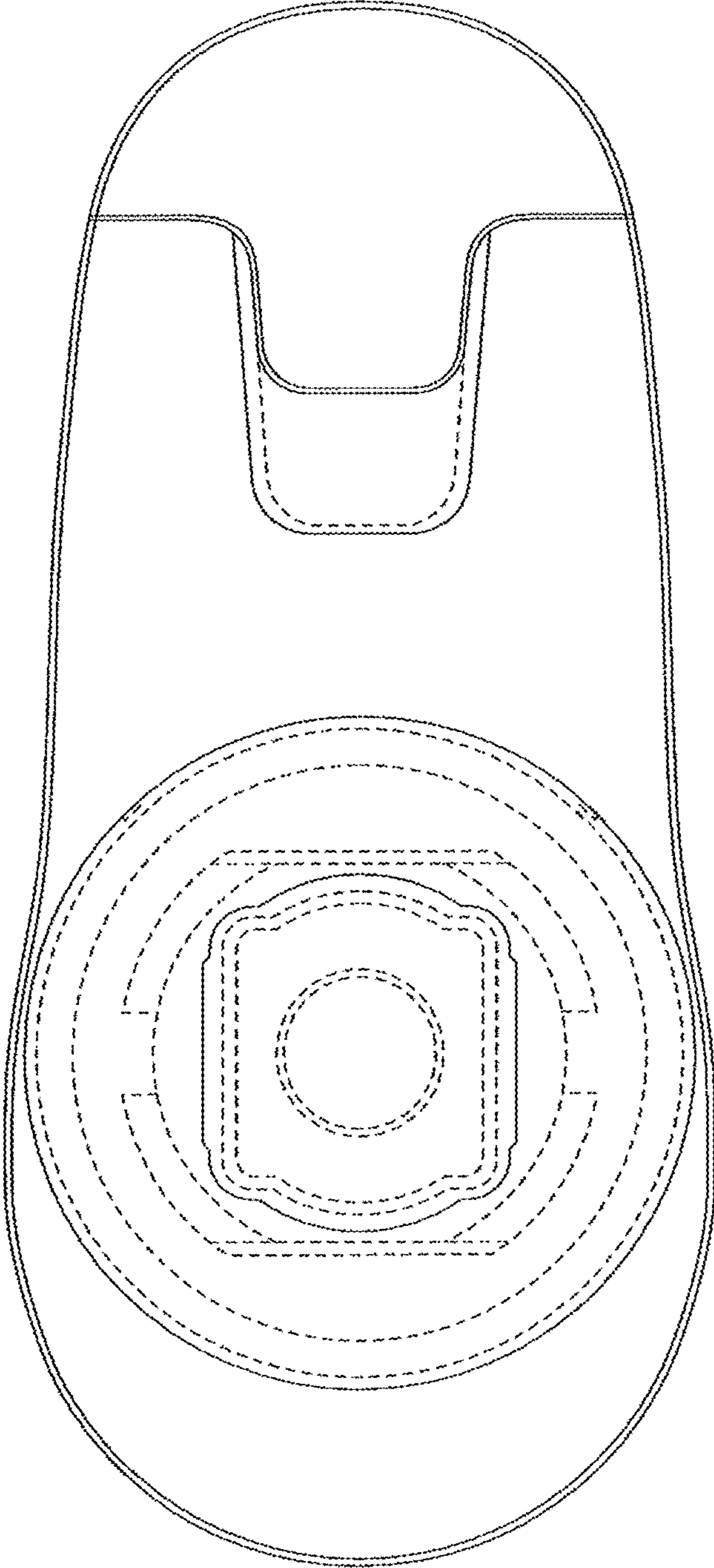


FIG. 7