

US00D862815S

(12) **United States Design Patent** (10) **Patent No.:** **US D862,815 S**  
**Kim** (45) **Date of Patent:** **\*\* Oct. 8, 2019**

(54) **DISINFECTION UNIT FOR ESCALATOR HANDRAILS**

(71) Applicant: **LG INNOTEK CO., LTD.**, Seoul (KR)

(72) Inventor: **Daehun Kim**, Seoul (KR)

(73) Assignee: **LG INNOTEK CO., LTD.**, Seoul (KR)

(\*\*) Term: **15 Years**

(21) Appl. No.: **35/505,482**

(22) Filed: **Feb. 14, 2018**

(80) **Hague Agreement Data**

Int. Filing Date: **Feb. 14, 2018**

Int. Reg. No.: **DM/101254**

Int. Reg. Date: **Feb. 14, 2018**

Int. Reg. Pub. Date: **Aug. 17, 2018**

(51) **LOC (12) Cl.** ..... **15-05**

(52) **U.S. Cl.**  
USPC ..... **D32/1**

(58) **Field of Classification Search**  
USPC ..... **D32/1**

See application file for complete search history.

(56) **References Cited**

U.S. PATENT DOCUMENTS

9,764,929 B2 \* 9/2017 Thomsen ..... B66B 31/02  
D843,820 S \* 3/2019 House ..... D8/366

\* cited by examiner

*Primary Examiner* — George D. Kirschbaum

(74) *Attorney, Agent, or Firm* — Saliwanchik, Lloyd & Eisenschenk

(57) **CLAIM**

The ornamental design for a disinfection unit for escalator handrails, as shown and described.

**DESCRIPTION**

1. Disinfection unit for escalator handrails

1.1 : Perspective

1.2 : Front

1.3 : Back

1.4 : Left

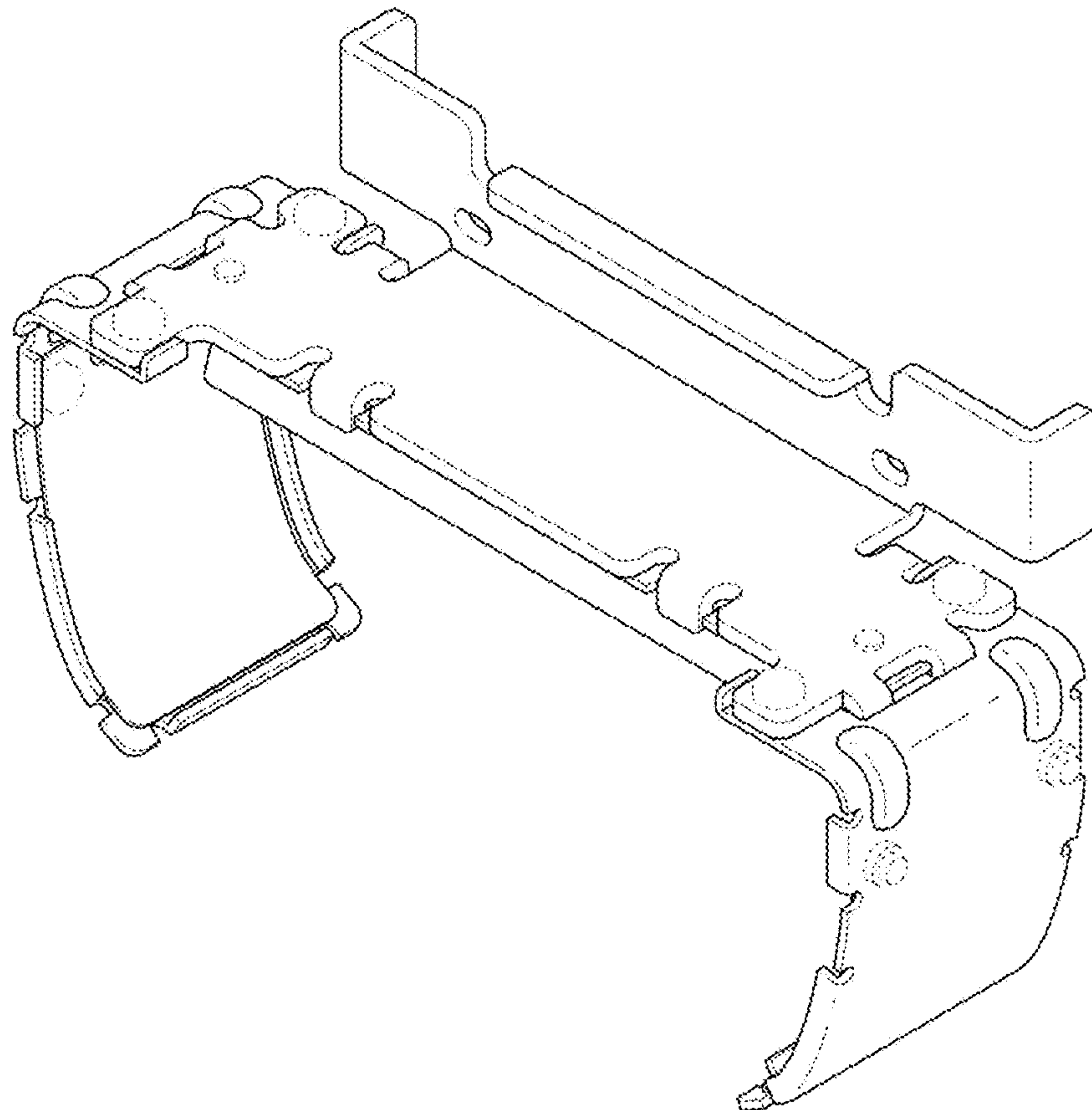
1.5 : Right

1.6 : Top

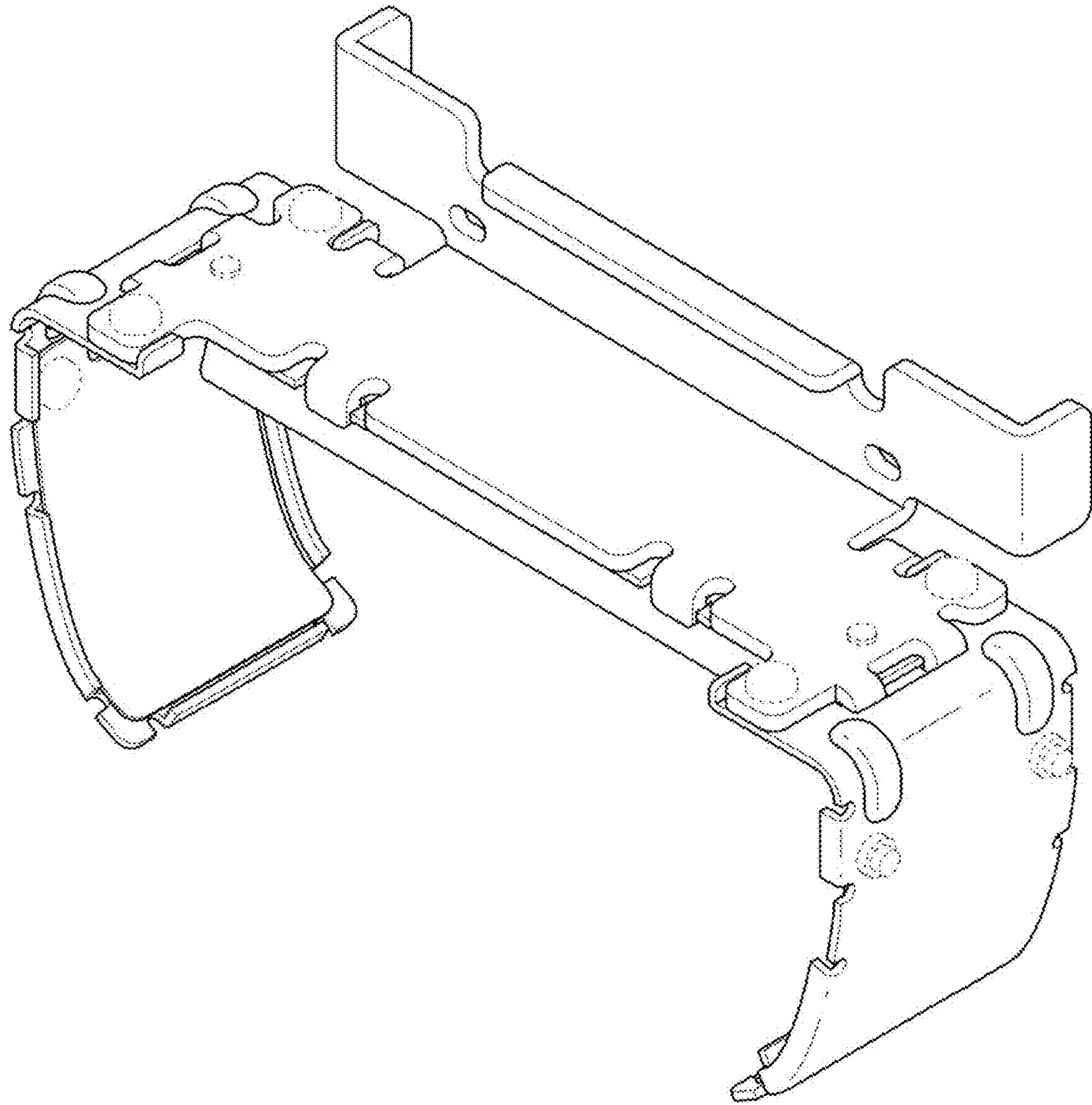
1.7 : Bottom

The broken lines indicate unclaimed portions of the article that form no part of the claimed design.

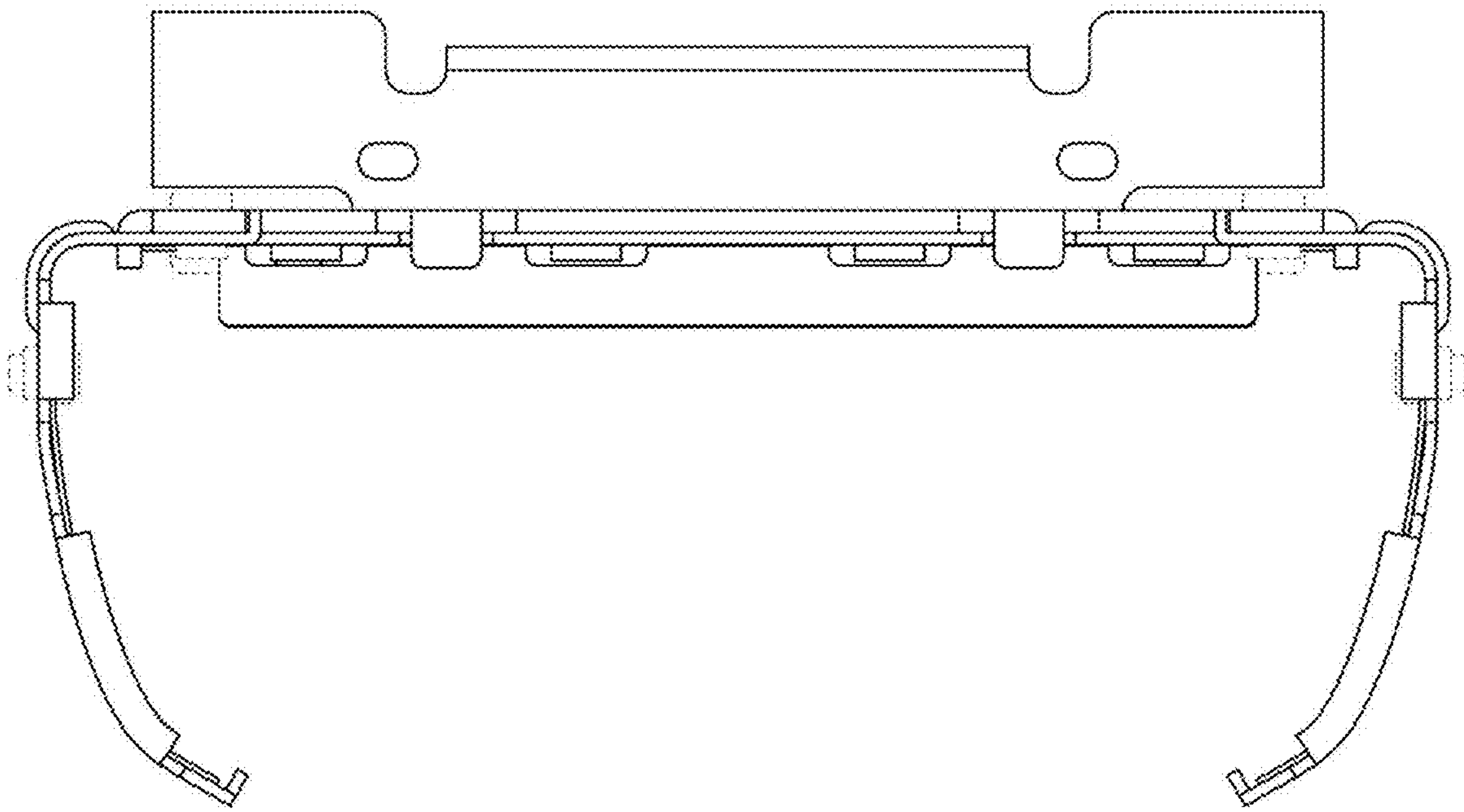
**1 Claim, 7 Drawing Sheets**



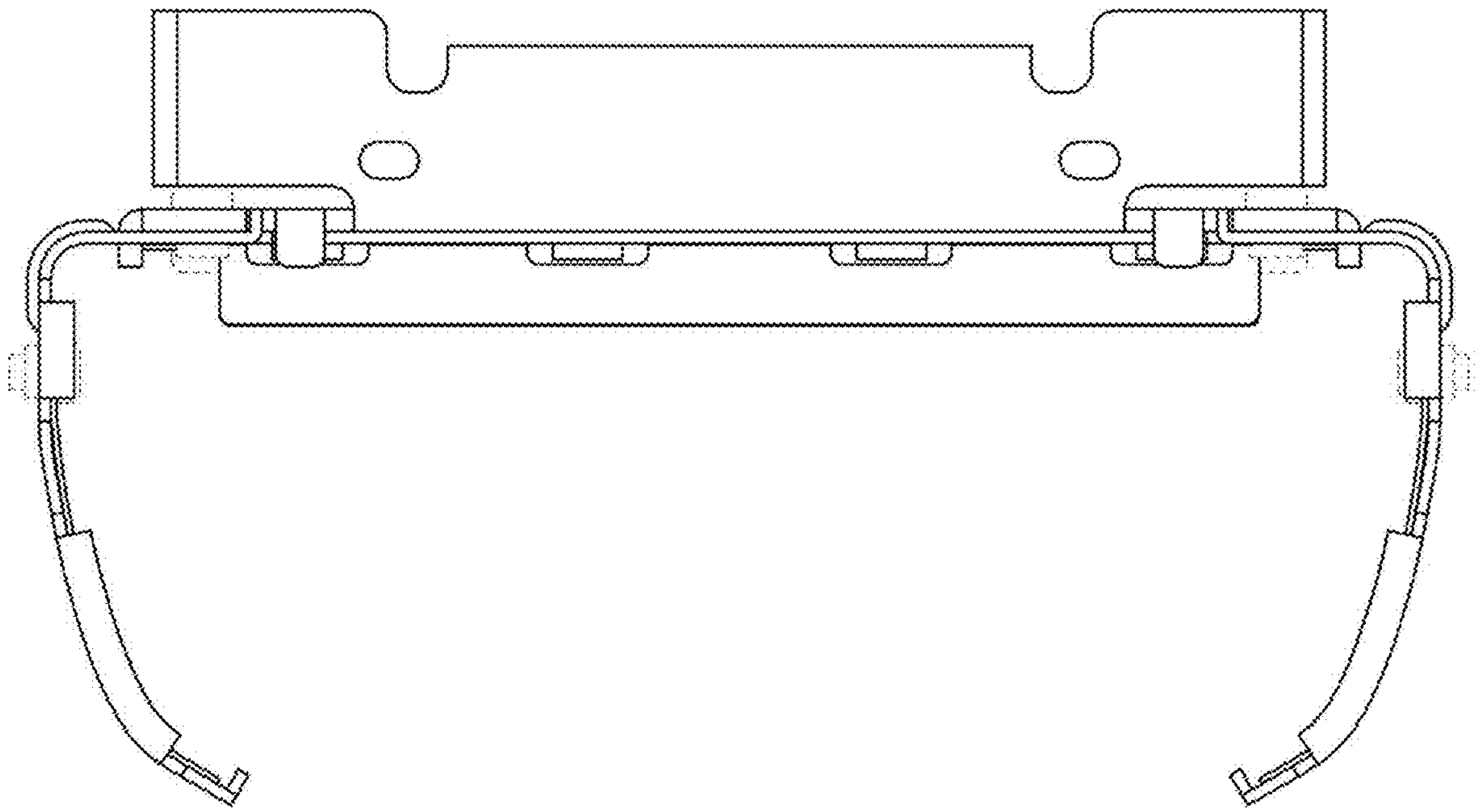
1.1



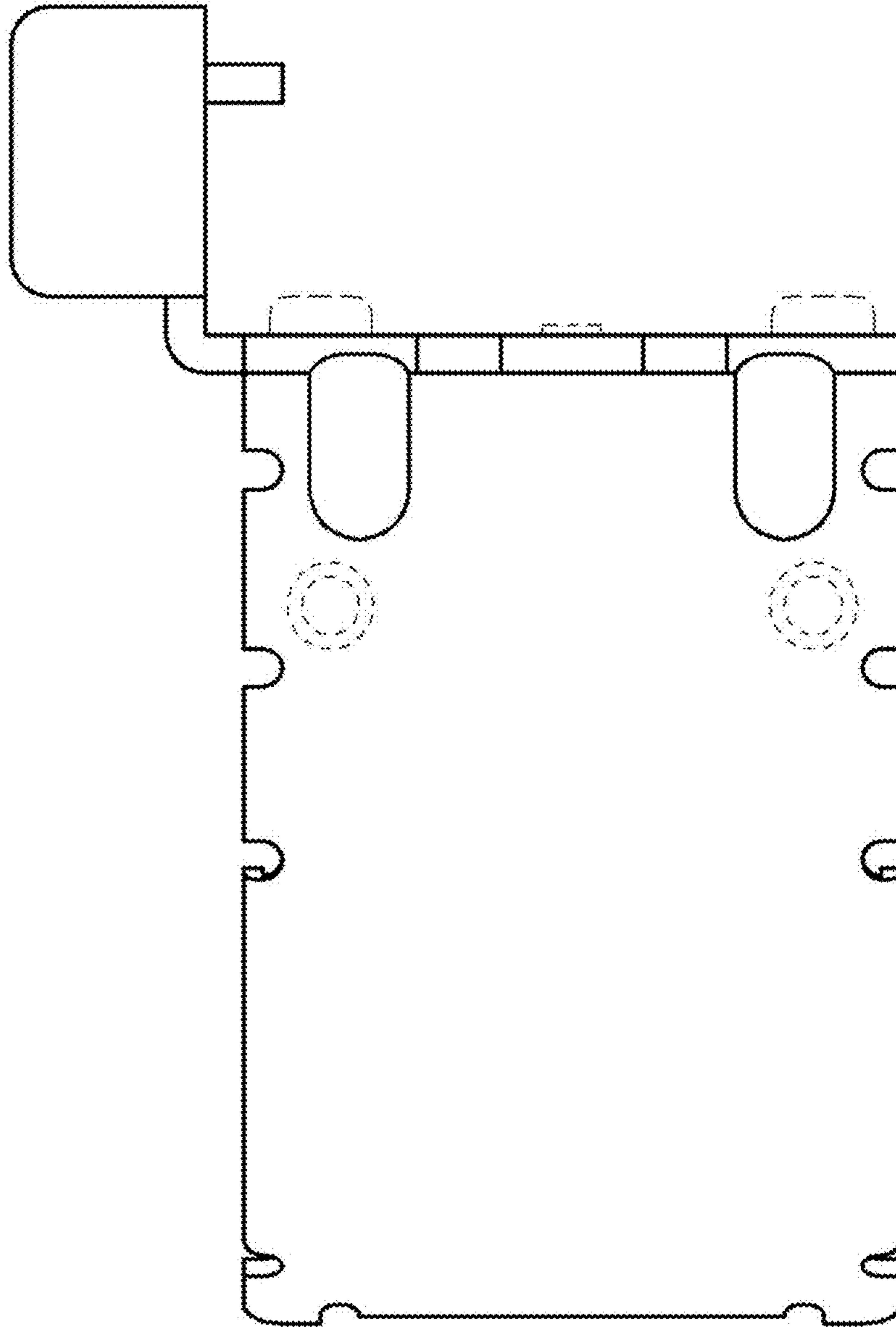
1.2



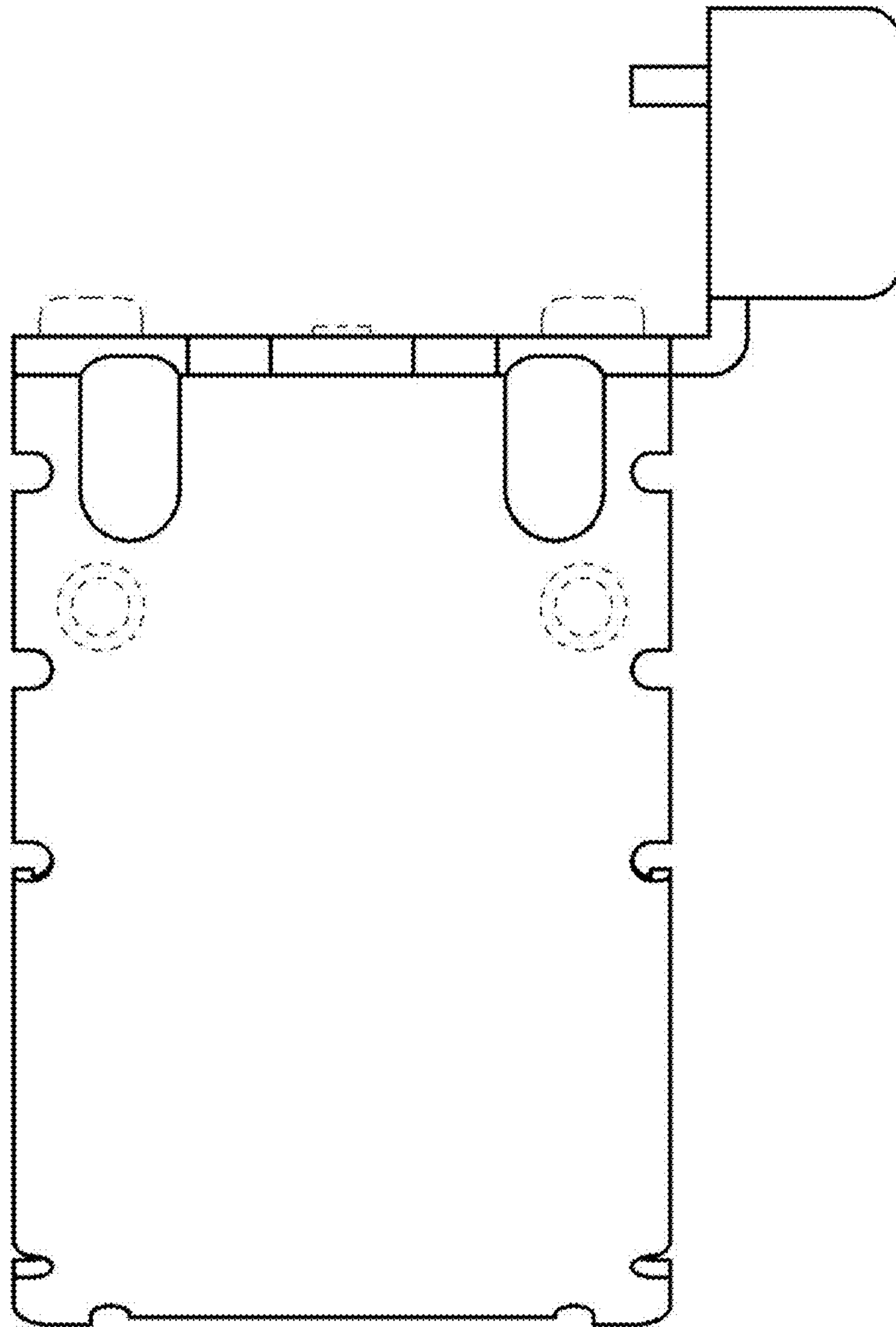
1.3



1.4

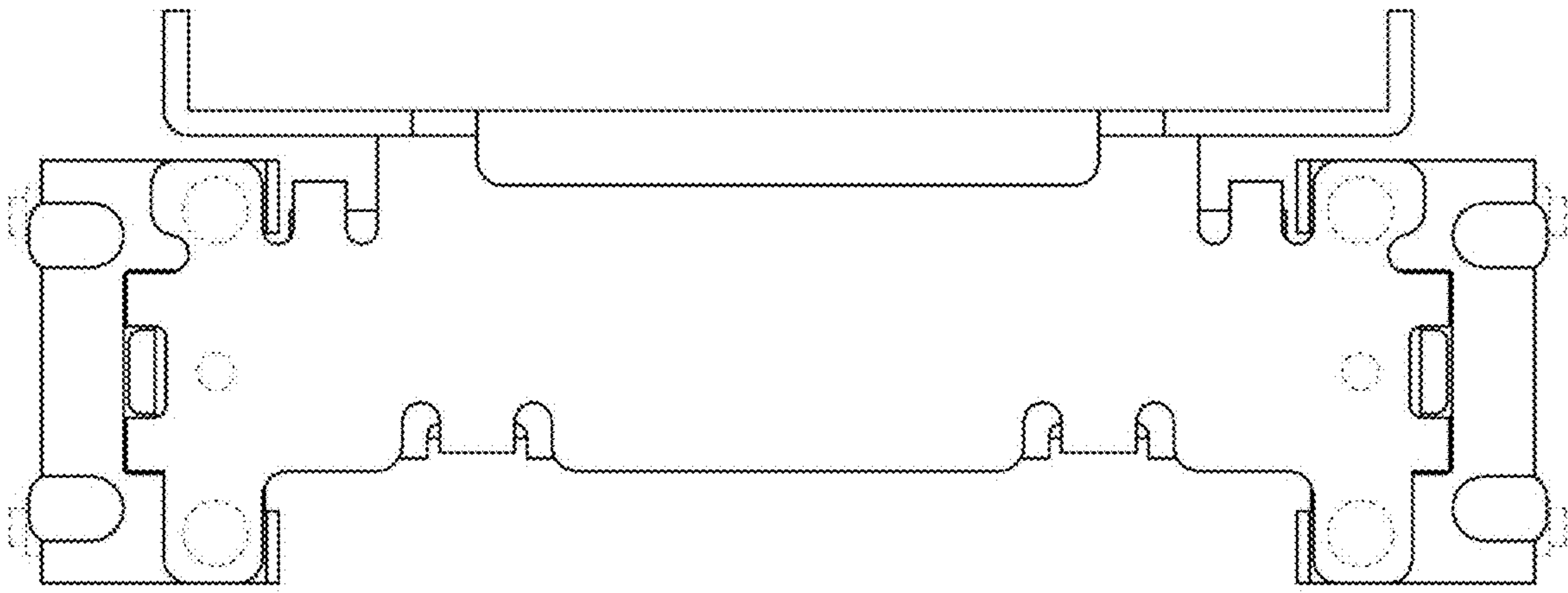


1.5





1.6



1.7

