



US00D862814S

(12) **United States Design Patent**
Chang

(10) **Patent No.:** **US D862,814 S**

(45) **Date of Patent:** **** Oct. 8, 2019**

(54) **TABLEWARE-CLEANING MACHINE**

(71) Applicant: **Yen-Kun Chang**, Taichung (TW)

(72) Inventor: **Yen-Kun Chang**, Taichung (TW)

(**) Term: **15 Years**

(21) Appl. No.: **29/615,282**

(22) Filed: **Aug. 28, 2017**

(51) **LOC (12) Cl.** **15-05**

(52) **U.S. Cl.**

USPC **D32/1**

(58) **Field of Classification Search**

USPC D32/1, 2, 15, 16; D28/9, 73-78;

D24/107, 117, 167, 186, 217

CPC A47L 11/125; A47L 15/0086; A47L

15/0076; A47L 15/13

See application file for complete search history.

D685,540 S *	7/2013	Yao	D32/1
D748,872 S *	2/2016	Yao	D32/1
D781,509 S *	3/2017	Yao	D32/1
D796,749 S *	9/2017	Kessler	D32/1
D808,091 S *	1/2018	Pan	D32/1
D815,373 S *	4/2018	Yao	D32/1
D832,533 S *	10/2018	Yao	D32/1
2007/0267039 A1 *	11/2007	Sullivan	B08B 3/12 134/1
2009/0308416 A1 *	12/2009	Utz	B08B 3/12 134/115 R
2018/0161829 A1 *	6/2018	Horie	B08B 3/12

* cited by examiner

Primary Examiner — Michelle E. Wilson

(74) *Attorney, Agent, or Firm* — Muncy, Geissler, Olds & Lowe, P.C.

(57) **CLAIM**

I claim the ornamental design for a tableware-cleaning machine, as shown and described.

DESCRIPTION

FIG. 1 is a perspective view of tableware-cleaning machine in accordance with the preferred embodiment of the present invention, showing my design;

FIG. 2 is a front elevational view thereof;

FIG. 3 is a rear elevational view thereof;

FIG. 4 is a left side elevational view thereof;

FIG. 5 is a right side elevational view thereof;

FIG. 6 is a top plan view thereof; and,

FIG. 7 is a bottom plan view thereof.

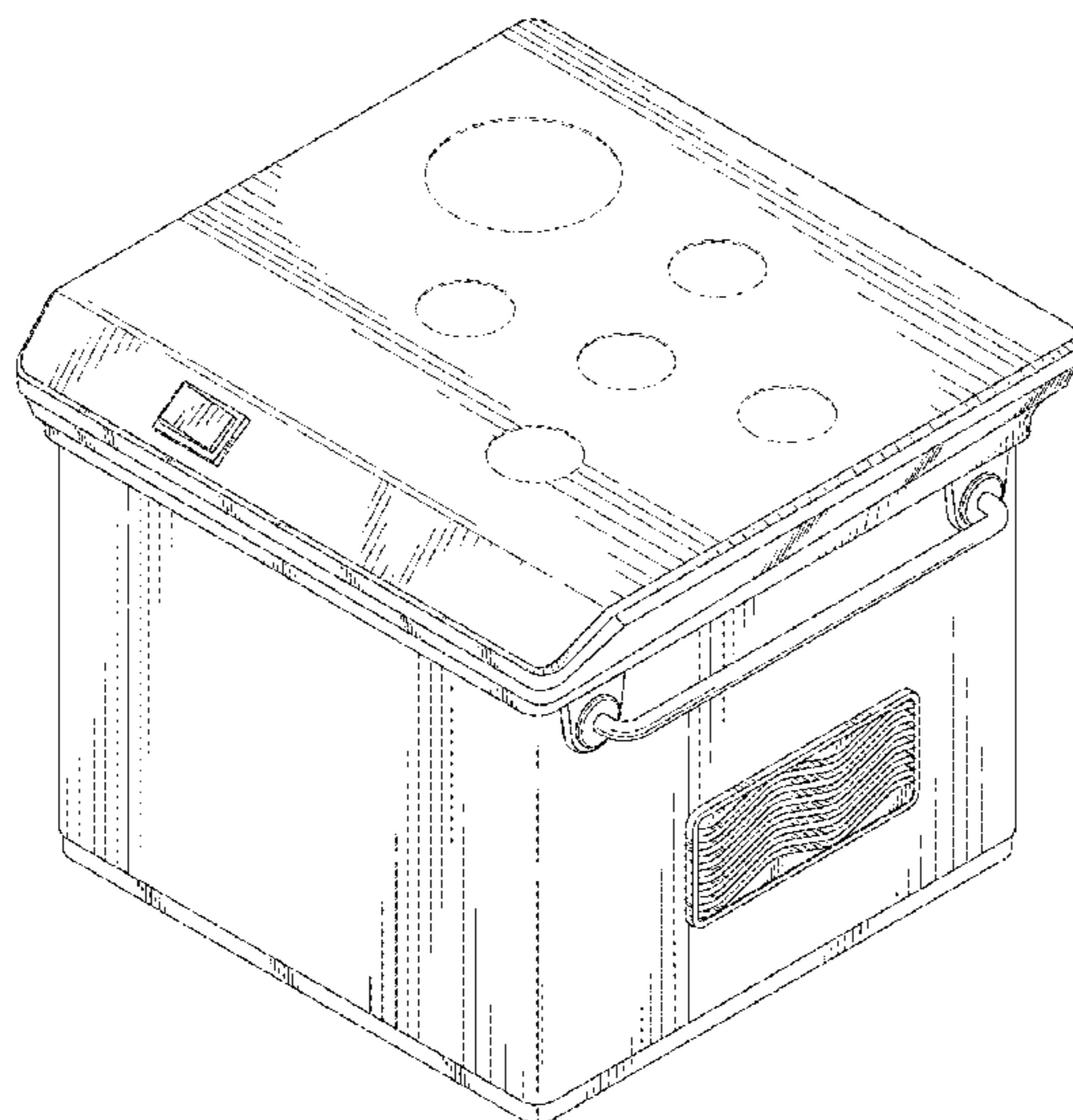
The details shown in broken lines form no part of the claimed design.

1 Claim, 7 Drawing Sheets

(56) **References Cited**

U.S. PATENT DOCUMENTS

3,640,295 A *	2/1972	Peterson	A61L 2/025 134/1
D266,794 S *	11/1982	Puskas	D32/1
4,442,852 A *	4/1984	Lord	B08B 3/12 134/135
D300,677 S *	4/1989	Van Hoyer	D32/1
D307,653 S *	5/1990	Weirsmann	D32/1
D307,654 S *	5/1990	Weirsmann	D32/1
D315,039 S *	2/1991	Wortham	D32/1
D315,815 S *	3/1991	Miller	D32/1
D321,564 S *	11/1991	Miller	D24/217
D593,262 S *	5/2009	Gong	D24/217
D633,663 S *	3/2011	Choi	D32/1



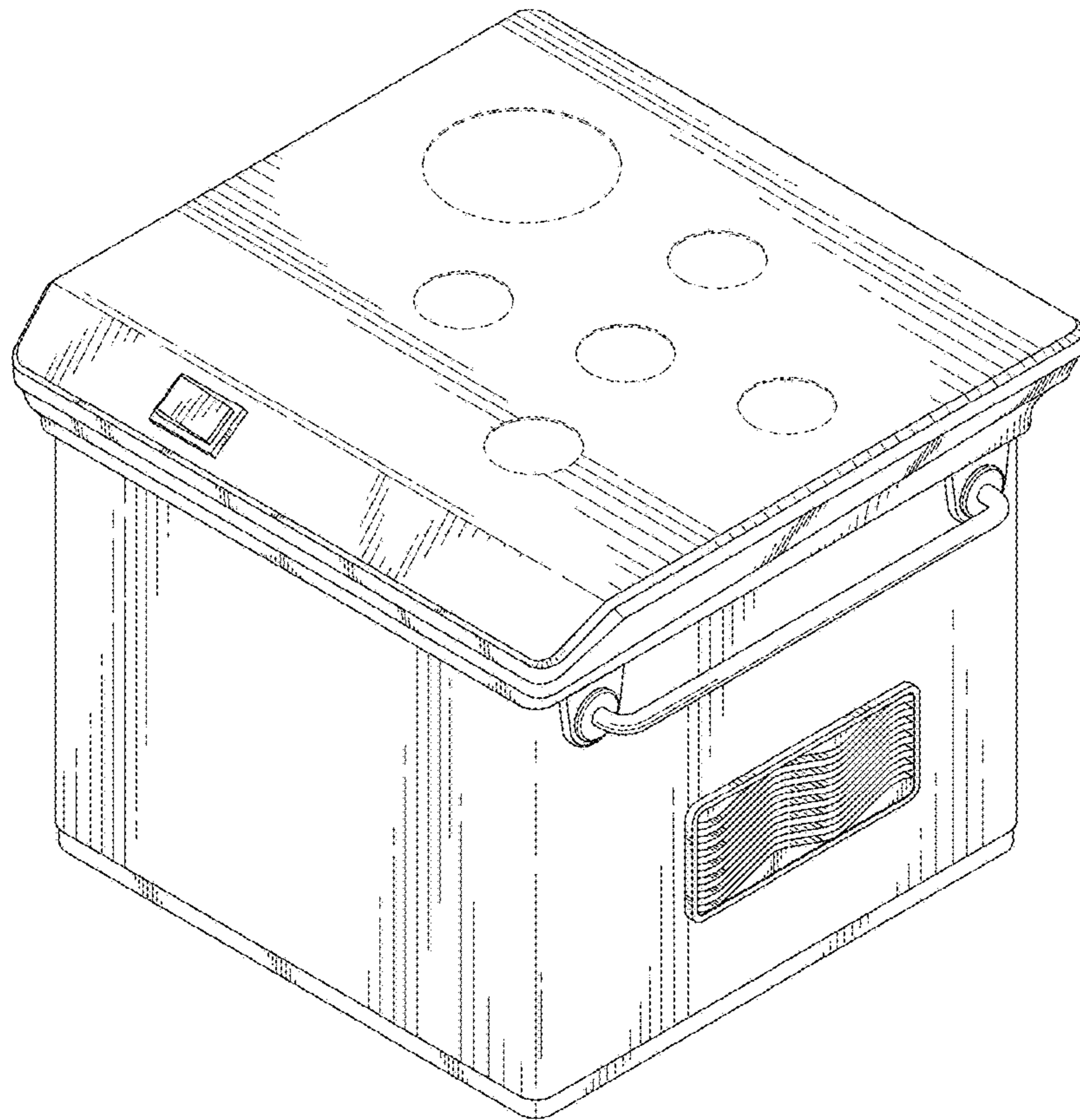


FIG.1

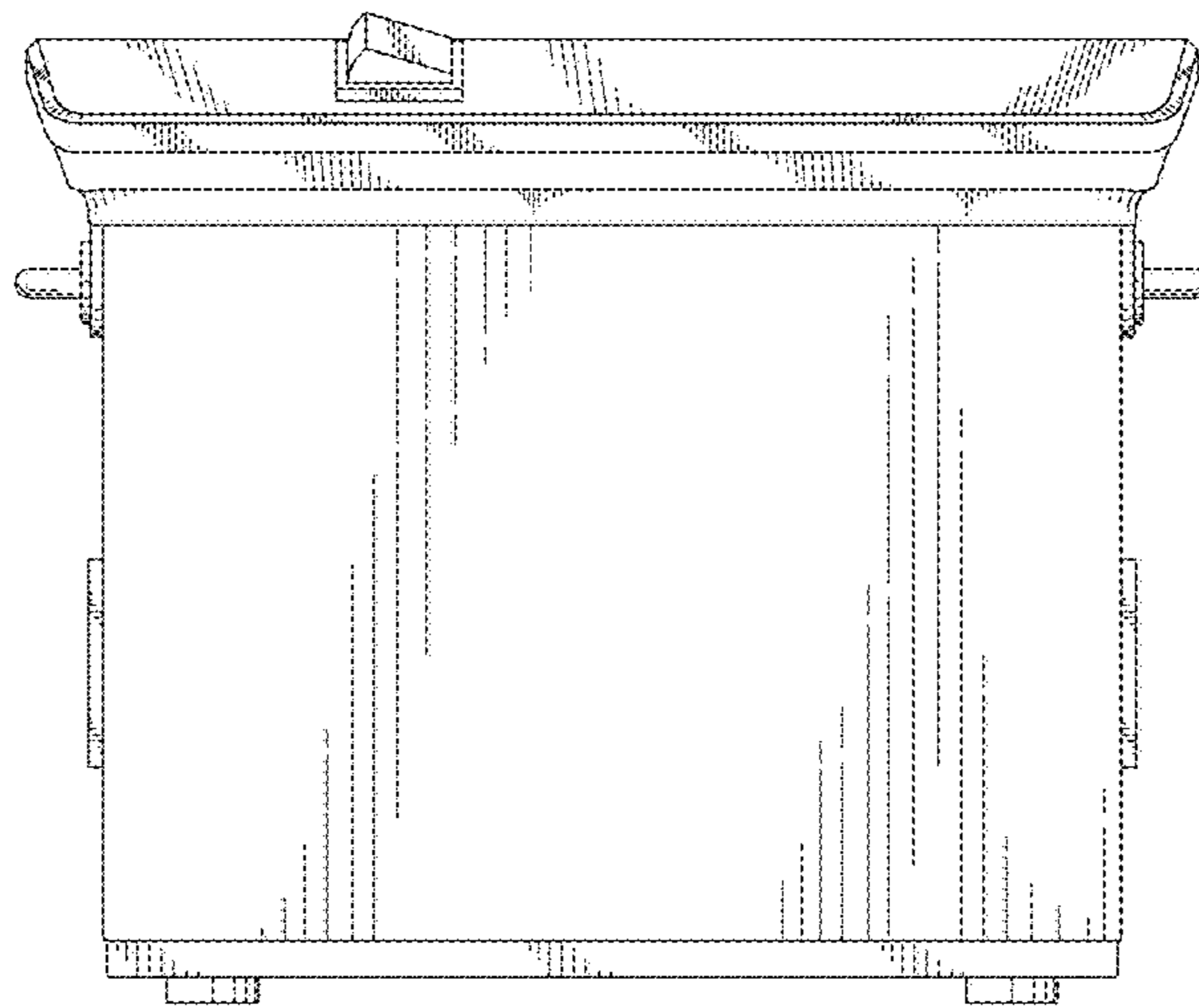


FIG.2

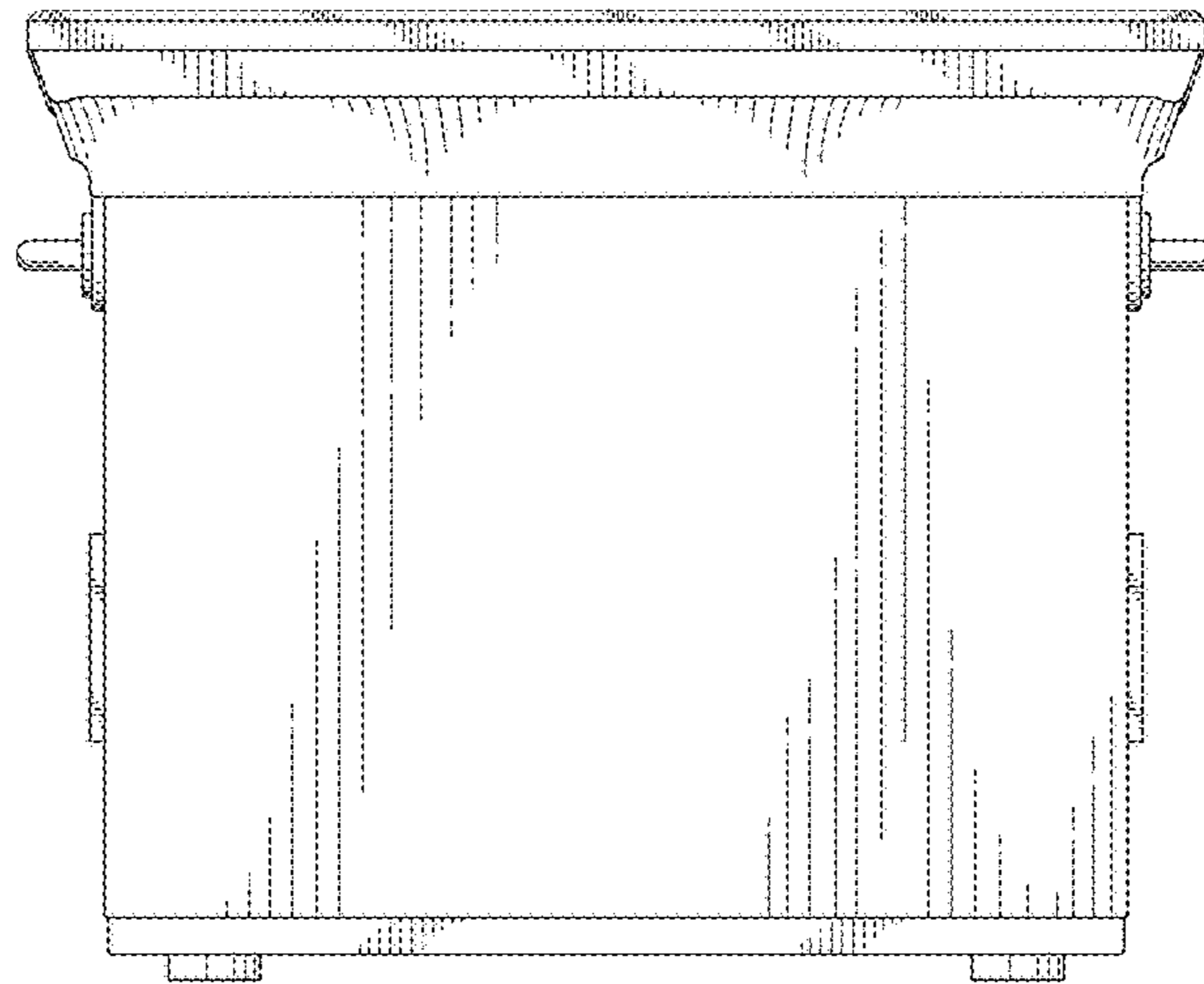


FIG.3

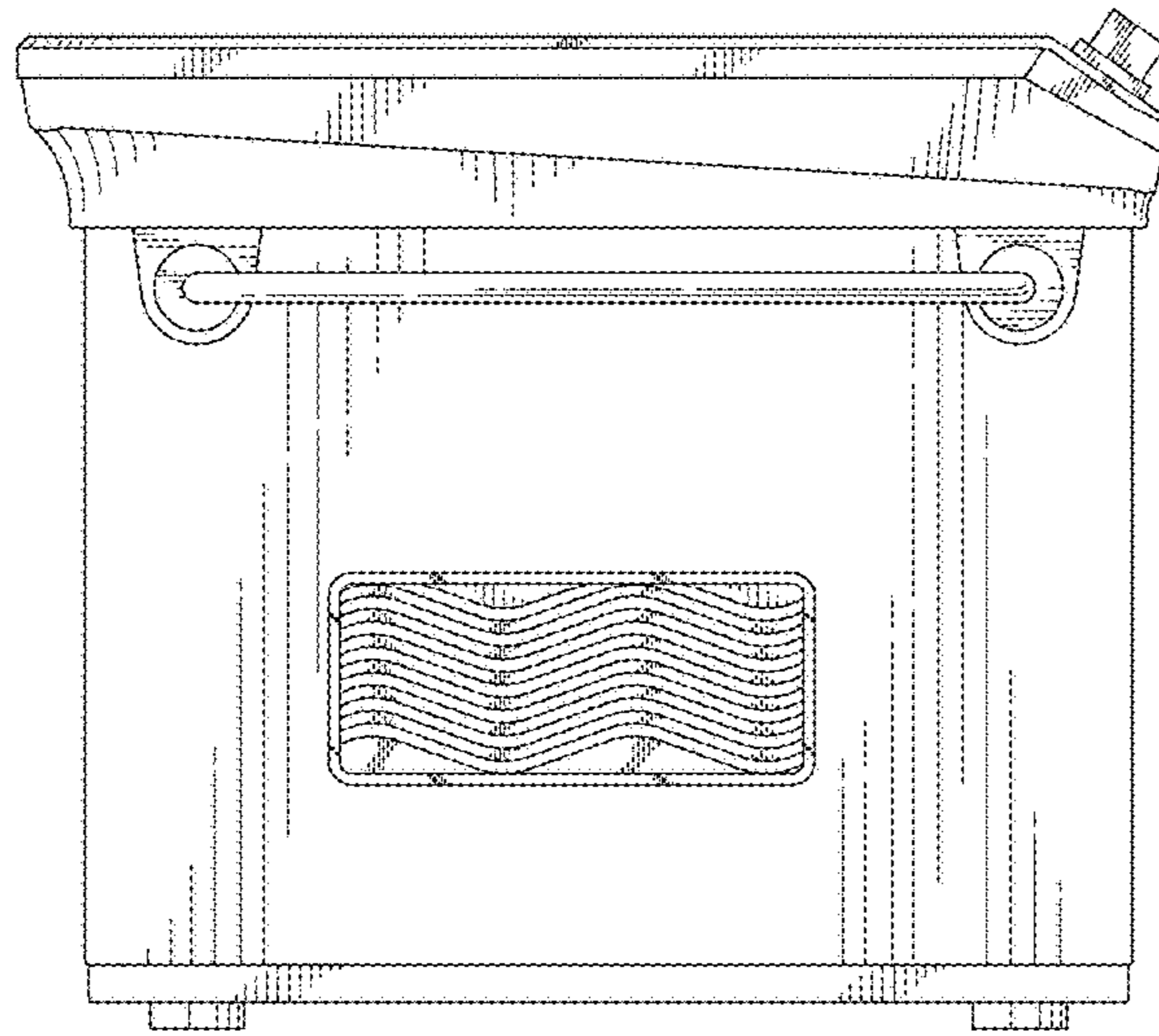


FIG.4

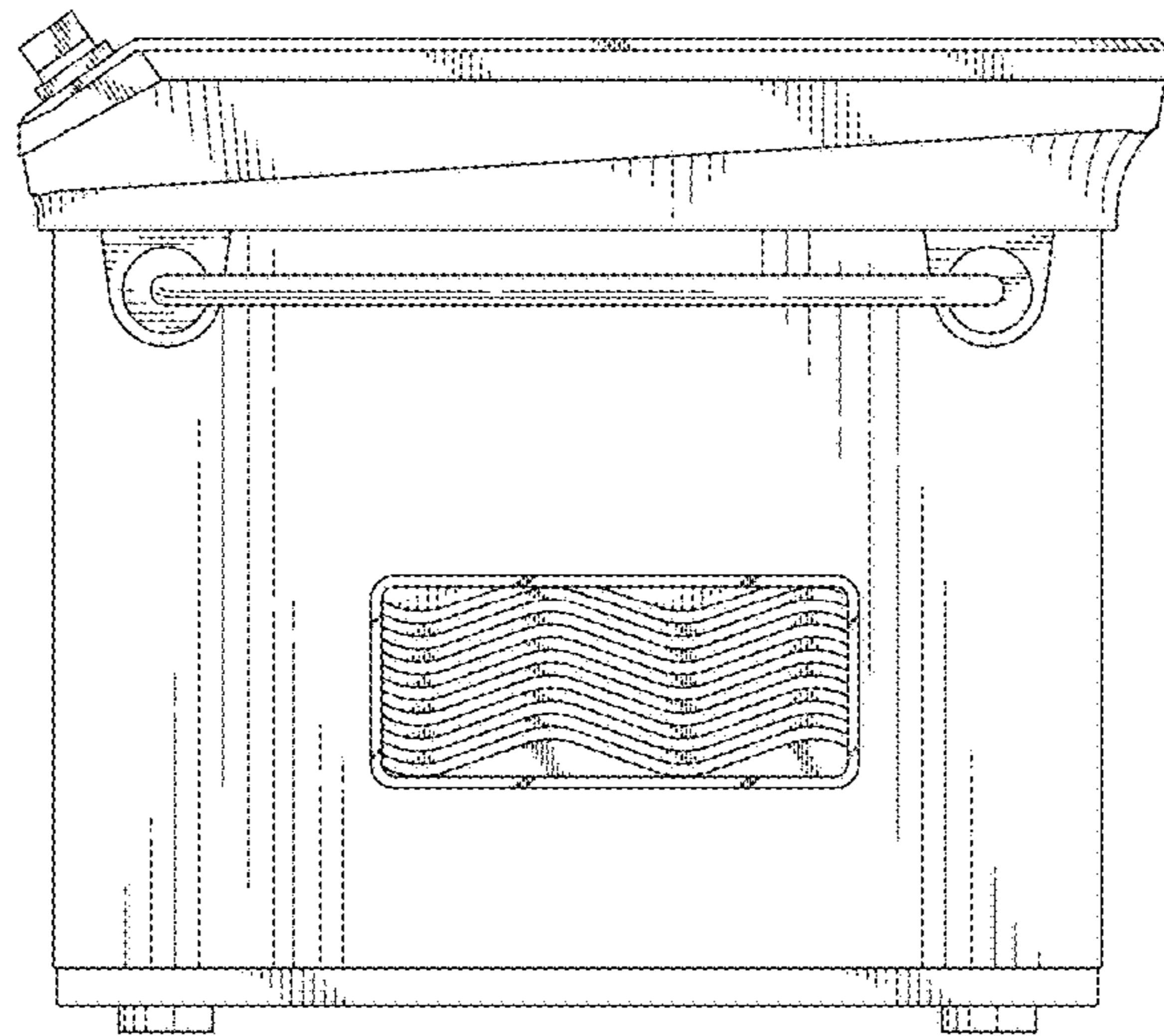


FIG.5

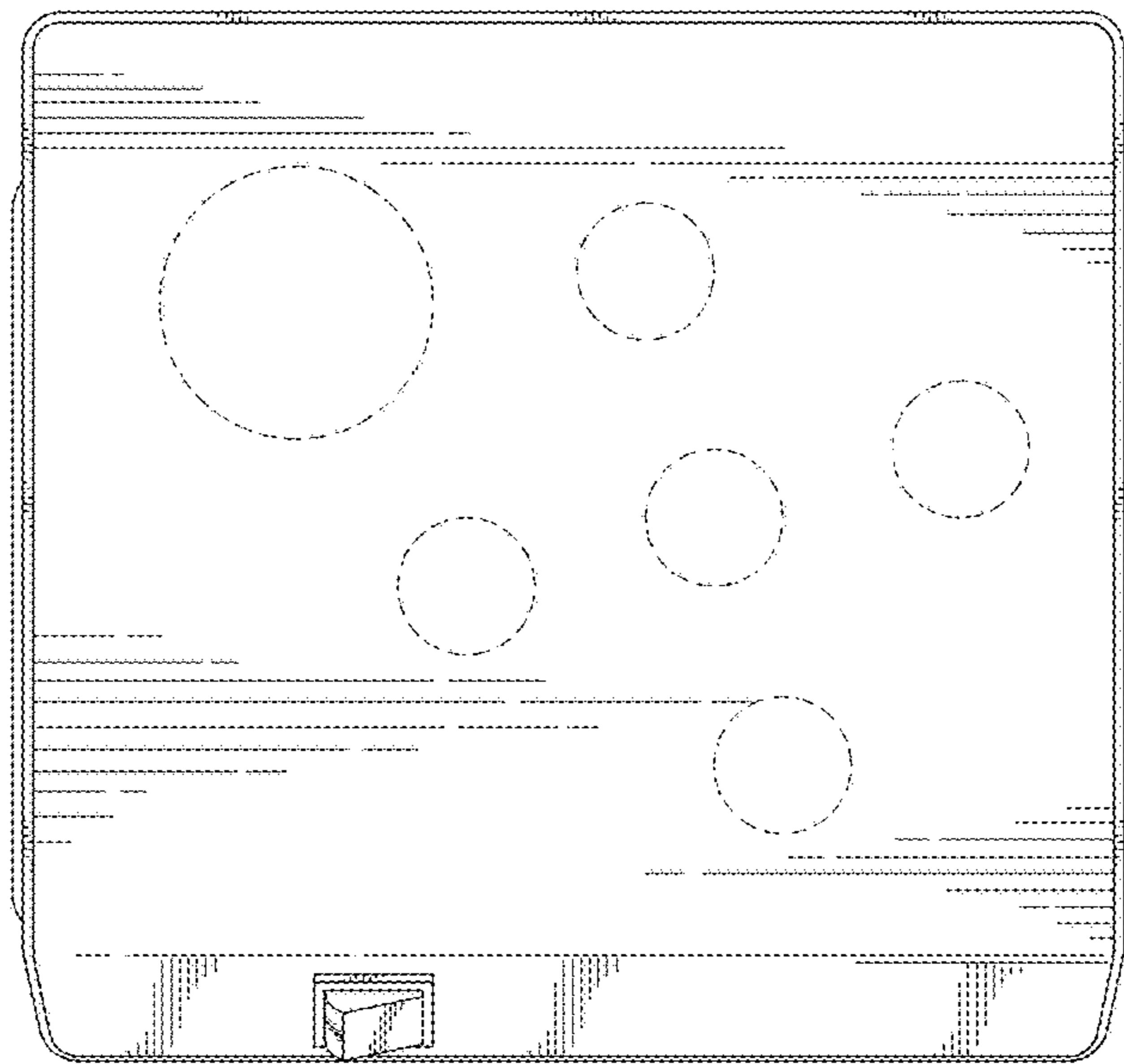


FIG.6

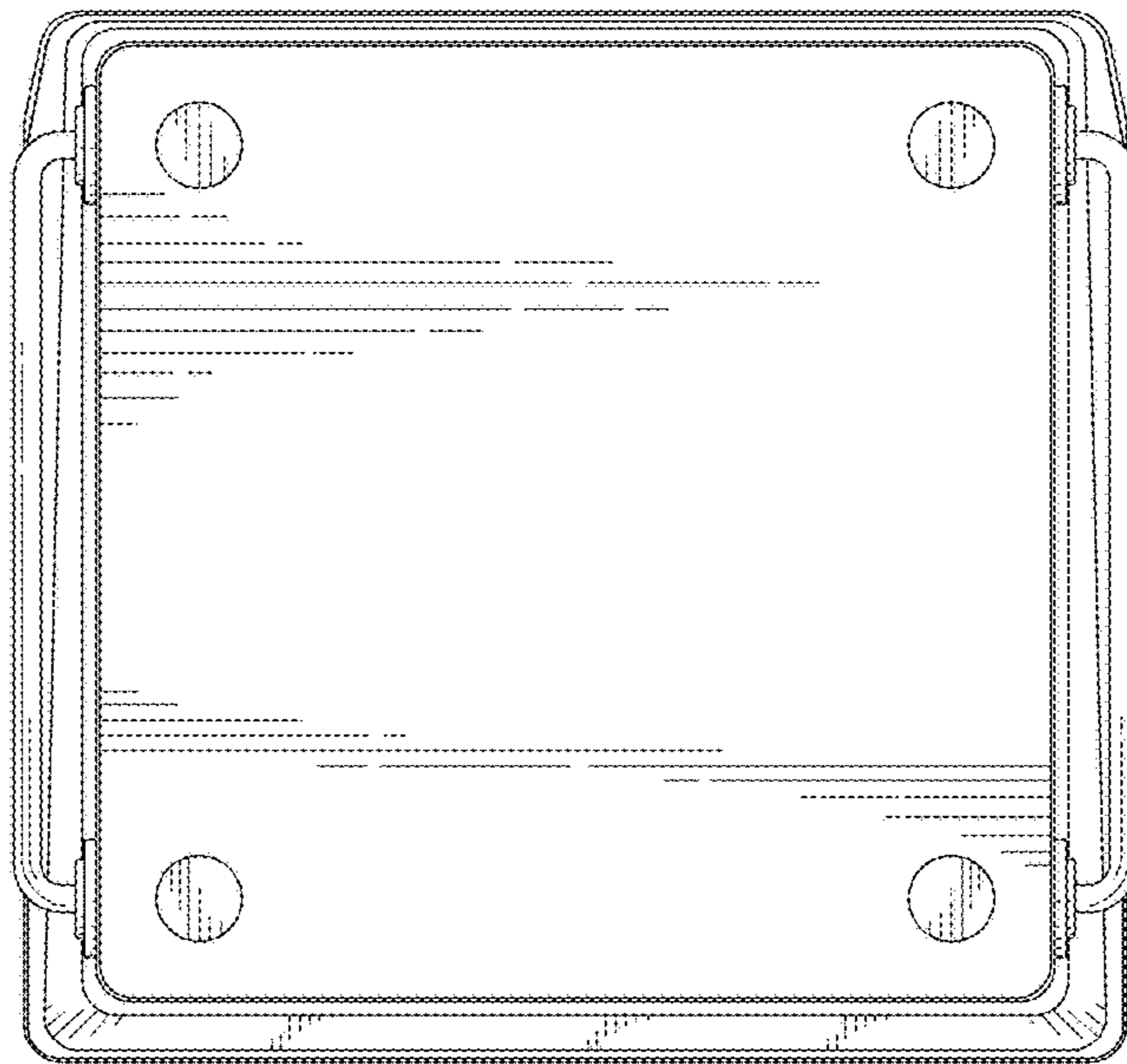


FIG.7