

US00D862812S

(12) **United States Design Patent** (10) **Patent No.:** **US D862,812 S**
Jia (45) **Date of Patent:** **** Oct. 8, 2019**

(54) **DOG TRAINING TRANSMITTER**
(71) Applicant: **Shenzhen Smart Pet Technology Co., Ltd.**, Shenzhen (CN)
(72) Inventor: **Yaya Jia**, Shenzhen (CN)
(73) Assignee: **SHENZHEN SMART PET TECHNOLOGY CO., LTD.**, Shenzhen (CN)
(**) Term: **15 Years**
(21) Appl. No.: **29/625,718**

D491,150 S * 6/2004 Shen D13/168
D523,768 S * 6/2006 Kaufman D10/104.1
D535,902 S * 1/2007 Kaufman D30/199
D576,128 S * 9/2008 Tran D14/137
D602,893 S * 10/2009 Nishida D14/137
D607,847 S * 1/2010 Elliott D13/168
D615,438 S * 5/2010 Goetzl D10/104.1
D700,148 S * 2/2014 Paul D13/168
D719,708 S * 12/2014 Ye D10/104.1
D721,861 S * 1/2015 Guo D10/104.1
D737,004 S * 8/2015 Russell D30/199
D759,908 S * 6/2016 Russell D30/199
D774,935 S * 12/2016 Liu D10/104.1
D815,372 S * 4/2018 Goetzl D30/199
D816,632 S * 5/2018 Yamamoto D14/137
D835,860 S * 12/2018 Li D30/199
D835,861 S * 12/2018 Li D30/199

(Continued)

(22) Filed: **Nov. 13, 2017**
(51) **LOC (12) Cl.** **30-99**
(52) **U.S. Cl.**
USPC **D30/199; D10/104.1**
(58) **Field of Classification Search**
USPC D30/199, 155; 119/718-721, 712, 905,
119/908, 859; D10/104.1, 106.1, 104.2,
D10/106.3; D14/137, 496, 218, 159;
340/573.3, 573.1, 384.2, 825.76, 538.15,
340/538.16, 539.1, 539.11, 539.14,
340/539.15, 539.16, 539.17, 539.18,
340/539.19, 572.7, 572.8, 572.9, 573.2,
340/573.4; D13/168
CPC .. A01K 15/021; A01K 15/022; A01K 15/023;
A01K 15/029; A01K 15/04; A01K 15/00;
A01K 15/02; A01K 15/006; A01K
27/009; A01K 29/005; A01K 29/00
See application file for complete search history.

Primary Examiner — Susan Moon Lee
(74) *Attorney, Agent, or Firm* — Hemisphere Law, PLLC;
Zhigang Ma

(57) **CLAIM**

The ornamental design for a dog training transmitter, as shown and described.

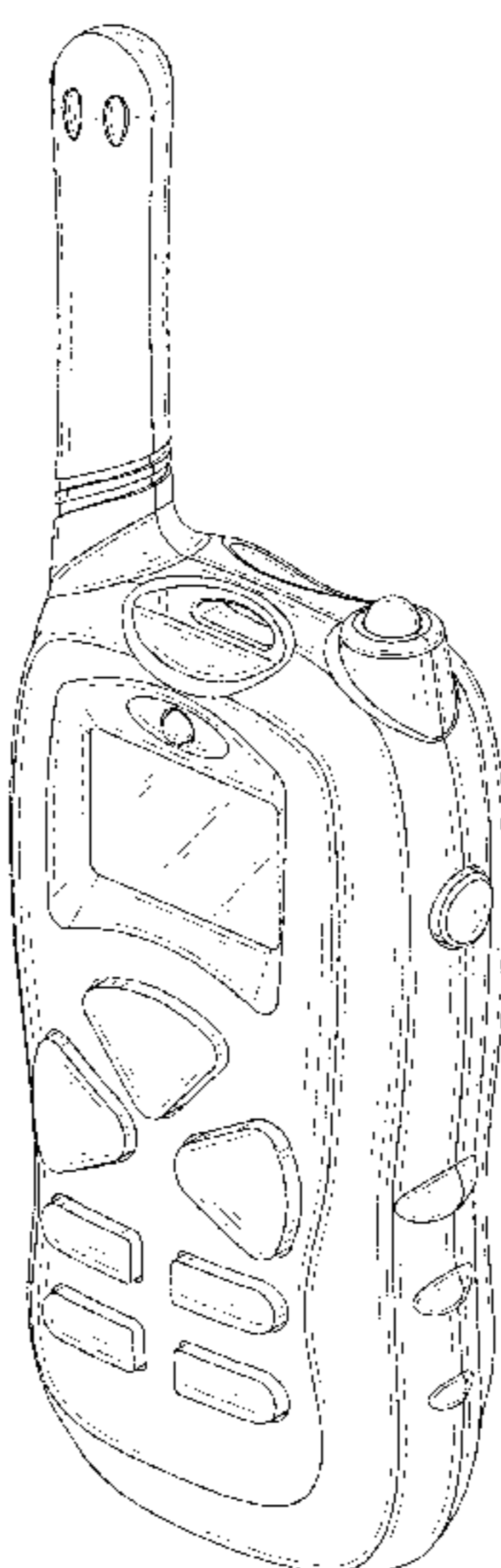
DESCRIPTION

FIG. 1 is a perspective view of a dog training transmitter showing my new design;
FIG. 2 is a front elevational view thereof;
FIG. 3 is a rear elevational view thereof;
FIG. 4 is a left side elevational view thereof;
FIG. 5 is a right side elevational view thereof;
FIG. 6 is a top plan view thereof; and,
FIG. 7 is a bottom plan view thereof.

The broken lines immediately adjacent the claim as shown in the drawings represent the boundaries of the claimed design, while all other broken lines are directed to environment and are for illustrative purpose only; the broken lines form no part of the claimed design.

1 Claim, 7 Drawing Sheets

(56) **References Cited**
U.S. PATENT DOCUMENTS
D406,779 S * 3/1999 Pinardi D10/104.1
D433,396 S * 11/2000 Wong D14/137
D469,708 S * 2/2003 To D10/104.1
D480,695 S * 10/2003 Cebe D14/137
D490,064 S * 5/2004 Yi D14/137



(56)

References Cited

U.S. PATENT DOCUMENTS

2005/0045681 A1* 3/2005 Hancock B60R 11/0205
224/401
2014/0261233 A1* 9/2014 So A01K 27/009
119/720

* cited by examiner

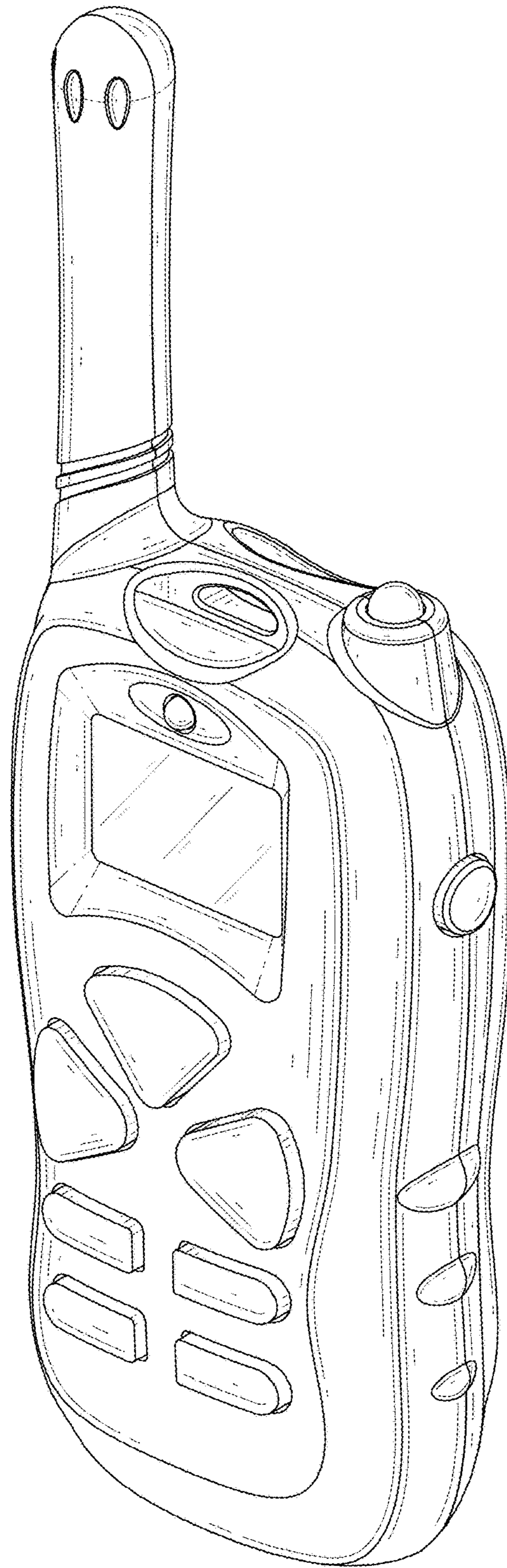


FIG. 1

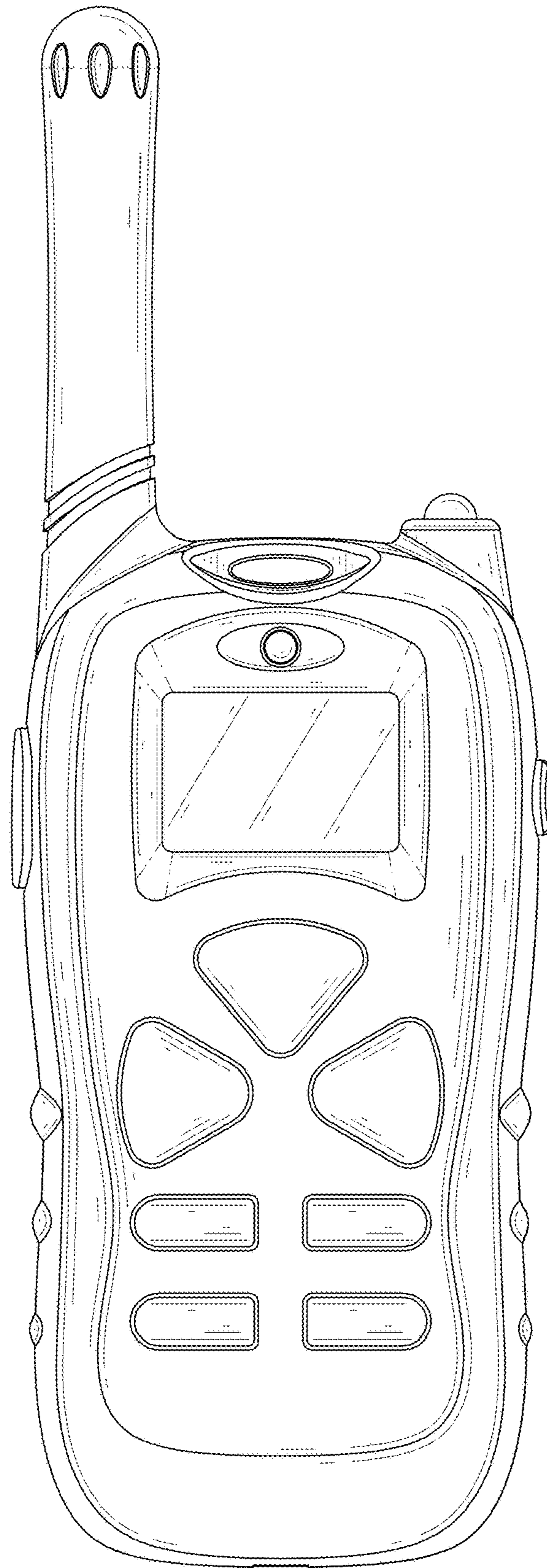


FIG. 2

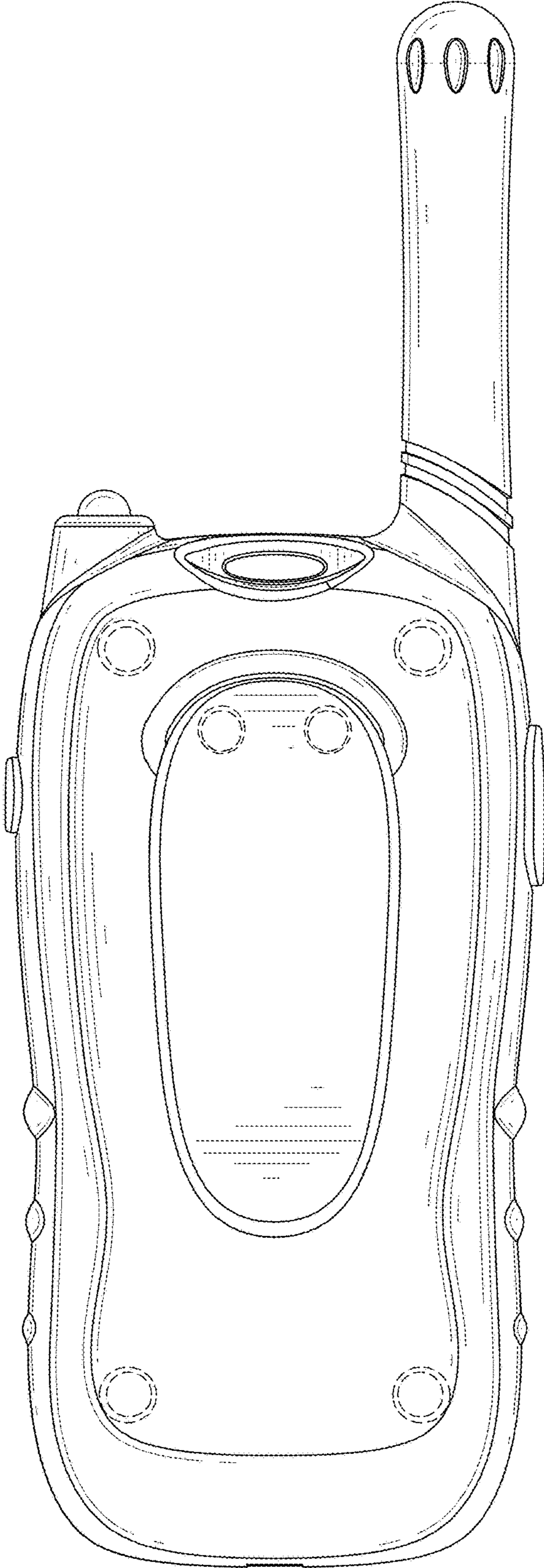


FIG. 3

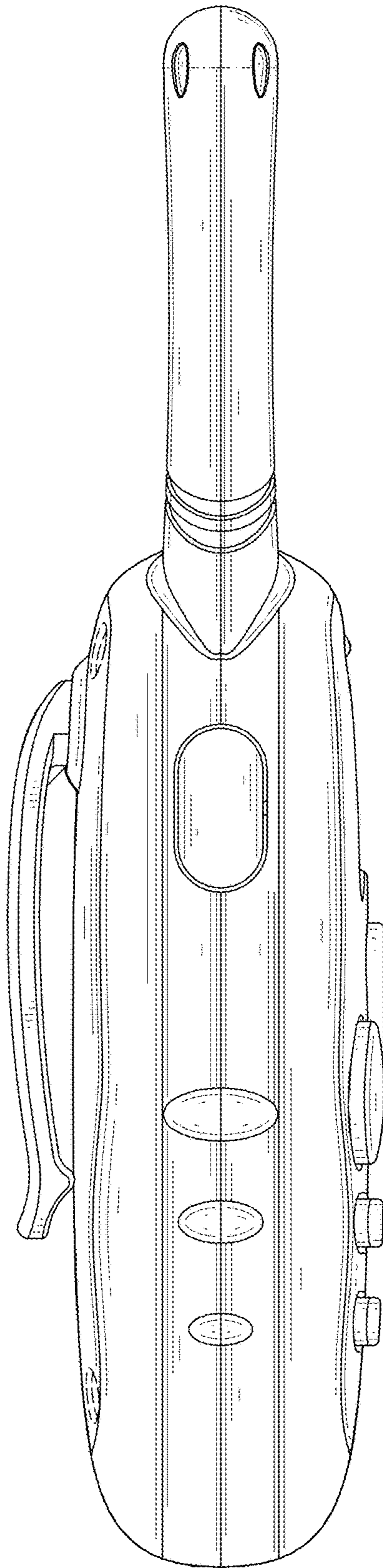


FIG. 4

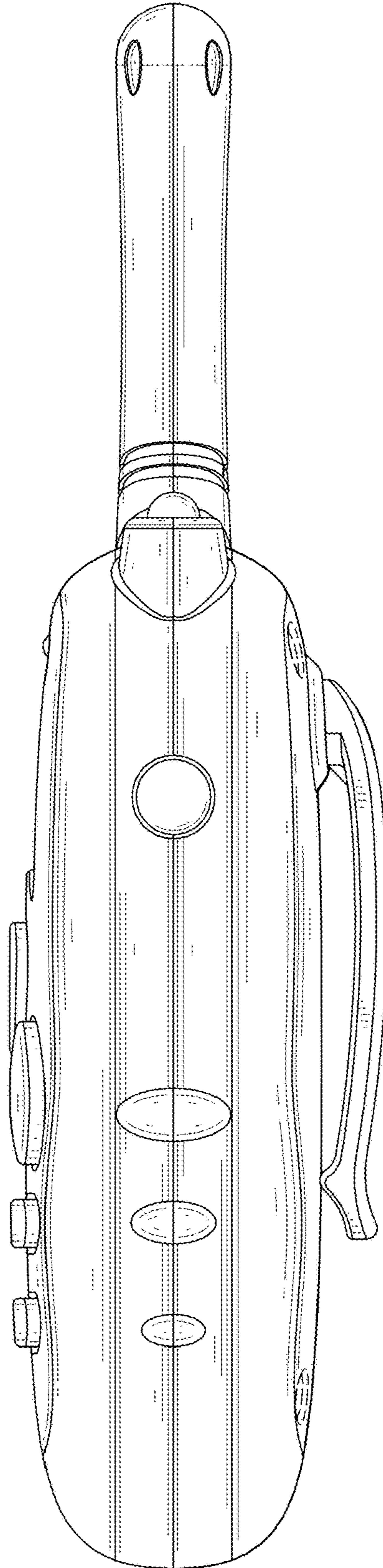


FIG. 5

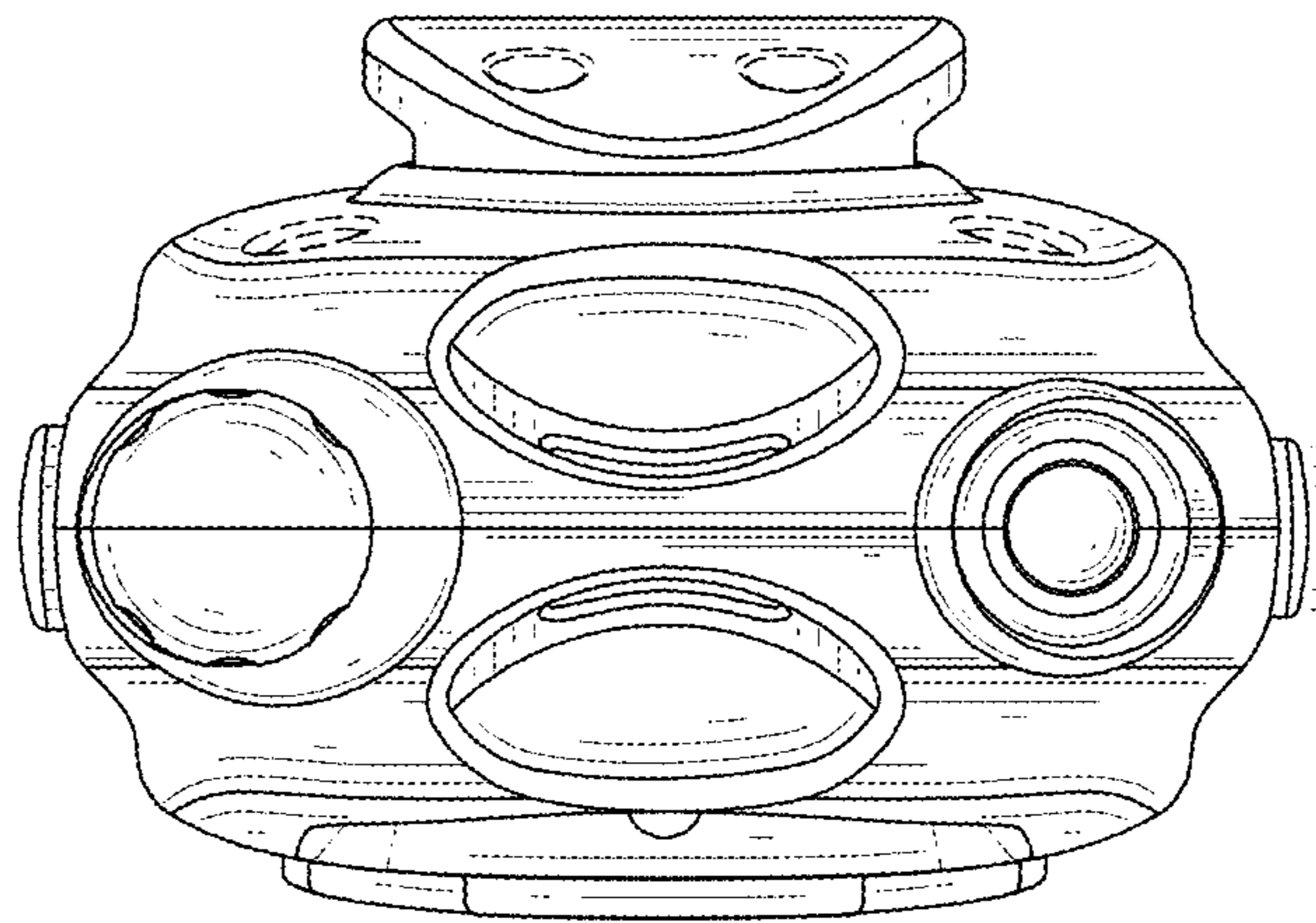


FIG. 6

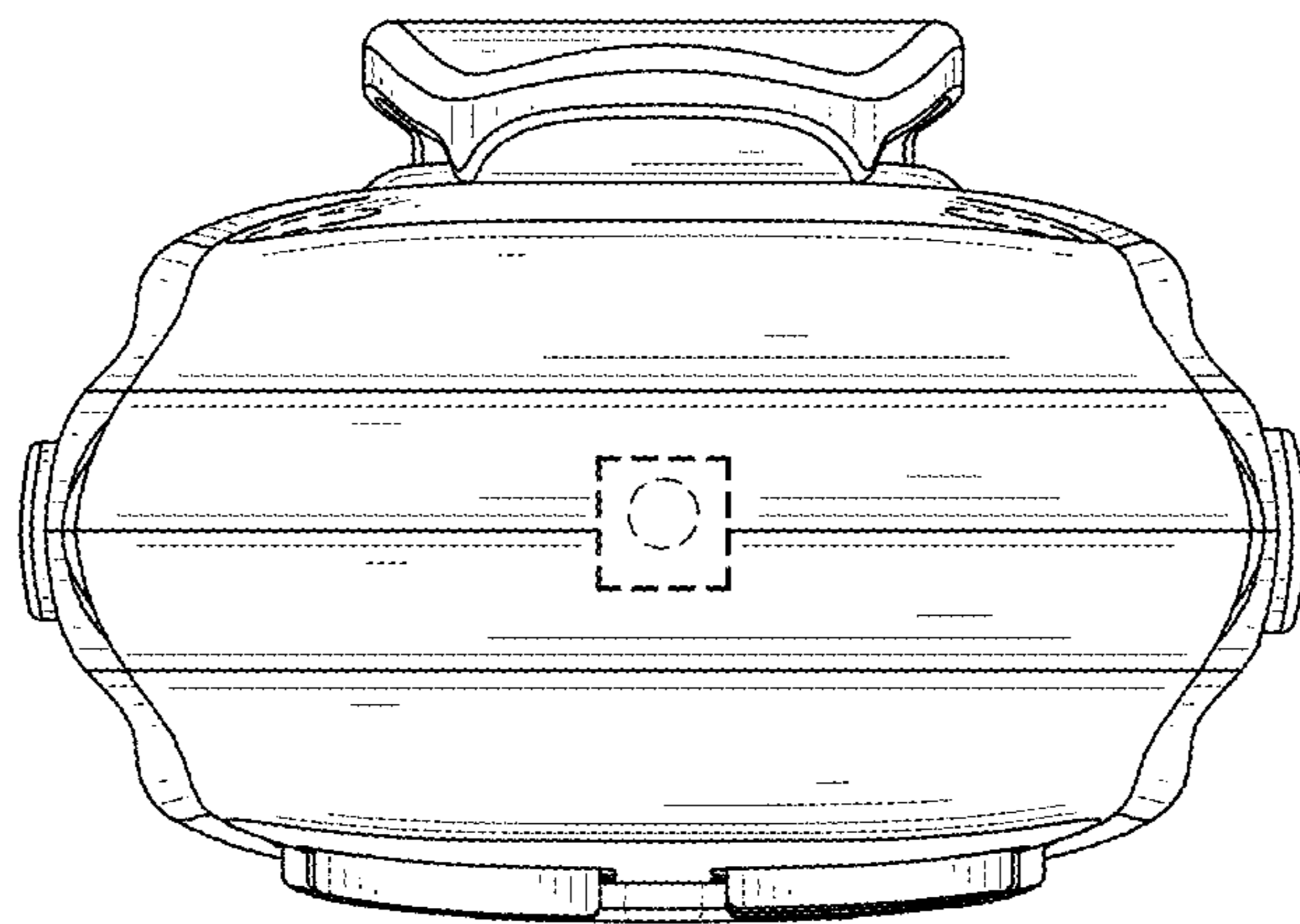


FIG. 7