

US00D862804S

(12) **United States Design Patent** (10) **Patent No.:** **US D862,804 S**
Bitar (45) **Date of Patent:** **** Oct. 8, 2019**

- (54) **ANIMAL LEASH WITH SPRING**
- (71) Applicant: **Pullnot Leash Inc.**, Pacifica, CA (US)
- (72) Inventor: **Allam Bitar**, Pacifica, CA (US)
- (73) Assignee: **Pullnot Leash, Inc.**, Pacifica, CA (US)
- (**) Term: **15 Years**
- (21) Appl. No.: **29/599,540**
- (22) Filed: **Apr. 4, 2017**
- (51) **LOC (12) Cl.** **30-04**
- (52) **U.S. Cl.**
USPC **D30/153**
- (58) **Field of Classification Search**
USPC D30/144, 151, 152, 153, 154, 160, 199;
D6/518; D21/732, 777; D3/215;
D8/107, 313
CPC A01K 27/003; A01K 27/005
See application file for complete search history.

- 2017/0127653 A1* 5/2017 Fang A01K 27/003
- 2017/0245471 A1* 8/2017 Sporn A01K 27/005
- 2017/0367303 A1* 12/2017 Bitar A01K 27/003

OTHER PUBLICATIONS

“Blue Moon Bloodhounds: PullNot Leash”. Found online Mar. 5, 2019 at [instagram.com](https://www.instagram.com/p/BTLH8nYBzBe/). Page dated Apr. 22, 2017. Retrieved from <https://www.instagram.com/p/BTLH8nYBzBe/>.*

(Continued)

Primary Examiner — Kendra Leslie Hamilton
(74) *Attorney, Agent, or Firm* — Chhabra Law Firm, PC

(57) **CLAIM**

The ornamental design of an animal leash with spring, as shown and described.

DESCRIPTION

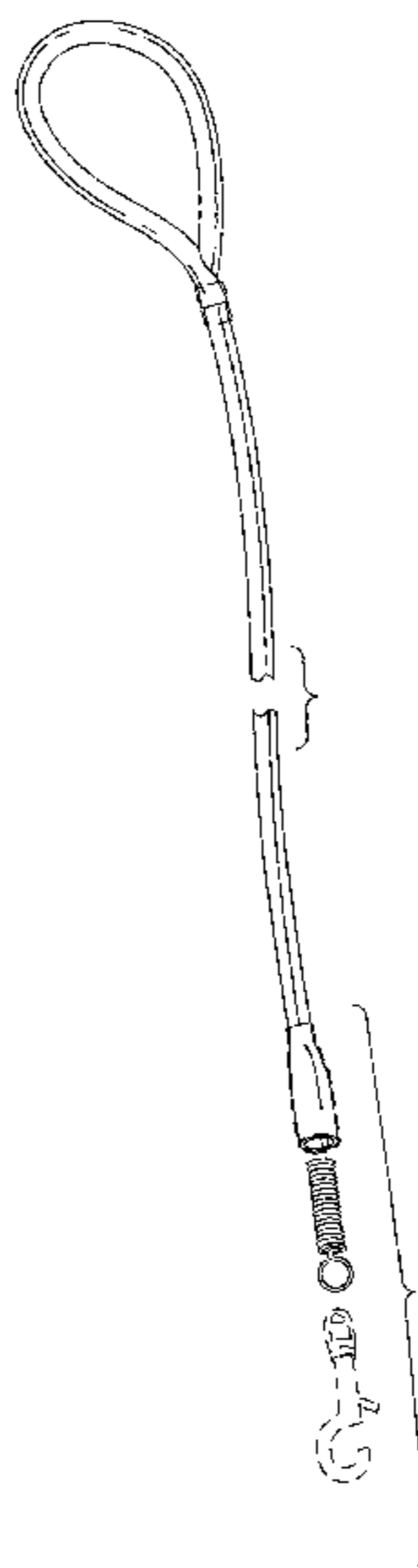
FIG. 1 is a front perspective view of an animal leash with spring, showing my new design.
 FIG. 2 is a right side view thereof.
 FIG. 3 is a left side view thereof.
 FIG. 4 is a front view thereof.
 FIG. 5 is a back view thereof.
 FIG. 6 is a top view thereof, shown enlarged for clarity of disclosure.
 FIG. 7 is a bottom view thereof, shown enlarged for clarity of disclosure; and,
 FIG. 8 is another front perspective view of the leash of FIG. 1, shown exploded for clarity of disclosure.
 The broken lines in the drawings depict unclaimed subject matter only and form no part of the claimed design. The animal leash with spring is shown with a symbolic break in its depth. The appearance of any portion of the article between the break lines forms no part of the claimed design.

(56) **References Cited**

U.S. PATENT DOCUMENTS

- D337,182 S * 7/1993 Small D30/153
- D374,518 S * 10/1996 McIntyre D21/694
- D389,612 S * 1/1998 Jacobsen D30/153
- 6,619,238 B1 * 9/2003 Amato A01K 27/003
119/792
- 6,827,045 B1 * 12/2004 Willner A01K 27/003
119/795
- 6,990,929 B2 1/2006 Young, III
- 7,293,531 B2 11/2007 Young, III
- D796,124 S * 8/2017 Ying D30/153
- D831,283 S * 10/2018 Bitar D30/153
- 2010/0251971 A1 * 10/2010 Hsieh A01K 27/005
119/798
- 2015/0033542 A1 * 2/2015 Miron A01K 27/003
29/515
- 2017/0112105 A1 * 4/2017 Johnson A01K 37/00

1 Claim, 5 Drawing Sheets



(56)

References Cited

OTHER PUBLICATIONS

“Nuestro Perro: Hunter Freestyle Neon Fluorescent Pink Fluorescent Strap”. Found online Feb. 28, 2019 at nuestroperro.es. Page dated Jul. 21, 2015. Retrieved from <https://www.nuestroperro.es/...os-para-perros/para-pasear-con-perros/correas-para-perros/correa-hunter-freestyle-neon-fluorescente-rosa-fluor>.*

“ZippyPaws Climbers Mountain Original Climbing Rope Dog Leash”. Found online Feb. 28, 2019 at chewy.com. Page dated Sep. 8, 2016. Retrieved from <https://www.chewy.com/zippypaws-climbers-mountain-original/dp/131503>.*

Round Genuine Rolled Leather Shock Absorbing Dog Leash 3.5" Long 1/2" Wide Brown for Large Breeds, <https://www.amazon.com/Genuine-Rolled-Leather-Absorbing-Breeds/dp/B00D24WHA2/>.

CatYou Dog Short Traffic Stainless Steel Buffer Spring with Snap Cable, <https://www.amazon.com/CatYou-Traffic-Stainless-Buffer-Spring/dp/B01LWCTH3W/>.

Black Shock Absorbing Leather Dog Short Traffic Leash 20" Long for Large to XLarge Breeds , <https://www.amazon.com/Absorbing-Leather-Traffic-XLarge-Breeds/dp/B008N2M5ZA/>.

Alfie Pet by Petoga Couture—Daytona Shock-Absorbing Leash with Microfiber Fast-Dry Towel, <https://www.amazon.com/Alfie-Pet-Petoga-Couture-Shock-Absorbing/dp/B00IXI1OK6/>.

Didog Heavy Duty Shock Absorbing Leather Traffic Dog Leash with Stainless Steel Buffer Spring for Walking and Training, <https://www.amazon.com/Didog-Absorbing-Leather-Stainless-Training/dp/B013X14DQE/>.

Coastal Pet Products DCP89042 Stainless Steel Titan Dog Shock Spring with Snap Cable Accessory, <https://www.amazon.com/Coastal-Pet-Products-Stainless-Accessory/dp/B00BUFWOGW/>.

Jerk-Ease Bungee Dog Leash Attachment—patented shock absorber protects you and your dog—works with ANY leash & collar (or harness), <https://www.amazon.com/JERK-EASE-Patented-Absorber-Bungee-Attachment/dp/B008GK72FW/>.

* cited by examiner

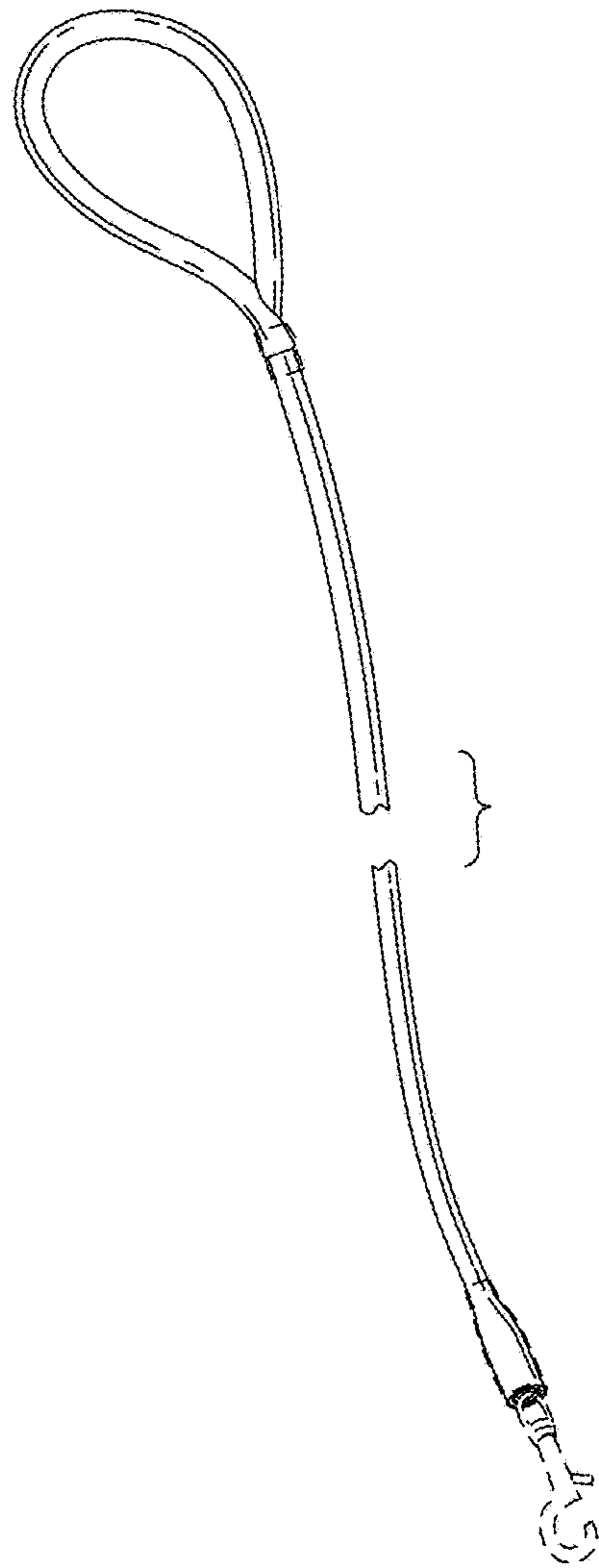


FIG. 1

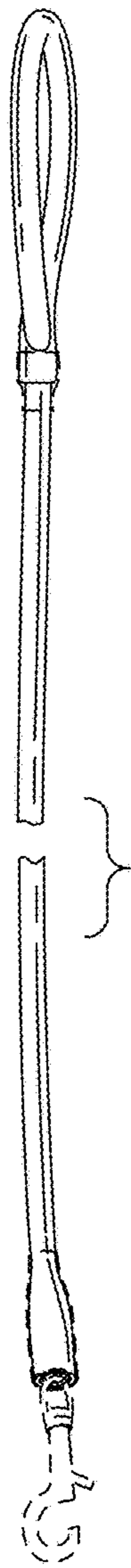


FIG. 2

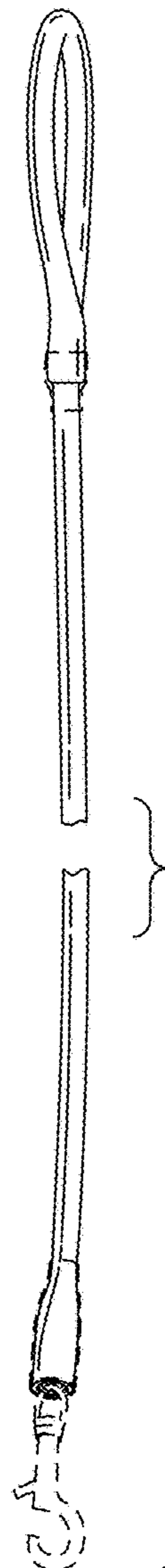


FIG. 3

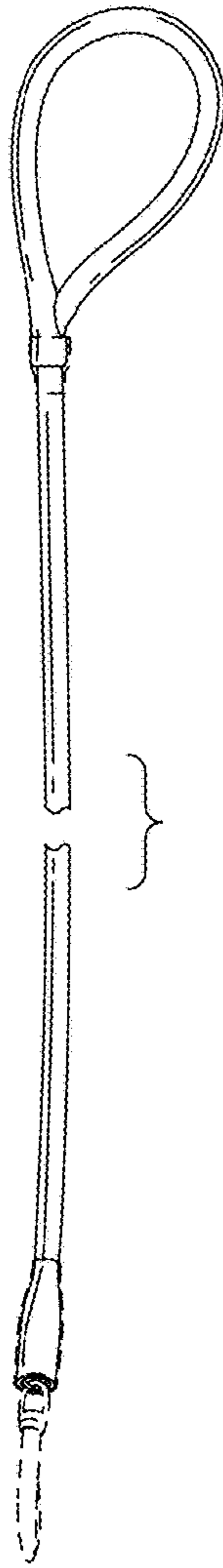


FIG. 4

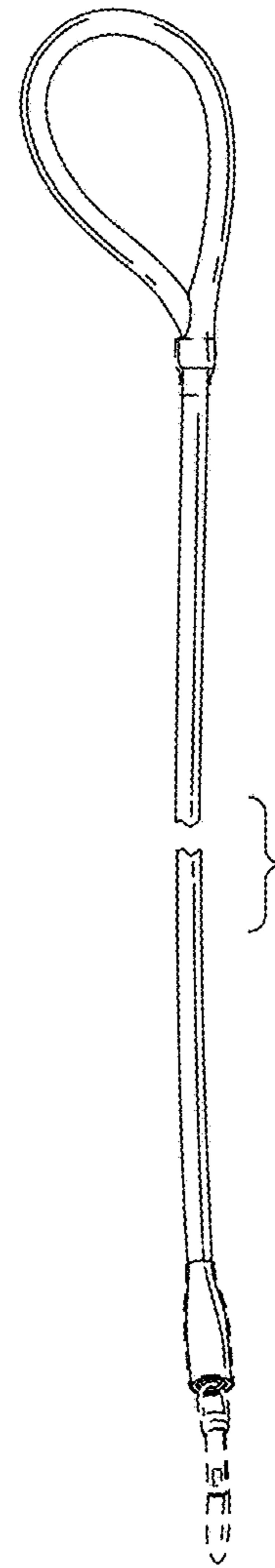


FIG. 5

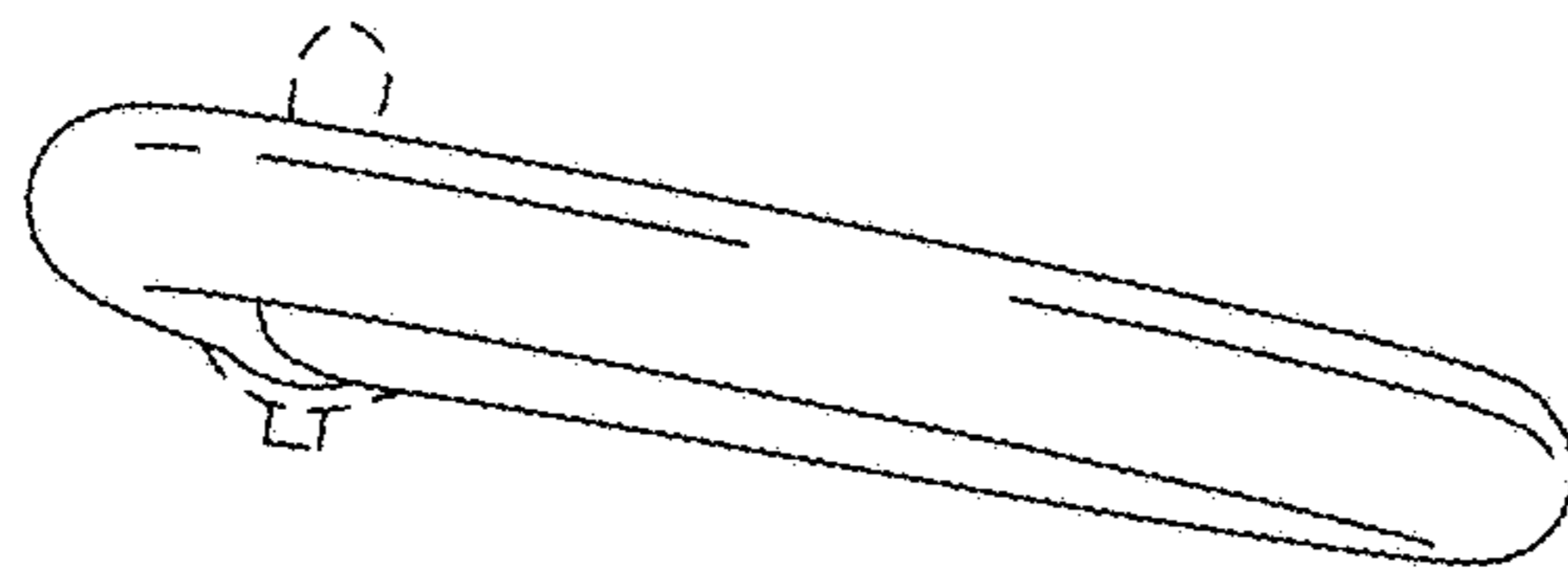


FIG. 6

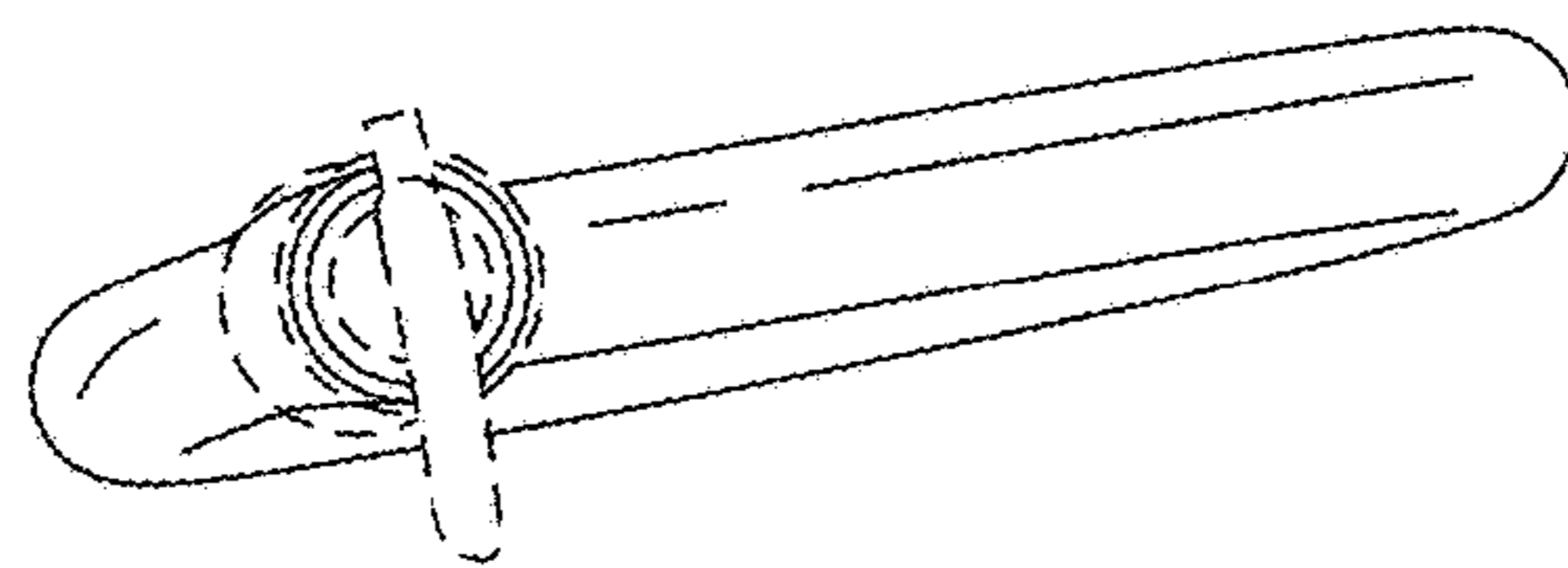


FIG. 7

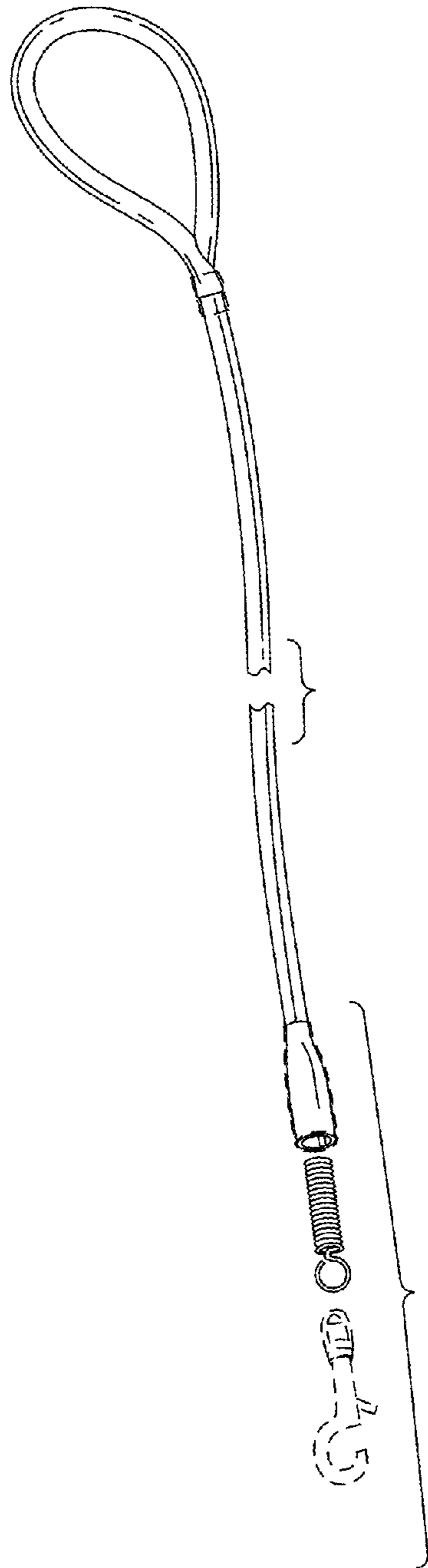


FIG. 8