



US00D862802S

(12) **United States Design Patent**
Nifong et al.

(10) **Patent No.:** **US D862,802 S**

(45) **Date of Patent:** **** Oct. 8, 2019**

(54) **HANGER ASSEMBLY FOR A BIRDFEEDER**

31/14; A47G 7/044; A47G 7/045; A47G
7/047; F16M 13/02; F16M 13/022

(71) Applicant: **Classic Brands, LLC**, Denver, CO
(US)

See application file for complete search history.

(72) Inventors: **Lindsey Nifong**, Denver, CO (US);
Stephen Combs, Denver, CO (US);
John Bruno, Parker, CO (US); **Robert
Donegan**, Denver, CO (US); **Bryan
Krueger**, Denver, CO (US)

(56) **References Cited**

U.S. PATENT DOCUMENTS

4,355,597	A *	10/1982	Blasbalg	A01K 39/012 119/57.8
4,901,673	A *	2/1990	Overstreet	A01K 39/00 119/72
D367,737	S *	3/1996	McNaughton	248/318
6,539,892	B1 *	4/2003	Bescherer	A01K 39/0113 119/52.1
6,647,921	B2 *	11/2003	Stokes	A01K 39/0113 119/429

(73) Assignee: **Classic Brands, LLC**, Denver, CO
(US)

(**) Term: **15 Years**

(Continued)

(21) Appl. No.: **29/685,921**

Primary Examiner — Susan Moon Lee

(22) Filed: **Apr. 1, 2019**

(74) *Attorney, Agent, or Firm* — Polsinelli PC

Related U.S. Application Data

(57) **CLAIM**

(63) Continuation of application No. 29/653,841, filed on
Jun. 19, 2018, now Pat. No. Des. 844,906, which is a
continuation of application No. 29/609,258, filed on
Jun. 29, 2017, now Pat. No. Des. 821,659.

The ornamental design for a hanger assembly for a bird-
feeder, as shown and described.

(51) **LOC (12) Cl.** **30-03**

DESCRIPTION

(52) **U.S. Cl.**

USPC **D30/124**; D30/127

FIG. 1 is an isometric view of a hanger assembly for a
birdfeeder showing our new design with other portions of a
birdfeeder.

(58) **Field of Classification Search**

USPC D30/121, 124, 126–129, 133, 199,
D30/110–112, 123, 125; 119/52.2, 51.5,
119/61.5, 57.8, 57.9, 52.3, 61.1, 531, 63,
119/428–435, 52.4, 55, 61.3, 69.5, 75, 76;
47/67, 83; 248/318; D11/164, 152;
211/128.1; D27/123; D6/495, 460, 461,
D6/476, 405; D26/67

FIG. 2 is an isometric view of the hanger assembly for a
birdfeeder.

FIG. 3 is a bottom perspective view thereof.

FIG. 4 is a side view thereof.

FIG. 5 is a front view thereof.

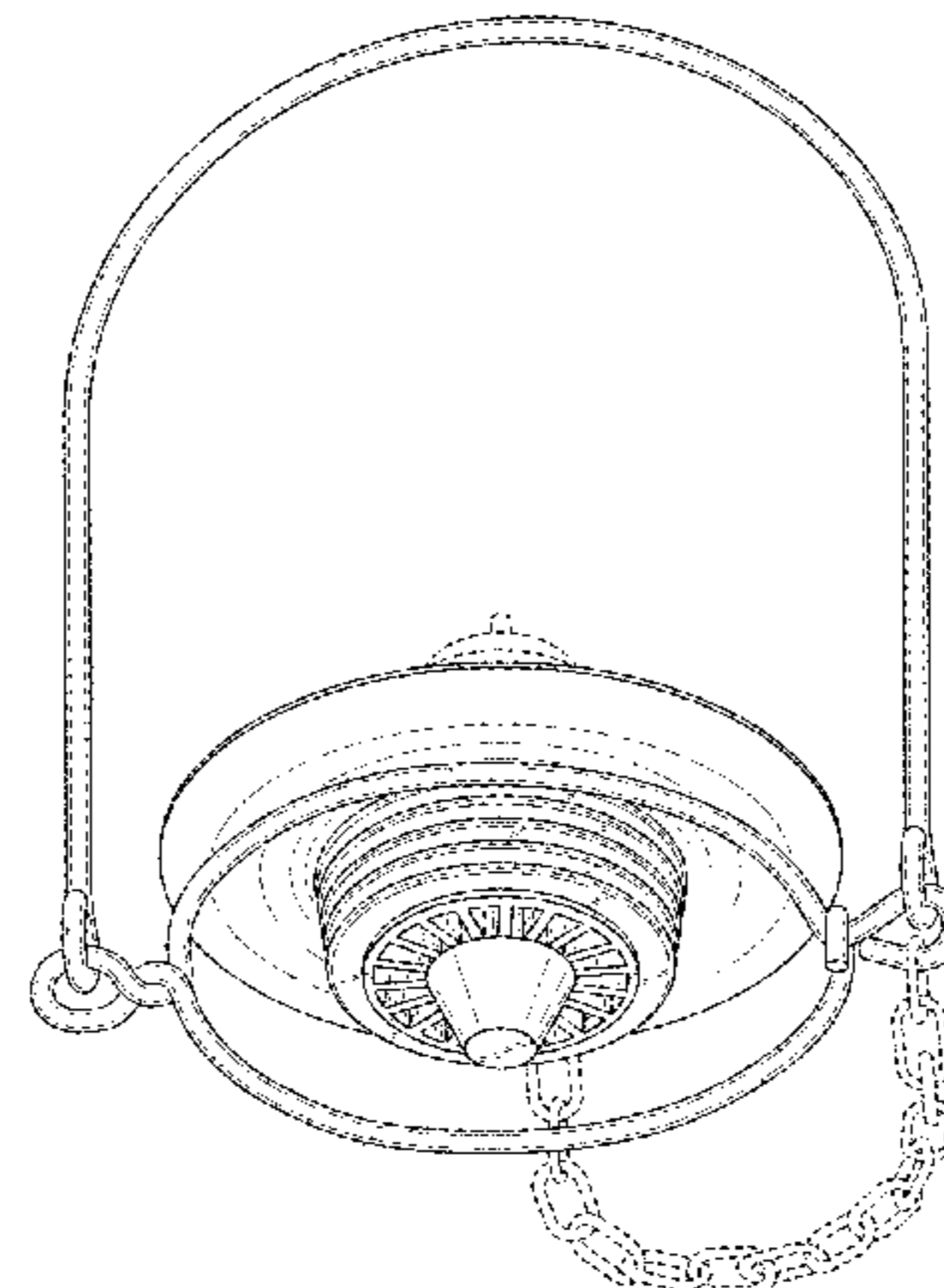
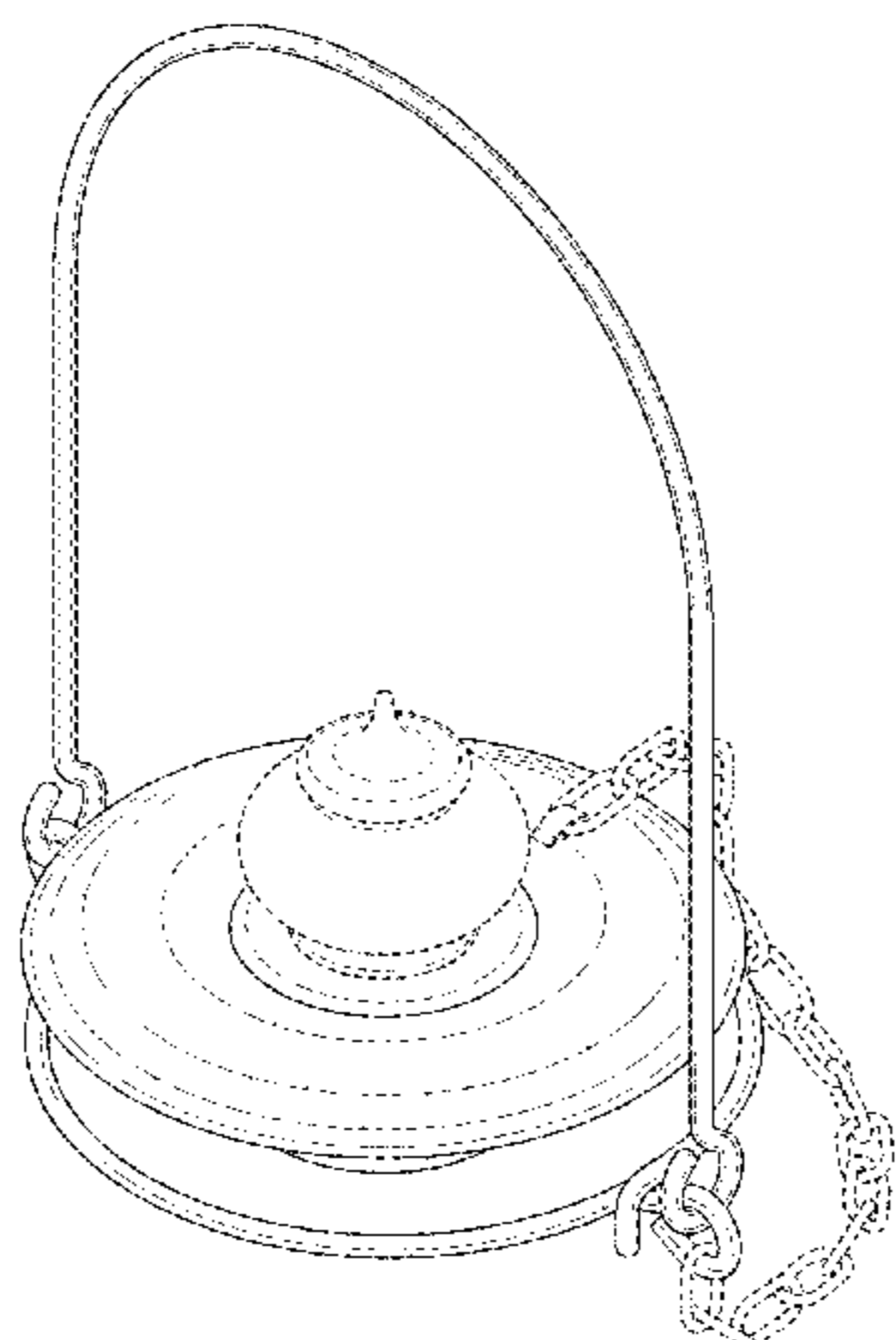
FIG. 6 is a top view thereof; and,

FIG. 7 is a bottom view thereof.

The broken lines in the Figures show environment forming
no part of the claimed design or show portions of the hanger
assembly for a birdfeeder that form no part of the claimed
design. The shade lines in the Figures show contour and do
not claim surface ornamentation or treatment.

CPC A01K 39/00; A01K 39/01; A01K 39/0106;
A01K 39/0113; A01K 39/012; A01K
39/0125; A01K 3/014; A01K 3/04; A01K
3/06; A01K 3/00; A01K 31/12; A01K

1 Claim, 7 Drawing Sheets



(56)

References Cited

U.S. PATENT DOCUMENTS

7,258,075	B1 *	8/2007	Jones	A01K 39/0113	
						119/57.9
7,261,055	B2 *	8/2007	Nock	A01K 39/00	
						119/51.01
D585,625	S *	1/2009	Gray	D99/5	
D683,909	S *	6/2013	Muhr	D30/124	
D698,100	S *	1/2014	Muhr	D30/124	
D713,101	S *	9/2014	Bruno	D30/127	
D744,172	S *	11/2015	Donegan	D30/127	
D788,381	S *	5/2017	Krueger	D30/125	
D788,382	S *	5/2017	Krueger	D30/125	
D821,659	S *	6/2018	Nifong	D30/124	
D821,660	S *	6/2018	Nifong	D30/124	
2001/0032592	A1 *	10/2001	Bescherer	A01K 39/0106	
						119/51.01
2006/0016400	A1 *	1/2006	Rich	A01K 39/012	
						119/57.8
2007/0221133	A1 *	9/2007	Richmond	A01K 39/012	
						119/72
2007/0227453	A1 *	10/2007	Puckett	A01K 39/012	
						119/57.8
2008/0251025	A1 *	10/2008	Guay	A01K 39/0206	
						119/78
2011/0083609	A1 *	4/2011	Cote	A01K 39/012	
						119/52.2
2012/0234249	A1 *	9/2012	Gaze	A01K 39/012	
						119/57.8
2015/0122186	A1 *	5/2015	Donegan	A01K 39/0113	
						119/51.5

* cited by examiner

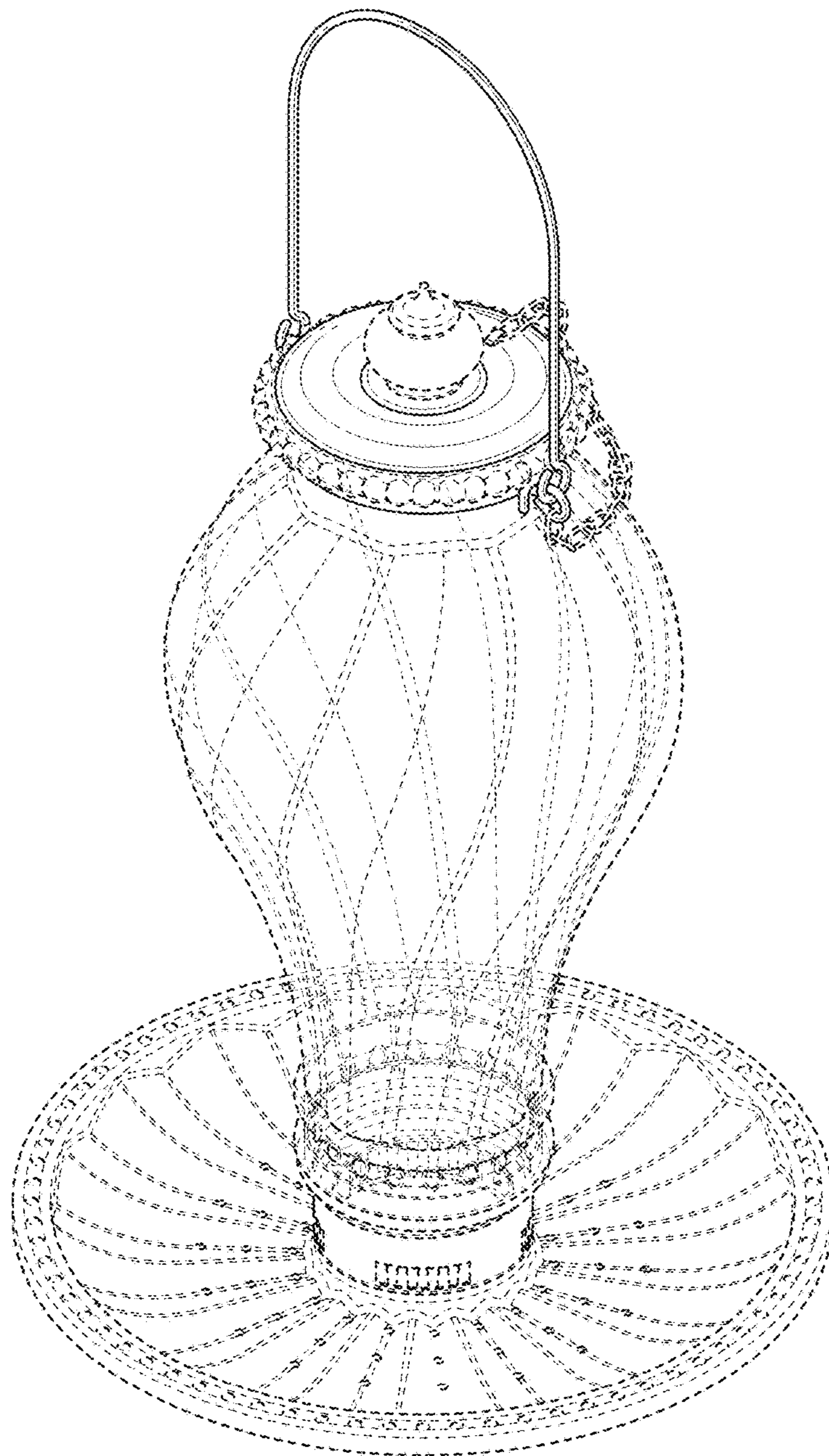


FIG. 1

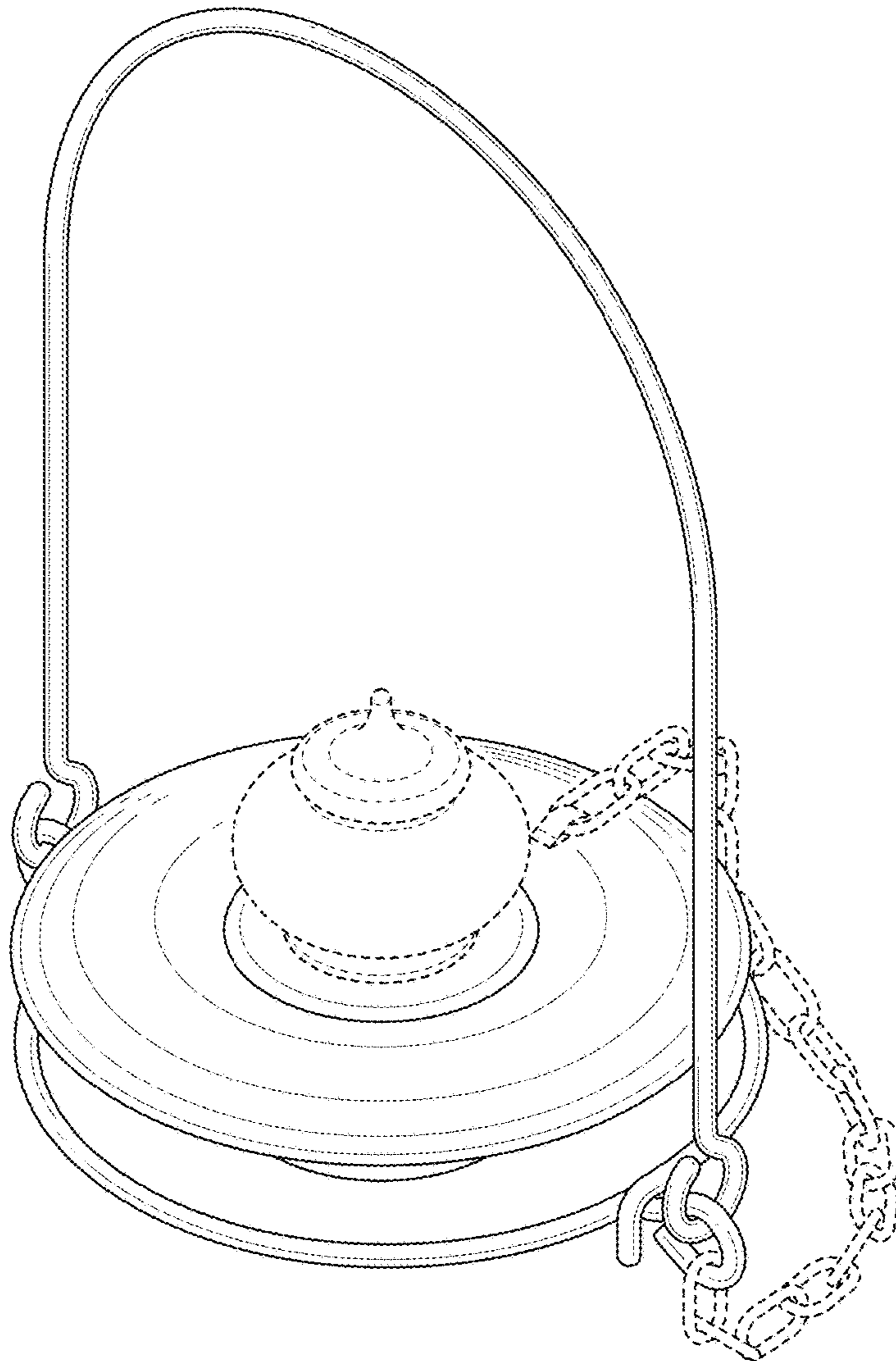


FIG. 2

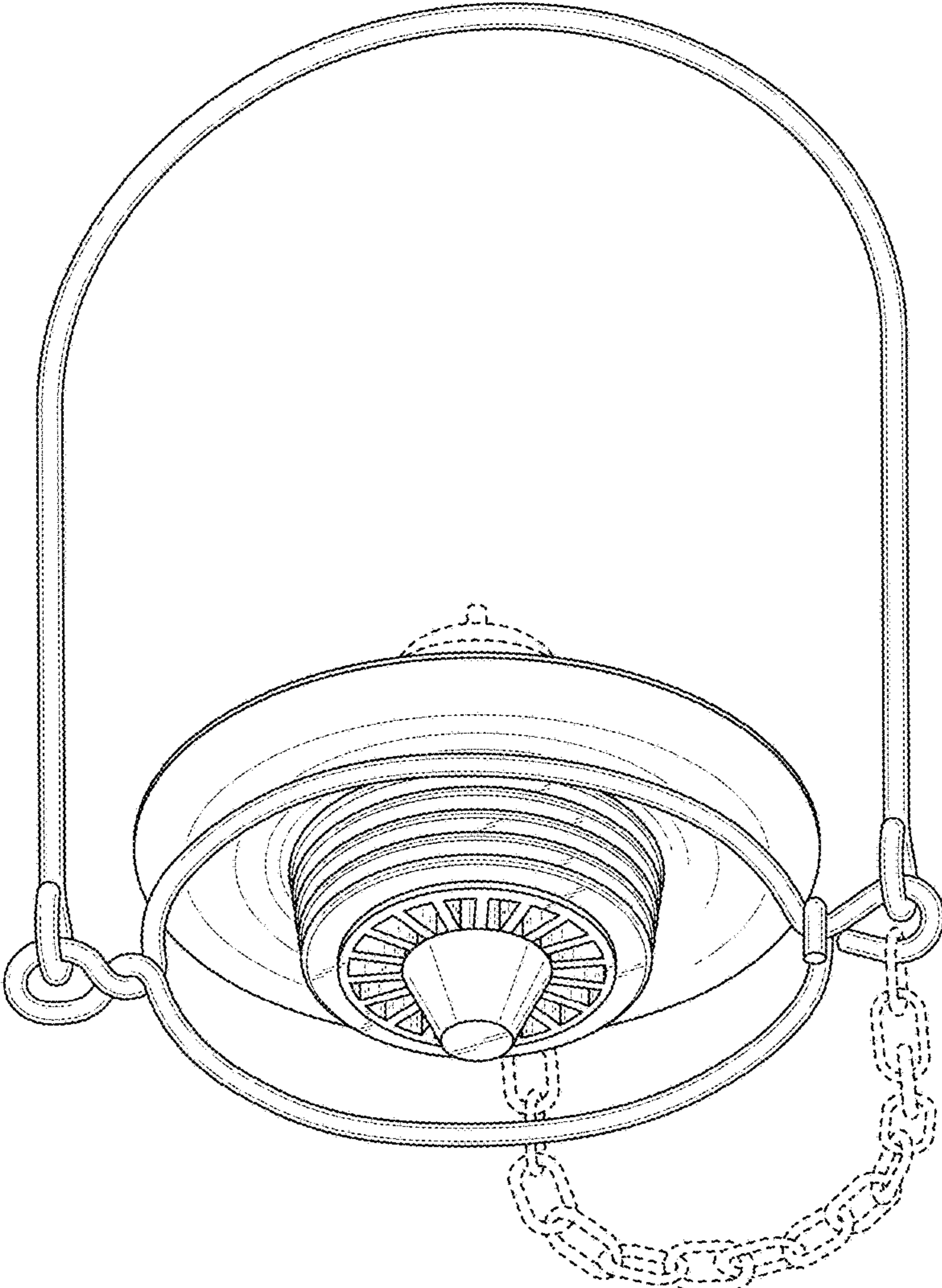


FIG. 3

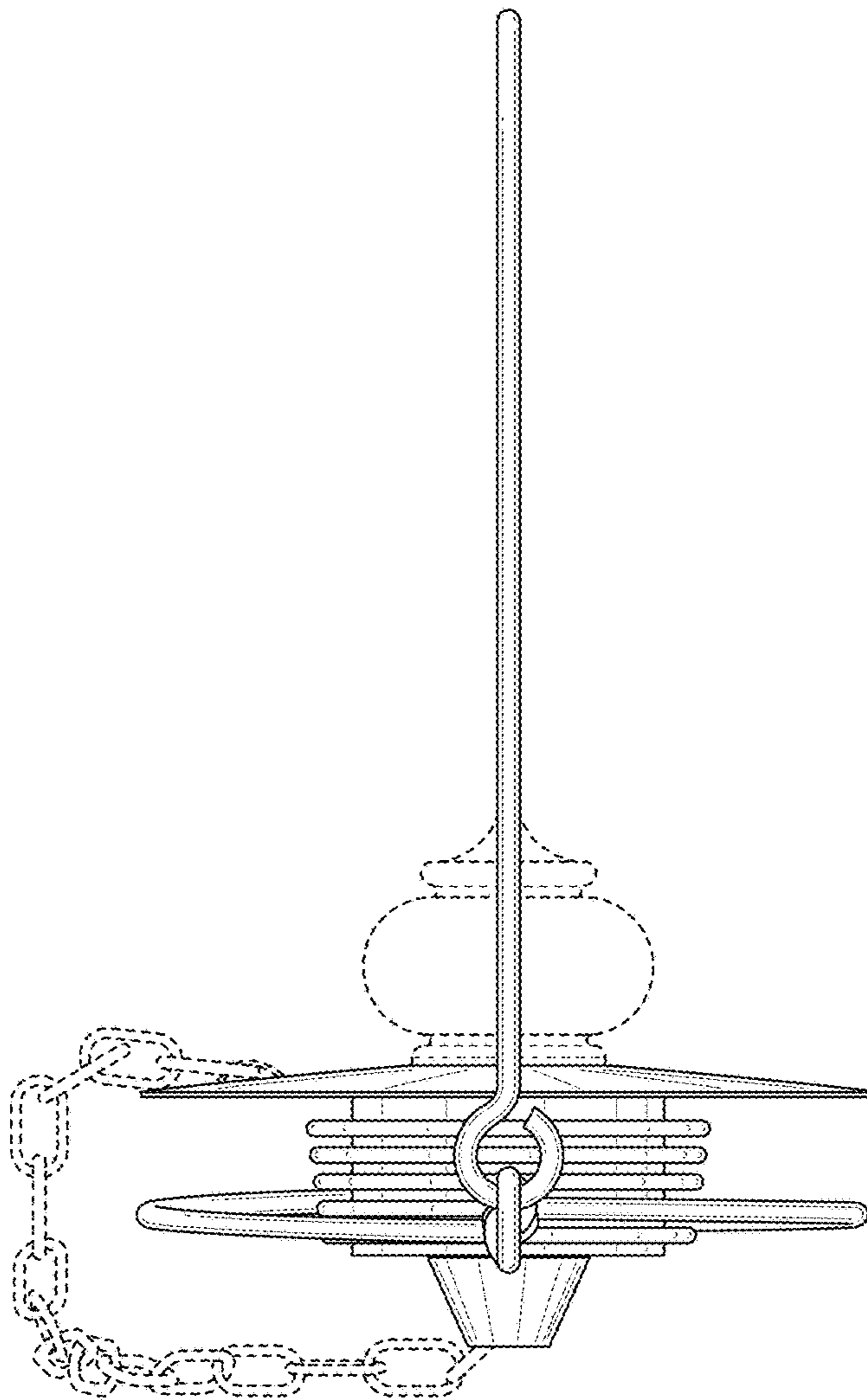


FIG. 4

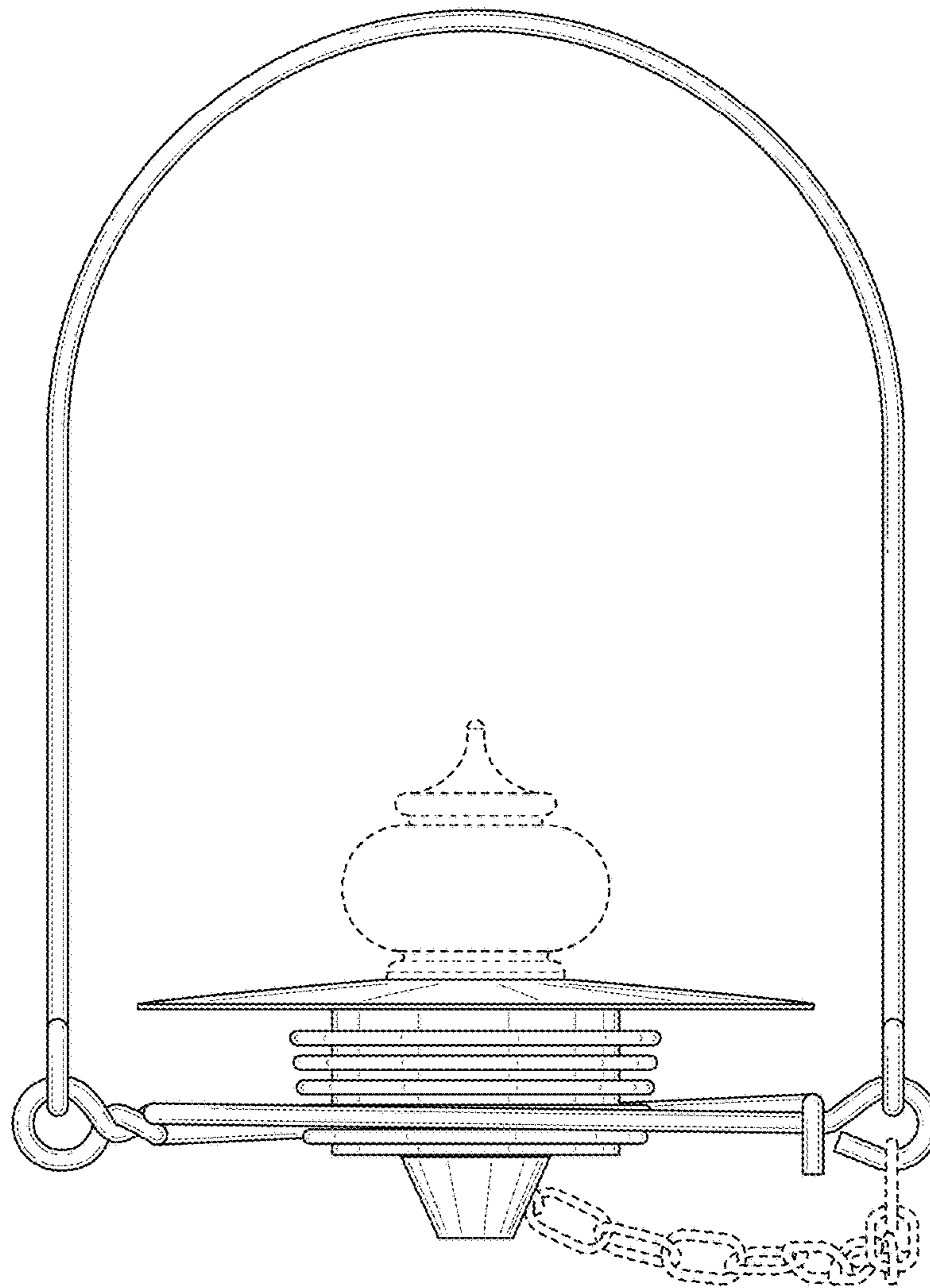


FIG. 5

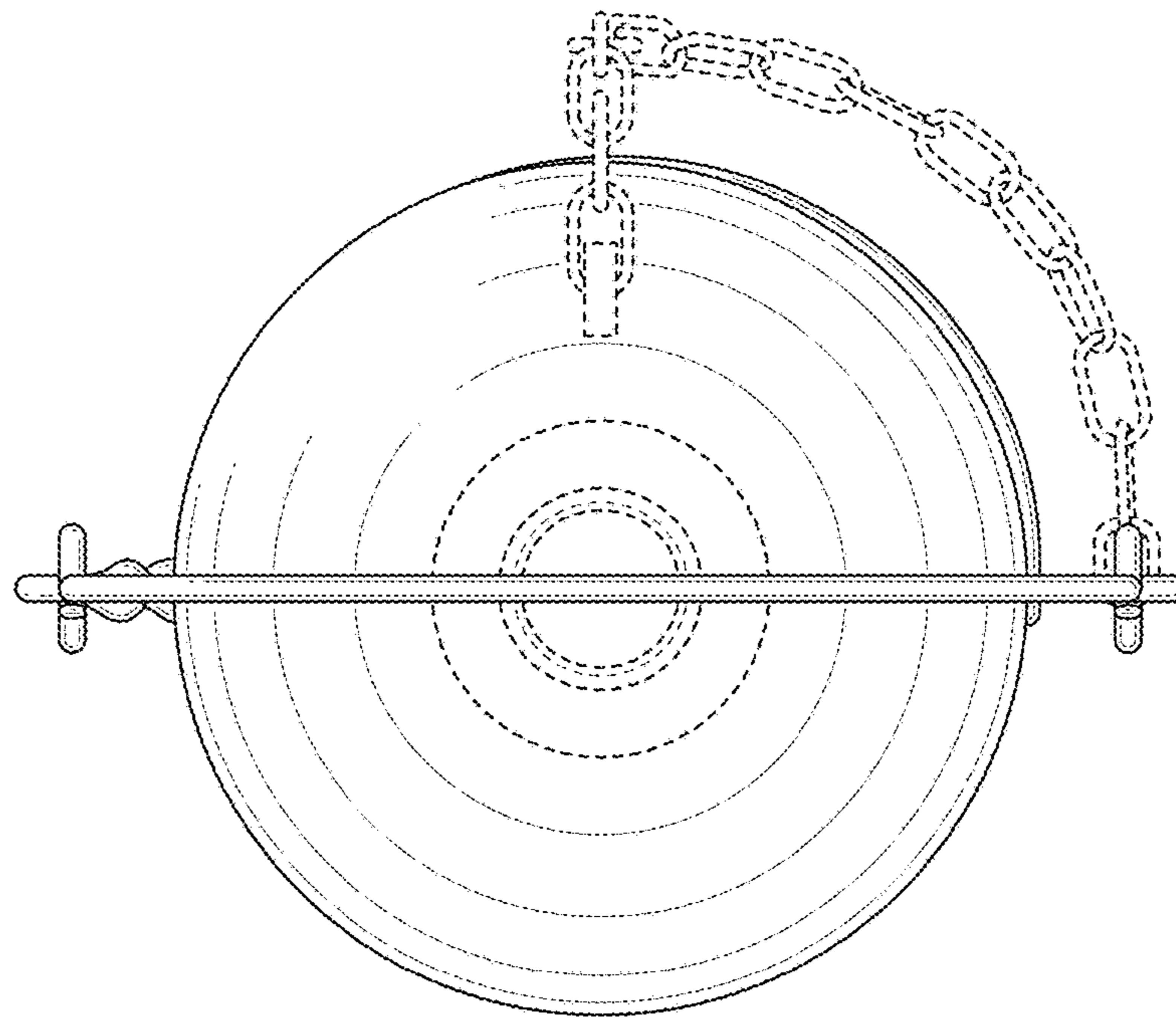


FIG. 6

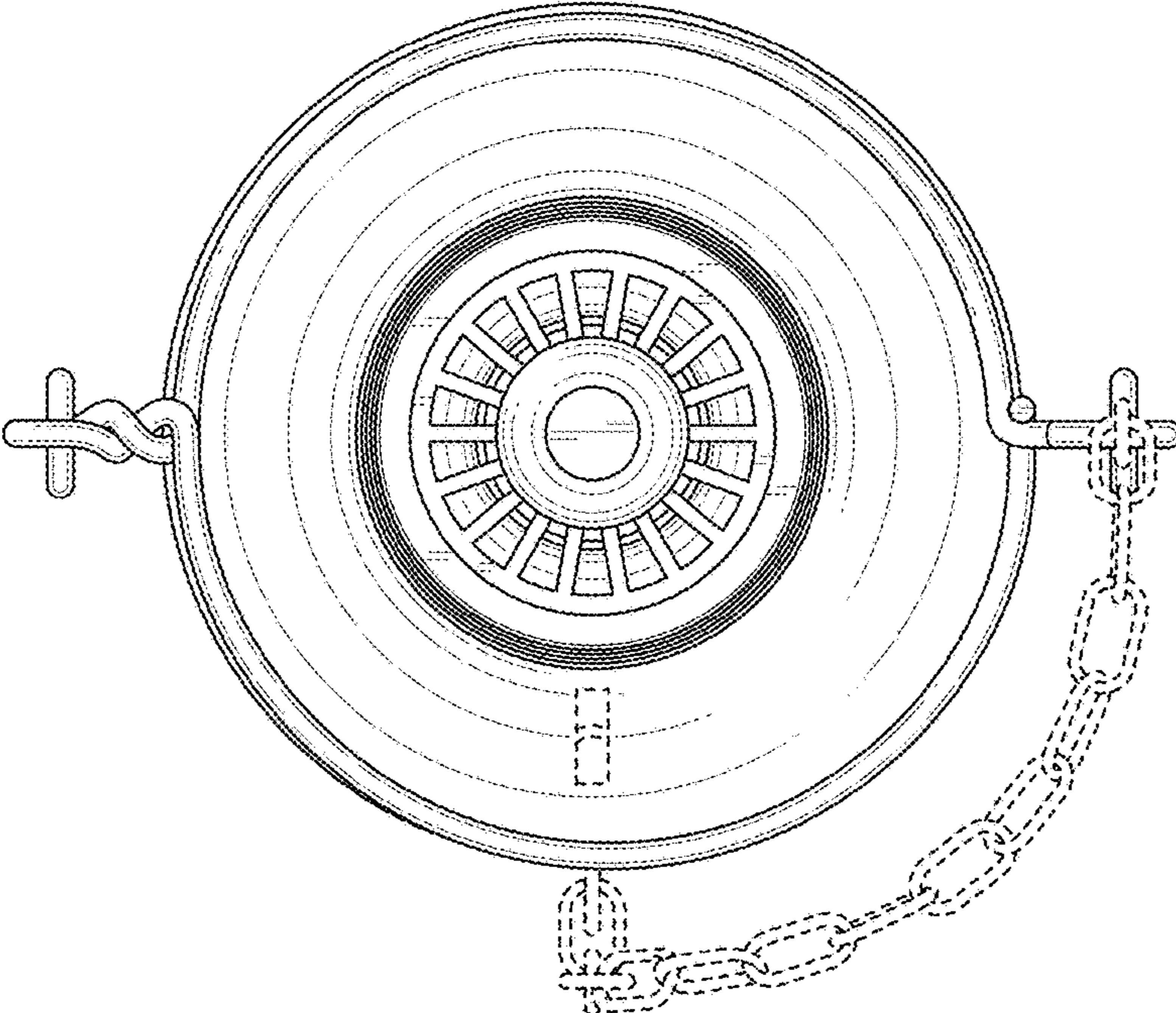


FIG. 7