

US00D862798S

(12) **United States Design Patent**
Choi et al.

(10) **Patent No.:** **US D862,798 S**

(45) **Date of Patent:** **** Oct. 8, 2019**

(54) **ARTIFICIAL NAIL**

(71) Applicant: **JC KOREA CORP.**, Gyeonggi-do (KR)

(72) Inventors: **Kyoung Sik Choi**, Gyeonggi-do (KR);
Dong Sung Kim, Gyeonggi-do (KR)

(73) Assignee: **JC KOREA CORP.**, Gyeonggi-Do (KR)

(**) Term: **15 Years**

(21) Appl. No.: **29/655,273**

(22) Filed: **Jul. 2, 2018**

(30) **Foreign Application Priority Data**

Jun. 1, 2018 (KR) 30-2018-0025533

(51) **LOC (12) Cl.** **28-03**

(52) **U.S. Cl.**
USPC **D28/56**

(58) **Field of Classification Search**
USPC D28/55-62, 99
CPC A45D 29/00; A45D 29/18; A45D 29/02;
A45D 29/001; A45D 29/004; A45D
29/023; A45D 44/00

See application file for complete search history.

(56) **References Cited**

U.S. PATENT DOCUMENTS

D387,488 S * 12/1997 Meyerovich D28/56
D397,514 S * 8/1998 Shilinsky D28/56
5,860,429 A * 1/1999 Chang A45D 31/00
132/73
D488,261 S * 4/2004 Sorensen D28/56
D500,893 S * 1/2005 Chang D28/56
D525,747 S * 7/2006 Robinson D28/56
D545,495 S * 6/2007 Ma D28/56

D616,150 S * 5/2010 Tran D28/56
8,210,185 B2 * 7/2012 Fracassi A45D 31/00
132/73
D670,481 S * 11/2012 Wolf D2/946
D692,888 S * 11/2013 Moore D14/411
2004/0079381 A1 * 4/2004 Han A45D 31/00
132/73
2008/0099037 A1 * 5/2008 Chang A45D 31/00
132/285

OTHER PUBLICATIONS

Easy Gel Polish Ombre Geometric Nail Tutorial, shimmena Austin, published on Mar. 5, 2017 on youtube.com, retrieved on May 5, 2019, retrieved from the Internet URL: <https://www.youtube.com/watch?v=e1ATPyMsooY>.*

Dashing Diva Official Instagram, photo published Jul. 21, 2017, retrieved on May 5, 2019, retrieved from the Internet URL: https://www.instagram.com/dashingdiva_official/.*

(Continued)

Primary Examiner — Jennifer Rivard

Assistant Examiner — Alison M Ofstun

(74) *Attorney, Agent, or Firm* — Duane Morris LLP; J. Rodman Steele, Jr.; Gregory M. Lefkowitz

(57) **CLAIM**

The ornamental design for an artificial nail, as shown and described.

DESCRIPTION

FIG. 1 is a perspective view of an artificial nail showing our new design;

FIG. 2 shows a front view thereof.

FIG. 3 shows a rear view thereof.

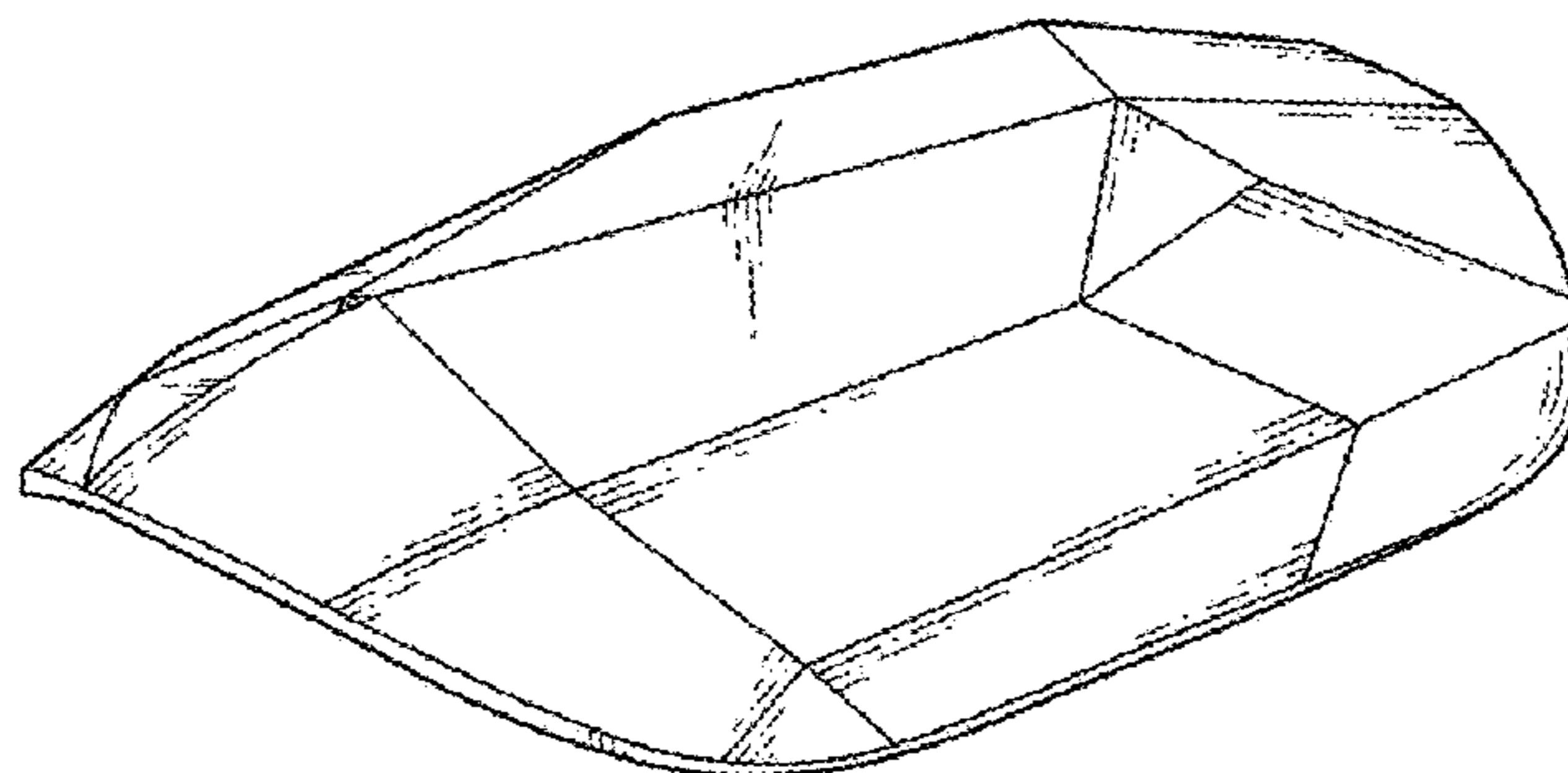
FIG. 4 shows a left side thereof.

FIG. 5 shows a right side thereof.

FIG. 6 shows a plan view thereof; and,

FIG. 7 shows a bottom view thereof.

1 Claim, 5 Drawing Sheets



(56)

References Cited

OTHER PUBLICATIONS

Glass Nails Trend—Marie Claire, article published on Oct. 19, 2015, retrieved on May 7, 2019, retrieved from the Internet URL: <https://www.marieclaire.com/beauty/news/a16475/glass-nails-trend/>.*

Shattered Glass Nail Art, Cosmopolitan, article published on Nov. 18, 2015, retrieved on May 7, 2019, retrieved from the Internet URL: <https://www.cosmopolitan.com/style-beauty/beauty/news/a49472/shattered-glass-nails/>.*

* cited by examiner

Fig. 1

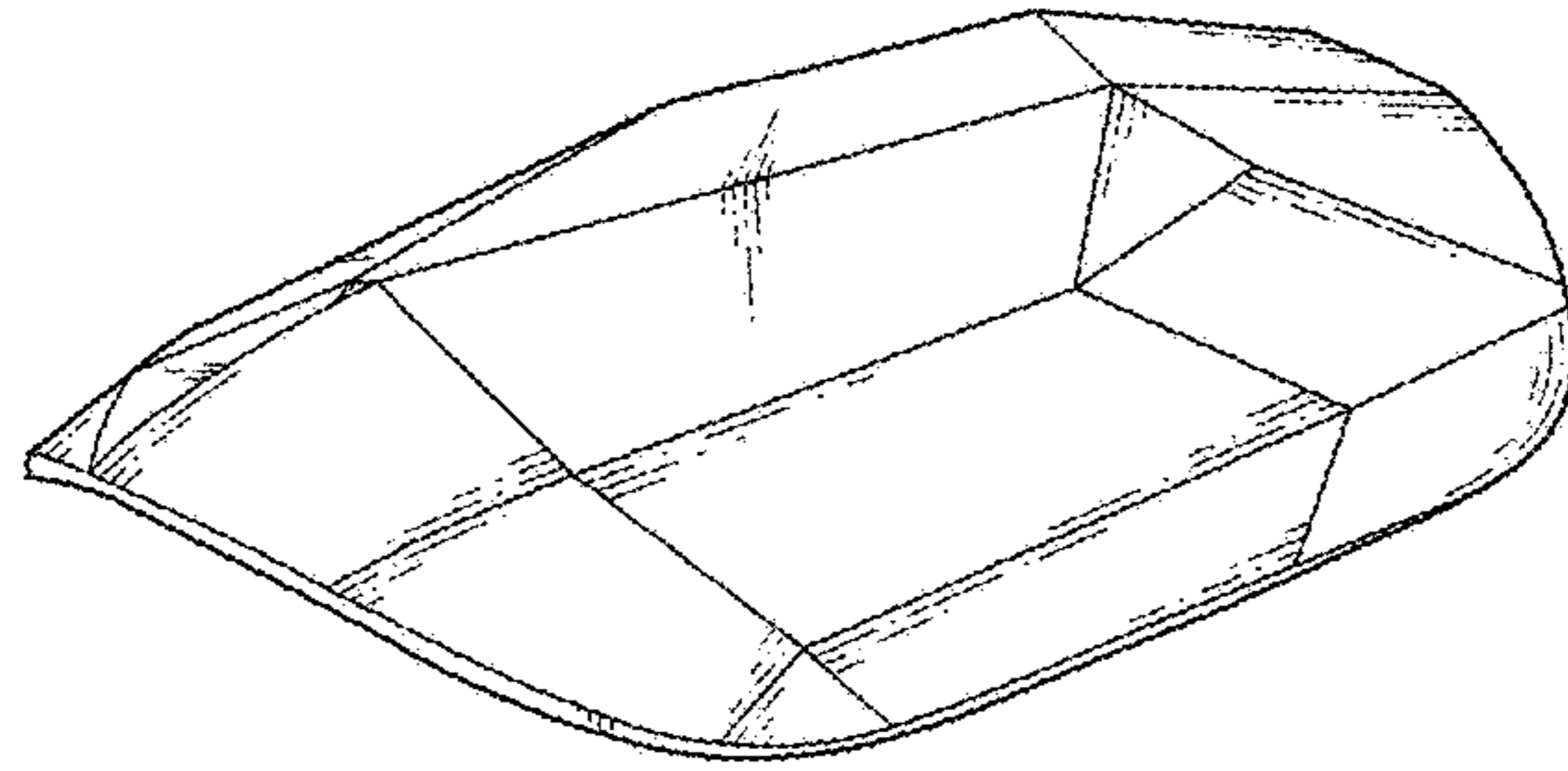


Fig. 2

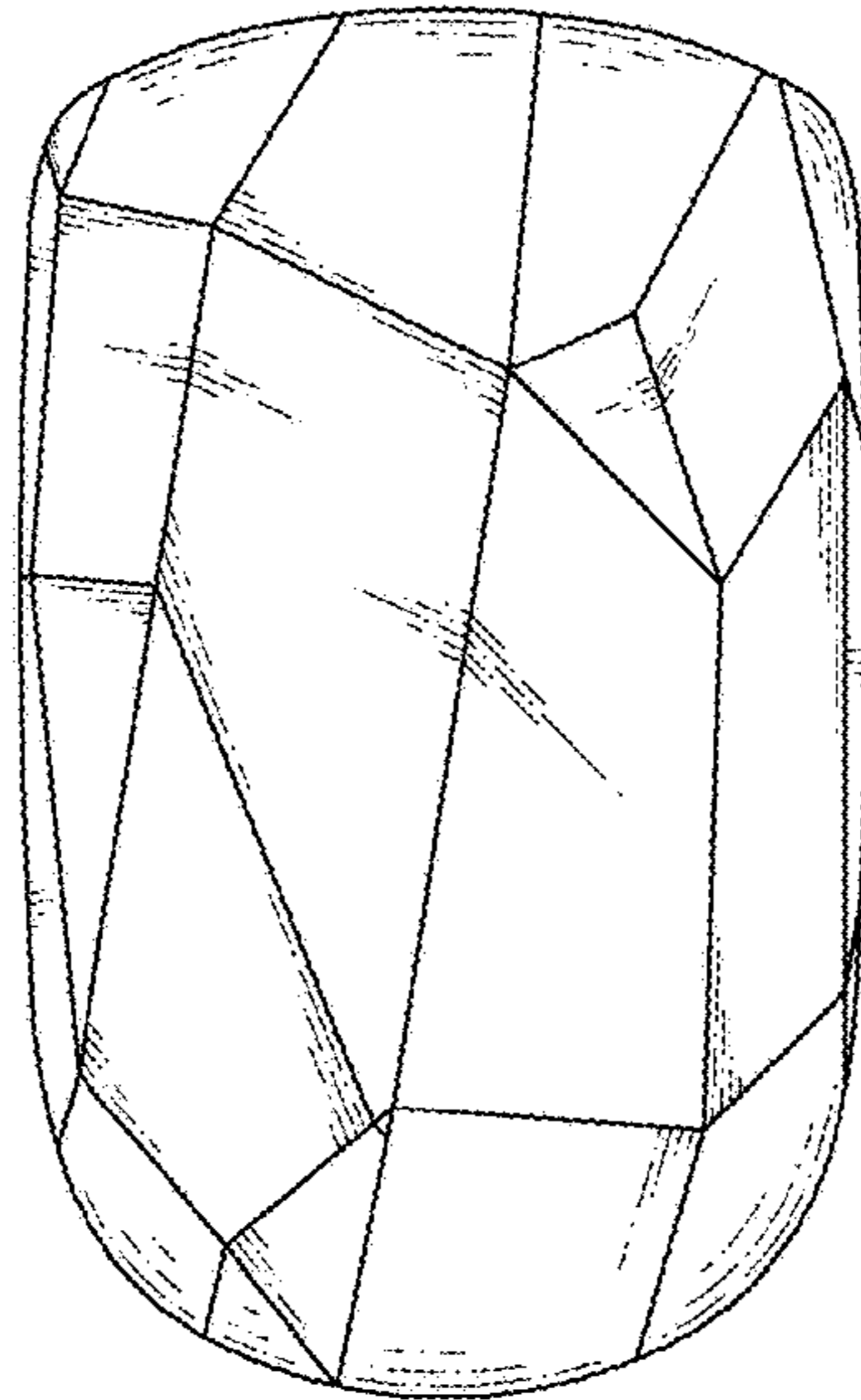


Fig. 3

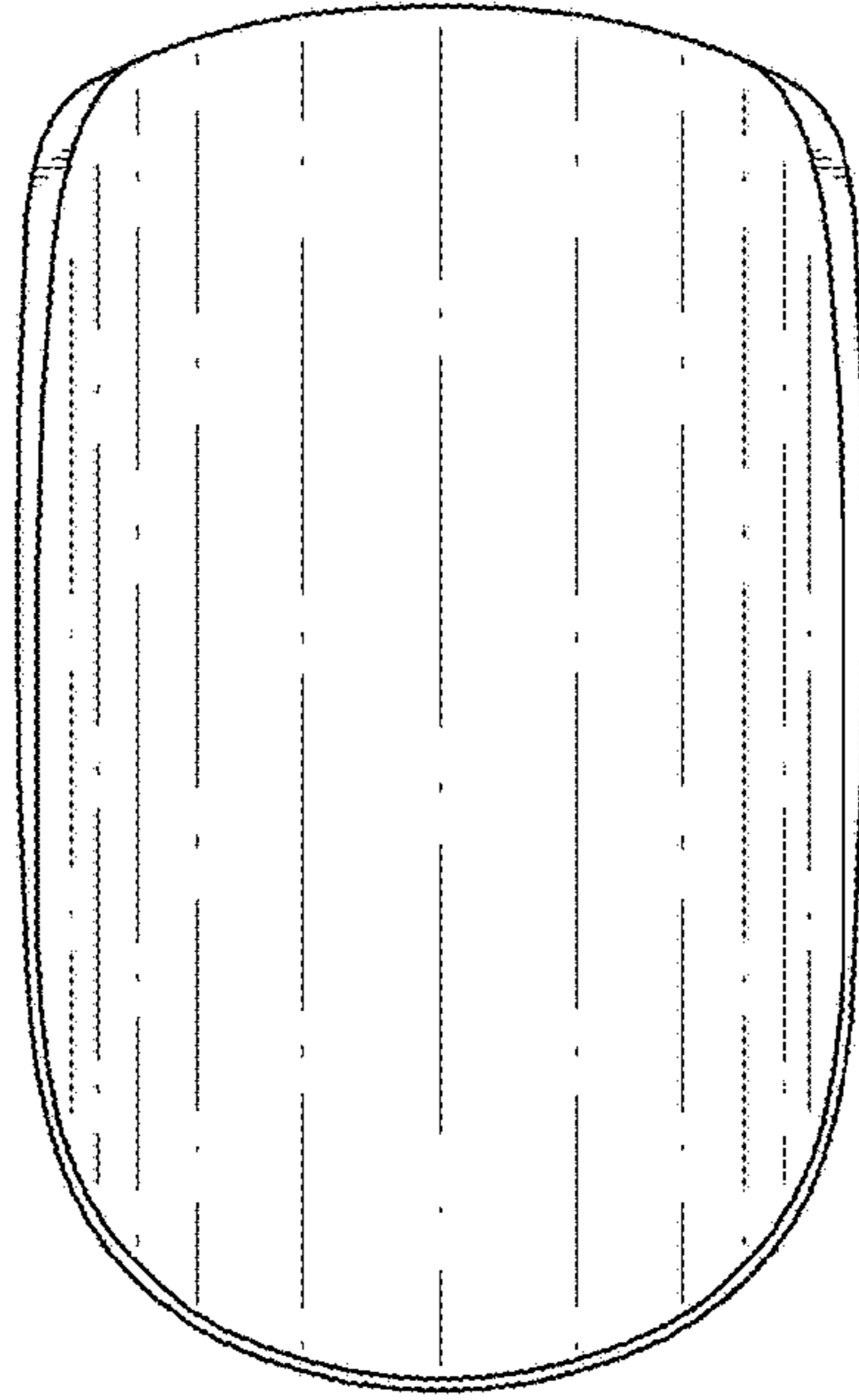


Fig. 4

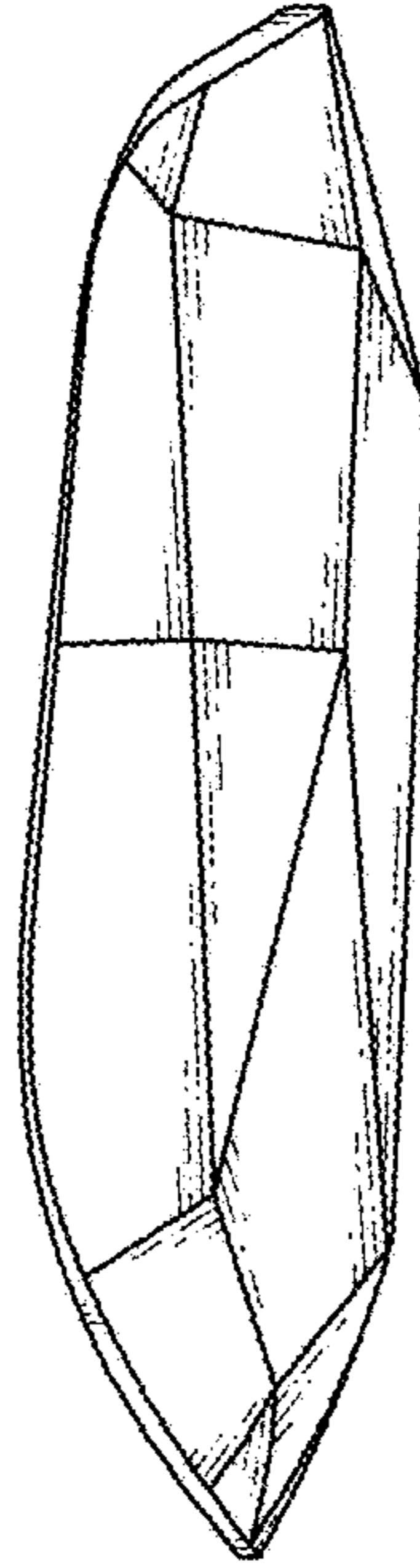


Fig. 5

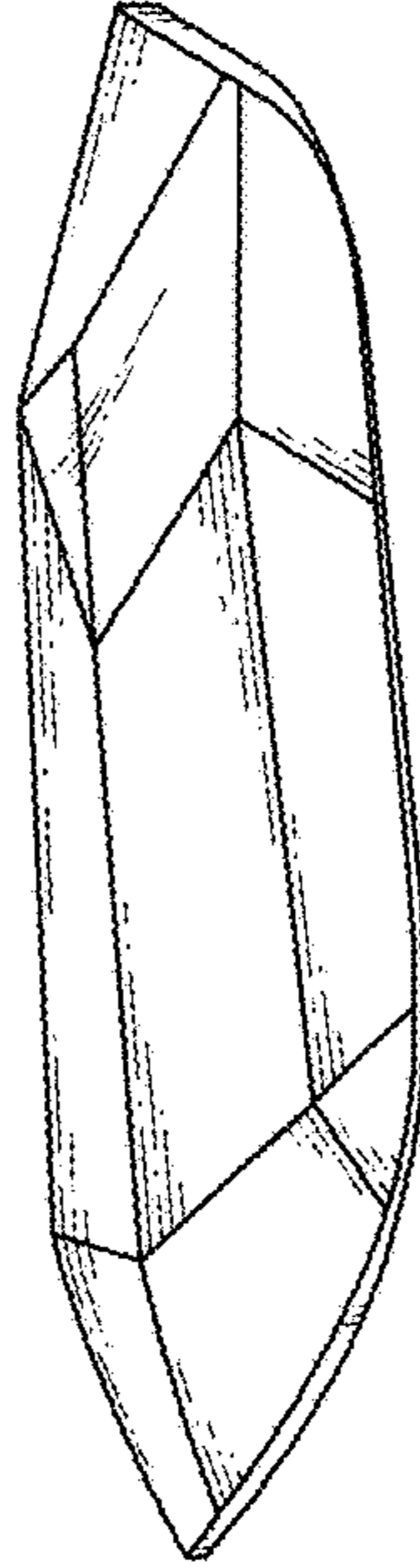


Fig. 6

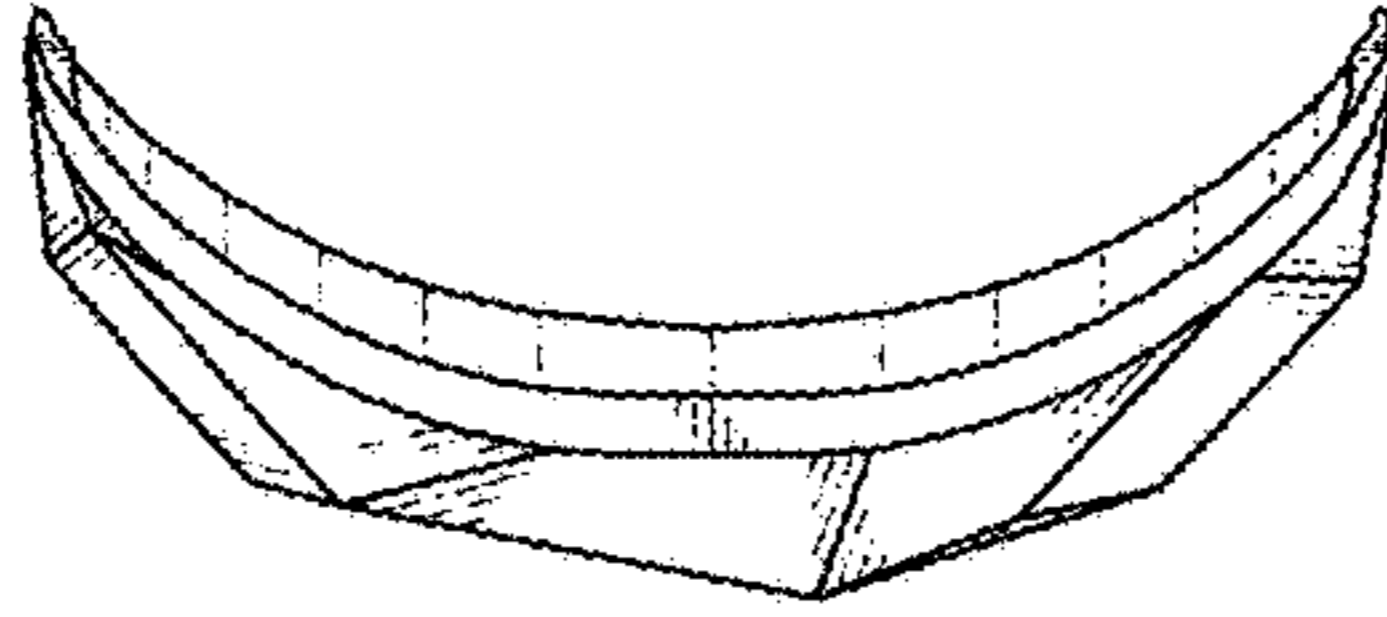


Fig. 7

