



US00D862795S

(12) **United States Design Patent** (10) **Patent No.:** **US D862,795 S**
Caldas (45) **Date of Patent:** **** Oct. 8, 2019**

(54) **CARTRIDGE TUBE**

FOREIGN PATENT DOCUMENTS

(71) Applicant: **Lerman Container Corporation,**
Jupiter, FL (US)

CN 104382237 3/2015
CN 204191593 3/2015

(72) Inventor: **Daniel Caldas,** Jupiter, FL (US)

OTHER PUBLICATIONS

(73) Assignee: **Lerman Container Corporation,**
Jupiter, FL (US)

MarijuanaPackaging.com, Child resistant vape cartridge container clear 20mm, Dec. 17, 2016, <https://marijuanapackaging.com/products/child-resistant-vape-cartridge-container-clear-20mm-1>.

(**) Term: **15 Years**

(Continued)

(21) Appl. No.: **29/677,610**

Primary Examiner — Marissa J Cash

(22) Filed: **Jan. 22, 2019**

(74) *Attorney, Agent, or Firm* — Gottlieb, Rackman & Reisman, PC

(51) **LOC (12) Cl.** **27-06**

(57) **CLAIM**

(52) **U.S. Cl.**

The ornamental design for a cartridge tube, as shown and described.

USPC **D27/194**

DESCRIPTION

(58) **Field of Classification Search**

USPC D27/100, 101, 161, 162–194; D23/366;
D24/110; D19/101, 106, 115, 165, 195
CPC A24F 47/00; A24F 47/002; A24F 15/12
See application file for complete search history.

FIG. 1 is a first perspective view of a second embodiment of a cartridge tube showing my new design;
FIG. 2 is a second perspective view of the cartridge tube of FIG. 1;
FIG. 3 is a first side elevation view of the cartridge tube of FIG. 1;
FIG. 4 is a second side elevation view of the cartridge tube of FIG. 1;
FIG. 5 is a third side elevation view of the cartridge tube of FIG. 1;
FIG. 6 is a fourth side elevation view of the cartridge tube of FIG. 1;
FIG. 7 is a top plan view of the cartridge tube of FIG. 1;
FIG. 8 is a bottom plan view of the cartridge tube of FIG. 1; and,
FIG. 9 is a cross-sectional view of the cartridge tube of FIG. 1.

(56) **References Cited**

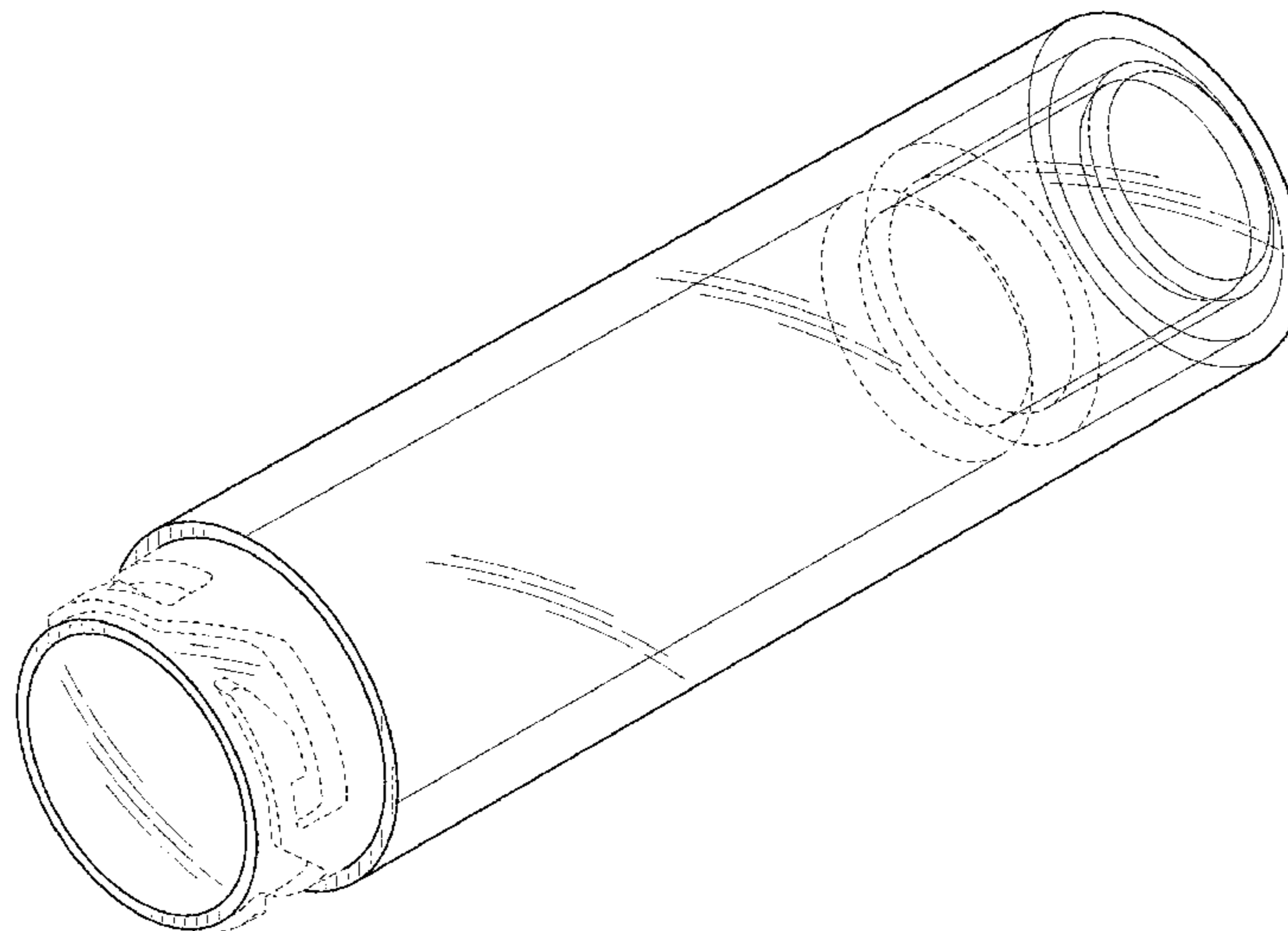
U.S. PATENT DOCUMENTS

D142,842 S * 11/1945 Daze D27/170
D167,230 S * 7/1952 Rehfeld D27/163
D223,879 S * 6/1972 Chernack D27/194
D224,760 S * 9/1972 Chernack D27/170
D254,316 S 2/1980 Anderka
D547,822 S 7/2007 Kennedy et al.
D547,825 S 7/2007 Kennedy et al.
7,481,928 B2 1/2009 Fritze
D590,991 S * 4/2009 Hon D27/101
D655,036 S * 2/2012 Zhou D27/101
D666,355 S * 8/2012 Alelov D27/101
D683,897 S * 6/2013 Liu D27/170
D684,311 S * 6/2013 Liu D27/101
D720,499 S * 12/2014 Alima D27/167

(Continued)

The broken lines shown in the drawings are included for the purpose of illustrating portions of the cartridge tube that form no part of the claimed design.

1 Claim, 6 Drawing Sheets



(56)

References Cited

U.S. PATENT DOCUMENTS

D722,956 S * 2/2015 Alima D13/103
 D739,598 S * 9/2015 Lavanchy D27/100
 D750,834 S * 3/2016 Wei D27/101
 D752,278 S * 3/2016 Verleur D13/103
 D753,873 S * 4/2016 Schuessler D27/101
 D756,031 S * 5/2016 Wu D27/101
 D762,812 S 8/2016 Branscomb et al.
 D764,702 S * 8/2016 Di Bari D27/101
 D770,087 S * 10/2016 Di Bari D27/101
 D778,492 S * 2/2017 Liu D27/101
 D779,722 S * 2/2017 Volodarsky D27/162
 D787,114 S * 5/2017 Scott D27/194
 D792,021 S * 7/2017 Beer D27/101
 9,700,691 B2 7/2017 Watanabe et al.
 D797,369 S * 9/2017 Yamada D27/101
 D803,475 S * 11/2017 Scheiber D27/101
 D805,248 S * 12/2017 Chen D27/170
 D806,942 S * 1/2018 Qiu D27/101
 D808,580 S * 1/2018 Kwitel D27/101
 D812,807 S * 3/2018 Thuery D27/101
 D813,445 S * 3/2018 Scott D27/101
 D814,102 S * 3/2018 Lehoux D27/101
 D815,342 S 4/2018 Sutton
 D816,266 S * 4/2018 Thuery D27/101
 D821,028 S * 6/2018 Tucker D27/101
 D825,835 S * 8/2018 Verleur D27/101
 D825,838 S * 8/2018 Abroff D27/101
 D832,503 S * 10/2018 Blanding D27/163
 D834,743 S * 11/2018 Tucker D27/101
 D836,833 S * 12/2018 Simon D27/189

D843,648 S * 3/2019 Santos D27/162
 D844,222 S * 3/2019 Yamada D27/101
 D850,595 S * 6/2019 Li D23/366
 2006/0261000 A1 11/2006 Bassett et al.
 2011/0290244 A1* 12/2011 Schennum A61M 15/06
 128/200.23
 2015/0342258 A1 12/2015 Chen
 2016/0073694 A1* 3/2016 Liu H05B 3/40
 131/329
 2016/0135502 A1* 5/2016 Wang A24F 47/008
 131/329
 2016/0150821 A1* 6/2016 Liu A24F 47/002
 131/329
 2016/0183596 A1* 6/2016 Rado A24F 47/008
 392/395
 2016/0302487 A1 10/2016 Chen
 2017/0202266 A1* 7/2017 Sur A24F 47/008
 2017/0294804 A1* 10/2017 Sur H02S 40/38
 2017/0295845 A1* 10/2017 Bajpai A24F 47/008
 2018/0169355 A1* 6/2018 Reevell A61M 15/0036
 2018/0255835 A1* 9/2018 Crowe A24F 47/008
 2018/0271149 A1* 9/2018 Holtz A24F 47/008
 2019/0008207 A1* 1/2019 Crowe A24F 47/008
 2019/0090551 A1* 3/2019 Hon A24F 47/004

OTHER PUBLICATIONS

MarijuanaPackaging.com, Child resistant vape cartridge container
 16mm, Dec. 17, 2016, <https://marijuanapackaging.com/products/vape-container-16mm-cr-2-500-count>.

* cited by examiner

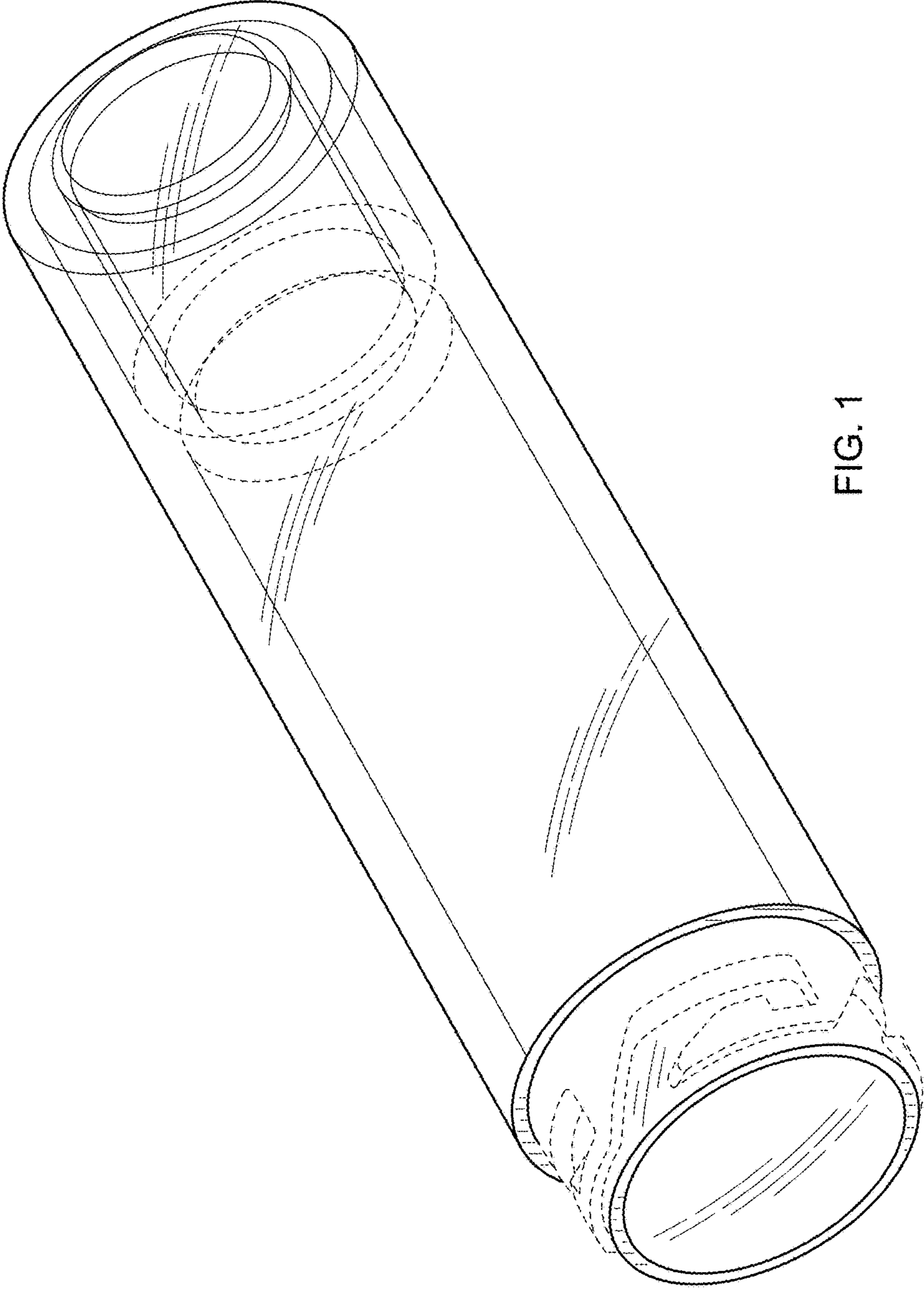


FIG. 1

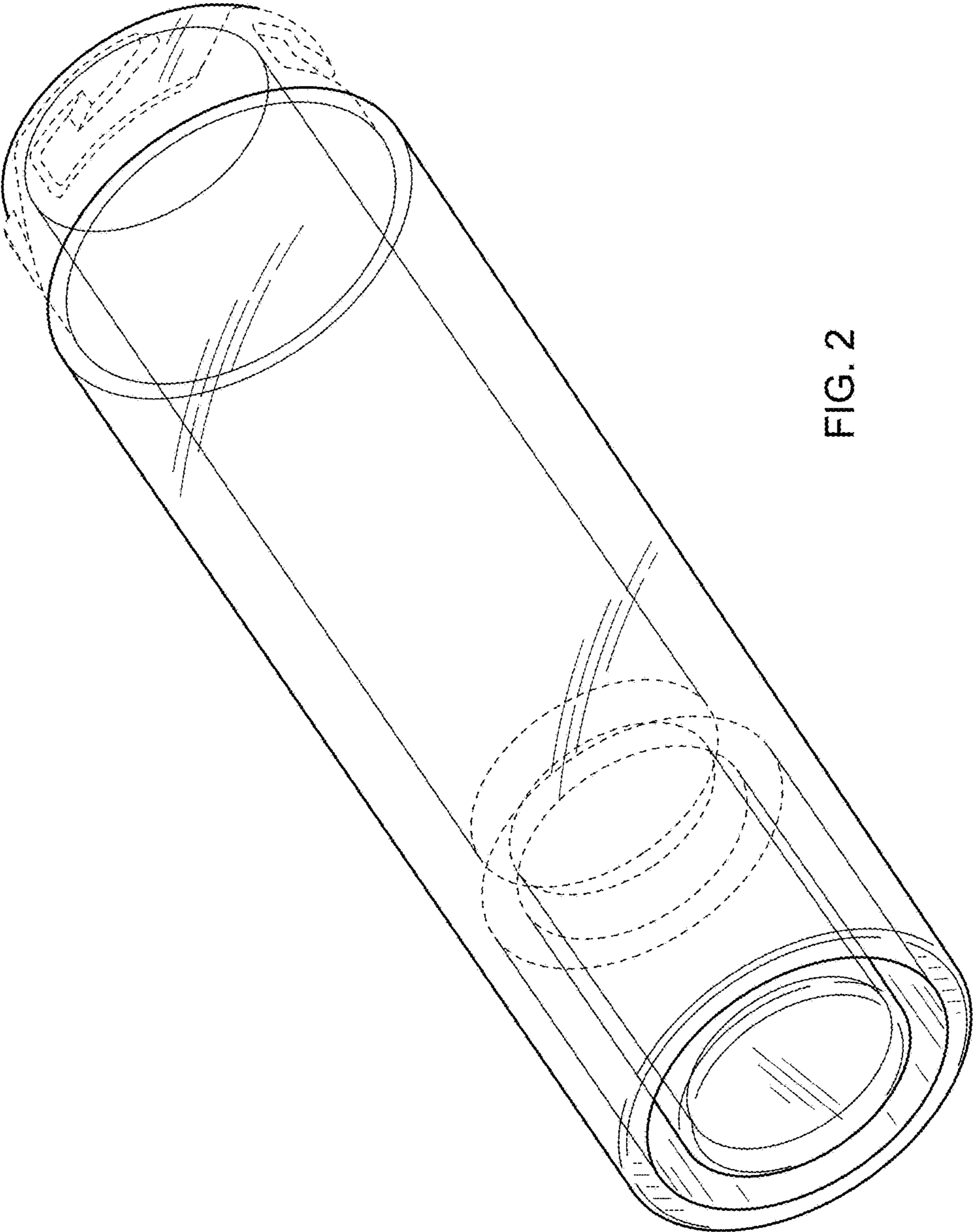


FIG. 2

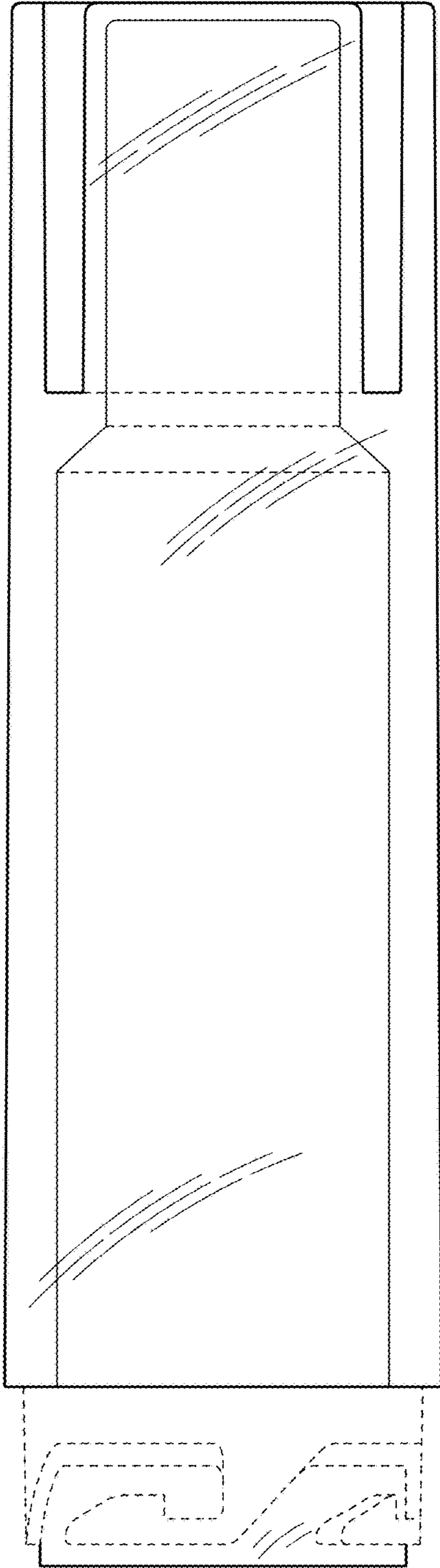


FIG. 3

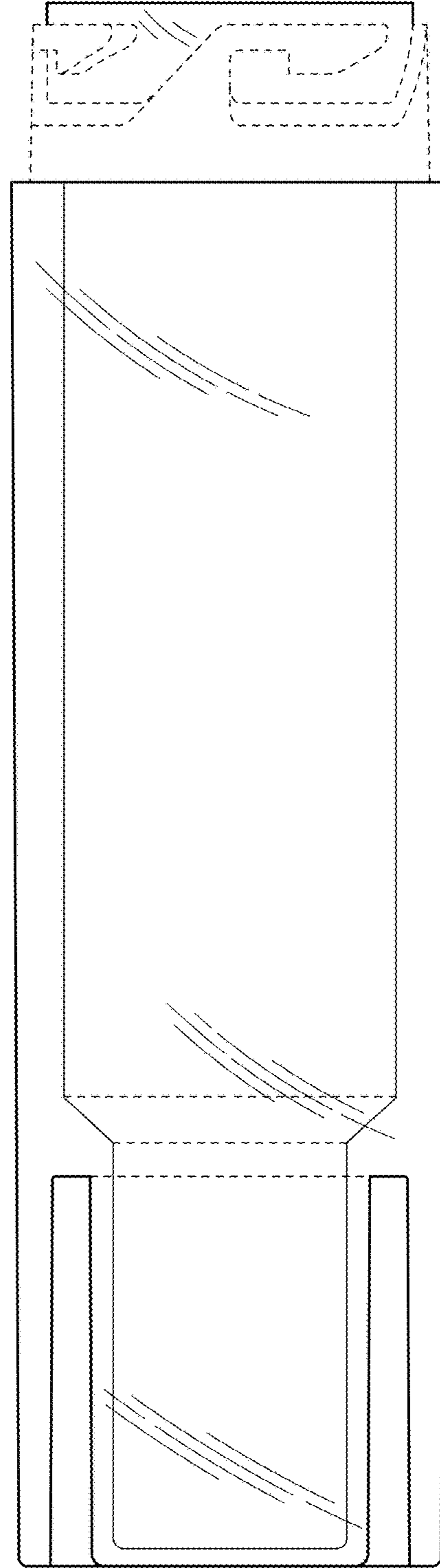


FIG. 4

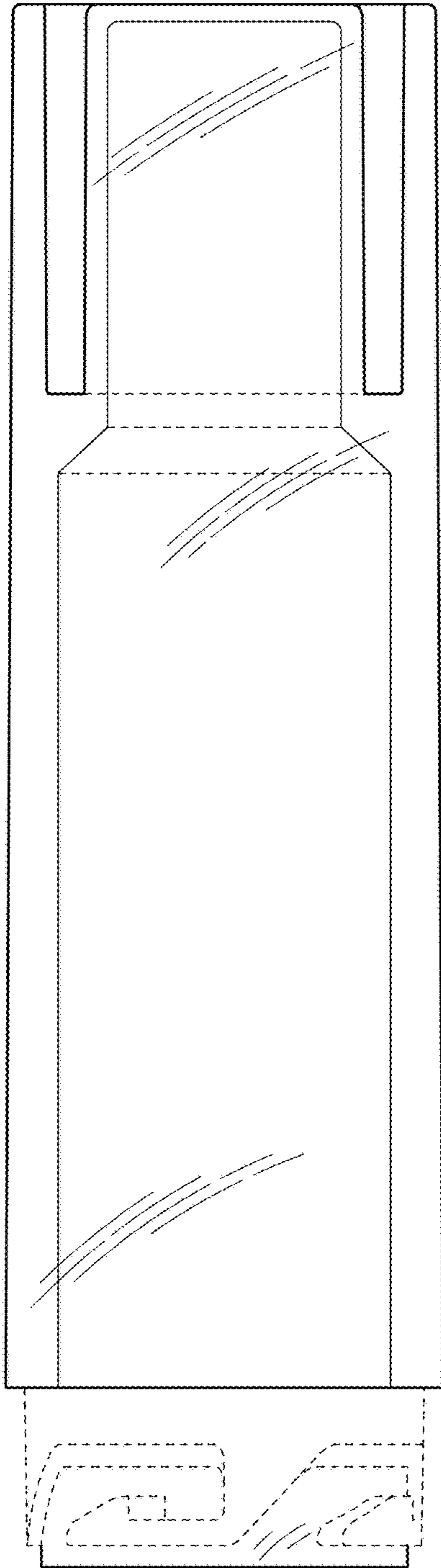


FIG. 5

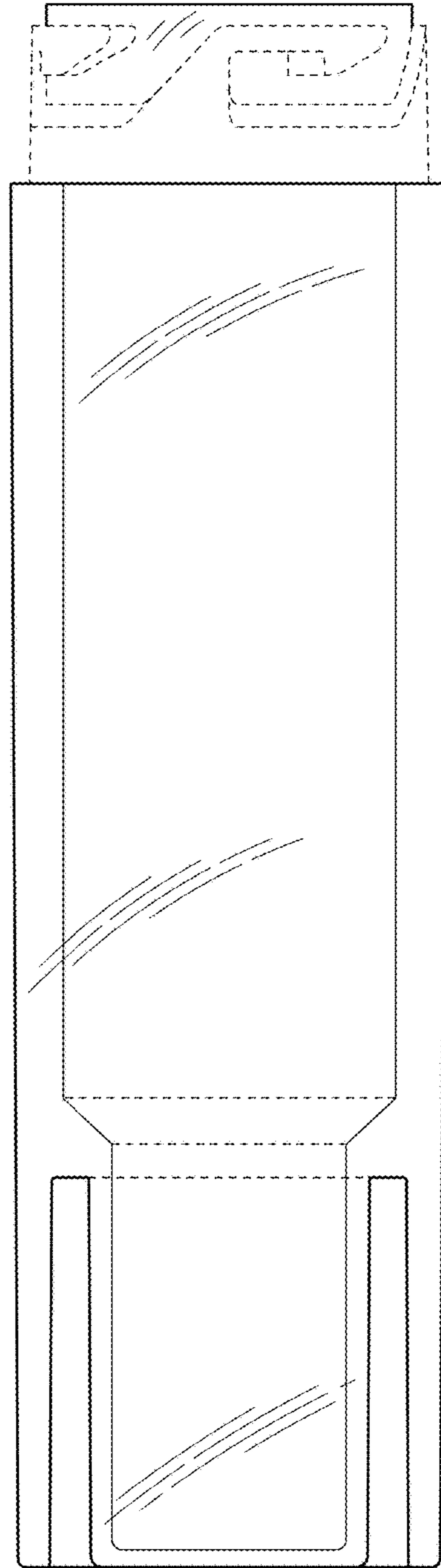


FIG. 6

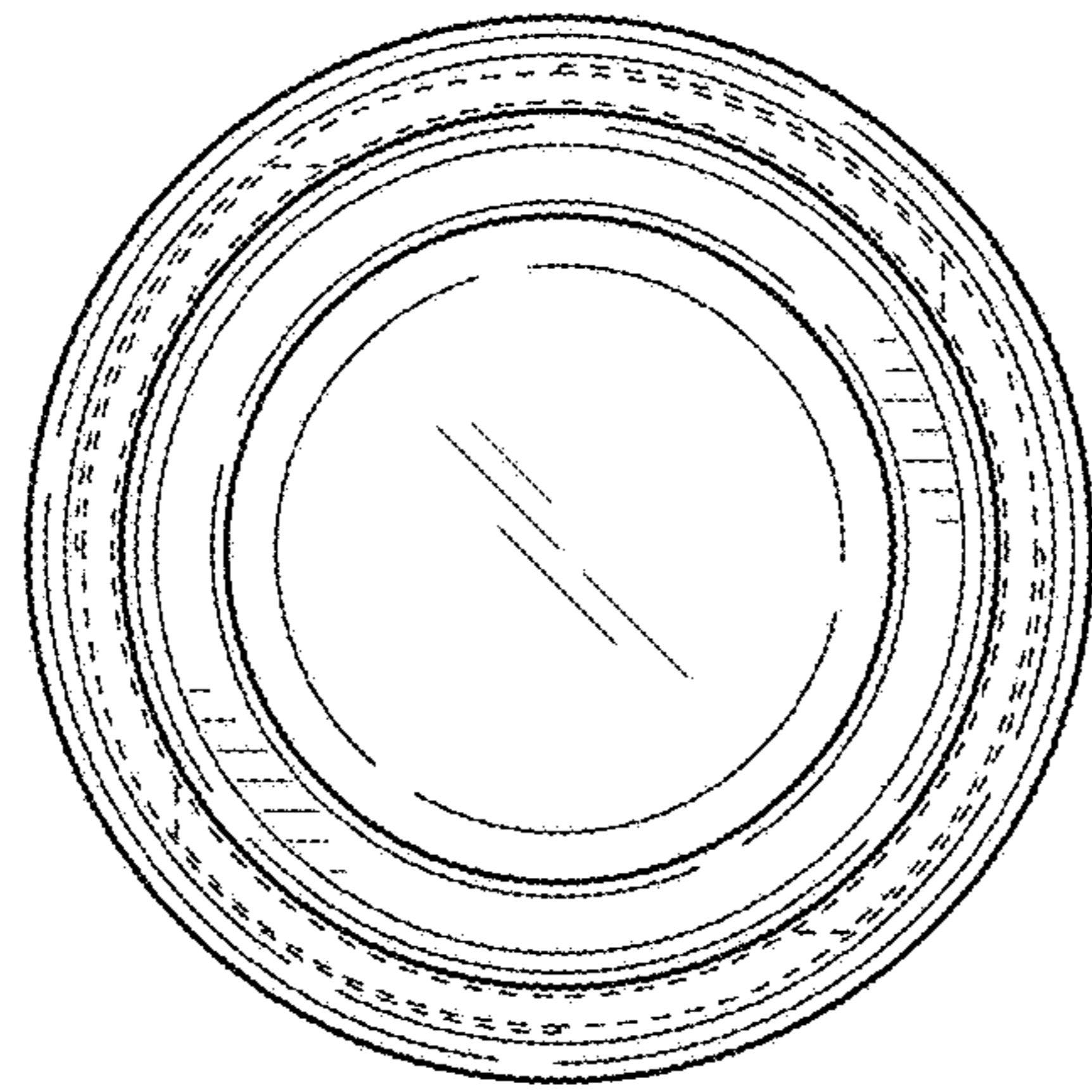


FIG. 8

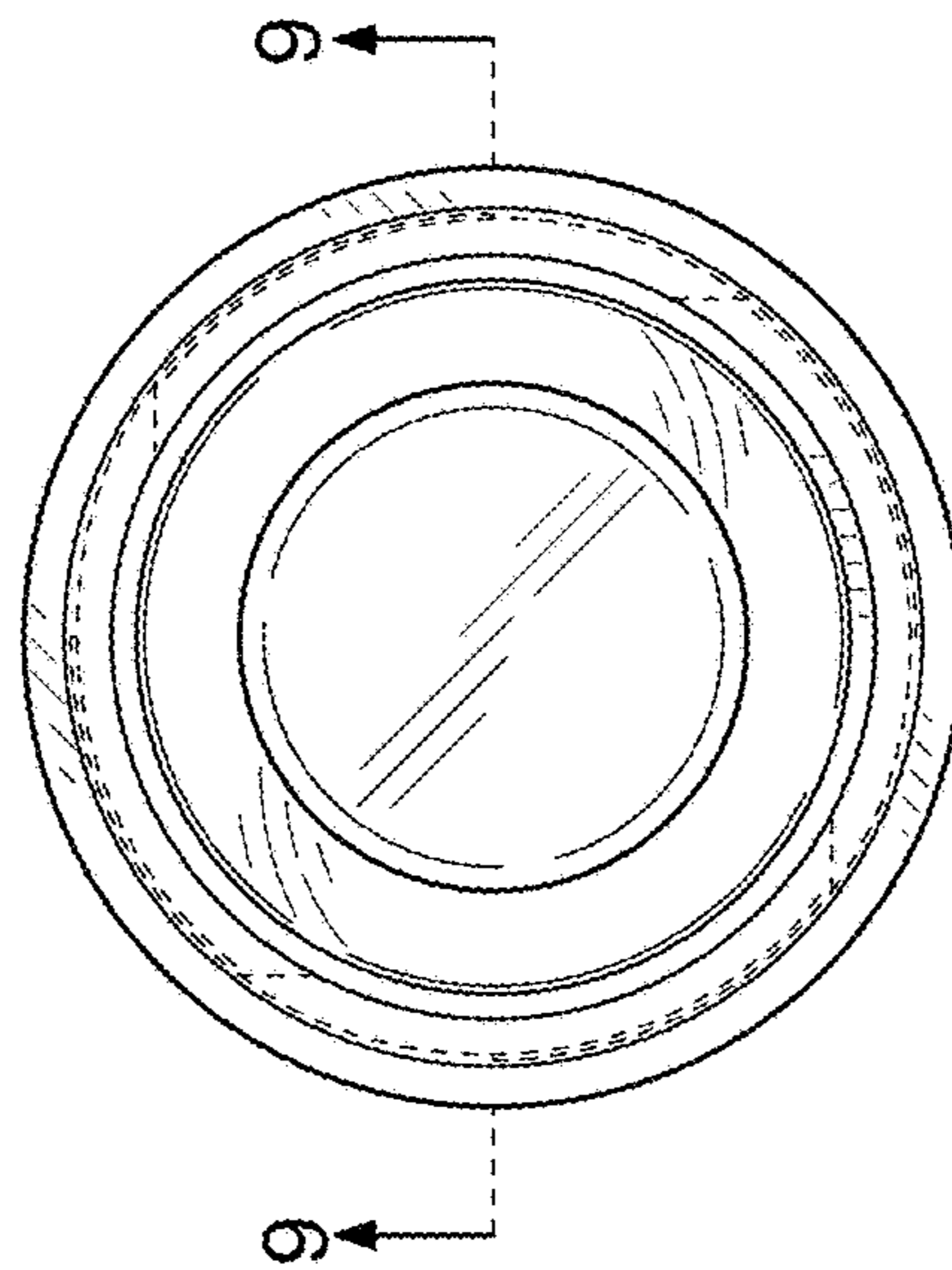


FIG. 7

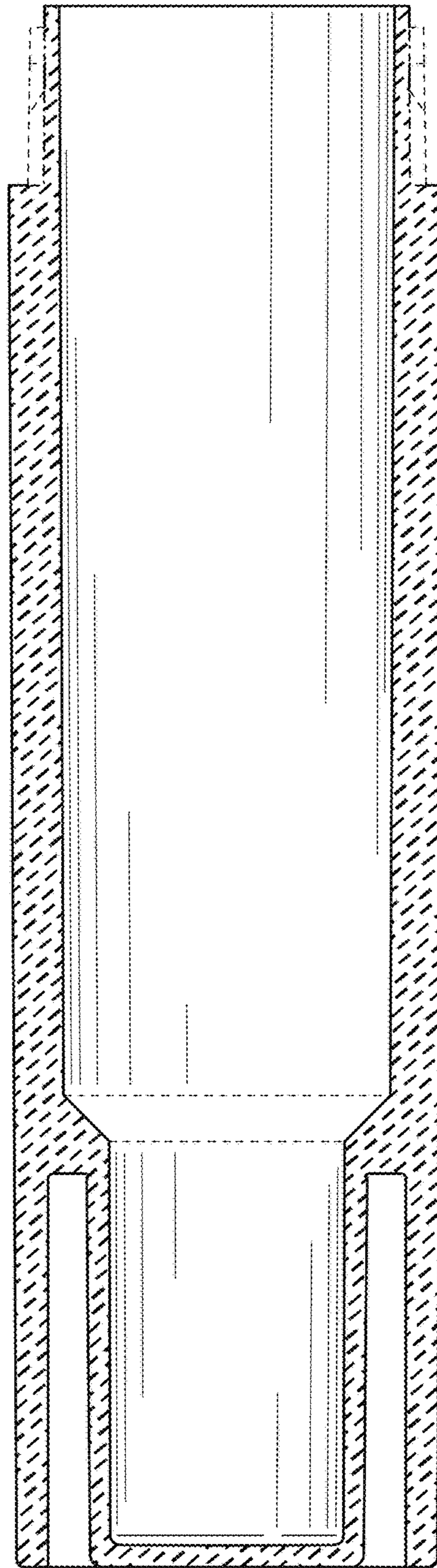


FIG. 9