



US00D862794S

(12) **United States Design Patent** (10) **Patent No.:** **US D862,794 S**
Wolk (45) **Date of Patent:** **** Oct. 8, 2019**

- (54) **COMBINED HOLDER FOR TOBACCO OR SMOKING PRODUCT AND LIGHTER SLEEVE**
- (71) Applicant: **PACLITE, LLC**, Palm Beach Gardens, FL (US)
- (72) Inventor: **Dean Wolk**, Palm Beach Gardens, FL (US)
- (73) Assignee: **PACLITE, LLC**, Palm Beach Gardens, FL (US)
- (**) Term: **15 Years**

- (21) Appl. No.: **29/632,147**
- (22) Filed: **Jan. 5, 2018**
- (51) **LOC (12) Cl.** **27-06**
- (52) **U.S. Cl.**
USPC **D27/187**
- (58) **Field of Classification Search**
USPC D27/100, 101, 102-105, 114, 137, 139, D27/141-144, 152, 153, 154, 155, 160, D27/161, 162-196, 136, 128; D23/366, D23/209; D7/416; D24/110; D8/371, D8/380, 499; D32/25; D15/199; D9/626, 349, 432; D11/143, 146
CPC A24F 47/002; A24F 47/00; A24F 3/02; A24C 5/44; A24C 5/425
See application file for complete search history.

- (56) **References Cited**
U.S. PATENT DOCUMENTS
D11,877 S * 7/1880 Kurczyn D27/183
D26,579 S * 2/1897 Lehman D27/183
D27,375 S * 7/1897 Girard D27/183
D118,735 S * 1/1940 Feigel 131/258
D133,226 S * 7/1942 Wilson 131/258
D155,536 S * 10/1949 Pickering et al. 131/259
D155,790 S * 11/1949 Epstein 248/175

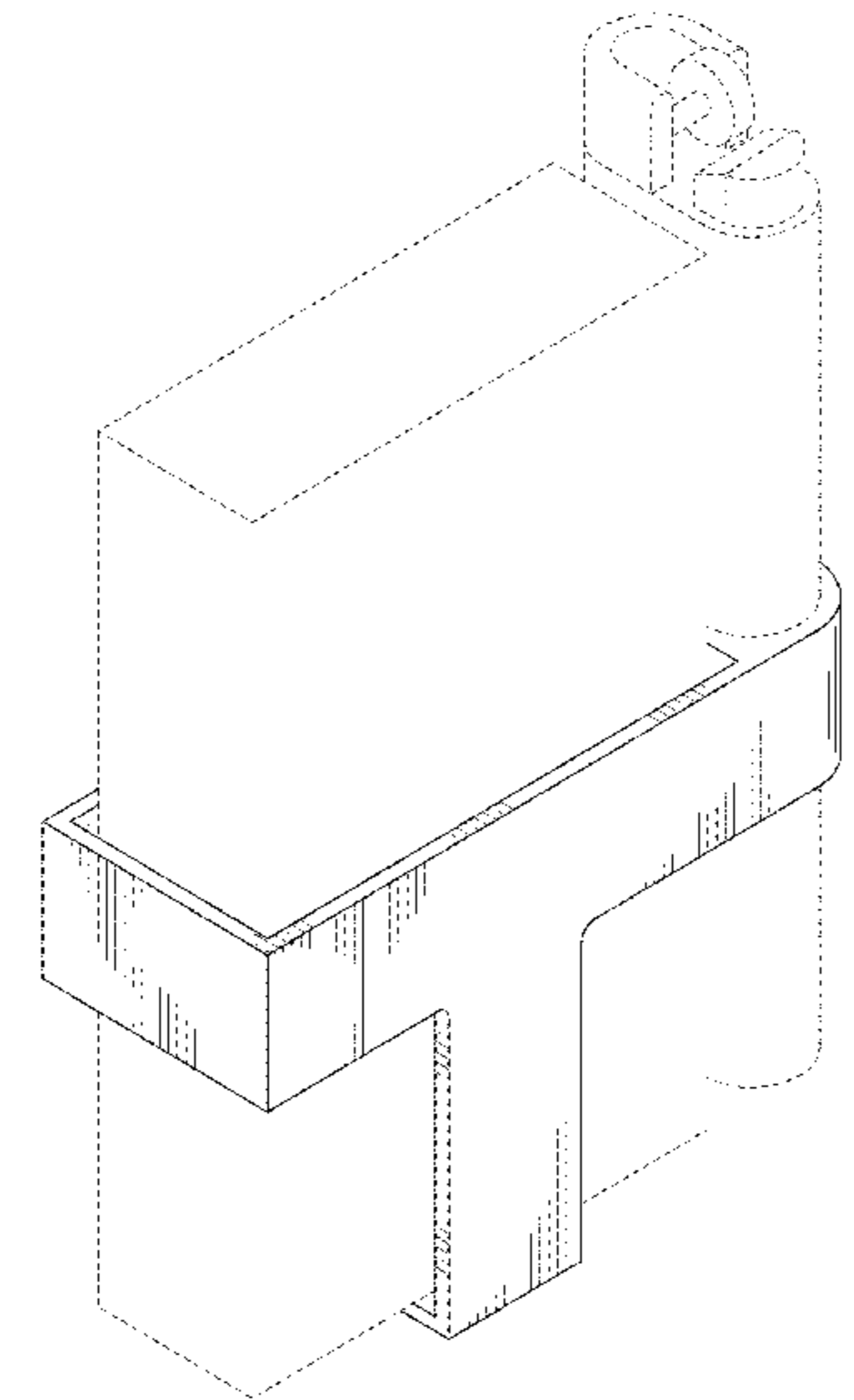
- D156,593 S * 12/1949 Angerer 131/258
 - D175,663 S * 9/1955 Anselmi D27/196
 - D179,489 S * 1/1957 Mucho 131/187
 - D197,163 S * 12/1963 Seehase D11/2
 - D385,059 S * 10/1997 Jenkins D27/183
 - D400,298 S * 10/1998 Vignerot D27/183
 - D419,129 S * 1/2000 Kilderry D12/411
 - D485,393 S * 1/2004 Cervantes D27/183
 - D550,898 S * 9/2007 Burkholder D27/183
 - D559,531 S * 1/2008 Koppe D27/186
 - D575,449 S * 8/2008 Williamson D27/183
 - D586,953 S * 2/2009 Riggio D27/125
- (Continued)

Primary Examiner — Marissa J Cash
(74) Attorney, Agent, or Firm — McHale & Slavin, P.A.

(57) **CLAIM**
The ornamental design for a combined holder for tobacco or smoking product and lighter sleeve, as shown and described.

DESCRIPTION
FIG. 1 is a left perspective view of the combined holder for tobacco or smoking product and lighter sleeve of the present invention;
FIG. 2 is a right perspective view thereof;
FIG. 3 is a left side view thereof;
FIG. 4 is a right side view thereof;
FIG. 5 is a top view thereof;
FIG. 6 is a bottom view thereof;
FIG. 7 is a front view thereof;
FIG. 8 is a back view thereof; and,
FIG. 9 is an environmental view of the combined holder for tobacco or smoking product and lighter sleeve shown with a cigarette pack and lighter secured thereto.
The broken lines in FIGS. 1, 2, 5 & 6 represent portions of the combined holder for tobacco or smoking product and lighter sleeve that form no part of the claim; the broken lines shown in FIG. 9 represent environmental subject matter that form no part thereof.

1 Claim, 9 Drawing Sheets



(56)

References Cited

U.S. PATENT DOCUMENTS

D609,397	S *	2/2010	Fellows	D21/796
D617,495	S *	6/2010	LoRe	D27/172
D617,942	S *	6/2010	LoRe	D27/172
D618,392	S *	6/2010	LoRe	D27/172
D657,658	S *	4/2012	Jones	D8/354
D680,263	S *	4/2013	Braley	D27/181
D736,454	S *	8/2015	Audibert	D27/183
D752,806	S *	3/2016	Barton	D27/161
D754,394	S *	4/2016	Byron	D27/181
D779,724	S *	2/2017	Decker	D27/167
D792,797	S *	7/2017	Kirchick	D11/5
D794,246	S *	8/2017	Baxter	D27/183
D802,837	S *	11/2017	Thompson	D27/186
D805,249	S *	12/2017	Casalino	D27/183
D809,195	S *	1/2018	Baxter	D27/183
D812,291	S *	3/2018	Victor	D27/183
D813,449	S *	3/2018	Jourdan	D27/183
2005/0051183	A1 *	3/2005	Coulthard	A24F 13/18
					131/256
2011/0308048	A1 *	12/2011	Raccah	H01F 7/0263
					24/303
2014/0011144	A1 *	1/2014	Hancock	F23Q 2/50
					431/350
2017/0334605	A1 *	11/2017	Murphy	A24F 15/18

* cited by examiner

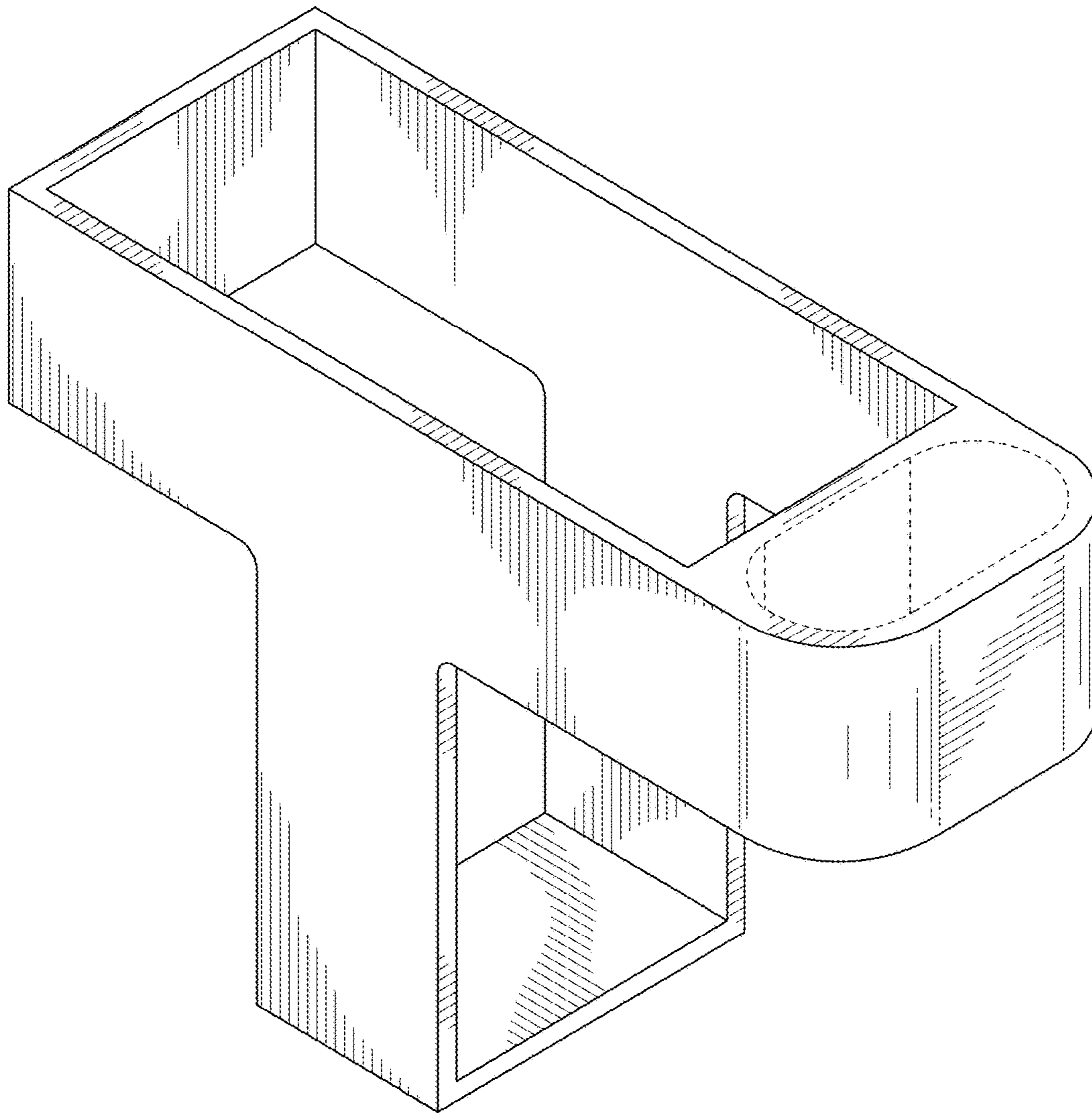


FIG. 1

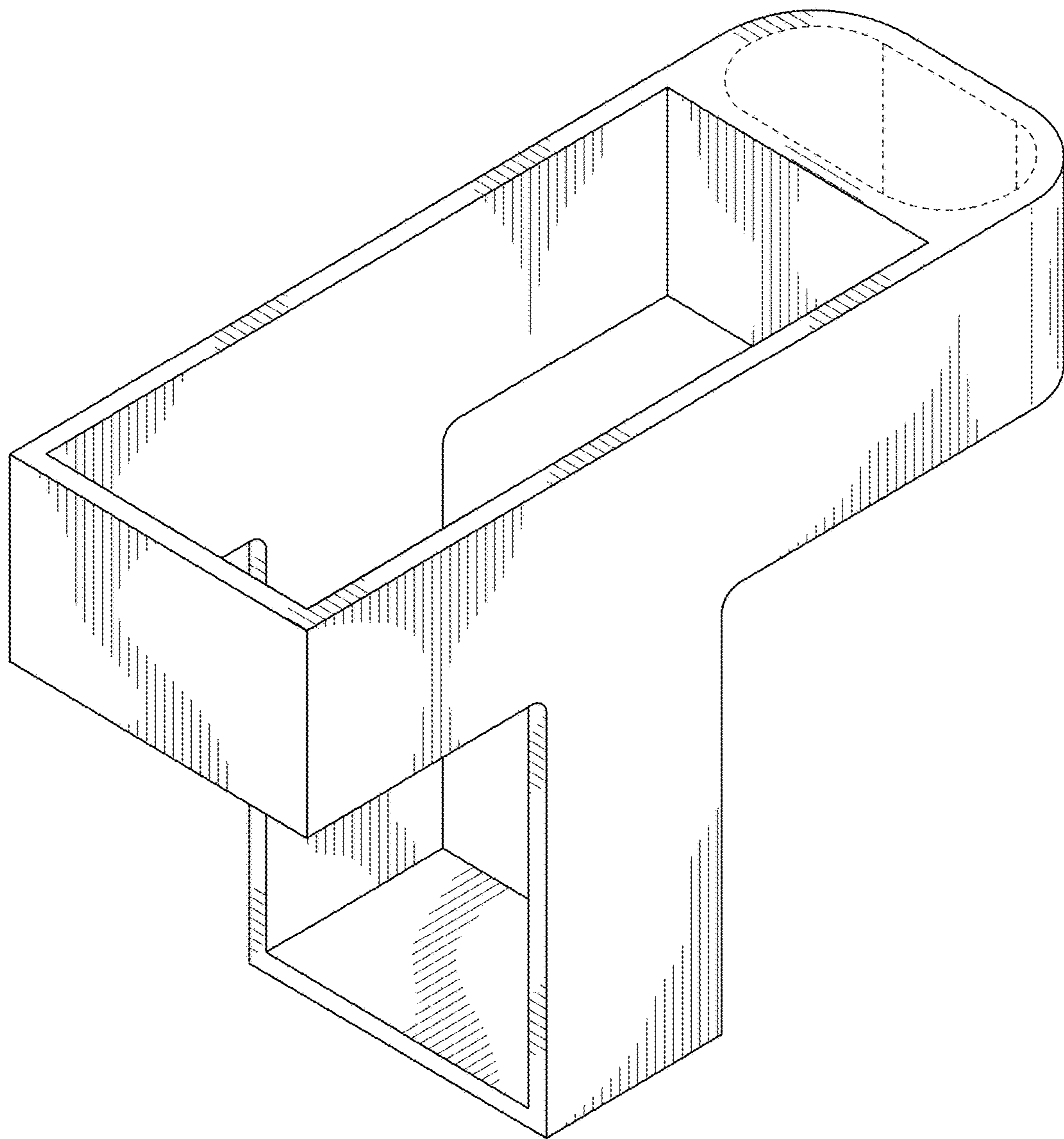


FIG. 2

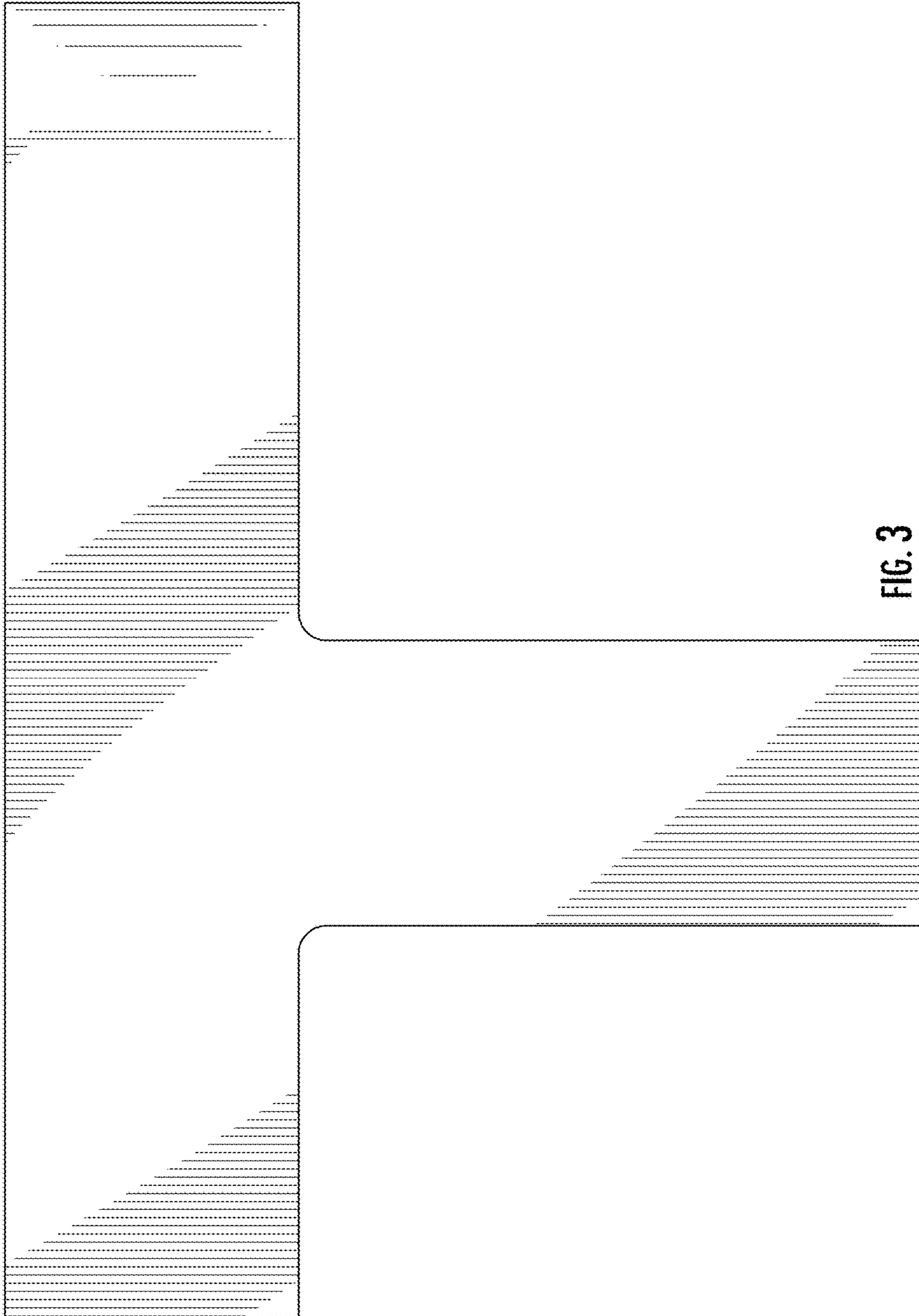


FIG. 3

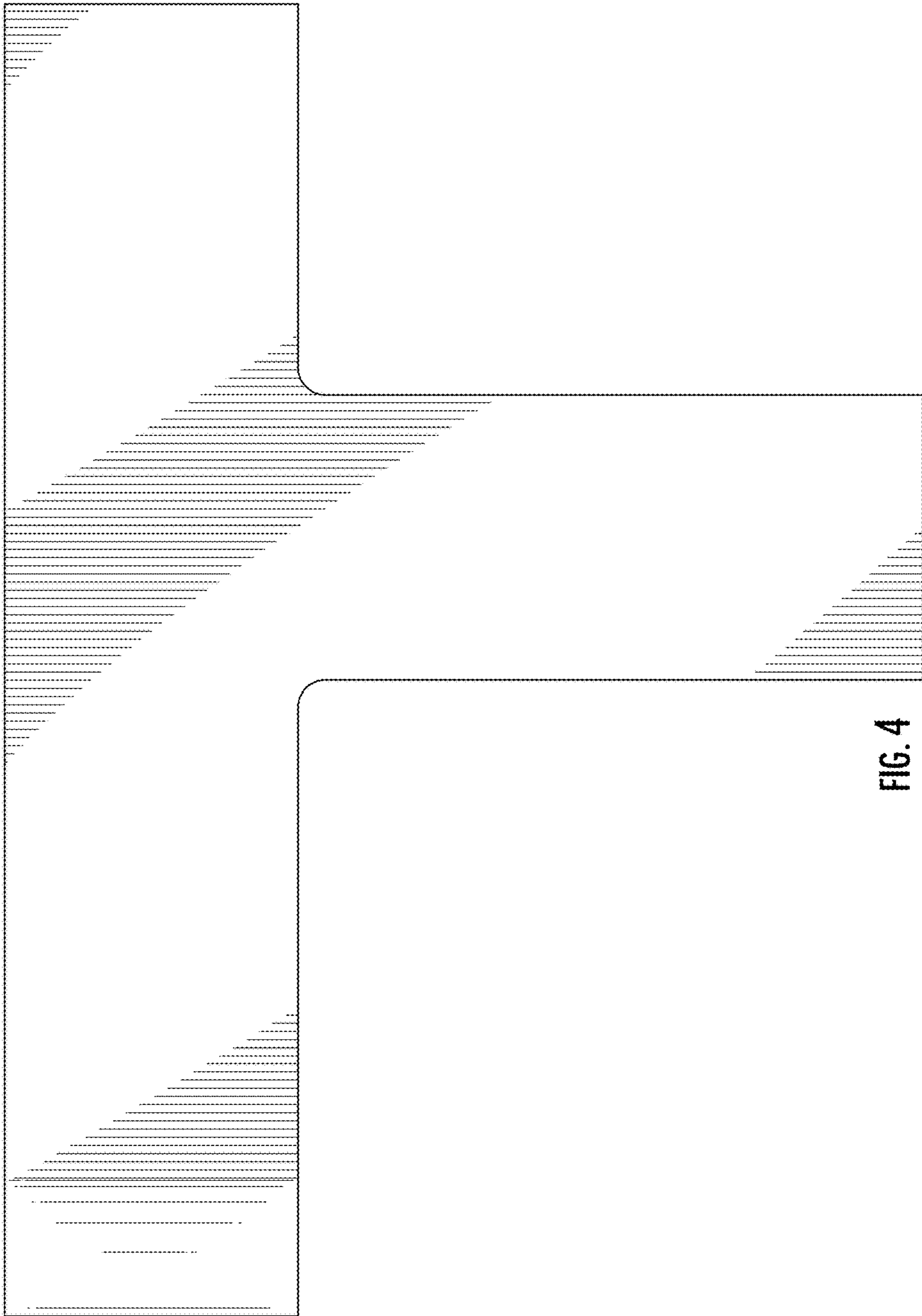


FIG. 4

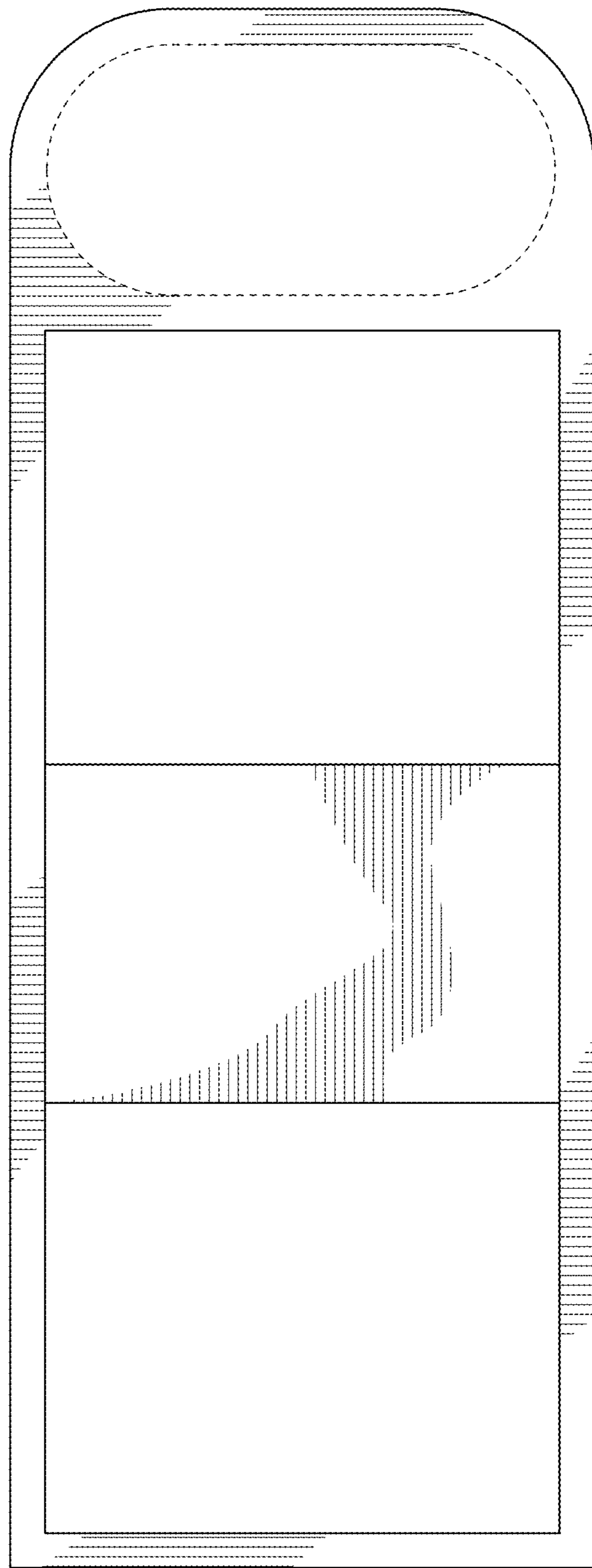


FIG. 5

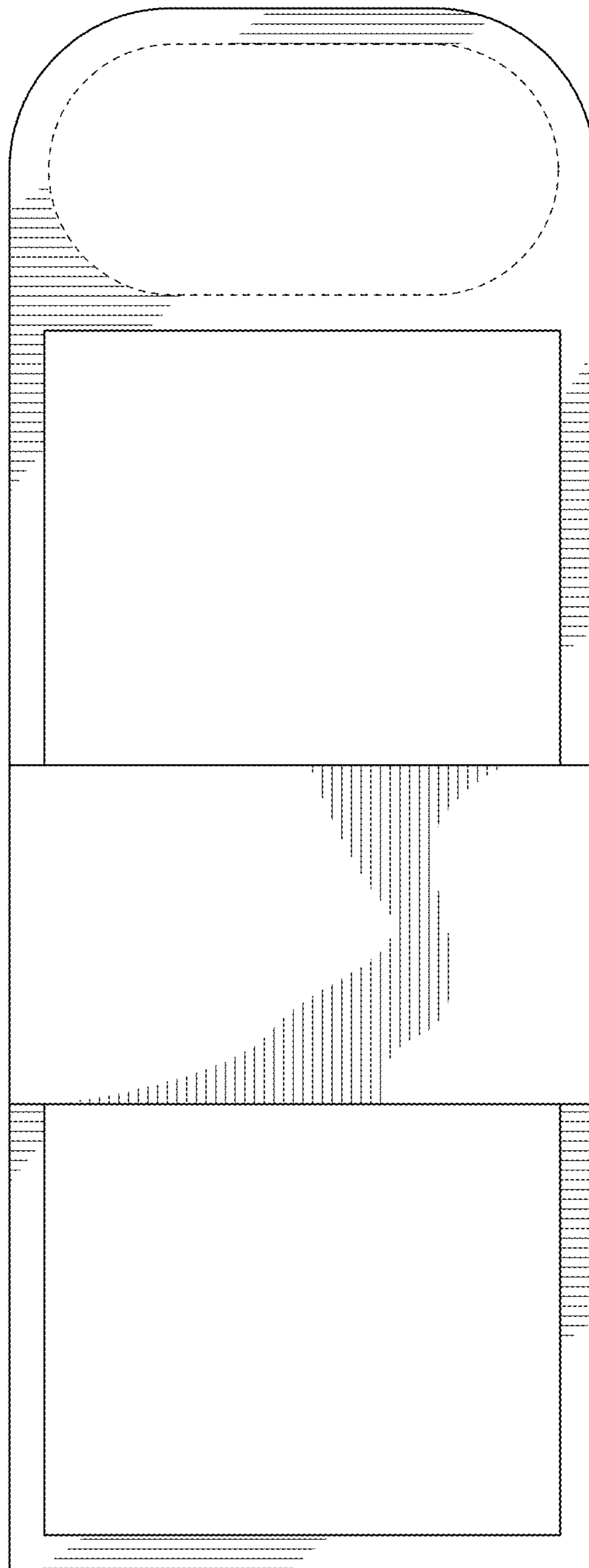


FIG. 6

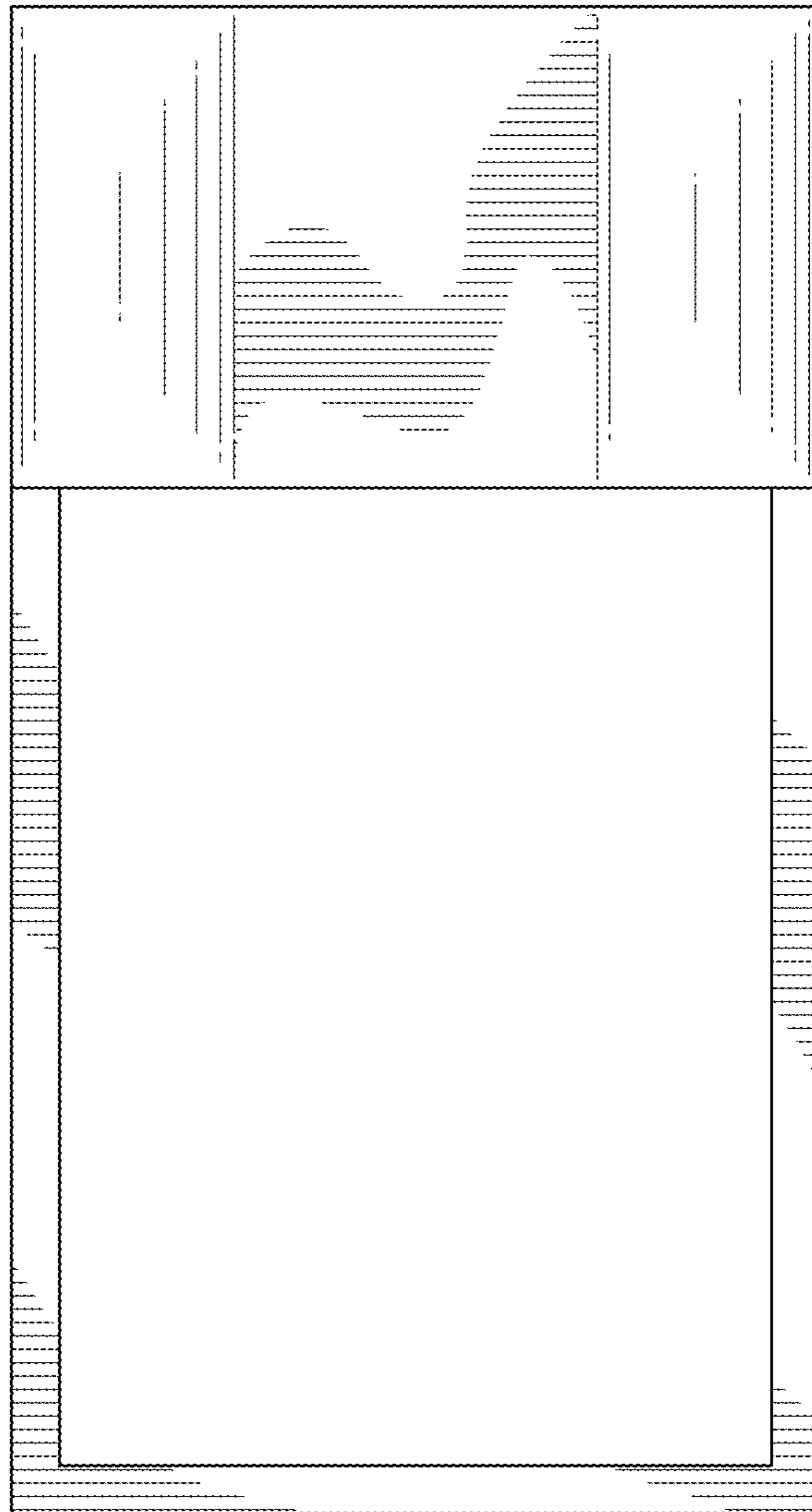


FIG. 7

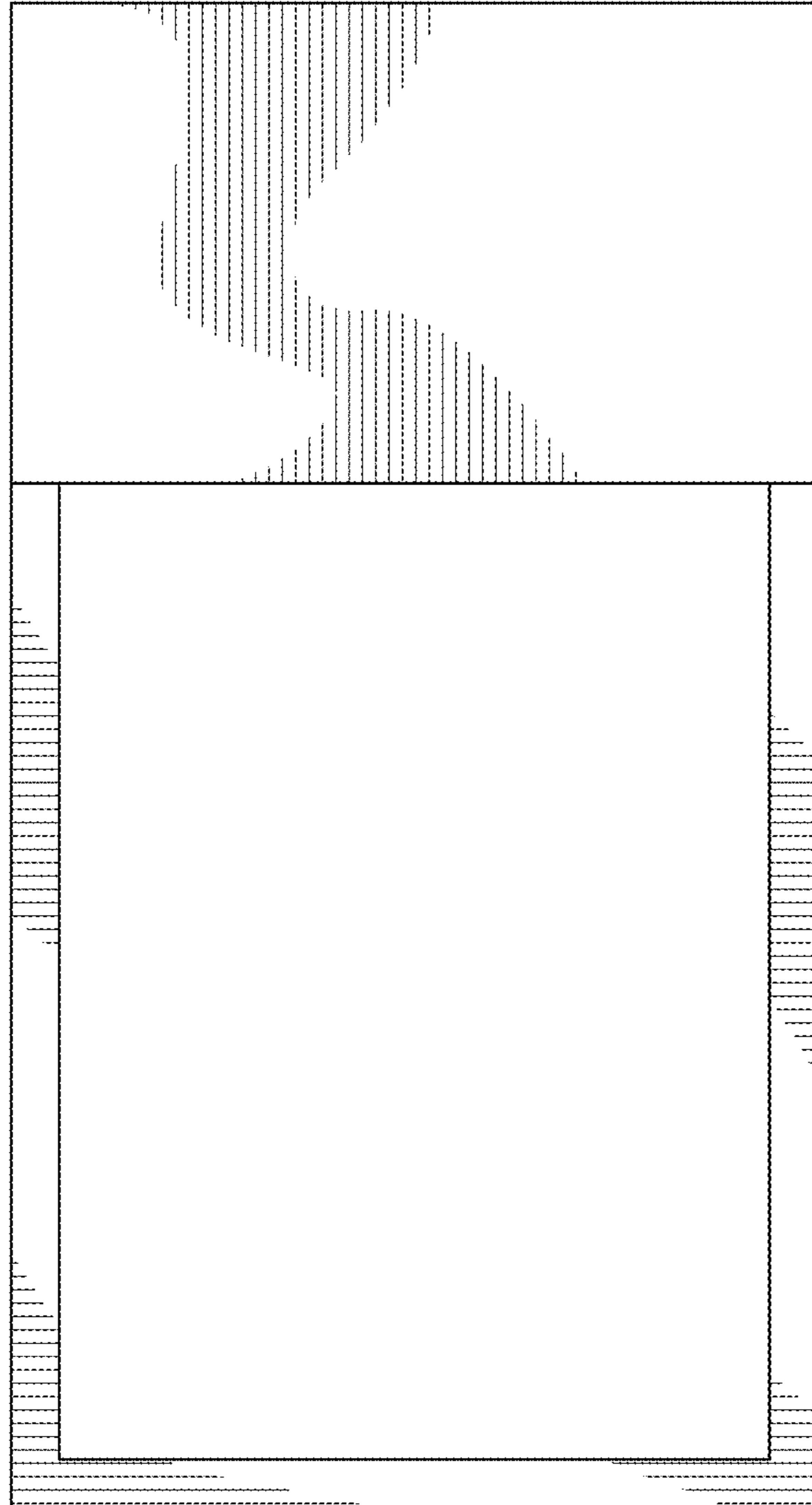


FIG. 8

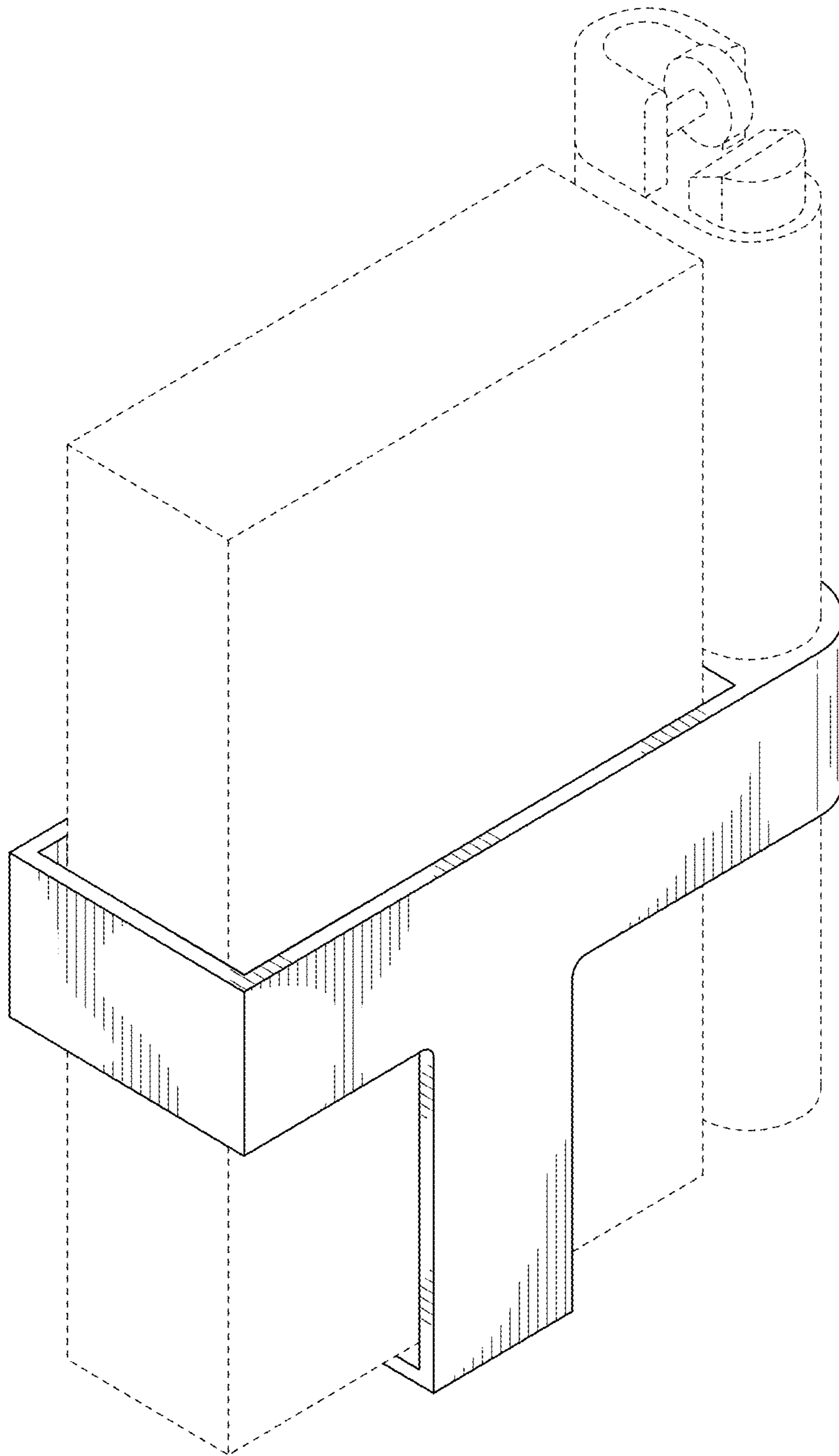


FIG. 9