



US00D862791S

(12) **United States Design Patent** (10) **Patent No.:** **US D862,791 S**
Sundar et al. (45) **Date of Patent:** **** Oct. 8, 2019**

(54) **WRAP FOR AN ELECTRONIC VAPING DEVICE**

(71) Applicant: **Altria Client Services LLC**,
Richmond, VA (US)

(72) Inventors: **Rangaraj Sundar**, Richmond, VA (US); **Scott A. Fath**, Richmond, VA (US); **William J. Bogdziewicz, III**, Richmond, VA (US); **Isaac Weigensberg**, Tekoa (IL); **Moshe Eliyahu**, Beit Shemesh (IL); **David Rubli**, Revava (IL); **Christopher S. Tucker**, Midlothian, VA (US); **Shumel Gavrielov**, Jerusalem (IL); **Yuval Malka**, Richmond, VA (US); **Arye Weigensberg**, Richmond, VA (US)

(73) Assignee: **Altria Client Services LLC**,
Richmond, VA (US)

(**) Term: **15 Years**

(21) Appl. No.: **29/572,899**

(22) Filed: **Aug. 1, 2016**

(51) **LOC (12) Cl.** **27-01**

(52) **U.S. Cl.**
USPC **D27/101**

(58) **Field of Classification Search**
USPC D27/101, 106, 108, 163, 165, 167, 169,
D27/172, 174, 175, 183, 186-190, 193,
(Continued)

(56) **References Cited**

U.S. PATENT DOCUMENTS

5,657,773 A * 8/1997 George A24C 5/40
131/260
6,289,898 B1 * 9/2001 Fournier A24D 1/02
131/360

(Continued)

Primary Examiner — Manpreet S Matharu
Assistant Examiner — Rebecca Tsehaye
(74) *Attorney, Agent, or Firm* — Harness, Dickey & Pierce, P.L.C.

(57) **CLAIM**

The ornamental design for a wrap for an electronic vaping device, as shown and described.

DESCRIPTION

FIG. 1 illustrates a perspective view of a first embodiment of a wrap for an electronic vaping device;
FIG. 2 illustrates a front view of the first embodiment of the wrap of FIG. 1, the rear view being a mirror image thereof;
FIG. 3 illustrates a top view of the first embodiment of the wrap of FIG. 1, the bottom view being a mirror image thereof;
FIG. 4 illustrates a right side view of the first embodiment of the wrap of FIG. 1, the left side view being a mirror image thereof;
FIG. 5 illustrates a perspective view of the first embodiment of the wrap of FIG. 1 shown in a wrapped configuration;
FIG. 6 illustrates a front view of the first embodiment of the wrap of FIG. 1 shown in a wrapped configuration;
FIG. 7 illustrates a rear view of the first embodiment of the wrap of FIG. 1 shown in a wrapped configuration;
FIG. 8 illustrates a right side view of the first embodiment of the wrap of FIG. 1 shown in a wrapped configuration; the left side being a mirror image thereof;
FIG. 9 illustrates a top view of the first embodiment of the wrap of FIG. 1 shown in a wrapped configuration;
FIG. 10 illustrates a bottom view of the first embodiment of the wrap of FIG. 1 shown in a wrapped configuration;
FIG. 11 illustrates a perspective view of a second embodiment of a wrap for an electronic vaping device;
FIG. 12 illustrates a front view of the second embodiment of the wrap of FIG. 11, the rear view being a mirror image thereof;
FIG. 13 illustrates a top view of the second embodiment of the wrap of FIG. 11; the bottom view being a mirror image thereof;
FIG. 14 illustrates a right side view of the second embodiment of the wrap of FIG. 11, the left side view being a mirror image thereof;

(Continued)

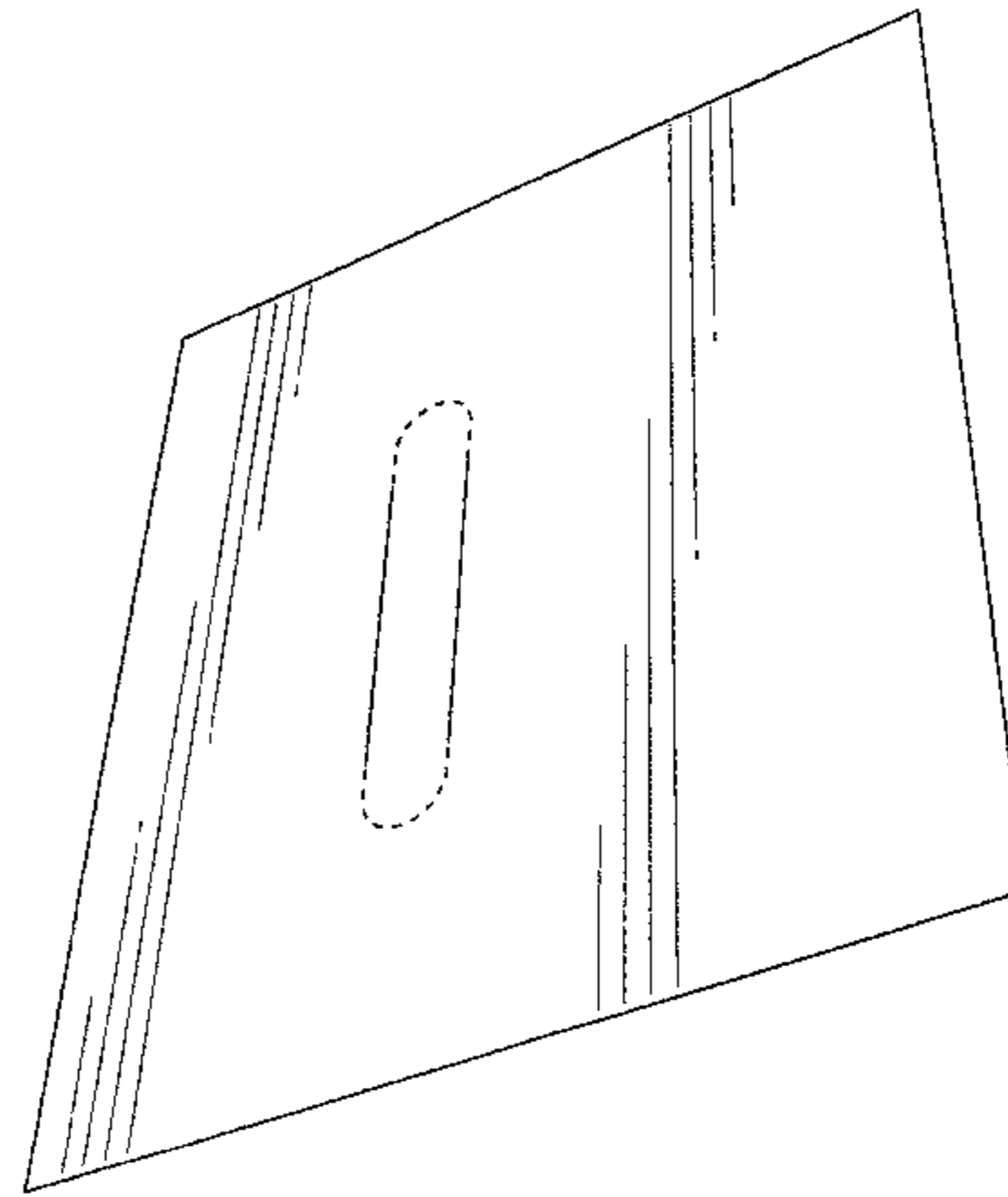
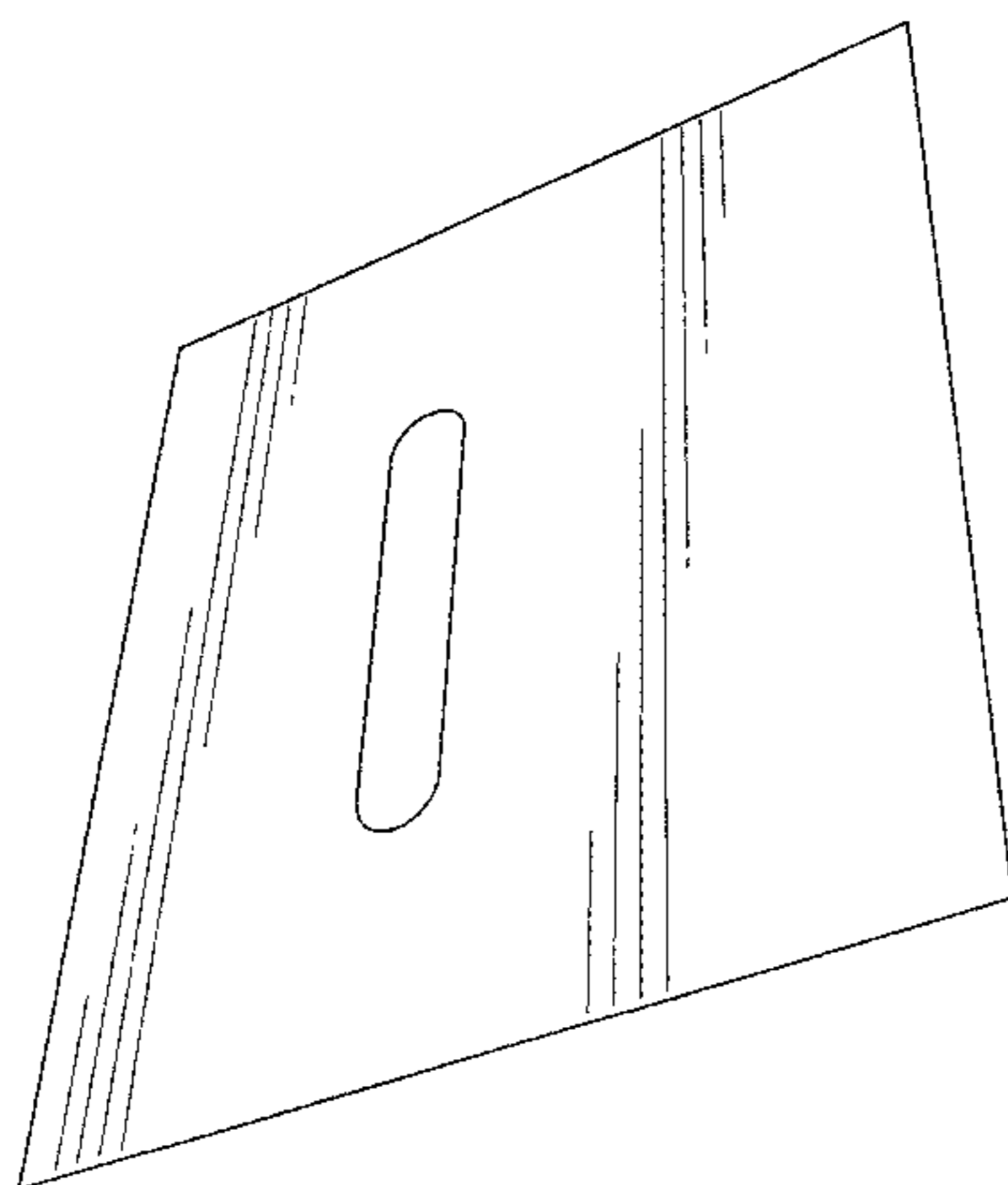


FIG. 15 illustrates a perspective view of the second embodiment of the wrap of FIG. 11 shown in a wrapped configuration;
 FIG. 16 illustrates a front view of the second embodiment of the wrap of FIG. 11 shown in a wrapped configuration;
 FIG. 17 illustrates a rear view of the second embodiment of the wrap of FIG. 11 shown in a wrapped configuration;
 FIG. 18 illustrates a right side view of the second embodiment of the wrap of FIG. 11 shown in a wrapped configuration; the left side being a mirror image thereof;
 FIG. 19 illustrates a top view of the second embodiment of the wrap of FIG. 11 shown in a wrapped configuration; and,
 FIG. 20 illustrates a bottom view of the second embodiment of the wrap of FIG. 11 shown in a wrapped configuration.
 Broken lines in the figures are for the purpose of illustrating environment of the design and portions of an electronic vaping device and form no part of the claimed design.

1 Claim, 16 Drawing Sheets

(58) **Field of Classification Search**

USPC D27/195; D24/110; 131/273, 274, 270,
 131/329, 330, 365, 360, 191

CPC A24F 9/00; A24F 47/002; A24F 47/004;
 A24F 47/006; A24F 47/008; A61M 15/06

See application file for complete search history.

(56)

References Cited

U.S. PATENT DOCUMENTS

D680,682	S	*	4/2013	Fallon	D27/101
8,807,140	B1	*	8/2014	Scatterday	A24F 47/002 131/270
8,869,803	B2	*	10/2014	Sinclair, Jr.	A24C 5/40 131/330
D745,388	S	*	12/2015	Taylor	D9/418
D782,108	S	*	3/2017	Jordan	D27/167
D789,599	S	*	6/2017	Kesselman	D27/189
D795,496	S	*	8/2017	Beer	D27/101
D803,476	S	*	11/2017	Reaux	D27/101
D807,891	S	*	1/2018	Yeo	D14/440
D821,028	S	*	6/2018	Tucker	D27/101
10,011,420	B2	*	7/2018	Fath	B65D 85/109
2016/0050971	A1	*	2/2016	Harrison	A24D 1/022 131/365

* cited by examiner

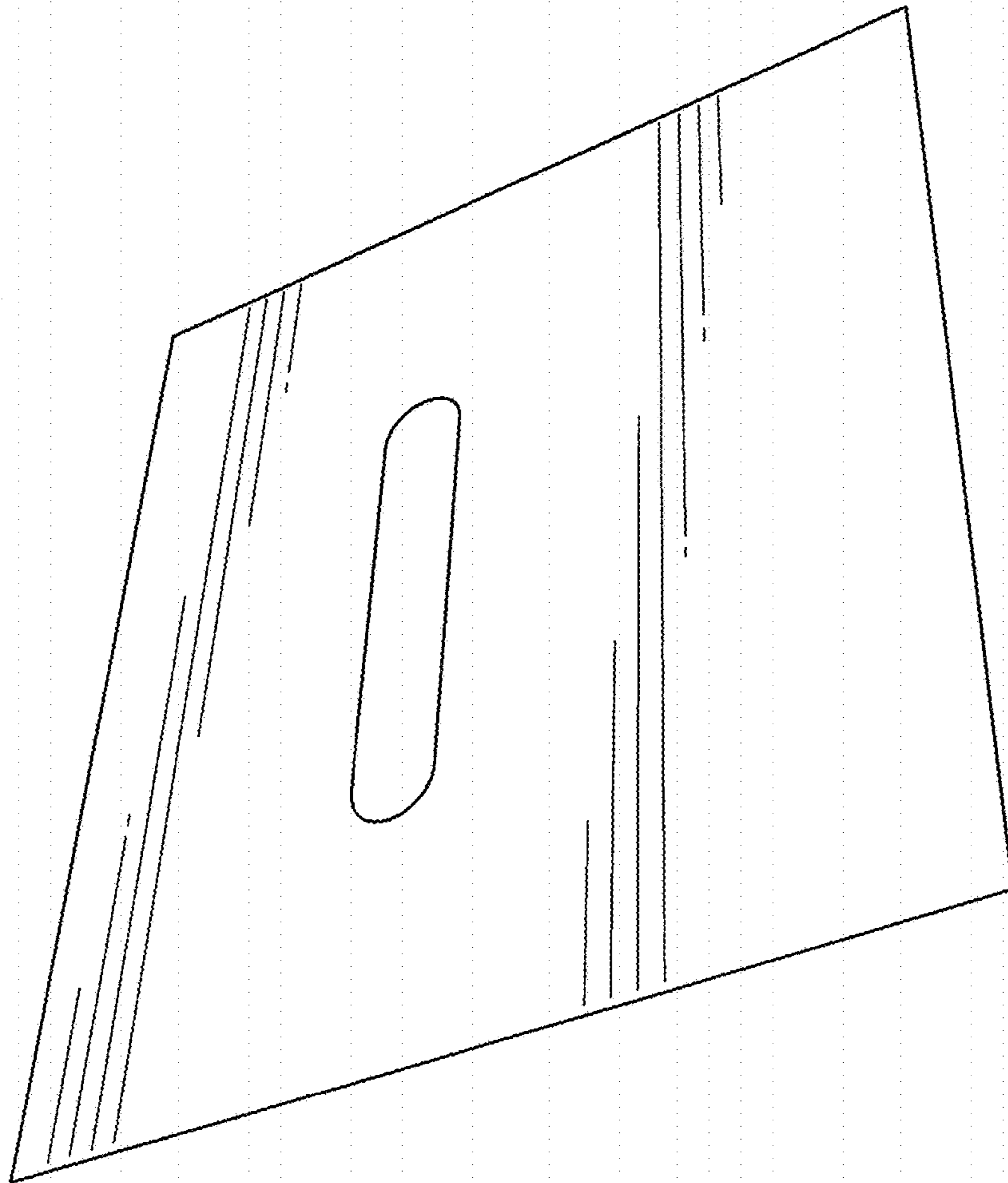


FIG. 1

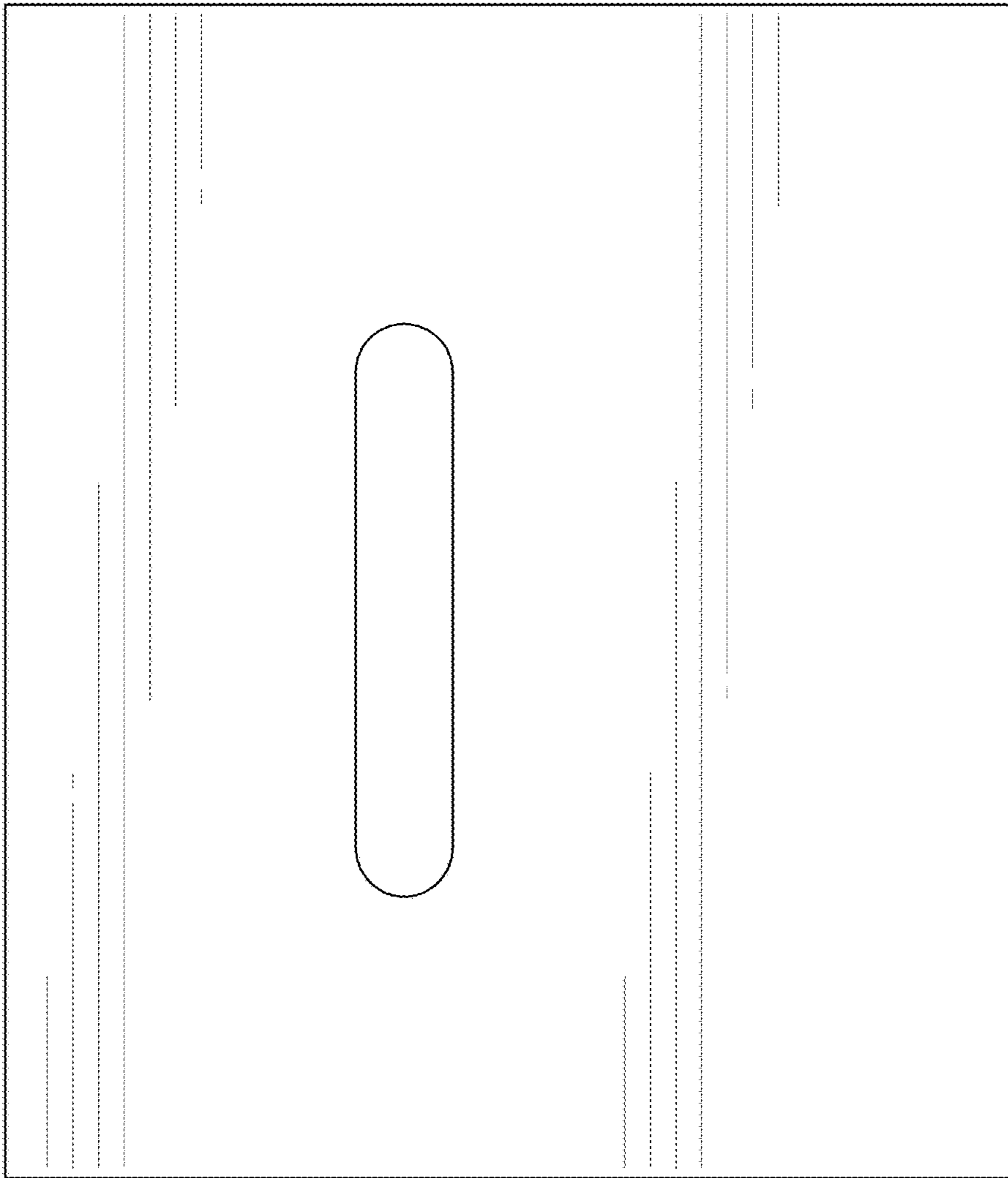


FIG. 2

FIG. 3

FIG. 4



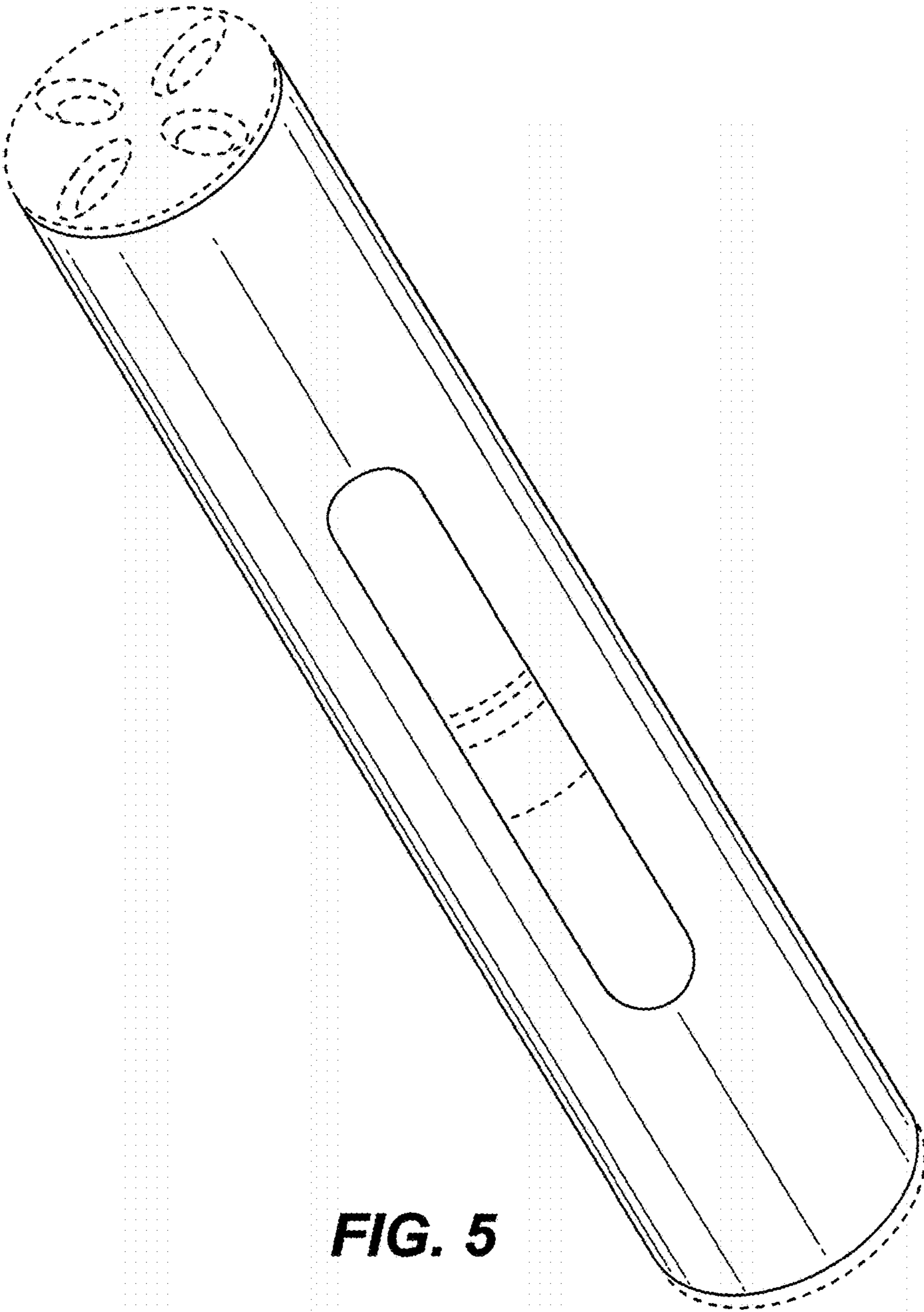


FIG. 5

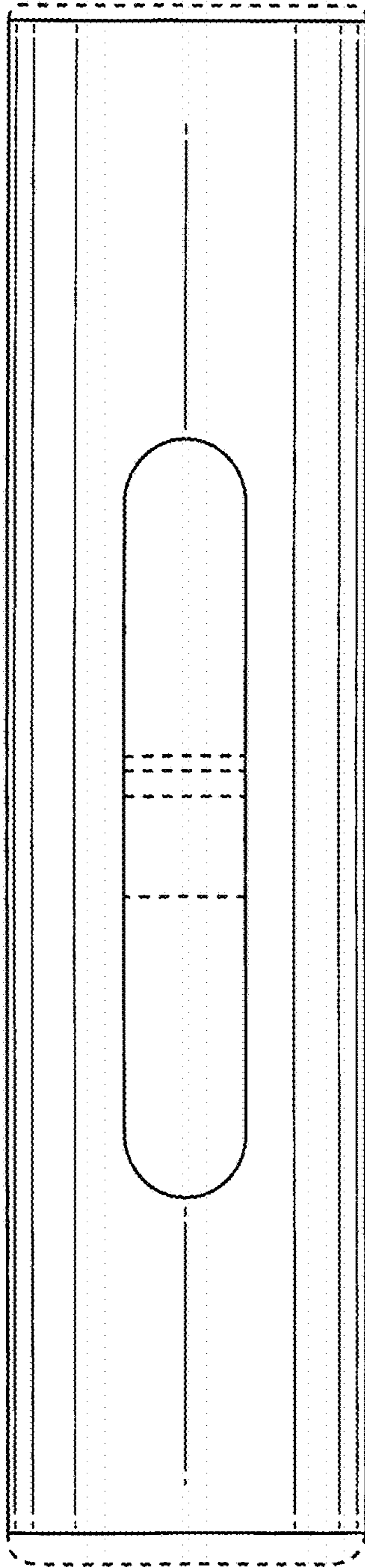


FIG. 6

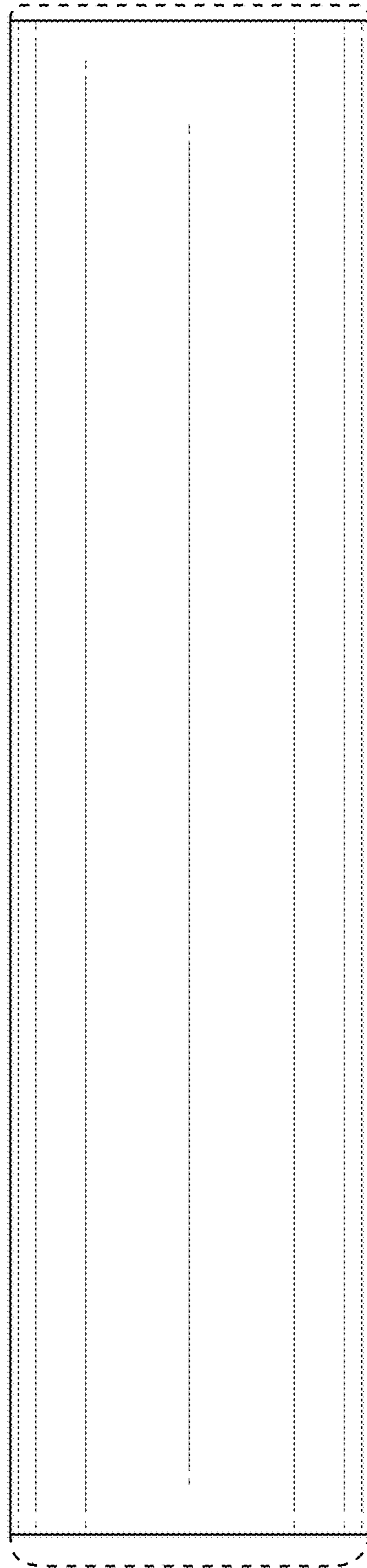


FIG. 7

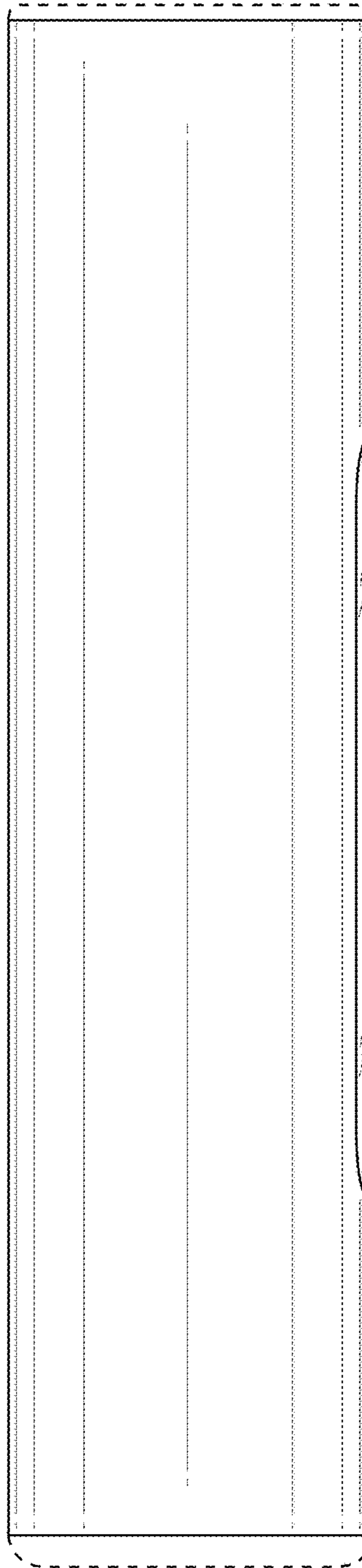


FIG. 8

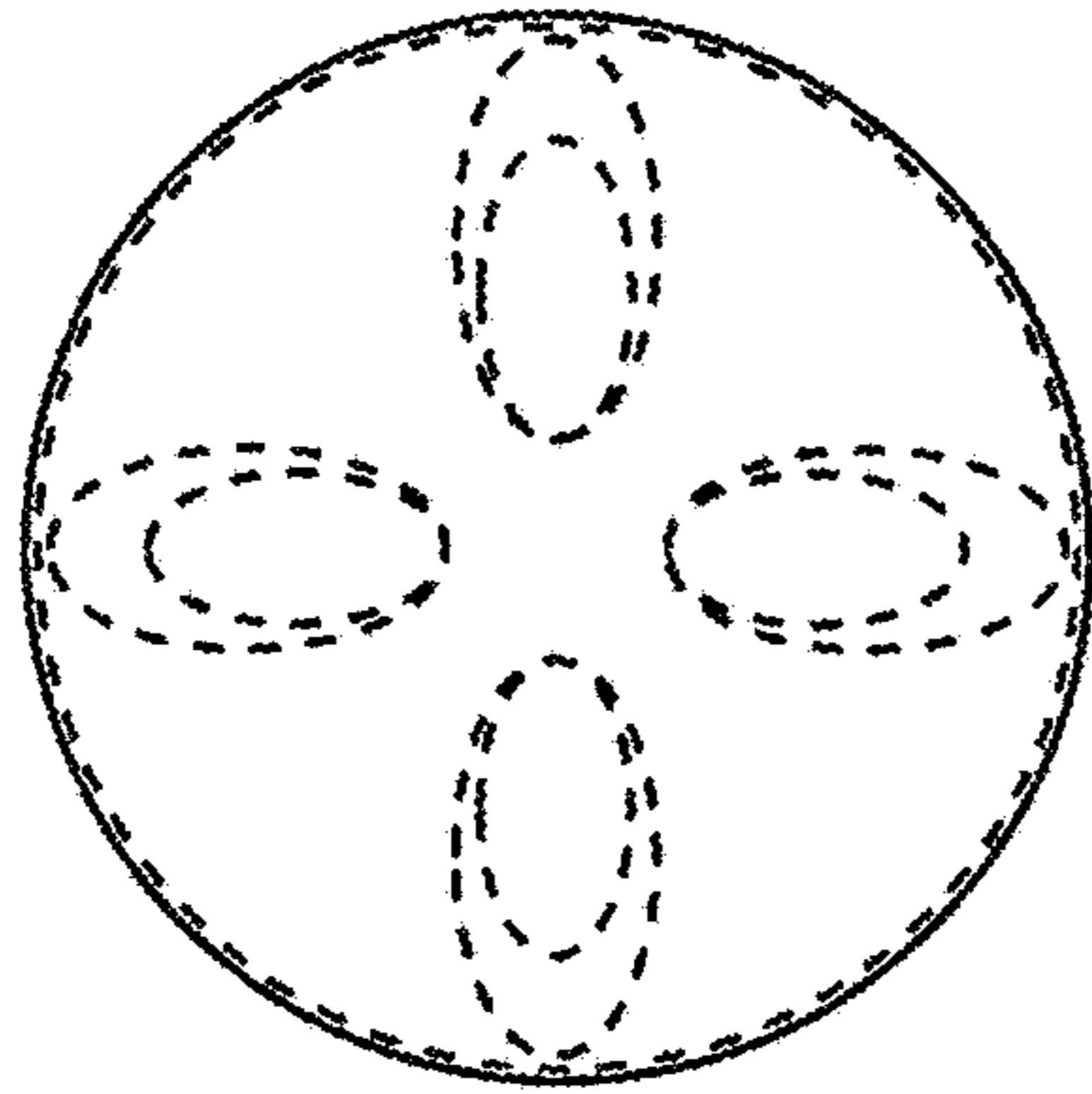


FIG. 9

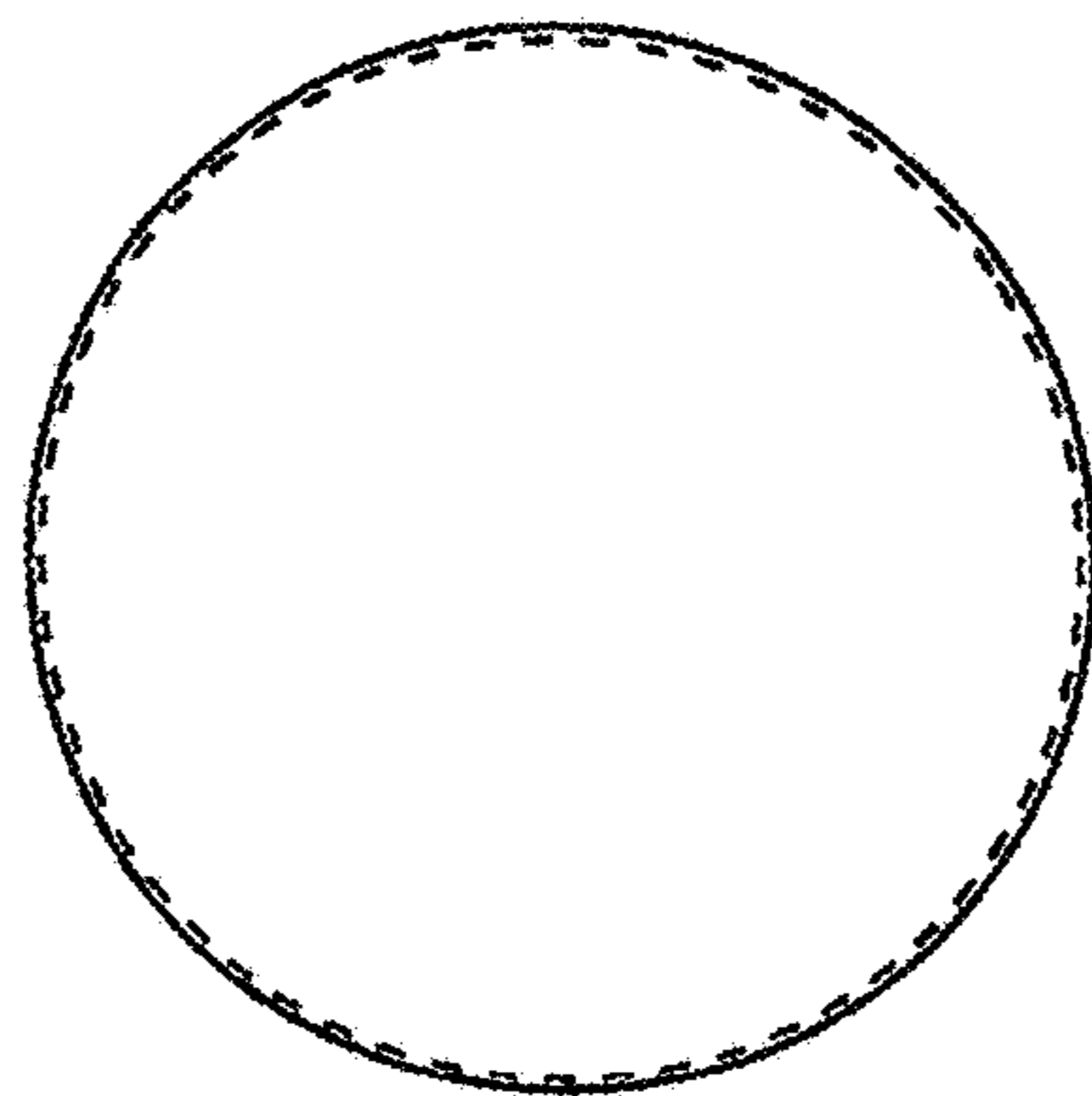


FIG. 10

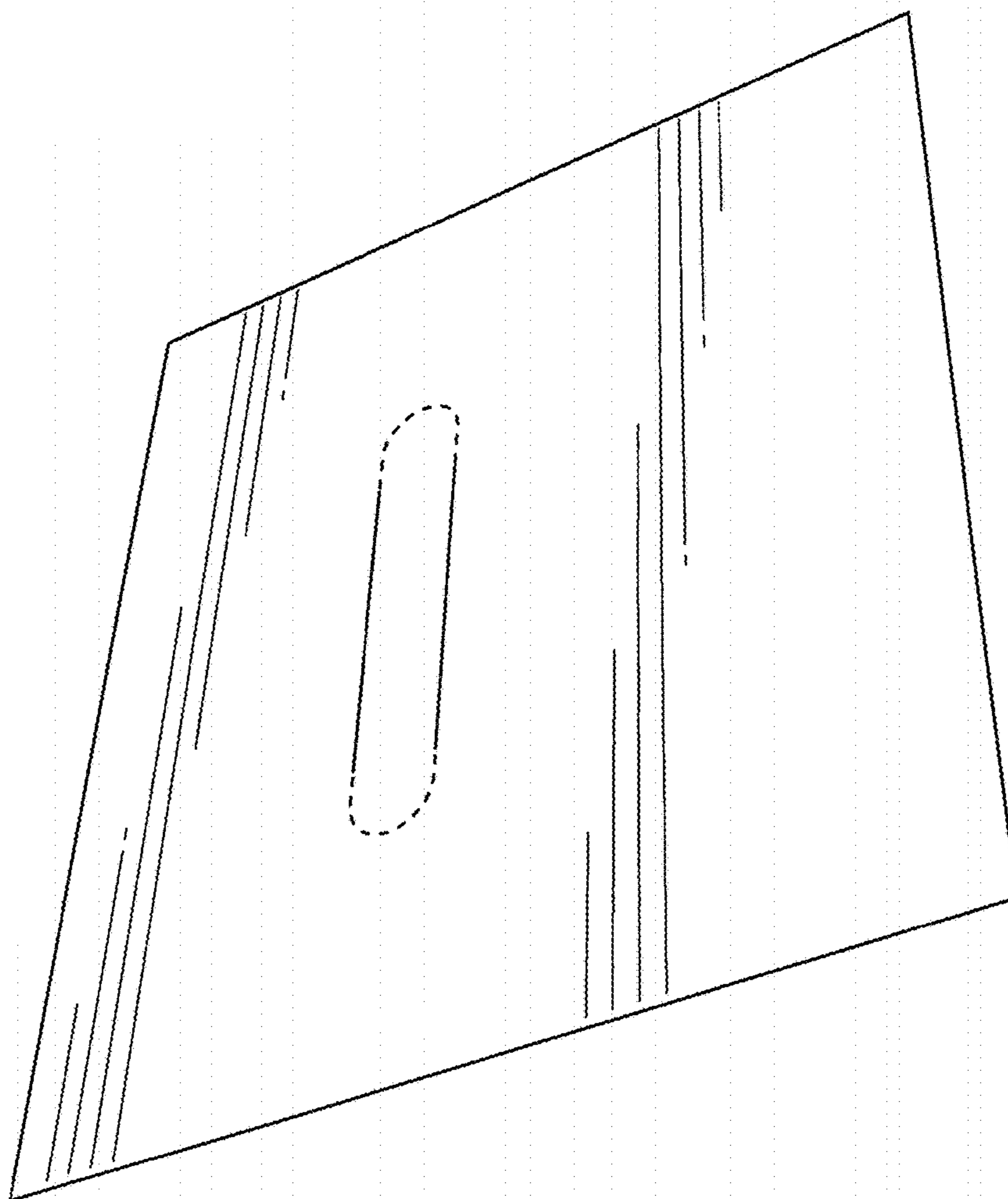


FIG. 11

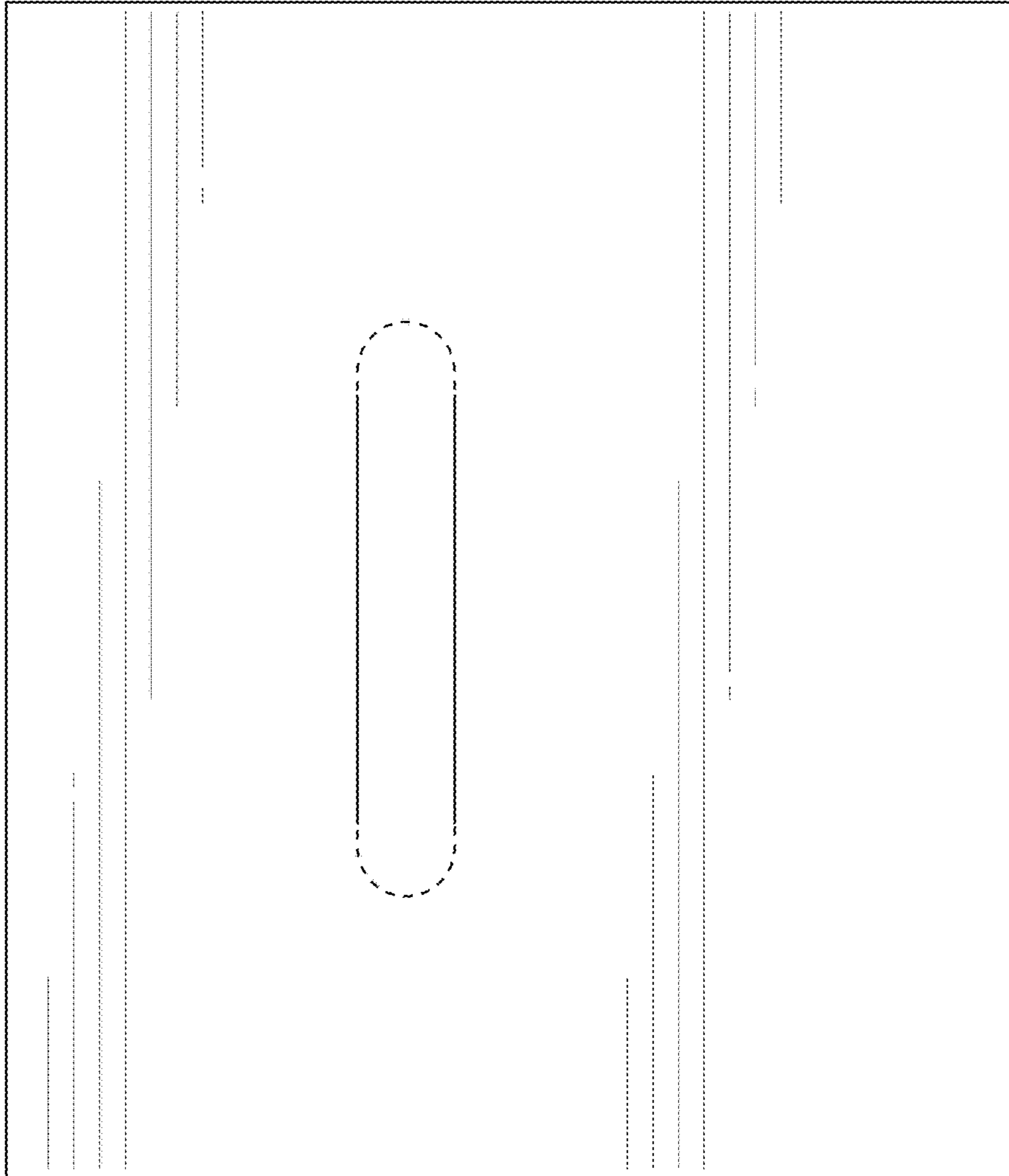


FIG. 12

FIG. 13

FIG. 14

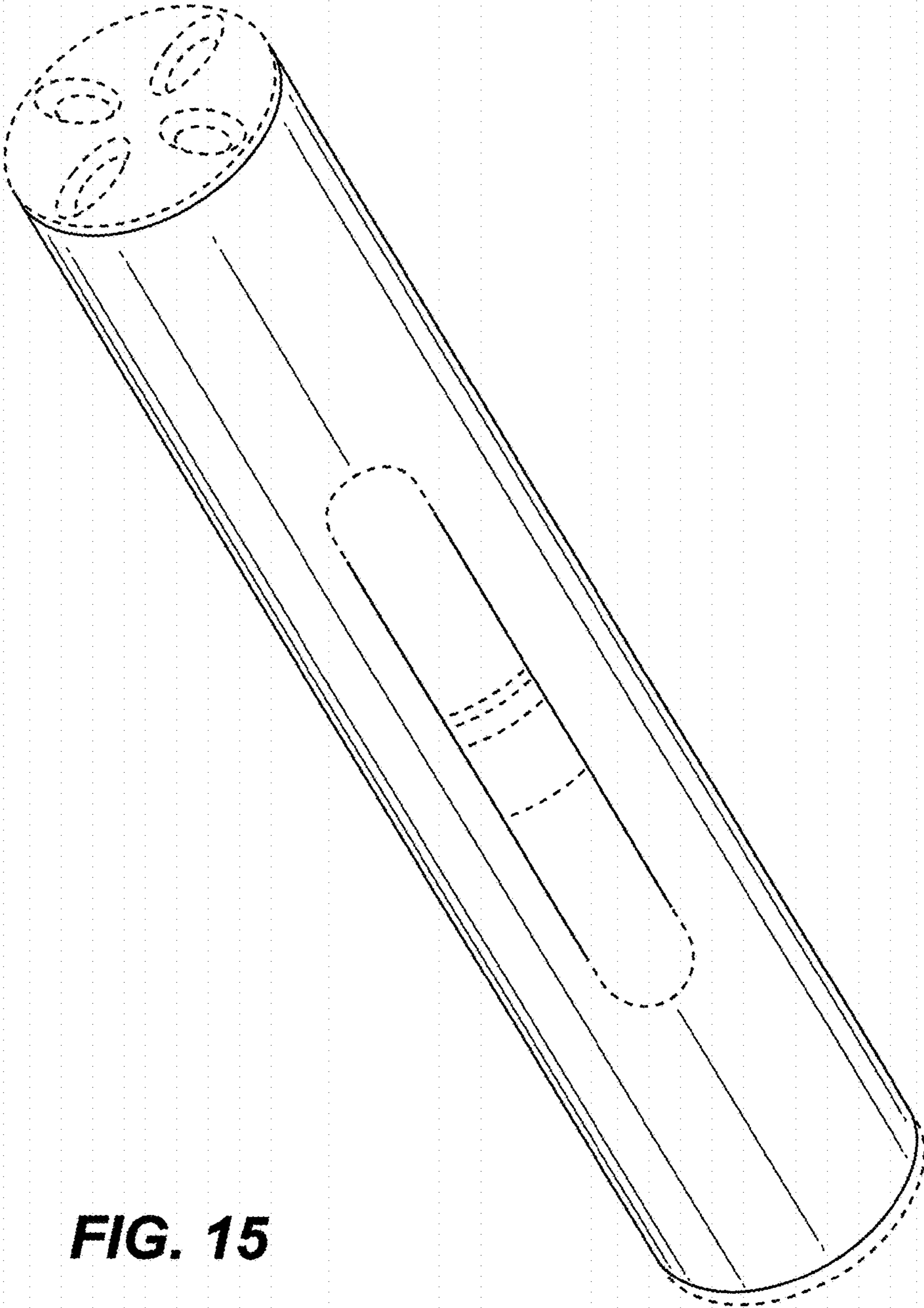


FIG. 15

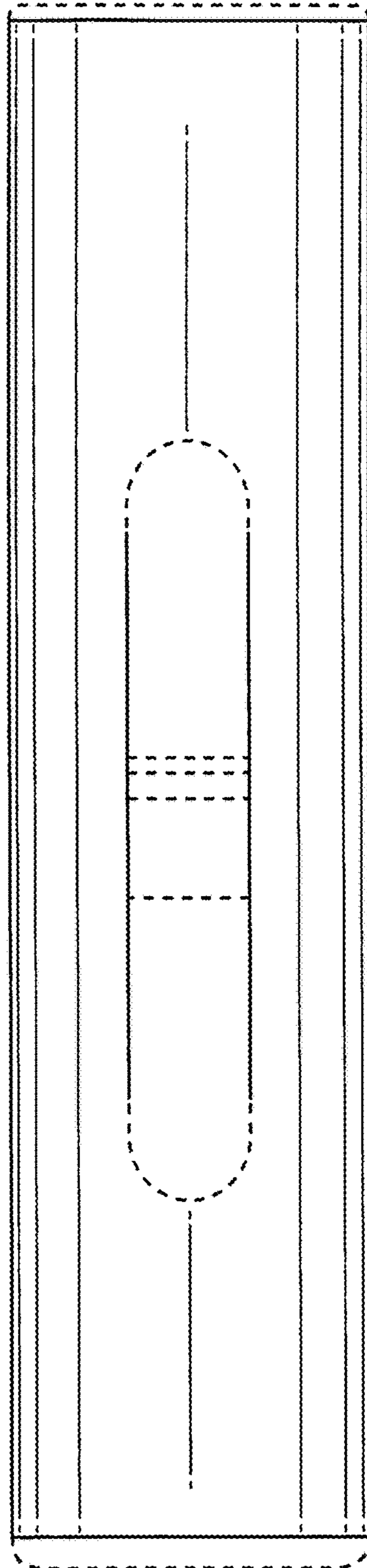


FIG. 16

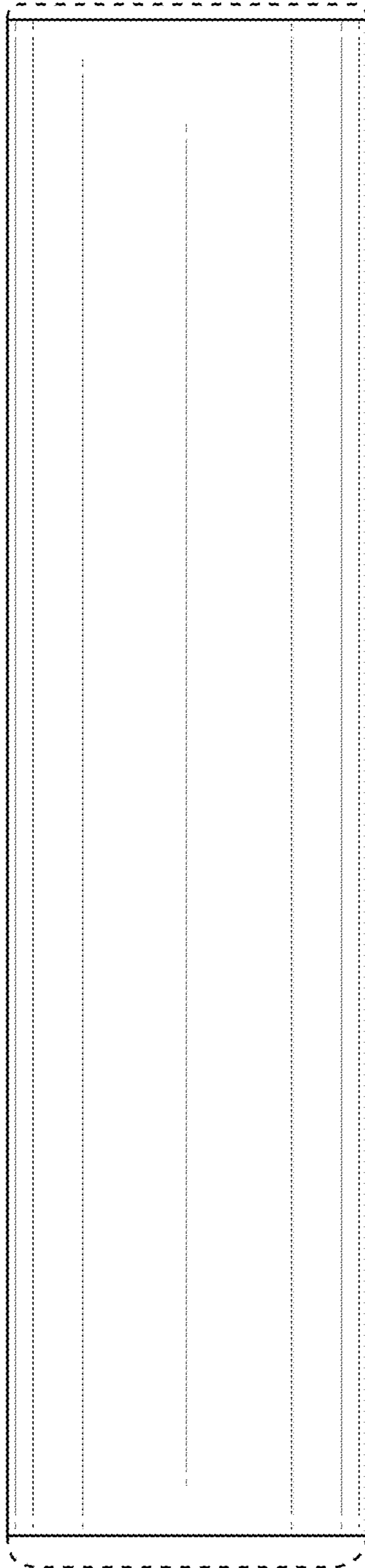


FIG. 17

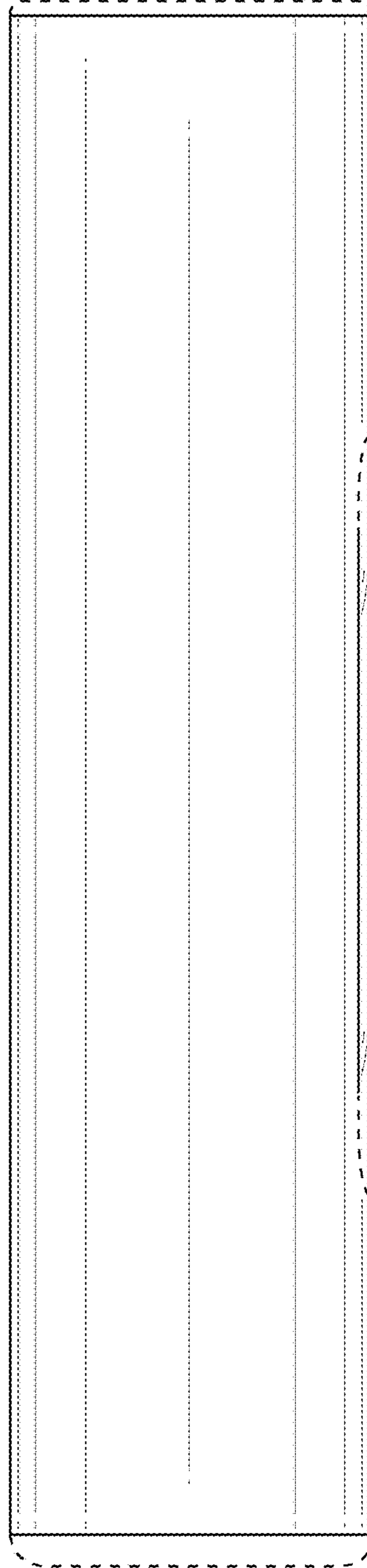


FIG. 18

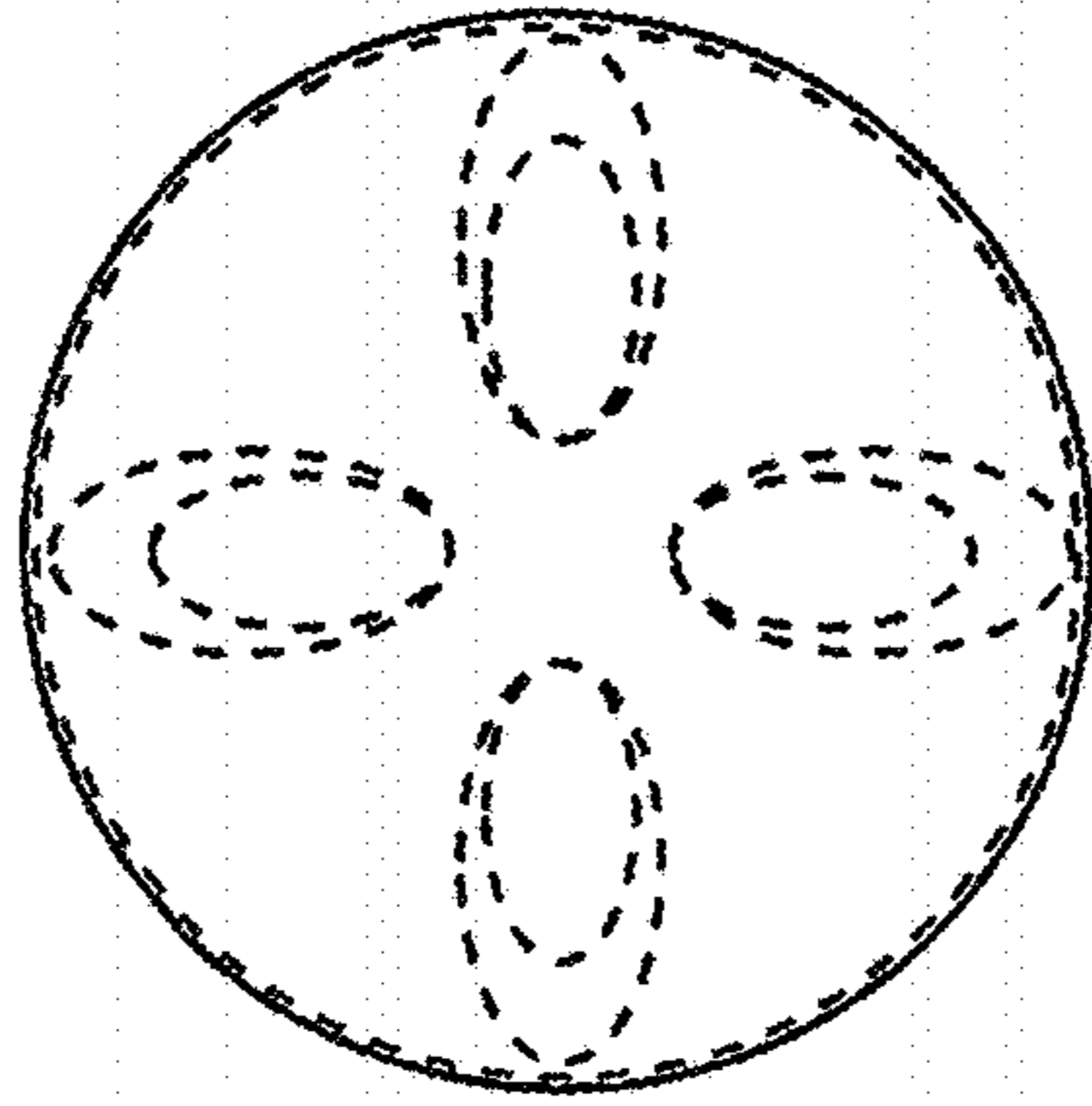


FIG. 19

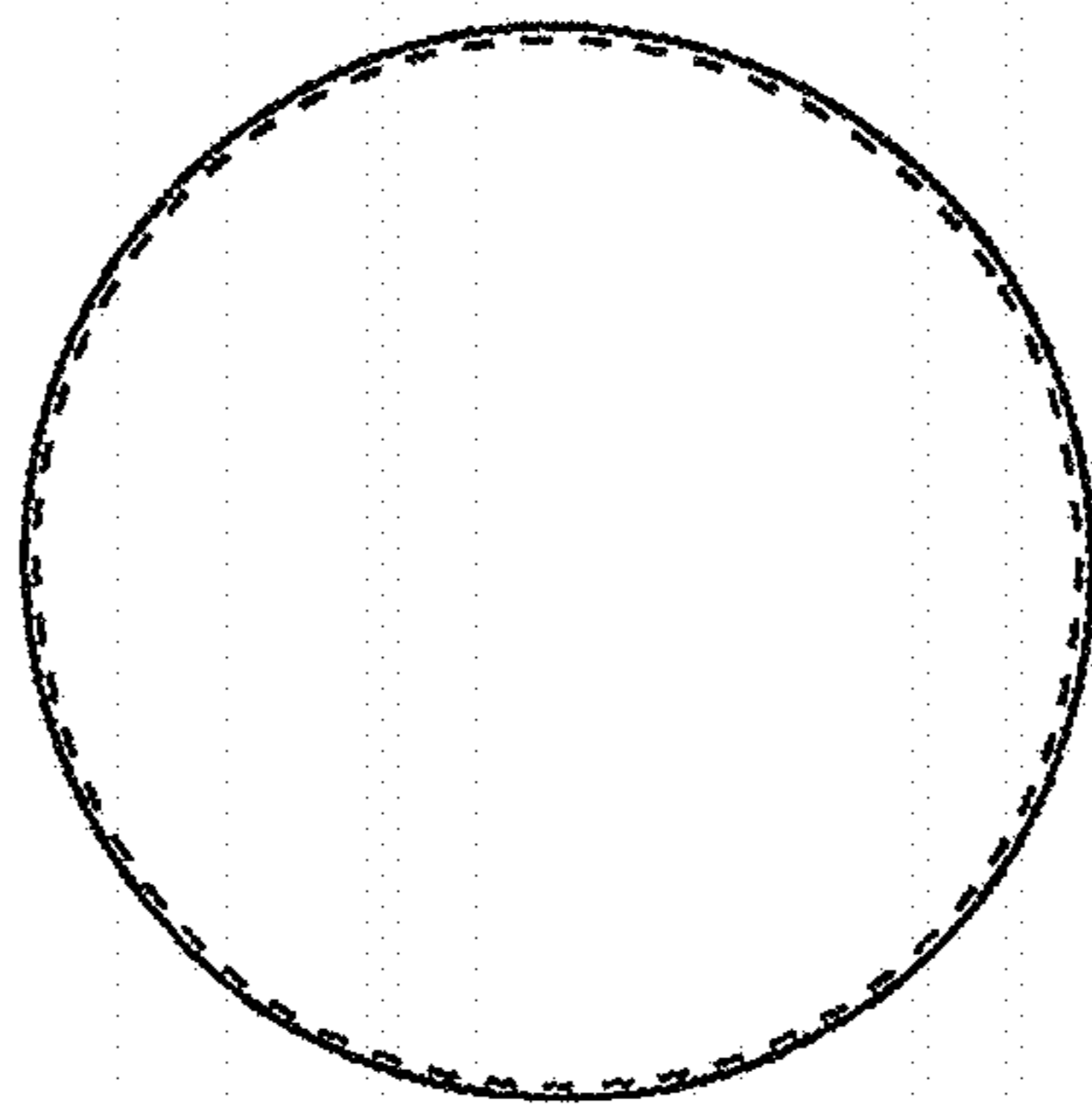


FIG. 20