



US00D862790S

(12) **United States Design Patent**  
**Yang**

(10) **Patent No.:** **US D862,790 S**

(45) **Date of Patent:** **\*\* Oct. 8, 2019**

- (54) **LASER LAMP BASE**
- (71) Applicant: **SHENZHEN QIAOHUA INDUSTRIES LIMITED**, Shenzhen (CN)
- (72) Inventor: **Ruishi Yang**, Shenzhen (CN)
- (73) Assignee: **SHENZHEN QIAOHUA INDUSTRIES LIMITED**, Shenzhen (CN)
- (\*\*) Term: **15 Years**
- (21) Appl. No.: **29/642,450**
- (22) Filed: **Mar. 29, 2018**
- (51) **LOC (12) Cl.** ..... **26-05**
- (52) **U.S. Cl.**  
USPC ..... **D26/142**
- (58) **Field of Classification Search**  
USPC ..... D8/349, 354, 355, 363, 373, 380, 499;  
D26/1, 2, 3, 26, 42, 65, 67, 68, 72, 79,  
D26/81, 84, 88, 85, 87, 113, 114, 118,  
D26/124, 128, 131, 134, 138, 140, 141,  
D26/142, 143, 152, 153  
CPC .... F21S 8/03; F21S 8/031; F21S 8/033; F21S  
8/036; F21S 9/03; F21S 9/037; F21V  
21/025; F21V 17/08; F21V 17/10  
See application file for complete search history.

- D390,397 S \* 2/1998 Chen ..... D6/550
- D397,413 S \* 8/1998 Sapp ..... D23/262
- D485,743 S \* 1/2004 Wilson, Sr. .... D8/354
- D544,448 S \* 6/2007 Hull ..... D13/151
- D554,237 S \* 10/2007 Lewis ..... D23/259
- D583,990 S \* 12/2008 Korpi ..... D26/142
- D594,938 S \* 6/2009 Dirneder ..... D23/262
- D604,542 S \* 11/2009 Kuo ..... D6/524
- D623,045 S \* 9/2010 Moncade ..... D8/354
- D828,609 S \* 9/2018 Barber ..... D26/110

**OTHER PUBLICATIONS**

US D846,970 S, 04/2019, Beagen (withdrawn)\*

\* cited by examiner

*Primary Examiner* — Mark A Goodwin

*Assistant Examiner* — Benjamin M Weeks

(74) *Attorney, Agent, or Firm* — Muncy, Geissler, Olds & Lowe, P.C.

(57) **CLAIM**

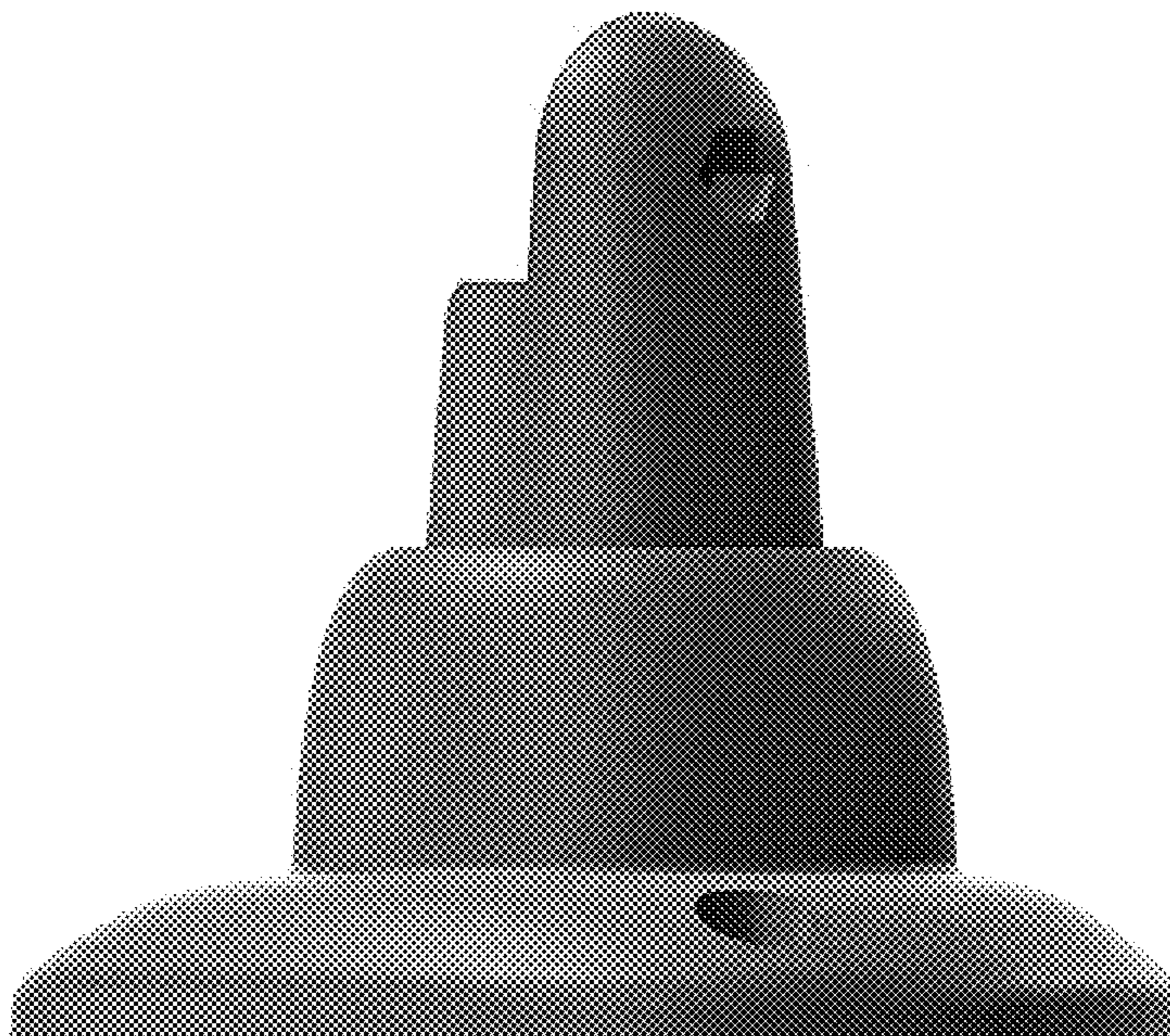
The ornamental design for a laser lamp base, as shown and described.

**DESCRIPTION**

FIG. 1 is a front, right perspective view of a laser lamp base showing my new design;  
FIG. 2 is a rear, left perspective view thereof;  
FIG. 3 is a front elevational view thereof;  
FIG. 4 is a rear elevational view thereof;  
FIG. 5 is a left side elevational view thereof;  
FIG. 6 is a right side elevational view thereof;  
FIG. 7 is a top plan view thereof; and,  
FIG. 8 is a bottom plan view thereof.

**1 Claim, 8 Drawing Sheets**

- (56) **References Cited**  
U.S. PATENT DOCUMENTS  
D265,874 S \* 8/1982 Klose ..... D23/223  
D383,236 S \* 9/1997 Krogman ..... D26/63



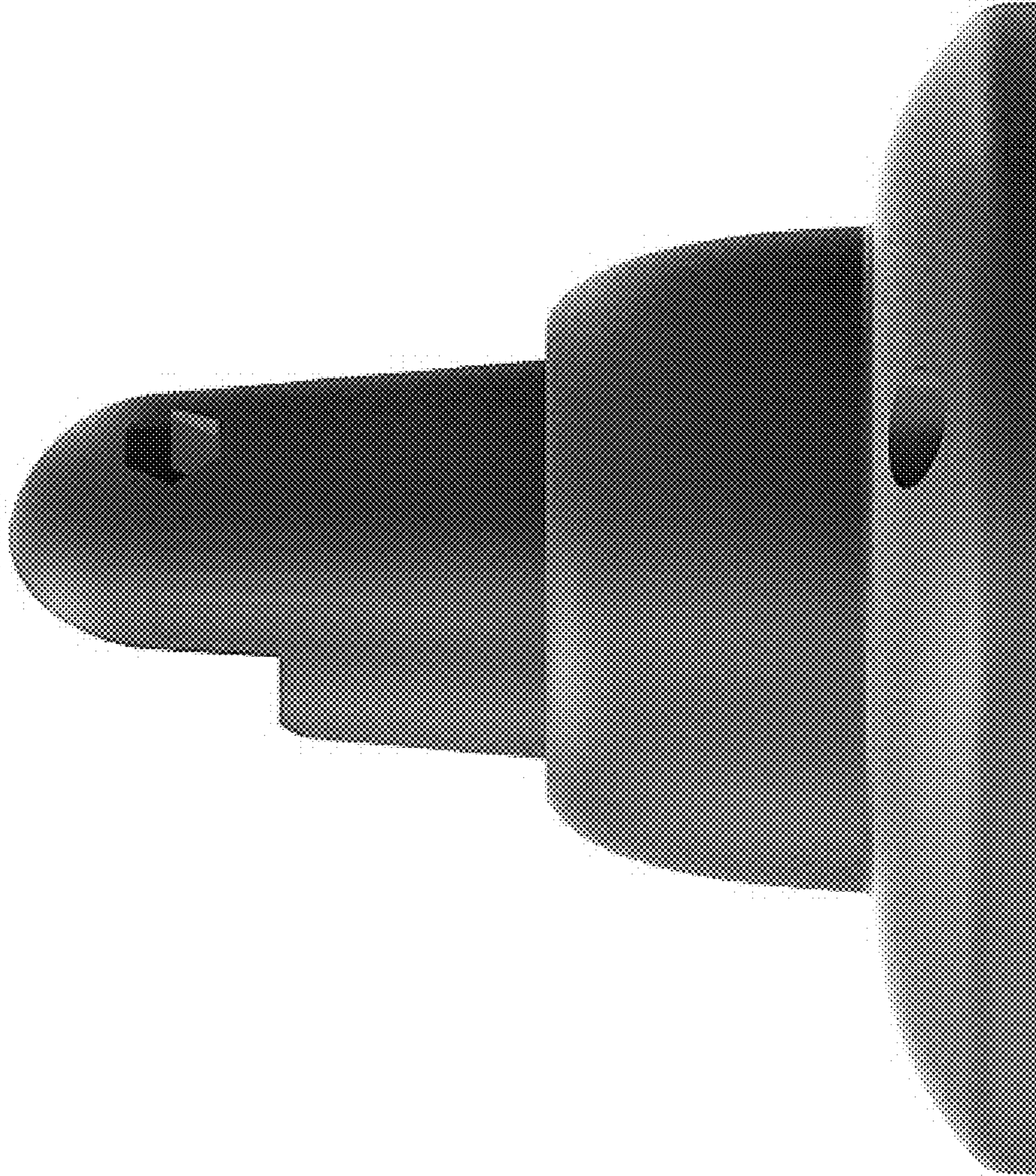


FIG. 1



FIG. 2

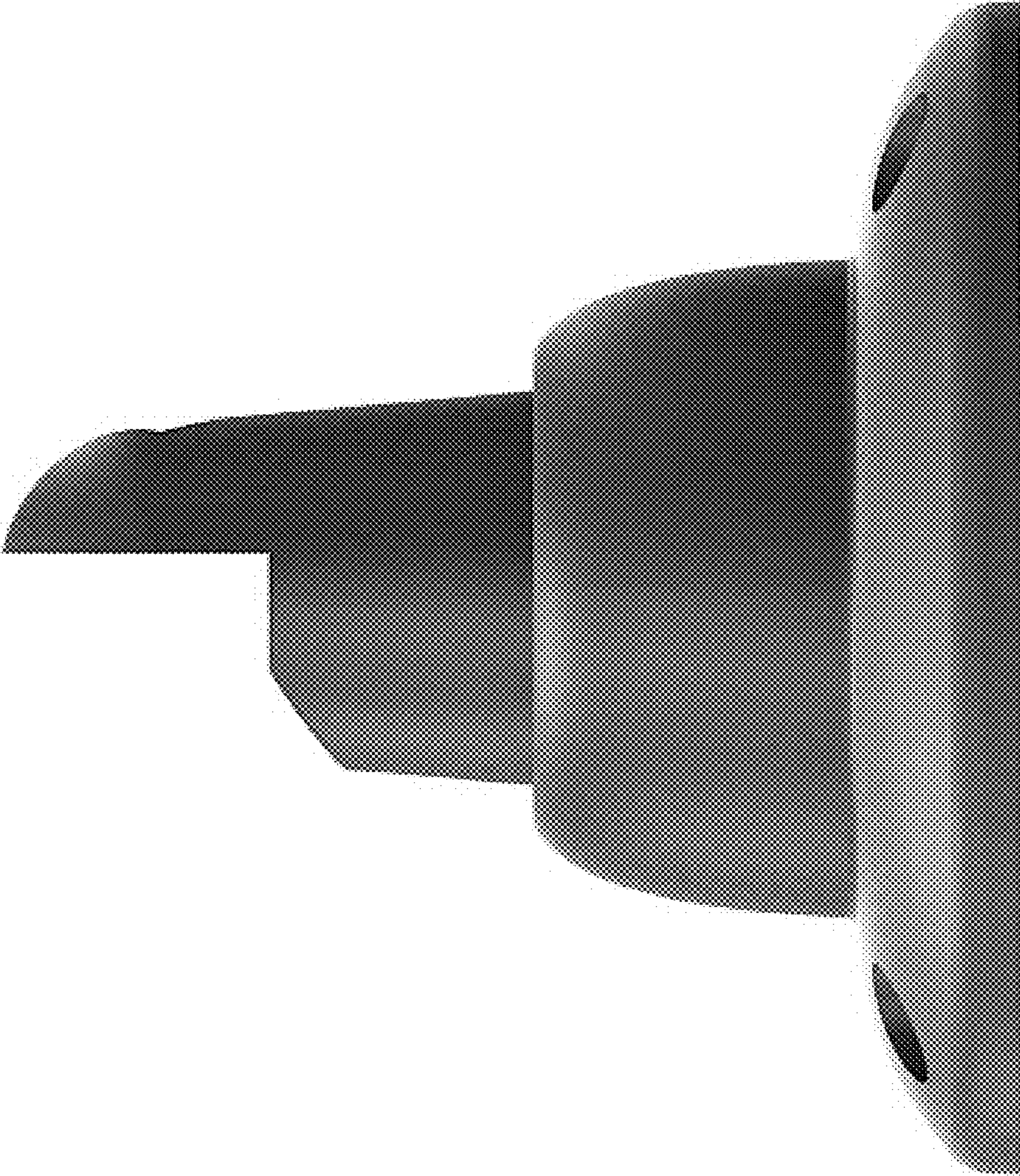


FIG. 3

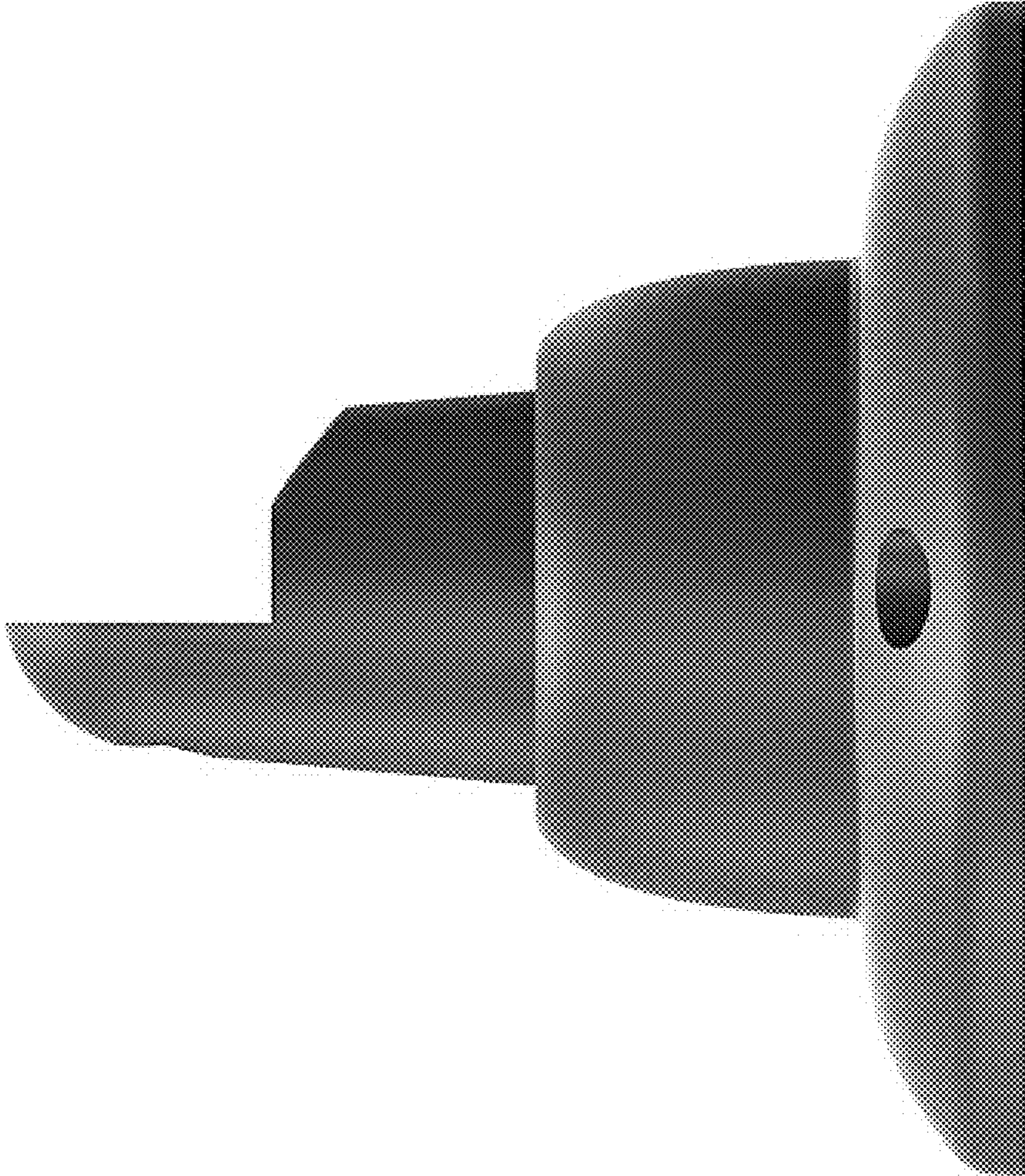


FIG. 4

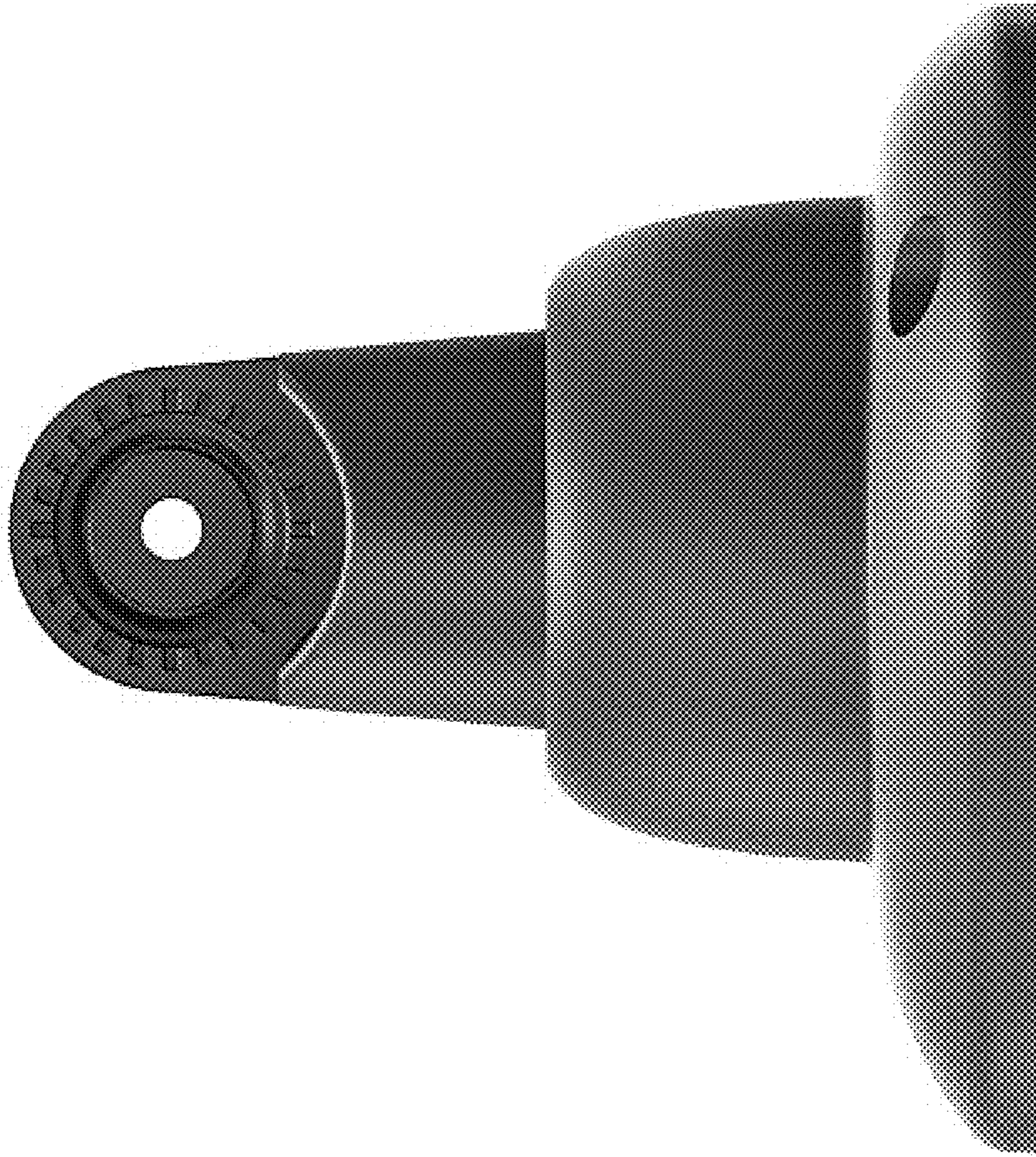


FIG. 5



FIG. 6



FIG. 7





FIG. 8