



US00D862789S

(12) **United States Design Patent** (10) **Patent No.:** **US D862,789 S**  
**Treible, Jr. et al.** (45) **Date of Patent:** **\*\* Oct. 8, 2019**

(54) **LIGHT FIXTURE WITH A SENSOR MODULE**

(71) Applicant: **Cooper Technology Company**,  
Houston, TX (US)

(72) Inventors: **Daniel Robert Treible, Jr.**, Liverpool,  
NY (US); **Andrew Francis Scarlata**,  
West Monroe, NY (US); **Joseph  
Michael Manahan**, Manlius, NY (US);  
**Pushpak Paris Yabrer**, Karnataka (IN);  
**Prashant Dilip Lokhande**, Maharashtra  
(IN); **Jayram Shivajirao Desai**,  
Maharashtra (IN); **Anzar Pandurang  
Rade**, Pune (IN)

(73) Assignee: **EATON INTELLIGENT POWER  
LIMITED**, Dublin (IE)

(\*\*) Term: **15 Years**

(21) Appl. No.: **29/619,969**

(22) Filed: **Oct. 3, 2017**

(51) **LOC (12) Cl.** ..... **26-05**

(52) **U.S. Cl.**  
USPC ..... **D26/138**

(58) **Field of Classification Search**  
USPC ..... D26/2, 3, 23-27, 37-40, 60-65, 68,  
D26/70-72, 74, 76, 80-87, 138  
CPC ..... F21S 2/00; F21S 4/20; F21S 8/00; F21S  
8/02; F21S 8/031; F21S 8/035  
See application file for complete search history.

(56) **References Cited**

U.S. PATENT DOCUMENTS

D592,799 S \* 5/2009 Scott ..... D26/138  
7,784,973 B2 \* 8/2010 Zhang ..... F21S 8/033  
362/294  
D627,507 S \* 11/2010 Lai ..... D26/138  
D627,727 S \* 11/2010 Alexander ..... D13/134

D639,500 S \* 6/2011 Choi ..... D26/138  
7,988,336 B1 \* 8/2011 Harbers ..... F21K 9/00  
362/294  
D646,016 S \* 9/2011 Choi ..... D26/138  
D651,738 S \* 1/2012 Guercio ..... D13/179  
D657,490 S \* 4/2012 Blincoe ..... D26/152  
D657,492 S \* 4/2012 Blincoe ..... D26/152  
D664,291 S \* 7/2012 Blincoe ..... D26/152  
D672,480 S \* 12/2012 Maxik ..... D26/2  
D684,286 S \* 6/2013 Rashidi ..... D26/74  
D699,889 S \* 2/2014 Yasuji Fletcher ..... D26/138

(Continued)

*Primary Examiner* — Mark A Goodwin

*Assistant Examiner* — Benjamin M Weeks

(74) *Attorney, Agent, or Firm* — King & Spalding LLP

(57) **CLAIM**

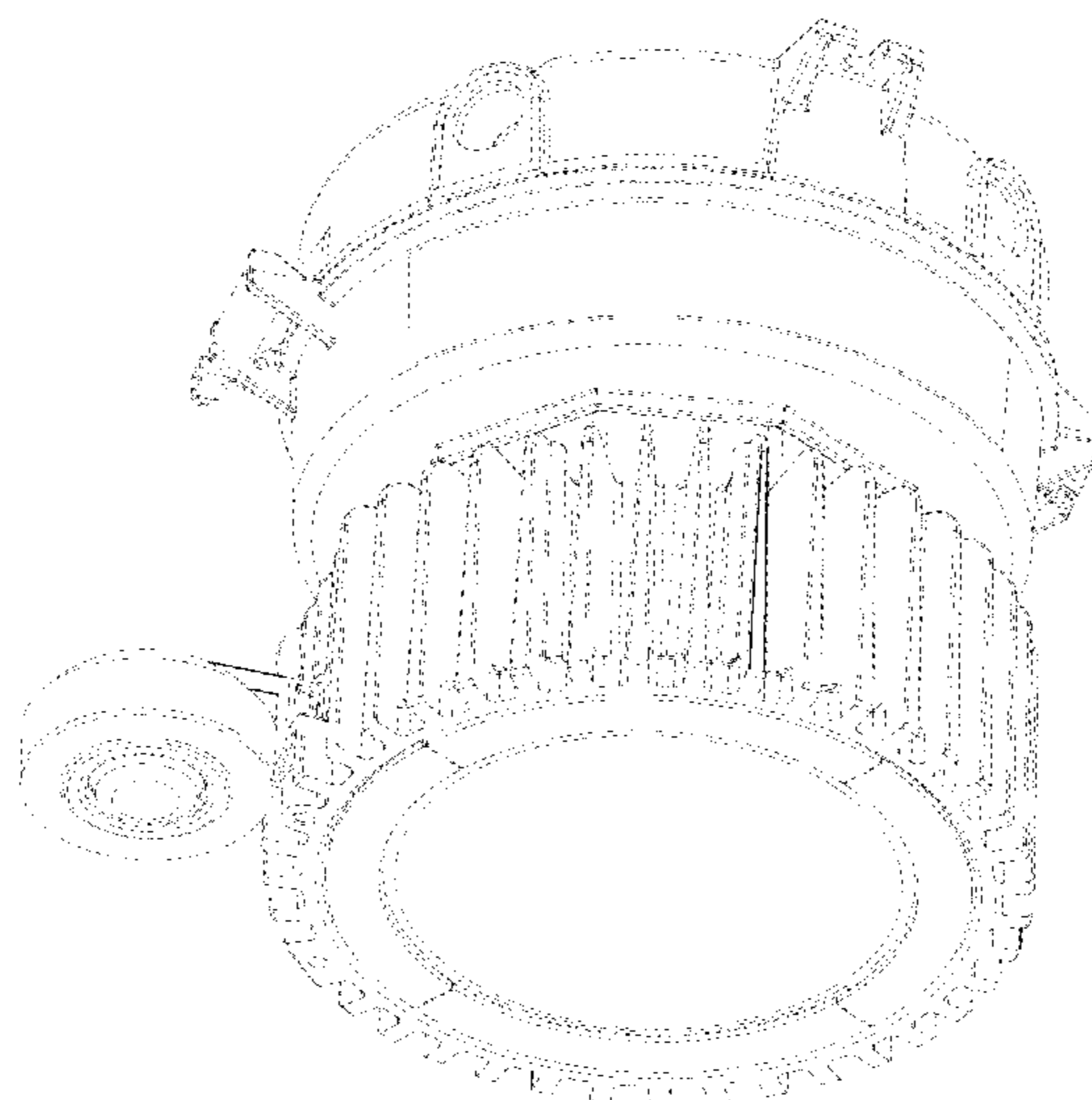
The ornamental design for a light fixture with a sensor module, as shown and described.

**DESCRIPTION**

FIG. 1 is a bottom-side-front perspective view of a light fixture with a sensor module, showing our new design; FIG. 2 is a top-side-front perspective view of the light fixture with the sensor module of FIG. 1; FIG. 3 is a right-side elevation view of the light fixture with the sensor module of FIG. 1; FIG. 4 is a left-side elevation view of the light fixture with the sensor module of FIG. 1; FIG. 5 is a front elevation view of the light fixture with the sensor module of FIG. 1; FIG. 6 is a rear elevation view of the light fixture with the sensor module of FIG. 1; FIG. 7 is a bottom plan view of the light fixture with the sensor module of FIG. 1; and, FIG. 8 is a top plan view of the light fixture with the sensor module of FIG. 1.

The broken lines shown in the figures depict portions of the light fixture with a sensor module that form no part of the claimed design.

**1 Claim, 8 Drawing Sheets**



(56)

**References Cited**

U.S. PATENT DOCUMENTS

D700,991 S *	3/2014	Johnson .....	D26/138
D803,427 S *	11/2017	Germain .....	D26/2
D809,176 S *	1/2018	Partington .....	D26/74
2005/0174780 A1 *	8/2005	Park .....	F21V 3/02 362/294
2010/0026158 A1 *	2/2010	Wu .....	F21V 3/02 313/46

\* cited by examiner

FIG. 1

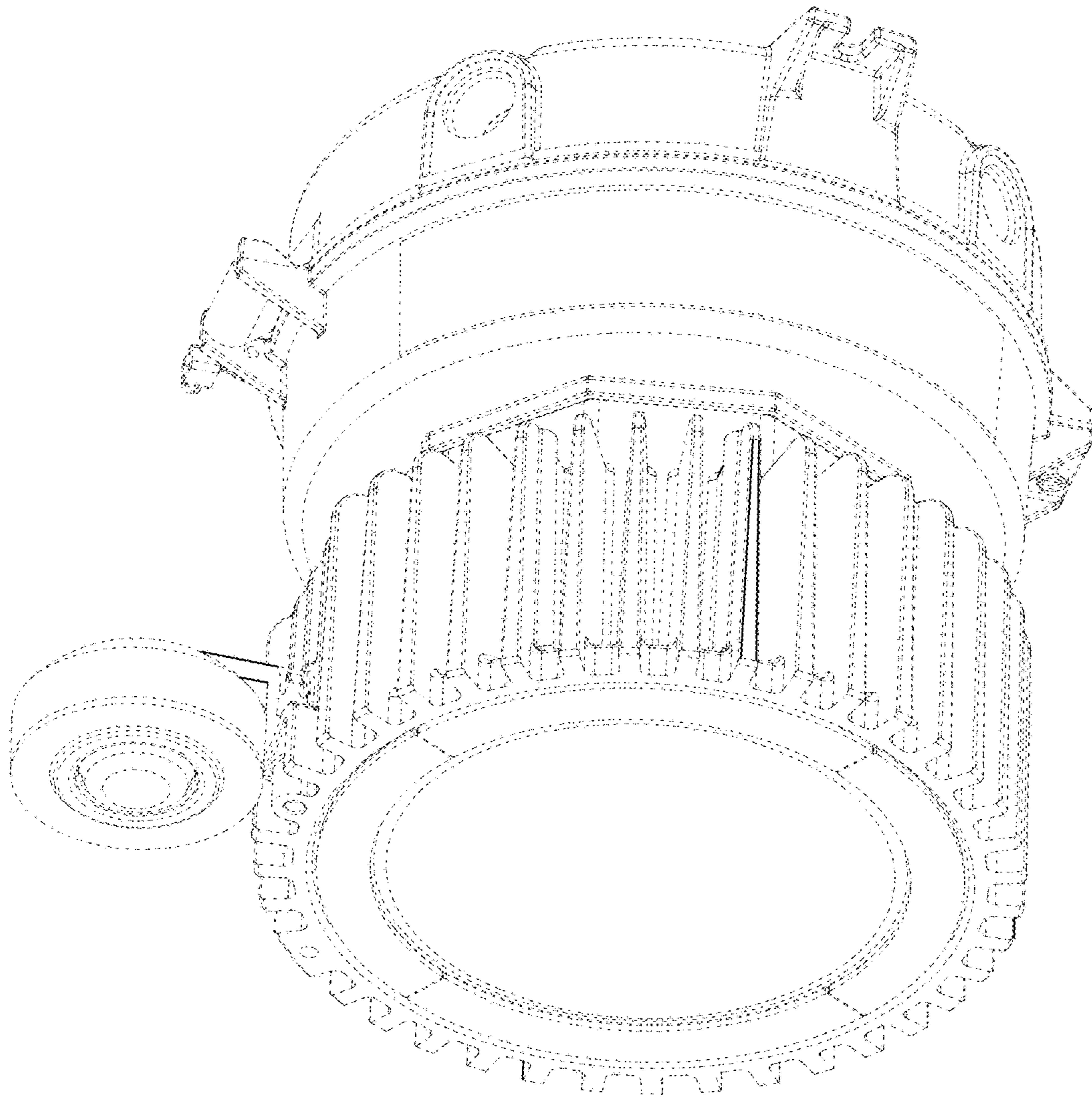


FIG. 2

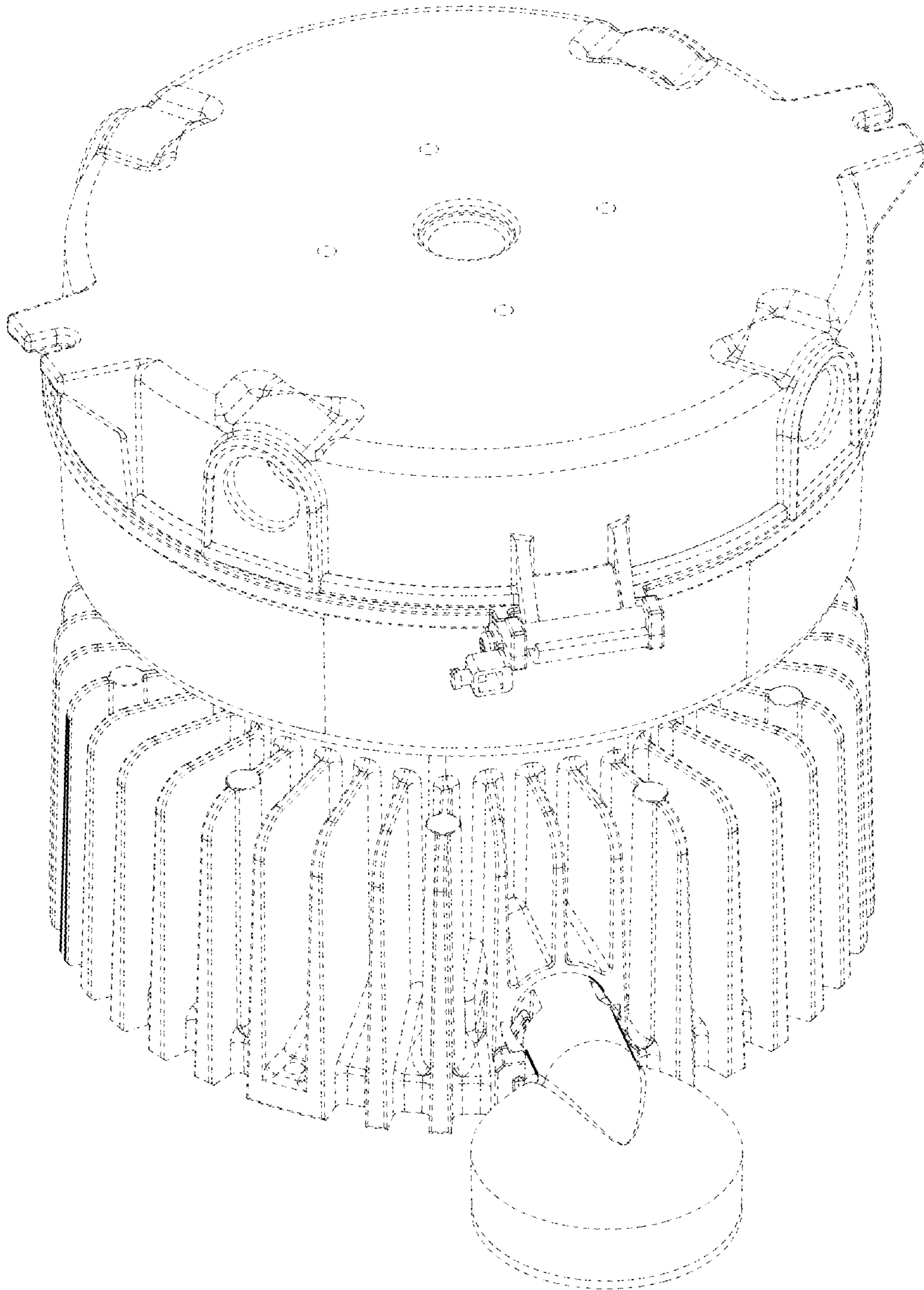




FIG. 3

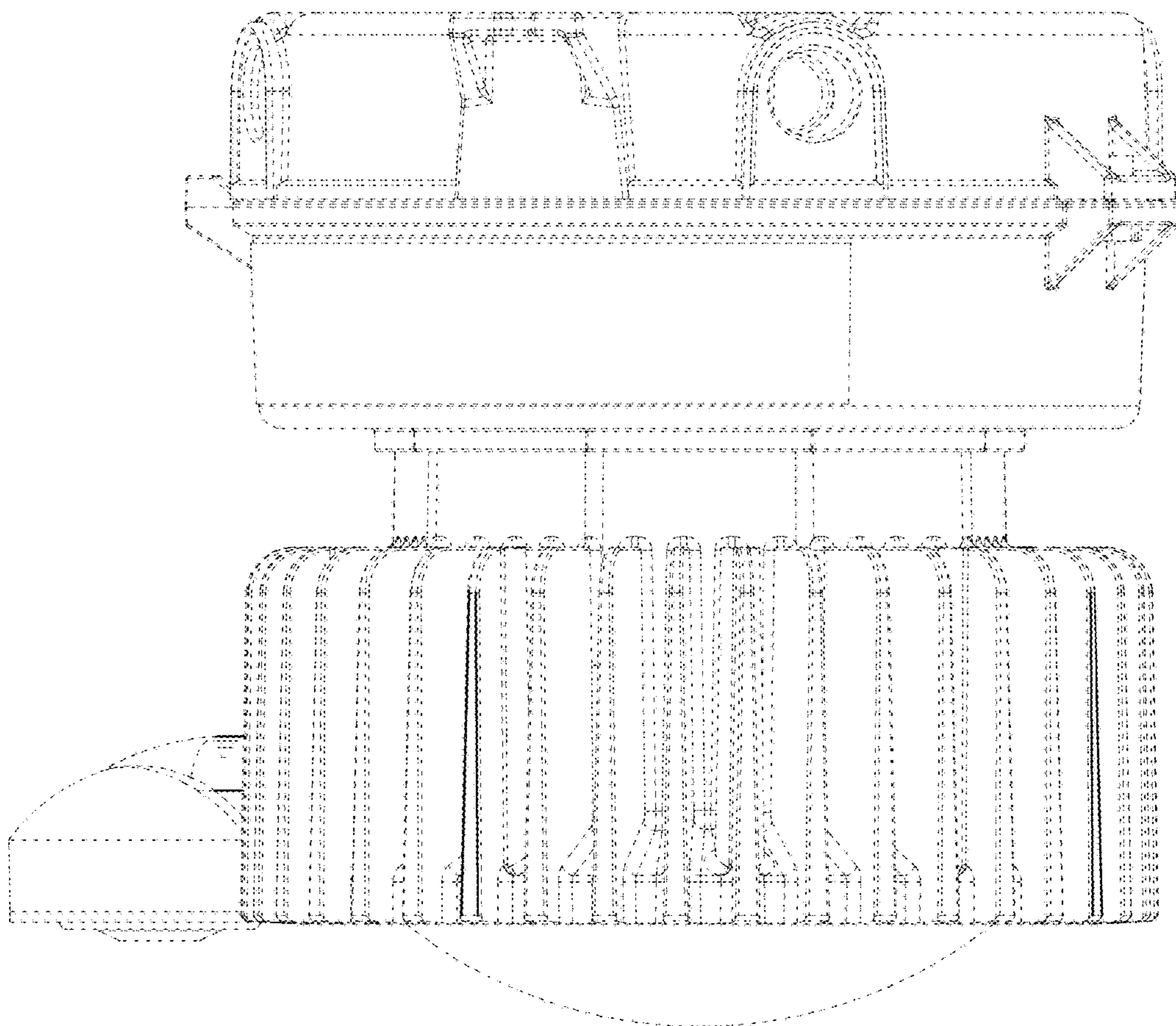


FIG. 4

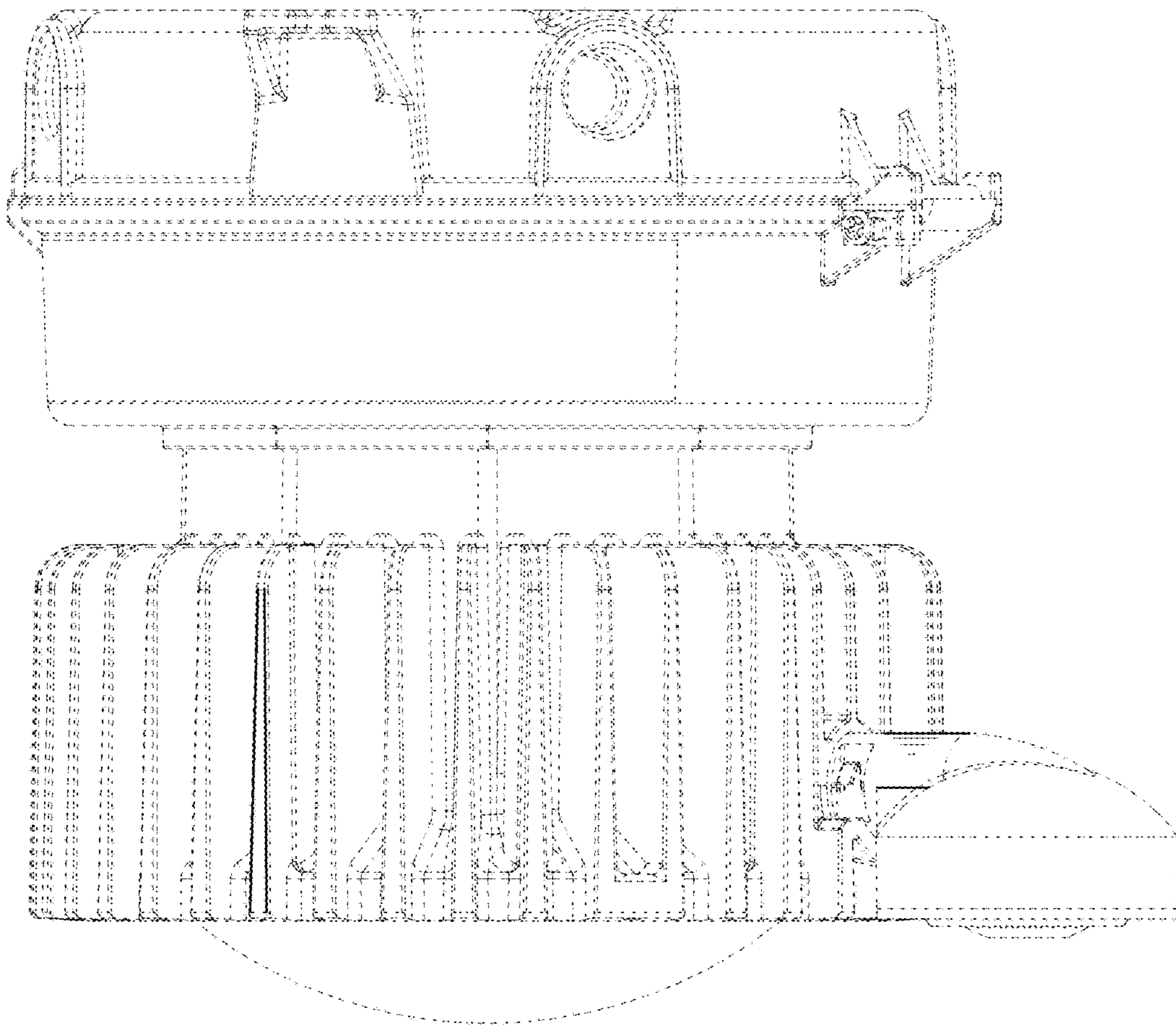


FIG. 5

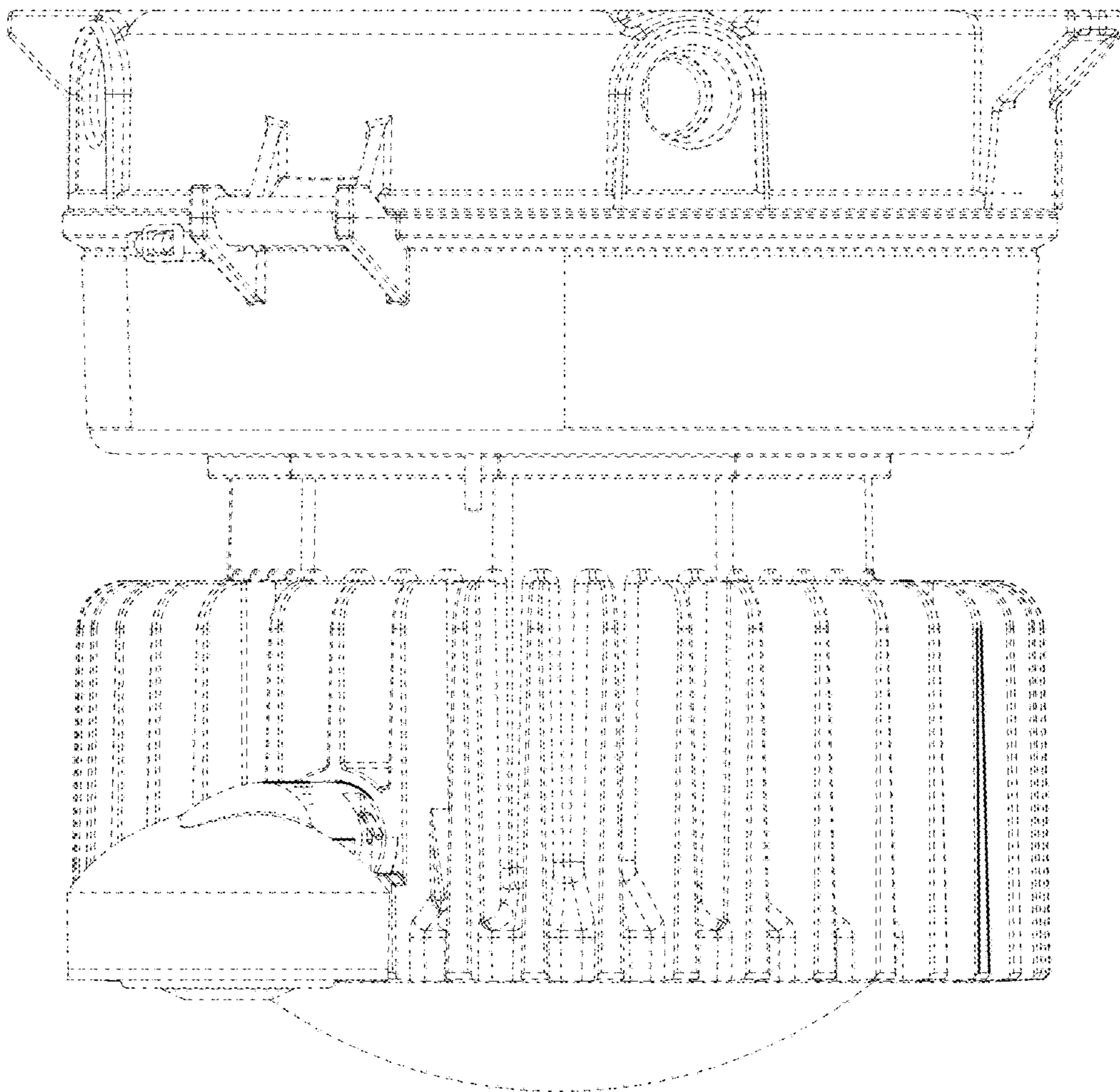


FIG. 6

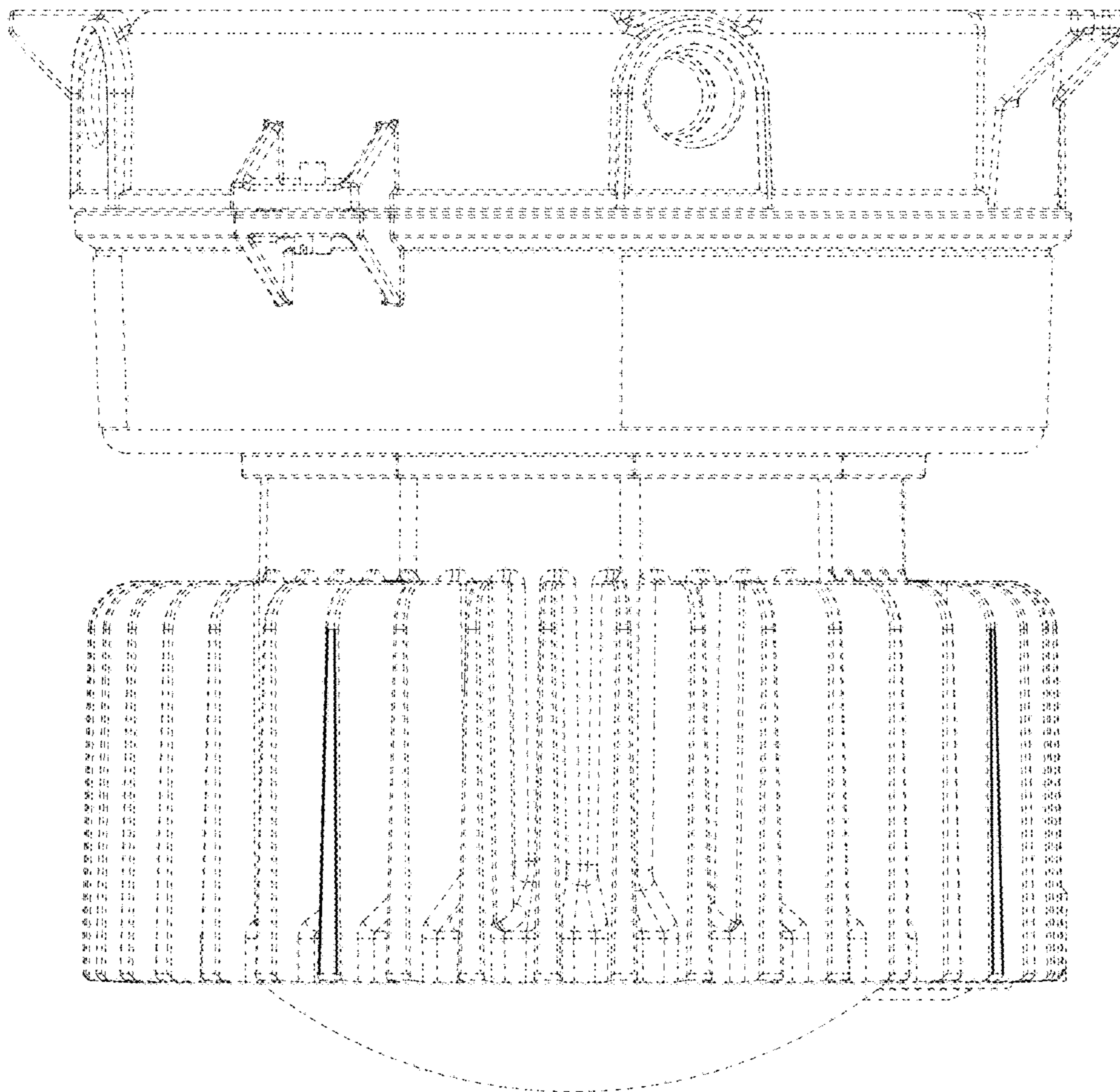




FIG. 7

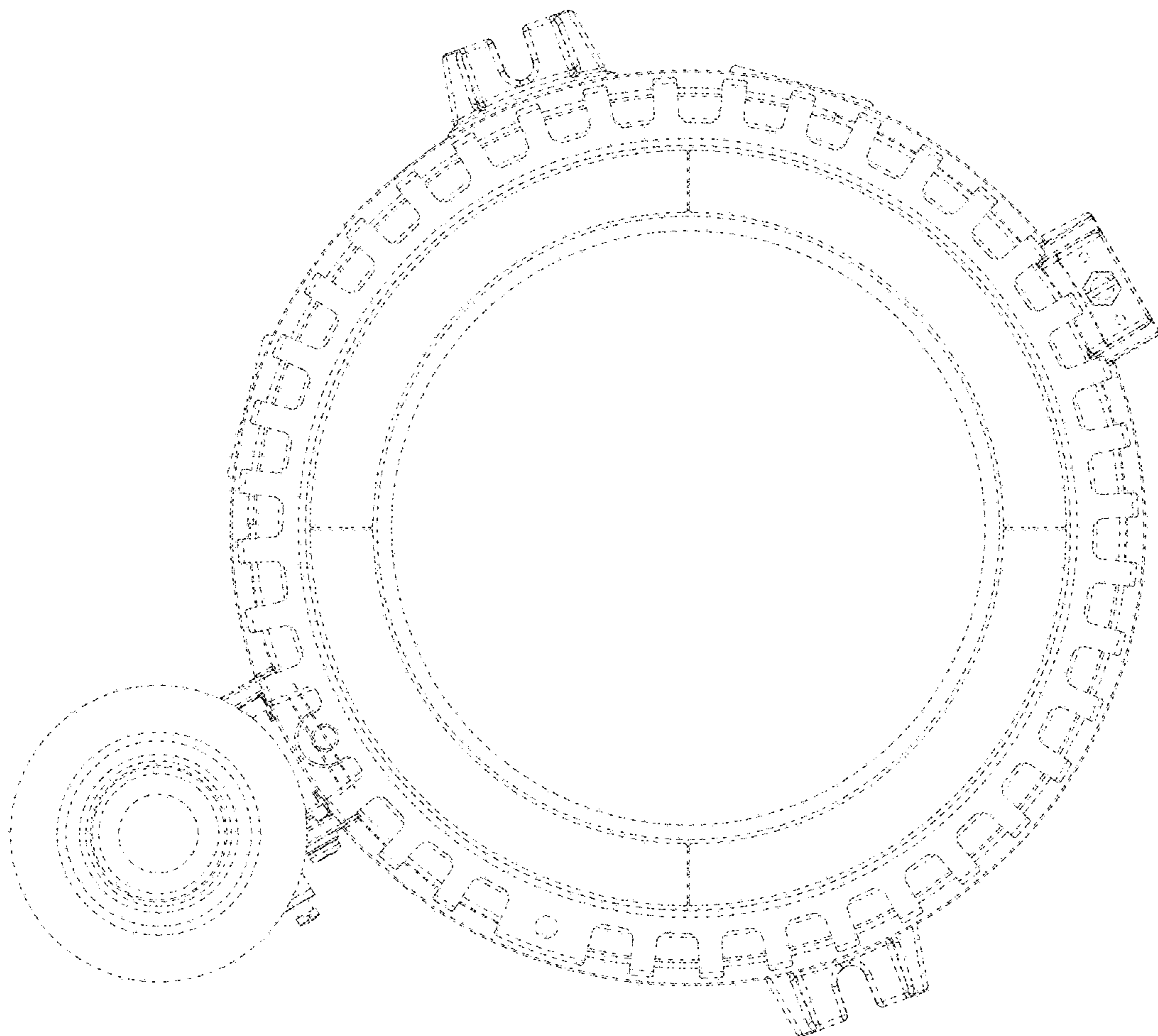


FIG. 8

