



US00D862787S

(12) **United States Design Patent** (10) **Patent No.:** **US D862,787 S**
Rashidi Doust (45) **Date of Patent:** **** Oct. 8, 2019**

(54) **LIGHT FIXTURE**
(71) Applicant: **ELITE LIGHTING**, Commerce, CA (US)
(72) Inventor: **Hamid Rashidi Doust**, Beverly Hills, CA (US)
(**) Term: **15 Years**

D692,610 S * 10/2013 Sitarski D26/118
D716,995 S * 11/2014 Zhu D26/122
D733,960 S * 7/2015 Howe D26/122
D734,534 S * 7/2015 Howe D26/122
D736,450 S * 8/2015 Reynolds D26/118
D739,593 S * 9/2015 Mayfield, III D26/118
D810,998 S * 2/2018 DiFelice D26/118
D812,806 S * 3/2018 Luo D26/120
D828,946 S * 9/2018 McVey D26/85
2013/0294090 A1 * 11/2013 Mayfield, III F21V 17/00
362/330

(21) Appl. No.: **29/646,900**
(22) Filed: **May 8, 2018**
(51) **LOC (12) Cl.** **26-05**
(52) **U.S. Cl.**
USPC **D26/120; D26/24**
(58) **Field of Classification Search**
USPC D26/24, 28, 36, 81, 83, 120-122;
D10/104.1, 106.1, 114.1, 114.2, 114.3
CPC F21V 1/00; F21V 1/02; F21V 1/04; F21V
1/14; F21V 3/00; F21V 3/02; F21V 5/00;
F21V 5/002; F21V 11/00; F21V 11/02;
F21V 11/06; F21K 9/23; F21K 9/232;
F21K 9/237
See application file for complete search history.

OTHER PUBLICATIONS

<https://www.iuseelite.com/product-category/recessed-directindirect/>, accessed May 2, 2018.
<https://www.iuseelite.com/product-category/architecturalspecification-suspended-linear/>, accessed May 2, 2018.

* cited by examiner

Primary Examiner — Wan Laymon
Assistant Examiner — Clint A Samuel
(74) *Attorney, Agent, or Firm* — Payam Moradian

(57) **CLAIM**

I claim the ornamental design for a light fixture, as shown and described.

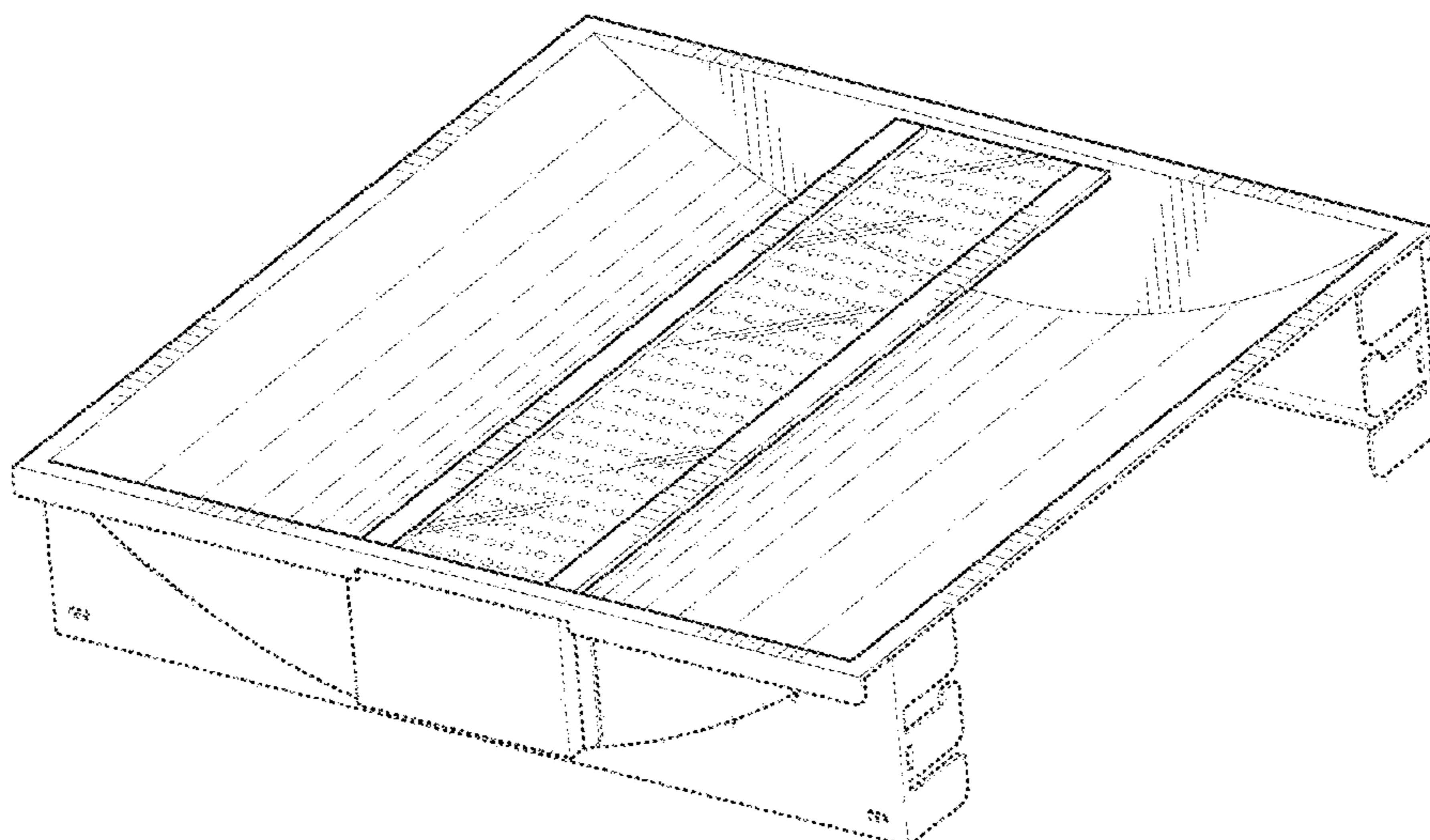
(56) **References Cited**
U.S. PATENT DOCUMENTS

D399,586 S * 10/1998 Ranieri D26/74
D399,588 S * 10/1998 St. Ives D26/76
D409,325 S * 5/1999 Holder D26/74
D413,402 S * 8/1999 Ranieri D26/74
D595,006 S * 6/2009 Santoro D26/120
D605,342 S * 12/2009 Chung D26/118
D608,490 S * 1/2010 Chung D26/118
D609,385 S * 2/2010 Castelli D26/76
D609,386 S * 2/2010 Castelli D26/76
D609,854 S * 2/2010 Lown D26/120
D632,832 S * 2/2011 Lown D26/120
D653,376 S * 1/2012 Kong D26/72
D665,119 S * 8/2012 Bryant D26/122
D675,364 S * 1/2013 Watt D26/74

DESCRIPTION

FIG. 1 is a top perspective view of the light fixture, showing my new design;
FIG. 2 is a top view thereof;
FIG. 3 is a bottom view thereof;
FIG. 4 is a right view thereof;
FIG. 5 is a left view thereof;
FIG. 6 is a front view thereof; and,
FIG. 7 is a rear view thereof.
The broken line showing in the drawings is included for the purpose of illustrating unclaimed portions of the light fixture and forms no part of the claimed design.

1 Claim, 4 Drawing Sheets



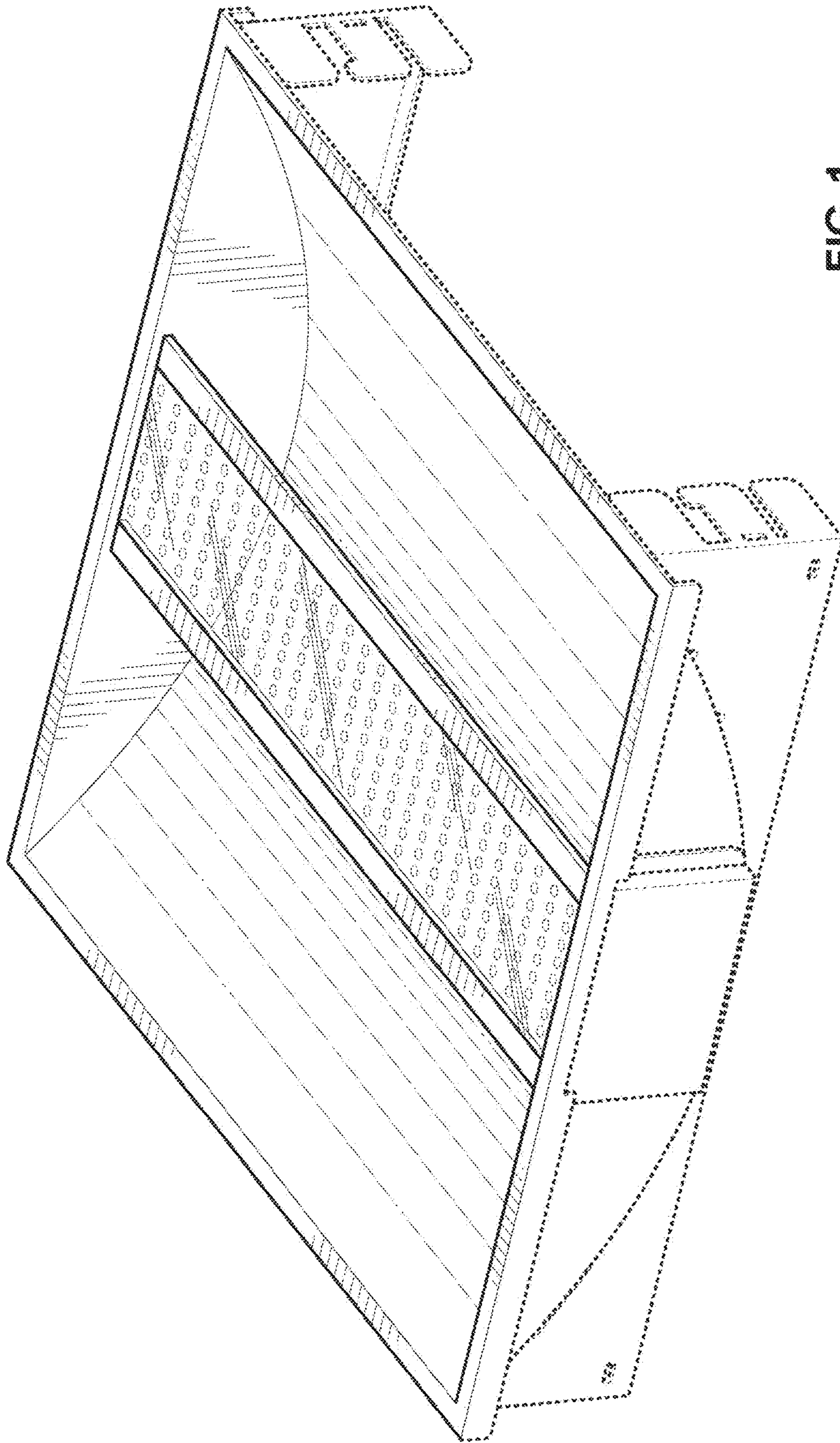


FIG. 1

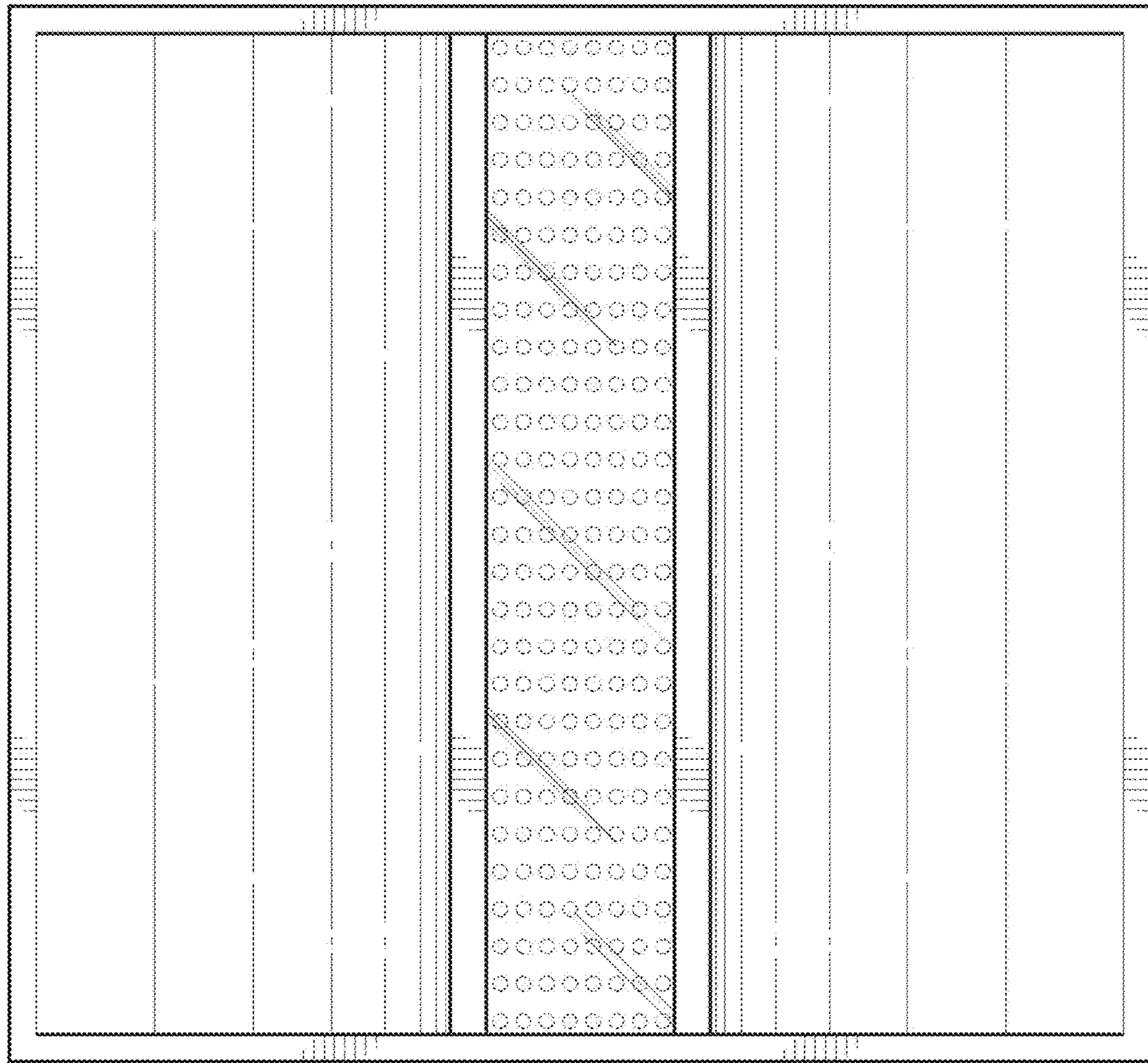


FIG. 2

FIG. 3

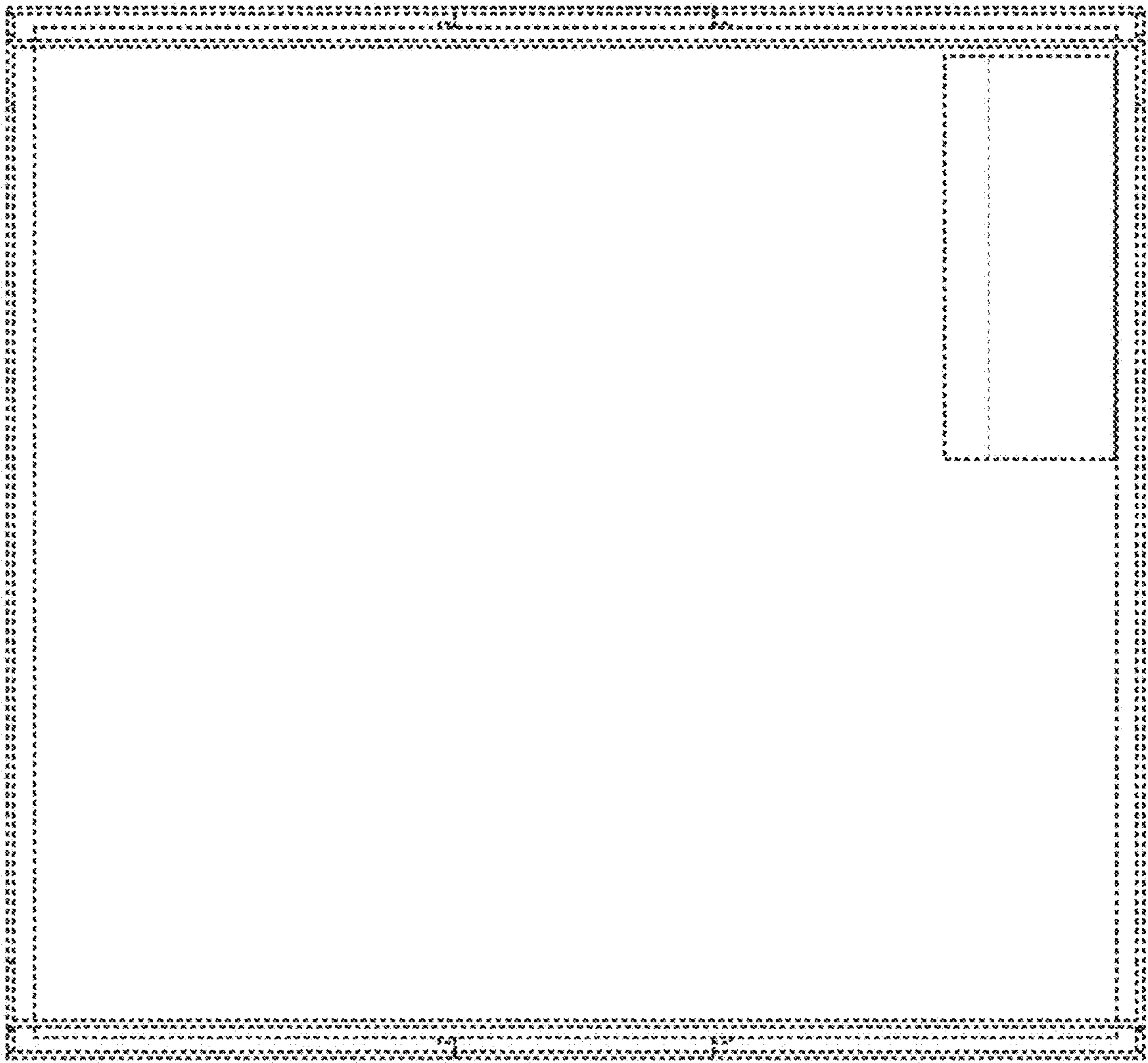


FIG. 4

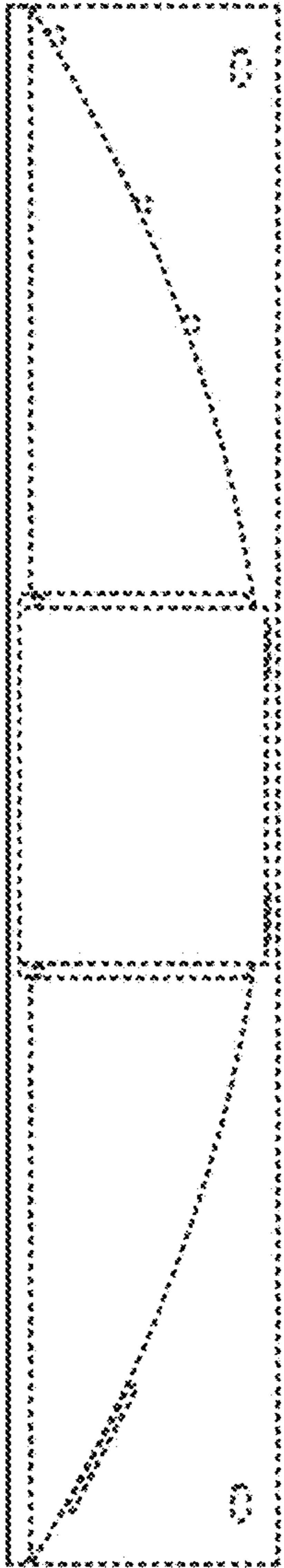


FIG. 5

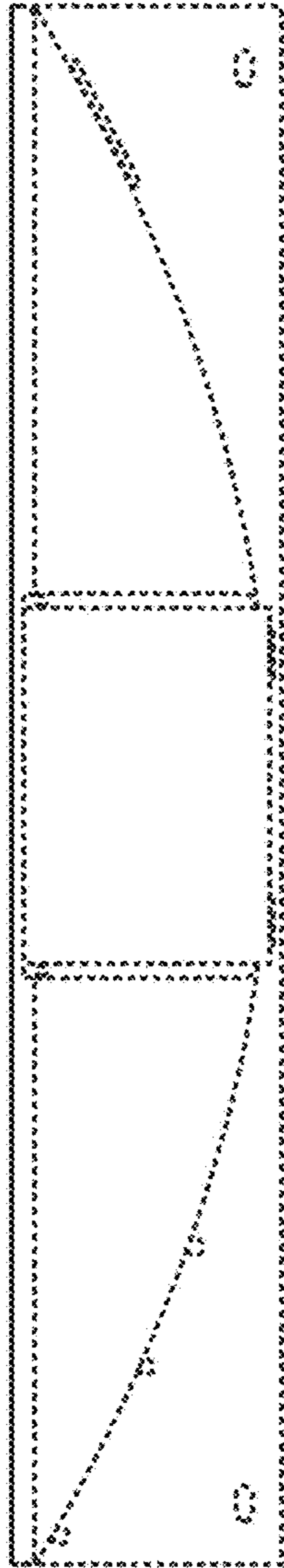


FIG. 6

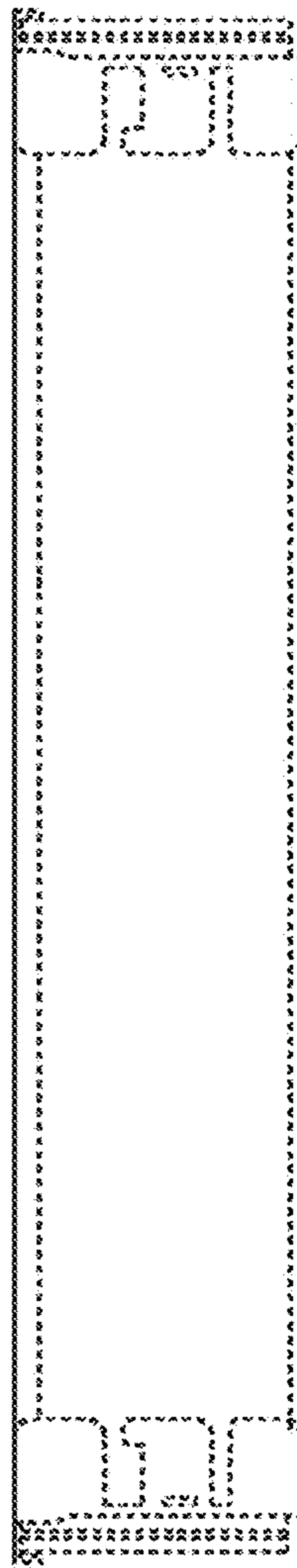


FIG. 7

