



US00D862786S

(12) **United States Design Patent** (10) **Patent No.:** **US D862,786 S**
Altamura et al. (45) **Date of Patent:** **** Oct. 8, 2019**

(54) **LOWER PORTION OF A STAKE FOR GROUND-INSERTED LIGHTING**
(71) Applicant: **Seasonal Specialties, LLC**, Eden Prairie, MN (US)
(72) Inventors: **Steven Altamura**, Scarsdale, NY (US); **Weng Yunbing**, Taizhou (CN); **Chen YongTai**, WenLin (CN)
(73) Assignee: **Seasonal Specialties, LLC**, Eden Prairie, MN (US)

5,178,454 A * 1/1993 Lai F21V 33/0028 362/153
D333,526 S * 2/1993 Taylor D26/138
D340,626 S * 10/1993 Zeman D21/840
5,280,417 A 1/1994 Hall
D365,169 S * 12/1995 Fillipp D21/718
D380,569 S * 7/1997 Garber D21/840
D493,205 S * 7/2004 Combes D21/840
6,902,292 B2 6/2005 Lai
6,938,384 B1 * 9/2005 Hodge E04H 15/62 135/118
D632,414 S 2/2011 Croce
D652,975 S 1/2012 Harshaw
D672,484 S 12/2012 Chen
D698,478 S 1/2014 Randolph
D706,893 S * 6/2014 Diederich D21/840
D804,715 S * 12/2017 Lentine D26/142
D830,621 S * 10/2018 Jadhav D26/118

(**) Term: **15 Years**
(21) Appl. No.: **29/663,133**

(22) Filed: **Sep. 12, 2018**

Related U.S. Application Data

(62) Division of application No. 29/591,327, filed on Jan. 19, 2017, now Pat. No. Des. 828,948.

(51) **LOC (12) Cl.** **26-99**

(52) **U.S. Cl.**
USPC **D26/118**

(58) **Field of Classification Search**
USPC D26/1, 24, 61, 63, 65, 67, 85, 92, 113, D26/118, 138, 142, 145, 155; D21/718, D21/840

CPC F21V 21/14; F21V 15/01; F21V 14/02; F21V 21/30; F21V 21/00; F21V 14/00; F21V 17/02; F21V 21/12; F21V 21/08; F21S 8/00; F21S 8/003; F21S 8/043; F21S 8/081; F21Y 2105/001; E04H 15/62
See application file for complete search history.

(56) **References Cited**

U.S. PATENT DOCUMENTS

D282,104 S * 1/1986 Taylor D26/138
D285,409 S * 9/1986 Lemkin D26/138

(Continued)

Primary Examiner — Brian N. Vinson
(74) *Attorney, Agent, or Firm* — Hamre, Schumann, Mueller & Larson, P.C.

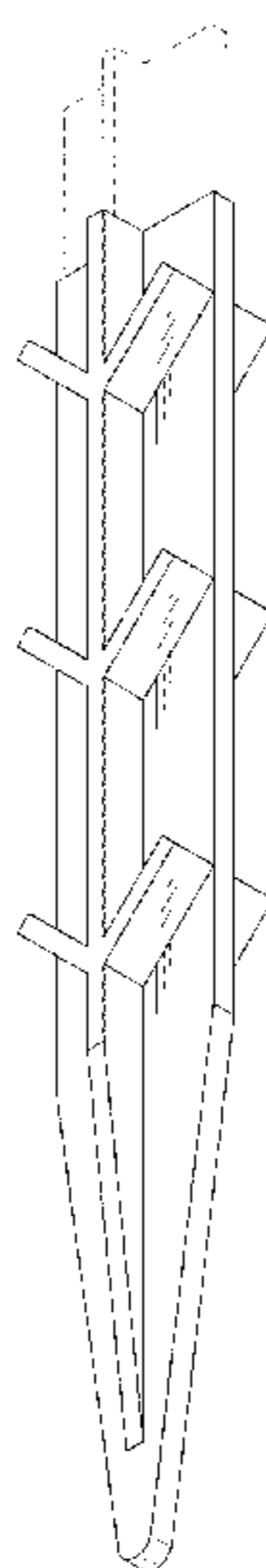
(57) **CLAIM**

The ornamental design for a lower portion of a stake for ground-inserted lighting, as shown and described.

DESCRIPTION

FIG. 1 is a perspective view of a lower portion of a stake for ground-inserted lighting.
FIG. 2 is a left side planar view of FIG. 1 thereof.
FIG. 3 is a right side planar view of FIG. 1 thereof.
FIG. 4 is a front planar view of FIG. 1 thereof.
FIG. 5 is a back planar view of FIG. 1 thereof.
FIG. 6 is a top planar view of FIG. 1 thereof; and, FIG. 7 is a bottom planar view of FIG. 1 thereof.
The broken line disclosure represents portions of the stake which form no part of the claimed design.

1 Claim, 4 Drawing Sheets



(56)

References Cited

U.S. PATENT DOCUMENTS

D839,696 S * 2/2019 Riddle D21/840
2016/0025309 A1 1/2016 Zhang

* cited by examiner

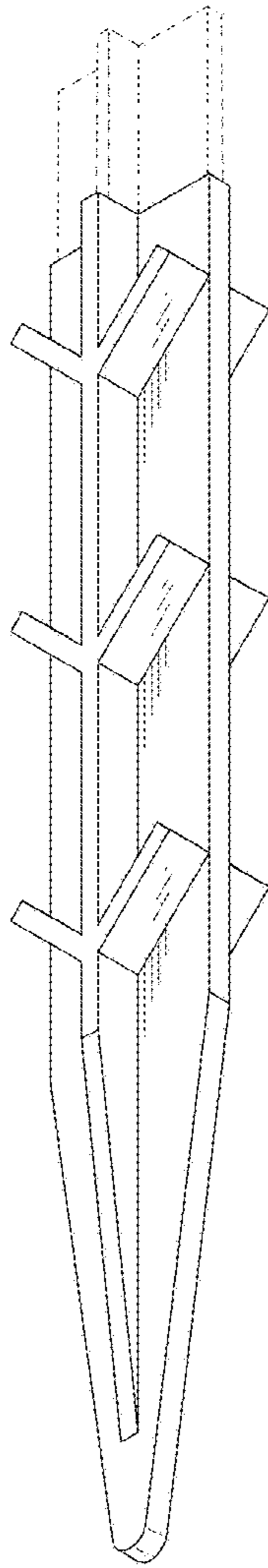


FIG. 1

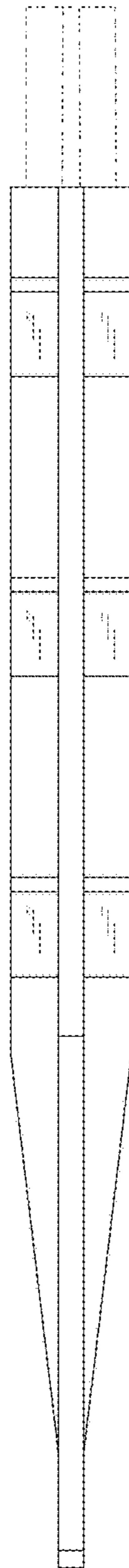


FIG. 2

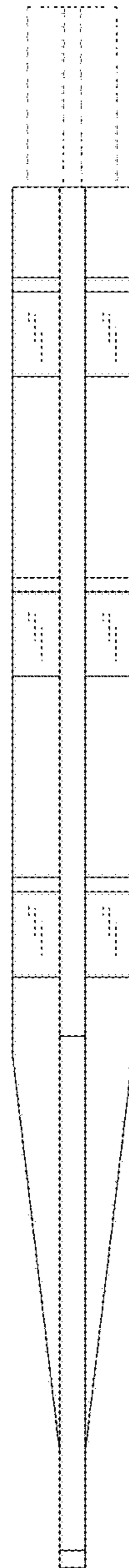


FIG. 3

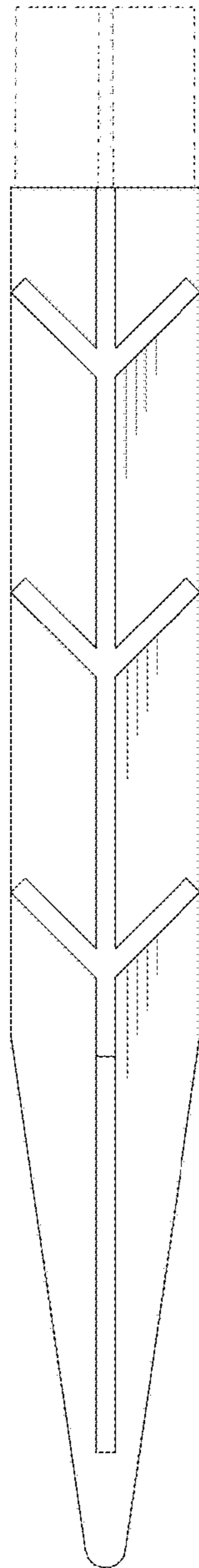


FIG. 4

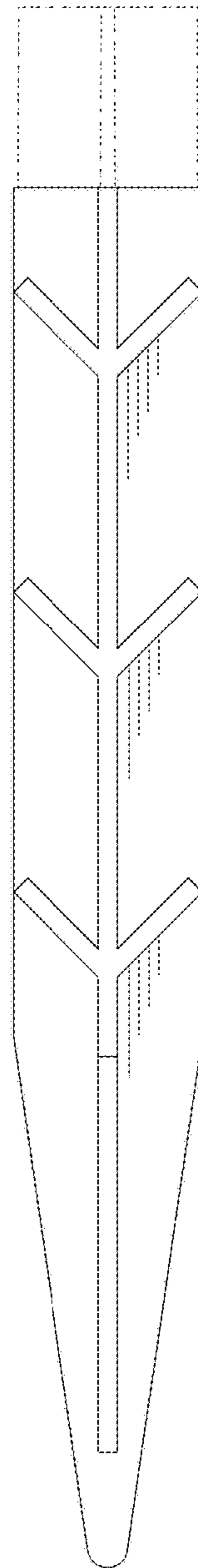


FIG. 5

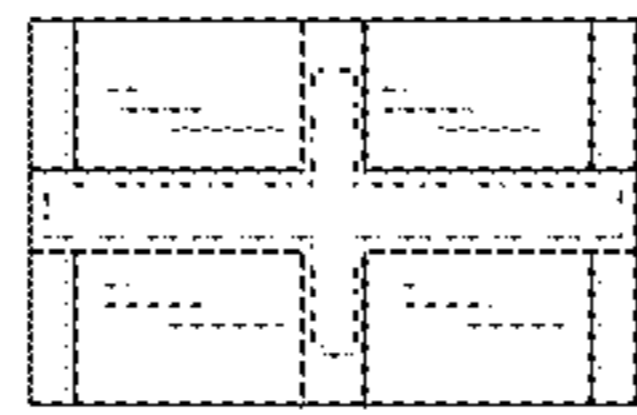


FIG. 6

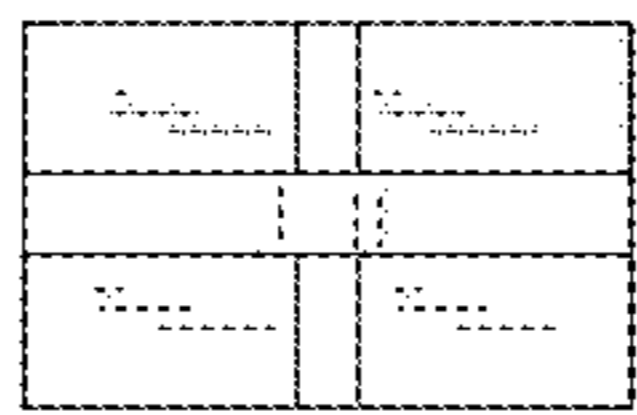


FIG. 7