

US00D862784S

(12) **United States Design Patent** (10) **Patent No.:** **US D862,784 S**  
**Altamura et al.** (45) **Date of Patent:** **\*\* Oct. 8, 2019**

- (54) **LIGHT GLOBE HEAD AND SUPPORT**
- (71) Applicant: **Seasonal Specialties, LLC**, Eden Prairie, MN (US)
- (72) Inventors: **Steven Altamura**, Scarsdale, NY (US); **Weng Yunbing**, Taizhou (CN); **Chen YongTai**, WenLin (CN)
- (73) Assignee: **Seasonal Specialties, LLC**, Eden Prairie, MN (US)
- (\*\*) Term: **15 Years**
- (21) Appl. No.: **29/663,116**
- (22) Filed: **Sep. 12, 2018**

- D333,526 S \* 2/1993 Taylor ..... D26/138
- D333,529 S \* 2/1993 Denison ..... D26/63
- 5,280,417 A \* 1/1994 Hall ..... F21S 8/081  
362/153
- D413,996 S \* 9/1999 Andrus ..... D26/63
- 6,612,720 B1 \* 9/2003 Beadle ..... F21V 17/02  
362/287
- 6,902,292 B2 \* 6/2005 Lai ..... F21S 8/081  
362/153
- D574,532 S \* 8/2008 Lee ..... D26/63
- D615,229 S \* 5/2010 van Klinken ..... D26/63
- D632,414 S \* 2/2011 Croce
- D641,904 S \* 7/2011 Winstanley ..... D26/63
- D652,975 S \* 1/2012 Harshaw
- D672,484 S 12/2012 Chen
- D698,478 S 1/2014 Randolph
- D706,893 S \* 6/2014 Diederich ..... D21/840
- D777,963 S \* 1/2017 Helms ..... D26/63
- D797,975 S \* 9/2017 Lentine ..... D26/63
- D820,490 S \* 6/2018 Altamura ..... D26/63

(Continued)

**Related U.S. Application Data**

- (62) Division of application No. 29/591,327, filed on Jan. 19, 2017, now Pat. No. Des. 828,948.
- (51) **LOC (12) Cl.** ..... **26-99**
- (52) **U.S. Cl.**  
USPC ..... **D26/118; D26/67**
- (58) **Field of Classification Search**  
USPC ..... D26/1, 24, 61, 63, 65, 67, 85, 92, 113,  
D26/118, 138, 142, 145, 155; D21/718,  
D21/840  
CPC ..... F21V 21/14; F21V 15/01; F21V 14/02;  
F21V 21/30; F21V 21/00; F21V 14/00;  
F21V 17/02; F21V 21/12; F21V 21/08;  
F21S 8/00; F21S 8/003; F21S 8/043;  
F21S 8/081; F21Y 2105/001  
See application file for complete search history.

*Primary Examiner* — Brian N. Vinson  
(74) *Attorney, Agent, or Firm* — Hamre, Schumann,  
Mueller & Larson, P.C.

(57) **CLAIM**

The ornamental design for a light globe head and support, as shown and described.

**DESCRIPTION**

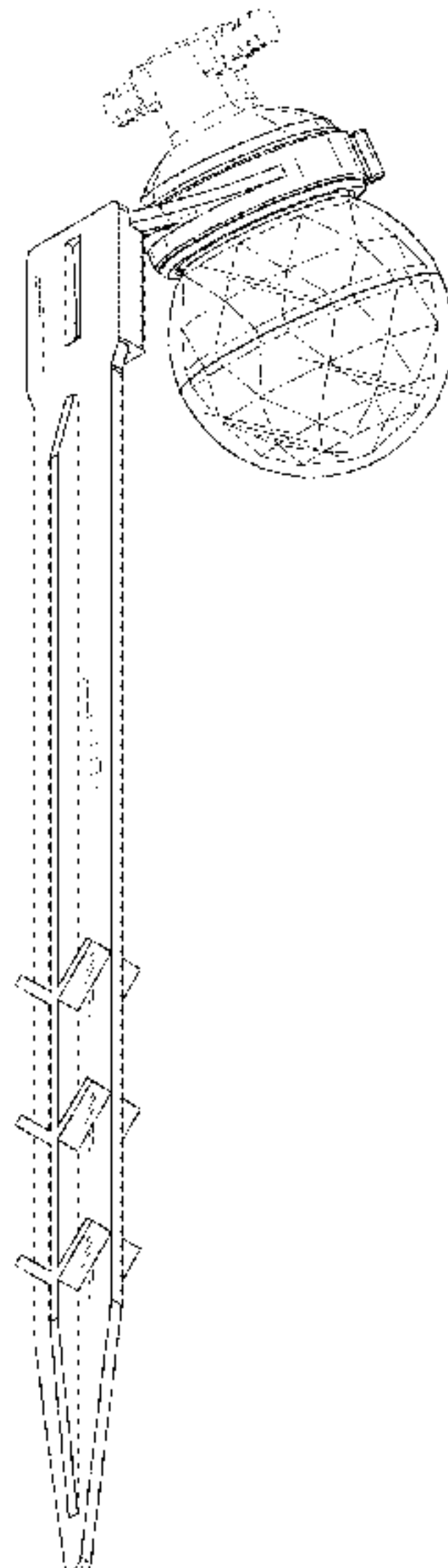
FIG. 1 is a perspective view of a light globe head and support showing our new design.  
FIG. 2 is a left side planar view of FIG. 1 thereof.  
FIG. 3 is a right side planar view of FIG. 1 thereof.  
FIG. 4 is a back planar view of FIG. 1 thereof.  
FIG. 5 is a front planar view of FIG. 1 thereof.  
FIG. 6 is a top planar view of FIG. 1 thereof; and,  
FIG. 7 is a bottom planar view of FIG. 1 thereof.  
The broken line disclosure represents portions of the head and support which form no part of the claimed design.

(56) **References Cited**

**U.S. PATENT DOCUMENTS**

- D282,104 S \* 1/1986 Taylor ..... D26/138
- 5,178,454 A \* 1/1993 Lai ..... F21V 21/12  
362/153

**1 Claim, 4 Drawing Sheets**



(56)

**References Cited**

U.S. PATENT DOCUMENTS

D837,429 S *	1/2019	Yu .....	D26/63
D838,890 S *	1/2019	Xiong .....	D26/63
2016/0025309 A1*	1/2016	Zhang .....	F21V 21/08 362/382

\* cited by examiner

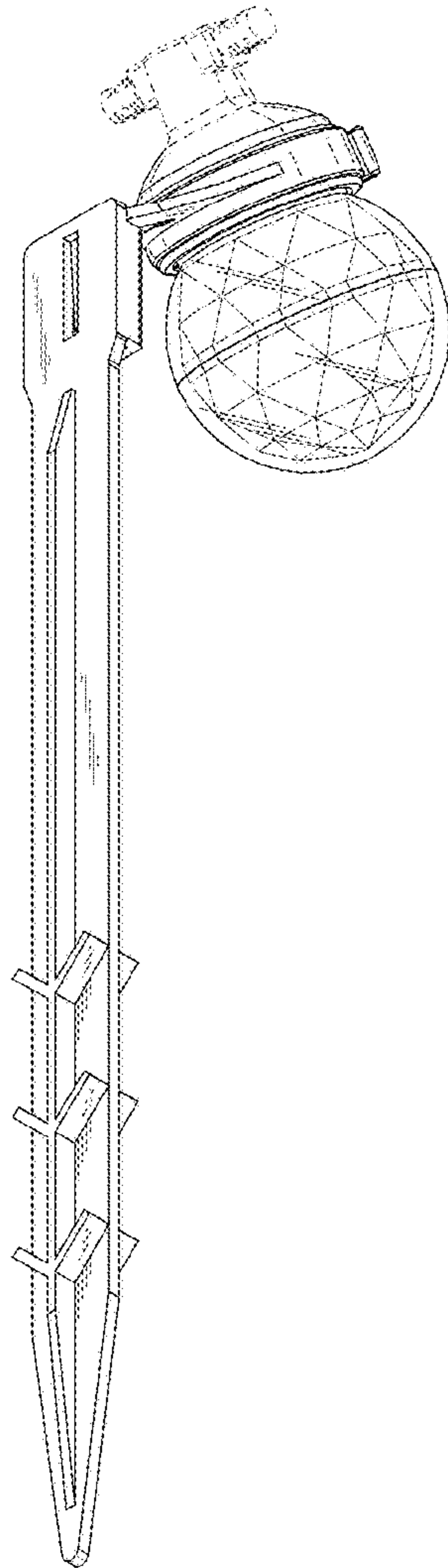
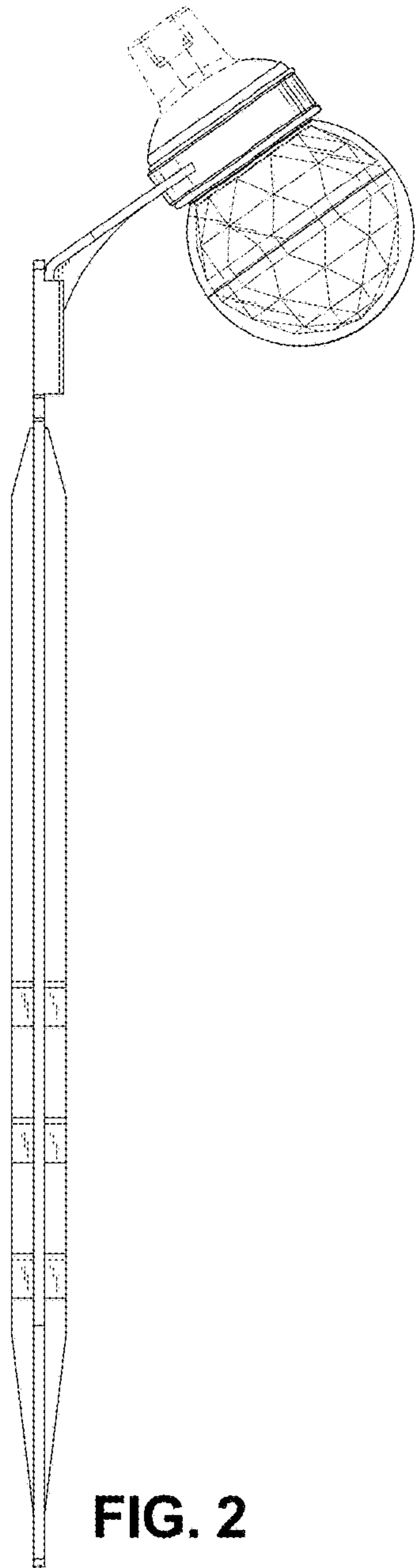
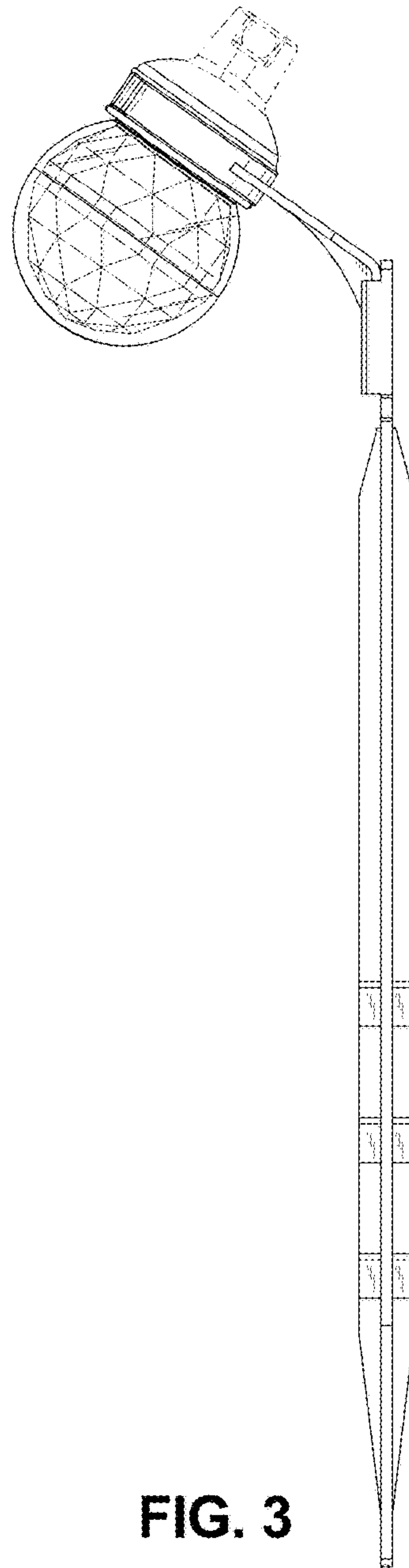


FIG. 1



**FIG. 2**



**FIG. 3**

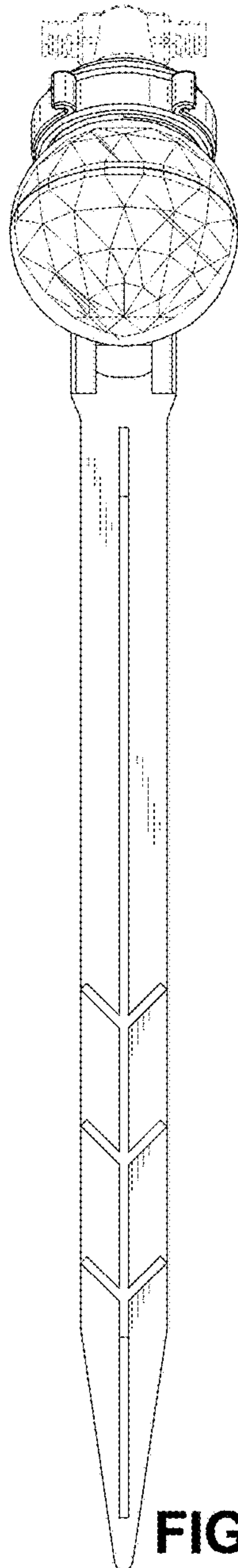


FIG. 4

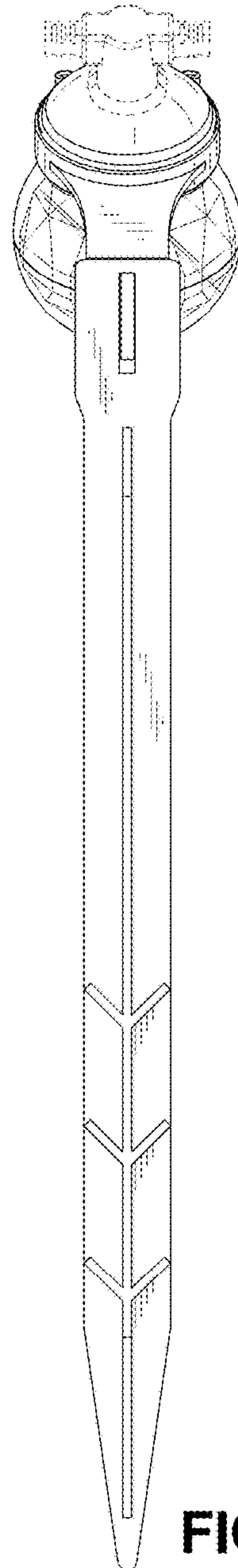
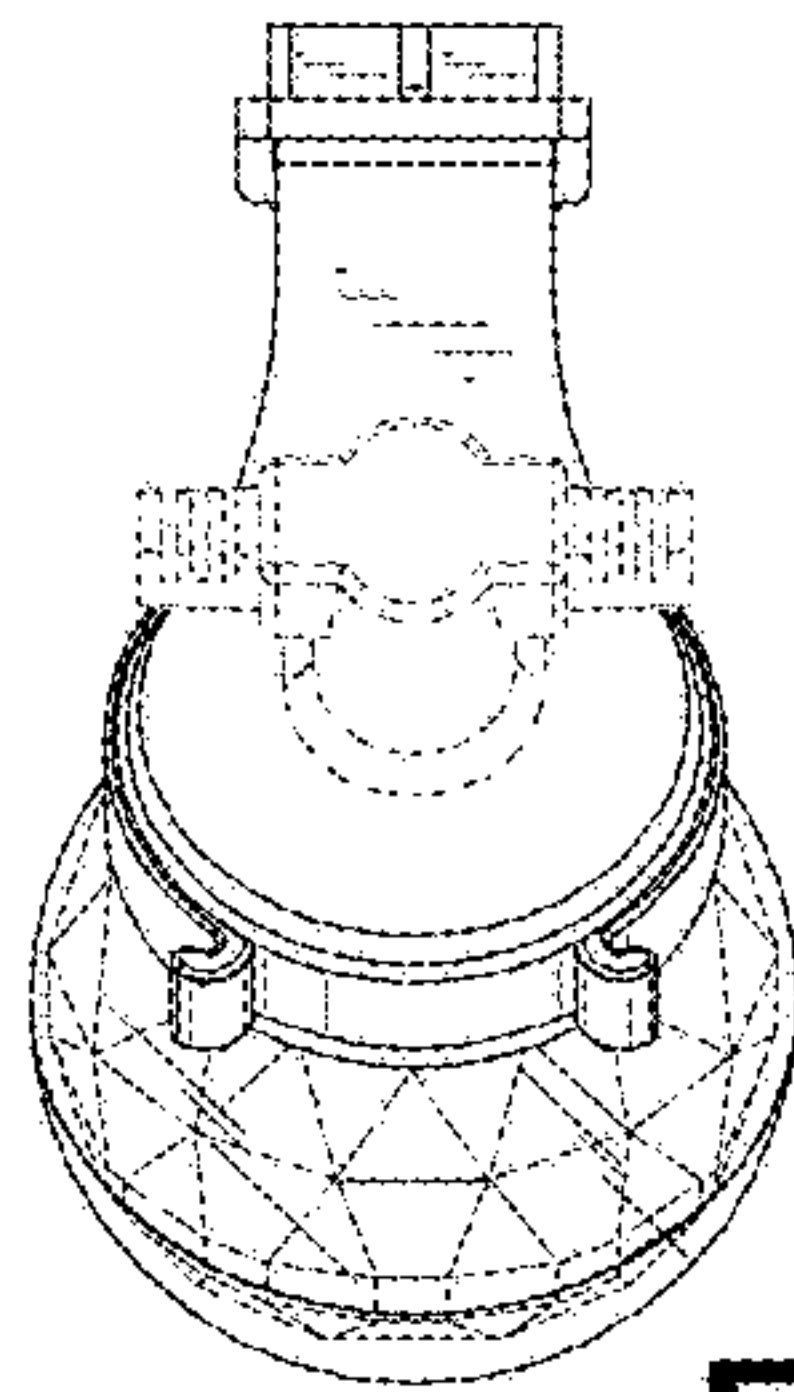
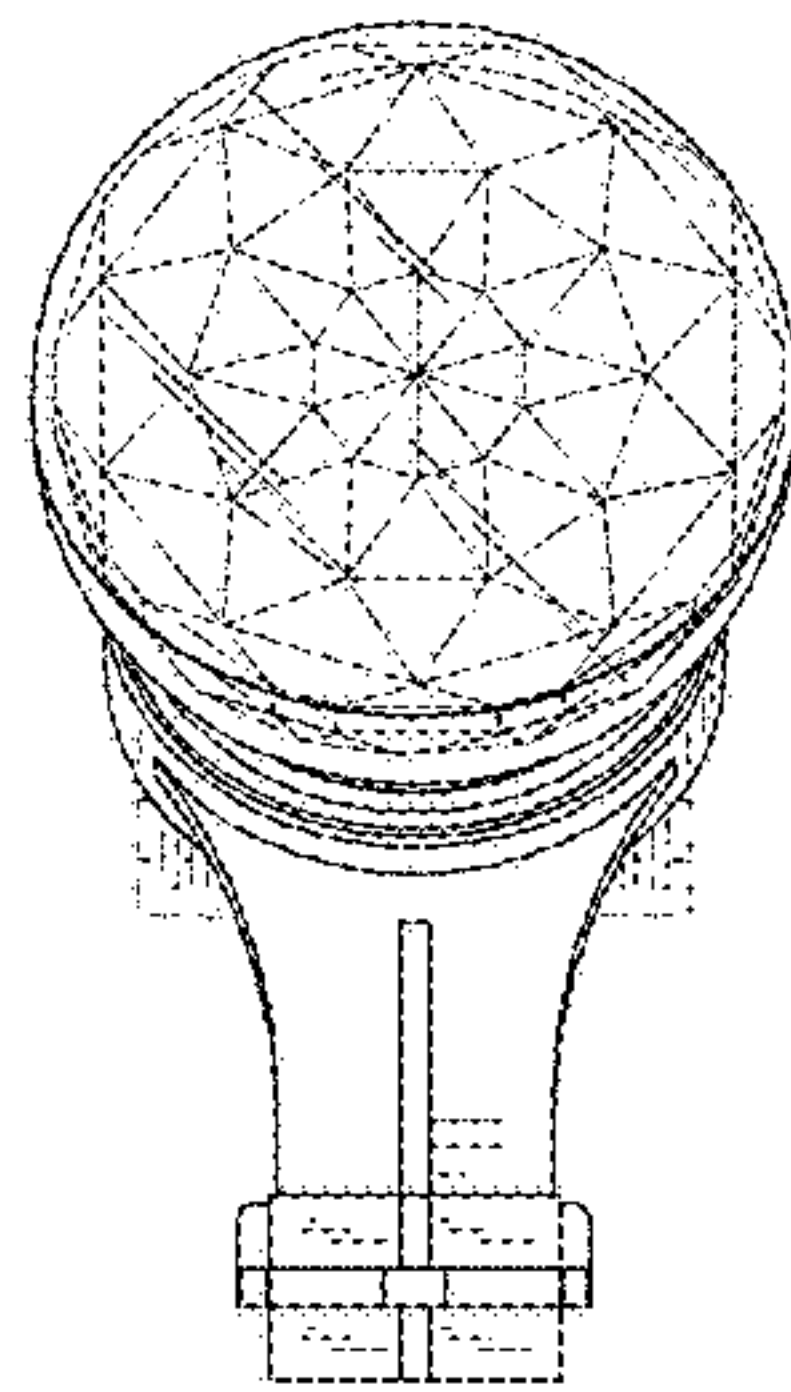


FIG. 5



**FIG. 6**



**FIG. 7**