



US00D862783S

(12) **United States Design Patent** (10) **Patent No.:** **US D862,783 S**  
**Altamura et al.** (45) **Date of Patent:** **\*\* Oct. 8, 2019**

(54) **CONNECTING ELEMENT BETWEEN PROJECTOR HEAD YOKE AND STAKE FOR GROUND-INSERTED LIGHTING**

(71) Applicant: **Seasonal Specialties, LLC**, Eden Prairie, MN (US)

(72) Inventors: **Steven J. Altamura**, Scarsdale, NY (US); **Weng Yunbing**, Taizhou (CN); **Chen YongTai**, WenLin (CN)

(73) Assignee: **Seasonal Specialties, LLC**, Eden Prairie, MN (US)

(\*\*) Term: **15 Years**

(21) Appl. No.: **29/642,719**

(22) Filed: **Apr. 2, 2018**

**Related U.S. Application Data**

(62) Division of application No. 29/583,073, filed on Nov. 2, 2016, now Pat. No. Des. 814,680.

(51) **LOC (12) Cl.** ..... **26-99**

(52) **U.S. Cl.**  
USPC ..... **D26/118**

(58) **Field of Classification Search**  
USPC ..... D26/1, 24, 61, 63, 65, 67, 85, 92, 113, D26/118, 138, 142, 145, 155; D21/718, D21/840

CPC ..... F21V 21/14; F21V 15/01; F21V 14/02; F21V 21/30; F21V 21/00; F21V 14/00; F21V 17/02; F21V 21/12; F21V 21/08; F21S 8/00; F21S 8/003; F21S 8/043; F21S 8/081; F21Y 2105/001; E04H 15/62  
See application file for complete search history.

(56) **References Cited**

**U.S. PATENT DOCUMENTS**

1,800,301 A \* 4/1931 Larson ..... B64D 47/04 362/371  
3,104,064 A \* 9/1963 Bellek ..... F21S 8/081 362/267

D208,878 S \* 10/1967 Monbaron ..... D26/140  
D327,548 S \* 6/1992 Wereley ..... D26/140  
D369,877 S \* 5/1996 Lupien ..... D26/63  
D370,070 S \* 5/1996 Kay ..... D26/63  
D370,080 S \* 5/1996 Stultz ..... D26/140  
5,599,091 A \* 2/1997 Kira ..... F21V 21/30 362/269

D413,996 S \* 9/1999 Andrus ..... D26/63  
D414,579 S \* 9/1999 Denison ..... D26/63

(Continued)

**OTHER PUBLICATIONS**

<https://www.athome.com/santa-led-projctr-spotlight/124212705.html#sz=225&start=1>; Santa LED Projctr Spotlight—At Home, pp. 1-2, Oct. 10, 2017.

*Primary Examiner* — Brian N. Vinson

(74) *Attorney, Agent, or Firm* — Hamre, Schumann, Mueller & Larson, P.C.

(57) **CLAIM**

The ornamental design for a connecting element between projector head yoke and stake for ground-inserted lighting, as shown and described.

**DESCRIPTION**

FIG. 1 is a perspective view of a connecting element between projector head yoke and stake for ground-inserted lighting showing our new design.

FIG. 2 is a perspective view thereof.

FIG. 3 is a right side view of FIG. 2 thereof.

FIG. 4 is a left side view of FIG. 2 thereof.

FIG. 5 is a front view of FIG. 2 thereof.

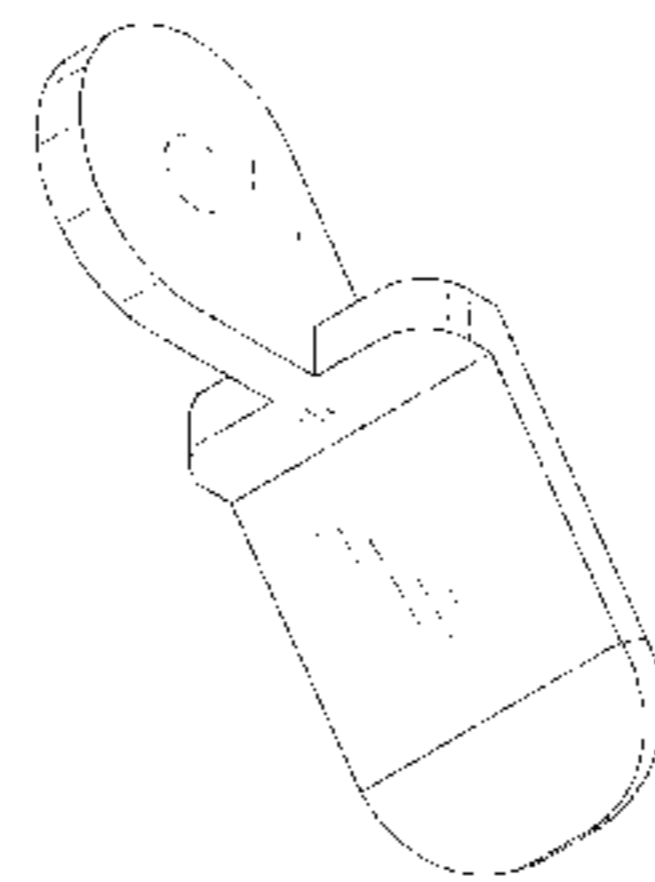
FIG. 6 is a rear view of FIG. 2 thereof.

FIG. 7 is a bottom view of FIG. 2 thereof; and,

FIG. 8 is a top view of FIG. 2 thereof.

The broken line disclosure represents portions of the projector head and stake which form no part of the claimed design.

**1 Claim, 5 Drawing Sheets**



(56)

**References Cited**

U.S. PATENT DOCUMENTS

D438,325 S \* 2/2001 Chen ..... D26/63  
6,612,720 B1 \* 9/2003 Beadle ..... F21V 17/02  
362/287  
6,902,292 B2 \* 6/2005 Lai ..... F21S 8/081  
362/153  
D542,959 S 5/2007 Yao  
D559,091 S 1/2008 Skorka  
D570,513 S \* 6/2008 Vice ..... D26/63  
D574,532 S 8/2008 Lee  
D615,229 S \* 5/2010 van Klinken ..... D26/63  
D625,871 S 10/2010 Huang  
D659,871 S 5/2012 Lee  
D773,707 S 12/2016 Lentine  
D800,938 S 10/2017 Guercio  
D819,434 S \* 6/2018 Sonneman ..... D8/394  
D820,490 S \* 6/2018 Altamura ..... D26/63  
D825,829 S \* 8/2018 Guo ..... D26/63  
D830,621 S \* 10/2018 Jadhav ..... D26/118  
2016/0025309 A1 \* 1/2016 Zhang ..... F21V 21/08  
362/382

\* cited by examiner

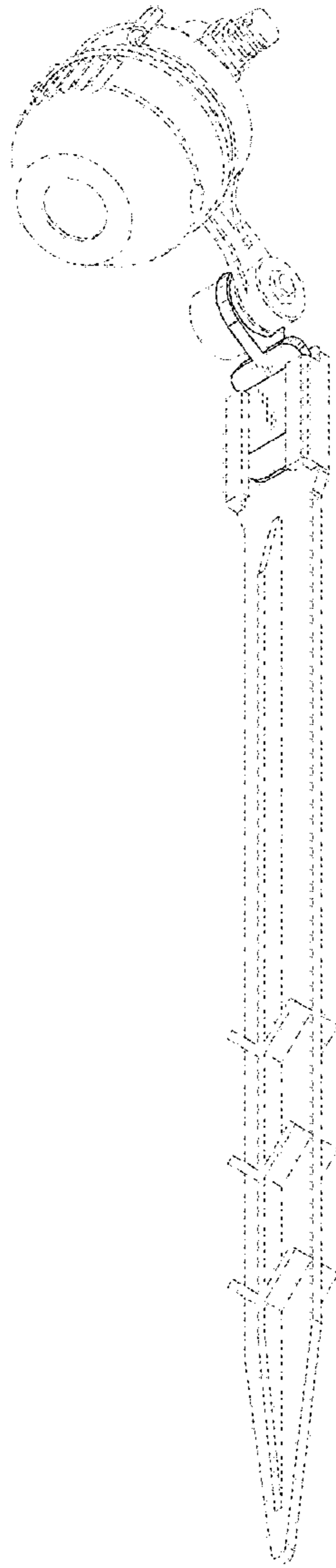
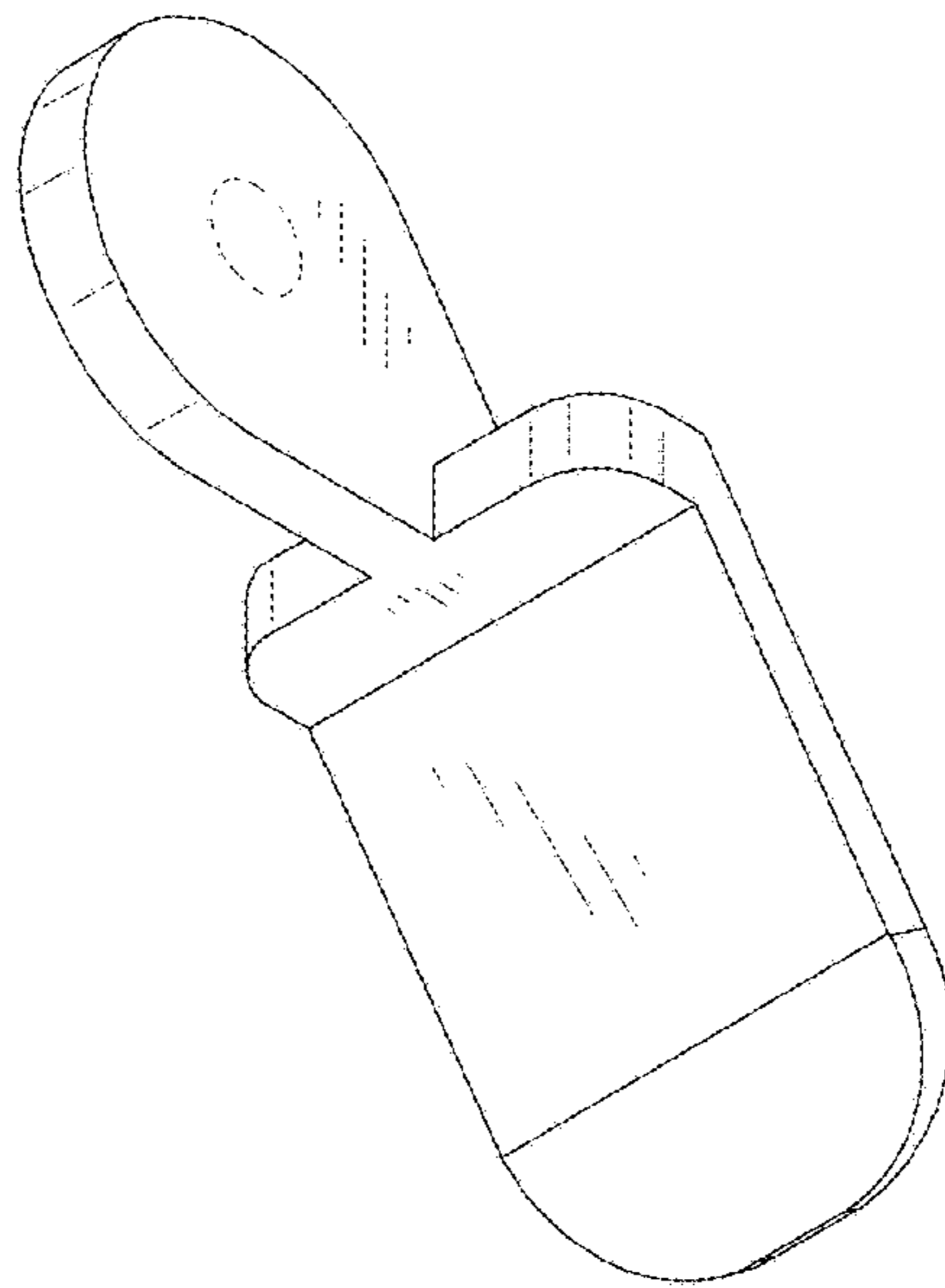
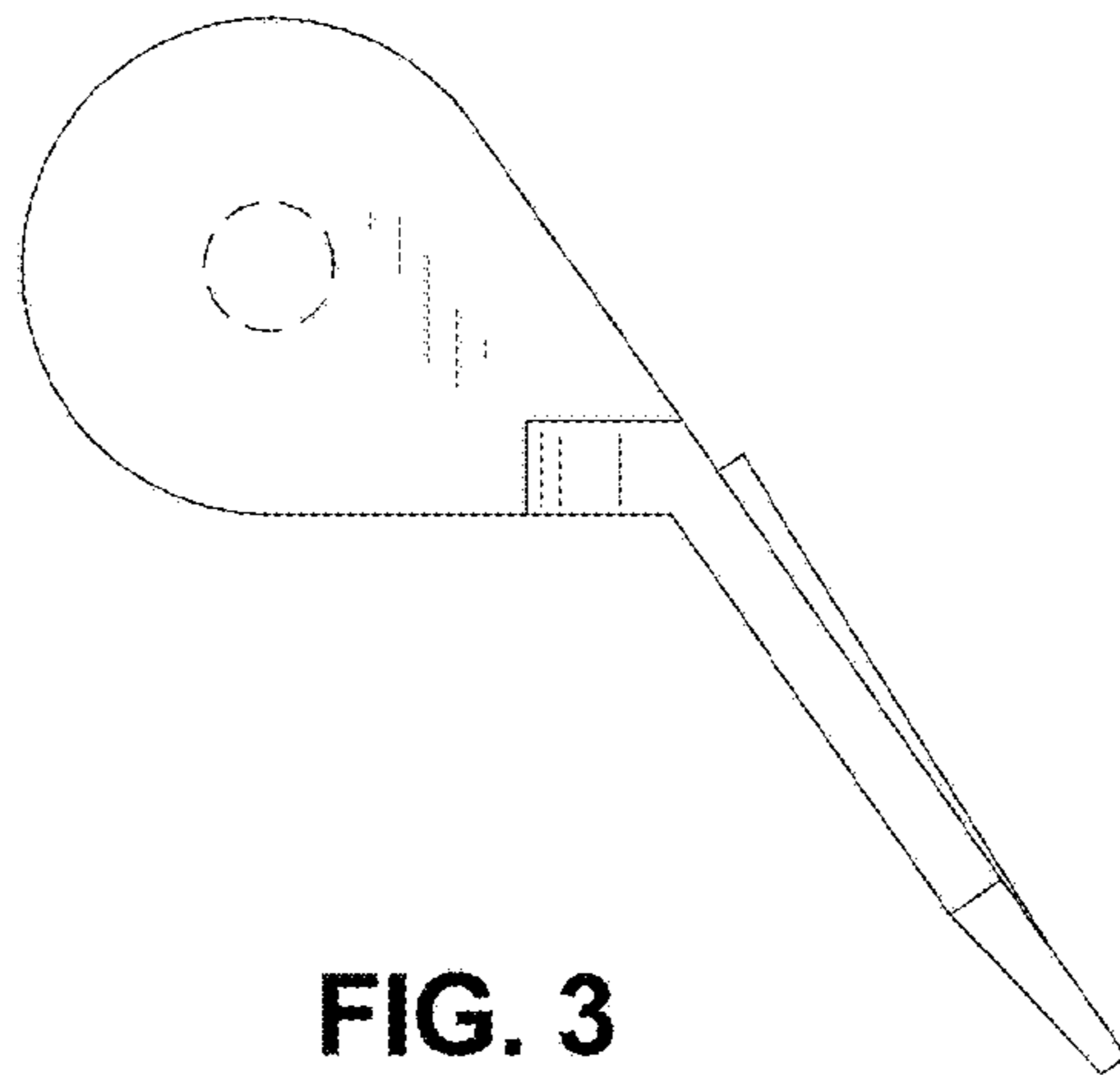


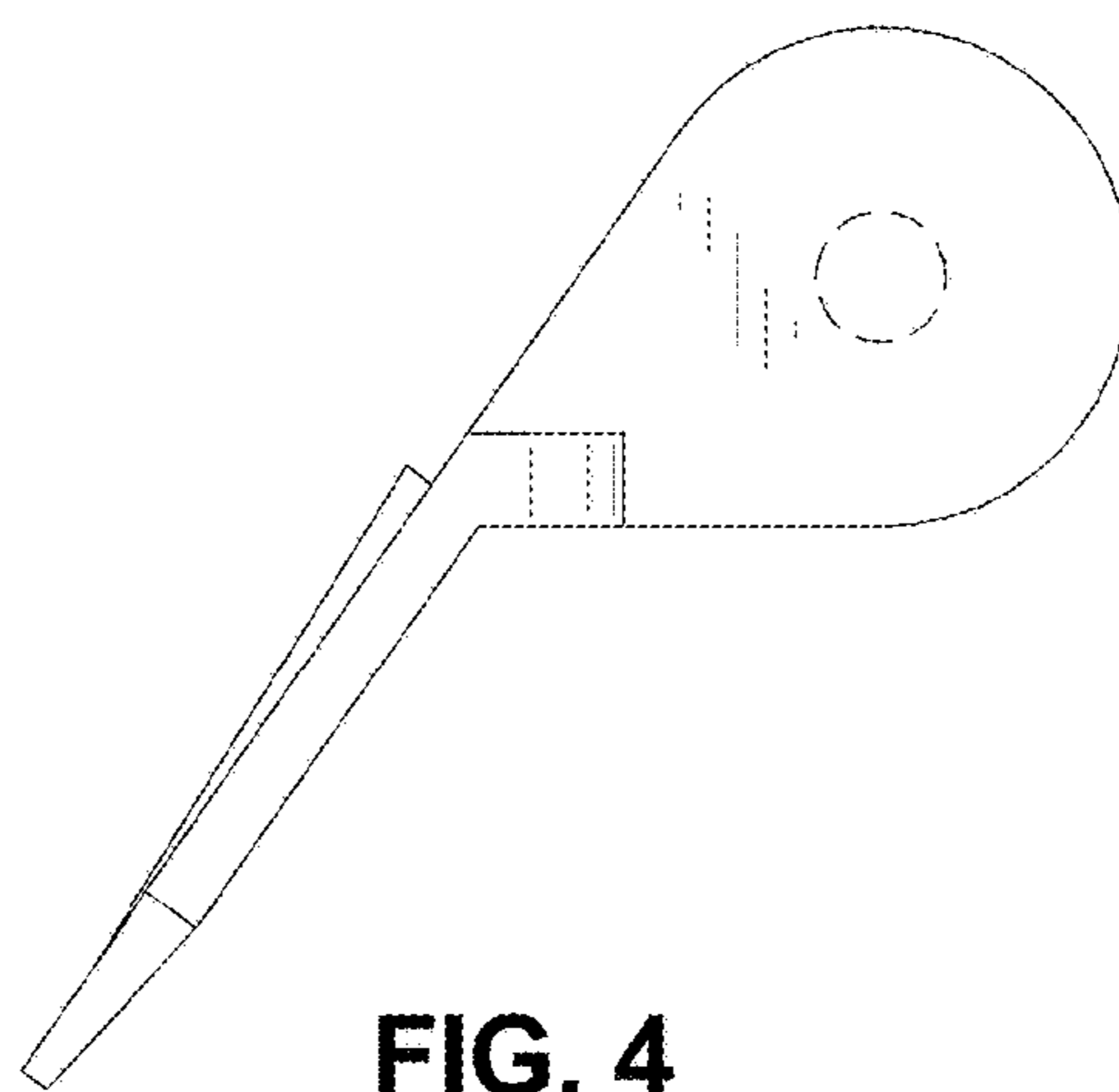
FIG. 1



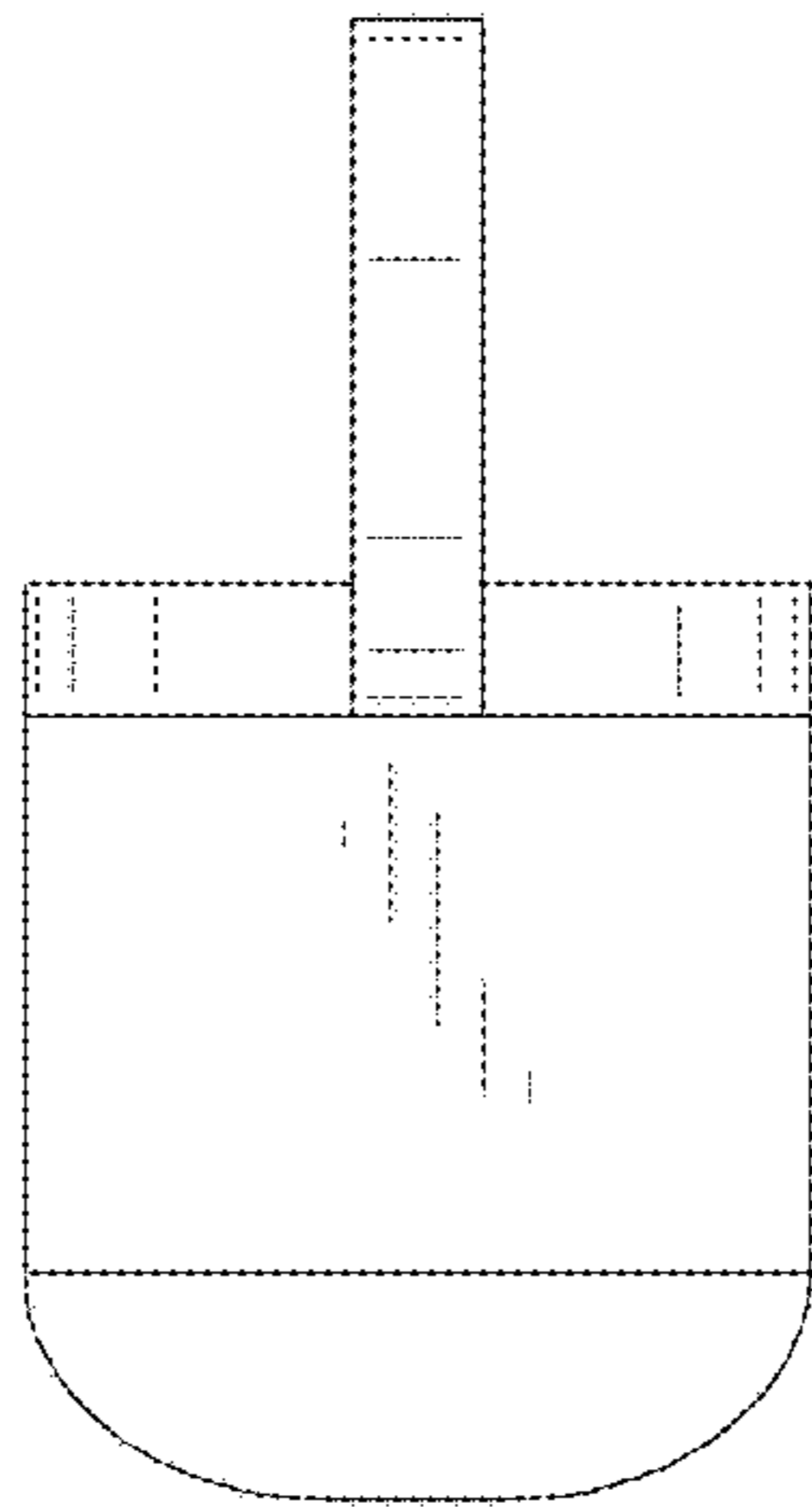
**FIG. 2**



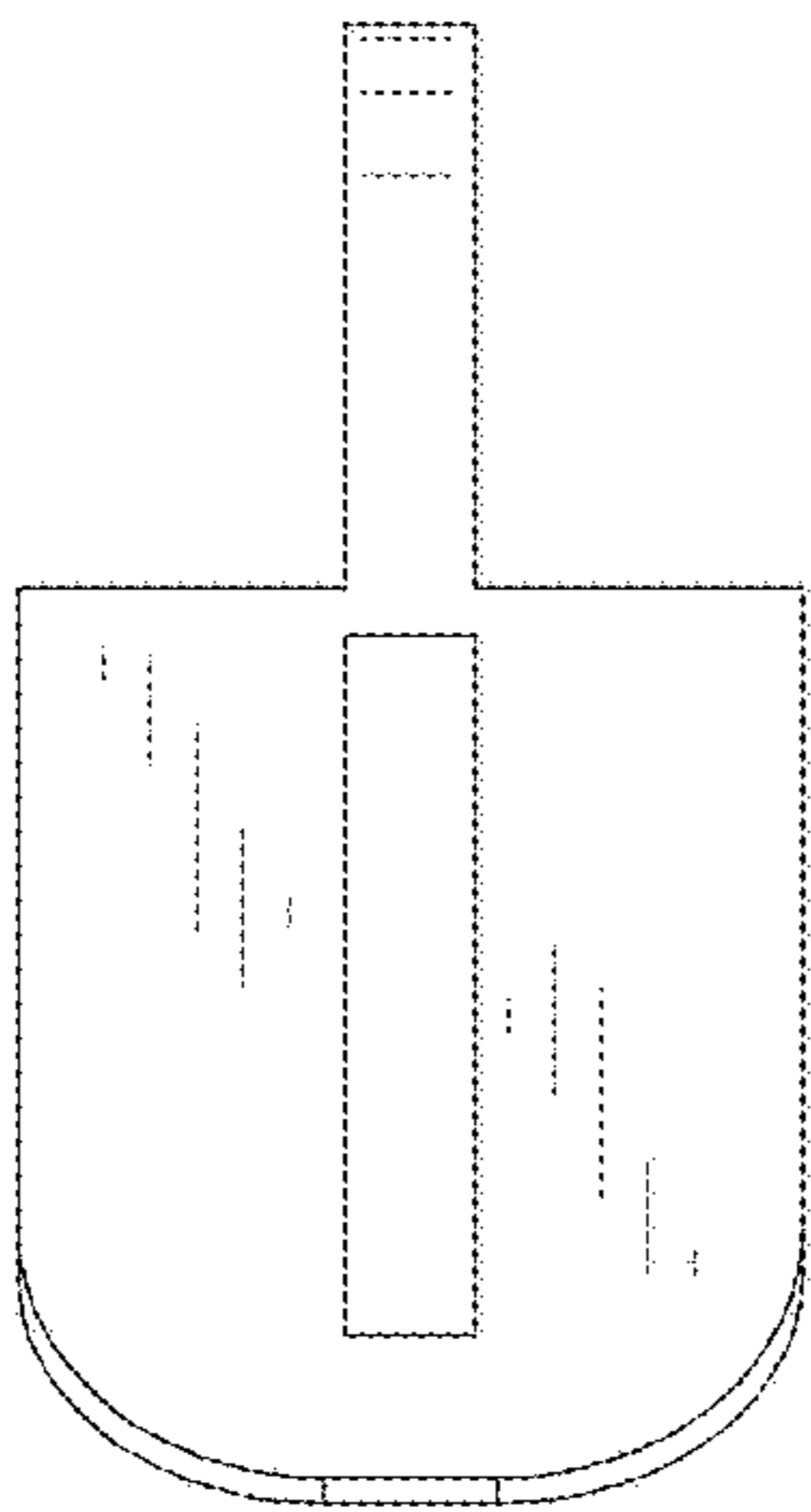
**FIG. 3**



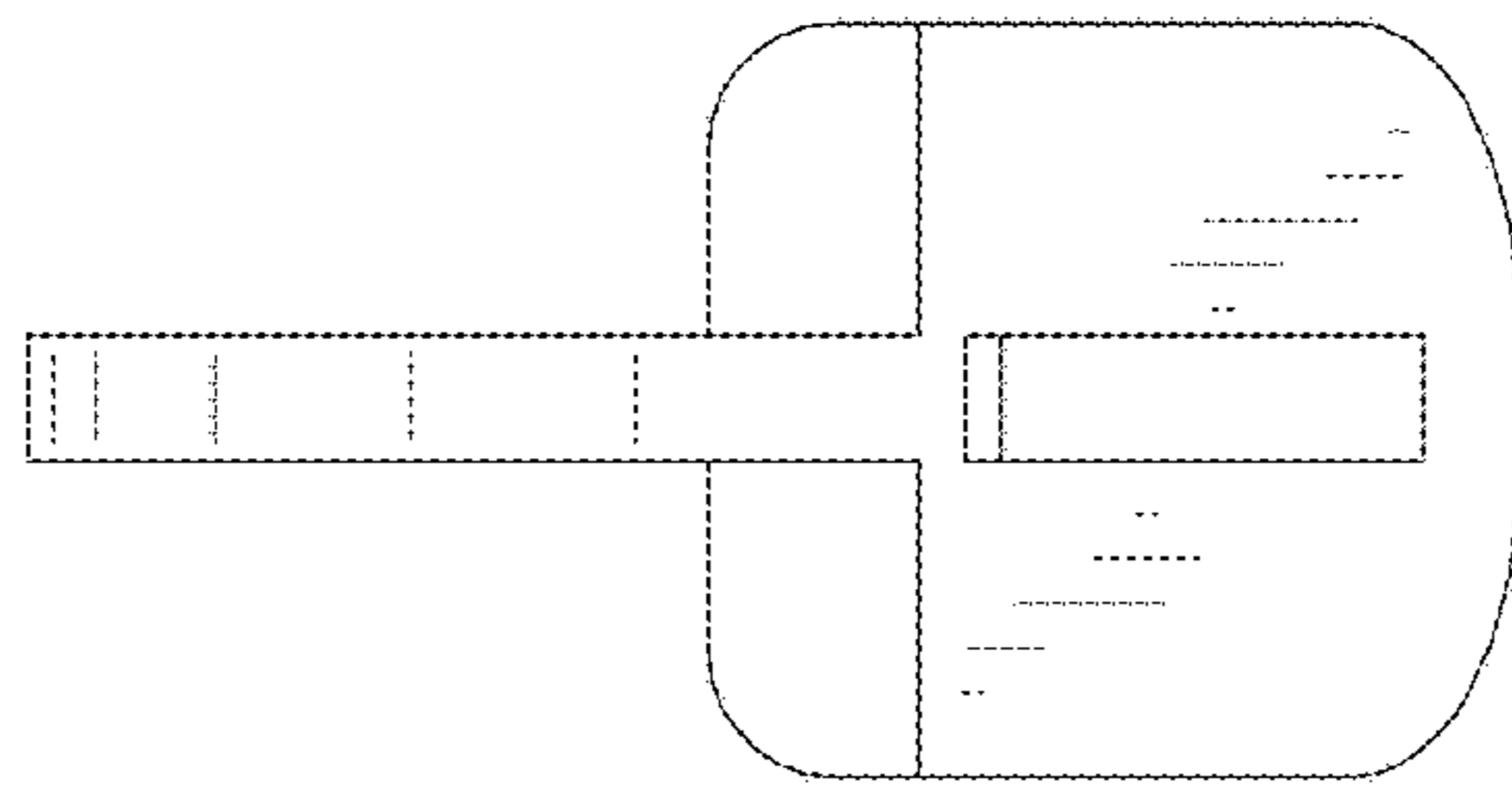
**FIG. 4**



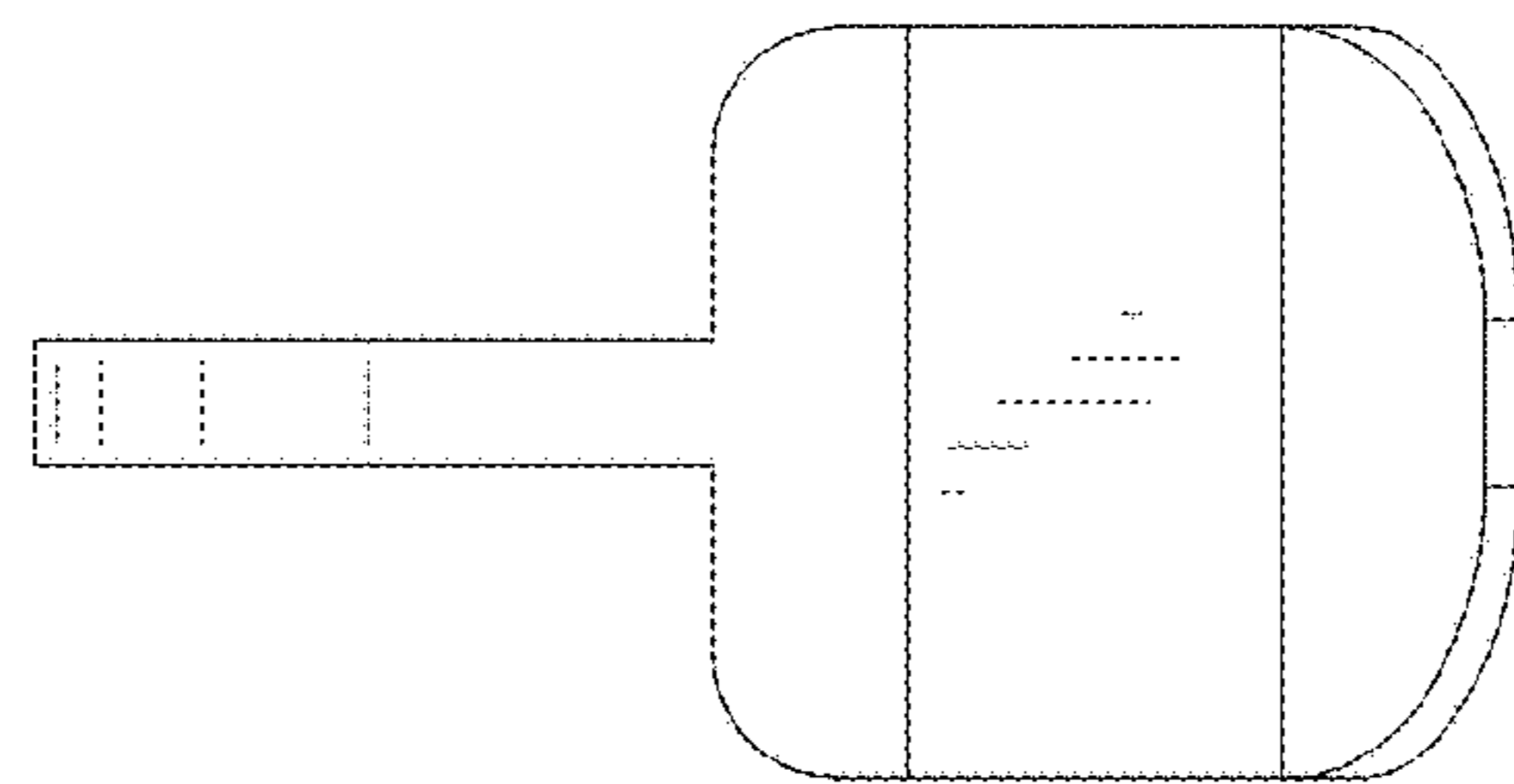
**FIG. 5**



**FIG. 6**



**FIG. 7**



**FIG. 8**