

US00D862782S

(12) **United States Design Patent** (10) **Patent No.:** **US D862,782 S**
Altamura et al. (45) **Date of Patent:** **** Oct. 8, 2019**

(54) **PROJECTOR HEAD YOKE FOR GROUND-INSERTED LIGHTING** D208,878 S * 10/1967 Monbaron D26/140
D327,548 S * 6/1992 Wereley D26/140
D369,877 S * 5/1996 Lupien D26/63
D370,070 S * 5/1996 Kay D26/63
D370,080 S * 5/1996 Stultz D26/140
5,599,091 A * 2/1997 Kira F21V 21/30
362/269
(71) Applicant: **Seasonal Specialties, LLC**, Eden Prairie, MN (US)
(72) Inventors: **Steven J. Altamura**, Scarsdale, NY (US); **Weng Yunbing**, Taizhou (CN); **Chen YongTai**, WenLin (CN)
D413,996 S * 9/1999 Andrus D26/63
D414,579 S * 9/1999 Denison D26/63
D438,325 S * 2/2001 Chen D26/63
(73) Assignee: **Seasonal Specialties, LLC**, Eden Prairie, MN (US)
(**) Term: **15 Years**
(21) Appl. No.: **29/642,715**
(22) Filed: **Apr. 2, 2018**
Related U.S. Application Data
(62) Division of application No. 29/583,073, filed on Nov. 2, 2016, now Pat. No. Des. 814,680.
(51) **LOC (12) Cl.** **26-99**
(52) **U.S. Cl.**
USPC **D26/118**
(58) **Field of Classification Search**
USPC D26/1, 24, 61, 63, 65, 67, 85, 92, 113, D26/118, 138, 142, 145, 155; D21/718, D21/840
CPC F21V 21/14; F21V 15/01; F21V 14/02; F21V 21/30; F21V 21/00; F21V 14/00; F21V 17/02; F21V 21/12; F21V 21/08; F21S 8/00; F21S 8/003; F21S 8/043; F21S 8/081; F21Y 2105/001; E04H 15/62
See application file for complete search history.
(56) **References Cited**
U.S. PATENT DOCUMENTS
1,800,301 A * 4/1931 Larson B64D 47/04
362/371
3,104,064 A * 9/1963 Bellek F21S 8/081
362/267

OTHER PUBLICATIONS

<https://www.athome.com/santa-led-projctr-spotlight/124212705.html#sz=225&start=1>; Santa LED Projctr Spotlight—At Home, pp. 1-2, Oct. 10, 2017.

Primary Examiner — Brian N. Vinson
(74) *Attorney, Agent, or Firm* — Hamre, Schumann, Mueller & Larson, P.C.

(57) **CLAIM**

The ornamental design for a projector head yoke for ground-inserted lighting, as shown and described.

DESCRIPTION

FIG. 1 is a perspective view of projector head yoke for ground-inserted lighting showing our new design.
FIG. 2 is a perspective view thereof.
FIG. 3 is a right side view of FIG. 2 thereof.
FIG. 4 is a left side view of FIG. 2 thereof.
FIG. 5 is a front view of FIG. 2 thereof.
FIG. 6 is a rear view of FIG. 2 thereof.
FIG. 7 is a bottom view of FIG. 2 thereof; and,
FIG. 8 is a top view of FIG. 2 thereof.
The broken line disclosure represents portions of the projector head and stake which form no part of the claimed design.

1 Claim, 4 Drawing Sheets



(56)

References Cited

U.S. PATENT DOCUMENTS

6,612,720 B1 * 9/2003 Beadle F21V 17/02
362/287
6,902,292 B2 * 6/2005 Lai F21S 8/081
362/153
D542,959 S 5/2007 Yao
D559,091 S 1/2008 Skorka
D570,513 S * 6/2008 Vice D26/63
D574,532 S 8/2008 Lee
D615,229 S * 5/2010 van Klinken D26/63
D625,871 S 10/2010 Huang
D659,871 S 5/2012 Lee
D773,707 S 12/2016 Lentine
D800,938 S 10/2017 Guercio
D819,434 S * 6/2018 Sonneman D8/394
D820,490 S * 6/2018 Altamura D26/63
D825,829 S * 8/2018 Guo D26/63
D830,621 S * 10/2018 Jadhav D26/118
2016/0025309 A1 * 1/2016 Zhang F21V 21/08
362/382

* cited by examiner

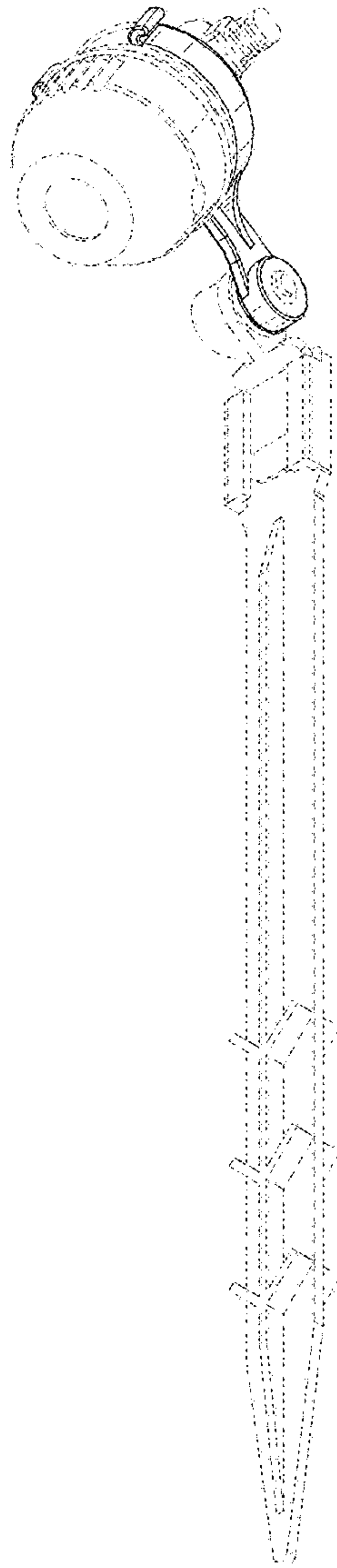


FIG. 1

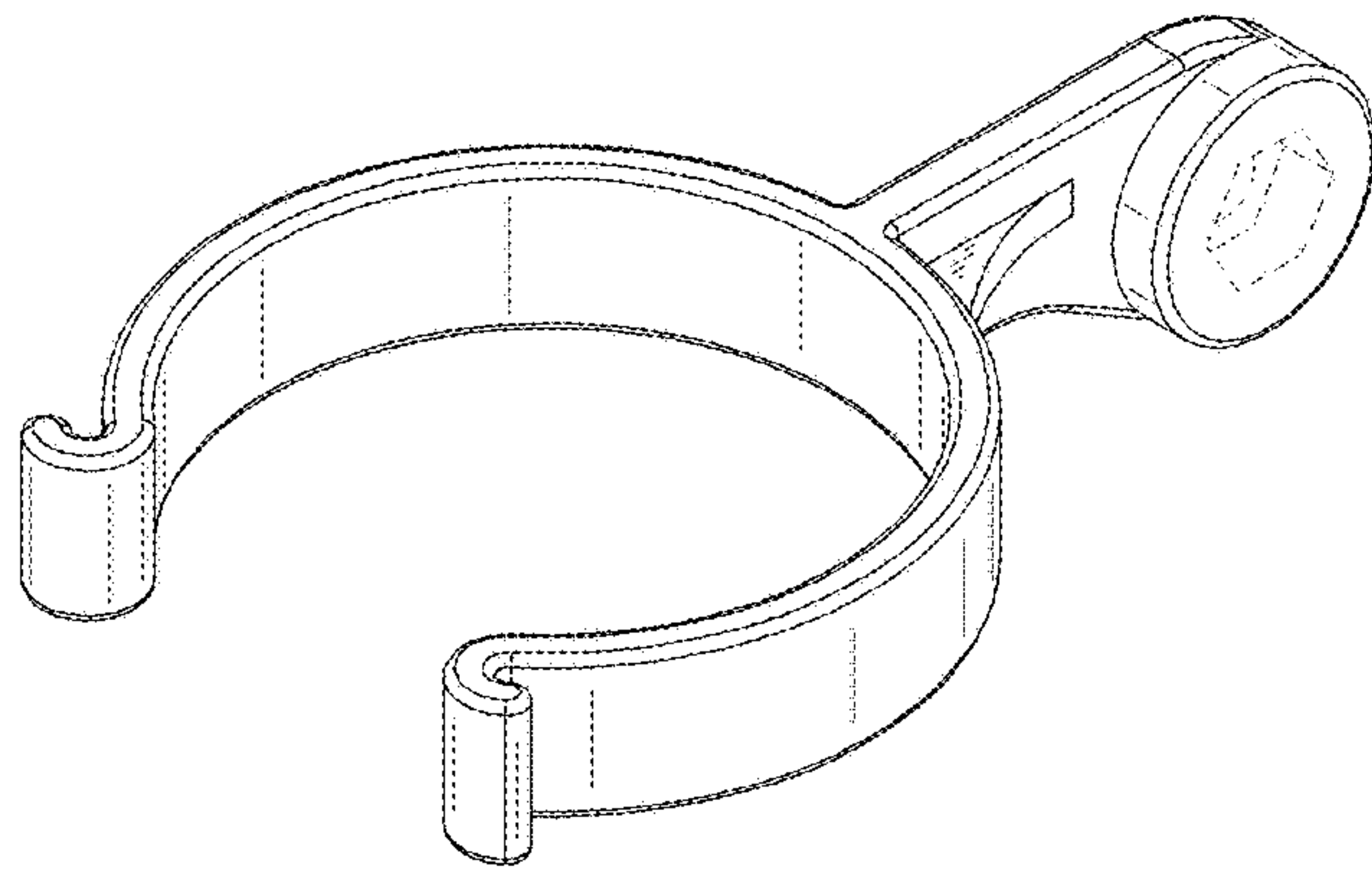


FIG. 2

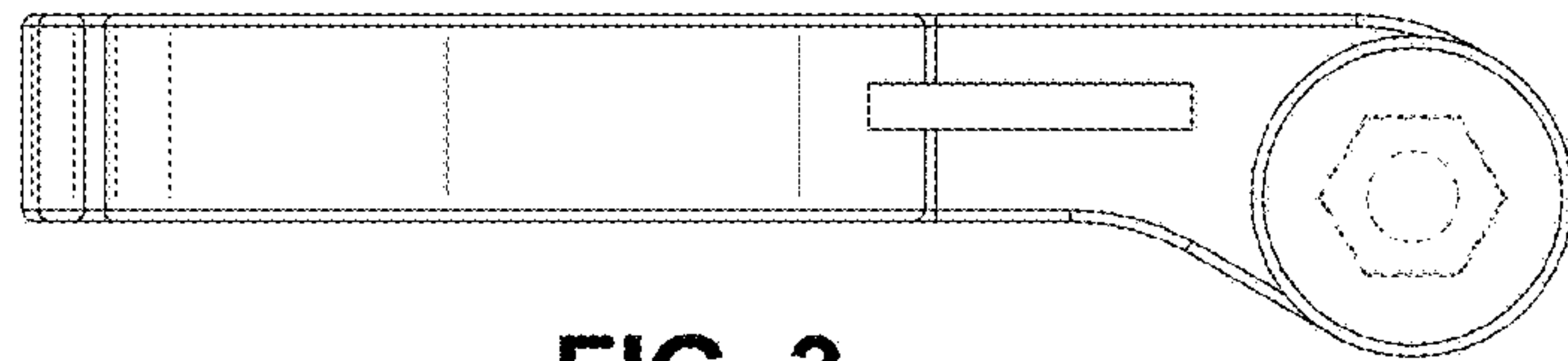


FIG. 3

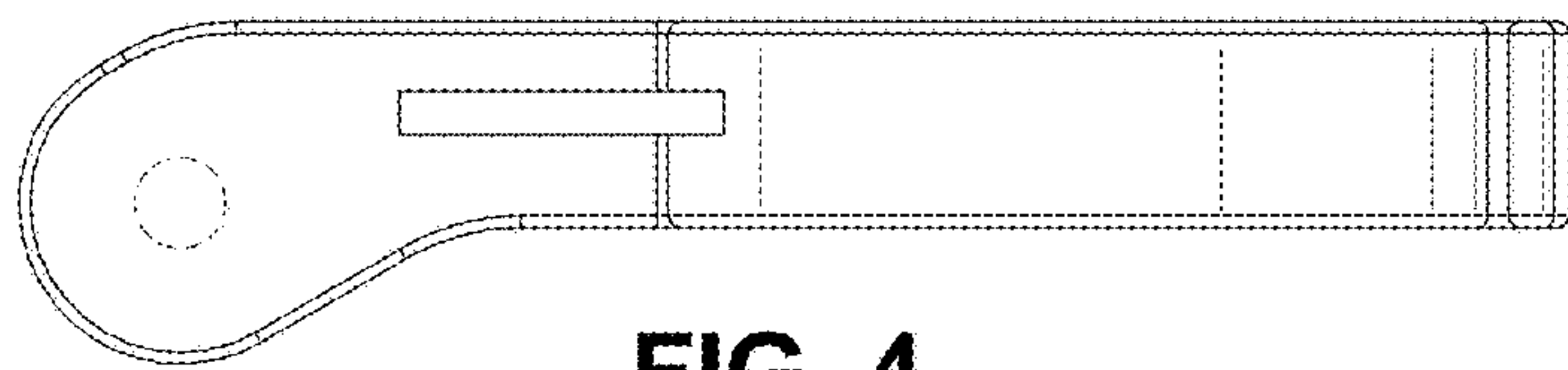


FIG. 4

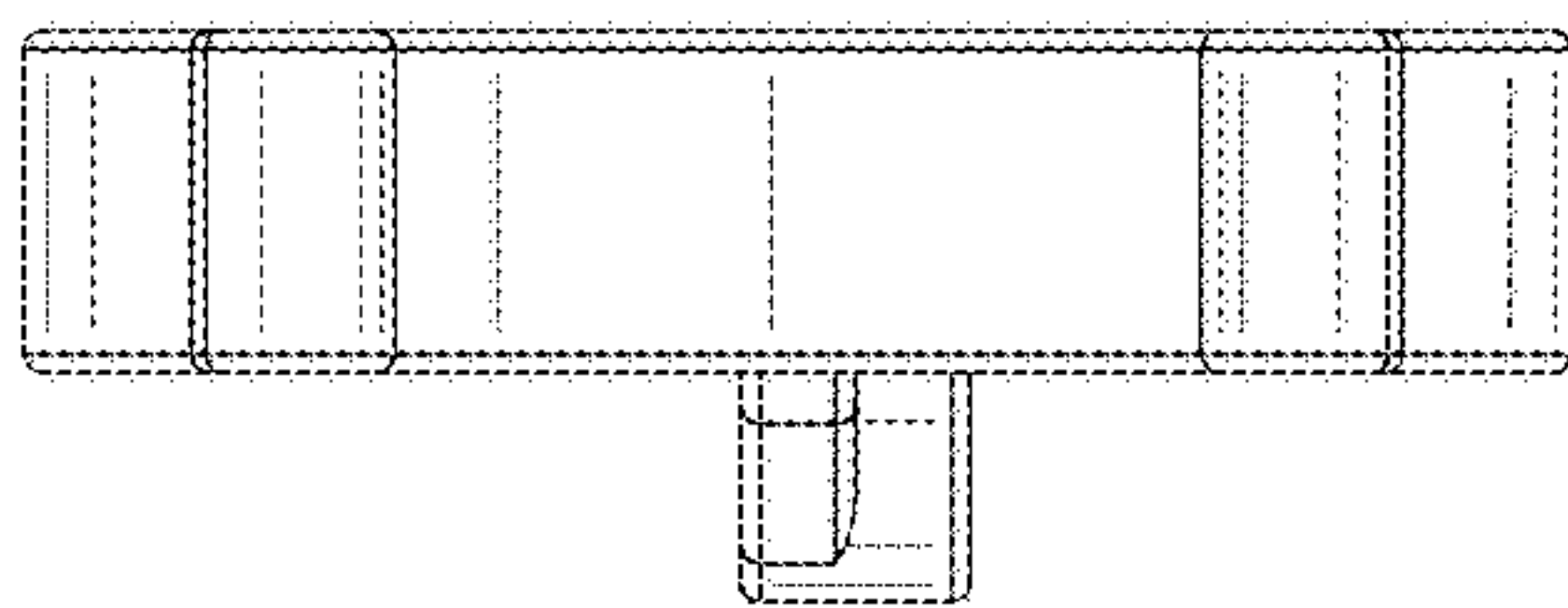


FIG. 5

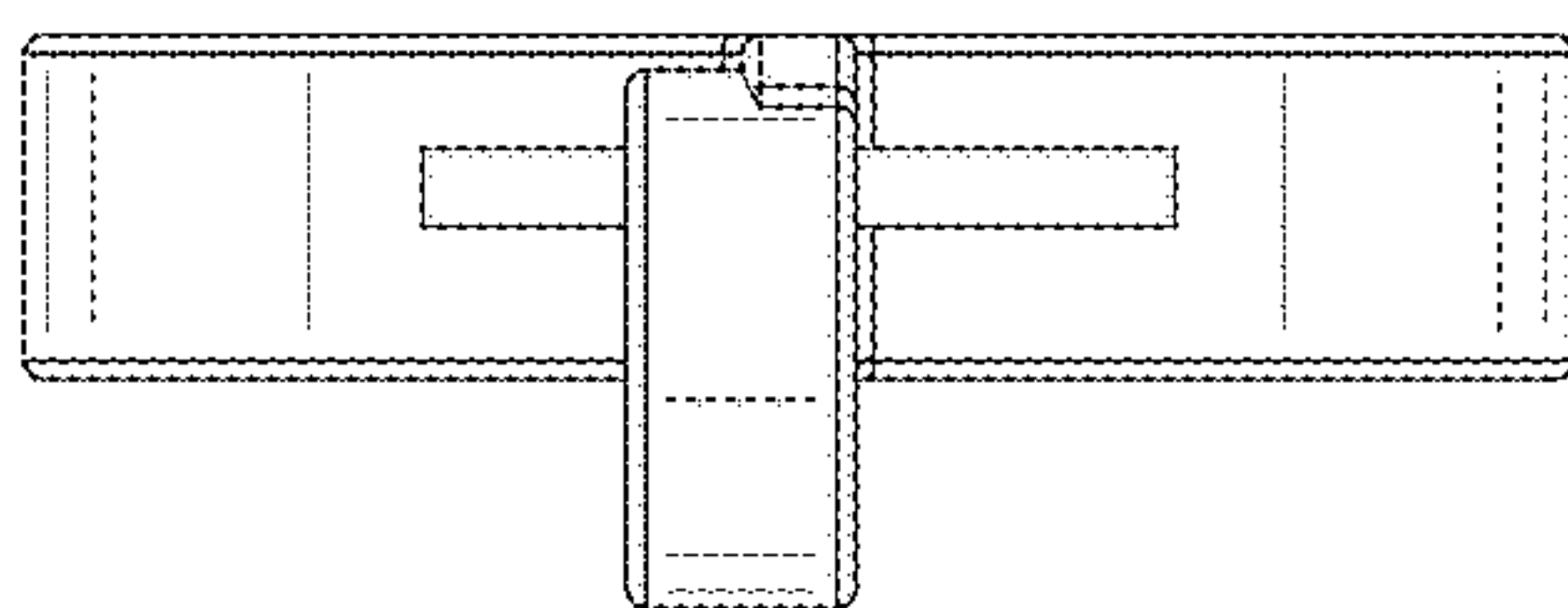


FIG. 6

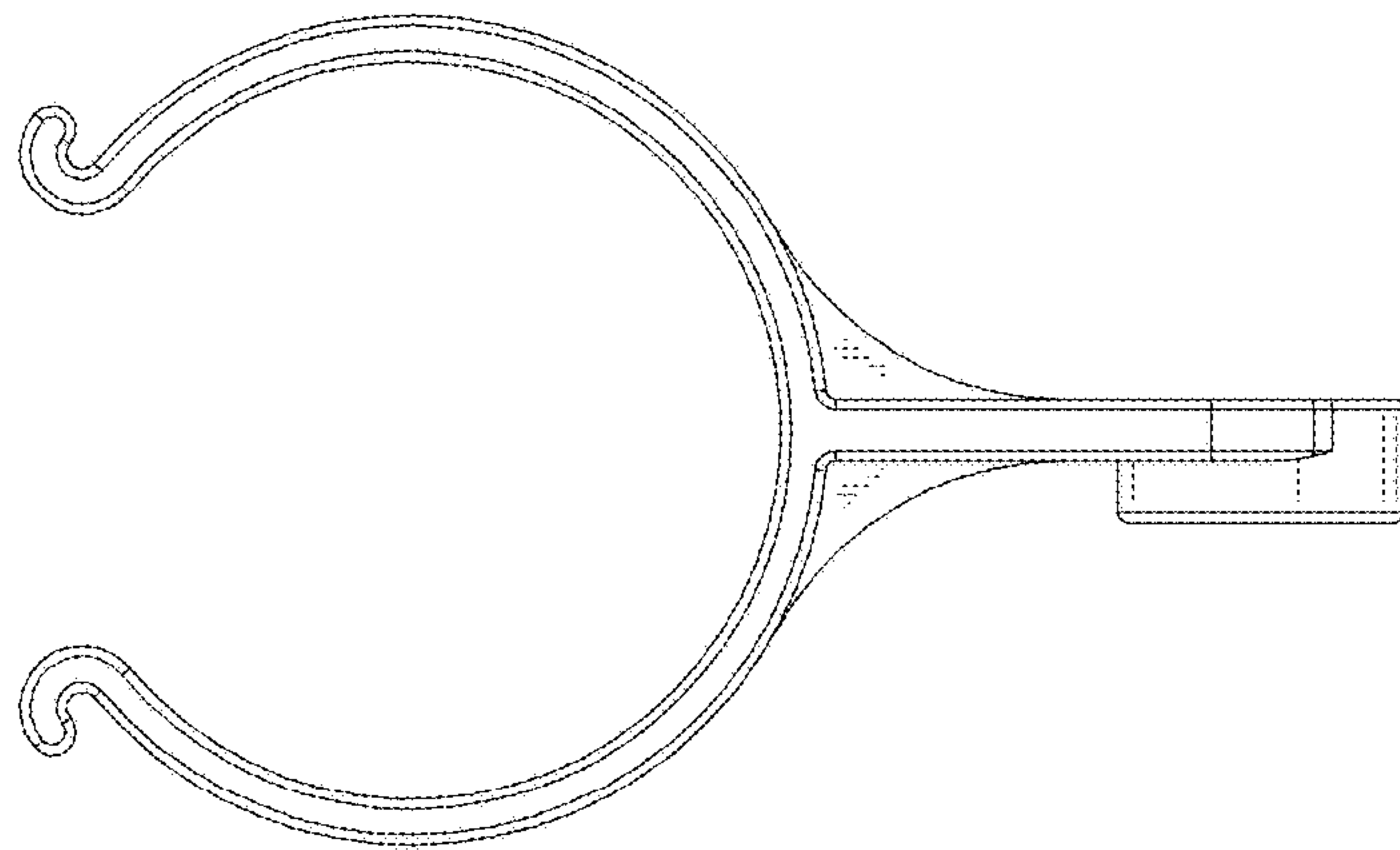


FIG. 7

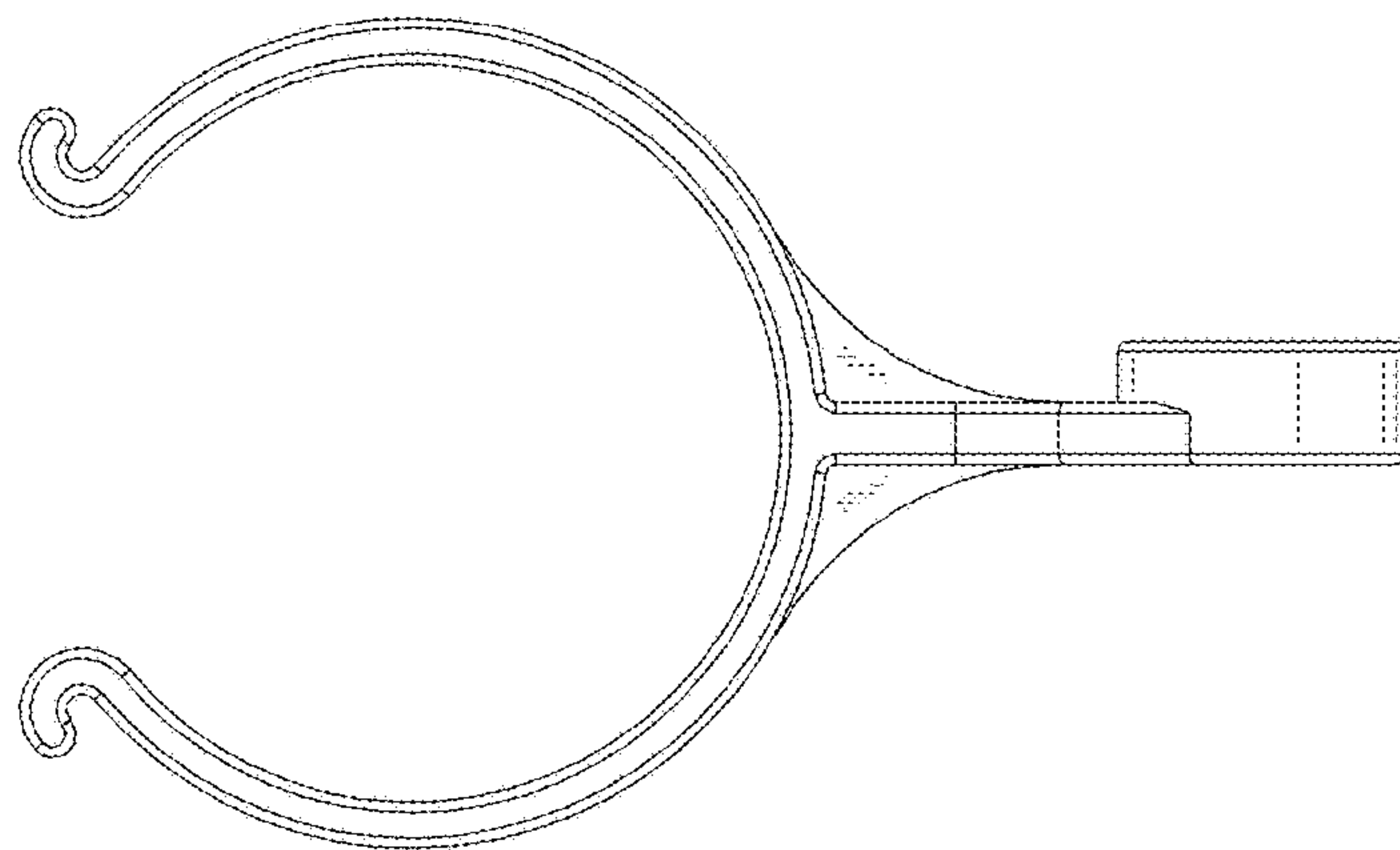


FIG. 8