

US00D862779S

(12) **United States Design Patent**
Anderson

(10) **Patent No.:** **US D862,779 S**

(45) **Date of Patent:** **** Oct. 8, 2019**

(54) **DETACHABLE POT LIGHT COVER**

(71) Applicant: **Ryan Anderson**, St. Anns (CA)

(72) Inventor: **Ryan Anderson**, St. Anns (CA)

(73) Assignee: **Ryan Anderson**, St. Anns (CA)

(**) Term: **15 Years**

(21) Appl. No.: **29/621,099**

(22) Filed: **Oct. 4, 2017**

(51) **LOC (12) Cl.** **26-99**

(52) **U.S. Cl.**
USPC **D26/118**

(58) **Field of Classification Search**
USPC D26/113, 118, 119, 120, 121, 122, 124;
D16/237
CPC F21S 8/00; F21S 8/04; F21V 7/00; F21V
7/005
See application file for complete search history.

(56) **References Cited**

U.S. PATENT DOCUMENTS

D639,497 S * 6/2011 Ogawa D26/120
D681,867 S * 5/2013 Wegger D26/124

D741,538 S * 10/2015 Ghasabi D26/138
D745,210 S * 12/2015 Serwacki D26/138
D745,211 S * 12/2015 Serwacki D26/138
D751,135 S * 3/2016 Bould D16/237
D782,103 S * 3/2017 Shields D26/124
D803,470 S * 11/2017 Austin, III D26/118
D816,260 S * 4/2018 Roth D26/118

* cited by examiner

Primary Examiner — Brian N. Vinson

(74) *Attorney, Agent, or Firm* — Ridout & Maybee LLP

(57) **CLAIM**

The ornamental design for a detachable pot light cover, as shown and described.

DESCRIPTION

FIG. 1 is a top perspective view of the detachable pot light cover.

FIG. 2 is a bottom perspective view thereof;

FIG. 3 is a top end view thereof;

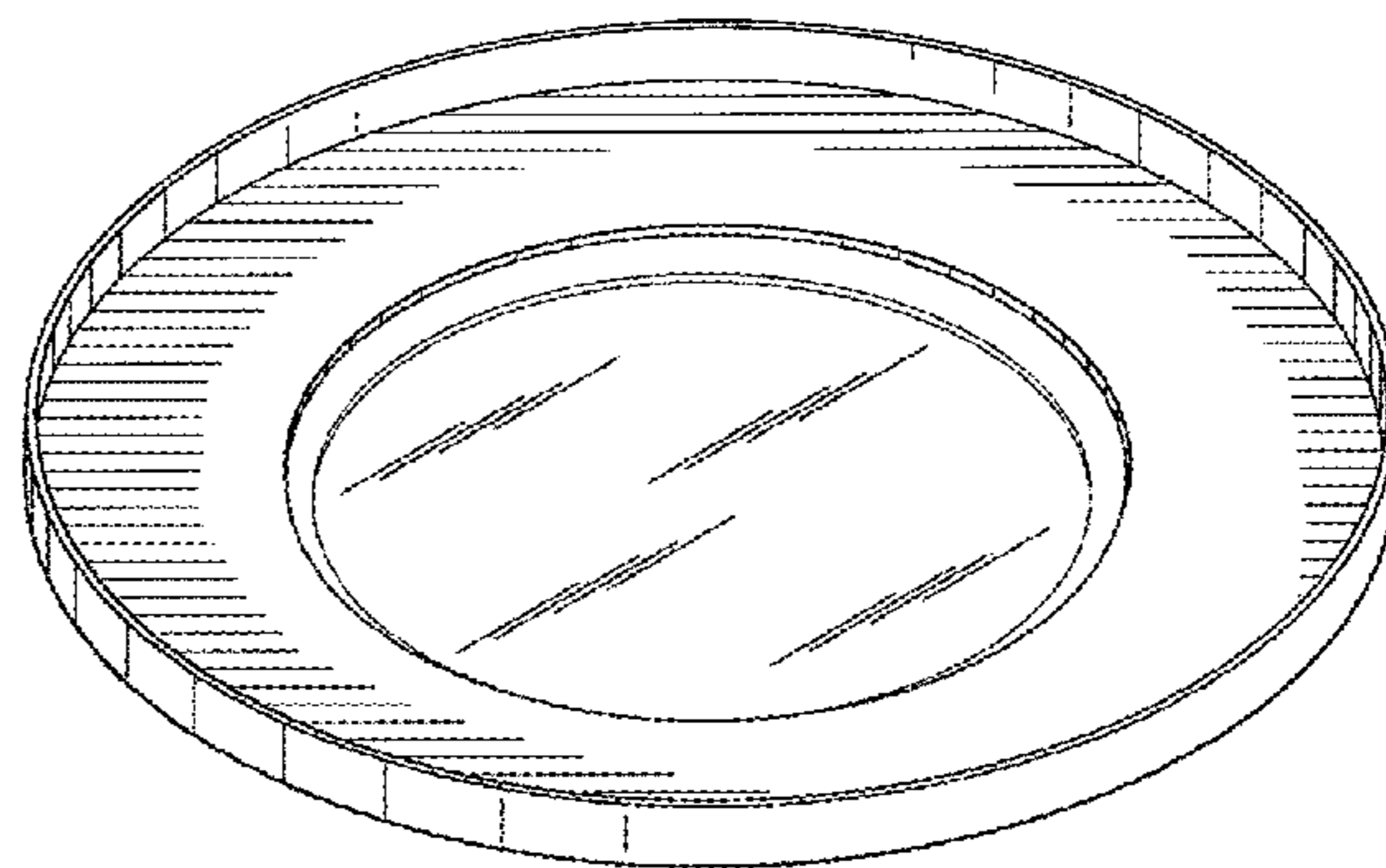
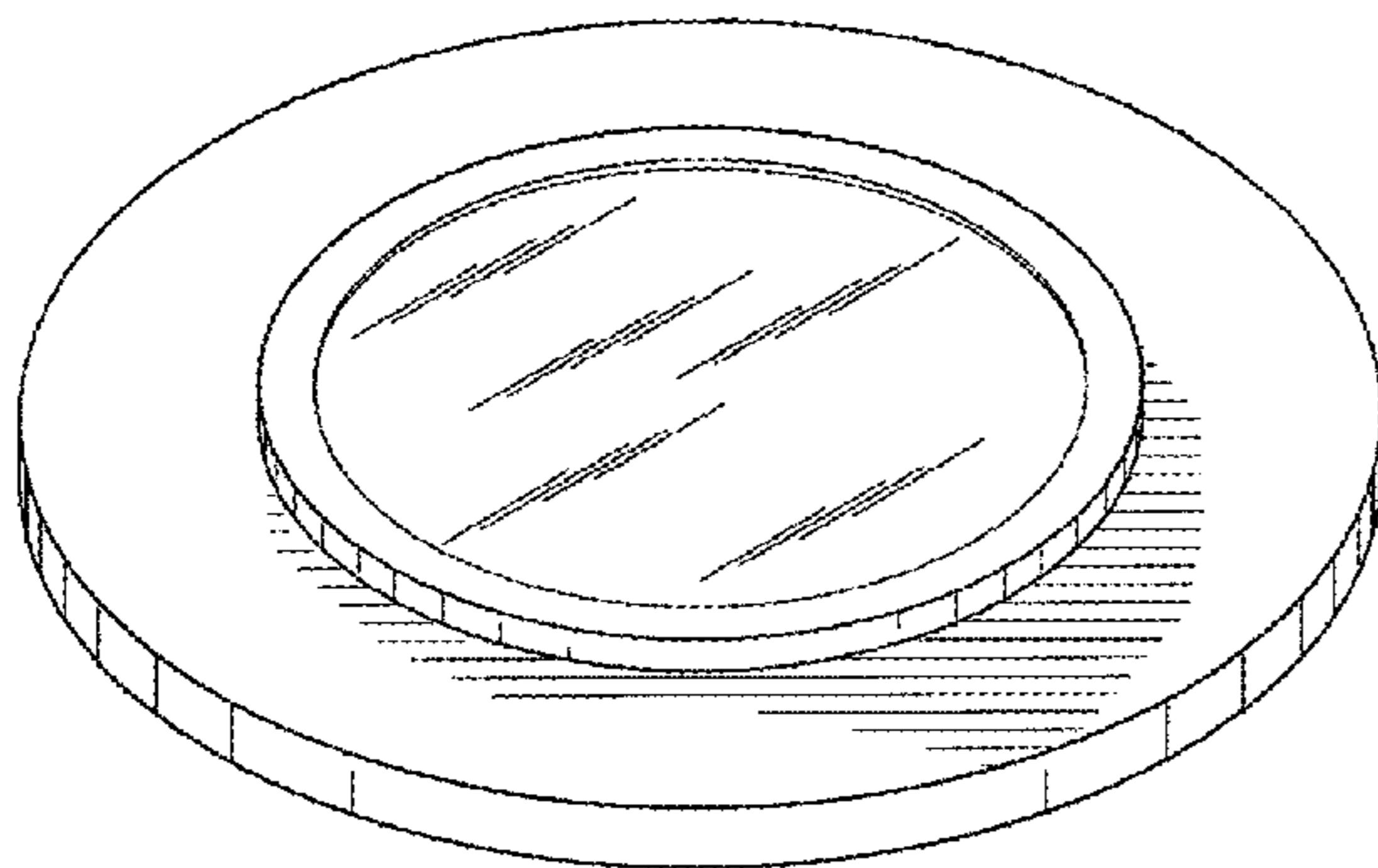
FIG. 4 is a bottom end view thereof;

FIG. 5 is a front elevation view thereof;

FIG. 6 is a rear elevation view thereof; and,

FIG. 7 is a vertical cross-sectional view thereof, taken directly through the center of FIG. 3.

1 Claim, 4 Drawing Sheets



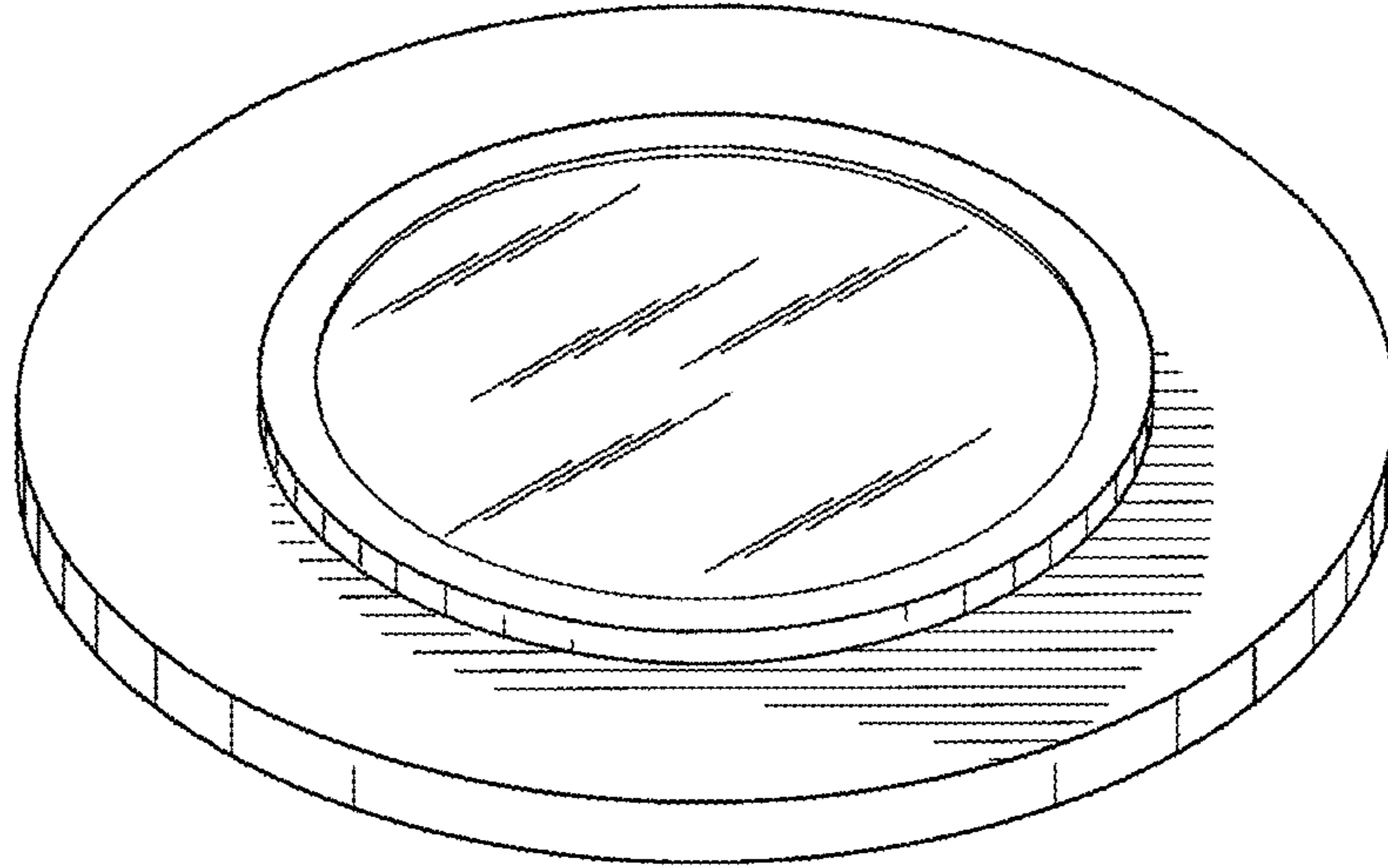


FIG. 1

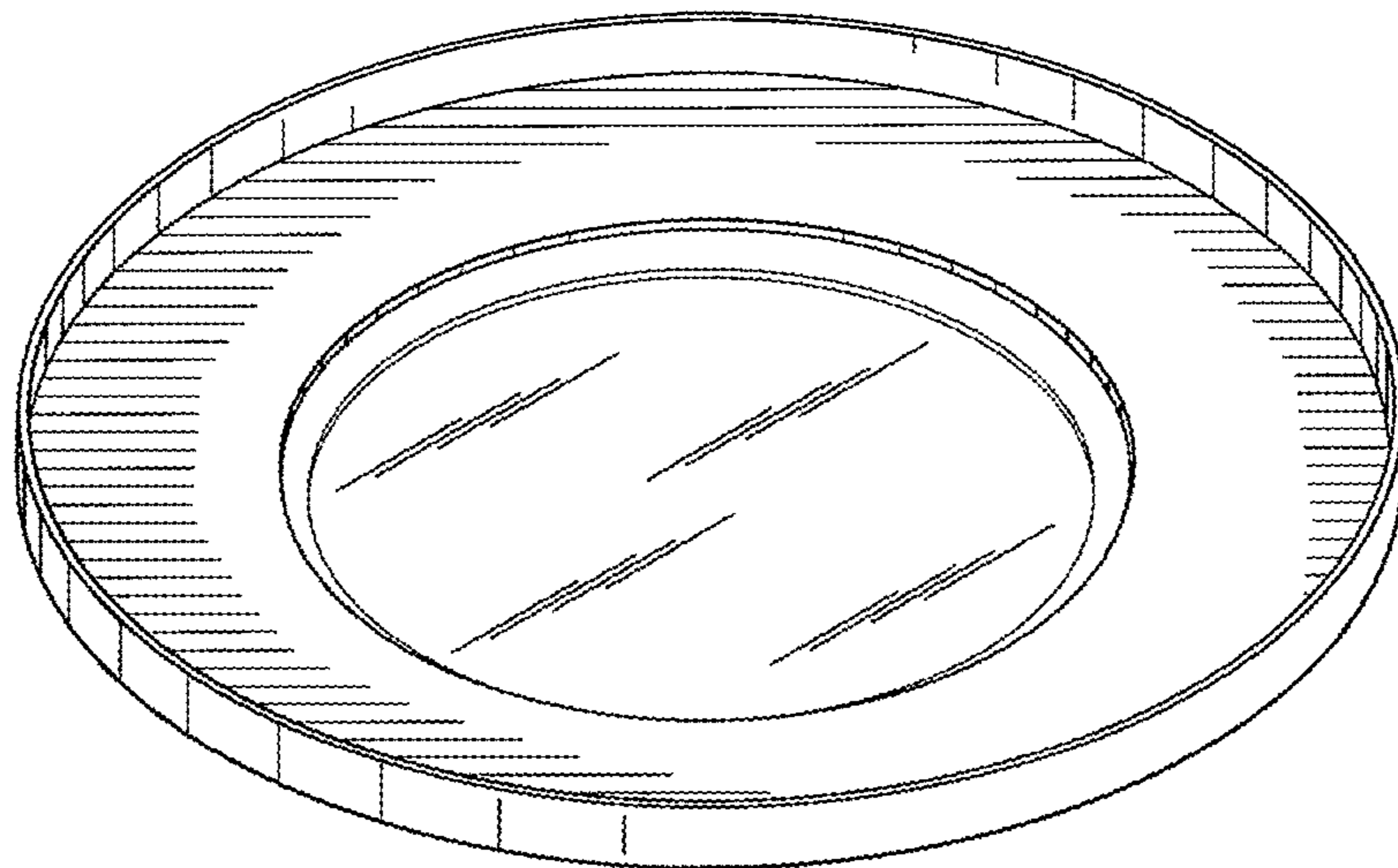


FIG. 2

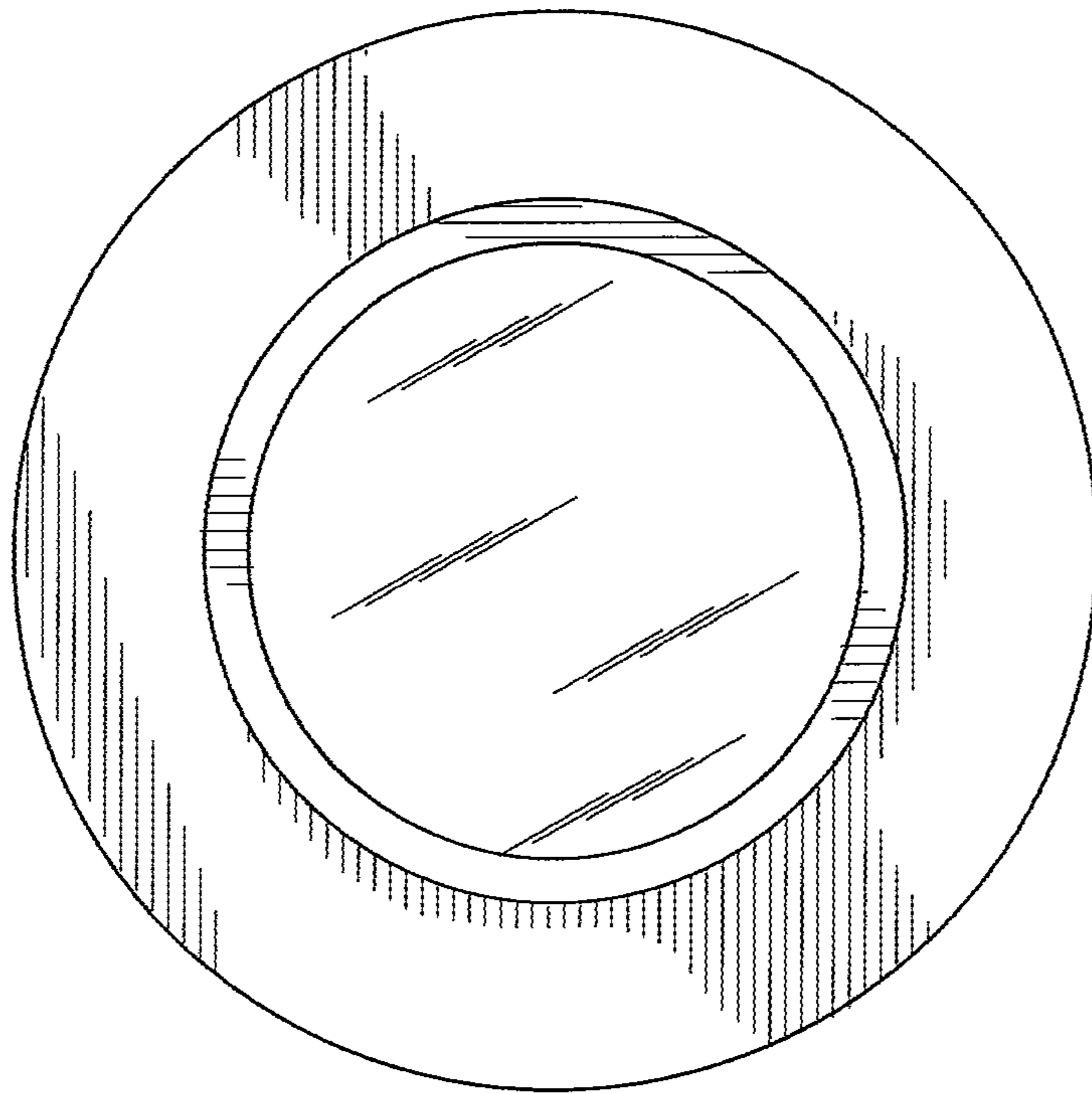


FIG.3

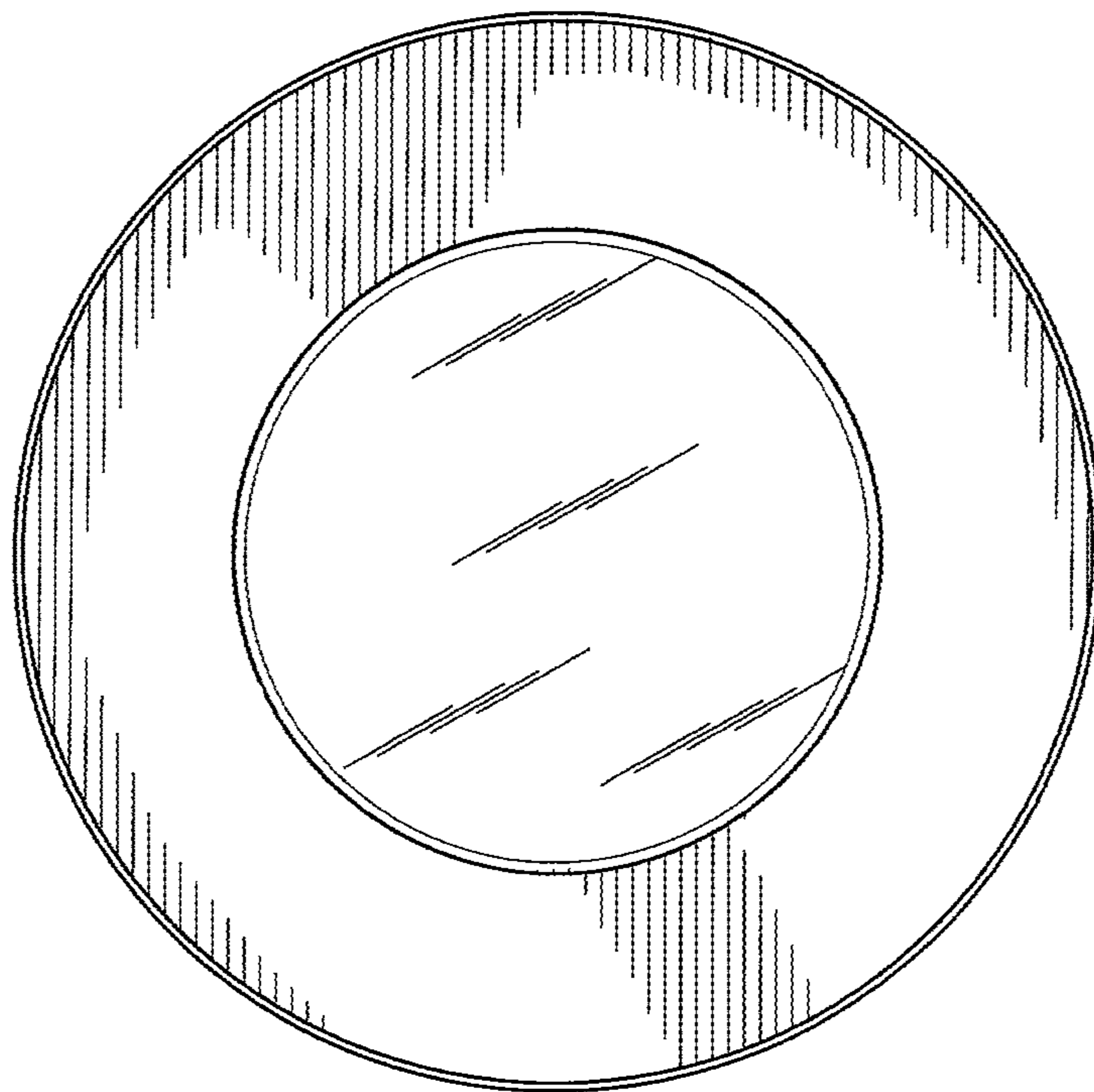


FIG.4

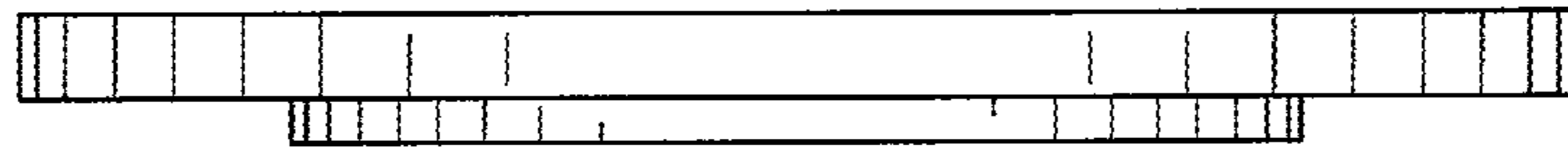


FIG. 5

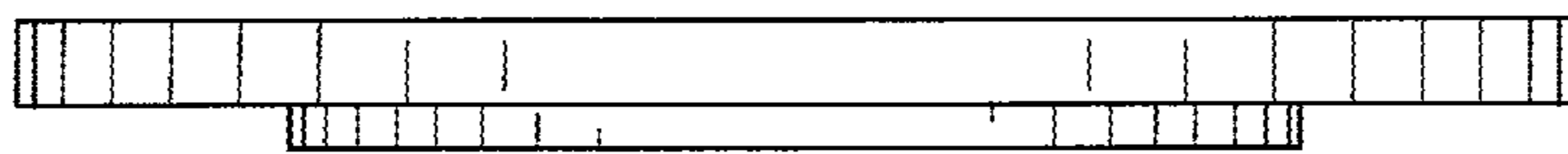


FIG. 6

FIG. 7

