

US00D862776S

(12) **United States Design Patent** (10) **Patent No.:** **US D862,776 S**
Bie (45) **Date of Patent:** **** Oct. 8, 2019**

(54) **MAGLEV LAMP** D752,802 S * 3/2016 Johnson D26/110
D772,473 S 11/2016 Feit
(71) Applicant: **Ying Bie**, Shenzhen (CN) D799,100 S * 10/2017 Morris D26/110
D818,629 S * 5/2018 Zhou D26/106

(72) Inventor: **Ying Bie**, Shenzhen (CN)

* cited by examiner

(**) Term: **15 Years**

Primary Examiner — Brian N. Vinson

(21) Appl. No.: **29/679,453**

(74) *Attorney, Agent, or Firm* — Erson IP (Nelson IP)

(22) Filed: **Feb. 6, 2019**

(51) **LOC (12) Cl.** **26-03**

(57) **CLAIM**

(52) **U.S. Cl.**
USPC **D26/110**

The ornamental design for a maglev lamp, as shown and described.

(58) **Field of Classification Search**
USPC D26/72, 76, 77, 78, 80, 85, 89, 112, 104,
D26/106, 142, 121, 118, 110, 93;
D11/90

DESCRIPTION

CPC F21S 8/03; F21S 8/031; F21S 8/033; F21S
8/036; F21S 9/03; F21S 9/037; F21V
21/025; F21V 17/08; F21V 17/10
See application file for complete search history.

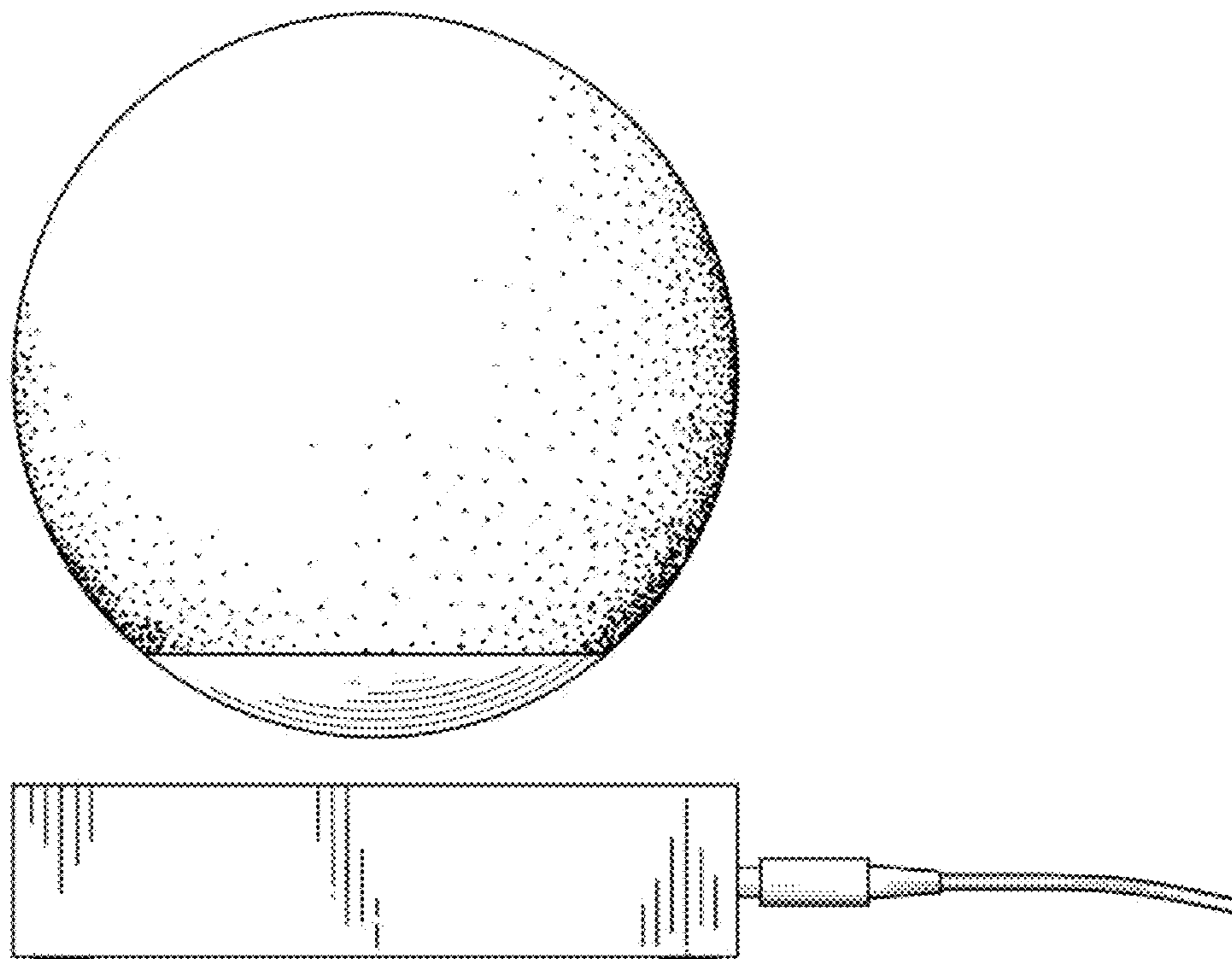
FIG. 1 is a front view of a maglev lamp showing my new design;
FIG. 2 is a rear view thereof;
FIG. 3 is a left side view thereof;
FIG. 4 is a right side view thereof;
FIG. 5 is a top plan view thereof; and,
FIG. 6 is a bottom plan view thereof.

(56) **References Cited**

U.S. PATENT DOCUMENTS

D302,867 S * 8/1989 Dennis D26/110
D395,715 S * 6/1998 Queen D26/110

1 Claim, 6 Drawing Sheets



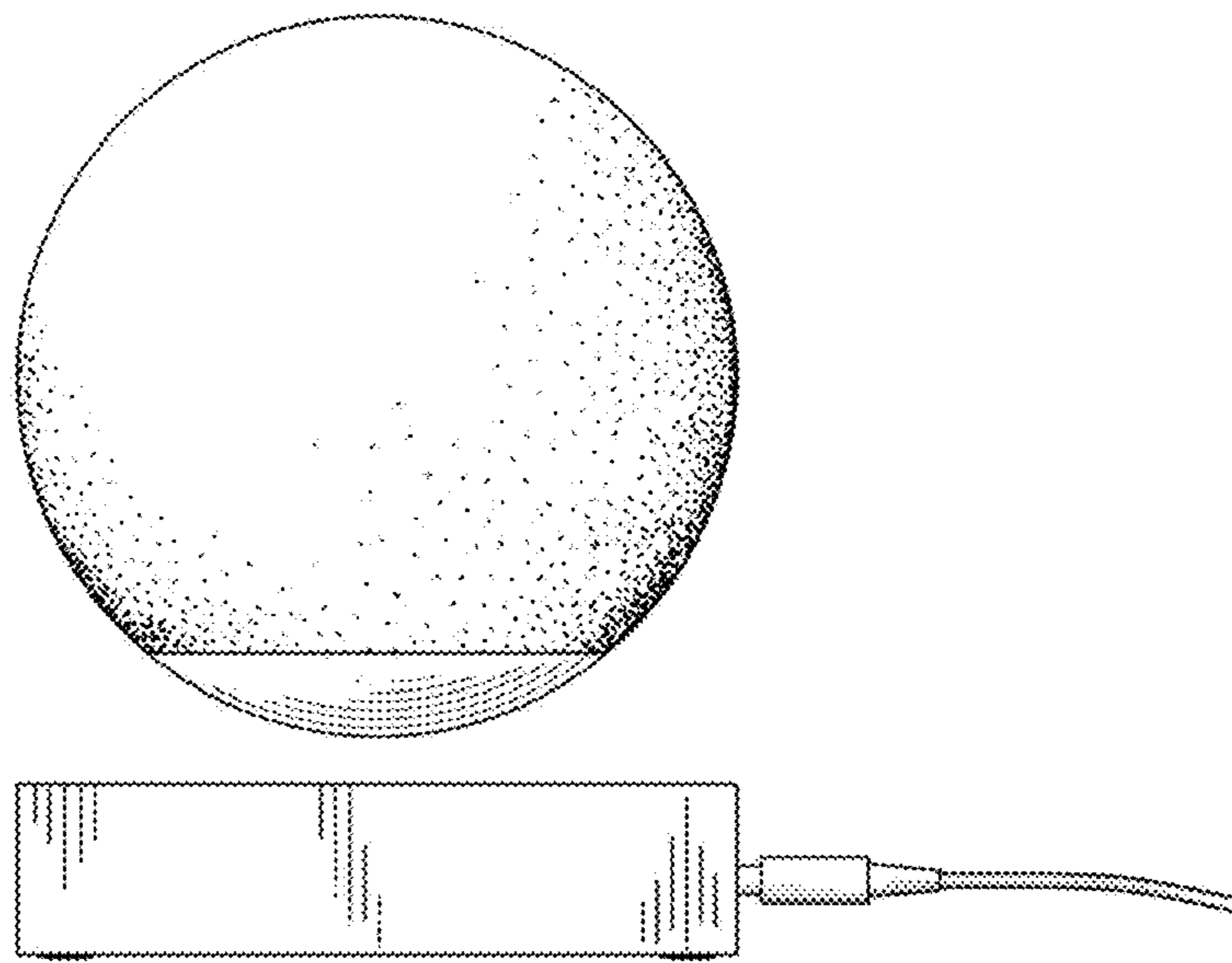


Fig. 1

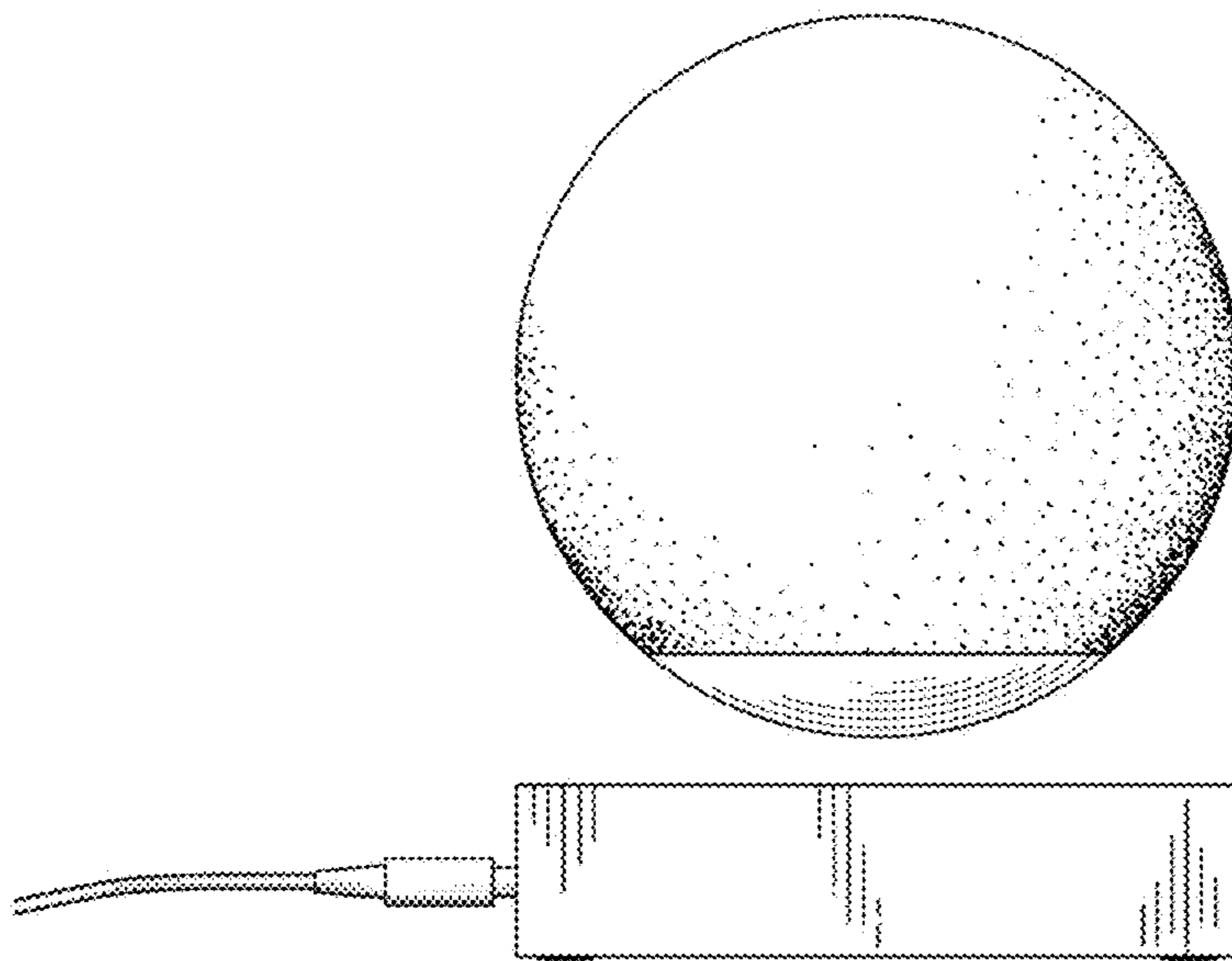


Fig. 2

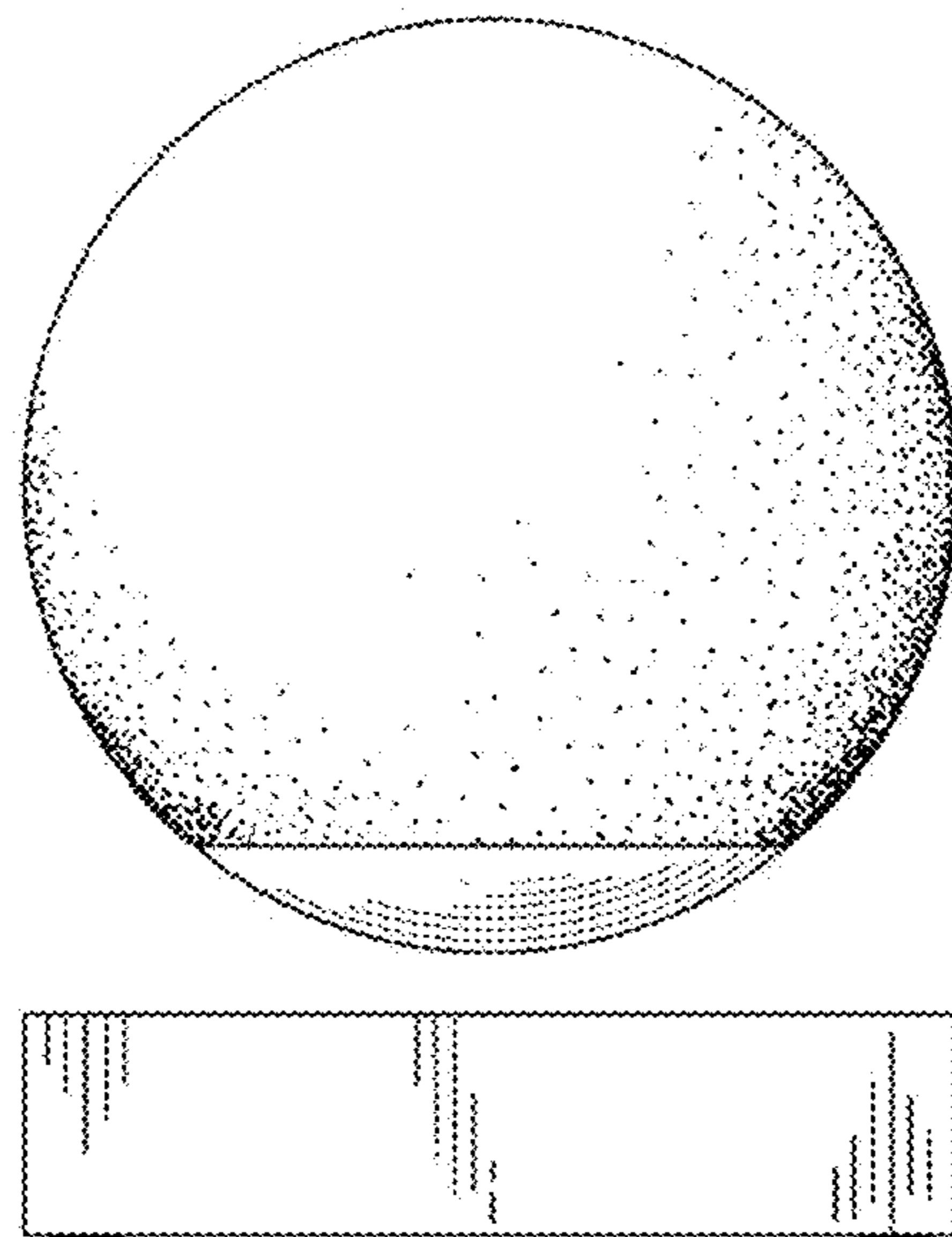


Fig. 3

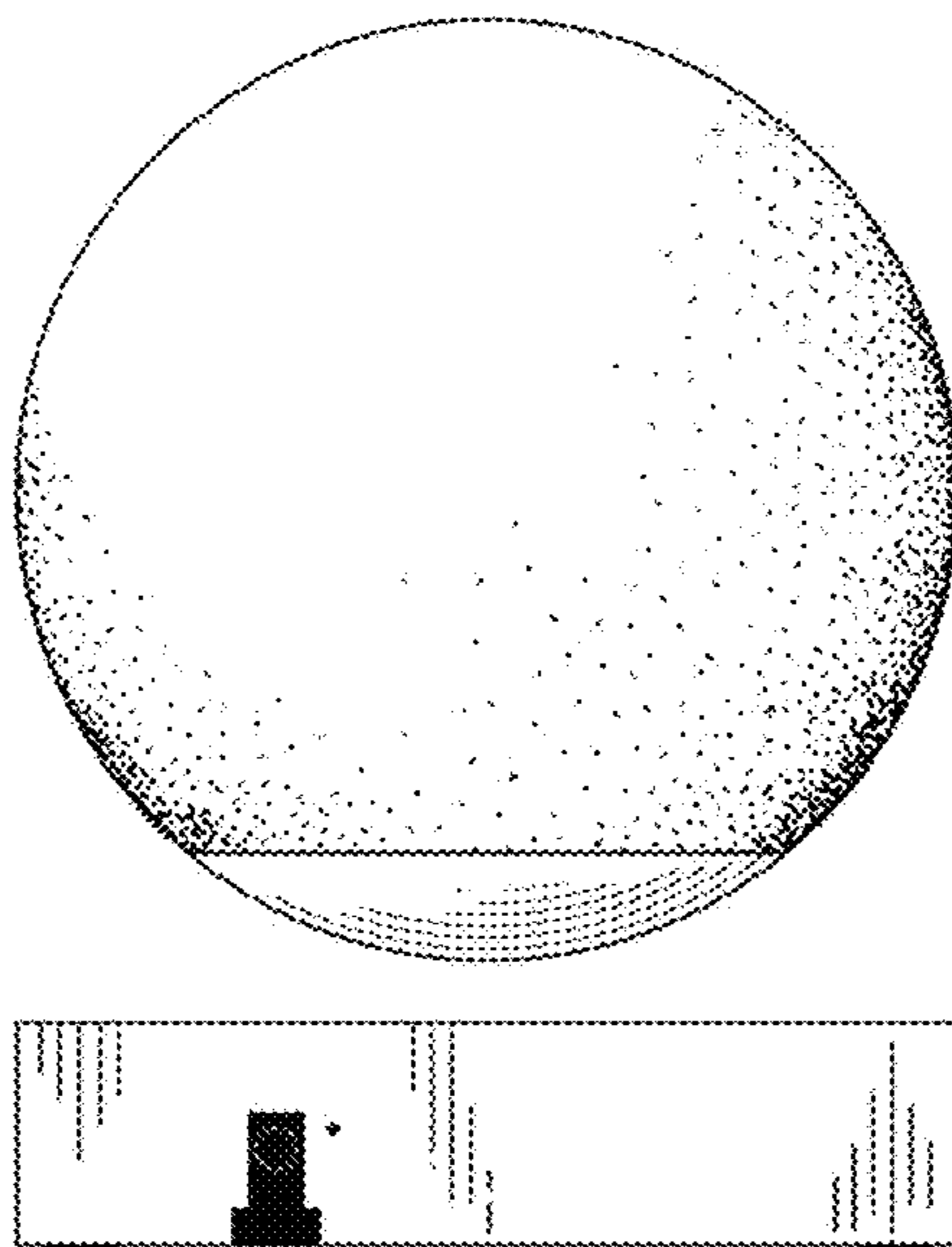


Fig. 4

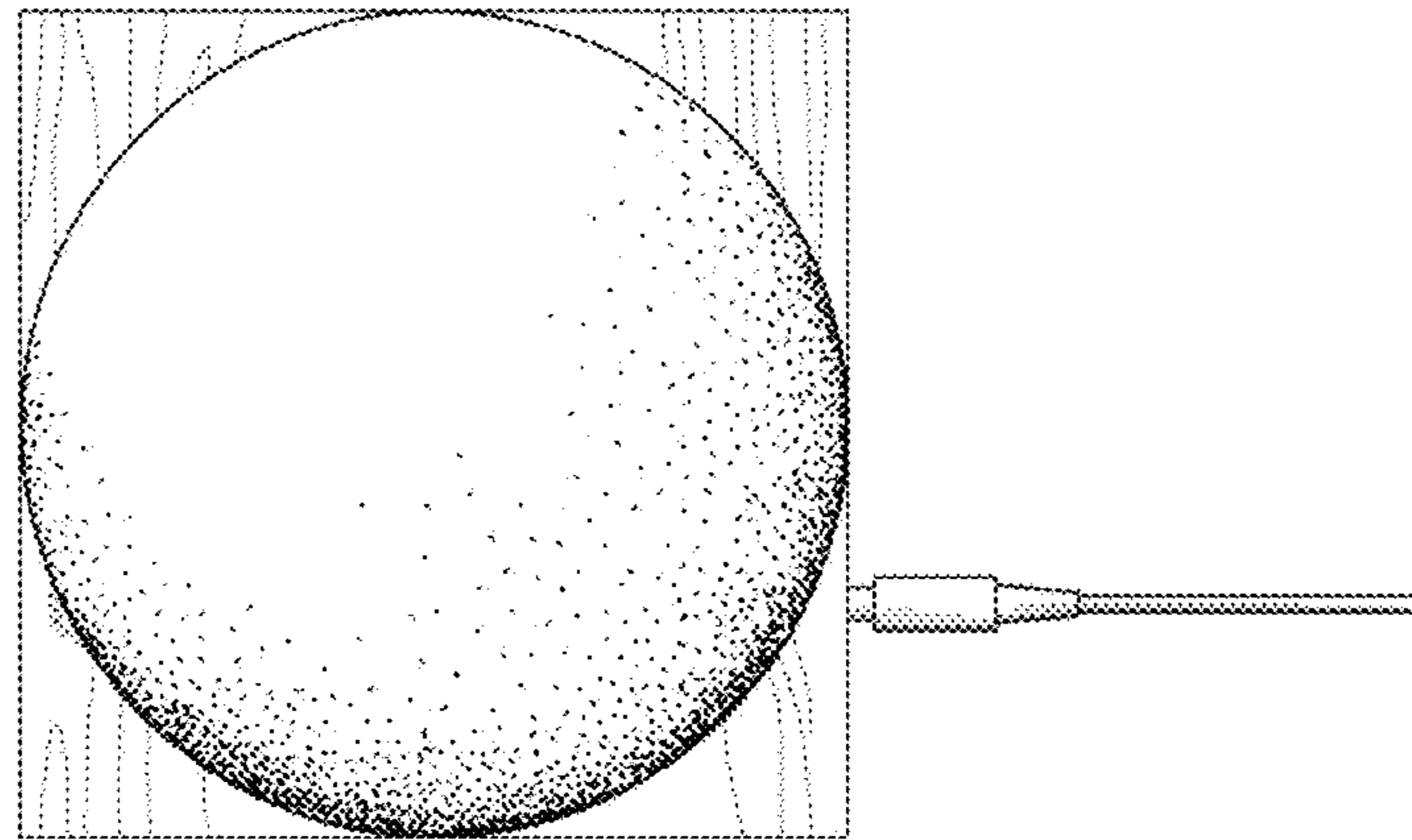


Fig. 5

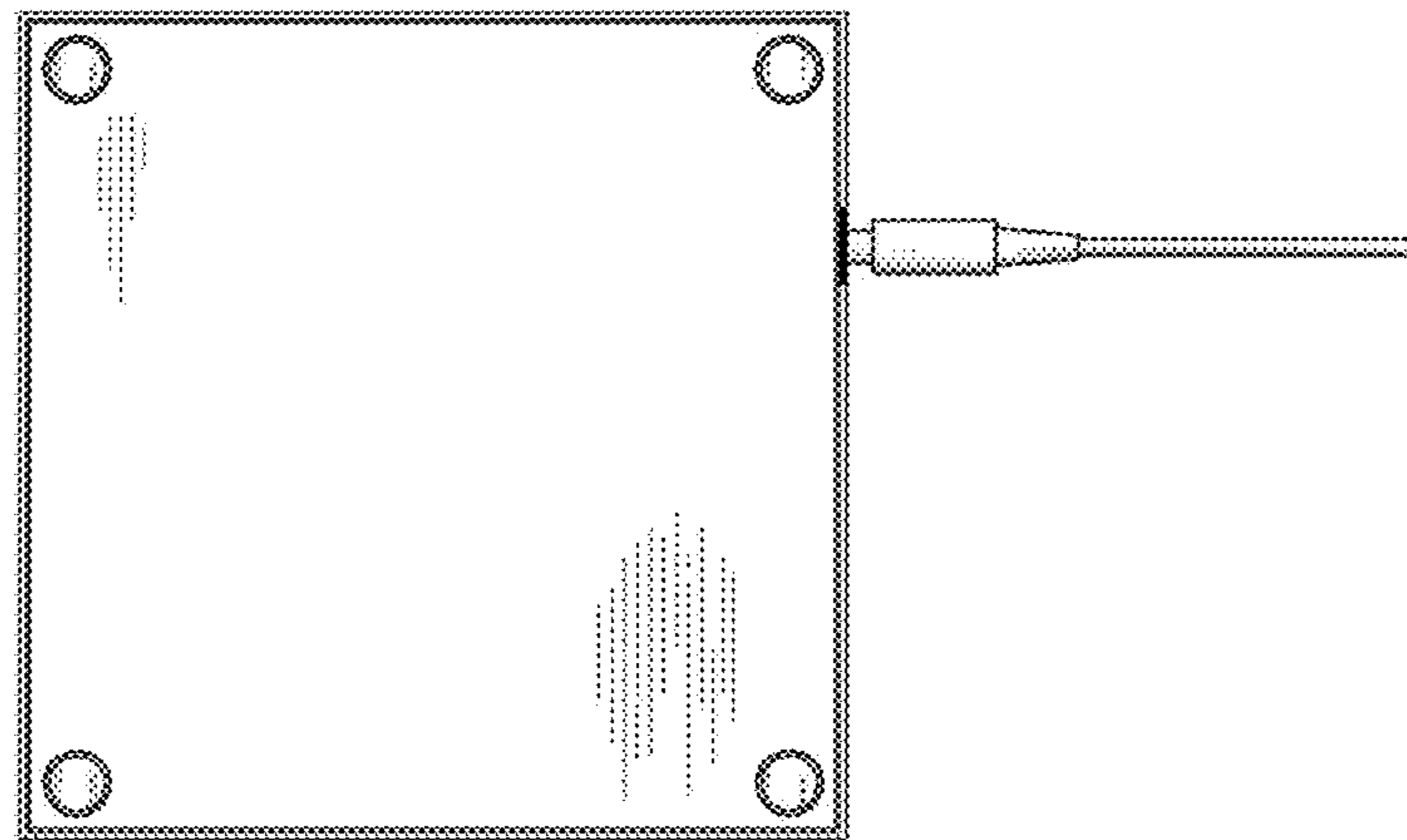


Fig. 6