



US00D862771S

(12) **United States Design Patent**
Coombes et al.

(10) **Patent No.:** **US D862,771 S**

(45) **Date of Patent:** **** Oct. 8, 2019**

(54) **LAMP**

(71) Applicant: **GIOPATO & COOMBES S.R.L.**,
Treviso (IT)

(72) Inventors: **Christopher Coombes**, Treviso (IT);
Cristiana Giopato, Treviso (IT)

(73) Assignee: **GIOPATO & COOMBES S.R.L.**,
Treviso (IT)

(**) Term: **15 Years**

(21) Appl. No.: **29/642,409**

(22) Filed: **Mar. 29, 2018**

(51) **LOC (12) Cl.** **26-03**

(52) **U.S. Cl.**
USPC **D26/85**

(58) **Field of Classification Search**
USPC D26/72, 80-92, 118, 143, 144
CPC F21S 8/03; F21S 8/033; F21S 8/036; F21S
8/037; F21S 8/038; F21S 8/04; F21S
8/043; F21S 8/046; F21S 8/06; F21S
8/061; F21S 8/063; F21S 8/065; F21S
8/068

See application file for complete search history.

(56) **References Cited**

U.S. PATENT DOCUMENTS

D76,194 S *	8/1928	Knorr	D26/84
D80,639 S *	3/1930	Rosenblatt	D26/80
D226,532 S *	3/1973	Ishii	D26/84
3,745,327 A *	7/1973	Lowery	F21S 8/033 362/146
D228,146 S *	8/1973	Schwartz	D26/82
D288,247 S *	2/1987	De Lucchi	D26/85
D292,525 S *	10/1987	Van Deelen	D26/85
D294,399 S *	2/1988	Platner	D26/81
D298,059 S *	10/1988	Muller	D26/86
D299,762 S *	2/1989	King	D26/87
D309,955 S *	8/1990	Gismondi	D26/87

D402,387 S *	12/1998	Stewart	D26/81
D422,373 S *	4/2000	Tihany	D26/85
D644,778 S *	9/2011	Lovegrove	D26/83
D646,423 S *	10/2011	Chiu	D26/85
D655,847 S *	3/2012	Sabernig	D26/83
D655,850 S *	3/2012	Sabernig	D26/85
D656,653 S *	3/2012	Sabernig	D26/83
D666,764 S *	9/2012	Gilad	D26/79
D671,255 S *	11/2012	Sonneman	D26/85
D674,951 S *	1/2013	Sonneman	D26/80
D674,953 S *	1/2013	Sonneman	D26/86
D747,025 S *	1/2016	Skira	D26/85
D747,531 S *	1/2016	Skira	D26/85
D780,979 S *	3/2017	Urquiola	D26/88
D791,385 S *	7/2017	Sonneman	D26/84
D791,388 S *	7/2017	Sonneman	D26/90
D792,633 S *	7/2017	Sonneman	D26/84

(Continued)

OTHER PUBLICATIONS

Gioielli Collection found at giopatocoombes.com, visited Mar. 13, 2019. (Year: 2019).*

(Continued)

Primary Examiner — Clare E Heflin

(74) *Attorney, Agent, or Firm* — Cantor Colburn LLP

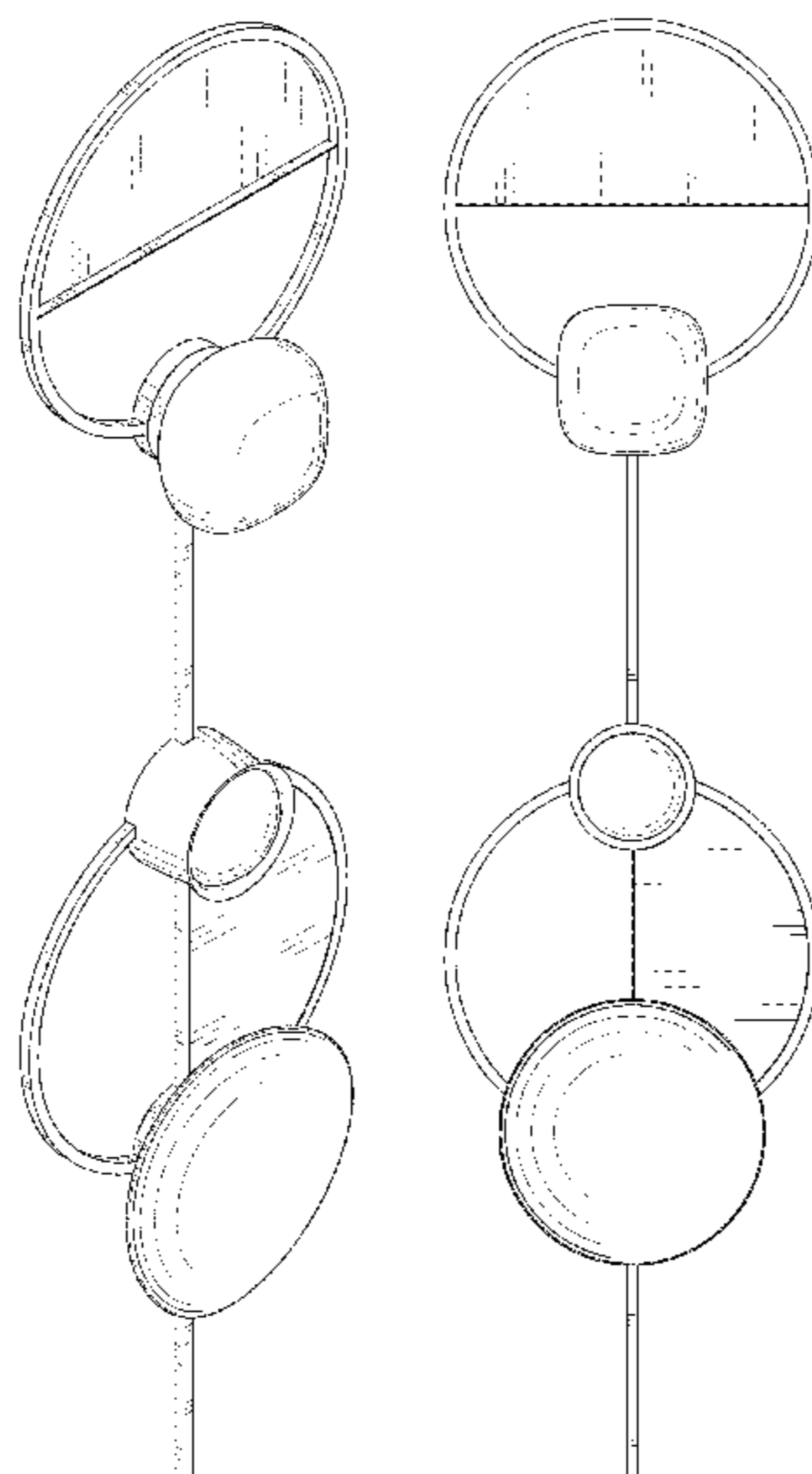
(57) **CLAIM**

We claim, the ornamental design for a lamp, as shown and described.

DESCRIPTION

FIG. 1 is a perspective view of a lamp, showing my new design;
FIG. 2 is a front elevation view thereof;
FIG. 3 is a rear elevation view thereof;
FIG. 4 is a left side elevation view thereof;
FIG. 5 is a right side elevation view thereof;
FIG. 6 is a top plan view thereof; and,
FIG. 7 is a bottom plan view thereof.

1 Claim, 6 Drawing Sheets



(56)

References Cited

U.S. PATENT DOCUMENTS

D809,695	S	*	2/2018	Verelst	D26/72
D813,440	S	*	3/2018	Xia	D26/89
D821,629	S	*	6/2018	Amato	D26/87
D826,451	S	*	8/2018	Sonneman	D26/80
D833,057	S	*	11/2018	Cho	D26/87

OTHER PUBLICATIONS

AD Magazine post on Instagram by 'giopatocoombes', Apr. 13, 2017. (Year: 2017).*

Raw Edge Alabaster sconce model No. 525244 from cb2.com, visited Mar. 13, 2019. (Year: 2019).*

* cited by examiner

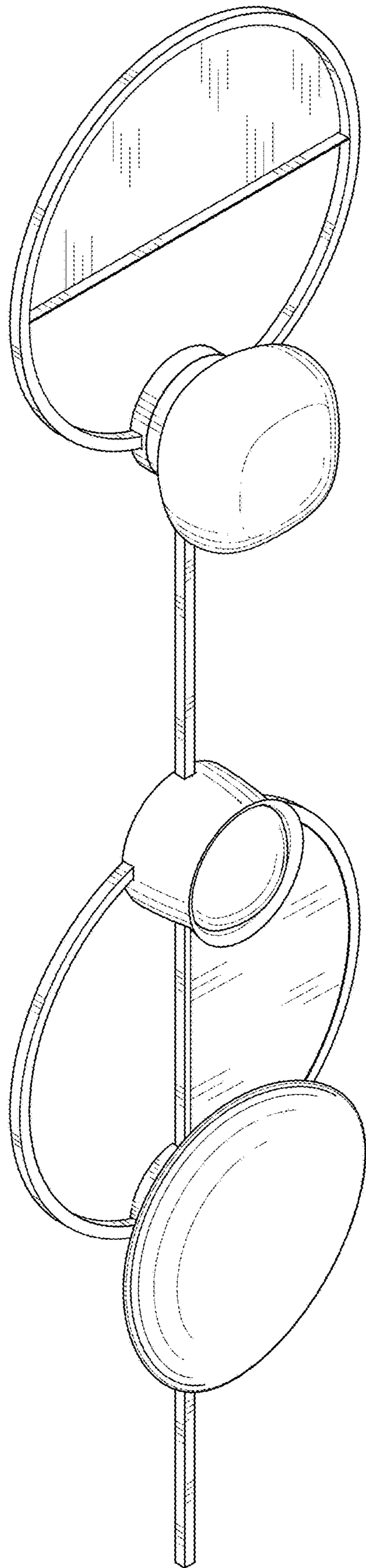


Fig. 1

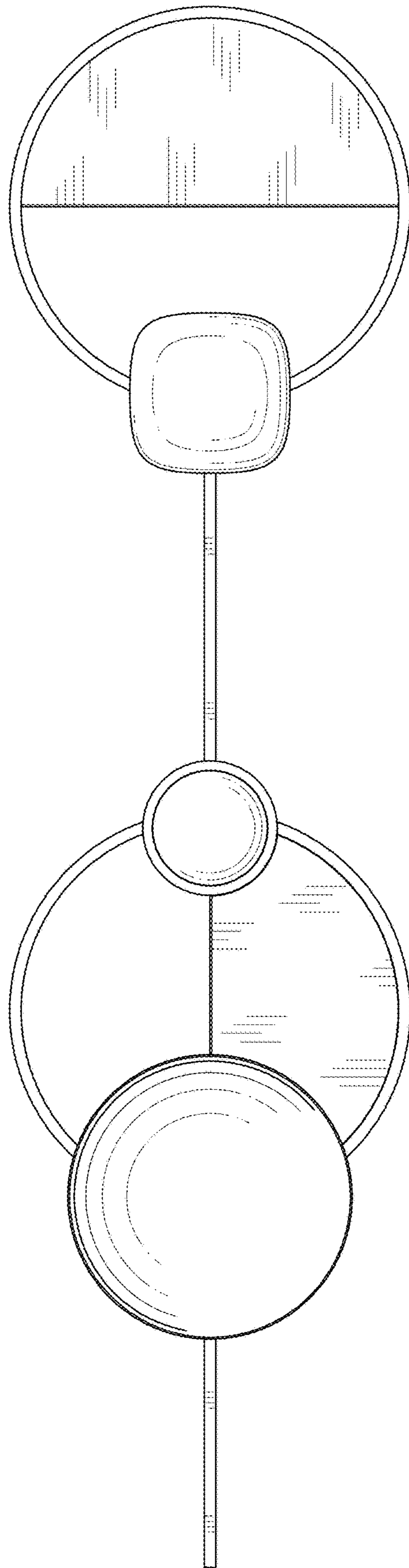


Fig. 2

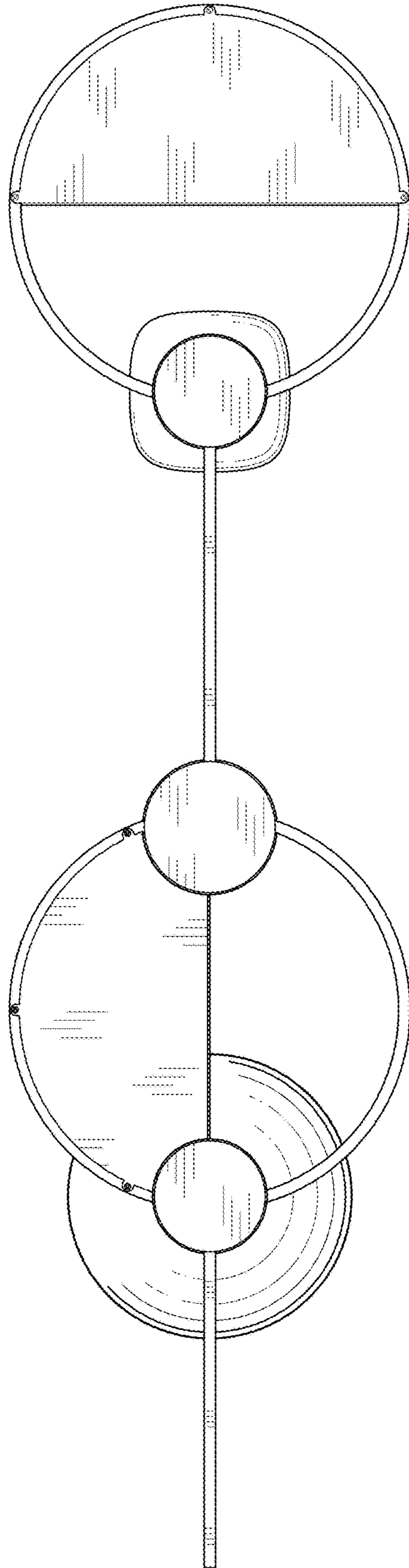


Fig. 3

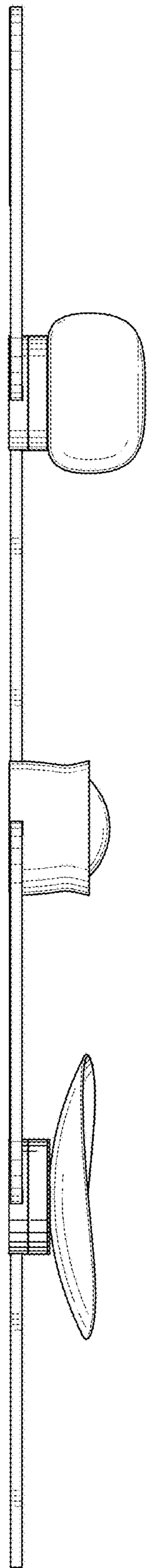


Fig. 4

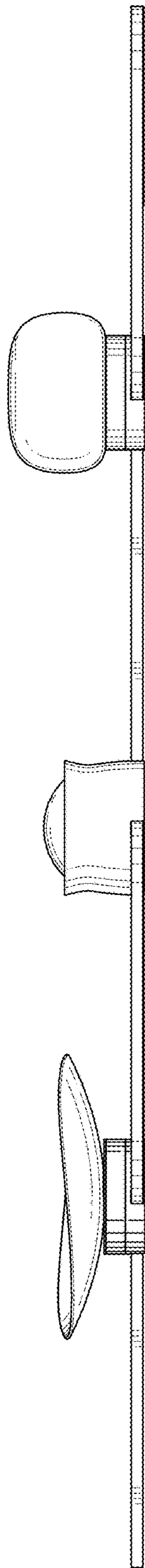


Fig. 5

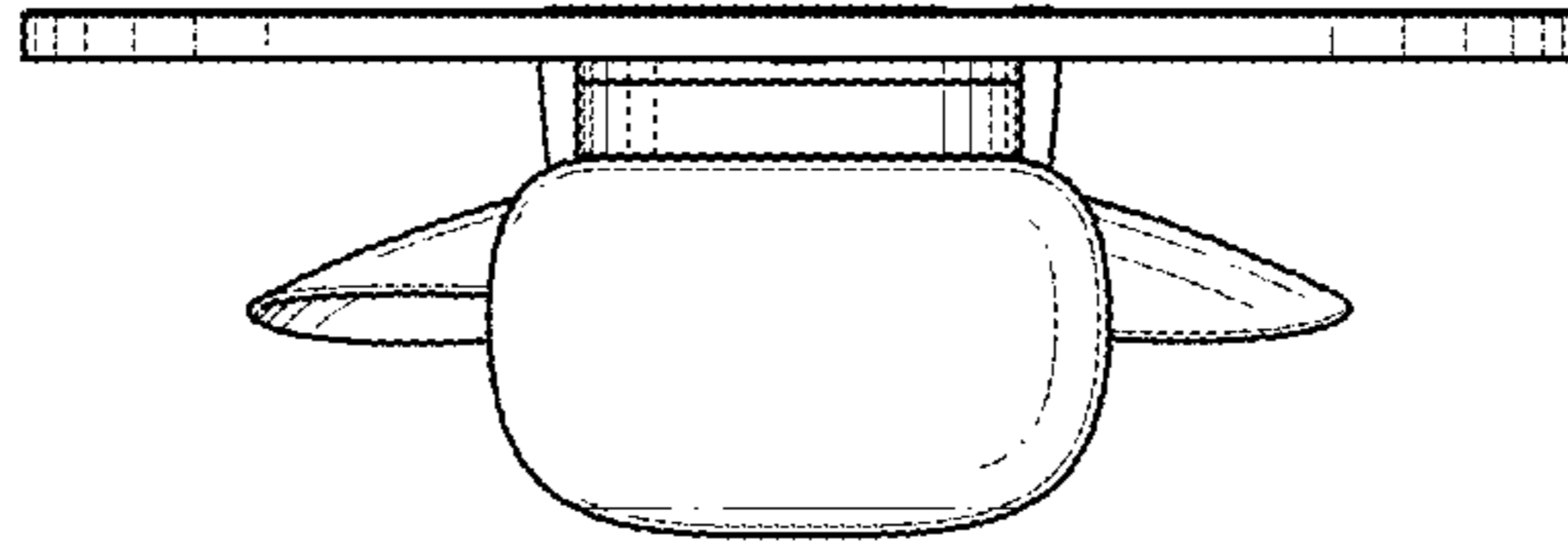


Fig. 6

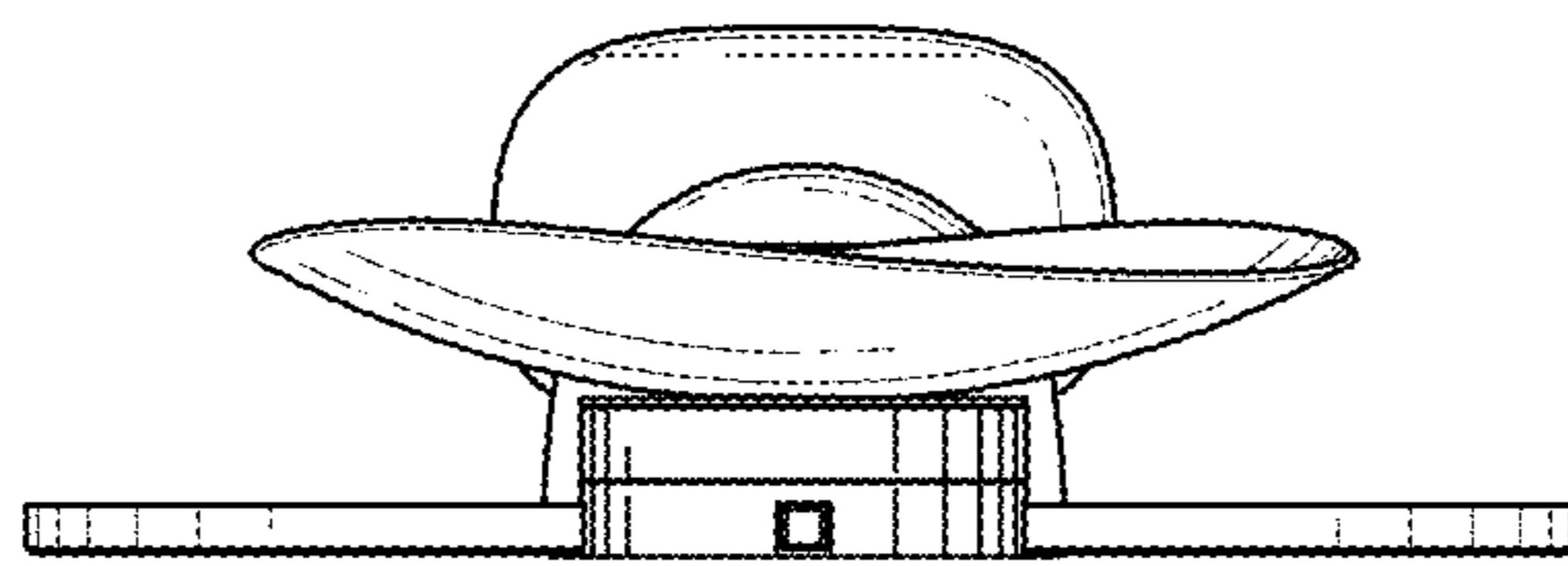


Fig. 7