



US00D862768S

(12) **United States Design Patent**
Richardson

(10) **Patent No.:** **US D862,768 S**

(45) **Date of Patent:** **** Oct. 8, 2019**

(54) **HANGING LIGHT ASSEMBLY**

(71) Applicant: **Gold Crest LLC**, Santa Barbara, CA
(US)

(72) Inventor: **Pat Richardson**, Santa Barbara, CA
(US)

(73) Assignee: **Gold Crest, LLC**, Santa Barbara, CA
(US)

(**) Term: **15 Years**

(21) Appl. No.: **29/649,865**

(22) Filed: **Jun. 1, 2018**

(51) **LOC (12) Cl.** **26-03**

(52) **U.S. Cl.**
USPC **D26/84**

(58) **Field of Classification Search**
USPC D26/80, 81, 82, 83, 84, 85, 86, 88, 90,
D26/91, 131, 135

CPC F21S 8/03; F21S 8/04; F21S 8/043; F21S
8/046; F21S 8/06; F21S 8/061; F21S
8/063; F21S 8/065; F21S 8/068

See application file for complete search history.

(56) **References Cited**

U.S. PATENT DOCUMENTS

D35,141 S *	10/1901	Green	D26/131
D38,155 S *	8/1906	Bates	D26/84
D38,448 S *	2/1907	Noe, Jr.	D26/131
D40,995 S *	11/1910	Gardiner	D26/88
D50,208 S *	1/1917	Peck	D26/131
D57,419 S *	3/1921	Adam	D26/88
D73,864 S *	11/1927	Owen	D26/131
D74,314 S *	1/1928	Owen	D26/131
D77,096 S *	12/1928	Maerz	D26/88
D105,452 S *	7/1937	Jaffe et al.	D26/88
D208,203 S *	8/1967	Poling	D26/81
4,238,816 A	12/1980	Merlo		

4,432,042 A	2/1984	Zeller	
D283,056 S	3/1986	Ansems	
D301,753 S	6/1989	Charet et al.	
D304,768 S *	11/1989	Dicola D26/84
D328,358 S	7/1992	Tsang	

(Continued)

OTHER PUBLICATIONS

Brayden Studio Quintero 1-Light Teardrop Pendant, SKU: BYST6507.
From wayfair.com visited May 8, 2019. (Year: 2019).*

(Continued)

Primary Examiner — Clare E Heflin

(74) *Attorney, Agent, or Firm* — Tsircou Law, P.C.

(57) **CLAIM**

I claim the ornamental design for a hanging light assembly,
as shown and described.

DESCRIPTION

FIG. 1 a perspective view of a hanging light assembly
showing the new design.

FIG. 2 is a front view of the hanging light assembly of FIG.
1.

FIG. 3 is a top plan view of the hanging light assembly of
FIG. 1.

FIG. 4 is a bottom plan view of the hanging light assembly
of FIG. 1.

FIG. 5 is a side view of the hanging light assembly of FIG.
1.

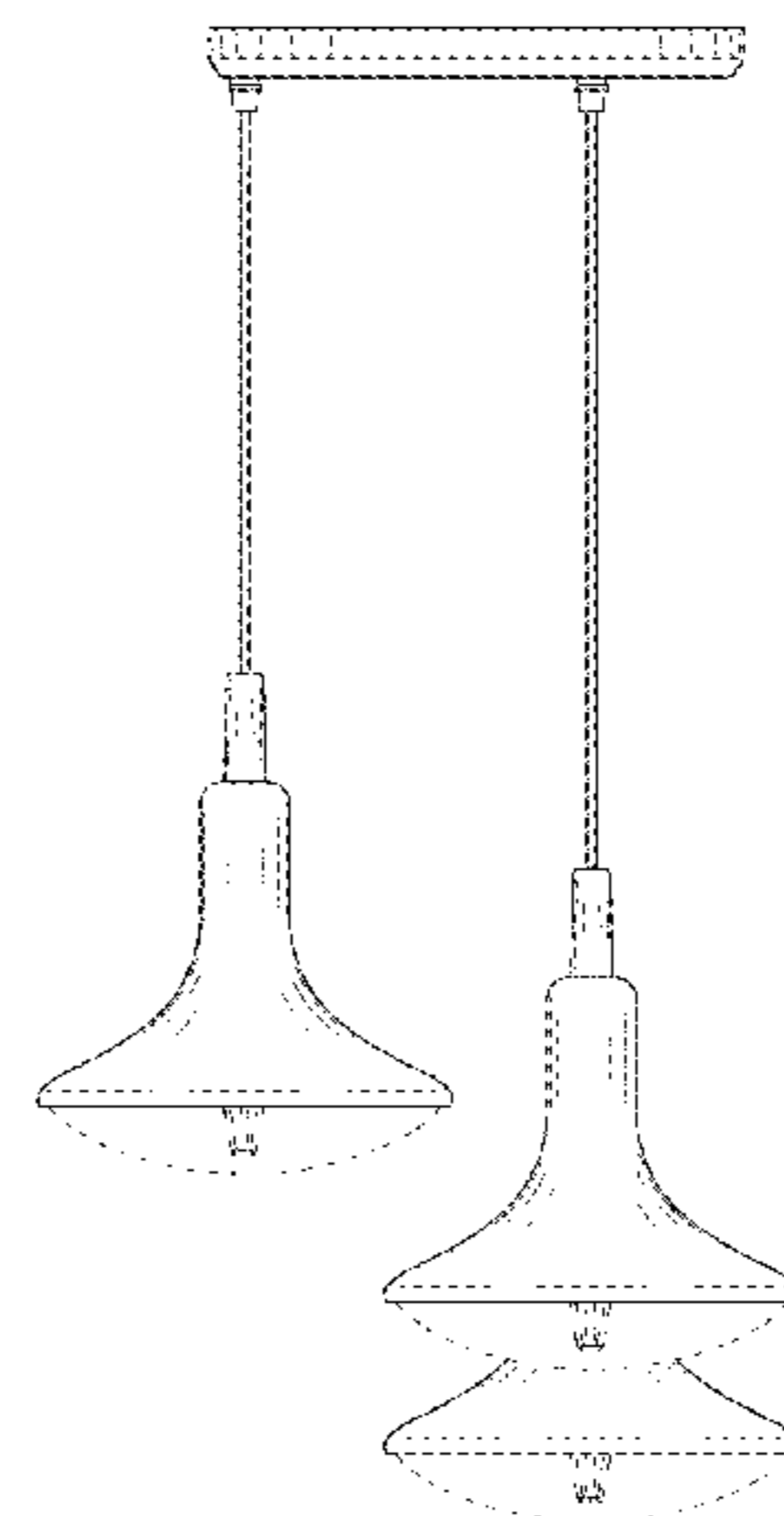
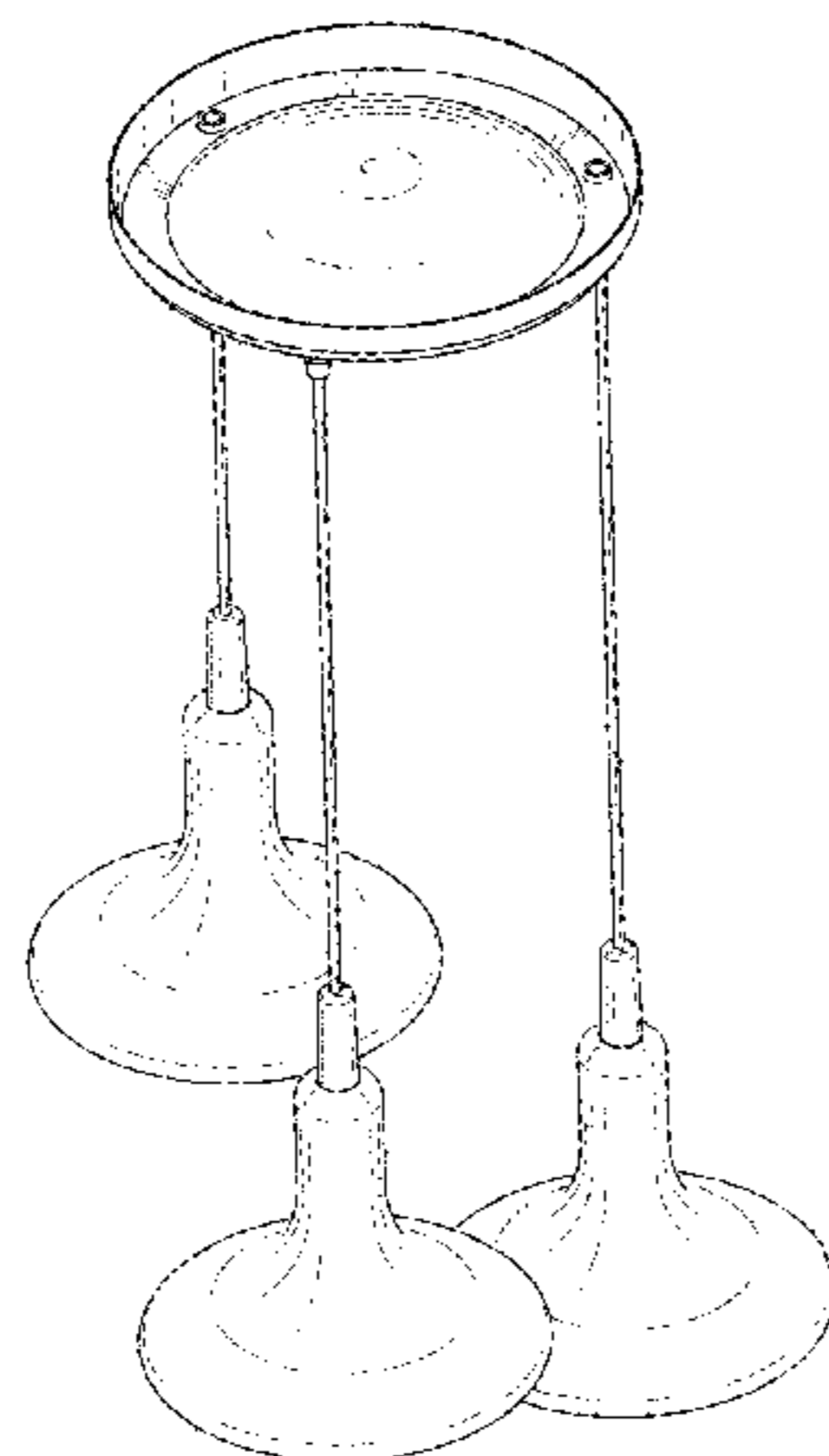
FIG. 6 is an opposite side view of the hanging light assembly
of FIG. 1.

FIG. 7 is a rear view of the hanging light assembly of FIG.
1; and,

FIG. 8 is an enlarged cross sectional view, taken along line
A-A in FIG. 5, of the axially symmetric base of the hanging
light assembly of FIG. 1.

The dashed lines shown on the drawings depict portions of
the hanging light assembly that form no part of the claimed
design.

1 Claim, 8 Drawing Sheets



(56)

References Cited

U.S. PATENT DOCUMENTS

5,613,771 A 3/1997 Siverling
 D397,468 S 8/1998 Zeller
 5,822,546 A 10/1998 George
 D411,639 S 6/1999 Yang
 D418,240 S 12/1999 Sherman
 D425,651 S 5/2000 Gager et al.
 D427,703 S 7/2000 Chan
 D435,679 S 12/2000 Naghi et al.
 6,172,884 B1 1/2001 Lanni
 D446,337 S * 8/2001 Benghozi D26/86
 D448,104 S 9/2001 Weitzman et al.
 6,361,184 B1 3/2002 Hallgrimsson et al.
 D456,923 S 5/2002 Konig
 6,386,724 B2 5/2002 Naghi
 6,465,987 B1 10/2002 Haas et al.
 D476,106 S 6/2003 Kim
 6,586,849 B2 7/2003 Tarr
 6,680,844 B2 1/2004 Kim
 6,711,006 B2 3/2004 Chen
 D490,553 S 5/2004 Waldmann
 6,749,314 B2 6/2004 Naghi et al.
 6,773,192 B1 8/2004 Chao
 6,808,289 B2 10/2004 Reed
 D498,322 S 11/2004 Schnell
 6,851,819 B2 2/2005 Naghi et al.
 D506,279 S 6/2005 Sirichai et al.
 6,921,284 B2 7/2005 Sirichai et al.
 7,004,596 B2 2/2006 Merrem
 D522,677 S 6/2006 Ming
 D526,340 S 8/2006 Hodgson
 D529,651 S 10/2006 Chan
 D562,485 S 2/2008 Brown
 D567,431 S 4/2008 Garner et al.
 D589,645 S 3/2009 Citterio
 7,541,692 B2 6/2009 Hirst et al.
 D608,925 S 1/2010 Hodgson
 7,649,279 B2 1/2010 Lanni
 7,727,031 B2 6/2010 Lord
 D629,132 S 12/2010 Huang
 D636,513 S 4/2011 Furtsch
 D641,902 S 7/2011 Chan
 D649,674 S * 11/2011 Sabernig D26/84
 D669,627 S 10/2012 Huang
 D688,289 S 8/2013 Hodgson

D698,962 S 2/2014 Waldmann
 D700,391 S * 2/2014 Sabernig D26/84
 D709,637 S * 7/2014 Terzani D26/83
 D725,306 S * 3/2015 Salvagno D26/84
 D744,153 S 11/2015 Hodgson
 D744,693 S 12/2015 Kitts
 D754,382 S 4/2016 van Oord
 D754,909 S * 4/2016 Toft Hansen D26/88
 D768,077 S 10/2016 Wahl
 D768,908 S 10/2016 Fisher et al.
 D769,512 S 10/2016 Edgar et al.
 D776,336 S 1/2017 Ng et al.
 D788,961 S 6/2017 Edgar et al.
 D788,962 S 6/2017 Edgar et al.
 D788,974 S 6/2017 Edgar et al.
 D790,751 S 6/2017 Kaiser
 D802,201 S 11/2017 Xu
 D818,180 S * 5/2018 Gambrel D26/88
 D820,502 S * 6/2018 Hoffmann D26/88
 2001/0043468 A1 11/2001 Krietzman et al.
 2001/0048409 A1 12/2001 Kim
 2002/0186563 A1 12/2002 Krietzman et al.
 2003/0223228 A1 12/2003 Krietzman
 2004/0017677 A1 1/2004 Krietzman
 2004/0042735 A1 3/2004 Ma
 2004/0090795 A1 5/2004 Kim
 2005/0083677 A1 4/2005 Krietzman
 2006/0109620 A1 5/2006 Kim
 2017/0067625 A1 3/2017 Edgar et al.

OTHER PUBLICATIONS

Lantern Pendant from lyngard.com. © Lyngard 2018. (Year: 2018).*
 One Light Pendant SKU: 438778 from shop.elementsathome.com
 visited May 8, 2019. (Year: 2019).*
 Room Pendant Lights/ Luxury Glass Wine Bottles Shape Hanging
 Lamps/ from dhgate.com visited May 8, 2019. (Year: 2019).*
 85-265v Tom Dixon Pendant Lamp, at dhgate.com as early as Oct.
 1, 2018. (Year: 2018).*
 Josep Patsi, Sixties 00-3689-CI-CI, LEDS C4, Apr. 8, 2014, 3
 pages, (source: sparksdirect.co.uk).
 Josep Patsi, Sixties 00-3806-CI-CI, LEDS C4, Mar. 3, 2014, 4
 pages, (source: sparksdirect.co.uk).
 Lucidi E Pevere From Foscarini, Aplomb Mini Pendant Light, 2
 pages, (source: yliving.com).

* cited by examiner

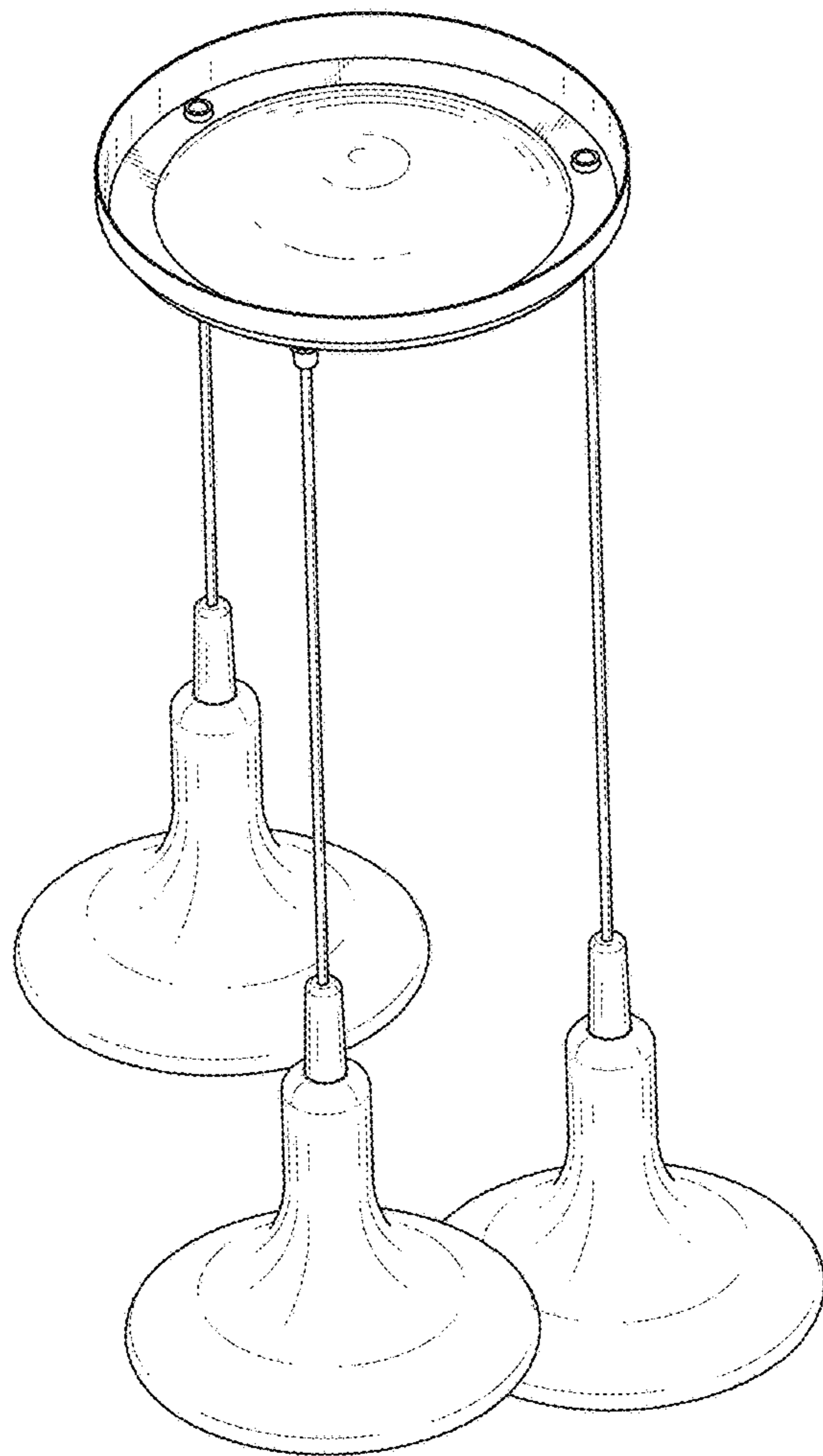


FIG. 1

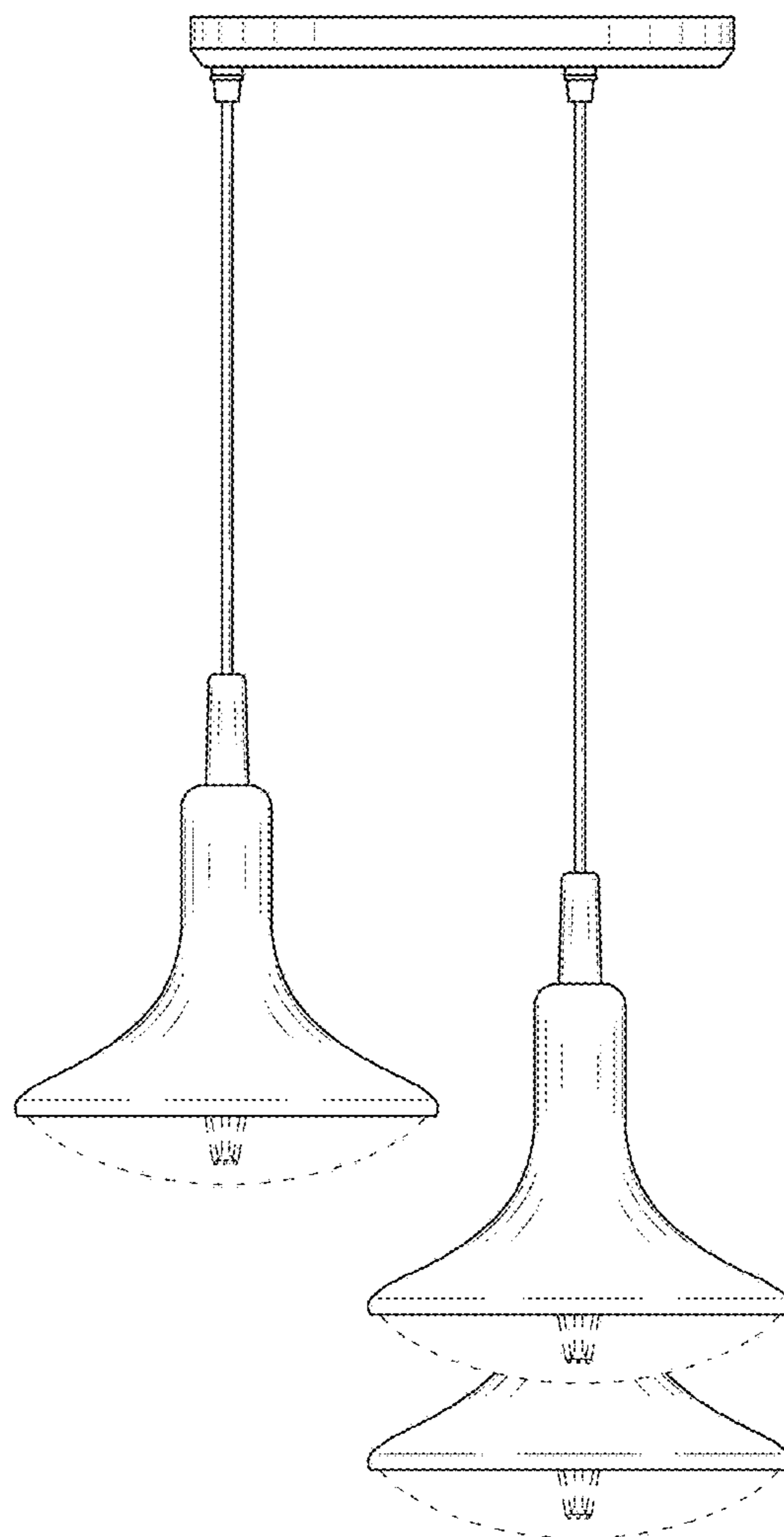


FIG. 2

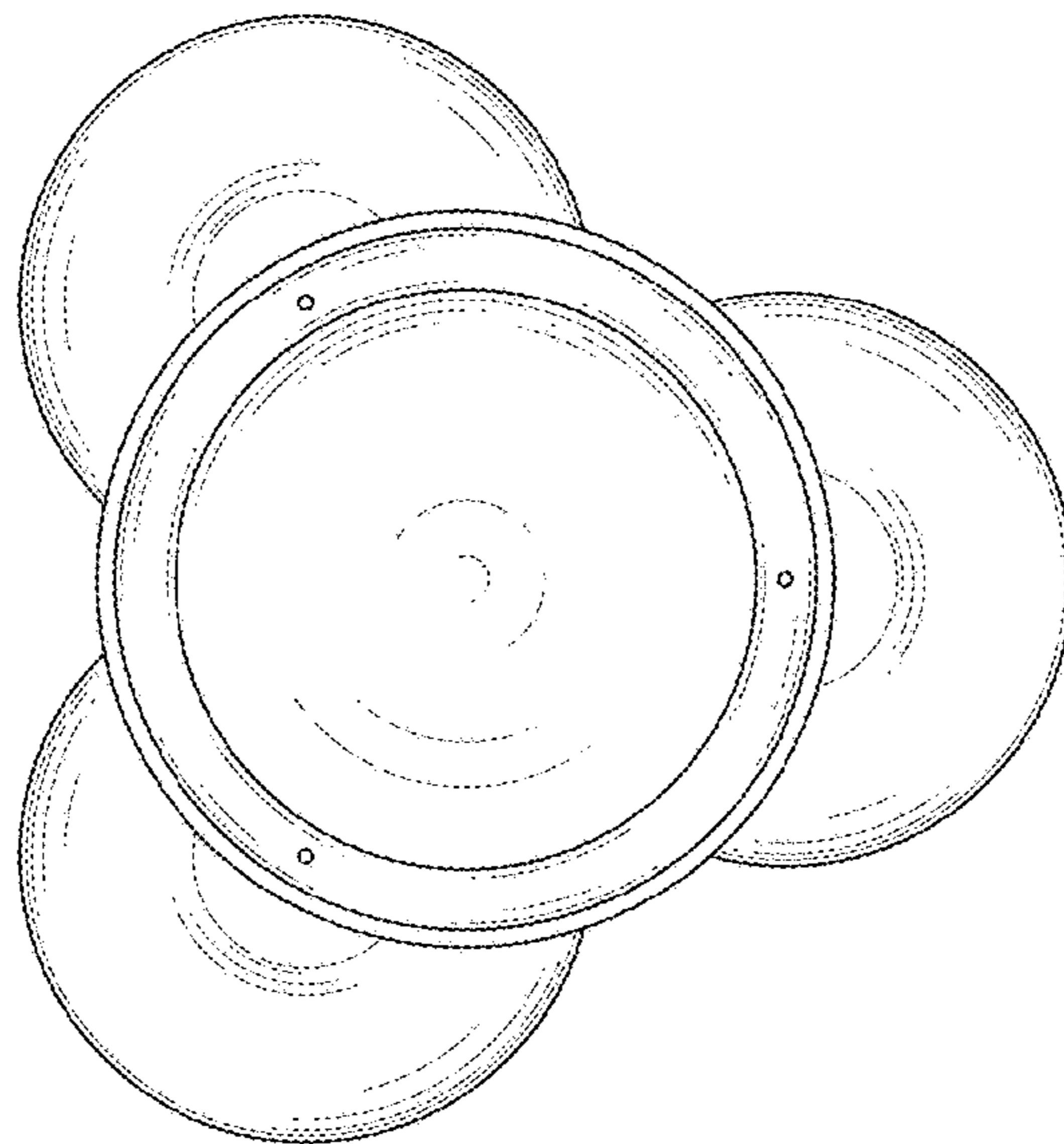


FIG. 3

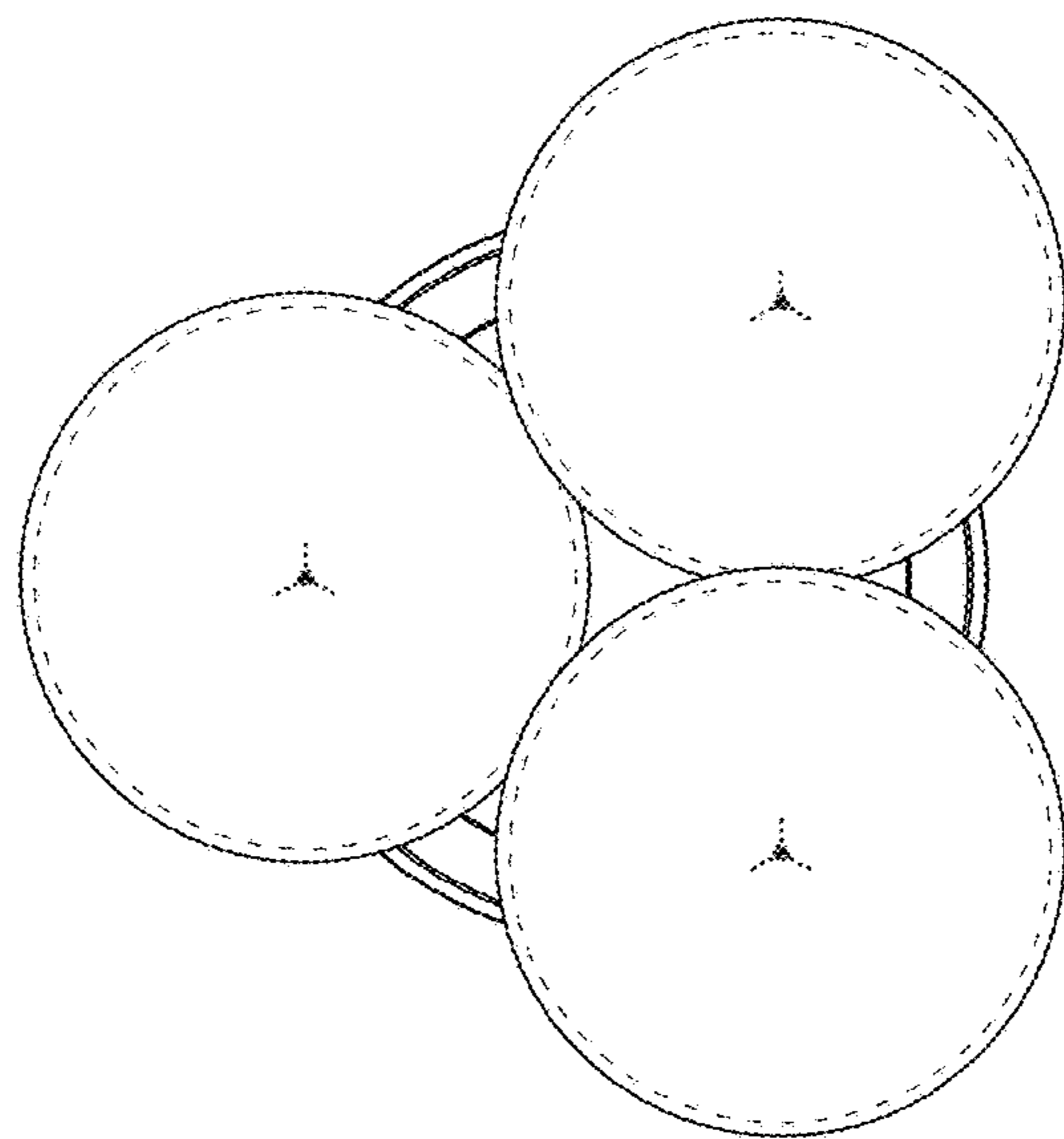


FIG. 4

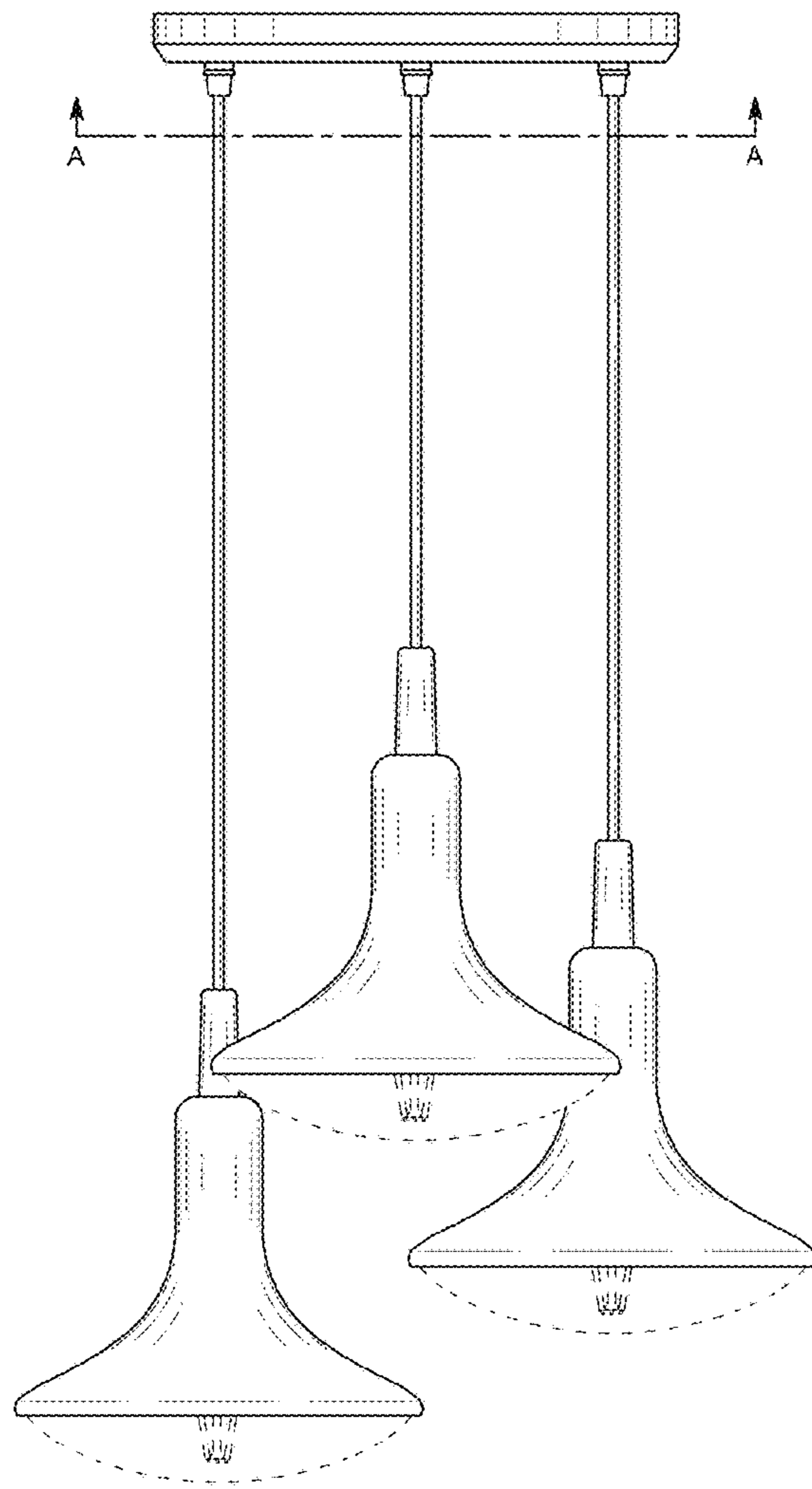


FIG.5

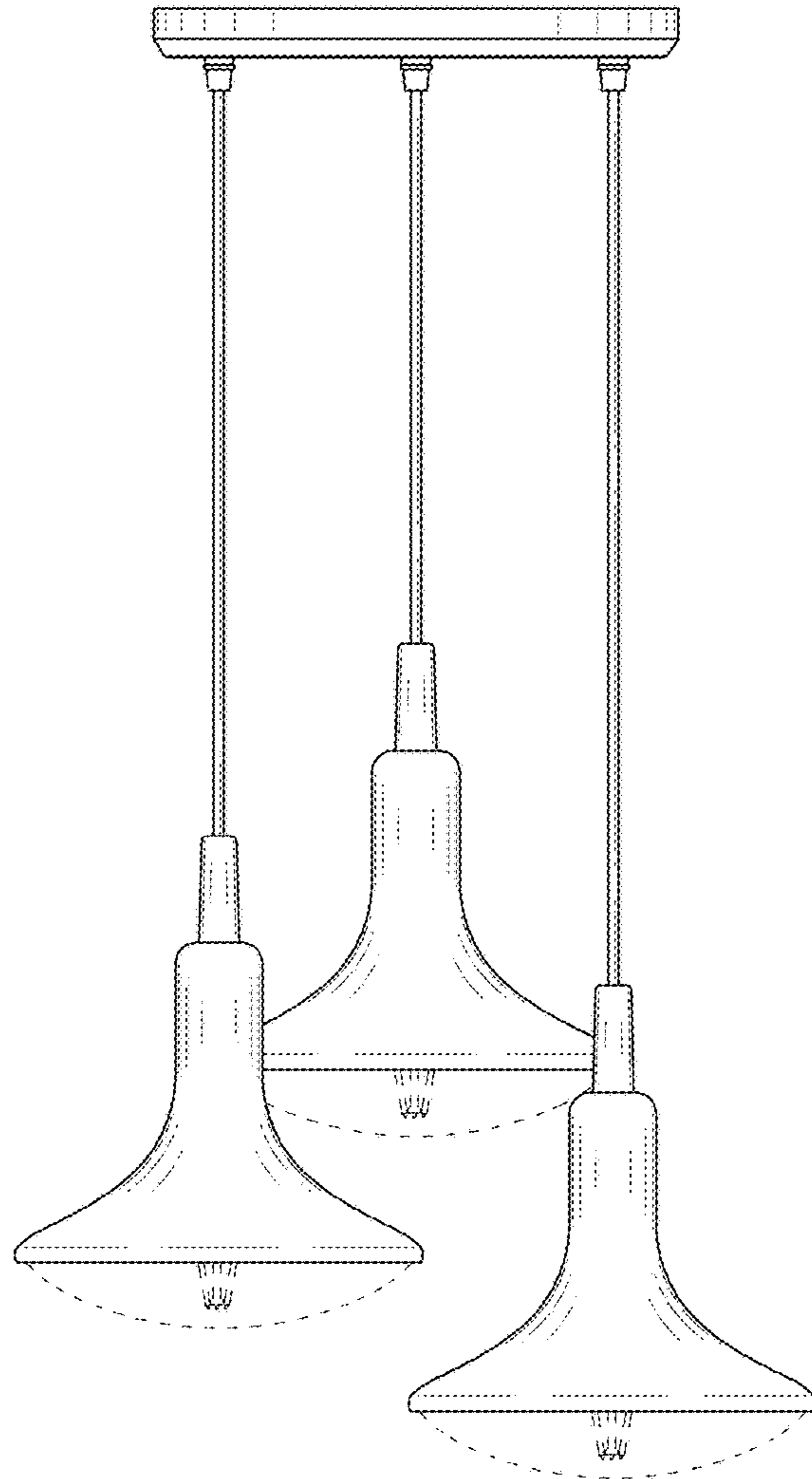


FIG. 6

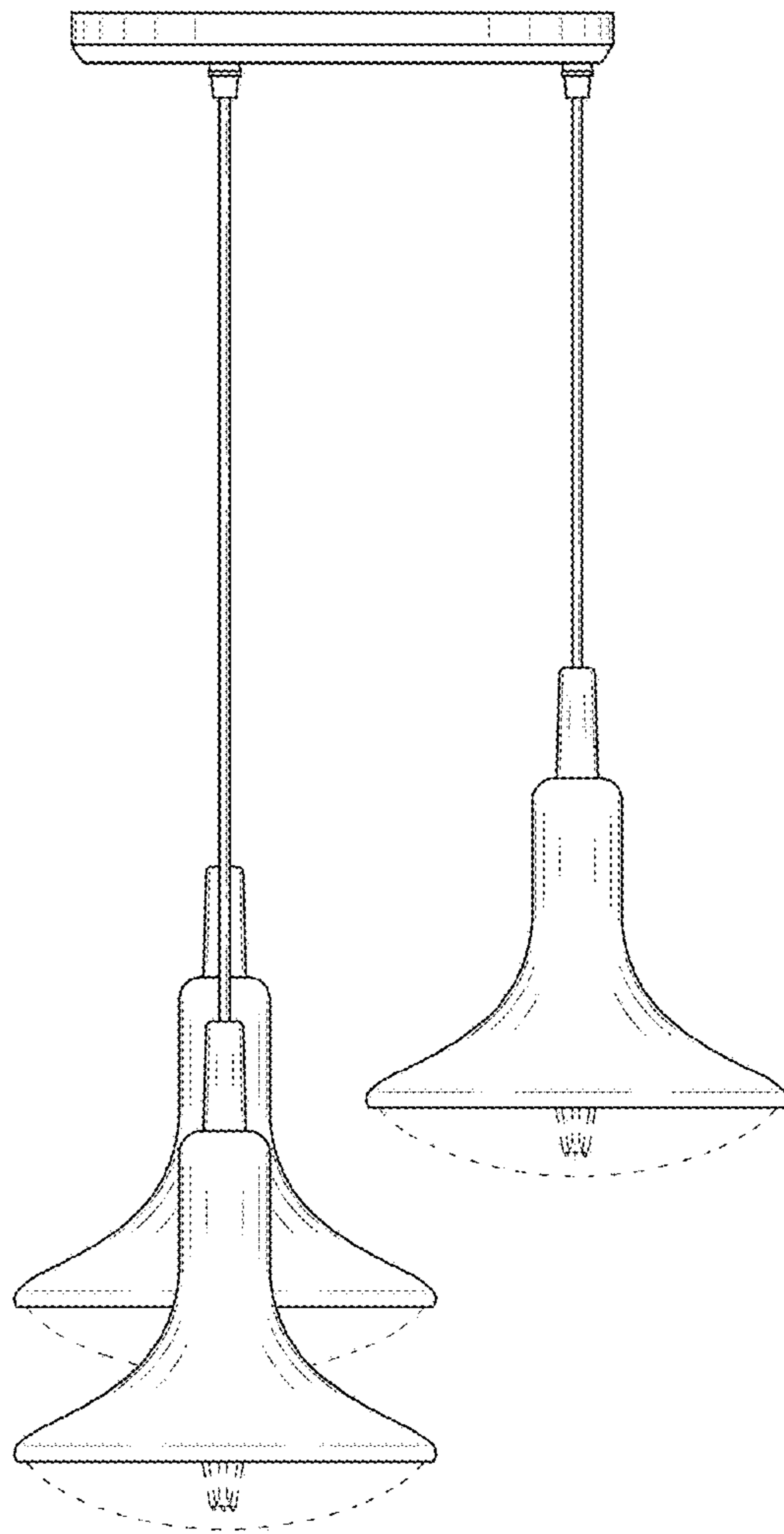


FIG. 7

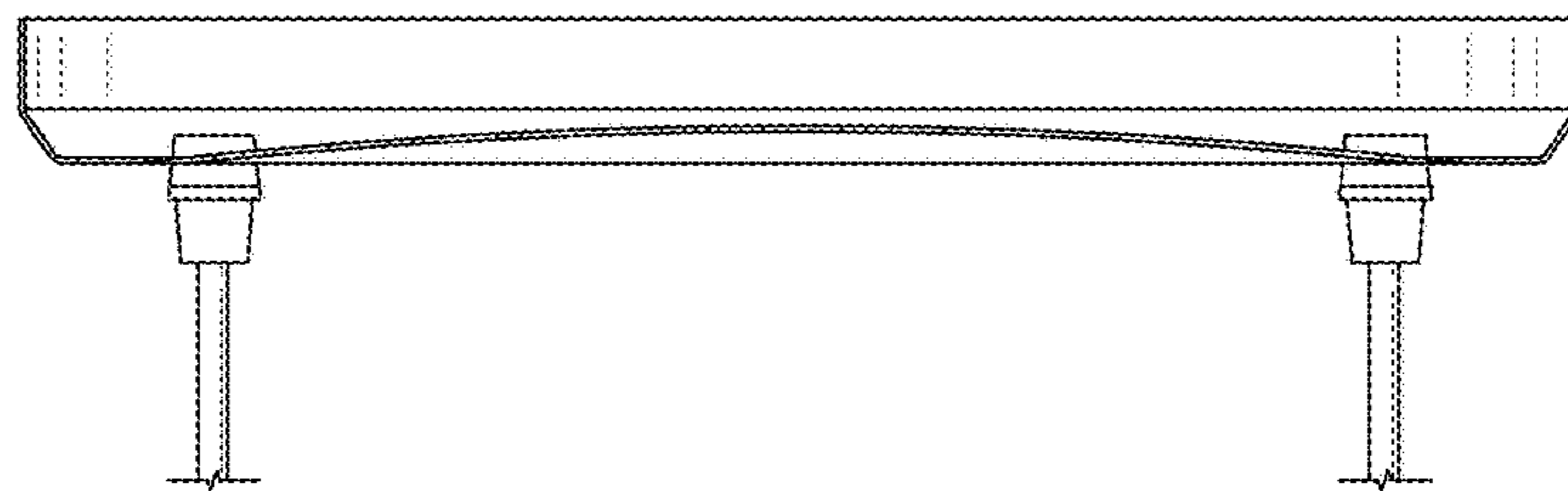


FIG. 8