



US00D862765S

(12) **United States Design Patent** (10) **Patent No.:** **US D862,765 S**  
**Leahy et al.** (45) **Date of Patent:** **\*\* Oct. 8, 2019**

(54) **LIGHTING FIXTURE**  
(71) Applicant: **Lumenture, LLC**, Redding, CT (US)  
(72) Inventors: **James D. Leahy**, Redding, CT (US);  
**Andrew F. Sack**, Redding, CT (US)  
(73) Assignee: **Lumenture, LLC**, Redding, CT (US)  
(\*\*) Term: **15 Years**  
(21) Appl. No.: **29/629,786**  
(22) Filed: **Dec. 15, 2017**  
(51) **LOC (12) Cl.** ..... **26-05**  
(52) **U.S. Cl.**  
USPC ..... **D26/74**  
(58) **Field of Classification Search**  
USPC ..... D26/74, 72, 75, 76, 77, 78, 85, 88, 89,  
D26/118, 138, 141; 362/364, 365, 373,  
362/145, 146, 147, 148, 150, 153, 153.1,  
362/294, 296.01, 296, 296.08  
CPC ..... F21V 29/2262; F21V 7/06; F21V 21/044;  
F21V 21/047; F21V 29/2212; F21V  
29/2225; F21V 29/2256; F21V 29/225;  
F21V 29/2268; F21Y 2111/002; F21S  
8/02; F21S 8/026  
See application file for complete search history.

(56) **References Cited**  
U.S. PATENT DOCUMENTS  
D348,533 S \* 7/1994 Herst ..... D26/76  
D348,534 S \* 7/1994 Herst ..... D26/76  
D574,478 S \* 8/2008 Miyake ..... D23/371  
D592,348 S \* 5/2009 Trott ..... D26/118

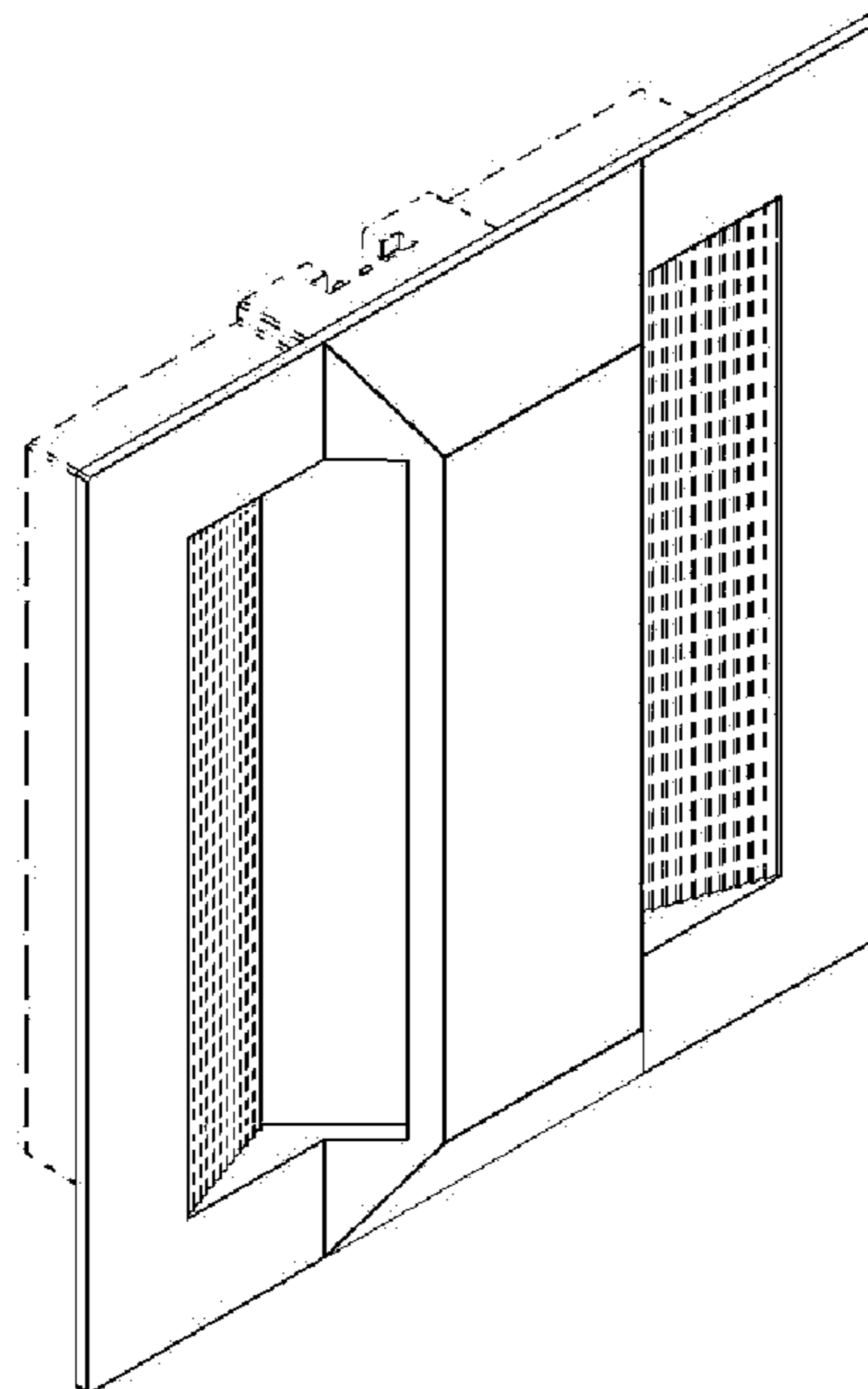
D638,975 S \* 5/2011 Hyland ..... D26/74  
D677,818 S \* 3/2013 Steele ..... D26/74  
D701,341 S \* 3/2014 Mayfield, III ..... D26/74  
D706,481 S \* 6/2014 Holland ..... D26/78  
D720,488 S \* 12/2014 Toyohisa ..... D26/74  
D724,774 S \* 3/2015 Mayfield, III ..... D26/74  
D730,556 S \* 5/2015 Toyohisa ..... D26/74  
D744,689 S \* 12/2015 Maxik ..... D26/74  
D807,557 S \* 1/2018 Stromborg ..... D26/74

\* cited by examiner  
*Primary Examiner* — Angela J Lee  
(74) *Attorney, Agent, or Firm* — Crawford Maunu PLLC

(57) **CLAIM**  
The ornamental design for a lighting fixture, as shown and described.

**DESCRIPTION**  
FIG. 1 is a top, right perspective view of the lighting fixture;  
FIG. 2 is a top, left perspective view thereof;  
FIG. 3 is a top view thereof;  
FIG. 4 is a left side view thereof;  
FIG. 5 is a front end view thereof;  
FIG. 6 is a right side view thereof;  
FIG. 7 is a bottom left perspective view thereof;  
FIG. 8 is a bottom view thereof;  
FIG. 9 is a bottom right perspective view thereof; and,  
FIG. 10 is a back end view thereof.  
The broken lines are included for the purpose of illustrating the portions of the lighting fixture that form no part of the claimed design.

**1 Claim, 10 Drawing Sheets**



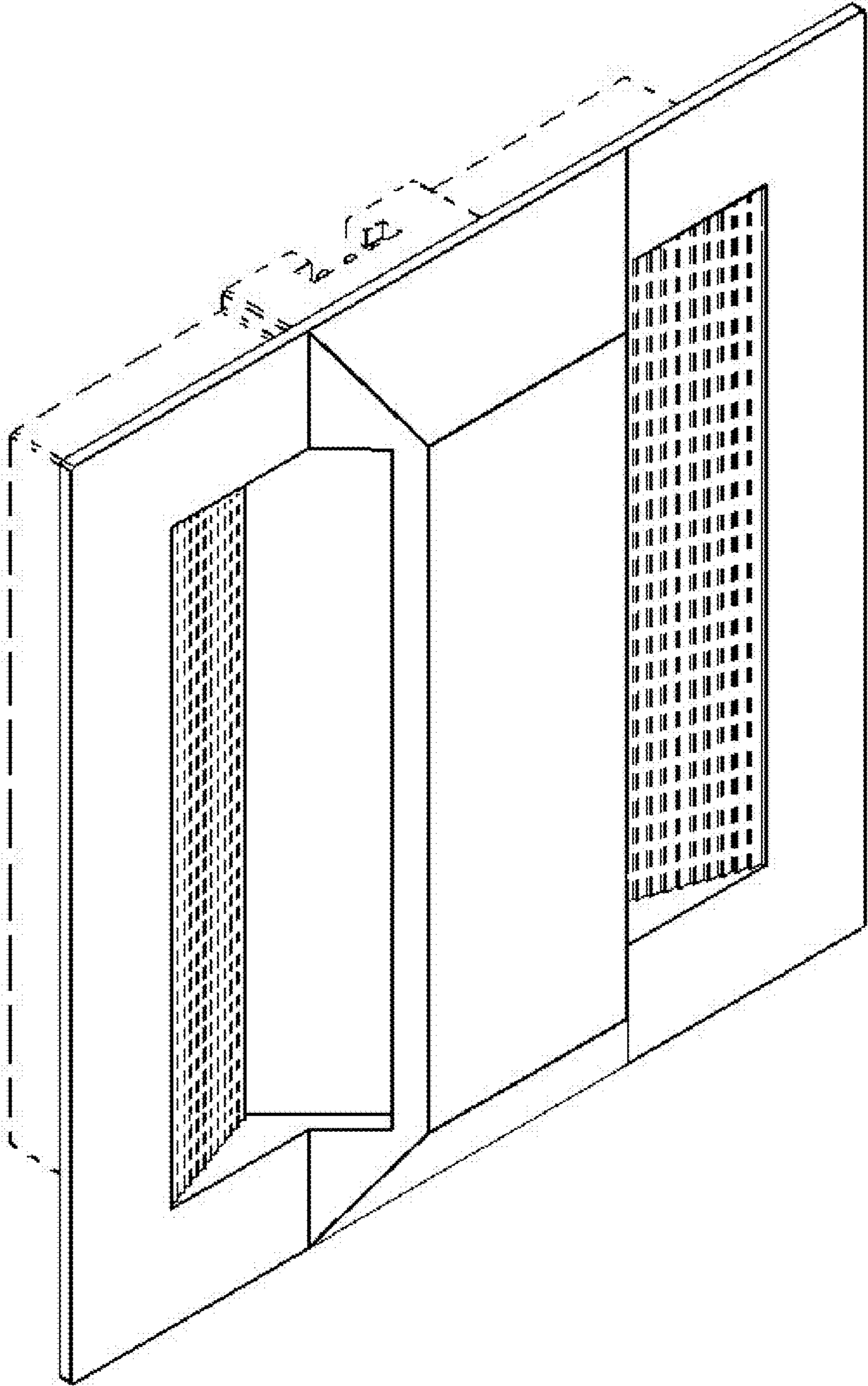


FIG. 1

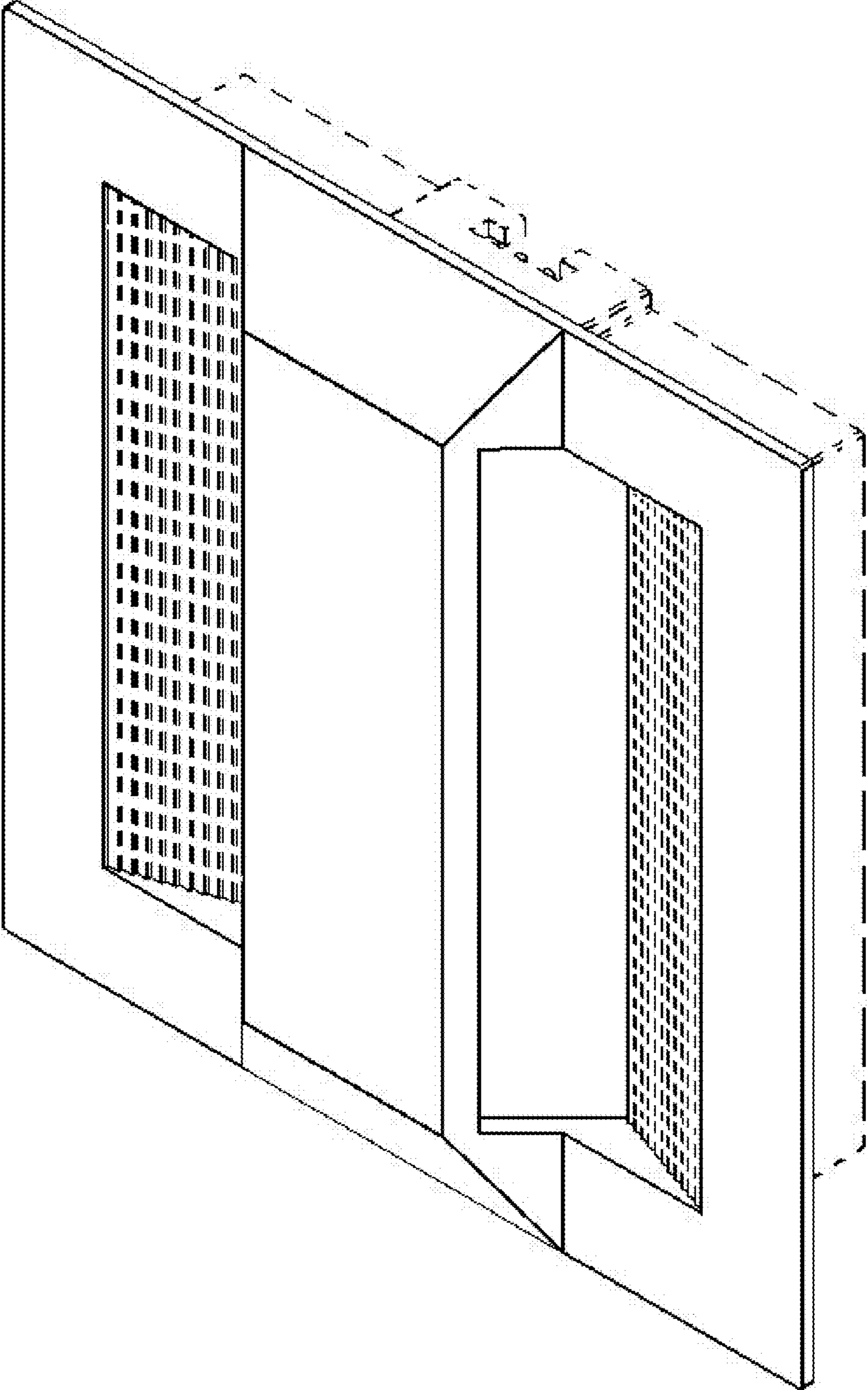


FIG. 2

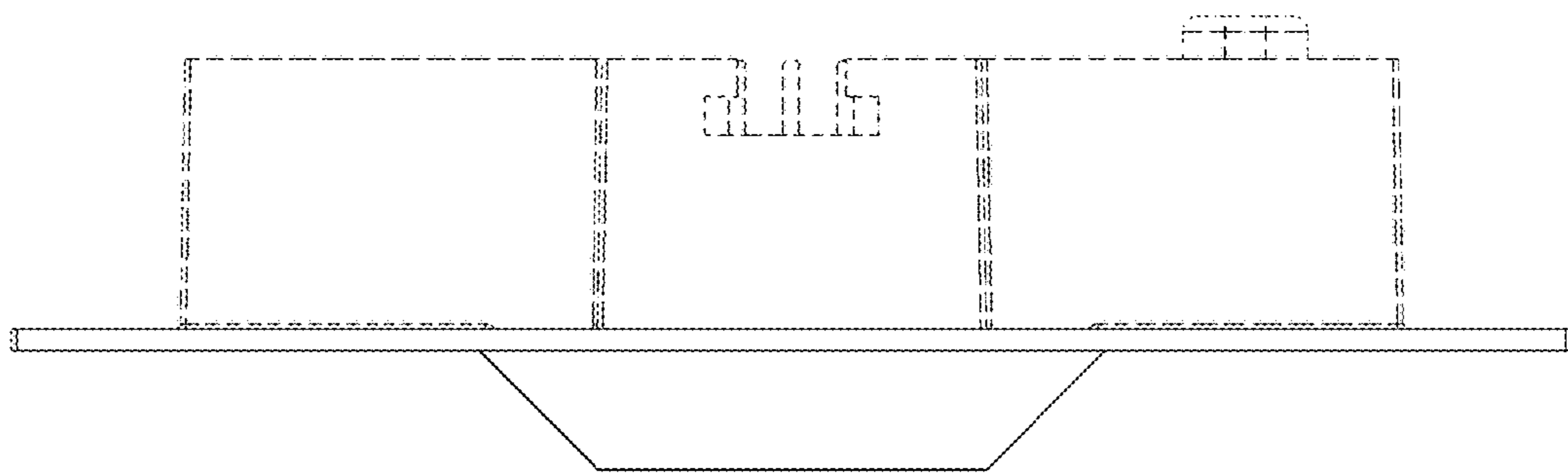


FIG. 3

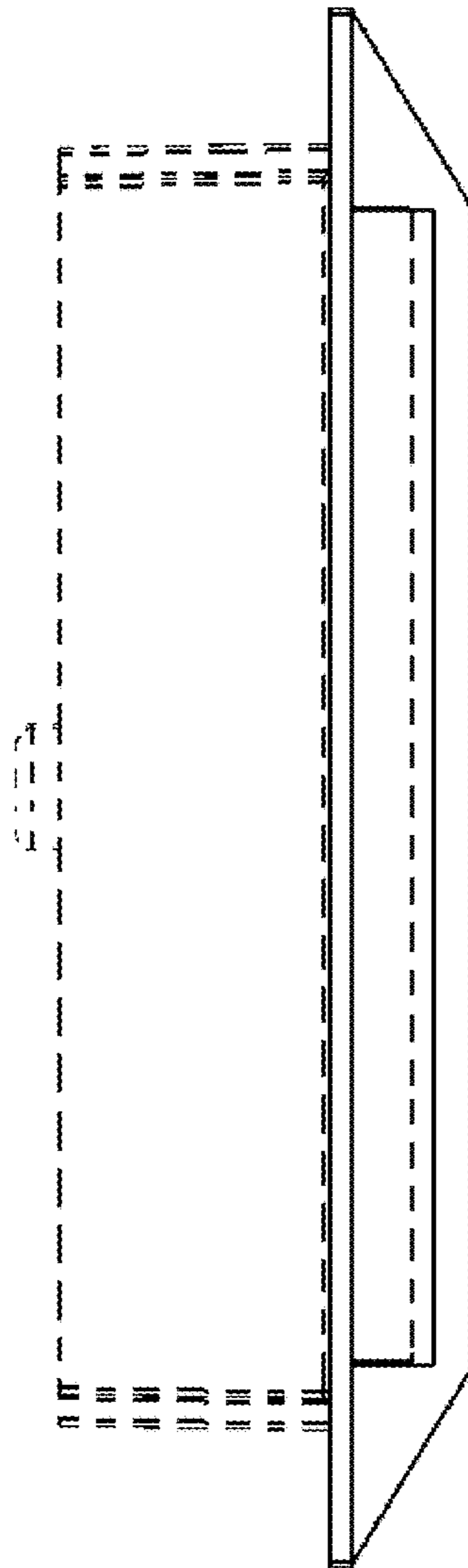


FIG. 4

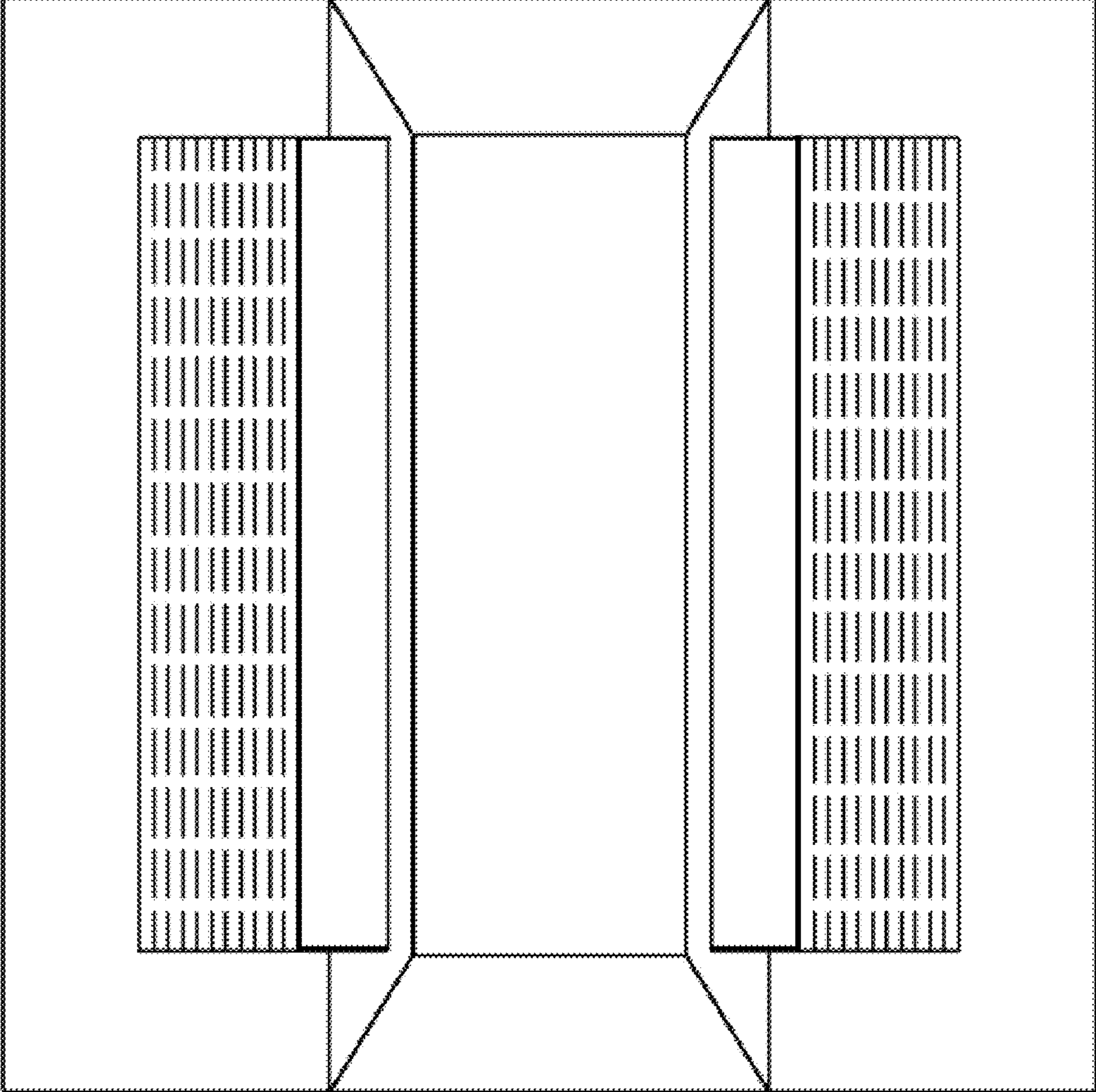


FIG. 5

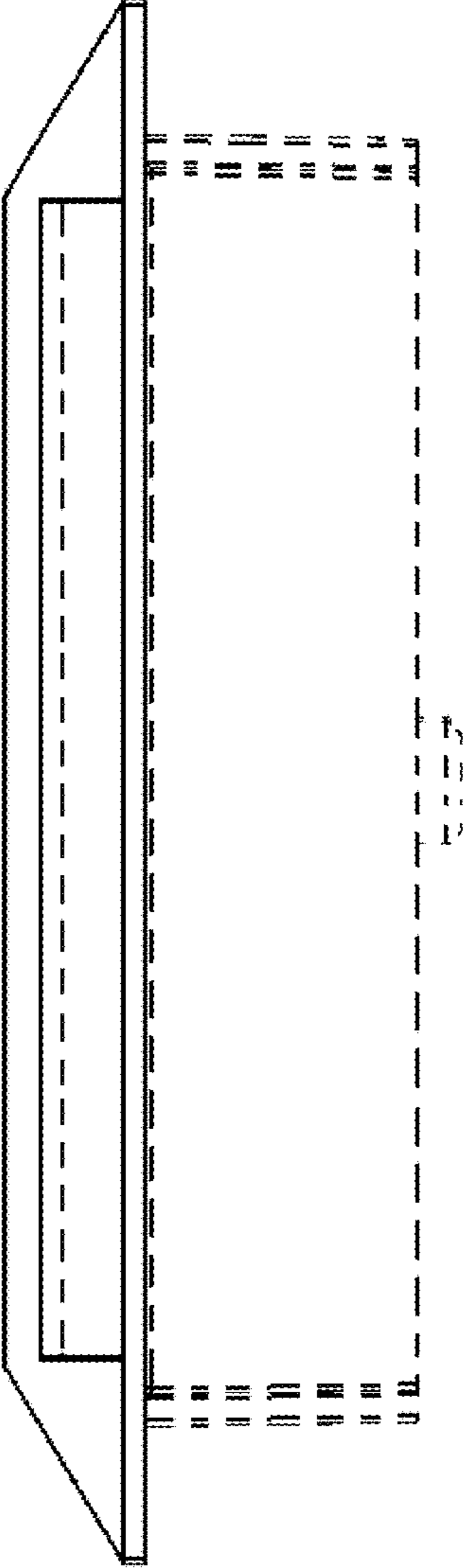


FIG. 6

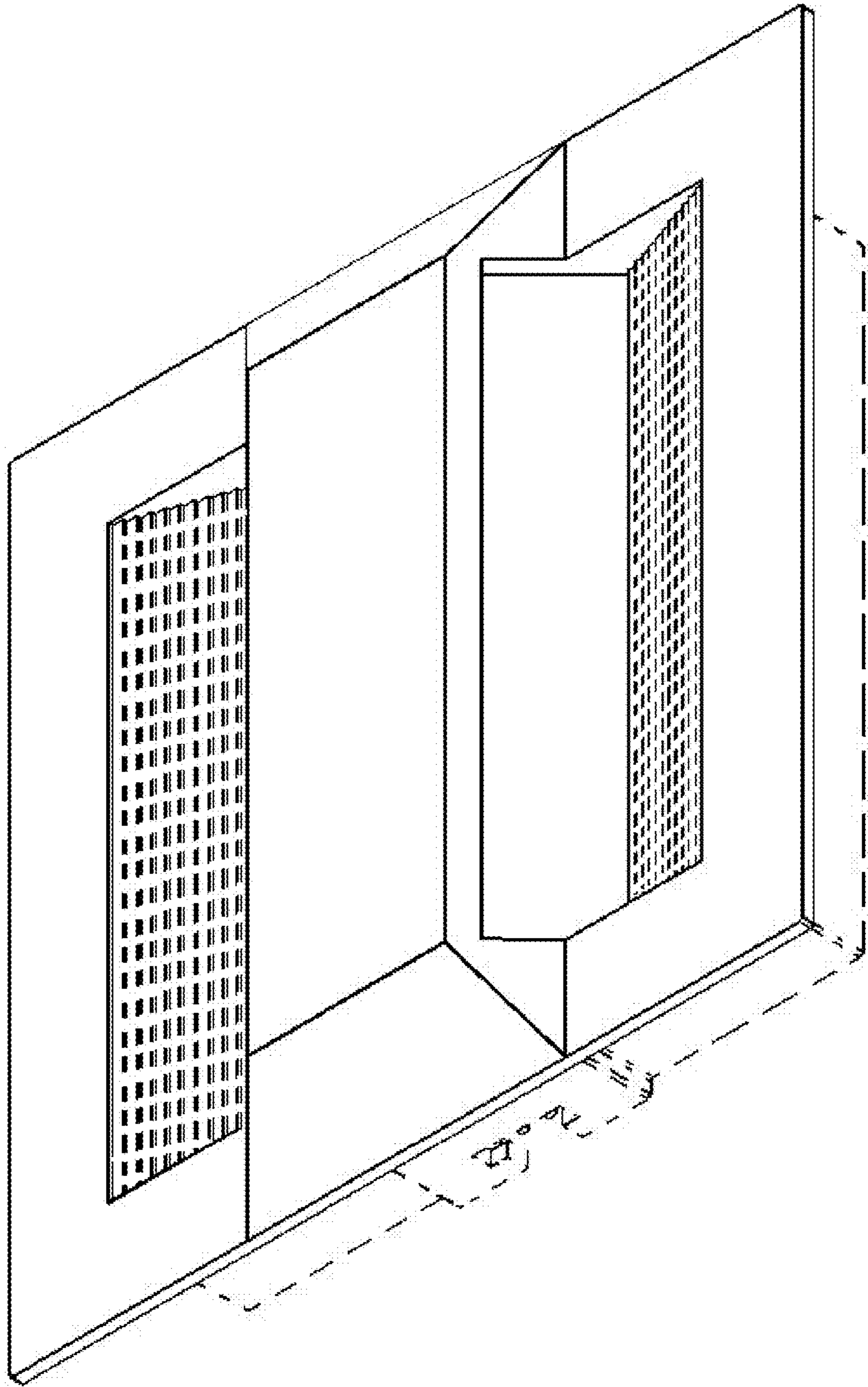


FIG. 7



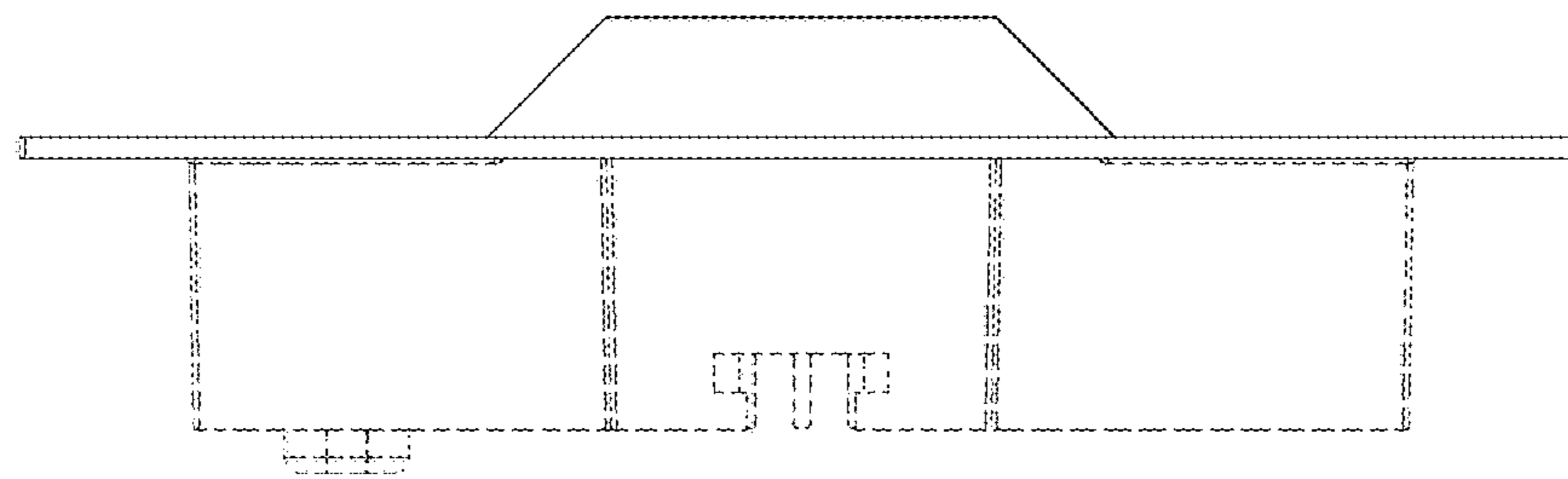


FIG. 8

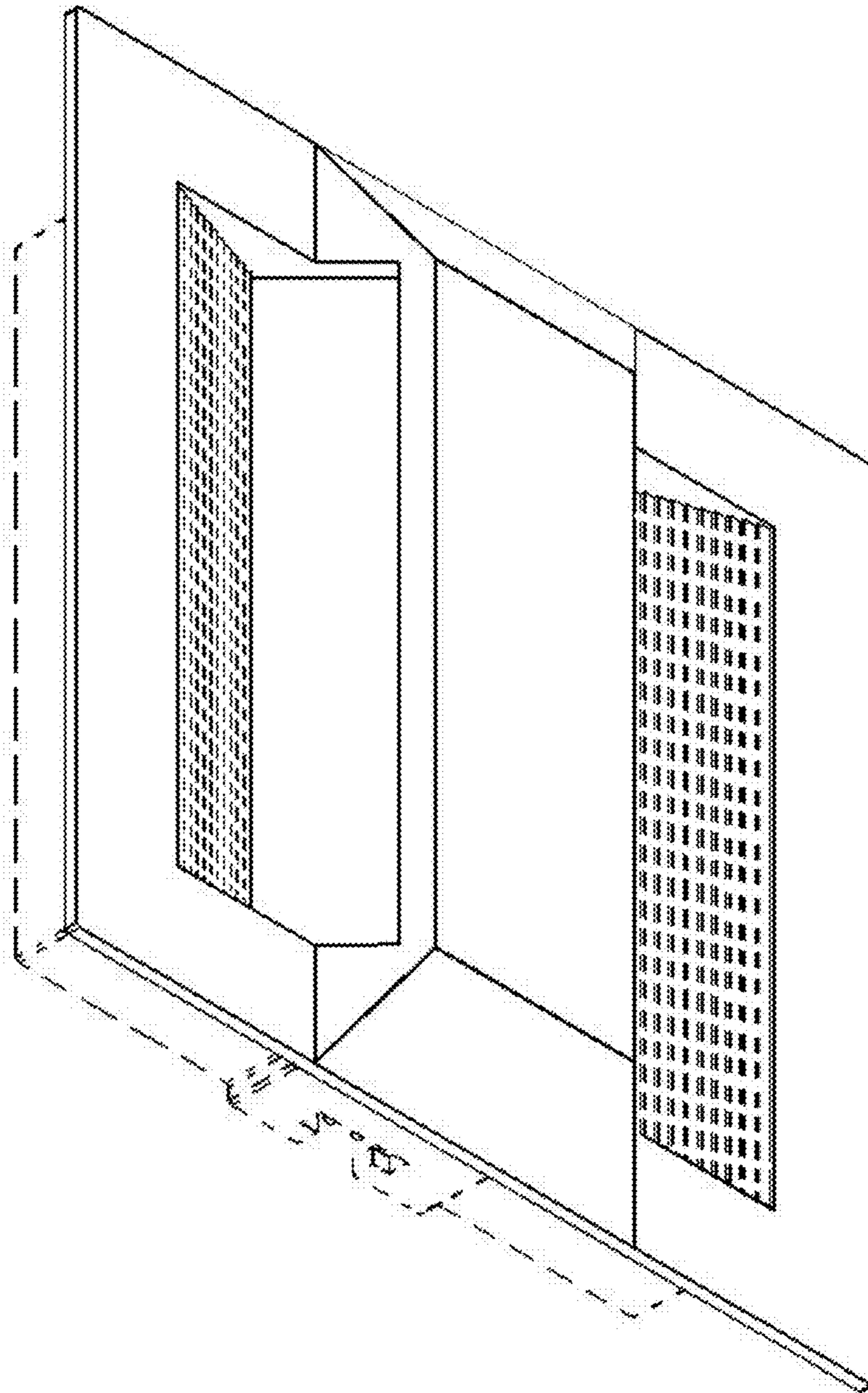


FIG. 9

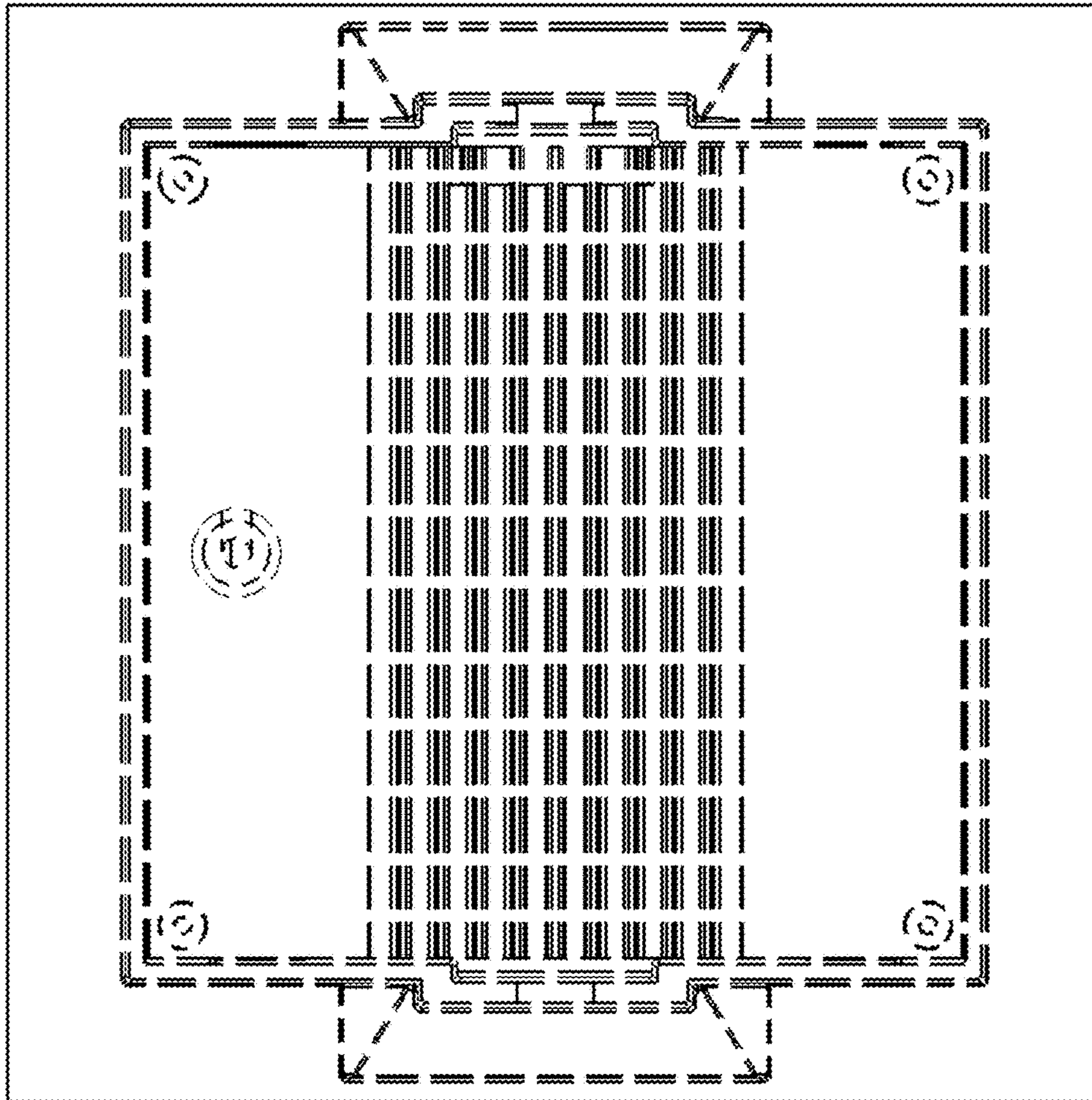


FIG. 10