

US00D862764S

(12) **United States Design Patent**
Deng

(10) **Patent No.:** **US D862,764 S**

(45) **Date of Patent:** **** Oct. 8, 2019**

(54) **LAMP FOR INDOOR PLANT**

(71) Applicant: **Baogang Deng**, Zhongshan (CN)

(72) Inventor: **Baogang Deng**, Zhongshan (CN)

(73) Assignee: **Zhongshan SuluxLight Co., Ltd**,
Zhongshan, Guangdong (CN)

(**) Term: **15 Years**

(21) Appl. No.: **29/622,193**

(22) Filed: **Oct. 16, 2017**

(51) **LOC (12) Cl.** **26-03**

(52) **U.S. Cl.**

USPC **D26/72**

(58) **Field of Classification Search**

USPC D26/72, 76, 78, 118

CPC F21S 8/04; F21W 2131/40; F21V 9/02;

F21V 5/02; F21V 5/002; F21V 7/005;

F21V 7/043; F21V 7/041; F21V 7/04;

F21V 29/00; F21V 29/02; A01G 9/20;

A01G 9/24

See application file for complete search history.

(56) **References Cited**

U.S. PATENT DOCUMENTS

D757,323 S * 5/2016 Reynolds D26/72

D762,320 S * 7/2016 Reynolds D26/72

D775,406 S * 12/2016 Hargreaves D26/118

D825,096 S * 8/2018 Reynolds D26/118

D825,827 S * 8/2018 Stanley D26/118

* cited by examiner

Primary Examiner — Brian N. Vinson

(57) **CLAIM**

The ornamental design for lamp for indoor plant, as shown and described.

DESCRIPTION

FIG. 1 is a perspective view of lamp for indoor plant showing my new design;

FIG. 2 is a bottom plan view thereof;

FIG. 3 is a left side elevational view thereof;

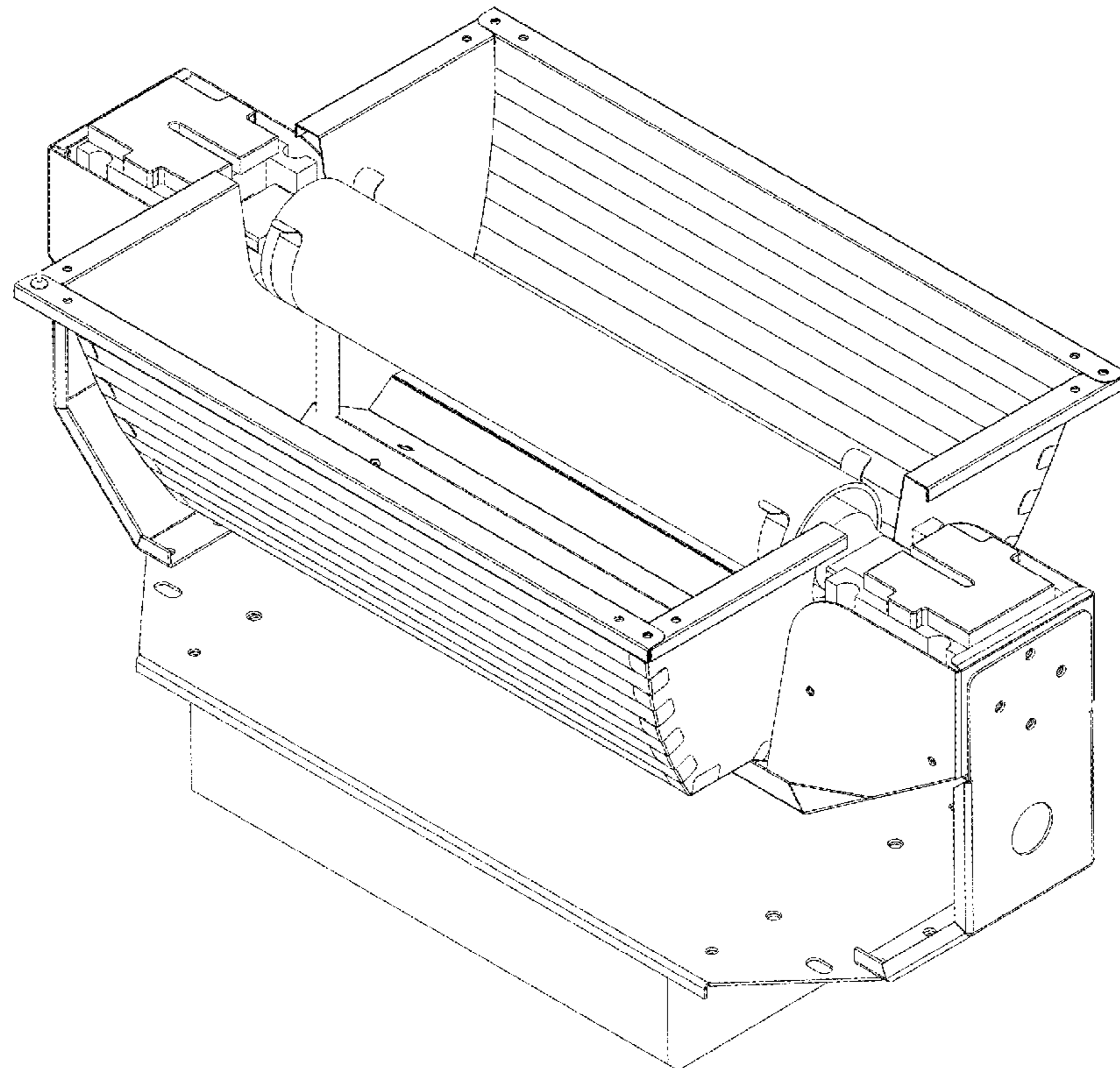
FIG. 4 is a top plan view thereof;

FIG. 5 is a front elevational view thereof;

FIG. 6 is a right side elevational view thereof; and,

FIG. 7 is a rear elevational view thereof.

1 Claim, 7 Drawing Sheets



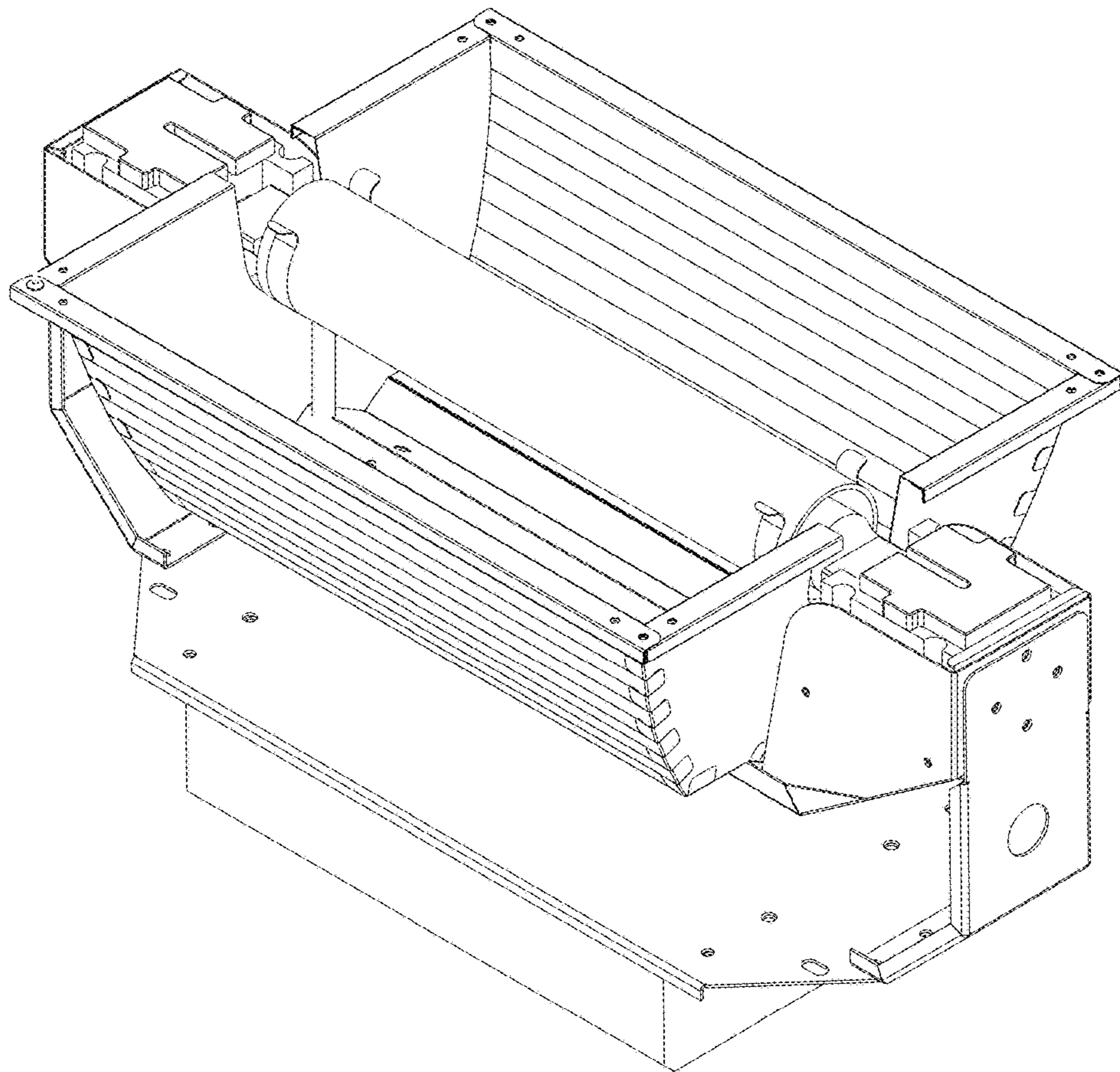


FIG.1

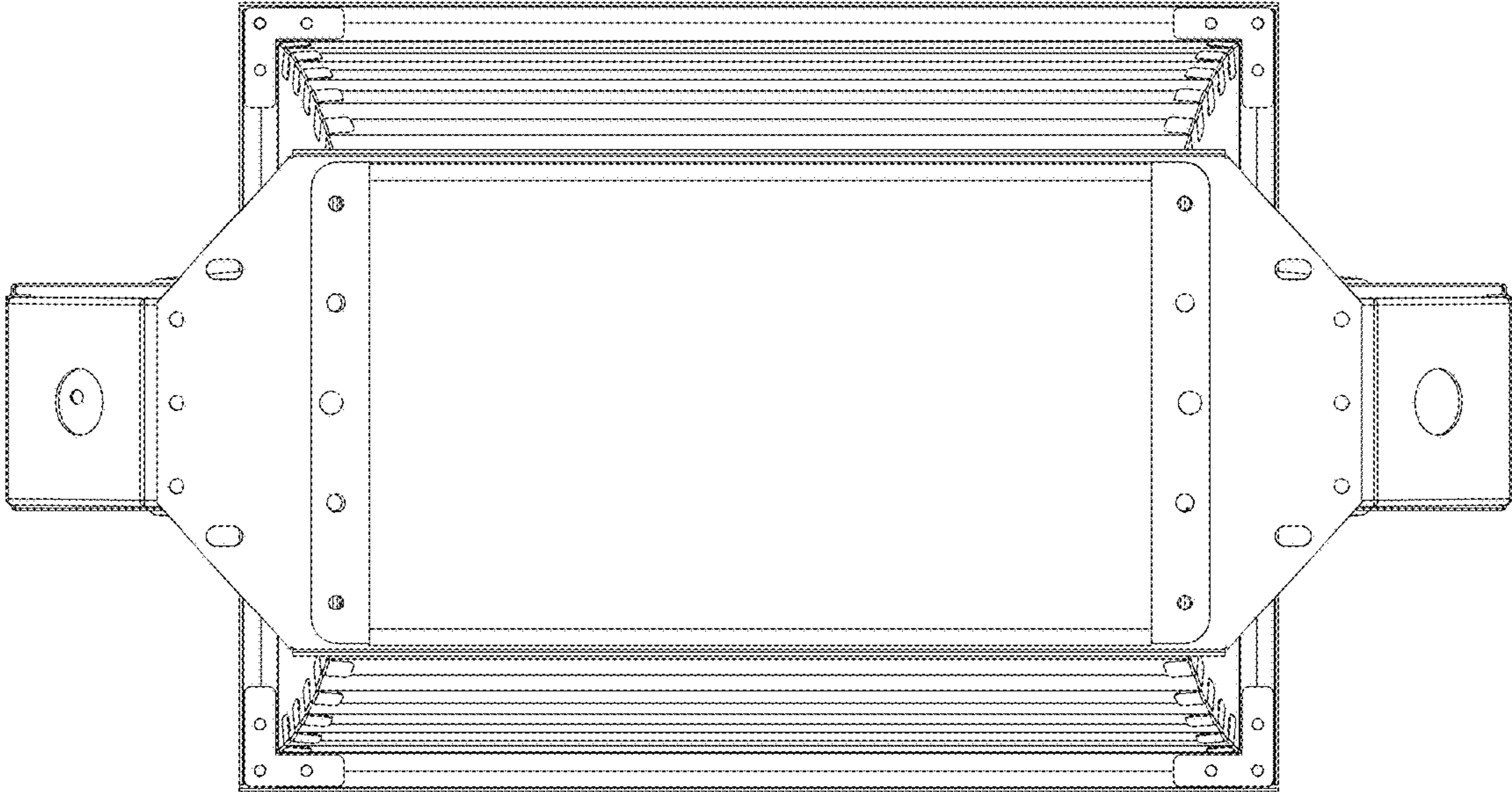


FIG.2

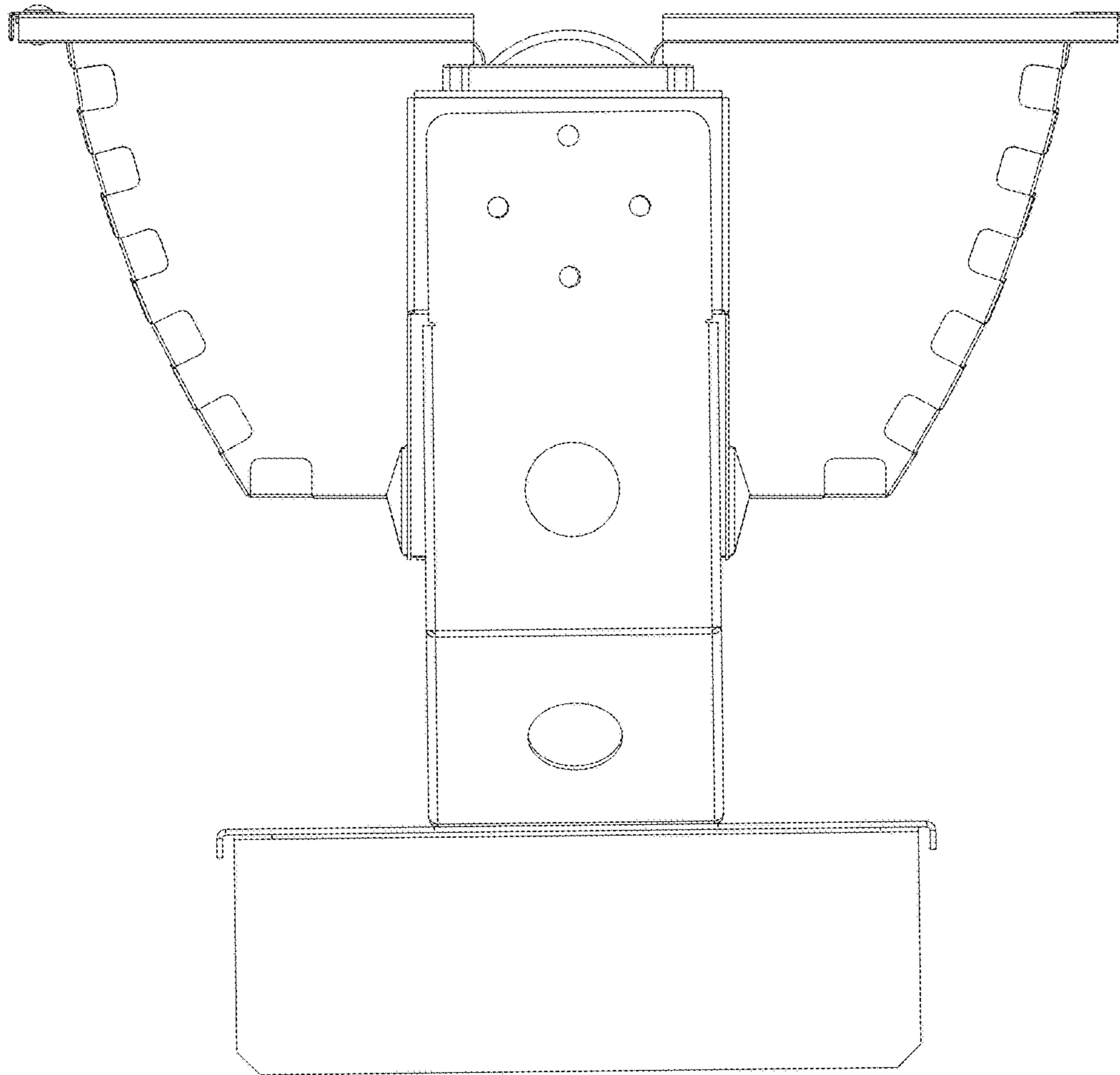


FIG.3

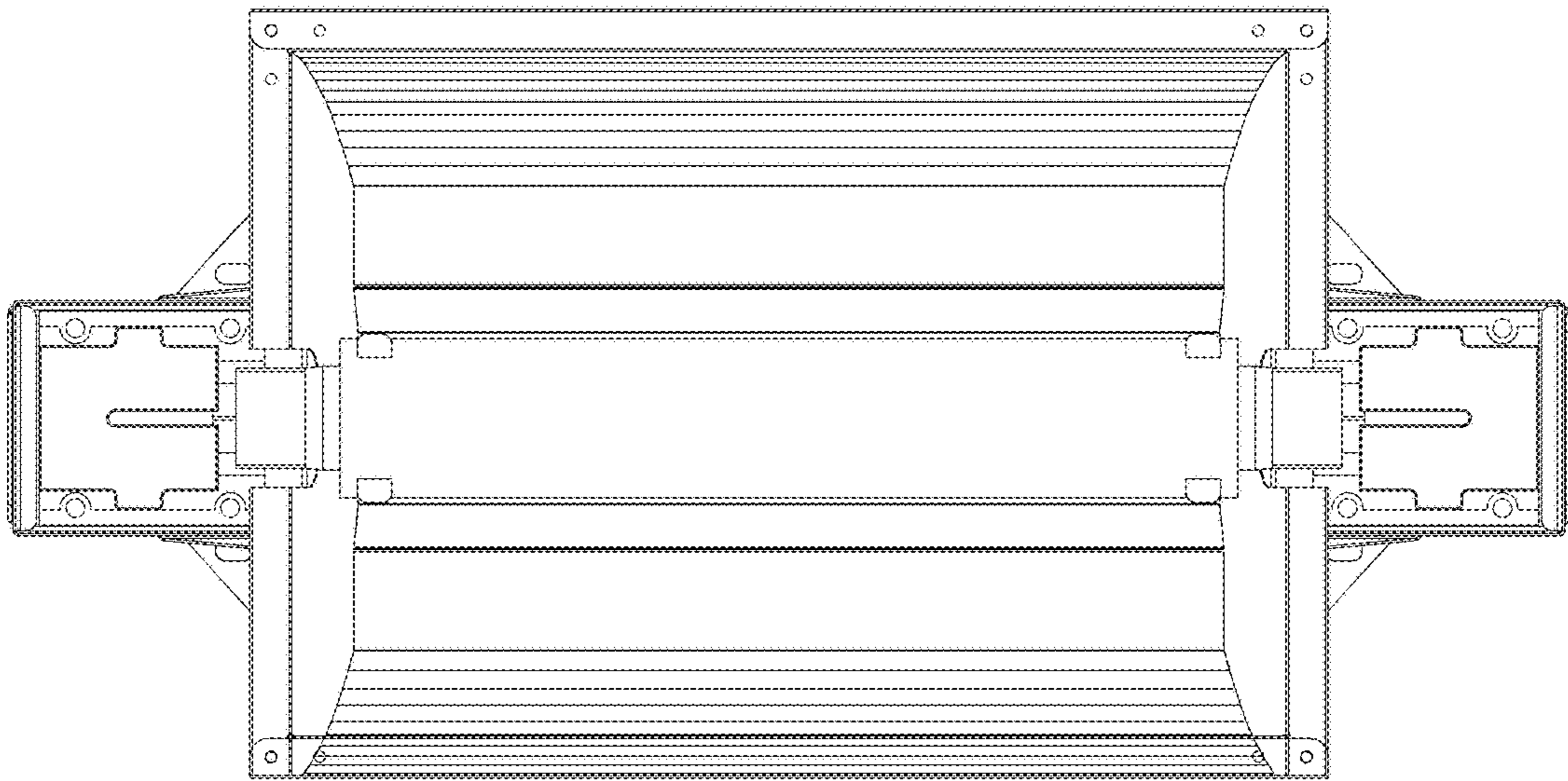


FIG.4

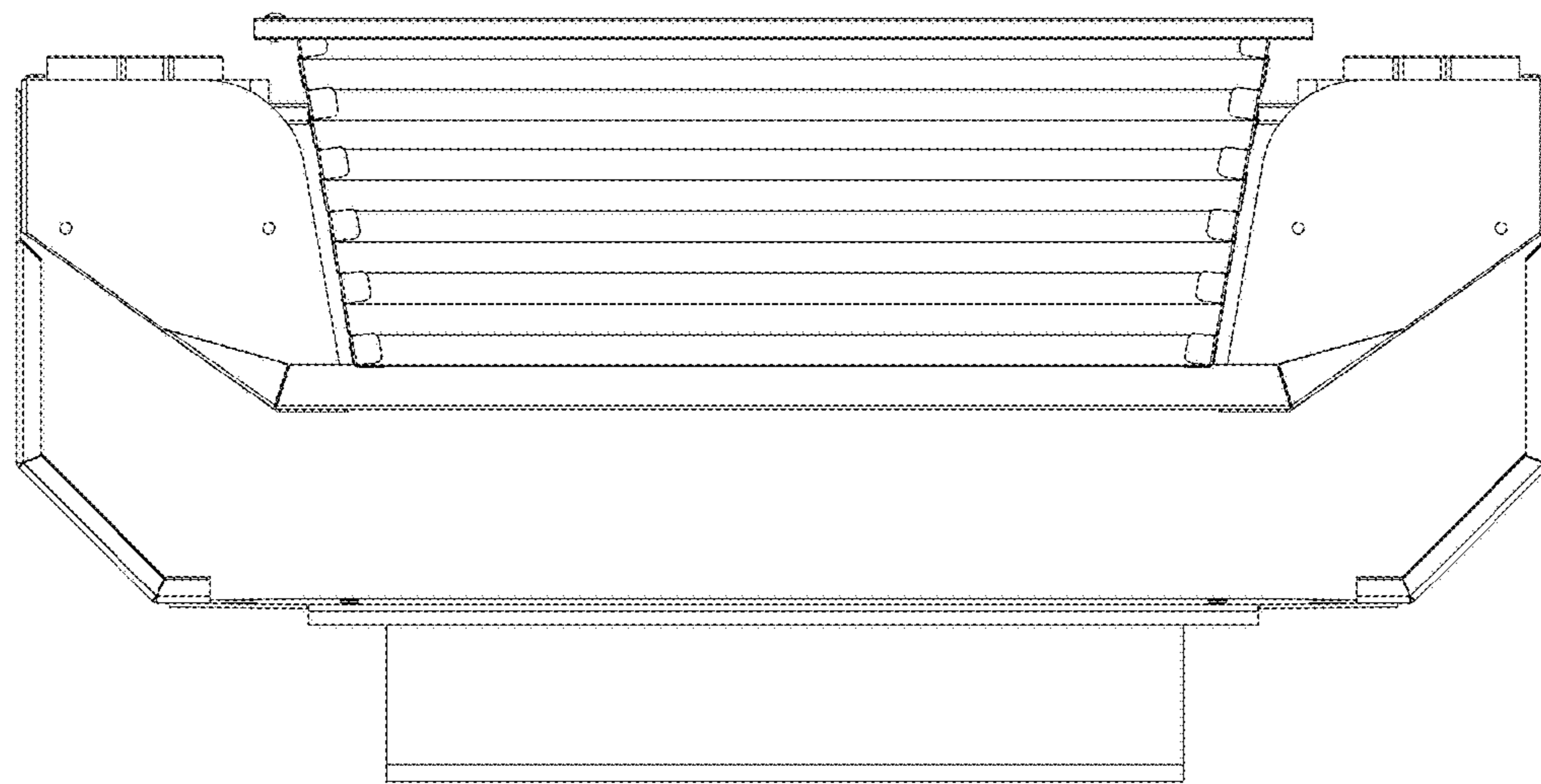


FIG.5

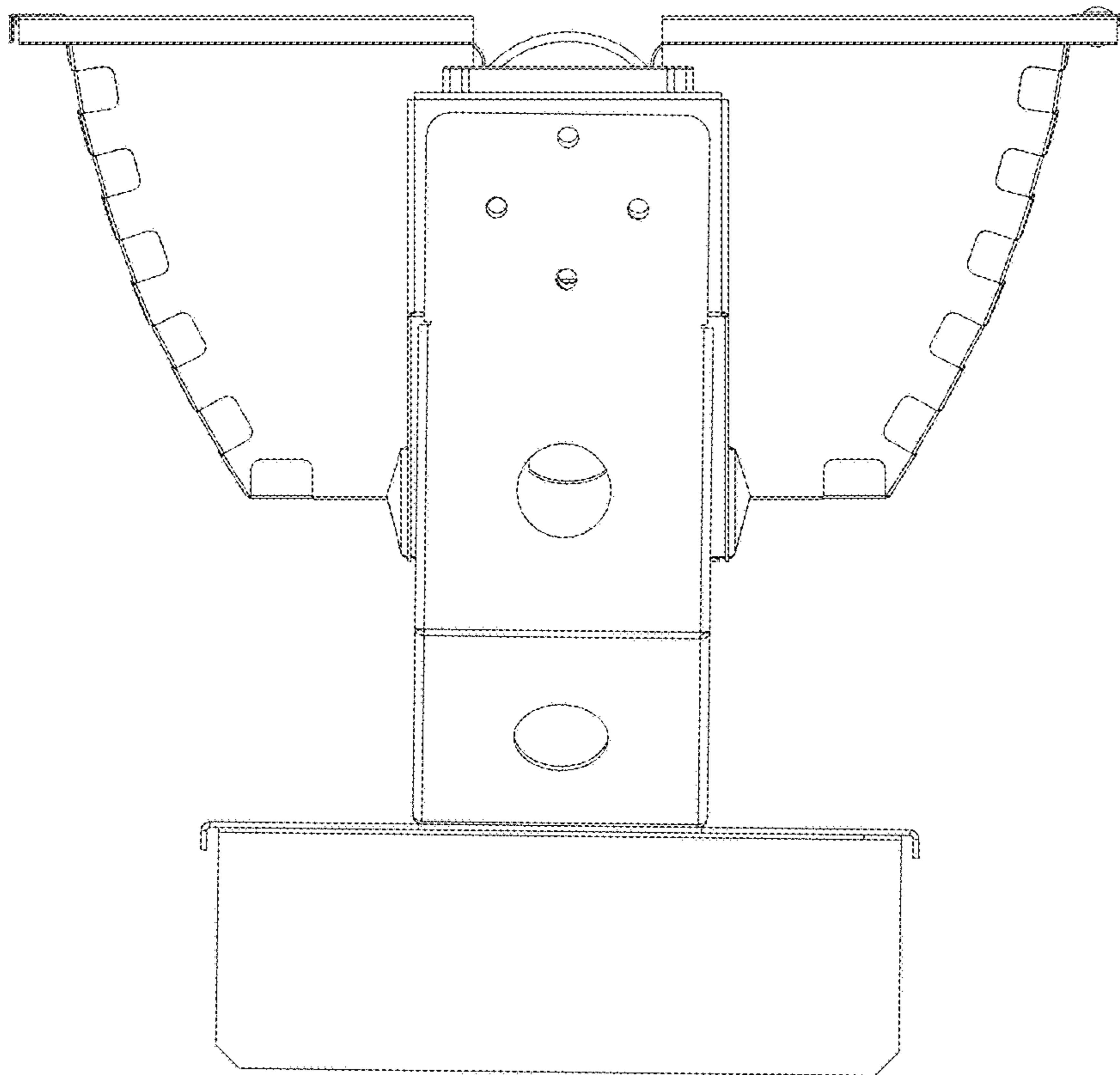


FIG.6

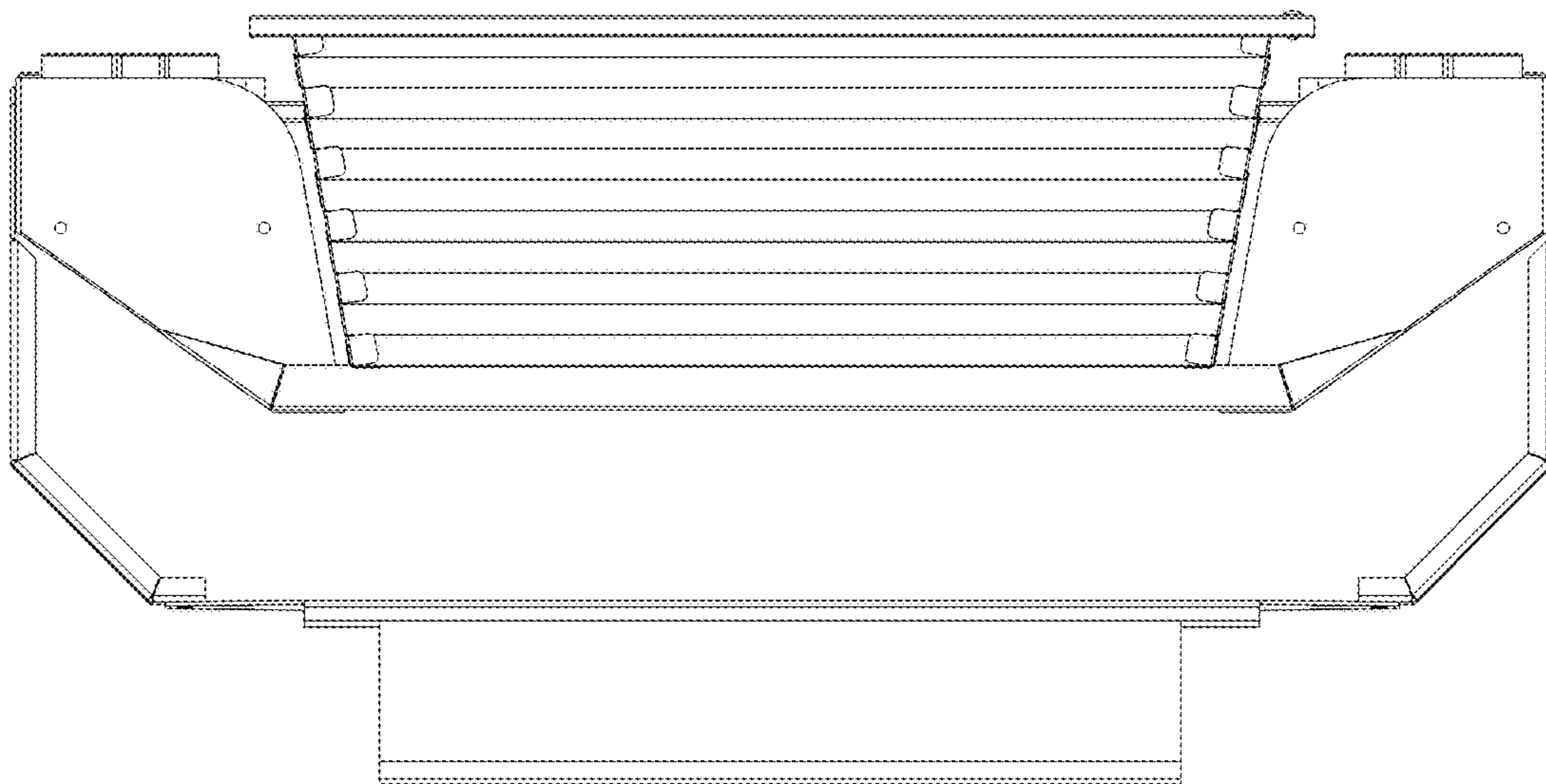


FIG.7