



US00D862762S

(12) **United States Design Patent**  
**Guercio et al.**

(10) **Patent No.:** **US D862,762 S**

(45) **Date of Patent:** **\*\* Oct. 8, 2019**

- (54) **FLARED LED LIGHT FIXTURE**
- (71) Applicant: **RAB Lighting Inc.**, Northvale, NJ (US)
- (72) Inventors: **Vincenzo Guercio**, Wallkill, NY (US);  
**Jiang Hu**, Ningbo (CN)
- (73) Assignee: **RAB Lighting Inc.**, Northvale, NJ (US)
- (\*\*) Term: **15 Years**
- (21) Appl. No.: **29/579,340**
- (22) Filed: **Sep. 29, 2016**
- (51) **LOC (12) Cl.** ..... **26-05**
- (52) **U.S. Cl.**  
USPC ..... **D26/71**
- (58) **Field of Classification Search**  
USPC ..... D26/63, 67-72, 87, 92, 118  
CPC .. F21S 8/085; F21S 8/086; F21S 8/068; F21S  
9/03; F21S 9/037; F21W 2131/103;  
F21W 2131/107; F21W 2131/109  
See application file for complete search history.

- D615,235 S 5/2010 Zheng
  - D615,689 S 5/2010 Guercio
  - D619,748 S \* 7/2010 Jong ..... D26/71
  - D619,749 S \* 7/2010 Jong ..... D26/71
  - D622,433 S 8/2010 Waters
- (Continued)

**FOREIGN PATENT DOCUMENTS**

JP D1336871 7/2008

**OTHER PUBLICATIONS**

Cree Street XSPR Sales Sheet; Product page; www.Cree.com/  
Lighting/Xspseries; 2013.

(Continued)

*Primary Examiner* — Clare E Heflin

(74) *Attorney, Agent, or Firm* — Frost Brown Todd LLC;  
Dennis S. Schell

(57) **CLAIM**

The ornamental design for a flared LED light fixture, sub-  
stantially as shown and described.

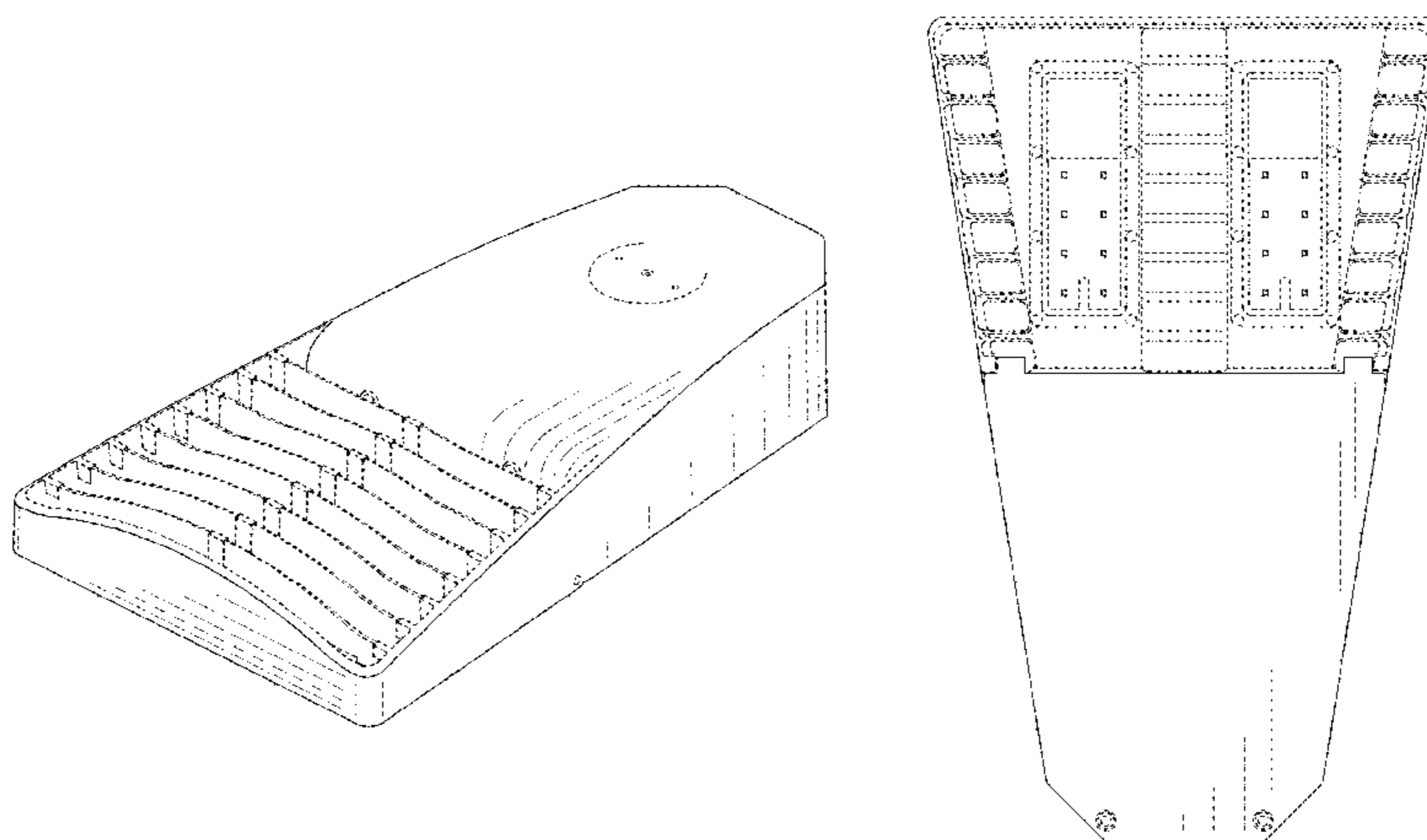
**DESCRIPTION**

FIG. 1 is a bottom-left perspective view of the new design;  
FIG. 2 is a top-left perspective view of the new design;  
FIG. 3 is top-right, rear perspective view of the new design.  
FIG. 4 is a bottom view of the new design;  
FIG. 5 is a top view of the new design;  
FIG. 6 is a front view of the new design;  
FIG. 7 is a rear view of the new design; and,  
FIG. 8 is a left side view of the new design.  
The broken lines shown in the drawings are for the purposes  
of illustrating portions of the article that form no part of the  
claimed design. The right side view is a mirror image of the  
left side view (FIG. 8) and is therefore omitted.

**1 Claim, 7 Drawing Sheets**

(56) **References Cited**  
U.S. PATENT DOCUMENTS

- D195,583 S \* 7/1963 Phillips ..... D26/71
- D201,764 S \* 7/1965 Mox ..... D26/71
- D201,765 S \* 7/1965 Mox ..... D26/71
- D203,065 S \* 11/1965 Izzi et al. .... D26/71
- D203,692 S \* 2/1966 Roovaart ..... D26/71
- D209,081 S \* 10/1967 Netland ..... D26/71
- D224,753 S \* 9/1972 Breed et al. .... D26/71
- D226,326 S \* 2/1973 Anderson, Jr. .... D26/71
- D321,764 S \* 11/1991 Von Klier ..... D26/63
- D580,582 S 11/2008 Fan
- 7,521,852 B2 \* 4/2009 Choi ..... F21S 8/085  
313/318.01
- D612,527 S \* 3/2010 Espiau ..... D26/71
- D614,791 S \* 4/2010 Nibaldi ..... D26/71
- D615,233 S 5/2010 Josefowicz et al.
- D615,234 S 5/2010 Oblak



(56)

**References Cited**

U.S. PATENT DOCUMENTS

D622,888 S \* 8/2010 Chakravarty ..... D26/65  
D629,152 S \* 12/2010 Laporte ..... D26/71  
D656,267 S \* 3/2012 Laporte ..... D26/71  
D663,462 S 7/2012 Butler et al.  
D664,697 S \* 7/2012 Piano ..... D26/71  
D668,370 S 10/2012 Guercio et al.  
D673,318 S 12/2012 Lane et al.  
D693,513 S \* 11/2013 Nibaldi ..... D26/71  
D709,634 S 7/2014 Coulbeaut  
D709,635 S 7/2014 Coulbeaut  
D747,527 S \* 1/2016 Guercio ..... D26/71  
2012/0026737 A1 2/2012 Dinc et al.  
2014/0355259 A1 12/2014 Ku et al.  
2015/0023020 A1 \* 1/2015 Gattari ..... F21S 8/086  
362/282  
2017/0299131 A1 \* 10/2017 Wassel ..... F21S 8/086

OTHER PUBLICATIONS

RAB Lighting Inc.; Wallpacks 18W Wallpack; Product Catalog;  
2015; pp. 26-27.  
RAB Lighting Inc.; Wallpacks Lpack; Product Catalog; 2010; pp.  
26-27.

\* cited by examiner

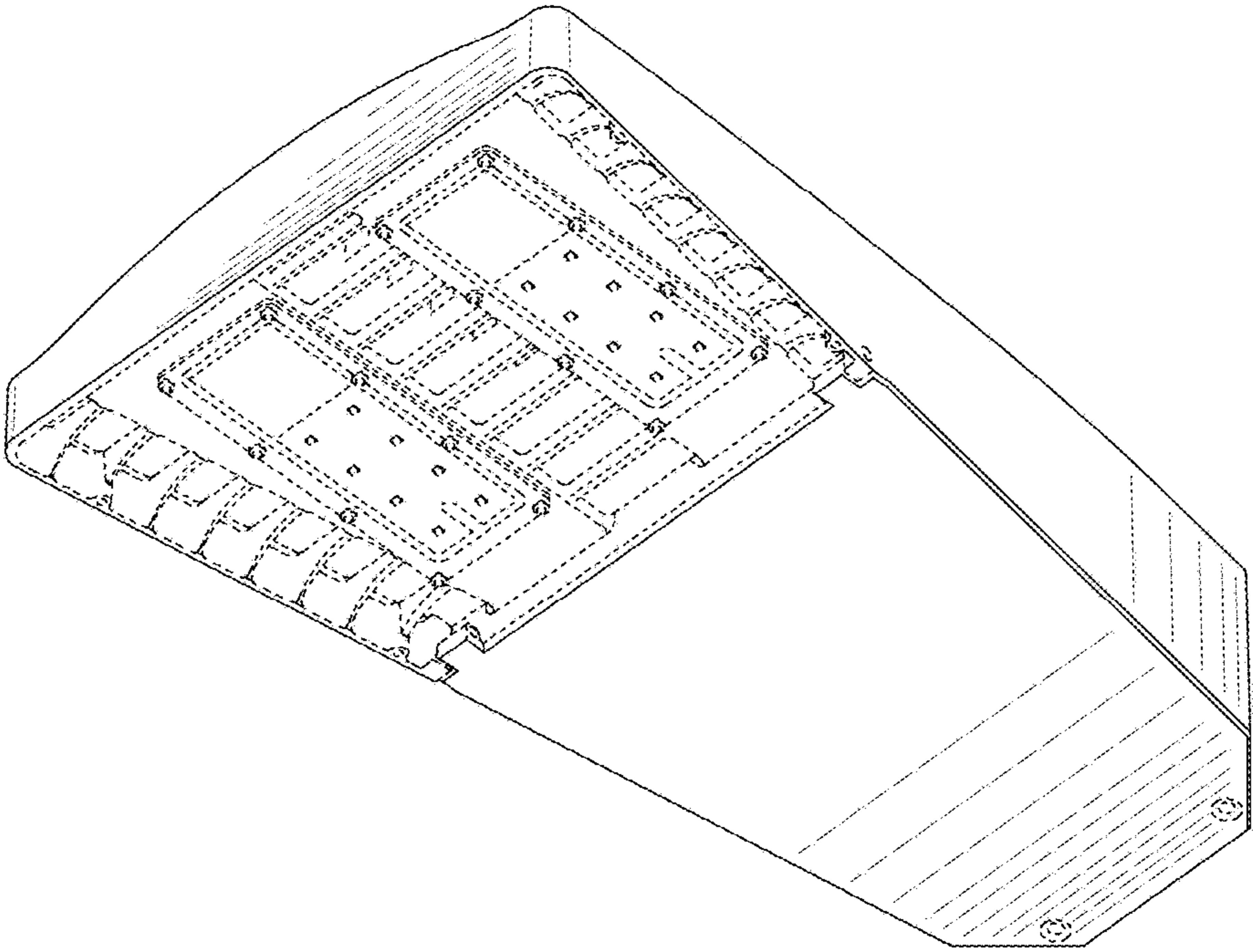


FIG. 1

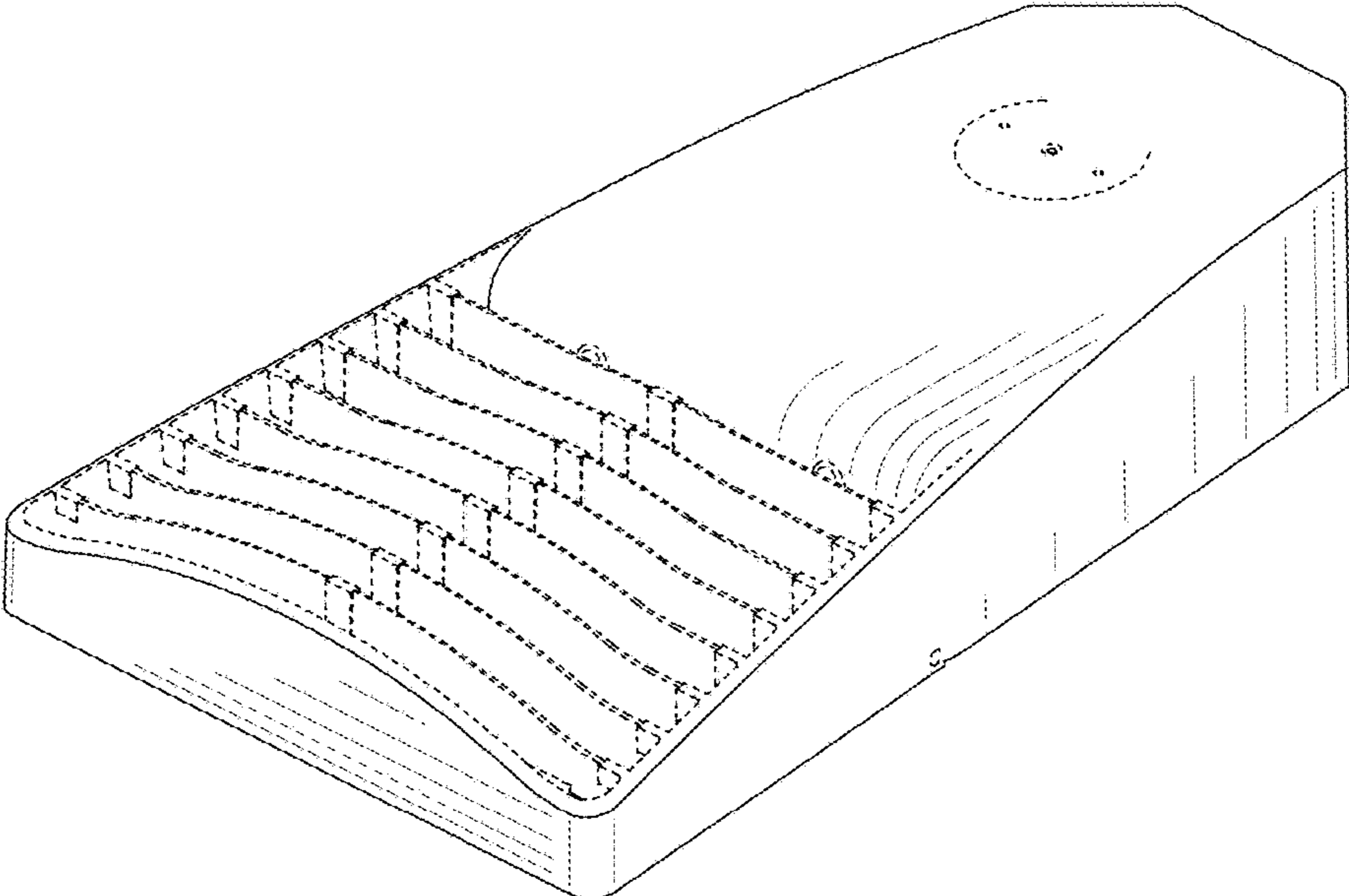


FIG. 2

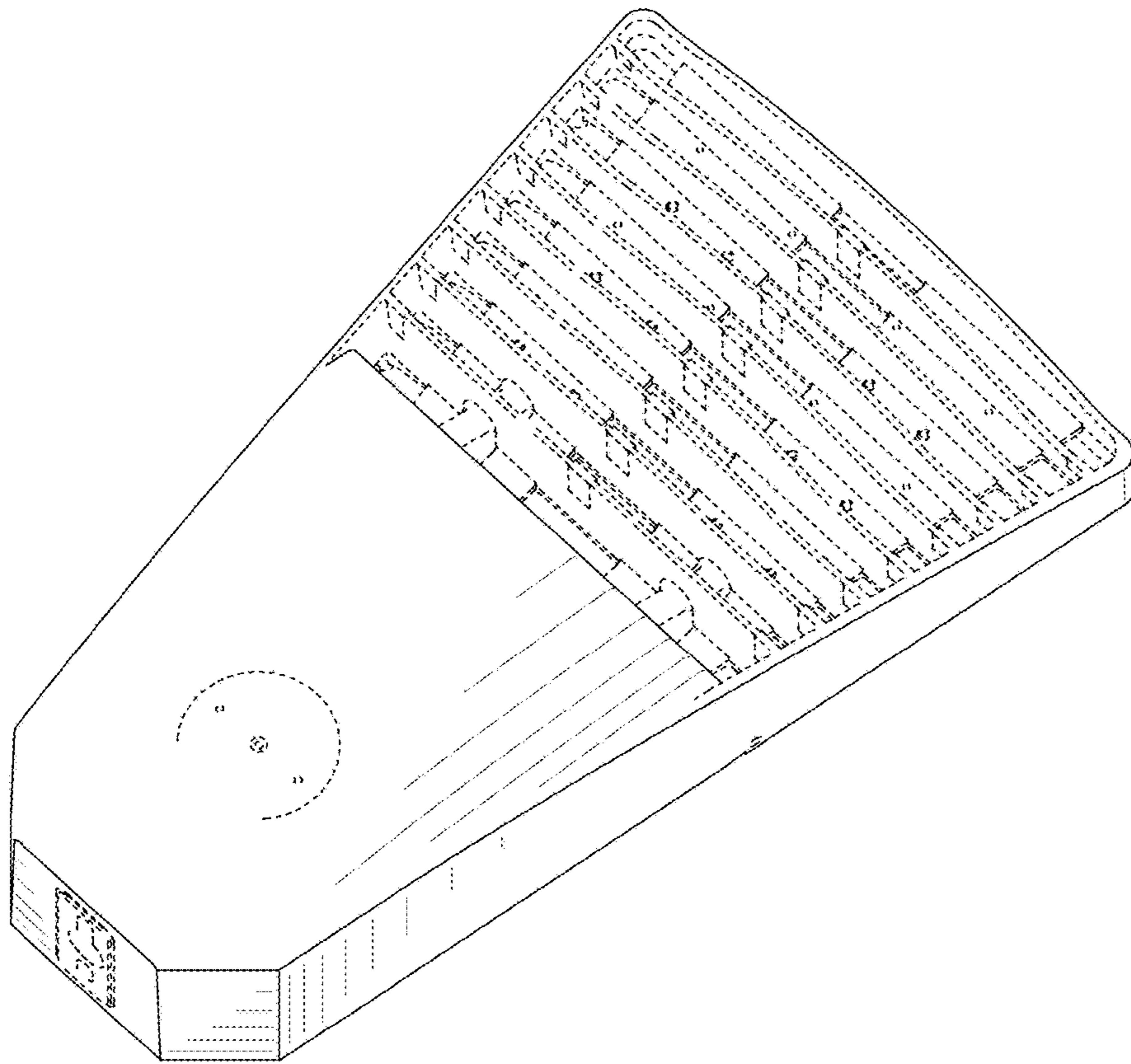


FIG. 3

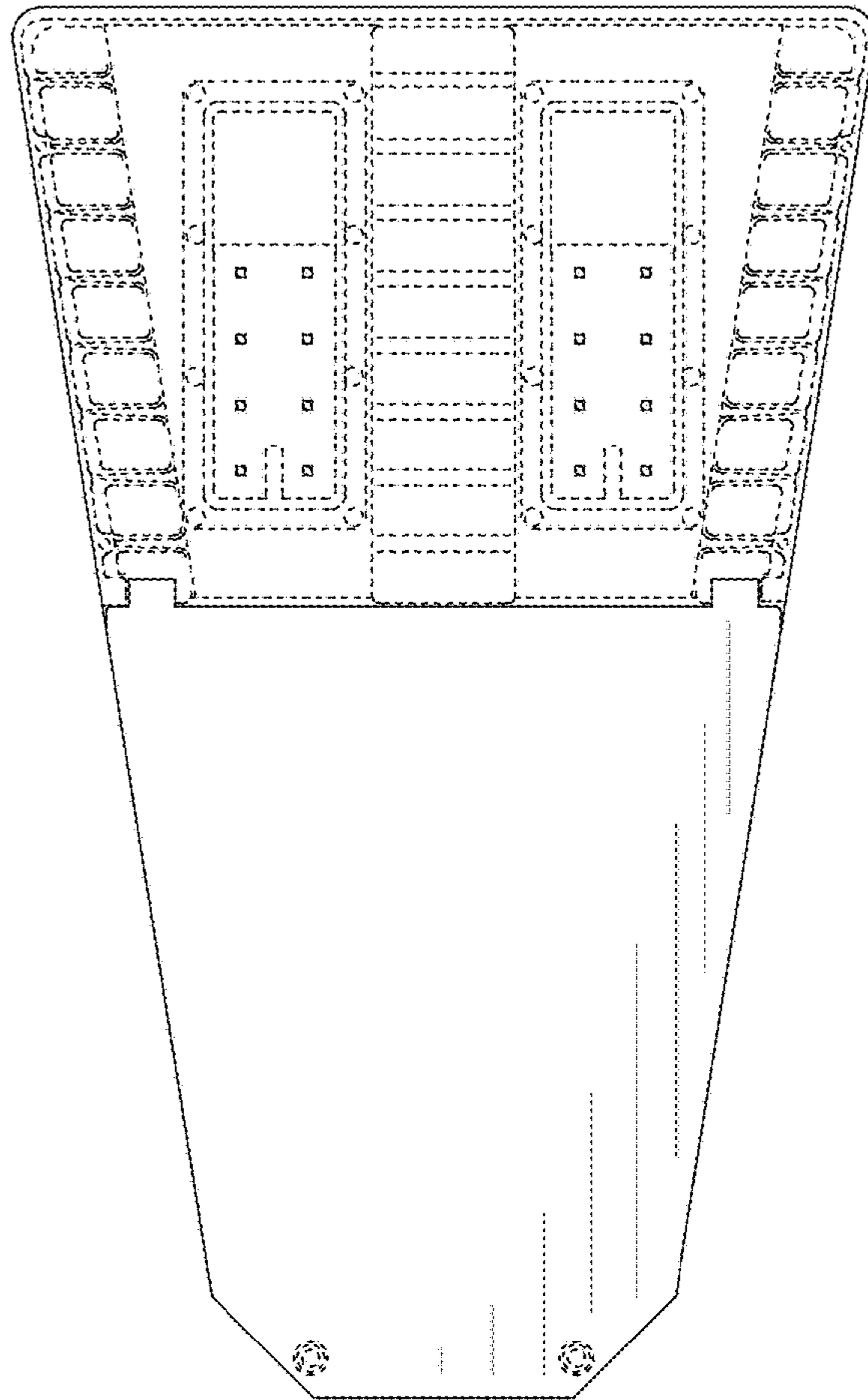


FIG. 4

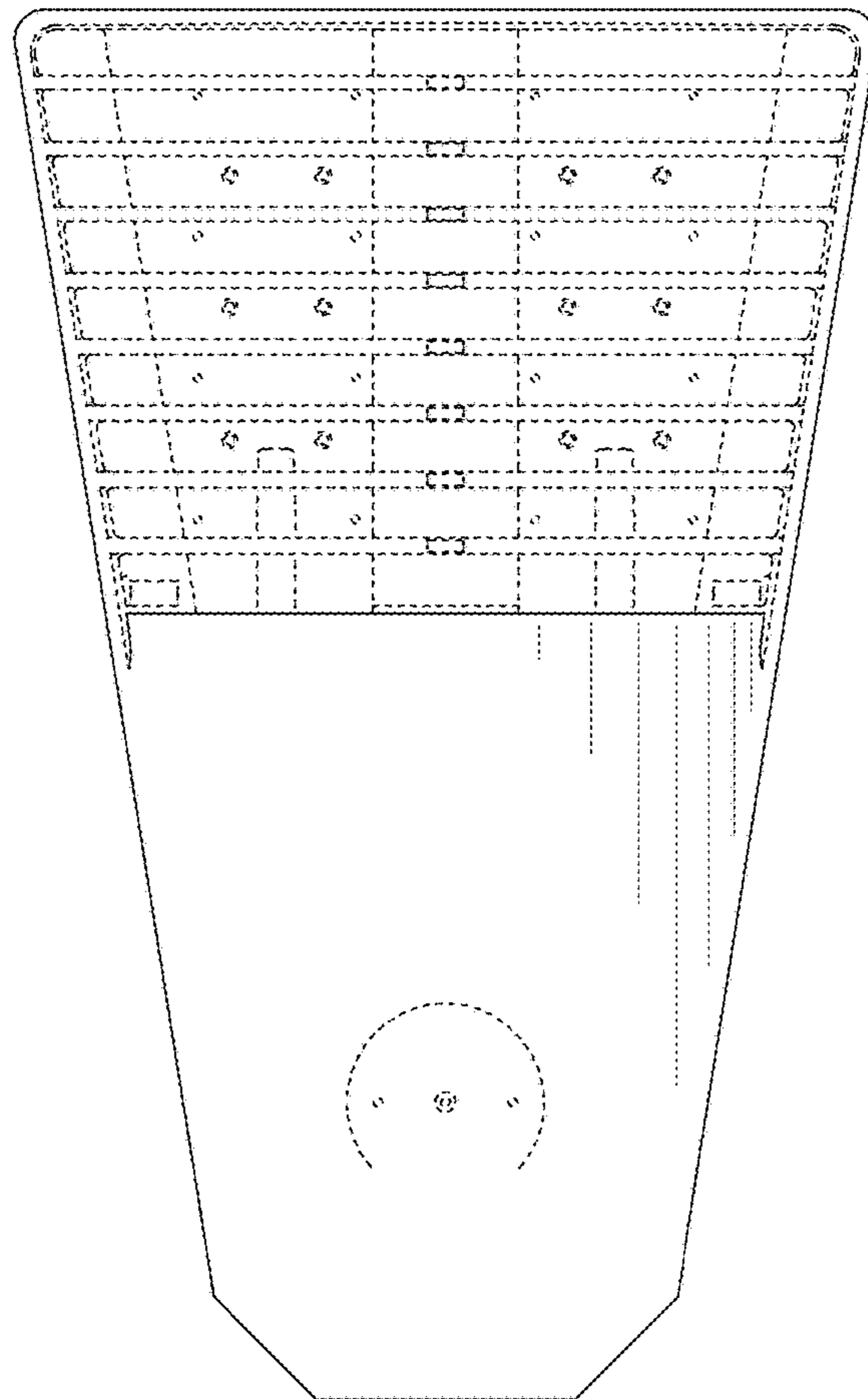


FIG. 5

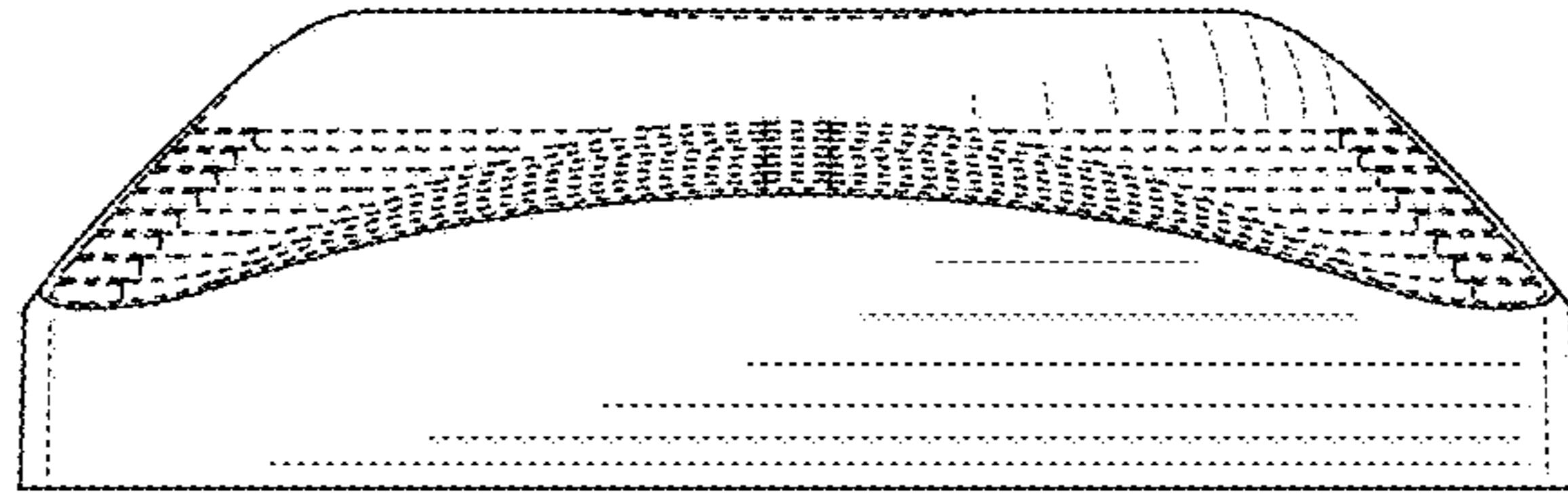


FIG. 6

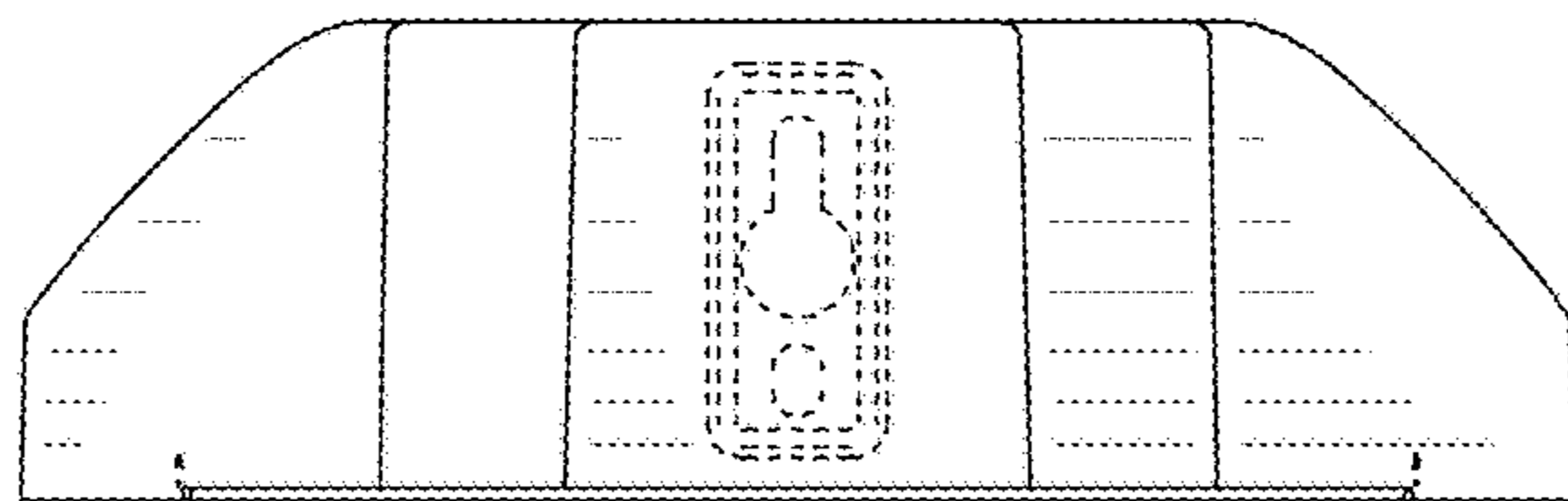


FIG. 7



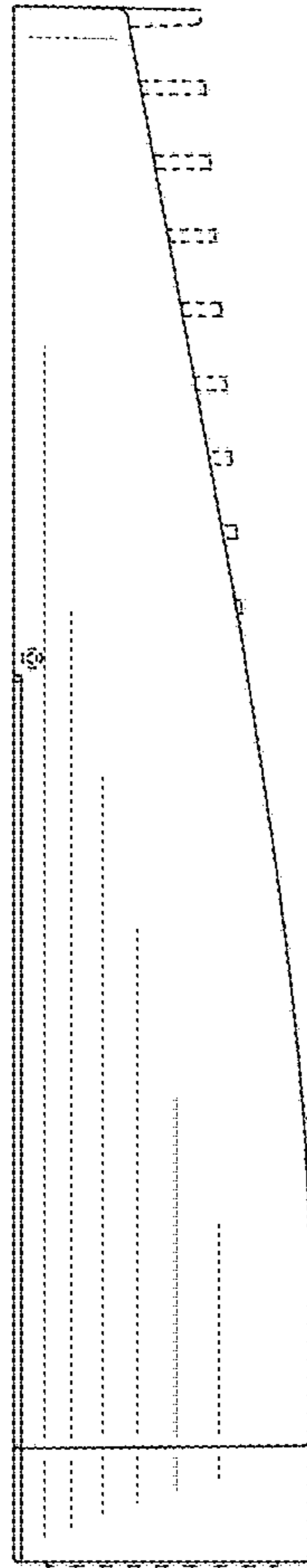


FIG. 8