

US00D862761S

(12) **United States Design Patent**
Li

(10) **Patent No.:** **US D862,761 S**

(45) **Date of Patent:** **** Oct. 8, 2019**

(54) **SOLAR LAMP**

(71) Applicant: **Yulin Li**, Guangdong (CN)

(72) Inventor: **Yulin Li**, Guangdong (CN)

(**) Term: **15 Years**

(21) Appl. No.: **29/630,667**

(22) Filed: **Dec. 21, 2017**

(51) **LOC (12) Cl.** **26-03**

(52) **U.S. Cl.**
USPC **D26/68**

(58) **Field of Classification Search**
USPC D26/8, 67-70
CPC F21S 8/006; F21S 8/08; F21S 8/081; F21S
8/083; F21S 8/032; F21S 9/03; F21S
9/032; F21S 9/035; F21S 9/037; F21W
2131/109

See application file for complete search history.

(56) **References Cited**

U.S. PATENT DOCUMENTS

D441,116 S * 4/2001 Sanoner D26/68
D477,682 S * 7/2003 Wang D26/67

D517,716 S * 3/2006 Bucher D26/67
D816,254 S * 4/2018 Zhang D26/68
D824,562 S * 7/2018 Chen D26/68
D843,041 S * 3/2019 Xiao D26/68

* cited by examiner

Primary Examiner — Cathron C Brooks

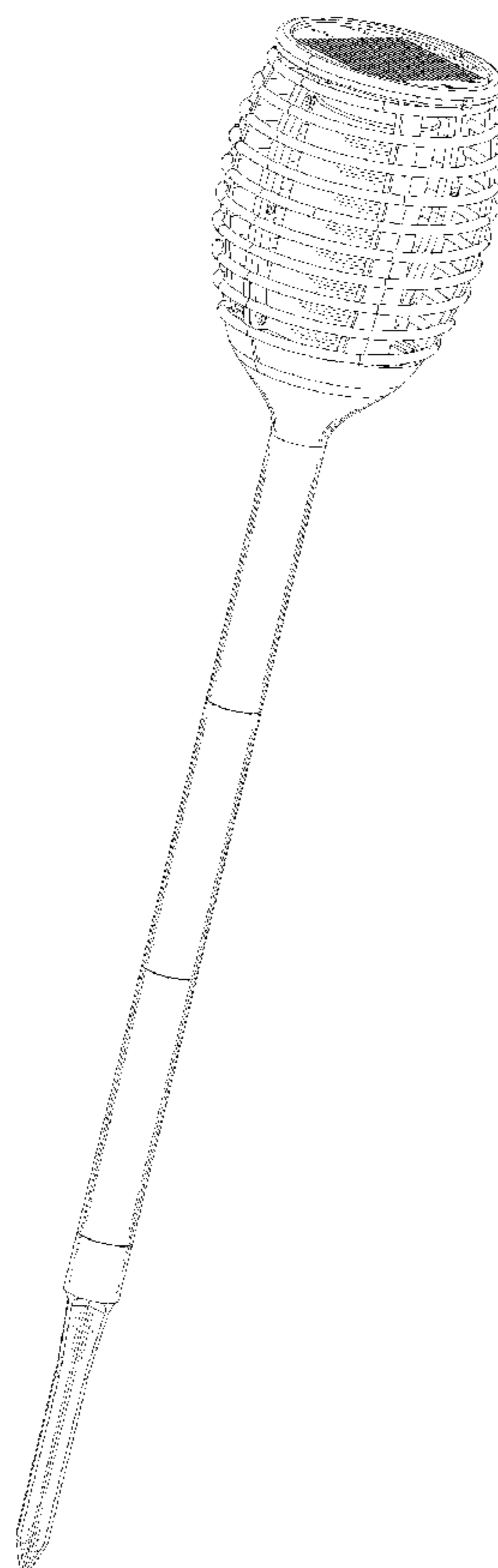
(57) **CLAIM**

I claim the ornamental design for a solar lamp, as shown and described.

DESCRIPTION

FIG. 1 is a perspective view of a solar lamp showing my new design;
FIG. 2 is a front elevational view thereof;
FIG. 3 is a rear elevational view thereof;
FIG. 4 is a left side elevational view thereof;
FIG. 5 is a right side elevational view thereof;
FIG. 6 is an enlarged top plan view thereof; and,
FIG. 7 is an enlarged bottom plan view thereof.

1 Claim, 7 Drawing Sheets



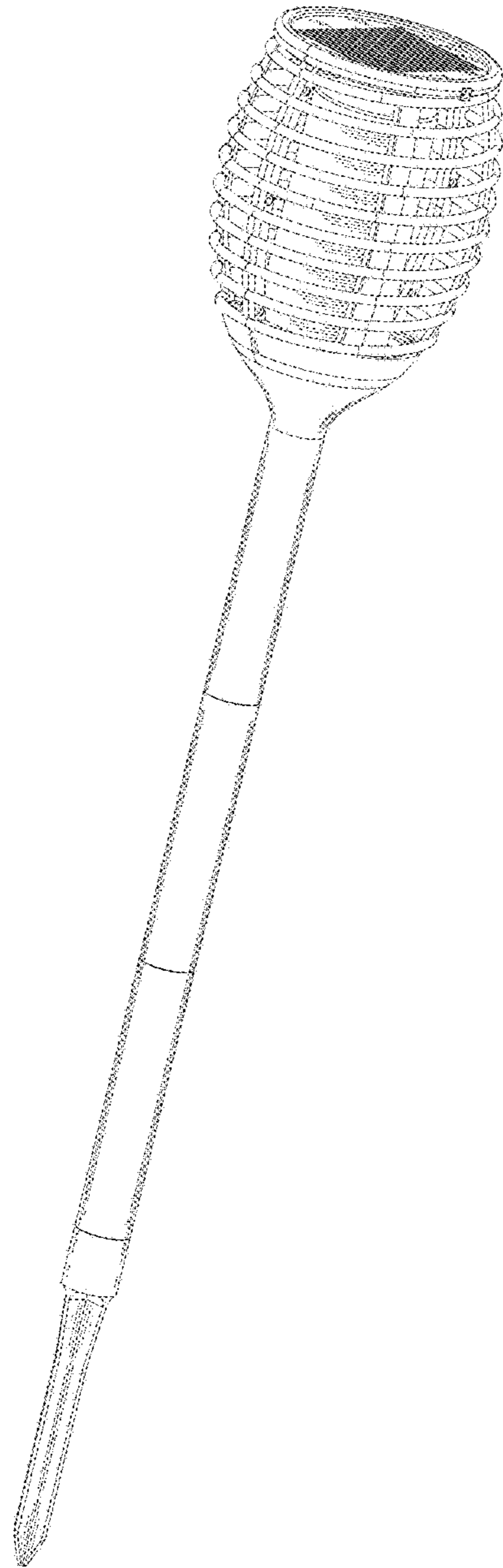


FIG.1

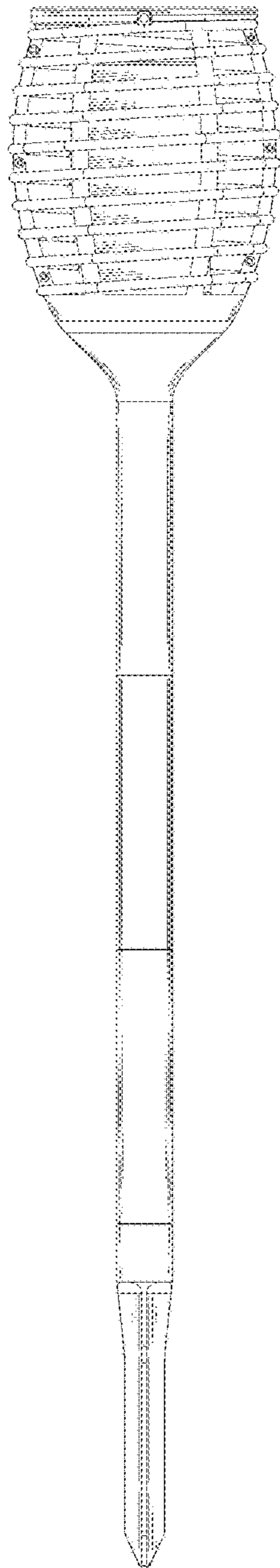


FIG.2

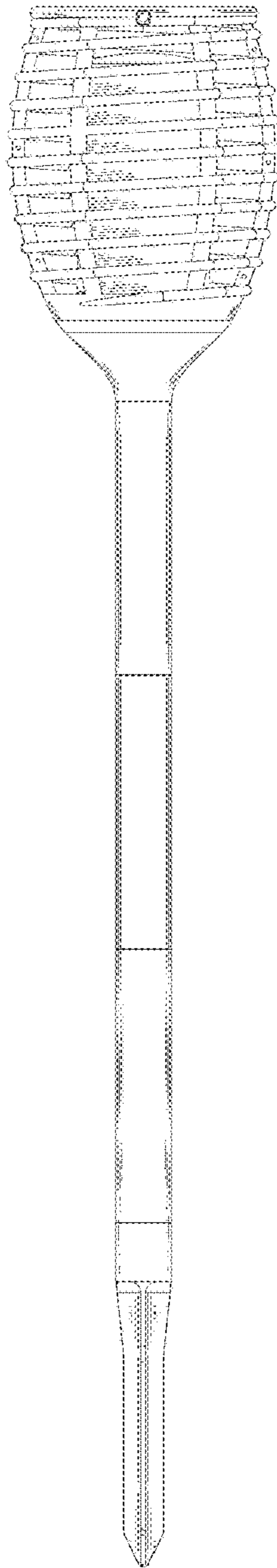


FIG.3

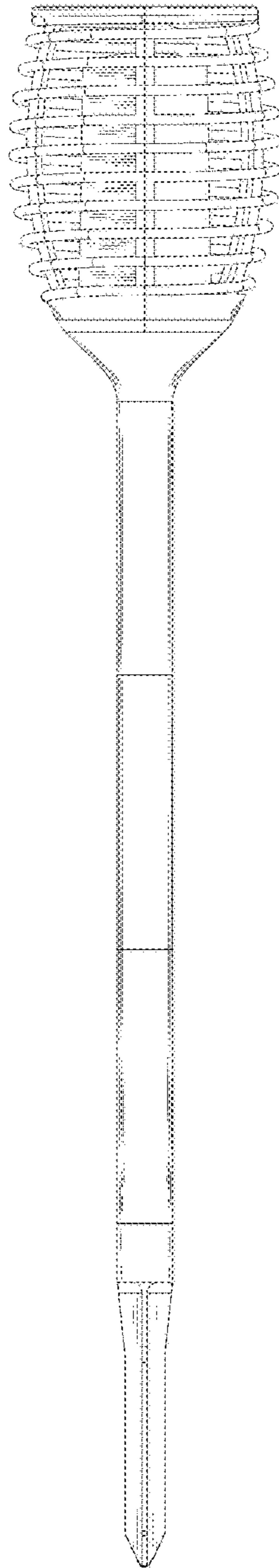


FIG.4

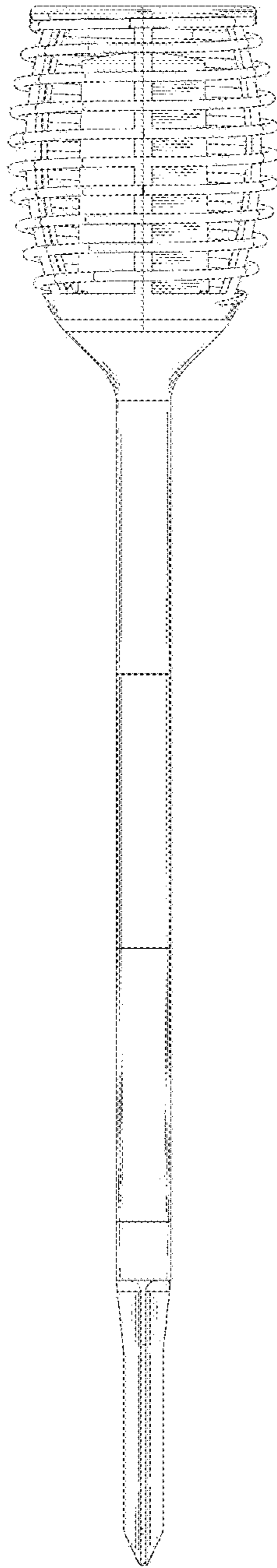


FIG.5

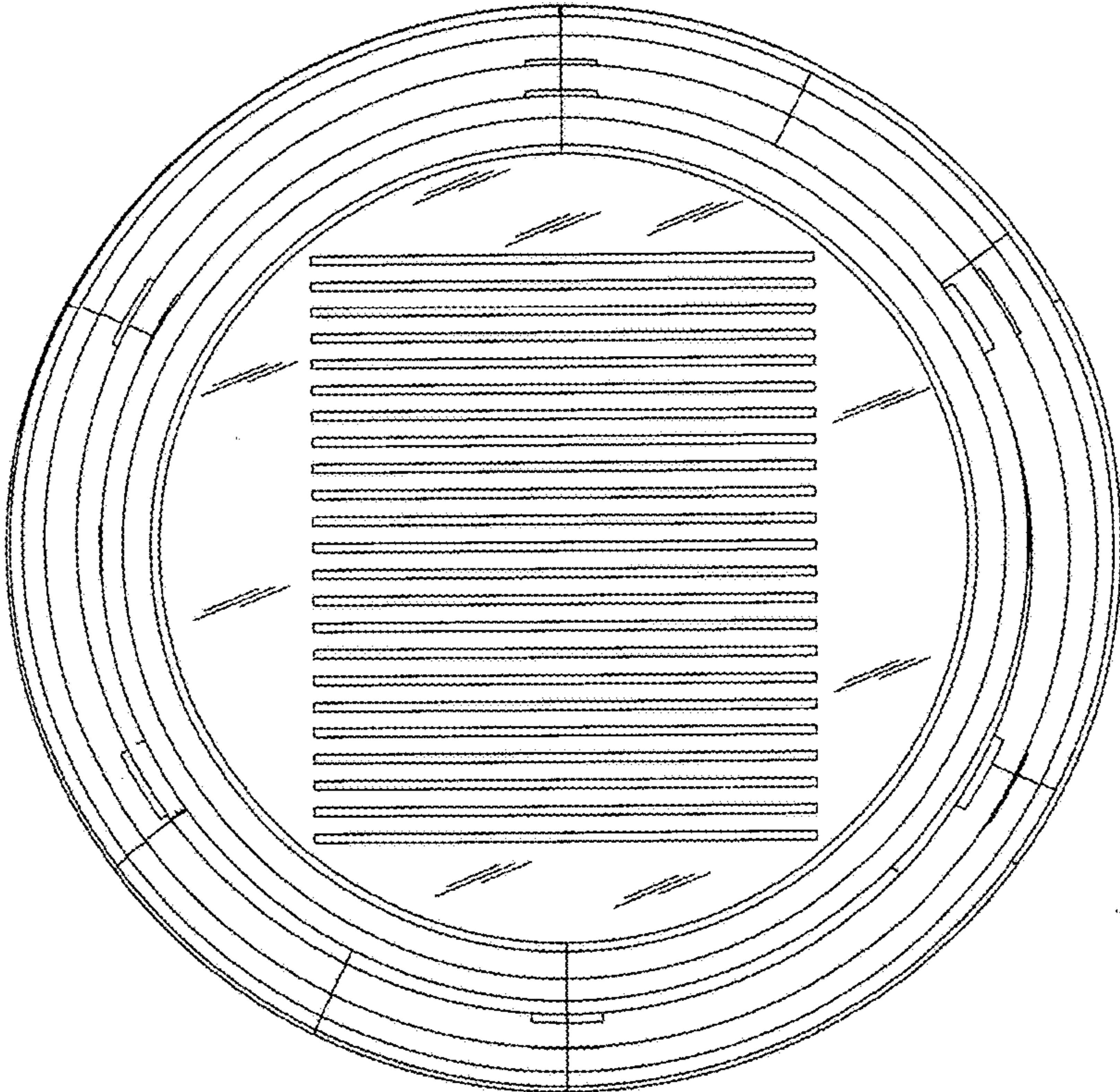


FIG. 6

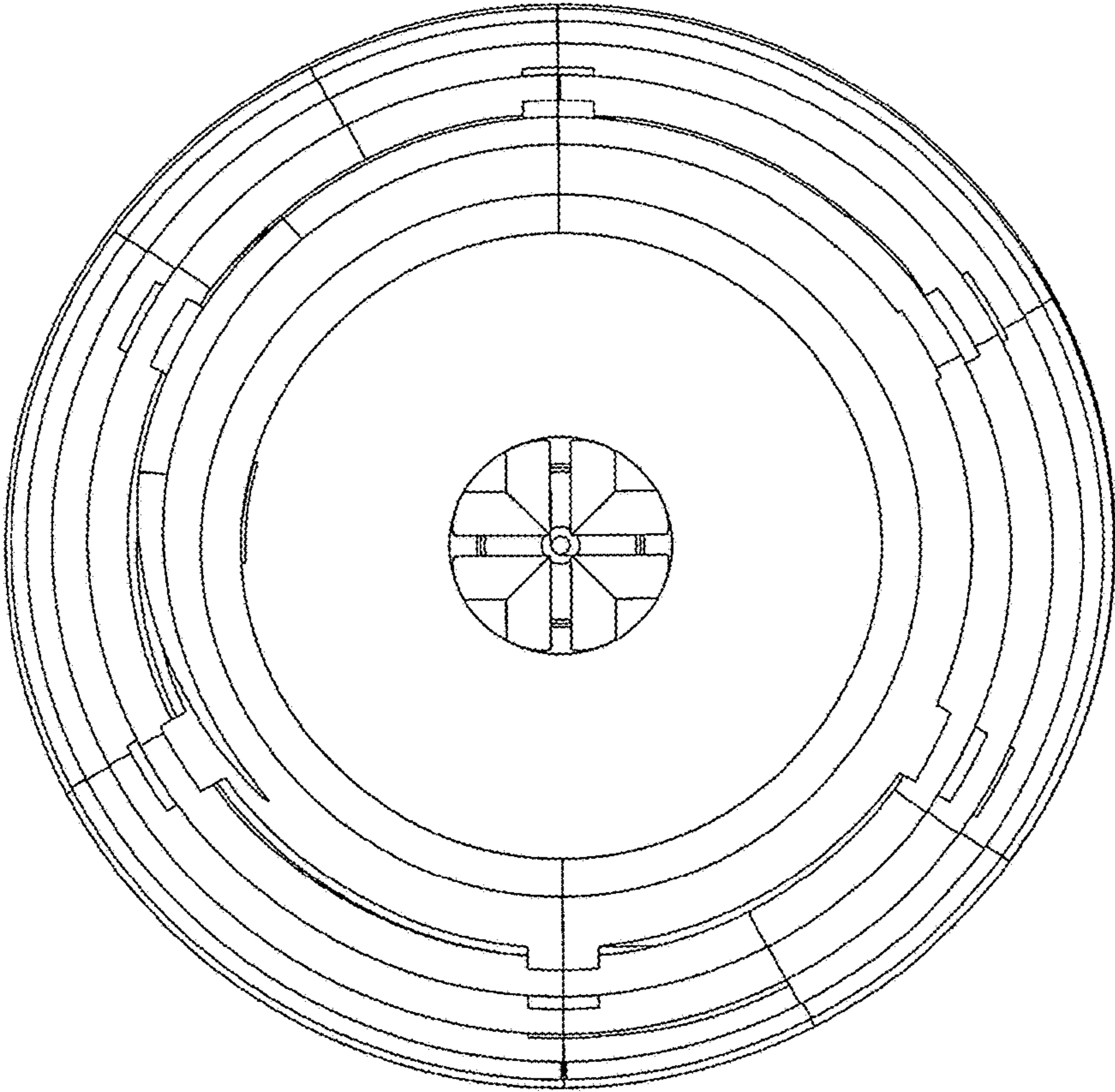


FIG. 7