

US00D862760S

(12) **United States Design Patent**  
**Weitgasser**

(10) **Patent No.: US D862,760 S**

(45) **Date of Patent: \*\* Oct. 8, 2019**

(54) **LUMINAIRE**

(71) Applicant: **DERUNGS LICHT AG**, Gossau (CH)

(72) Inventor: **Erwin Weitgasser**, Salzburg (AT)

(73) Assignee: **DERUNGS LICHT AG**, Gossau (CH)

(\*\*) Term: **15 Years**

(21) Appl. No.: **35/504,513**

(22) Filed: **Aug. 31, 2017**

(80) **Hague Agreement Data**

Int. Filing Date: **Aug. 31, 2017**

Int. Reg. No.: **DM/098176**

Int. Reg. Date: **Aug. 31, 2017**

Int. Reg. Pub. Date: **Mar. 2, 2018**

(51) **LOC (12) Cl.** ..... **26-05**

(52) **U.S. Cl.**  
USPC ..... **D26/65**

(58) **Field of Classification Search**

USPC ..... D26/24, 61, 63, 65, 72, 85, 87, 113, 118

CPC ..... F21S 8/036; F21V 15/00; F21V 21/00;

F21V 21/084; F21V 21/116; F21V 21/14

See application file for complete search history.

(56) **References Cited**

**U.S. PATENT DOCUMENTS**

D75,012 S *	5/1928	Johnson	.....	D26/72
D129,921 S *	10/1941	Irmischer	.....	362/225
D129,922 S *	10/1941	Irmischer	.....	362/225
D196,269 S *	9/1963	Mehr	.....	D16/135
D204,302 S *	4/1966	Pauli	.....	D26/24
3,634,675 A *	1/1972	Madsen	.....	B64F 1/20
				D26/113
D262,407 S *	12/1981	Ball	.....	D26/24
D268,529 S *	4/1983	Lebowitz	.....	D26/65
D324,060 S *	2/1992	Huang	.....	D16/135
D482,813 S *	11/2003	Waldmann	.....	D26/61

(Continued)

**OTHER PUBLICATIONS**

Derungslicht.com: Treatment Luminaire Triango 100 website. Undated; 2 pages. Found online Nov. 21, 2018 at <http://www.derungslicht.com/home/products/treatment-luminaires/triango-100-2640.en.html>.\*

(Continued)

*Primary Examiner* — Robert M. Spear

(74) *Attorney, Agent, or Firm* — Michae J. Bujold; Davis & Bujold PLLC

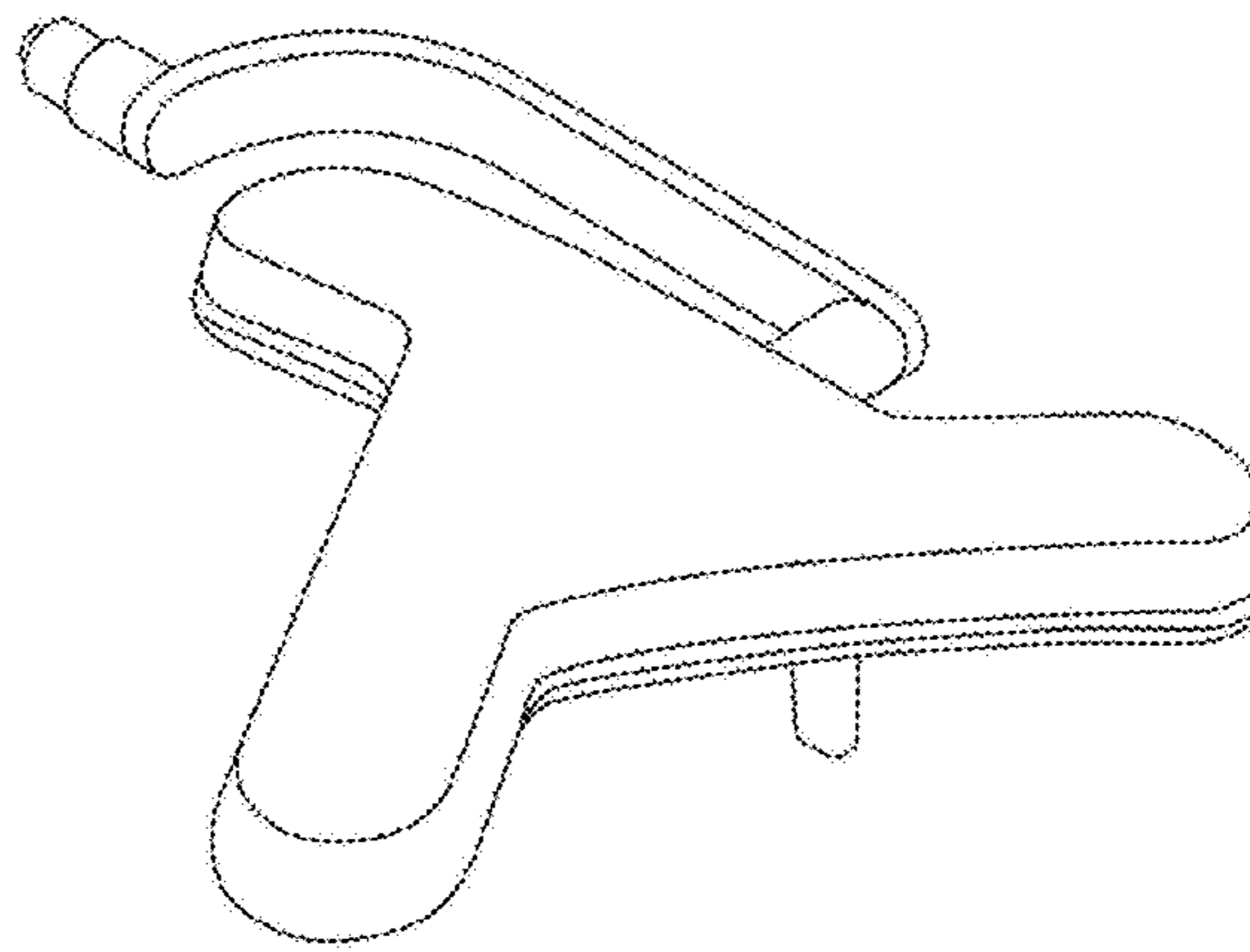
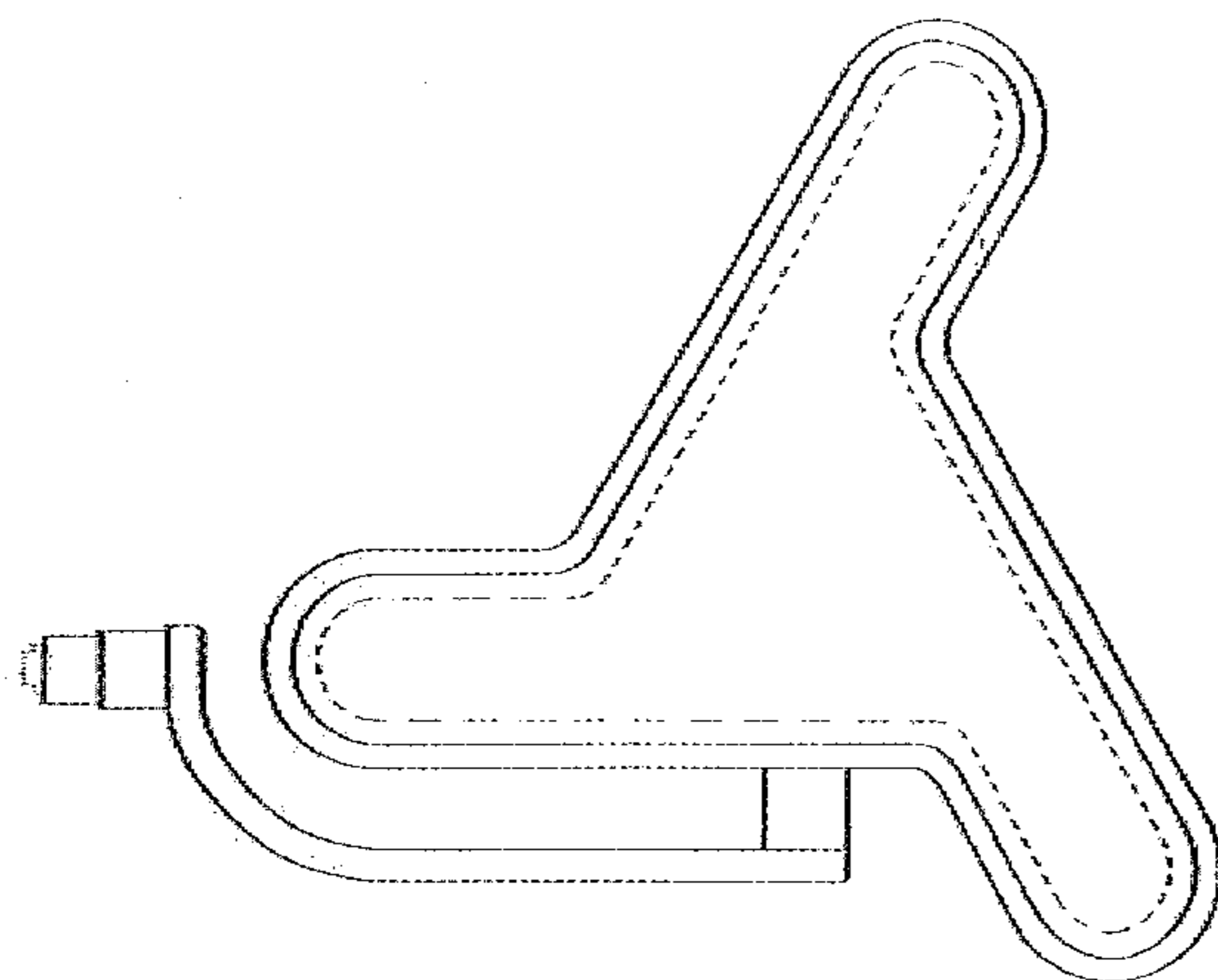
(57) **CLAIM**

The ornamental design for a luminaire, as shown and described.

**DESCRIPTION**

- 1.-3. Luminaires
- 1.1 Front, top, left perspective view;
- 1.2 Left side elevational view;
- 1.3 Right side elevational view;
- 1.4 Front elevational view;
- 1.5 Rear elevational view;
- 1.6 Top view;
- 1.7 Bottom view;
- 2.1 Front, top, left perspective view;
- 2.2 Left side elevational view;
- 2.3 Right side elevational view;
- 2.4 Front elevational view;
- 2.5 Rear elevational view;
- 2.6 Top view;
- 2.7 Bottom view;
- 3.1 Front, top, left perspective view;
- 3.2 Left side elevational view;
- 3.3 Right side elevational view;
- 3.4 Front elevational view;
- 3.5 Rear elevational view;
- 3.6 Top view; and,
- 3.7 Bottom view.

(Continued)



The broken lines in FIG. 1.7 represent boundaries of the claim; all other broken lines in the drawings depict environmental elements and form no part of the claim.

**1 Claim, 21 Drawing Sheets**

(56)

**References Cited**

U.S. PATENT DOCUMENTS

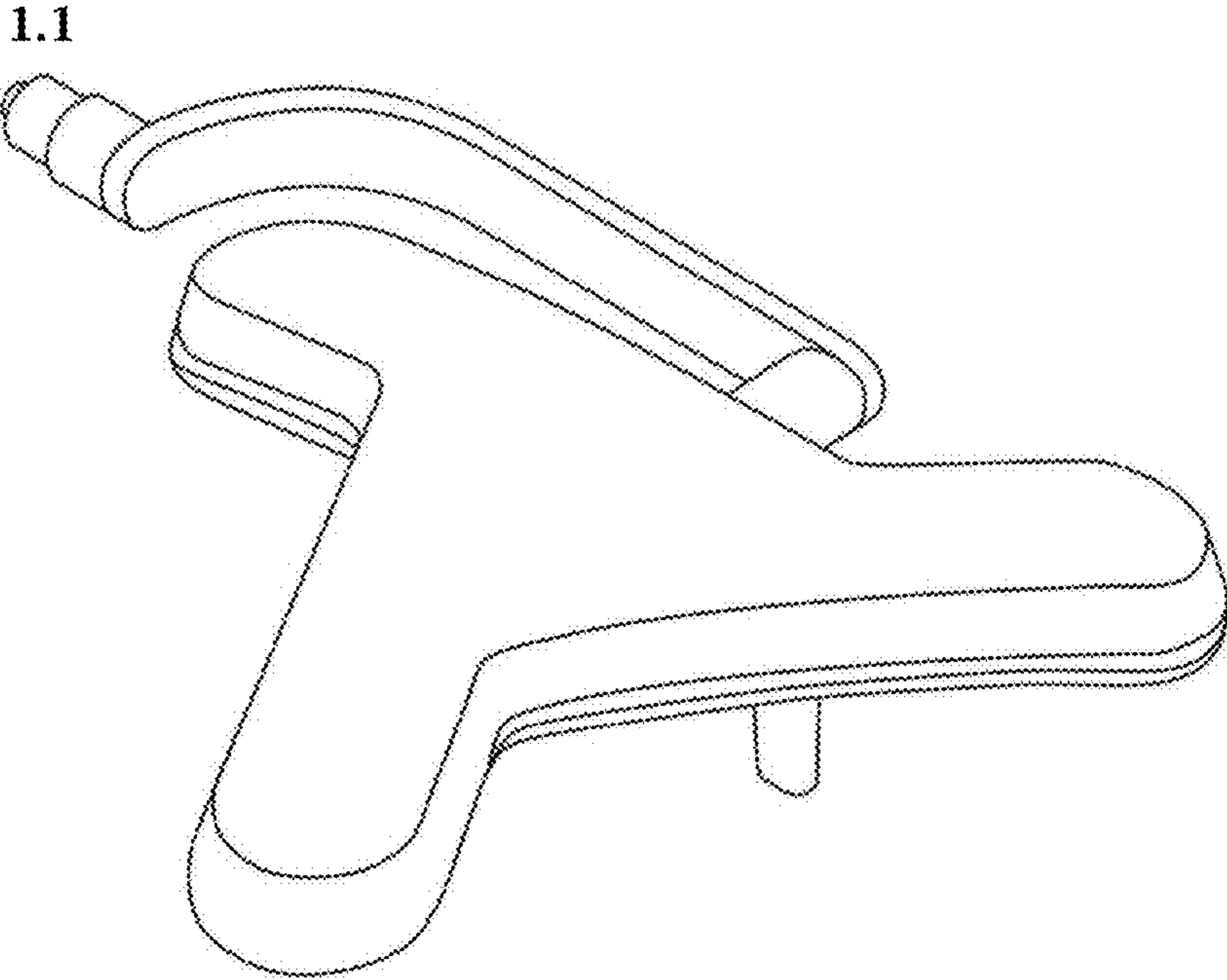
D490,553 S \* 5/2004 Waldmann ..... D26/61  
 D495,081 S \* 8/2004 Derrien ..... 362/225  
 D505,219 S \* 5/2005 Jacquelin ..... D26/51  
 D520,543 S \* 5/2006 Welch ..... D16/131  
 D526,340 S \* 8/2006 Hodgson ..... D16/135  
 D538,830 S \* 3/2007 Yip ..... D16/135  
 7,448,769 B1 \* 11/2008 Coughaine ..... F21L 4/005  
 362/200  
 D590,987 S \* 4/2009 Dunn ..... F21V 21/06  
 362/268  
 D597,238 S \* 7/2009 Lu ..... D16/135  
 D597,239 S \* 7/2009 Hodgson ..... D26/65  
 D598,596 S \* 8/2009 Sabernig ..... D26/65  
 D602,967 S \* 10/2009 Hui ..... D16/135  
 D611,634 S \* 3/2010 Newhouse ..... D26/61  
 D619,287 S \* 7/2010 Liu ..... D26/62  
 D628,739 S \* 12/2010 Lu ..... D26/113  
 D636,513 S \* 4/2011 Furtsch ..... D16/135  
 D636,913 S \* 4/2011 Halaquist ..... D26/24

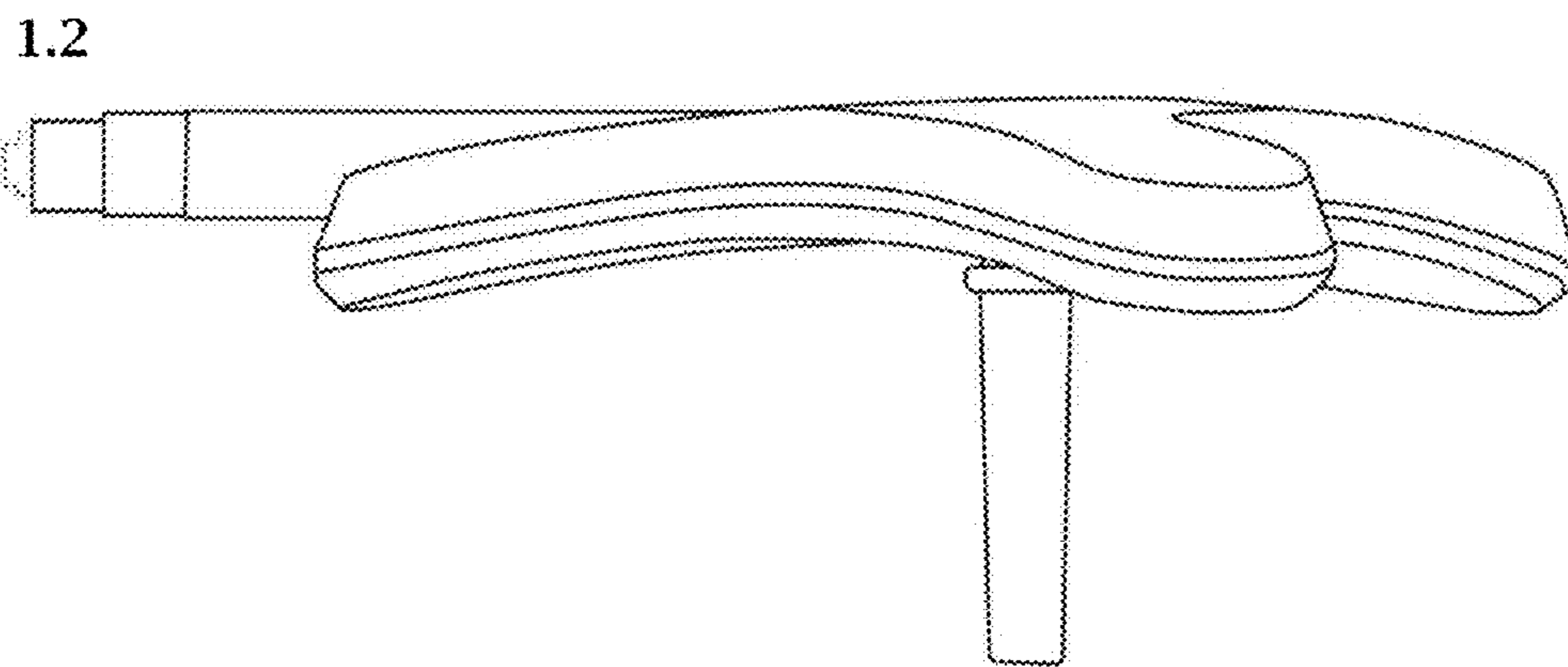
D644,368 S \* 8/2011 Fu ..... D26/65  
 D648,057 S \* 11/2011 Copeland ..... D26/65  
 D650,117 S \* 12/2011 Lu ..... D26/118  
 D655,033 S \* 2/2012 Verelst ..... D26/107  
 D661,419 S \* 6/2012 Huang ..... D26/62  
 D674,528 S \* 1/2013 Paz ..... D16/131  
 D690,457 S \* 9/2013 Lu ..... D26/118  
 D698,962 S \* 2/2014 Waldmann ..... D16/135  
 D708,779 S \* 7/2014 Cha ..... D26/125  
 D743,092 S \* 11/2015 Paulsen ..... D16/135  
 D756,021 S \* 5/2016 Weitgasser ..... D16/135  
 D757,991 S \* 5/2016 Intelisano ..... D26/118  
 D810,328 S \* 2/2018 Chen ..... D26/24  
 D823,514 S \* 7/2018 Timtchenko ..... D16/135  
 2003/0210553 A1 \* 11/2003 Huang ..... F16M 11/2064  
 362/402  
 2004/0095773 A1 \* 5/2004 Gaskins ..... F21V 21/116  
 362/370  
 2006/0082994 A1 \* 4/2006 Wang ..... F21K 9/00  
 362/227  
 2011/0085338 A1 \* 4/2011 Lu ..... F21V 21/06  
 362/268  
 2012/0170274 A1 \* 7/2012 Lu ..... G02B 25/02  
 362/253

OTHER PUBLICATIONS

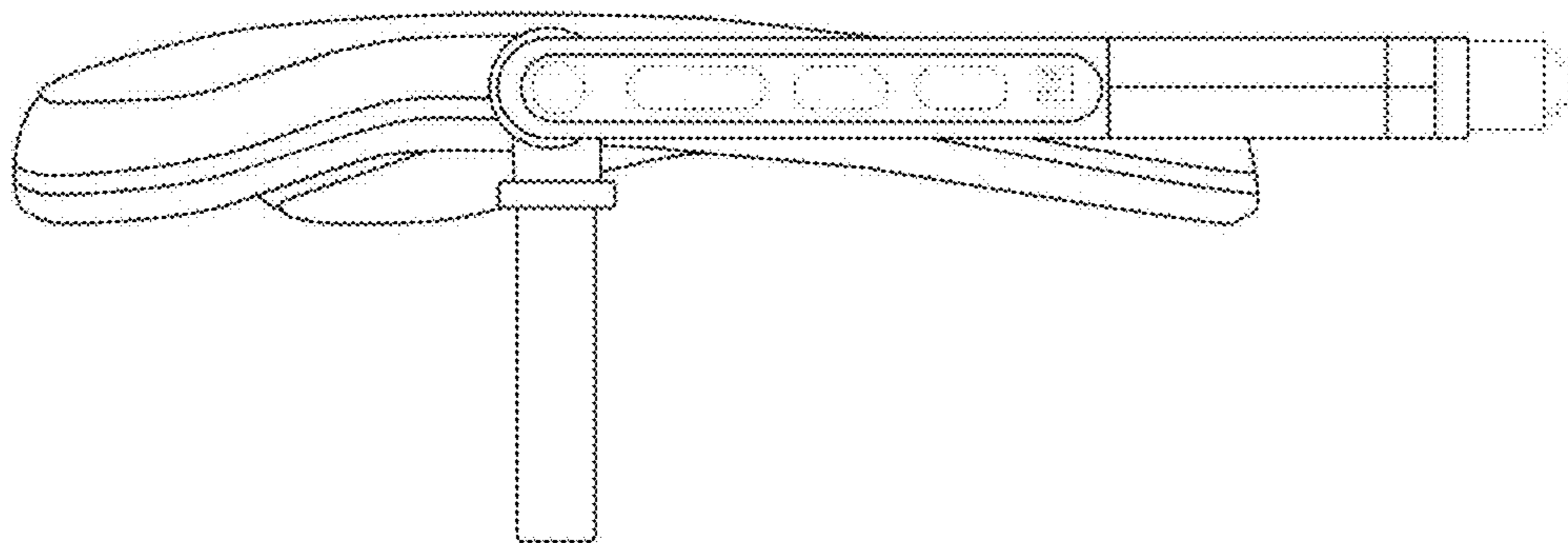
Medicana.com: FlexeLux 9 Minor Surgery Light. © 2016; 5 pages.  
 Found online Nov. 21, 2018 at <http://www.medicana.com/FlexeLux9-minor-surgery-light.html>.\*

\* cited by examiner

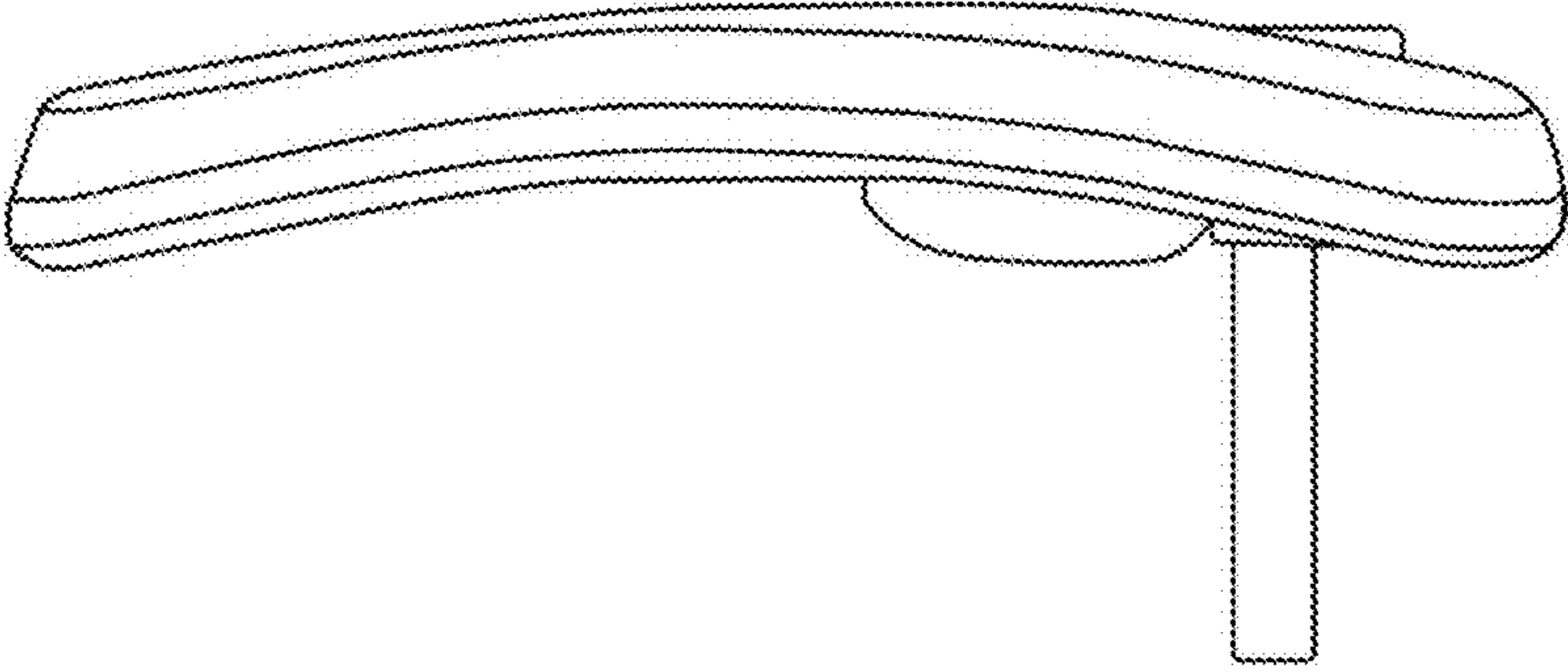




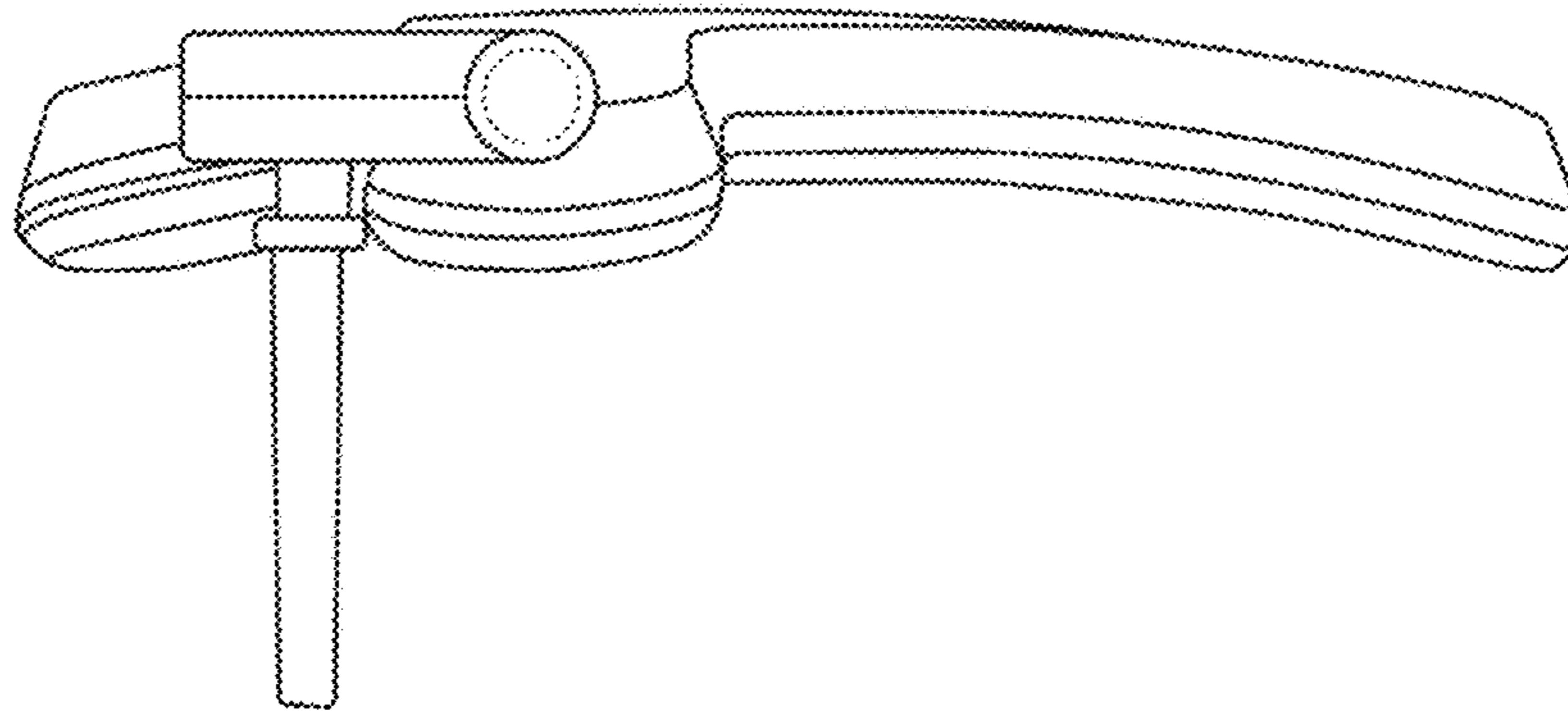
1.3



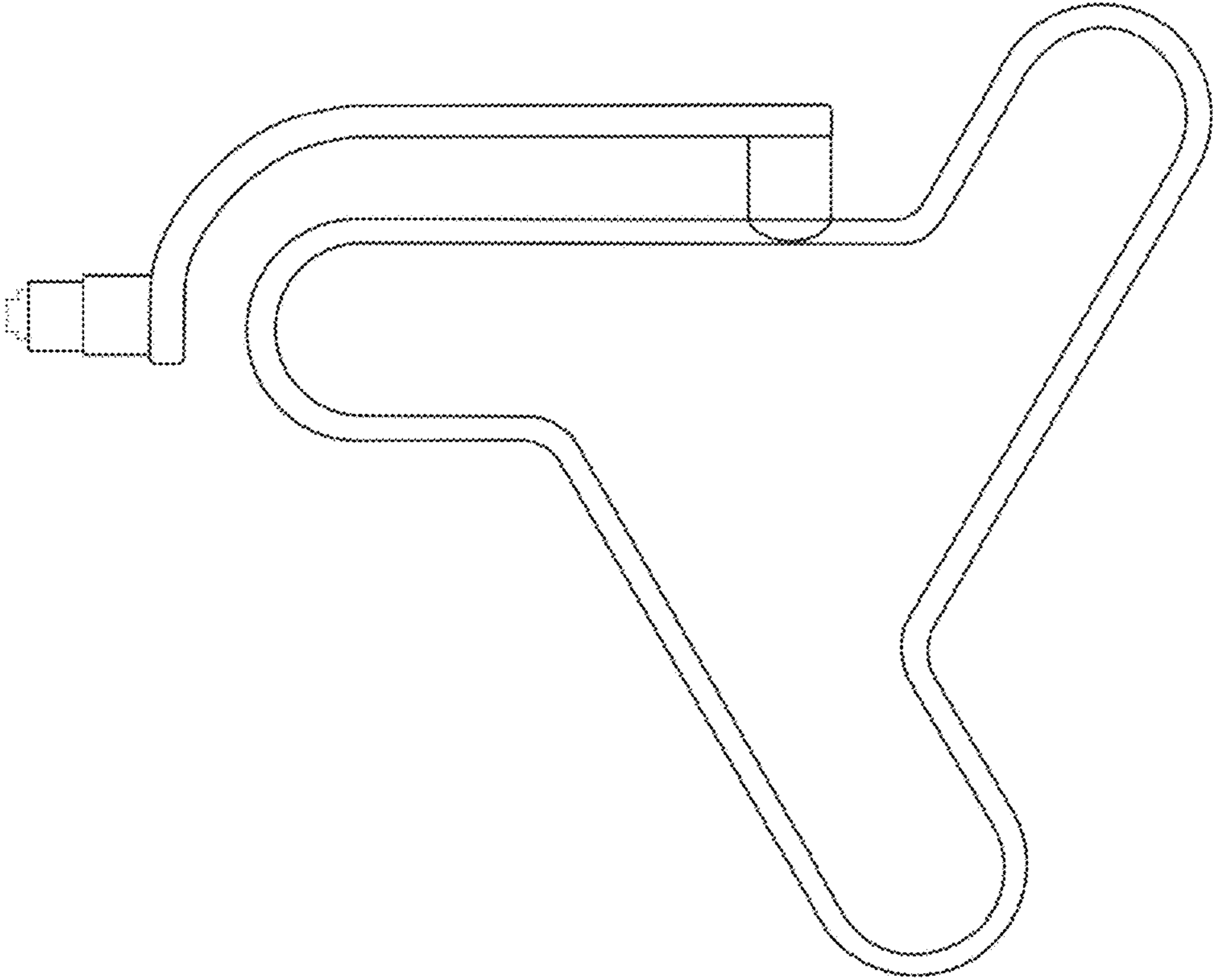
1.4



1.5

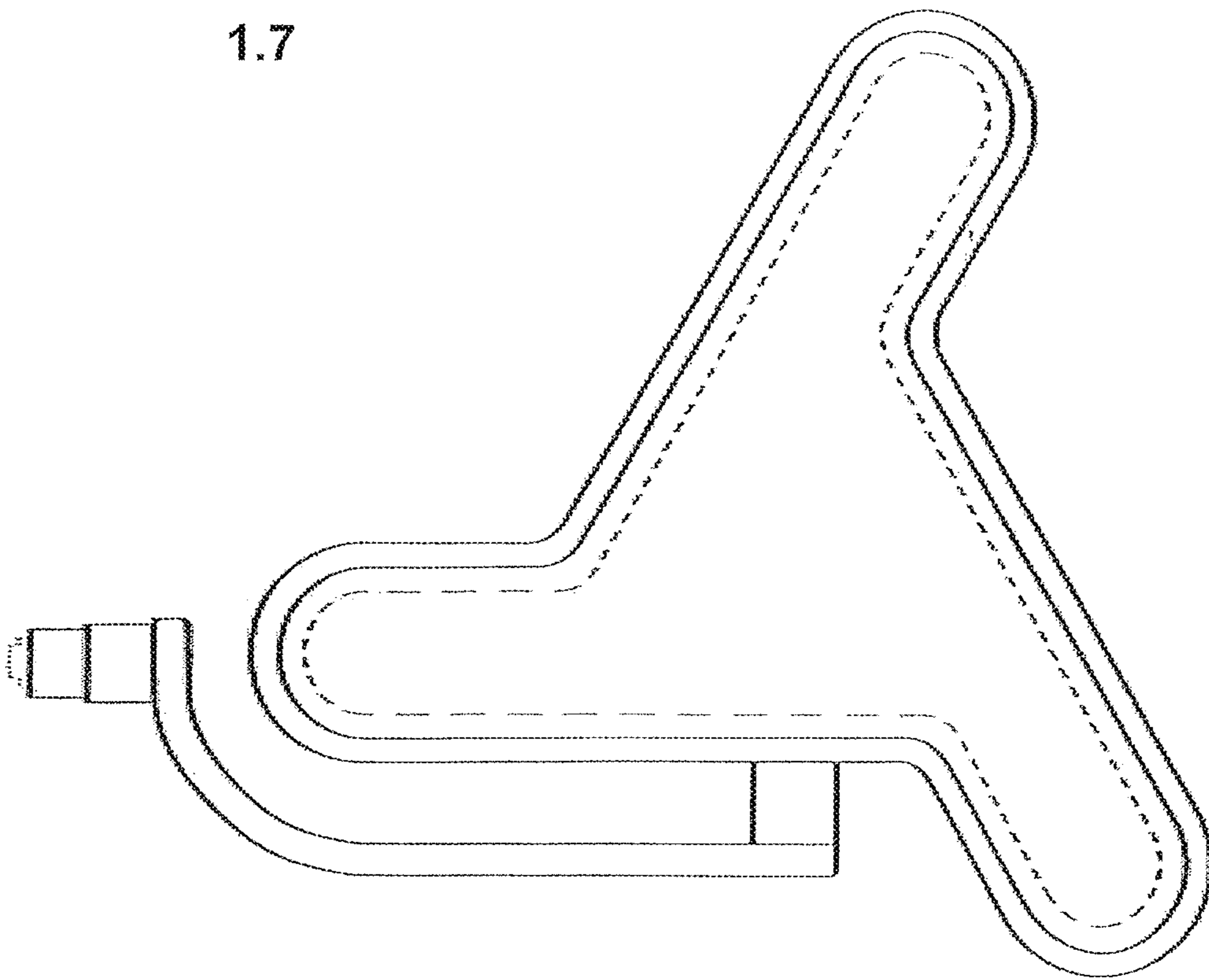


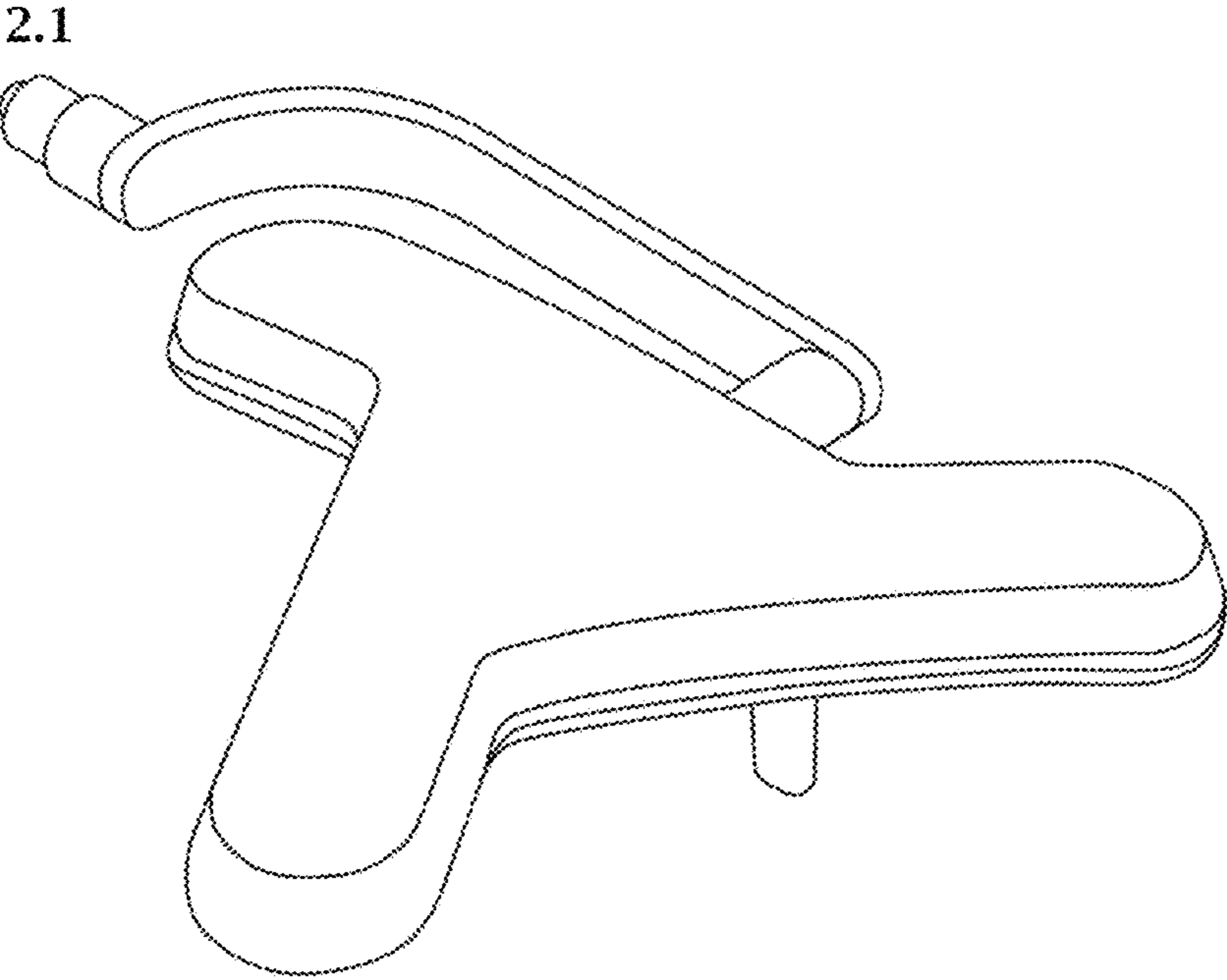
1.6

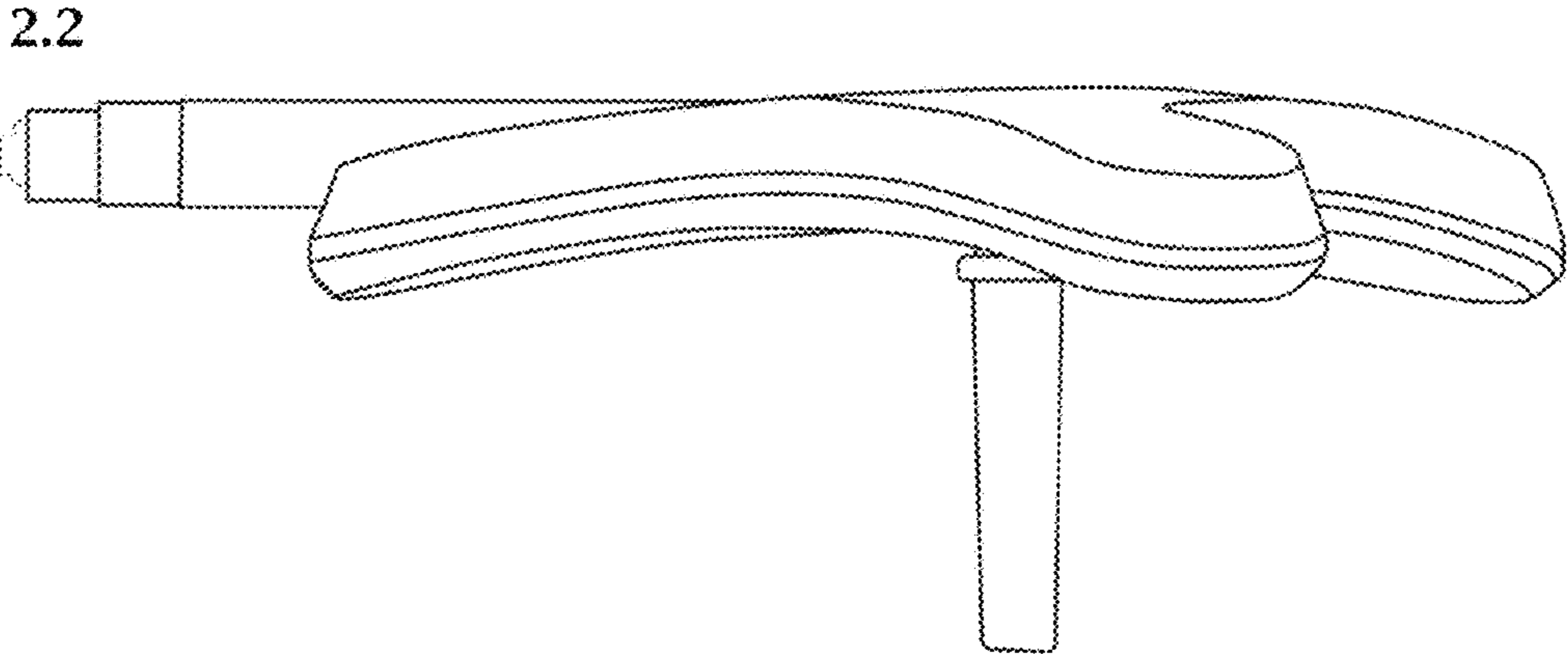




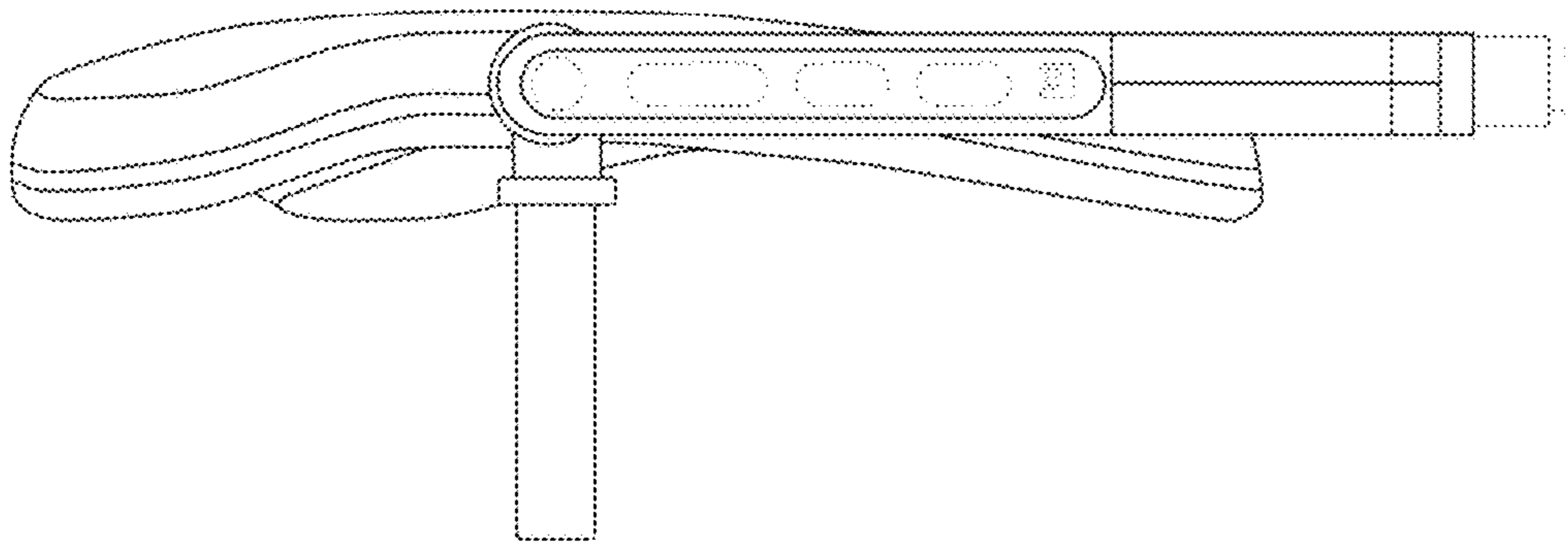
1.7



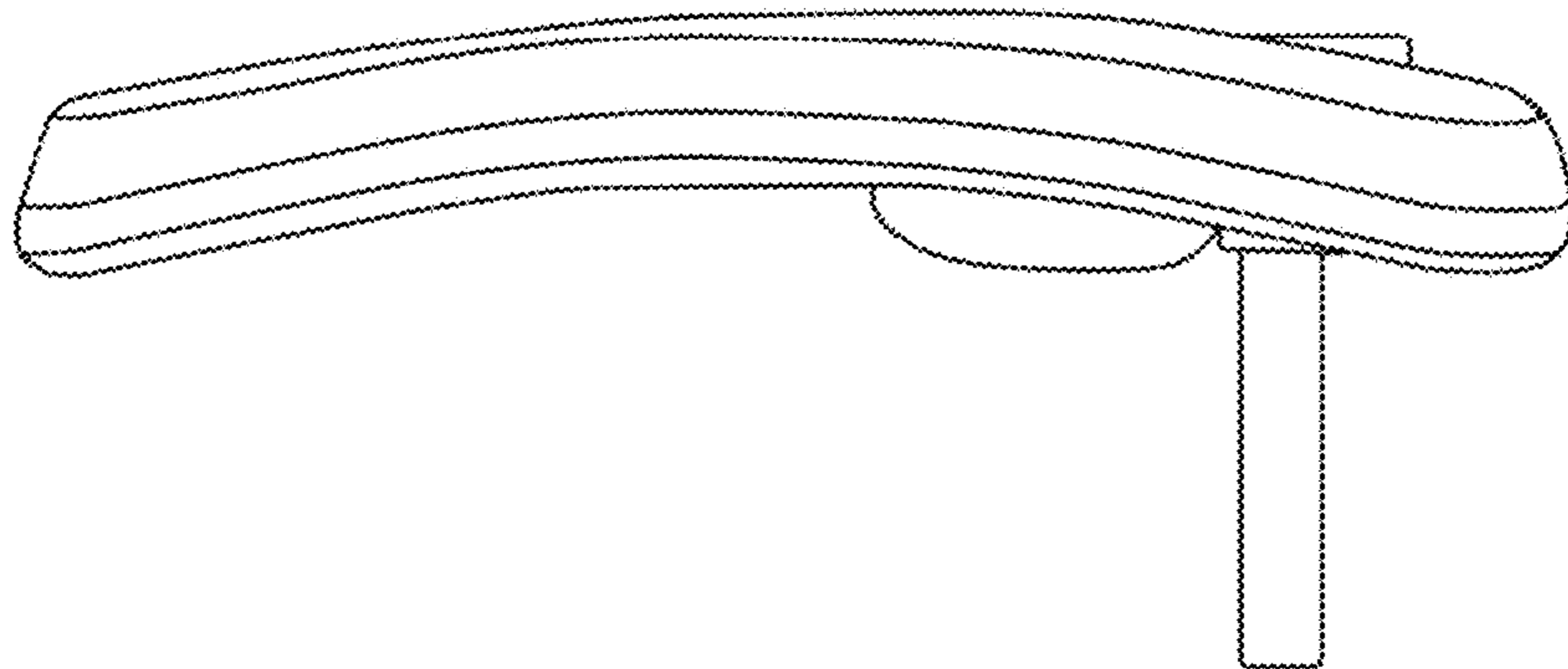




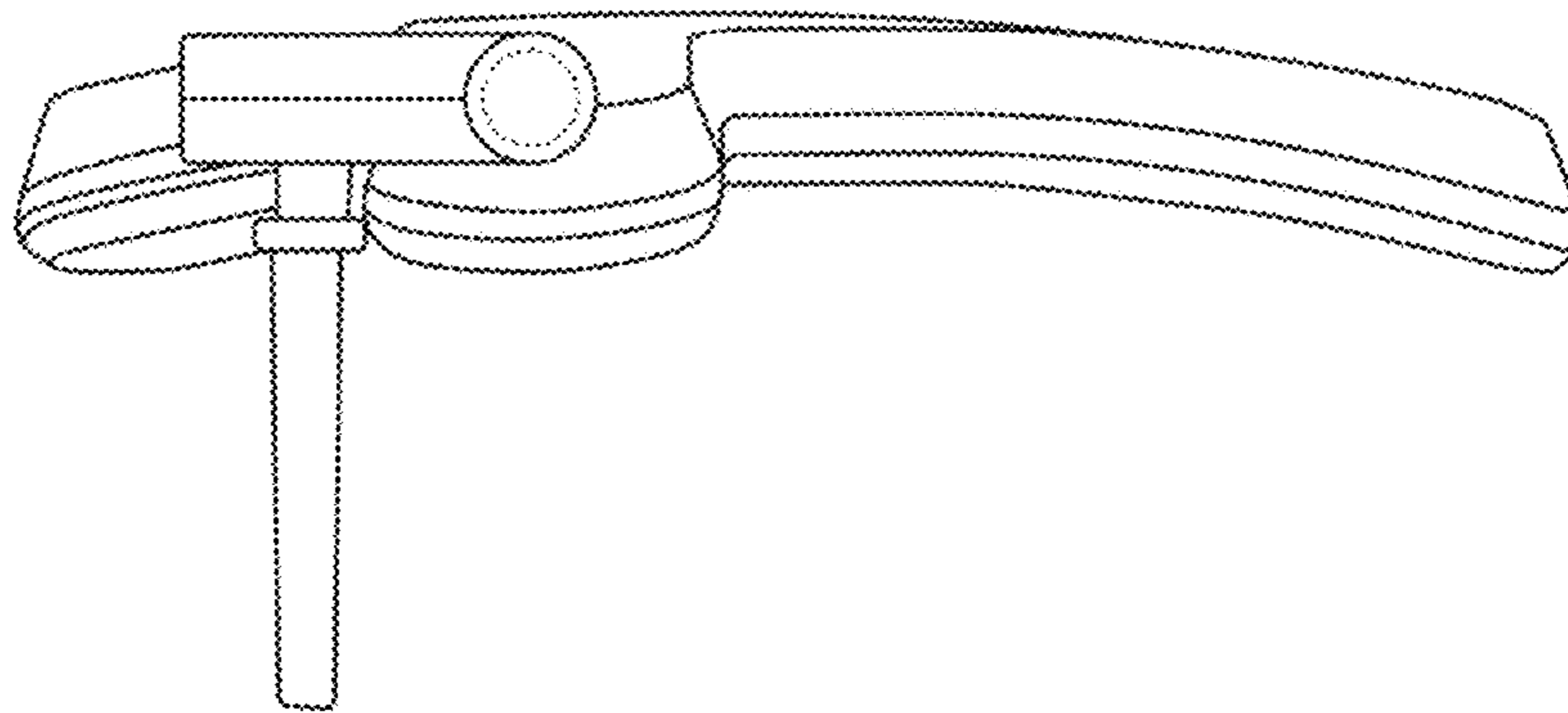
2.3



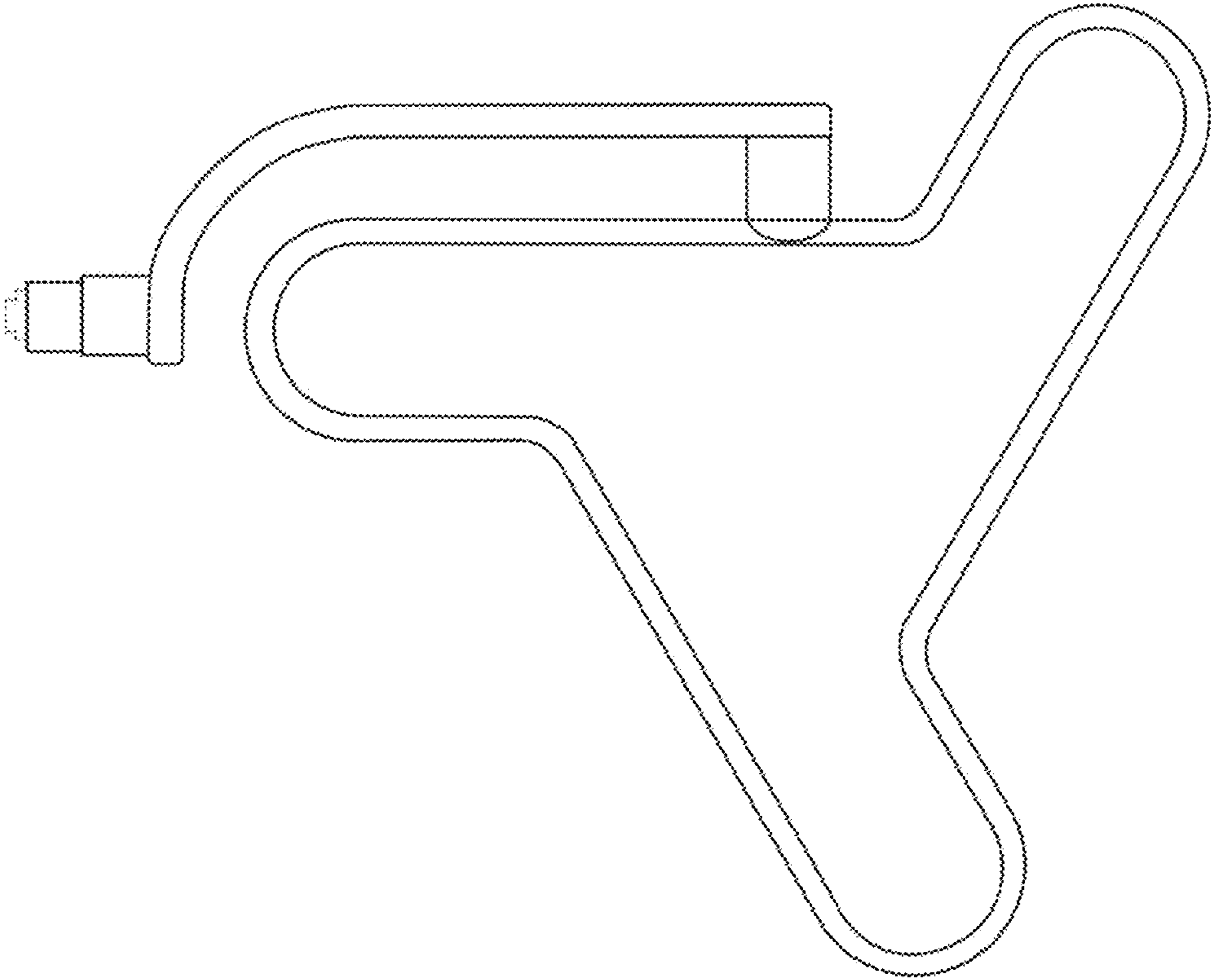
2.4

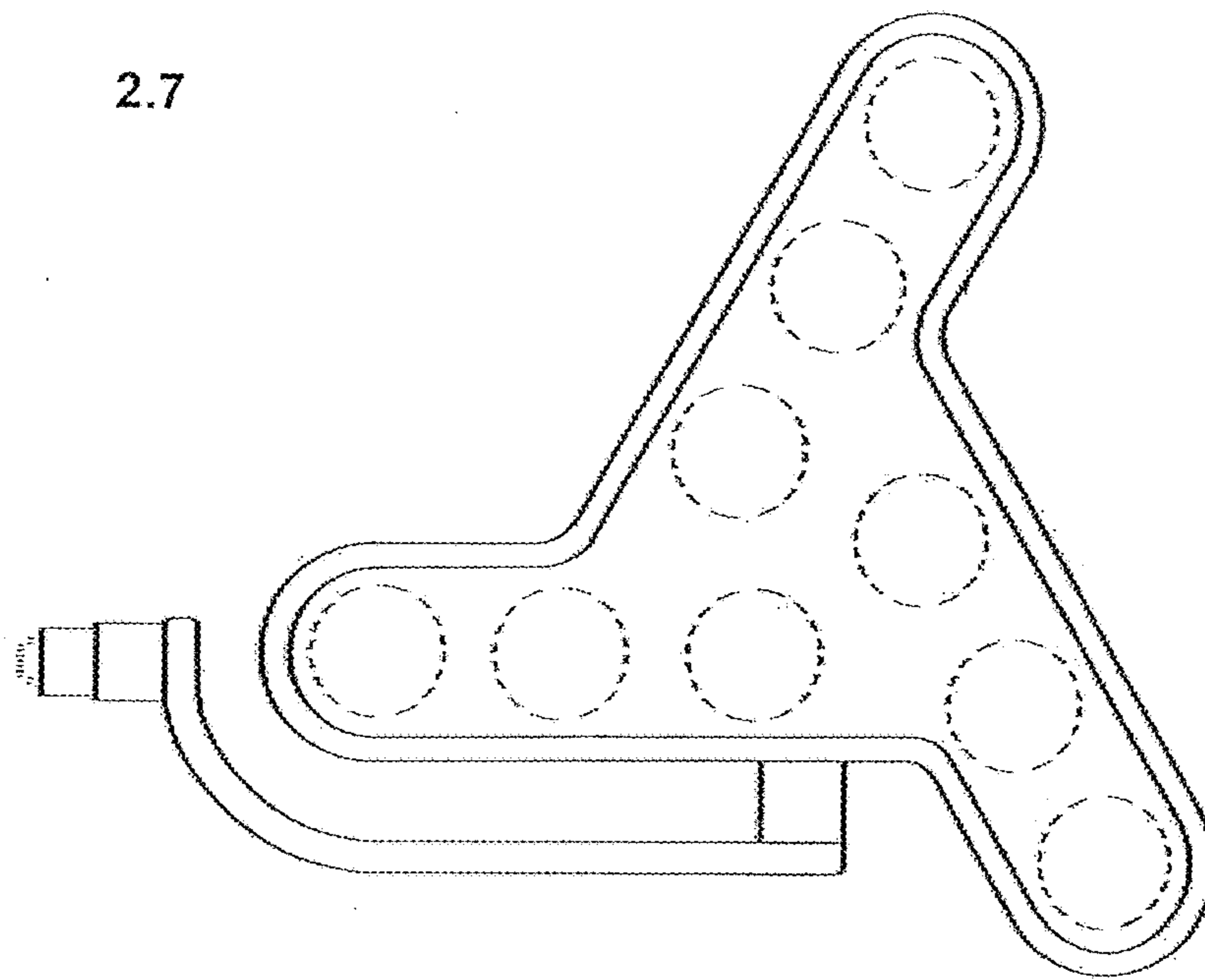


2.5



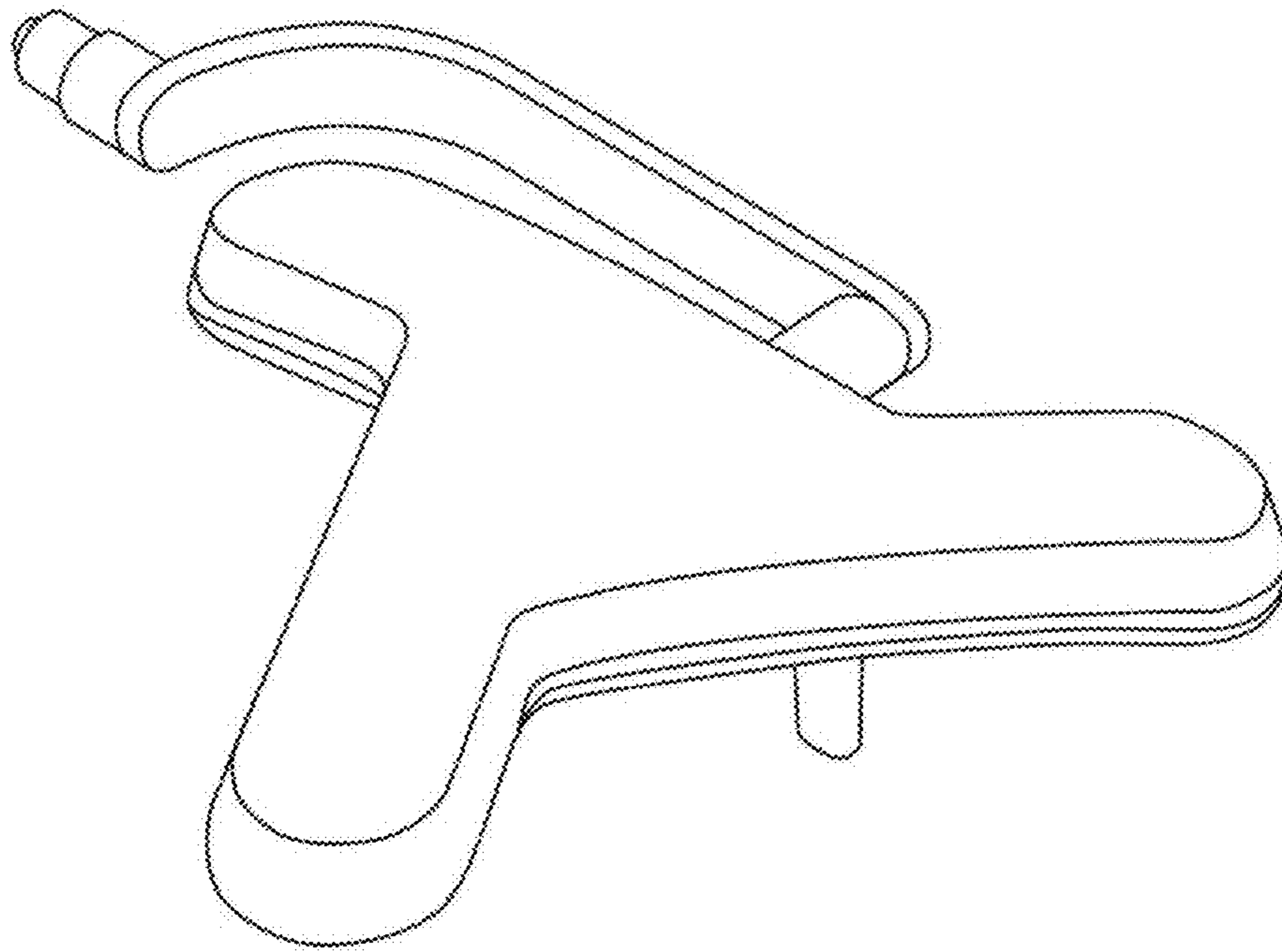
2.6

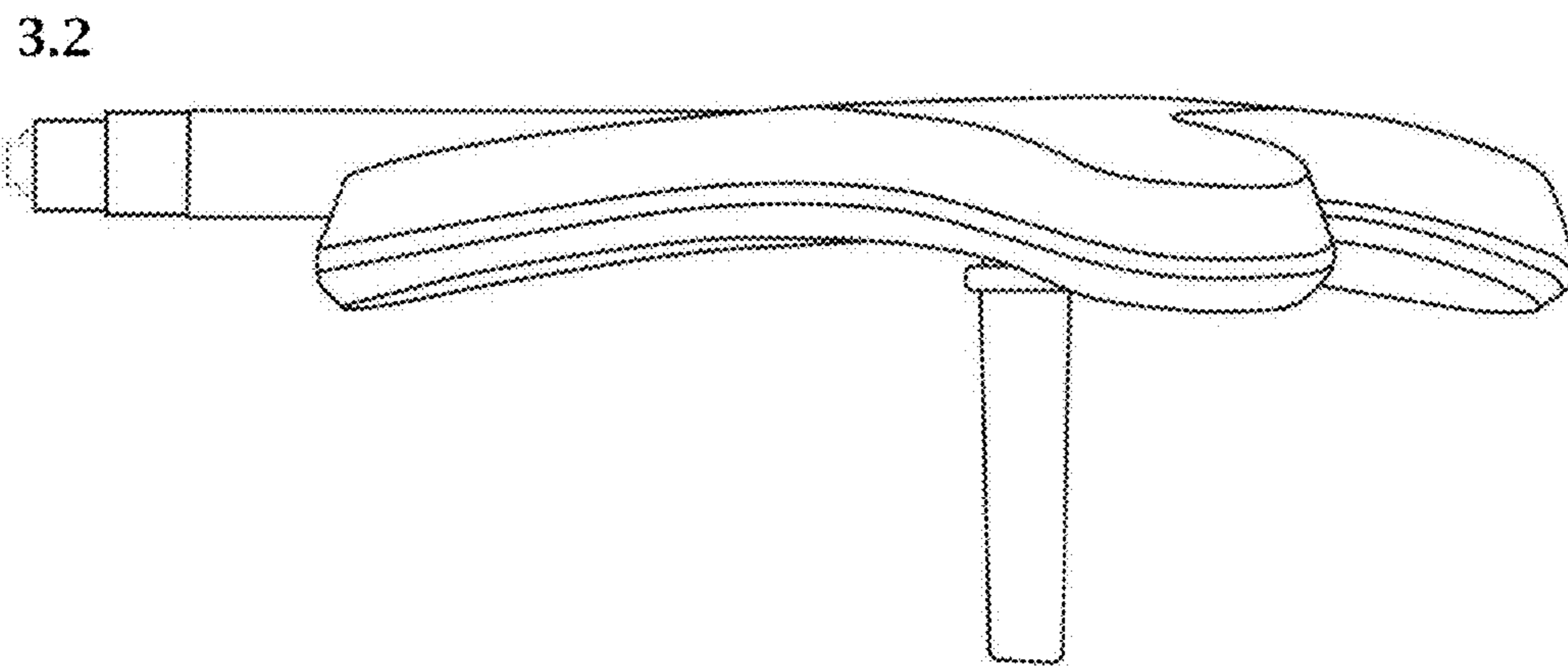




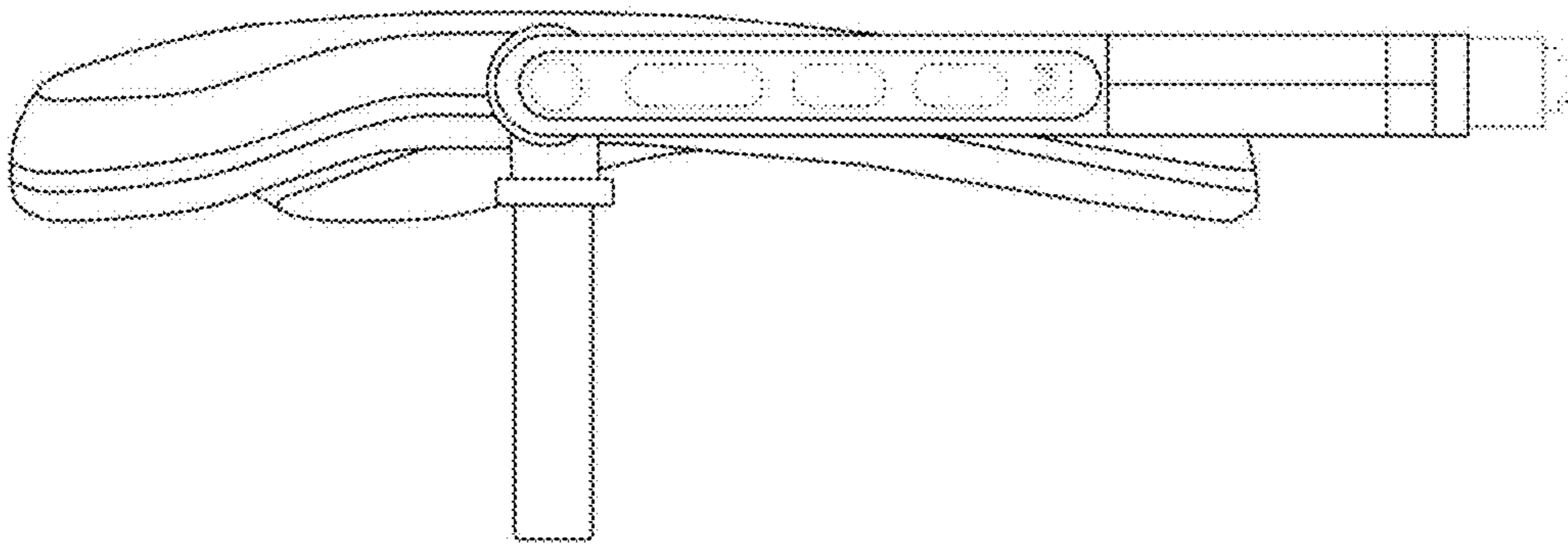


3.1

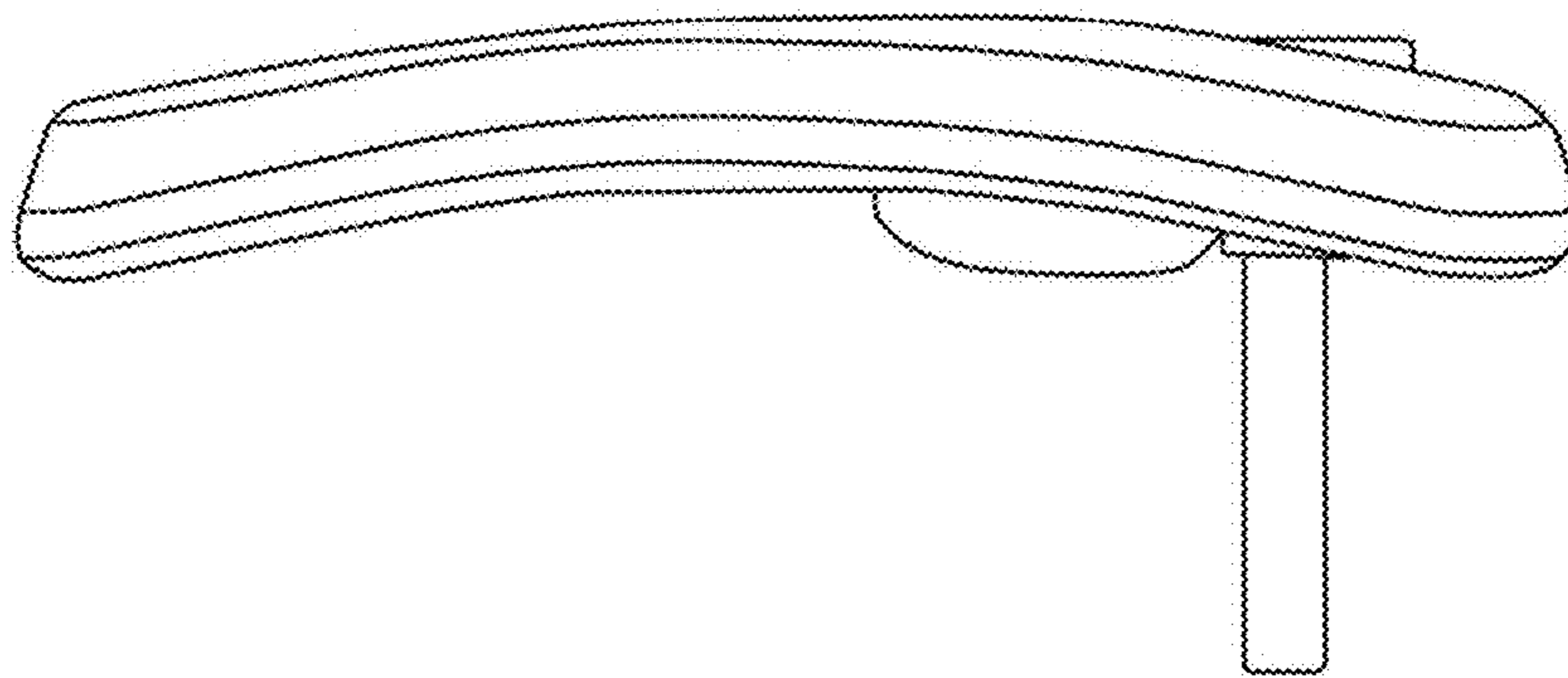




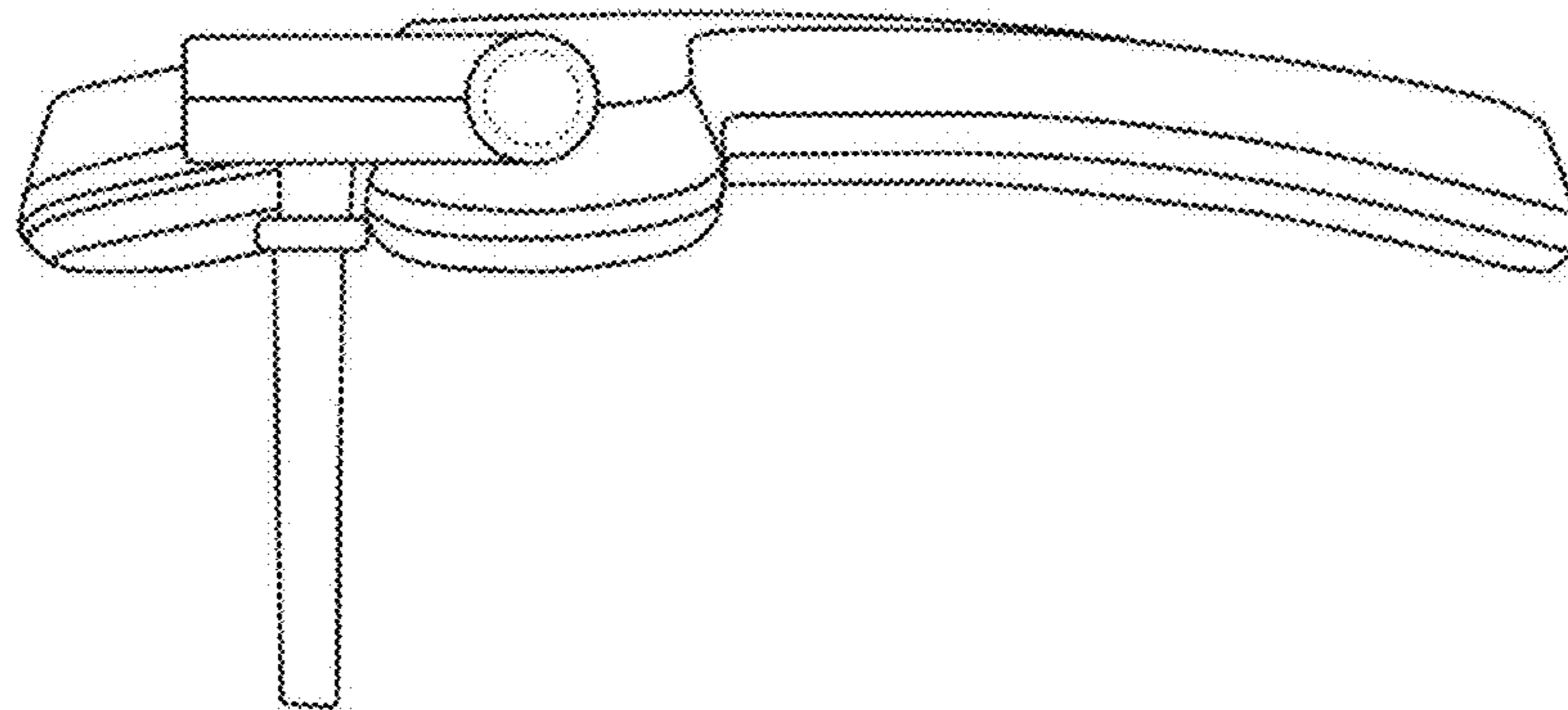
3.3



3.4



3.5



3.6

