



US00D862759S

(12) **United States Design Patent**
Mo

(10) **Patent No.:** **US D862,759 S**

(45) **Date of Patent:** **** Oct. 8, 2019**

(54) **SOLAR POWERED FOLDING WALL LIGHT**

(71) Applicant: **Huichui Mo**, Hechi (CN)

(72) Inventor: **Huichui Mo**, Hechi (CN)

(**) Term: **15 Years**

(21) Appl. No.: **29/695,394**

(22) Filed: **Jun. 19, 2019**

(51) **LOC (12) Cl.** **26-03**

(52) **U.S. Cl.**
USPC **D26/65; D26/106**

(58) **Field of Classification Search**
USPC D26/24, 37, 51, 61, 63, 65, 72, 80, 118,
D26/93, 106

CPC F21S 8/04; F21S 8/00; F21V 21/00; F21V
17/02; F21V 14/02; F21V 21/30; F21V
21/14; F21V 21/26; F21W 2131/10

See application file for complete search history.

(56) **References Cited**

U.S. PATENT DOCUMENTS

D535,774 S *	1/2007	Weston	D26/61
D538,963 S *	3/2007	Starck	D26/93
D603,986 S *	11/2009	Kuo	D26/37
D607,915 S *	1/2010	Fong	D26/118
D620,181 S	7/2010	Sanoner		
D630,355 S *	1/2011	Gulker	D26/37
D641,917 S *	7/2011	Toratani	D26/93

D710,527 S *	8/2014	Brown	D26/63
D748,318 S	1/2016	Bobel		
D800,939 S *	10/2017	Cai	D26/65
D805,673 S *	12/2017	Dai	D26/63
D823,516 S *	7/2018	Xiao	D26/65
D828,602 S *	9/2018	He	D26/65
D844,212 S	3/2019	Chen		

* cited by examiner

Primary Examiner — Brian N. Vinson

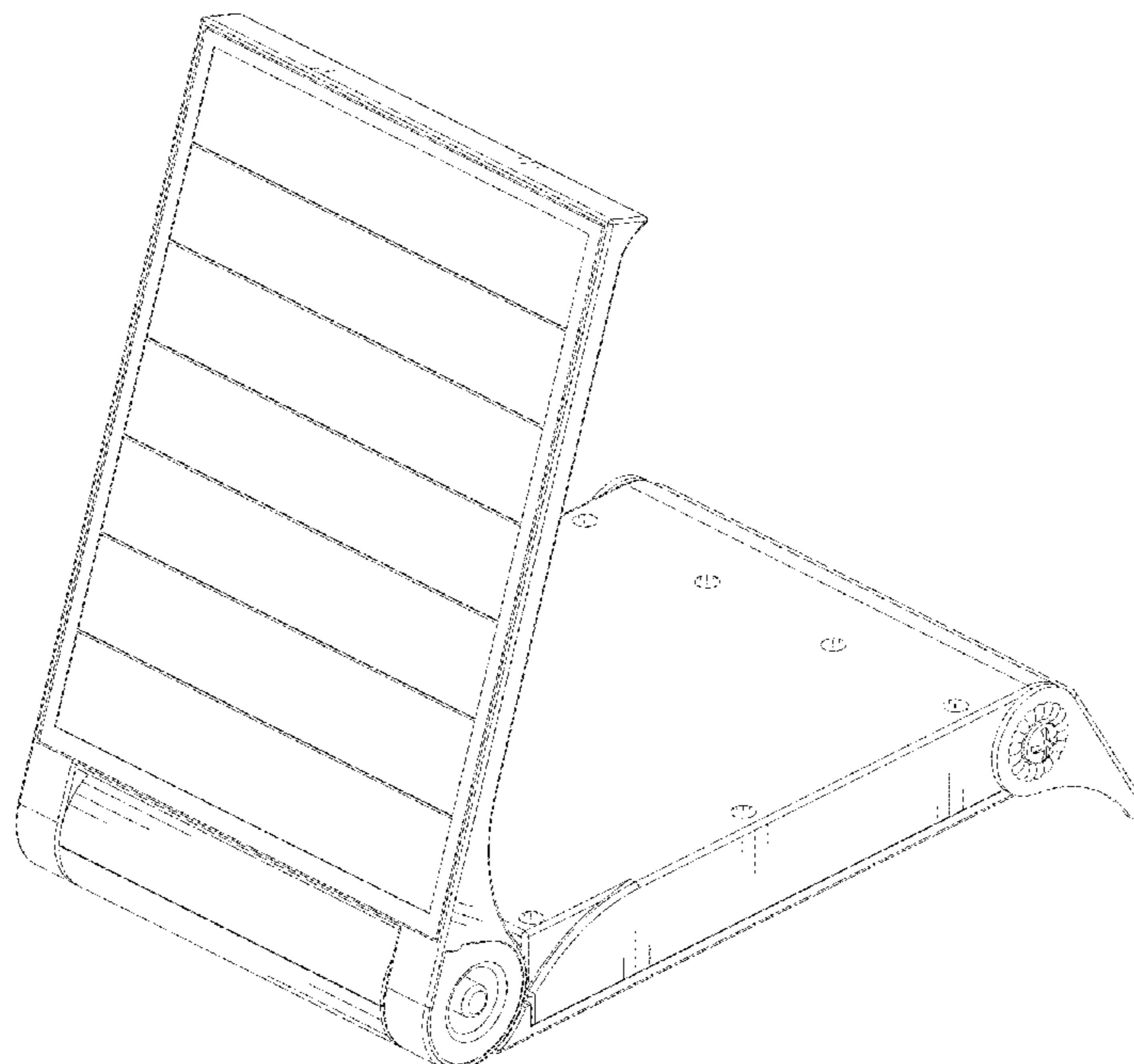
(57) **CLAIM**

The ornamental design for a solar powered folding wall light, as shown and described.

DESCRIPTION

FIG. 1 is a front perspective view of a solar powered folding wall light showing my new design;
 FIG. 2 is a back perspective view thereof;
 FIG. 3 is a bottom perspective view thereof;
 FIG. 4 is a front view thereof;
 FIG. 5 is a back view thereof;
 FIG. 6 is a left side view thereof;
 FIG. 7 is a right side view thereof;
 FIG. 8 is a top view thereof;
 FIG. 9 is a bottom view thereof; and,
 FIG. 10 is a right side view showing the solar powered folding wall light in an installation status.

1 Claim, 10 Drawing Sheets



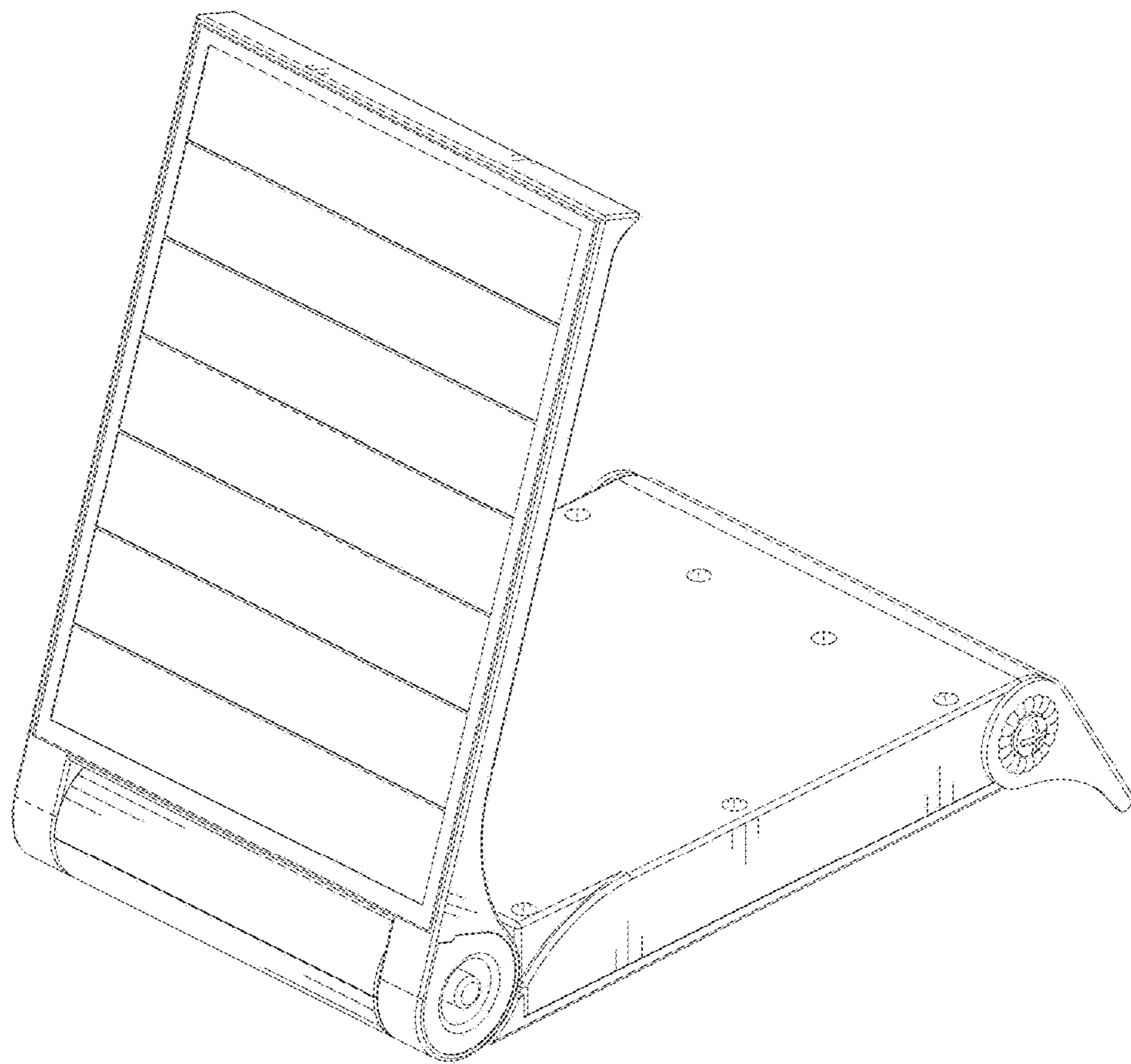


FIG. 1

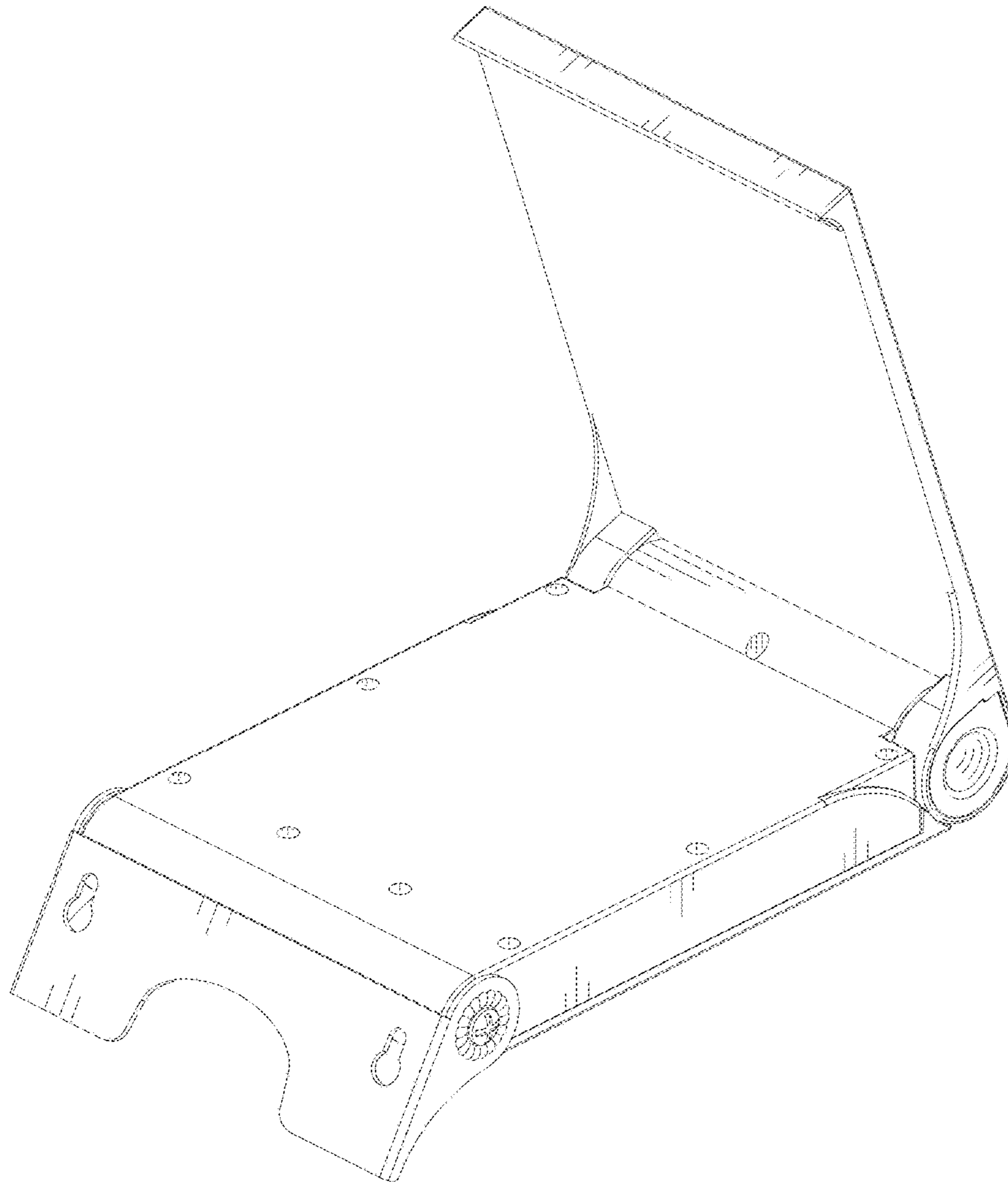


FIG. 2

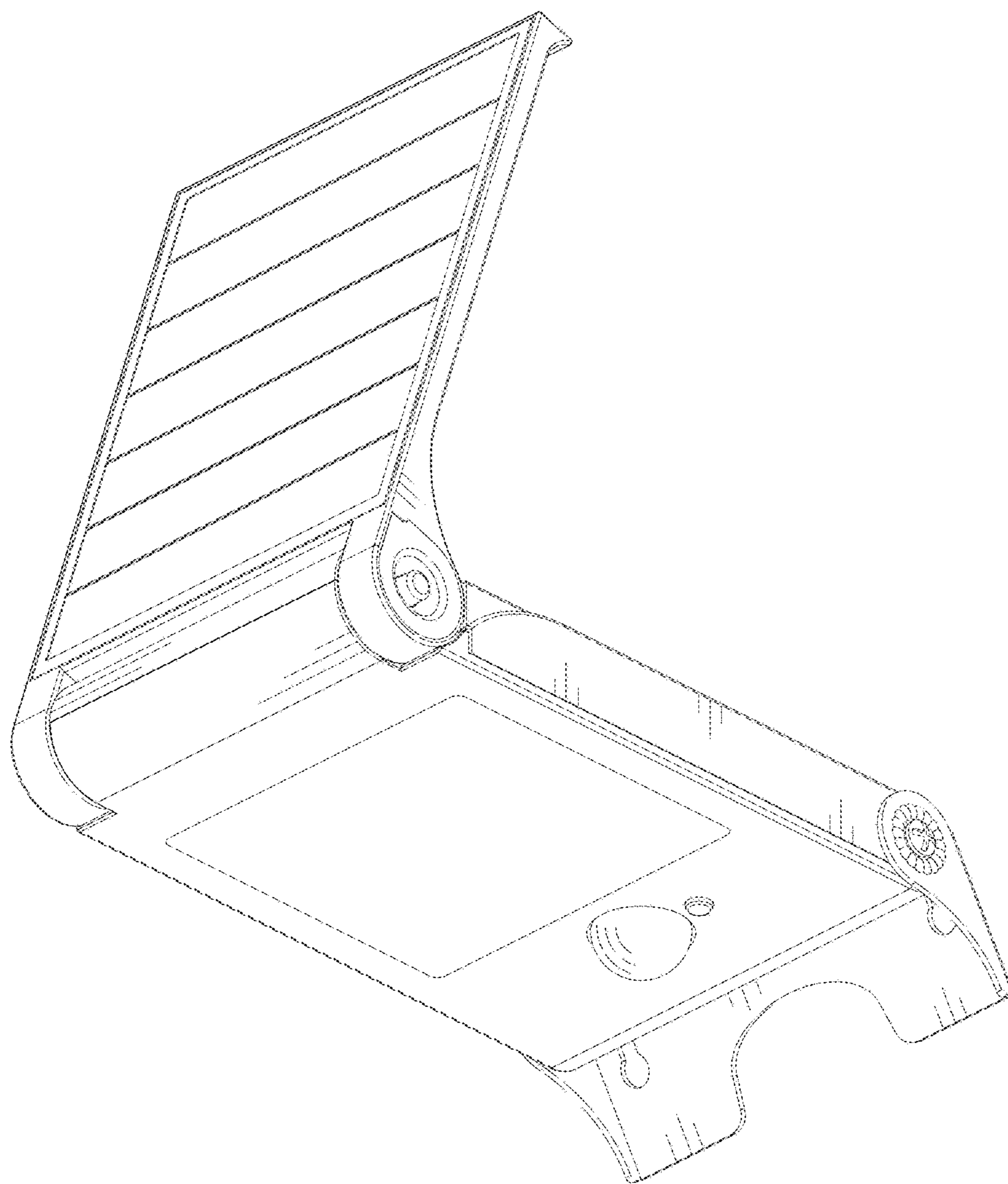


FIG. 3

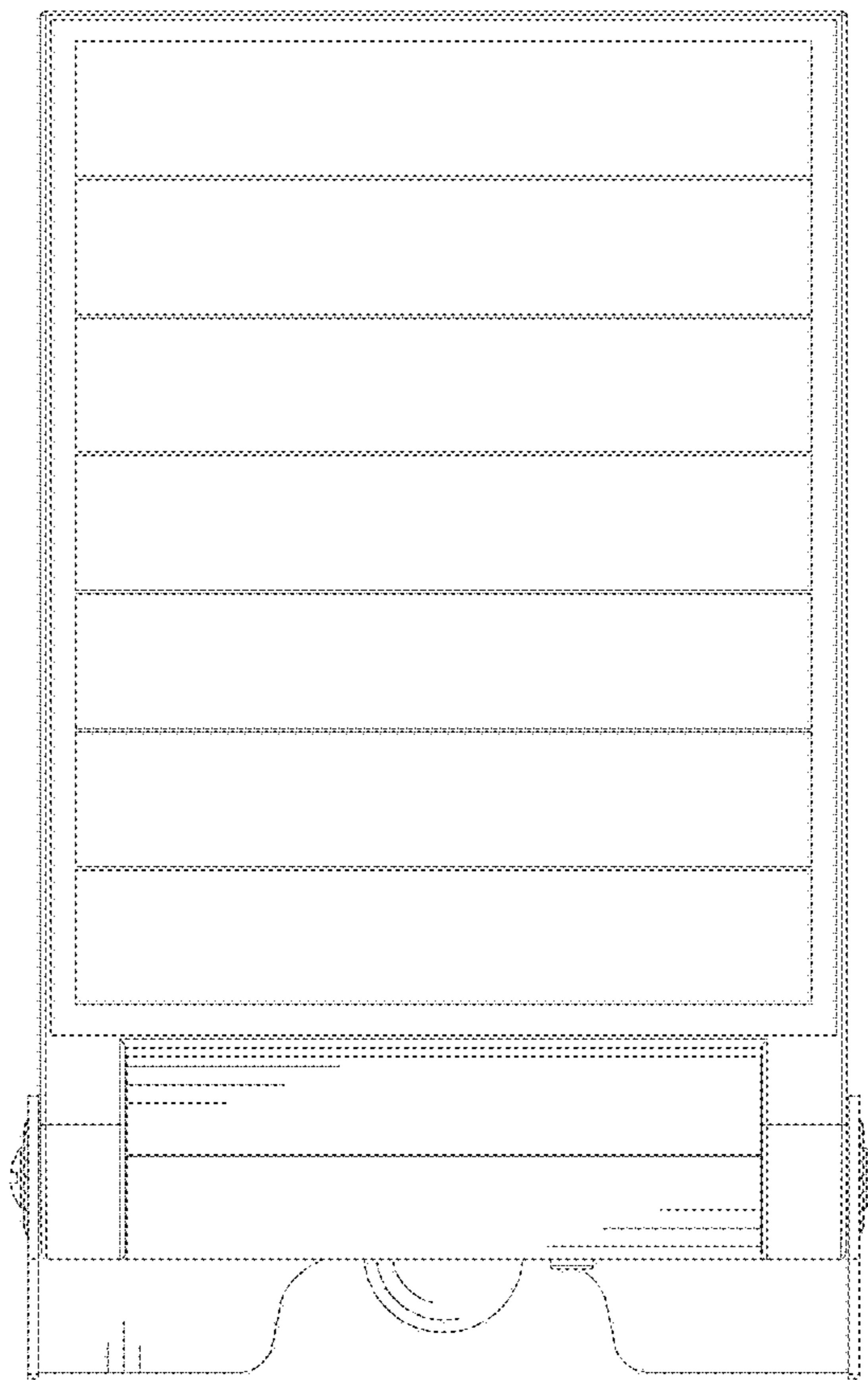


FIG. 4

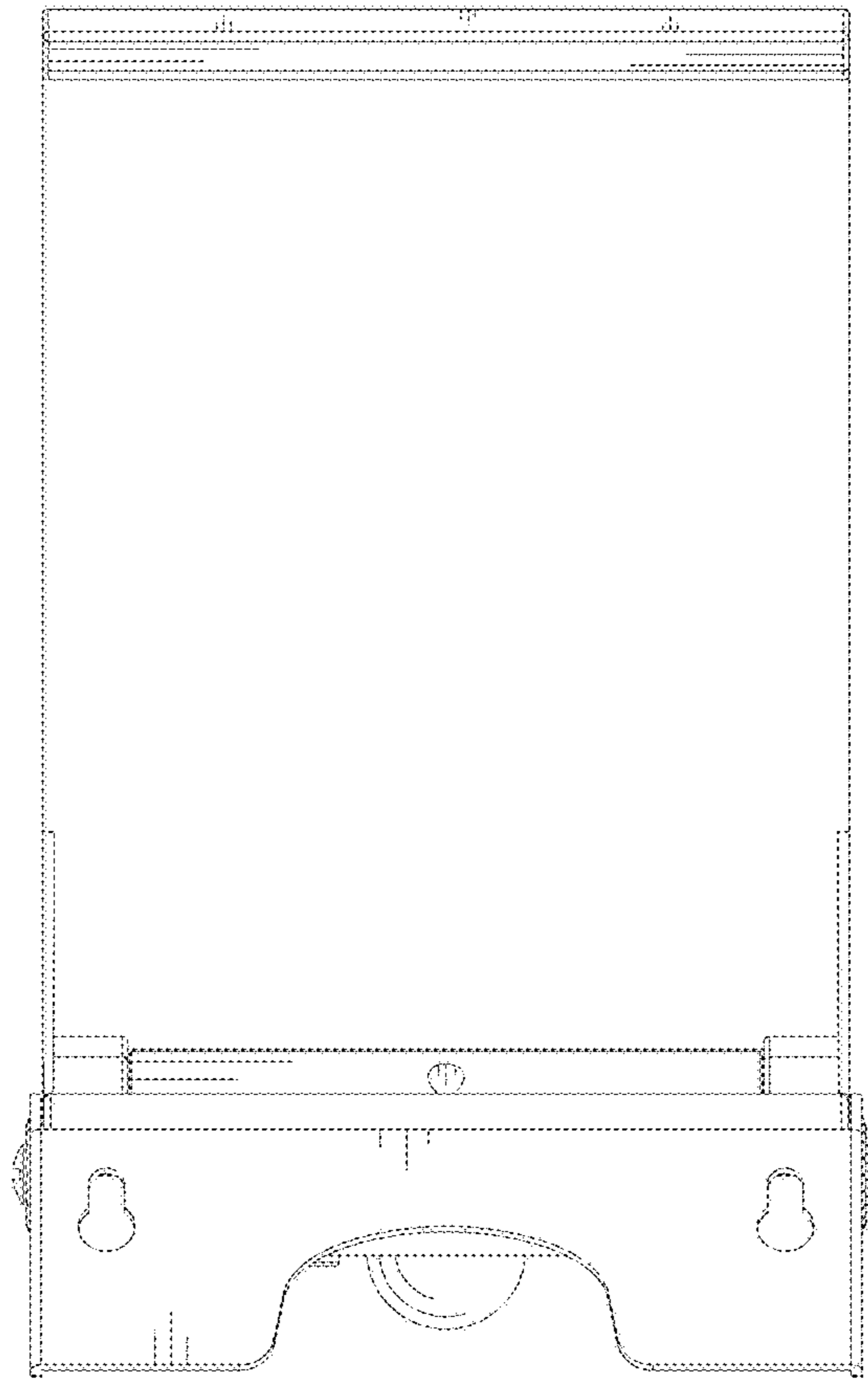


FIG. 5

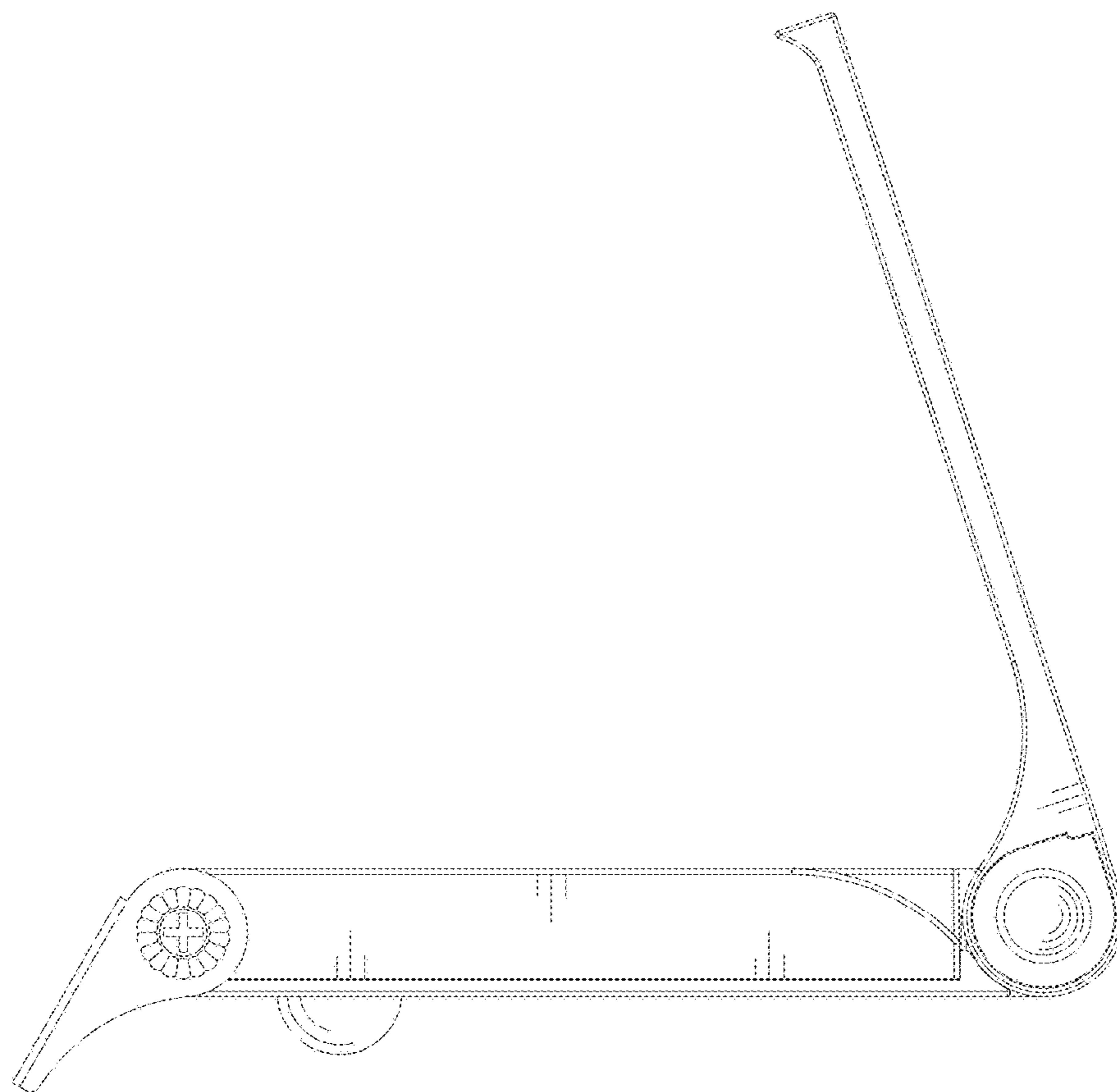


FIG. 6

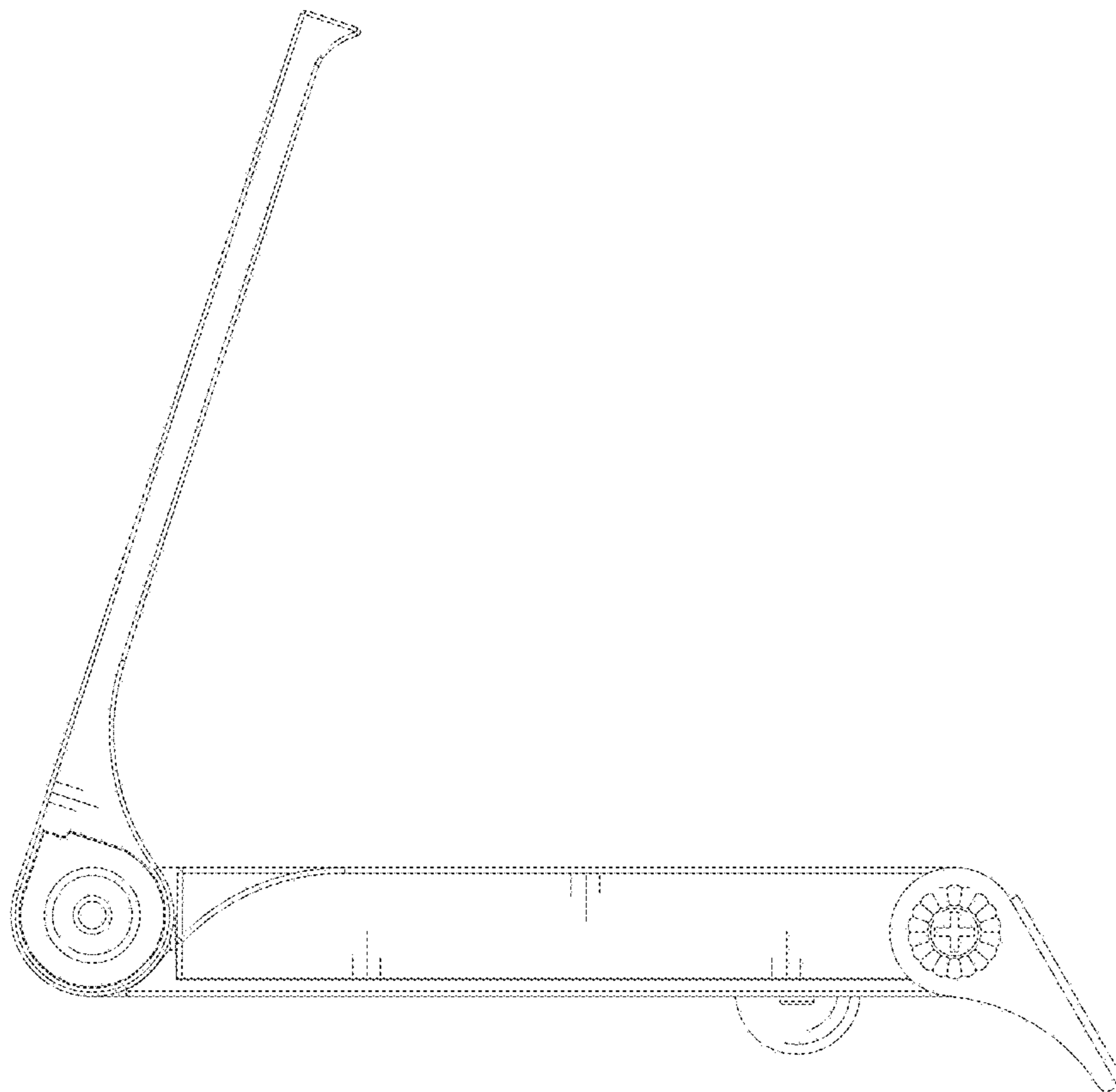


FIG. 7

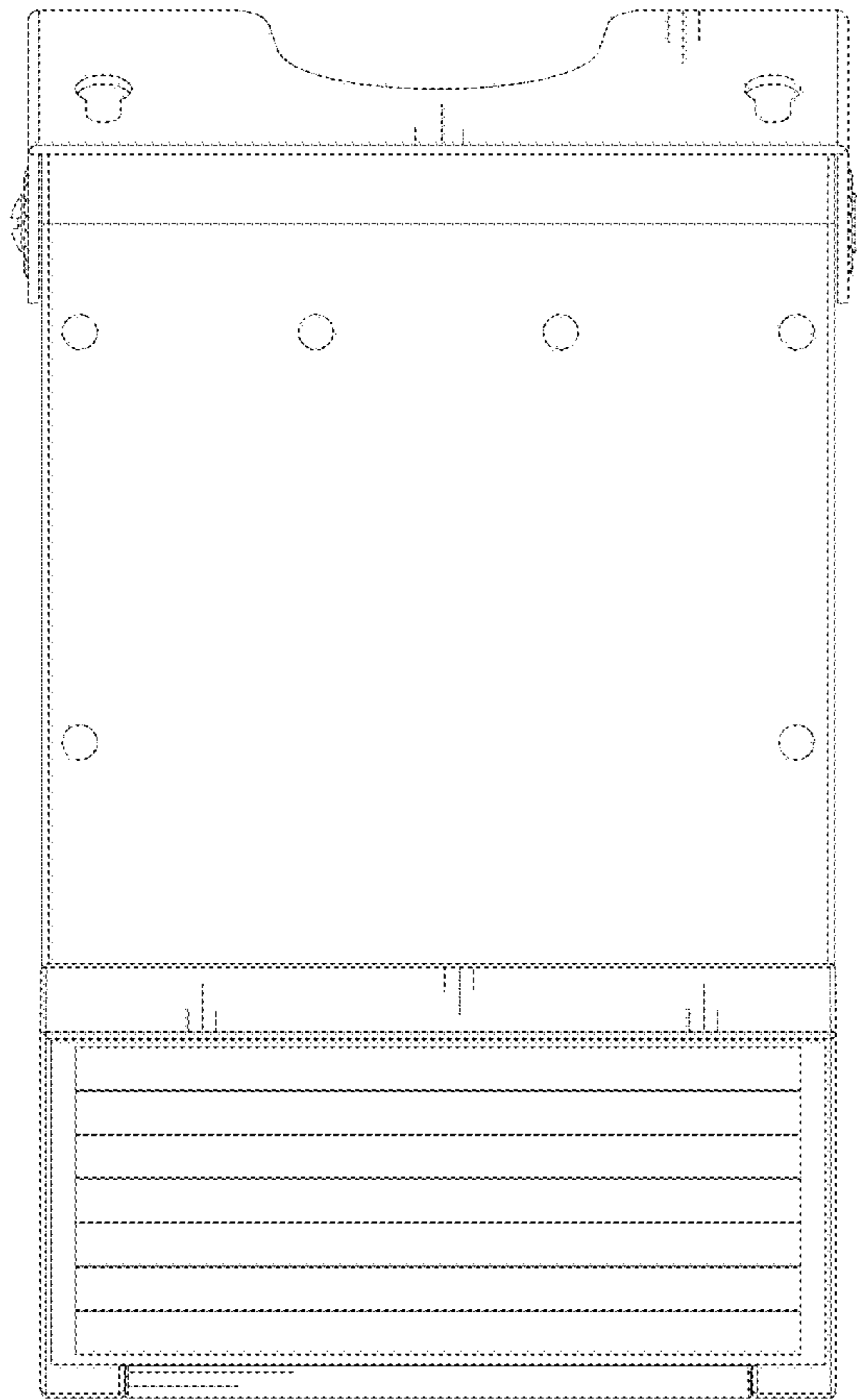


FIG. 8

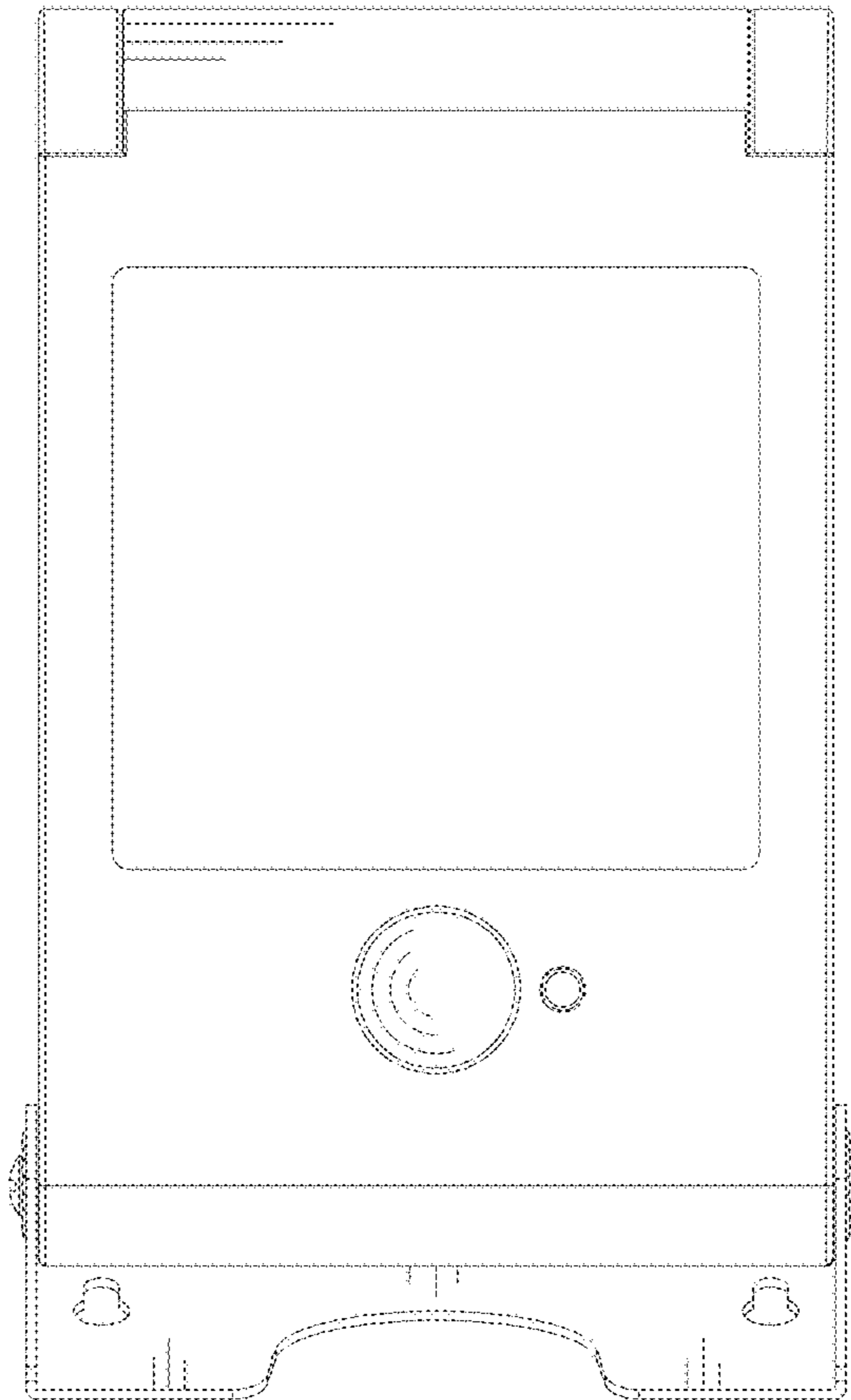


FIG. 9

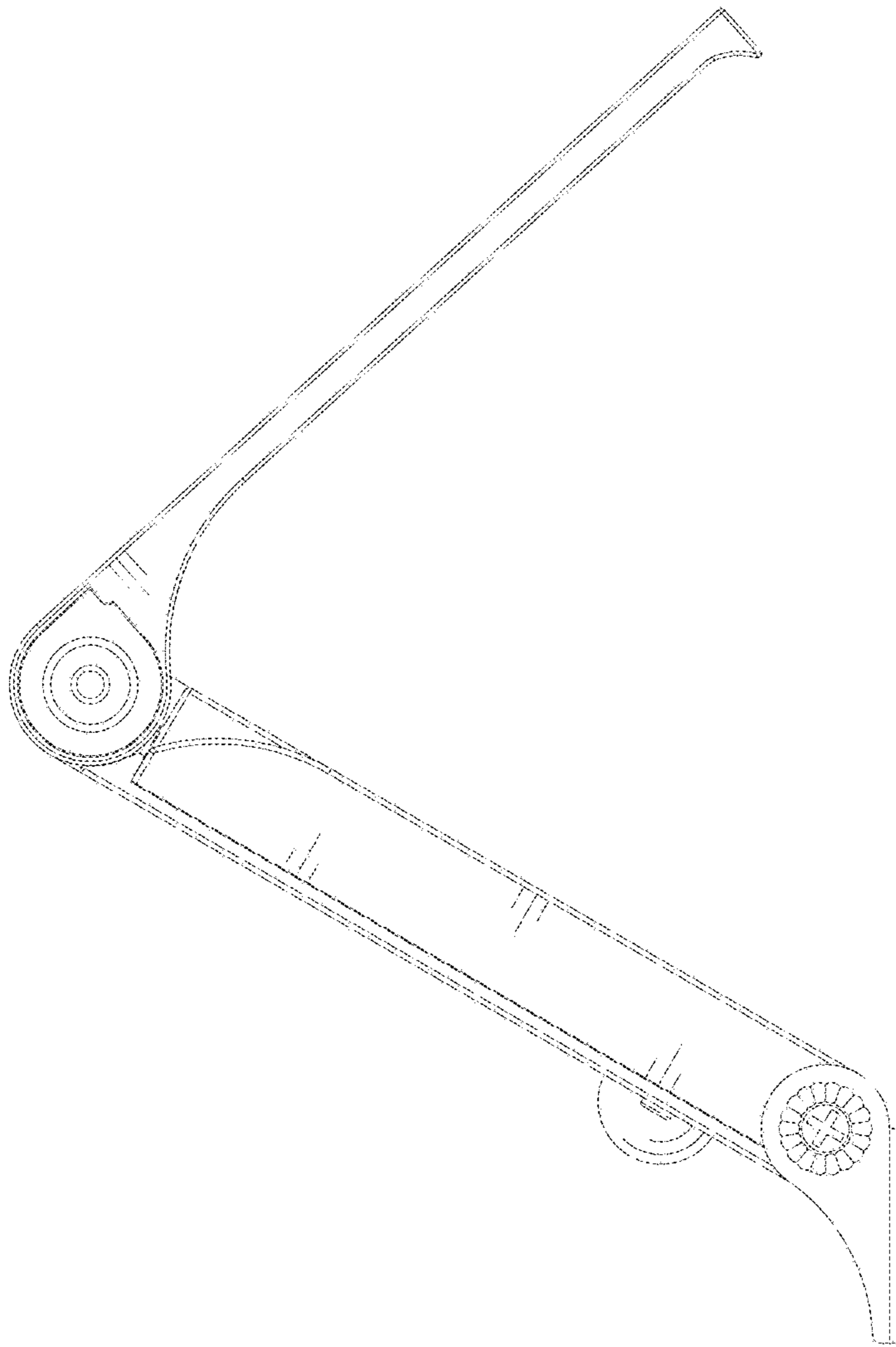


FIG. 10