



US00D862758S

(12) **United States Design Patent**  
**Zhu**

(10) **Patent No.:** **US D862,758 S**  
(45) **Date of Patent:** **\*\* Oct. 8, 2019**

- (54) **WALL LAMP WITH SENSOR**
- (71) Applicant: **YUYAO YUDA INDUSTRIAL CO., LTD.**, Ningbo, Zhejiang (CN)
- (72) Inventor: **Liyun Zhu**, Zhejiang (CN)
- (73) Assignee: **YUYAO YUDA INDUSTRIAL CO., LTD.**, Ningbo (CN)
- (\*\*) Term: **15 Years**
- (21) Appl. No.: **29/649,701**
- (22) Filed: **May 31, 2018**
- (51) **LOC (12) Cl.** ..... **26-03**
- (52) **U.S. Cl.**  
USPC ..... **D26/63**
- (58) **Field of Classification Search**  
USPC ..... D26/24, 37, 44, 60, 61, 63-66, 72, 74,  
D26/80, 81, 83, 85-87, 92, 102, 113  
CPC ..... F21S 8/00; F21S 8/003; F21S 8/04; F21S  
8/043; F21S 8/08; F21V 14/00; F21V  
14/02; F21V 15/01; F21V 17/02; F21V  
19/00; F21V 21/00; F21V 21/02; F21V  
21/06; F21V 21/14; F21V 21/26; F21V  
21/30; F21V 23/02; F21V 23/04; F21V  
29/00; F21V 33/00  
See application file for complete search history.

D759,291 S \* 6/2016 Chen ..... D26/120  
D804,074 S \* 11/2017 Fang ..... D26/65  
10,107,480 B1 \* 10/2018 Ladewig ..... F21V 17/02

**OTHER PUBLICATIONS**

Heath Zenith HZ-5511-BZ 110-Degree 150-Watt Motion-Sensing Security Light, Bronze, dated Apr. 13, 2007, [online], [site visited Mar. 26, 2019]. Available from Internet, <URL: <https://www.amazon.com/HZ-5511-BZ-110-Degree-150-Watt-Motion-Sensing-Security/dp/B000OUZC5O>> (Year: 2007).\*

\* cited by examiner

*Primary Examiner* — Angela J Lee  
*Assistant Examiner* — Shawn T Gingrich

(57) **CLAIM**

The ornamental design for a wall lamp with sensor, as shown and described.

**DESCRIPTION**

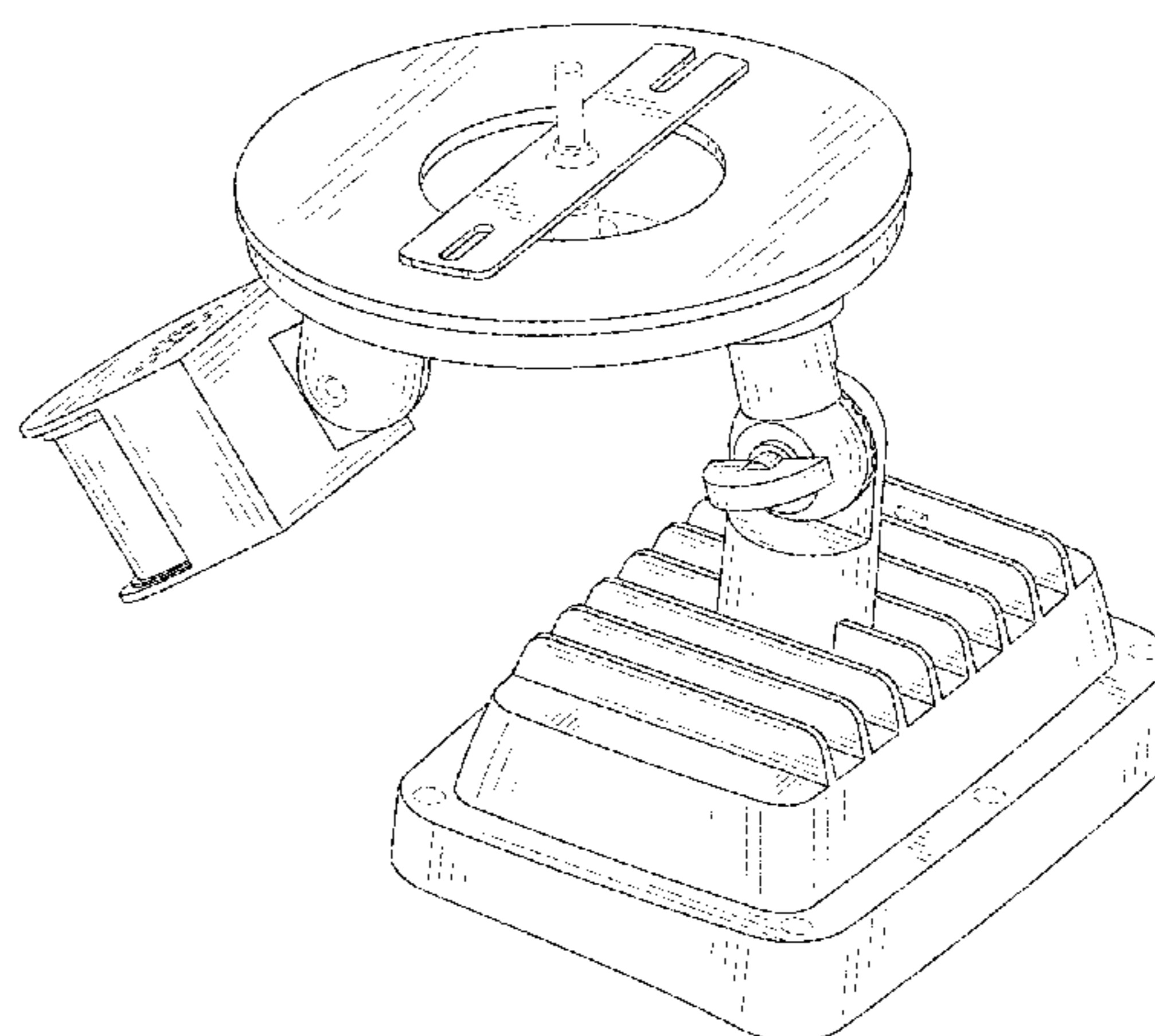
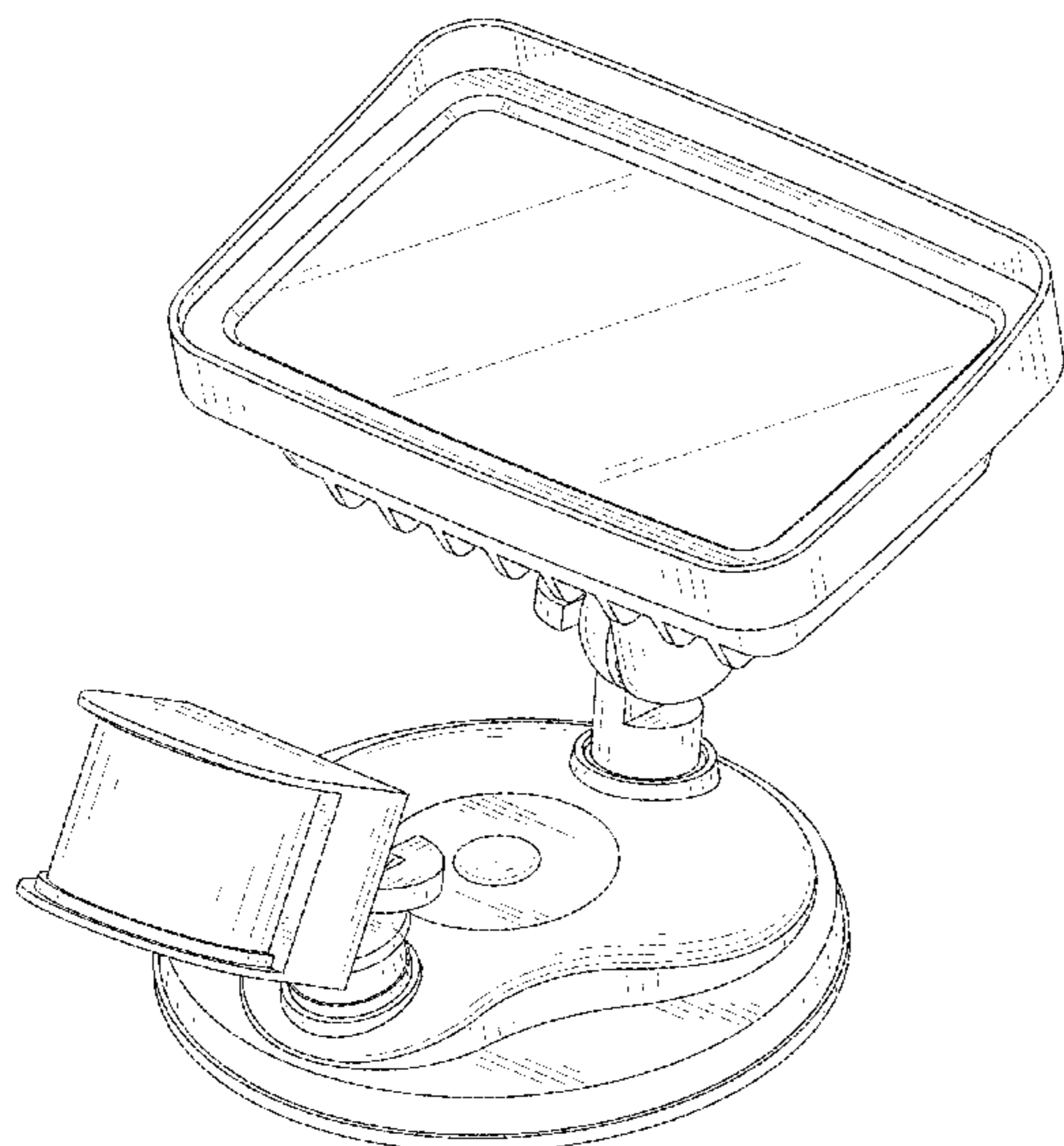
FIG. 1 is a front and right side perspective view of a wall lamp with sensor showing my new design;  
 FIG. 2 is a rear and left side perspective view thereof;  
 FIG. 3 is a front elevational view thereof;  
 FIG. 4 is a rear elevational view thereof;  
 FIG. 5 is a left side view thereof;  
 FIG. 6 is a right side view thereof;  
 FIG. 7 is a top plan view thereof; and,  
 FIG. 8 is a bottom plan view thereof.  
 The broken lines in the drawings illustrate portions of the wall lamp with sensor which form no part of the claimed design.  
 The oblique shade lines in the drawings represent reflective surfaces.

(56) **References Cited**

**U.S. PATENT DOCUMENTS**

- D316,456 S \* 4/1991 De Candia ..... D26/63
- D438,998 S \* 3/2001 Finke ..... D10/106.1
- 6,276,814 B1 \* 8/2001 Gough ..... F21V 23/04  
362/228
- D720,485 S \* 12/2014 Gough ..... D26/63
- D723,727 S \* 3/2015 Moeller ..... D26/63

**1 Claim, 8 Drawing Sheets**



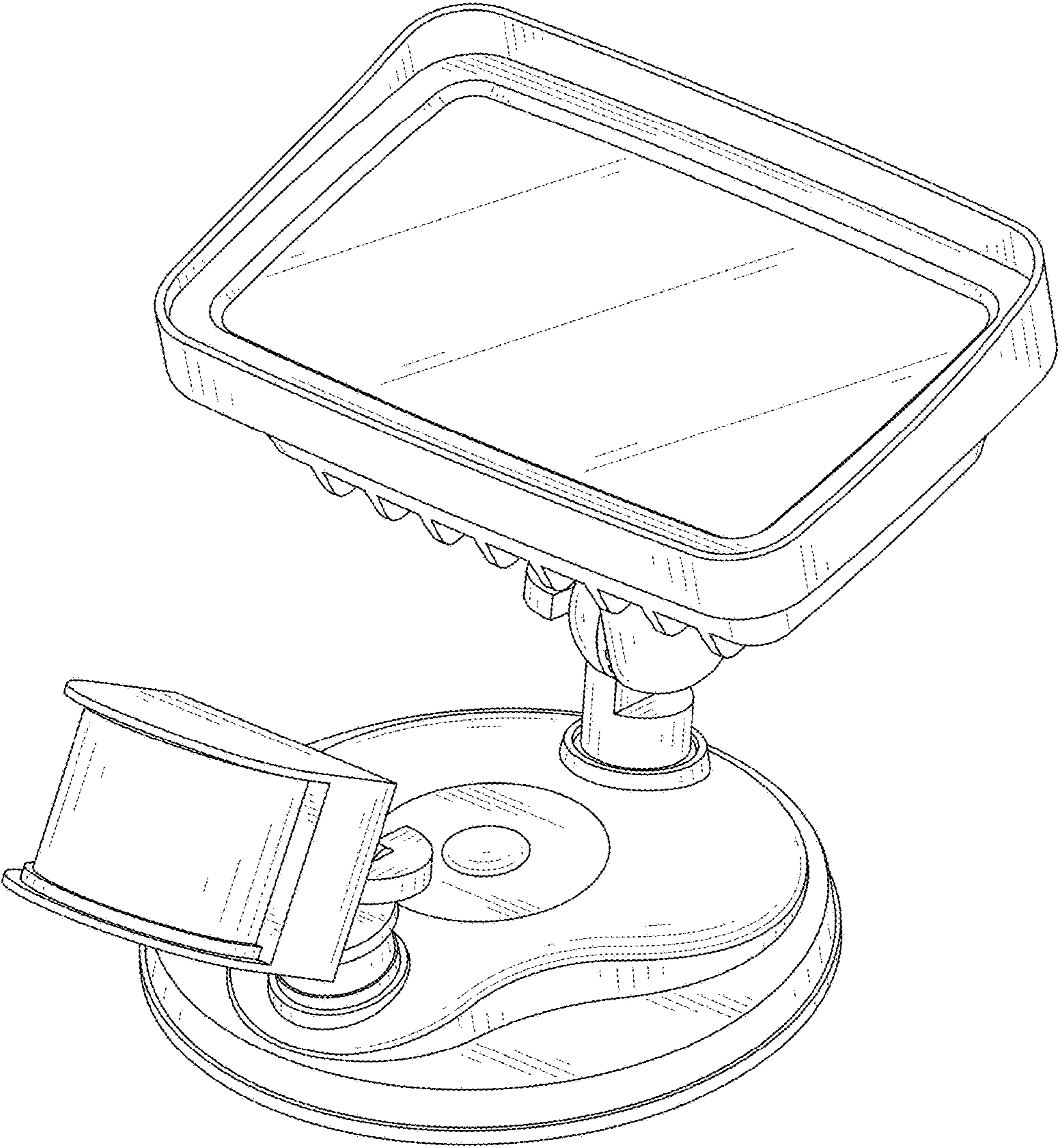


FIG. 1

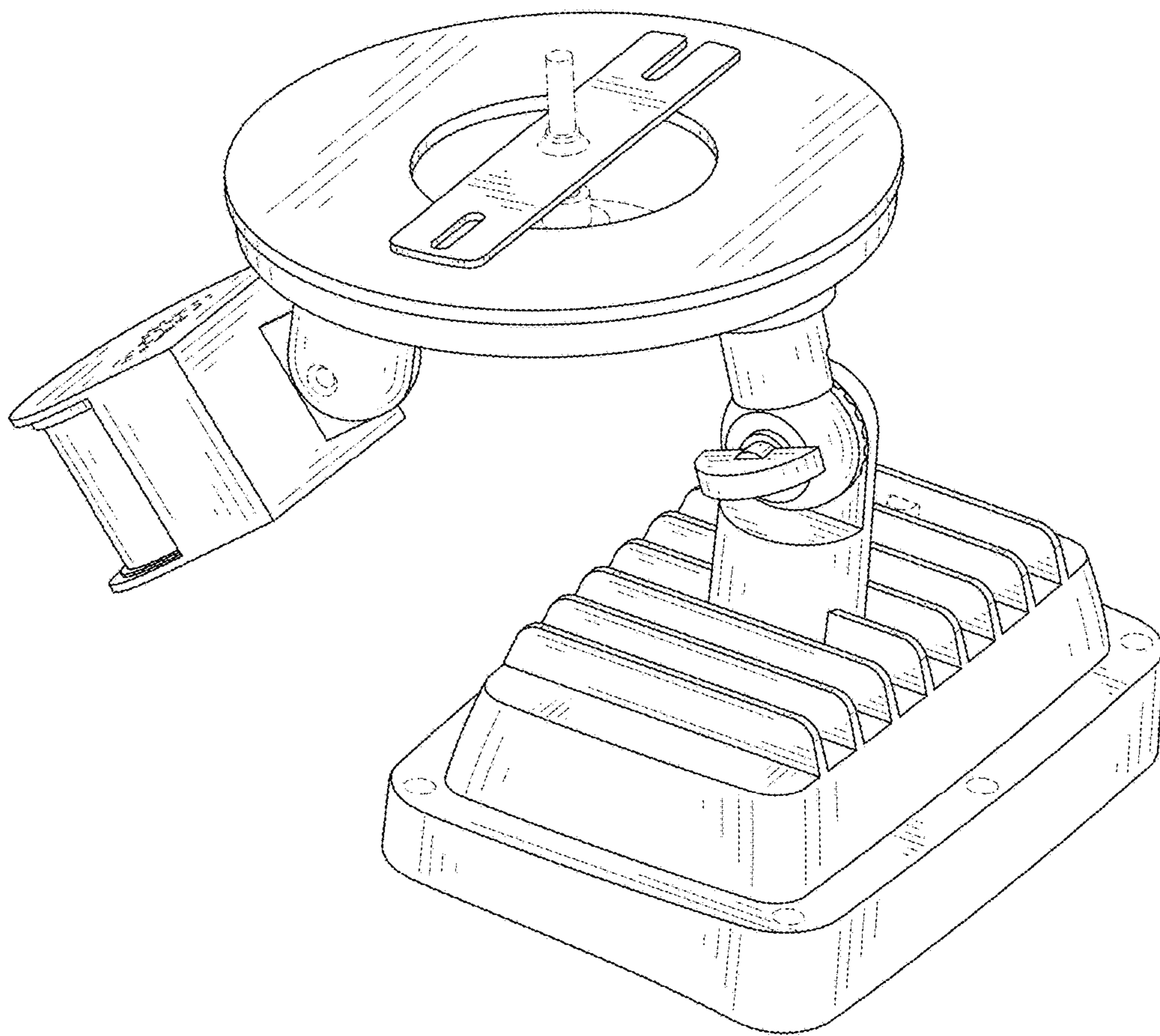


FIG. 2



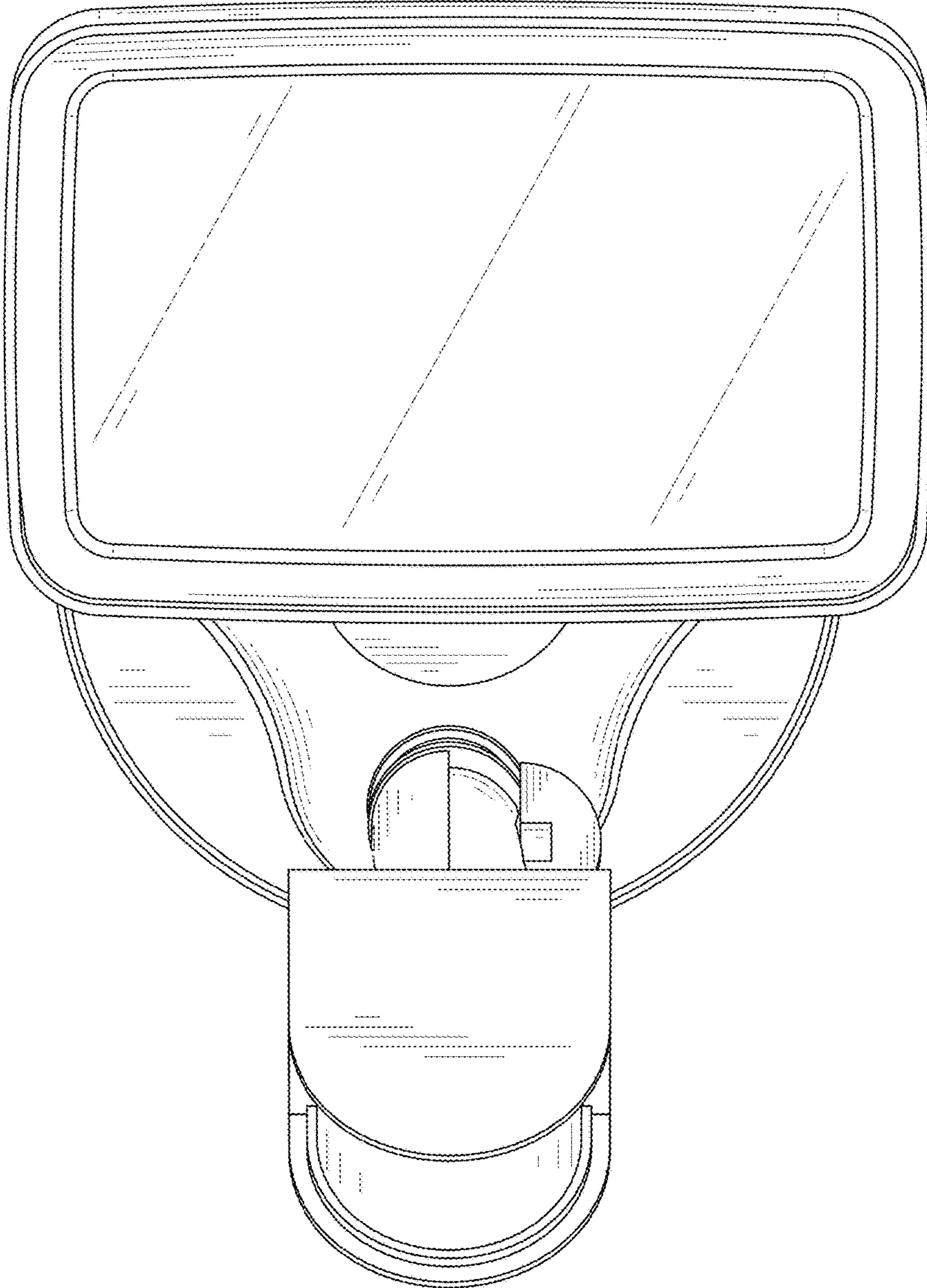


FIG. 3

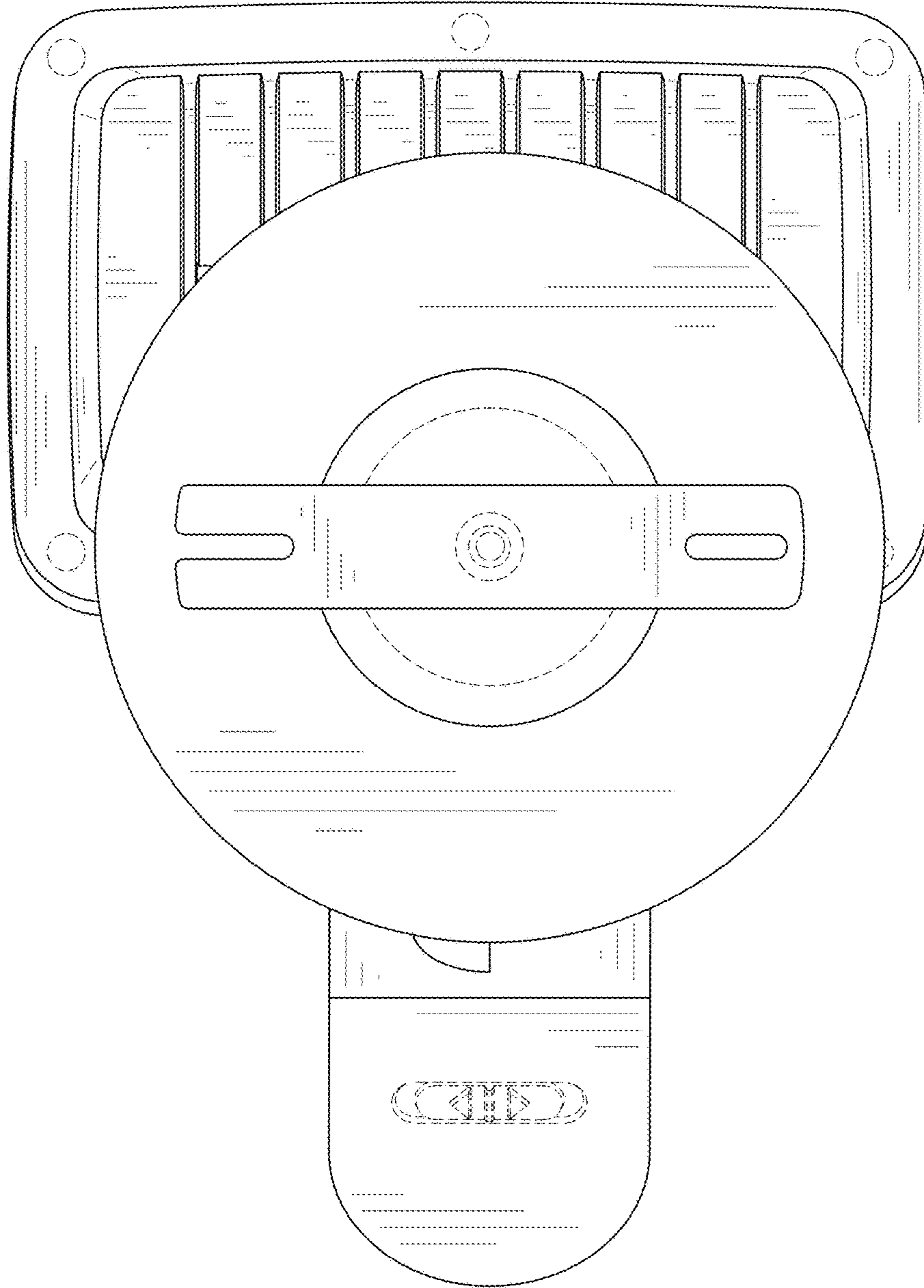


FIG. 4

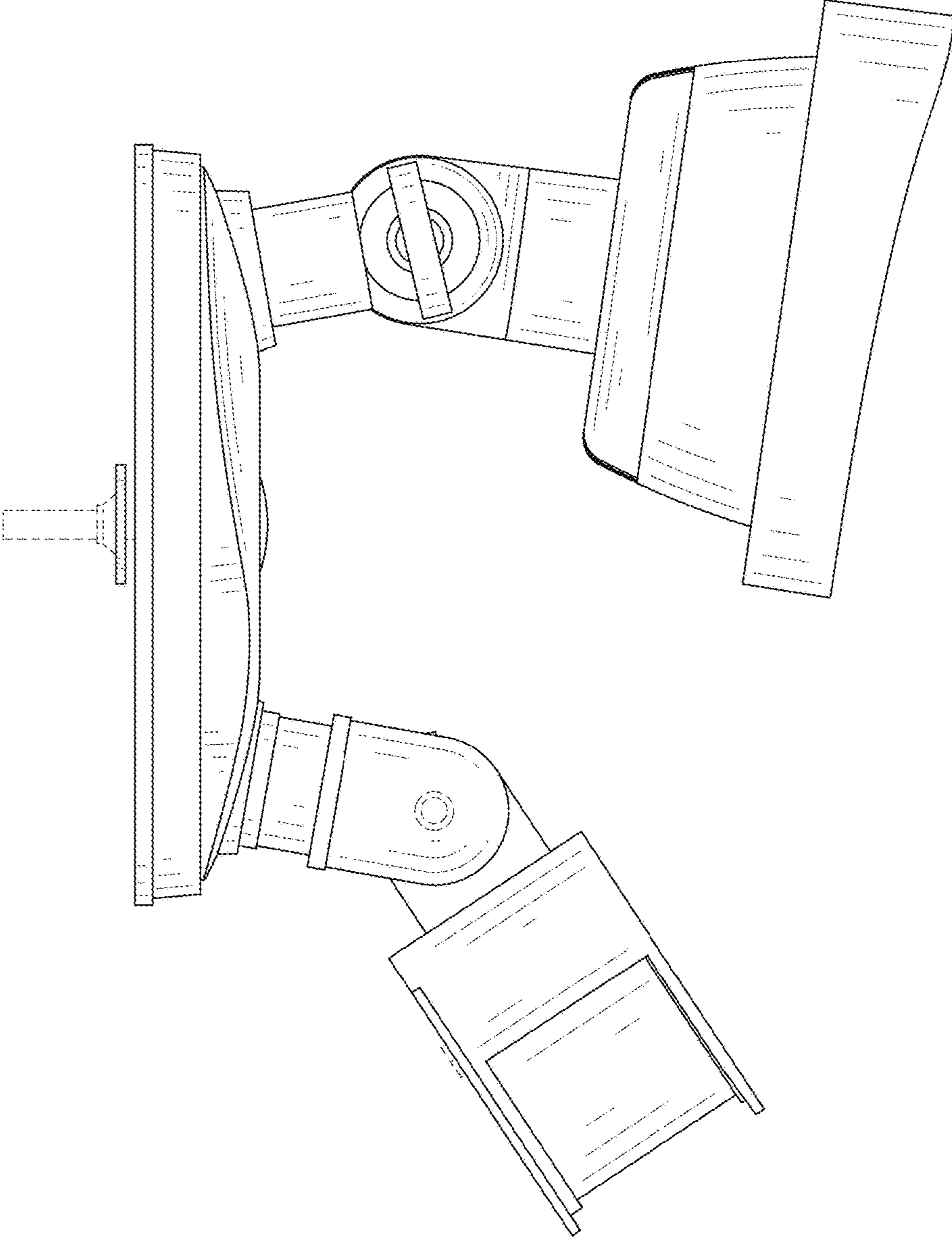


FIG. 5

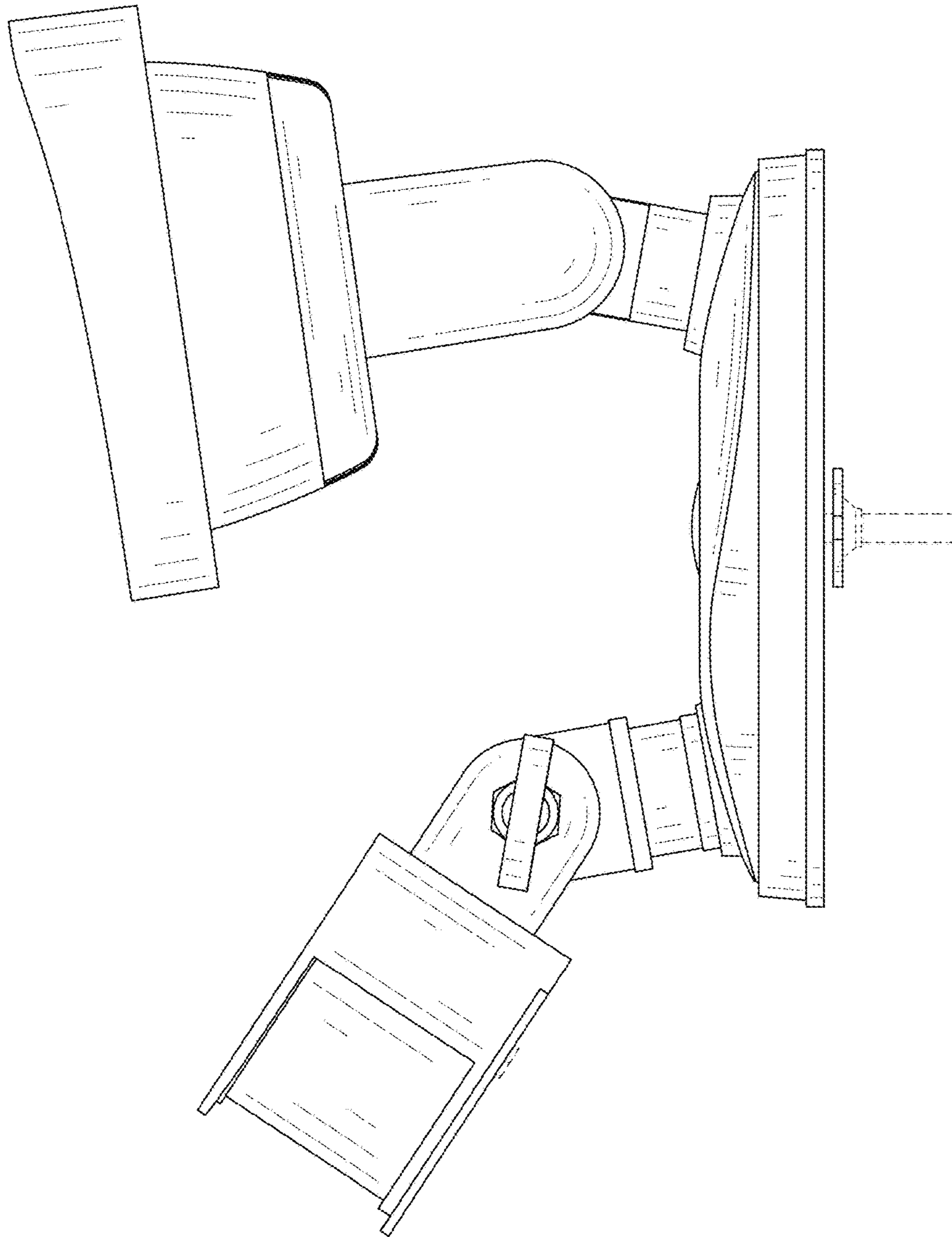


FIG. 6

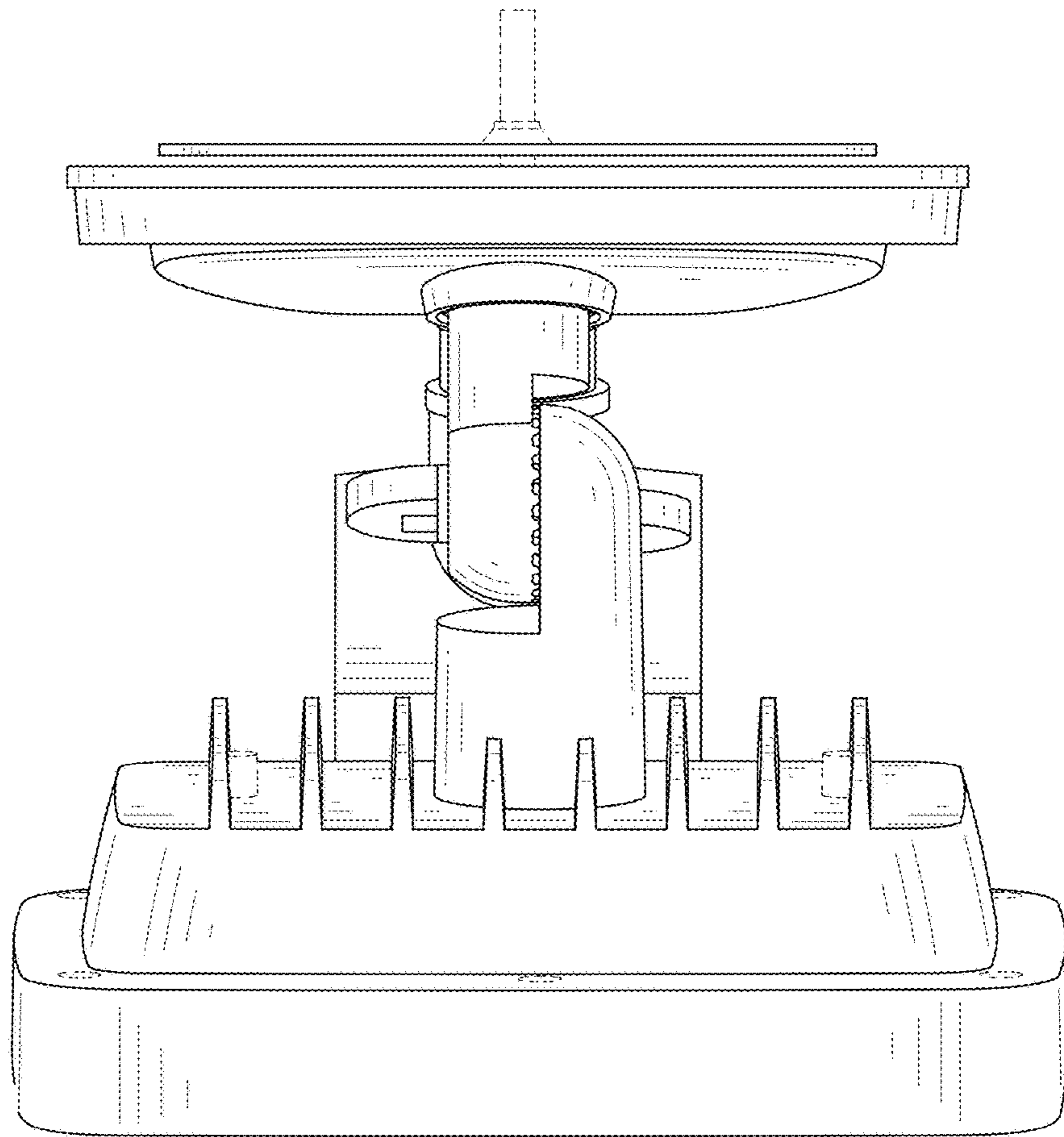


FIG. 7



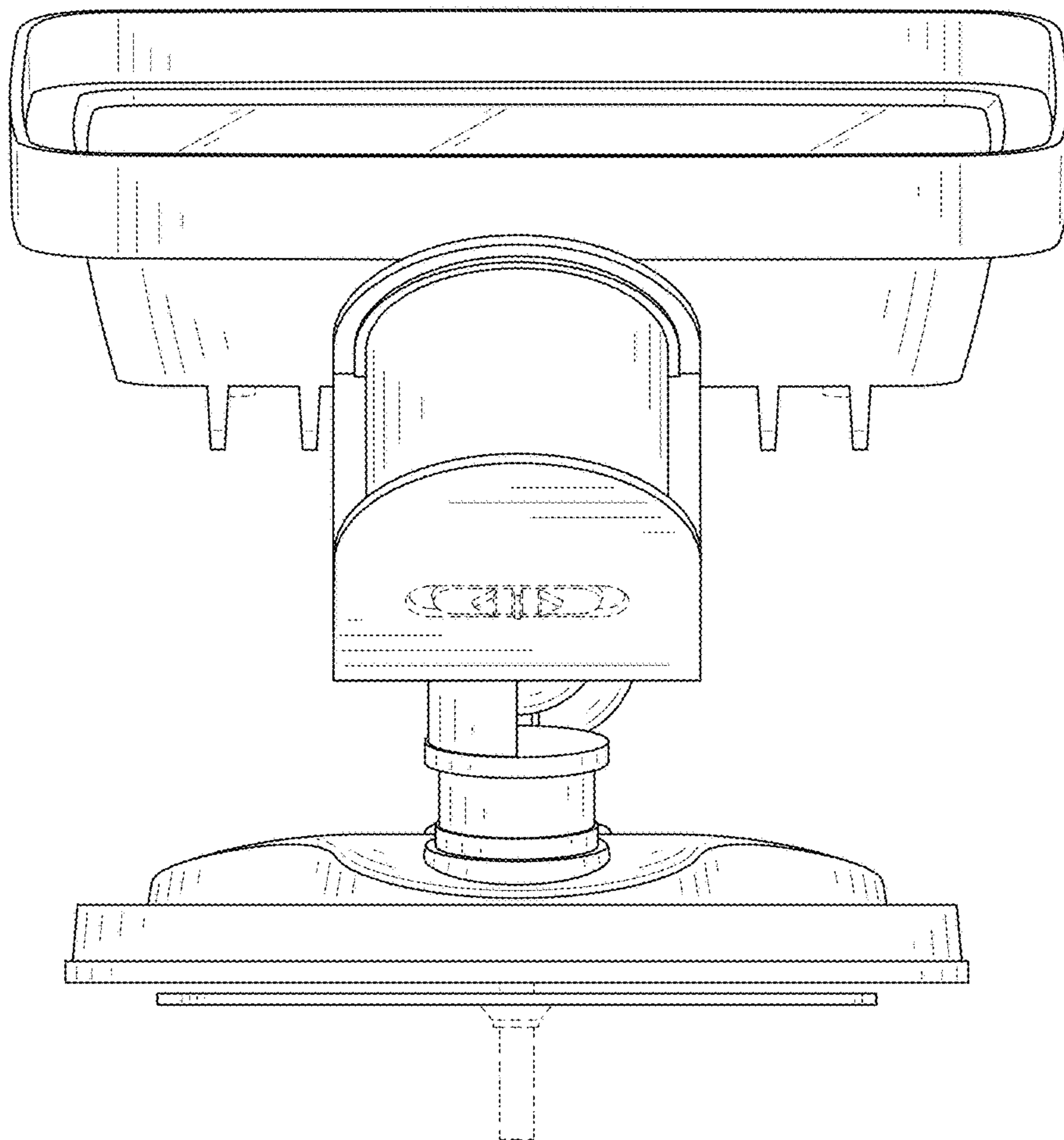


FIG. 8