



US00D862757S

(12) **United States Design Patent**  
**Wang et al.**

(10) **Patent No.:** **US D862,757 S**  
(45) **Date of Patent:** **\*\* Oct. 8, 2019**

(54) **LED MULTI-FUNCTIONAL SPOTLIGHT**

(71) Applicant: **Shenzhen Huadian Lighting Co., Ltd.**,  
Guangdong (CN)

(72) Inventors: **Jianhua Wang**, Hunan (CN); **Wanbang Luo**, Sichuan (CN)

(\*\*) Term: **15 Years**

(21) Appl. No.: **29/633,079**

(22) Filed: **Jan. 12, 2018**

(30) **Foreign Application Priority Data**

Oct. 13, 2017 (CN) ..... 2017 3 0488627

(51) **LOC (12) Cl.** ..... **26-03**

(52) **U.S. Cl.**  
USPC ..... **D26/63**

(58) **Field of Classification Search**  
USPC ..... D26/24, 60–66, 72, 76–78, 80, 81, 83,  
D26/85–87, 92, 102, 113, 138, 142  
CPC .... F21S 8/03; F21S 8/033; F21S 8/035; F21S  
8/036; F21S 8/037; F21S 8/043; F21S  
8/06; F21S 8/061; F21V 5/007; F21V  
13/02; F21V 17/107; F21V 21/30  
See application file for complete search history.

(56) **References Cited**

**U.S. PATENT DOCUMENTS**

D360,269 S *	7/1995	Lake	.....	D26/63
D425,232 S *	5/2000	Chang	.....	D26/63
D437,955 S *	2/2001	Tang	.....	D26/63
D571,033 S *	6/2008	Gordin	.....	D26/118
D613,440 S *	4/2010	Lindholm	.....	D26/63
D693,500 S *	11/2013	Souvay	.....	D26/44
D792,626 S *	7/2017	Casper	.....	D13/179
D802,197 S *	11/2017	Ding	.....	D26/72
D825,806 S *	8/2018	Jurik	.....	D26/63
2015/0260385 A1 *	9/2015	Brynjolfsson	.....	F21V 23/045 315/152
2017/0184261 A1 *	6/2017	Casper	.....	F21S 2/005

2017/0363272 A1 *	12/2017	Hsu	.....	F21V 29/70
2018/0306426 A1 *	10/2018	Patterson	.....	F21V 29/507
2019/0120445 A1 *	4/2019	Casper	.....	F21S 2/005

**OTHER PUBLICATIONS**

CP-SPL02 Series Mast Lamp, dated Jul. 8, 2018, [online], [site visited Mar. 1, 2019]. Available from Internet, <URL:http://www.en.pccooler.com/leddetail118.html> (Year: 2018).\*

Jual Lampu Sorot Spotlight Type BAT51 Explosion Proof, dated Jun. 24, 2018, [online], [site visited Mar. 1, 2019]. Available from Internet, <URL: http://www.harvestenergysolutions.com/products/harvest\_manufacturing/harvest\_clips> (Year: 2018).\*

\* cited by examiner

*Primary Examiner* — Angela J Lee

*Assistant Examiner* — Shawn T Gingrich

(74) *Attorney, Agent, or Firm* — Prakash Nama; Global IP Services, PLLC

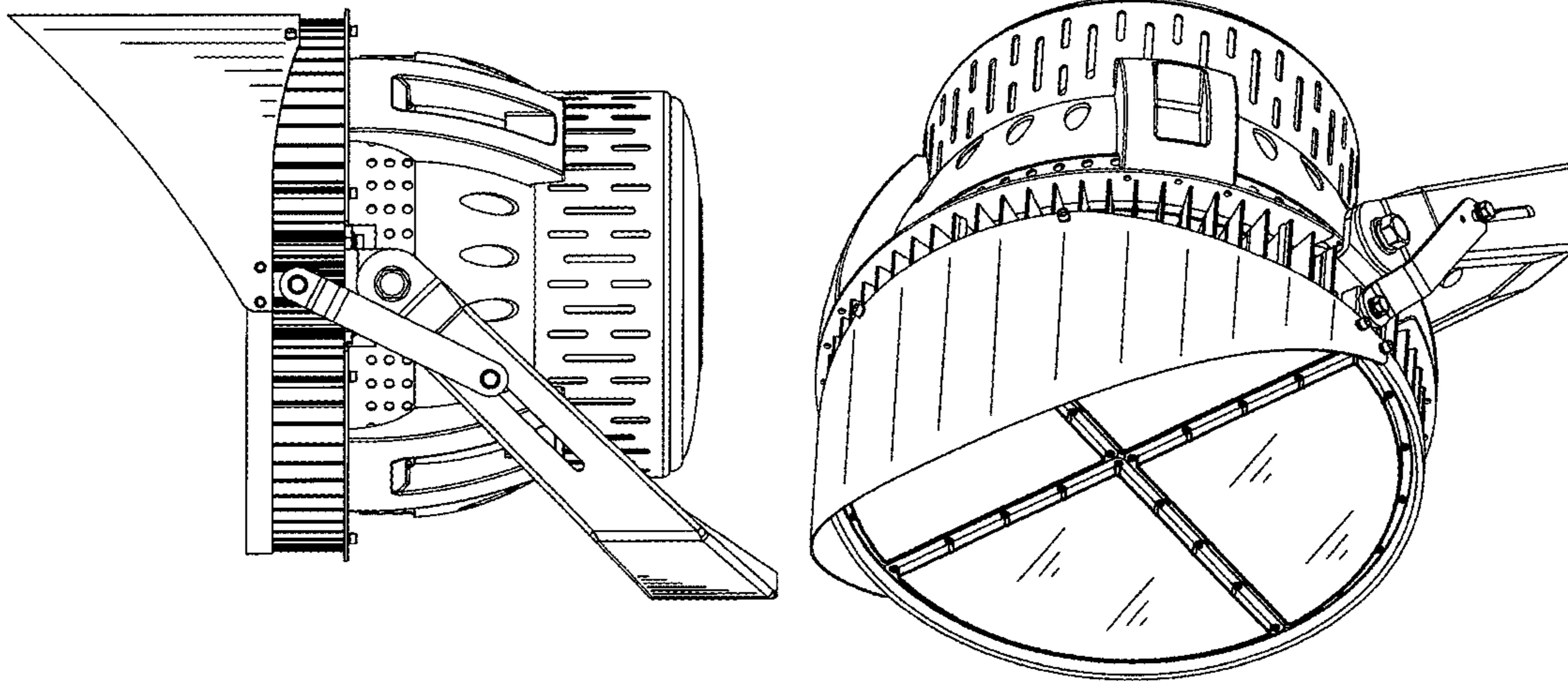
(57) **CLAIM**

The ornamental design for a LED multi-functional spotlight, as shown and described.

**DESCRIPTION**

FIG. 1 is a front elevational view of a LED multi-functional spotlight showing our new design; FIG. 2 is a rear elevational view thereof; FIG. 3 is a left side view thereof; FIG. 4 is a right side view thereof; FIG. 5 is a top plan view thereof; FIG. 6 is a bottom plan view thereof; FIG. 7 is a perspective view thereof; and, FIG. 8 is another perspective view thereof. The broken lines in the drawings illustrate portions of the LED multi-functional spotlight that form no part of the claimed design.

**1 Claim, 8 Drawing Sheets**



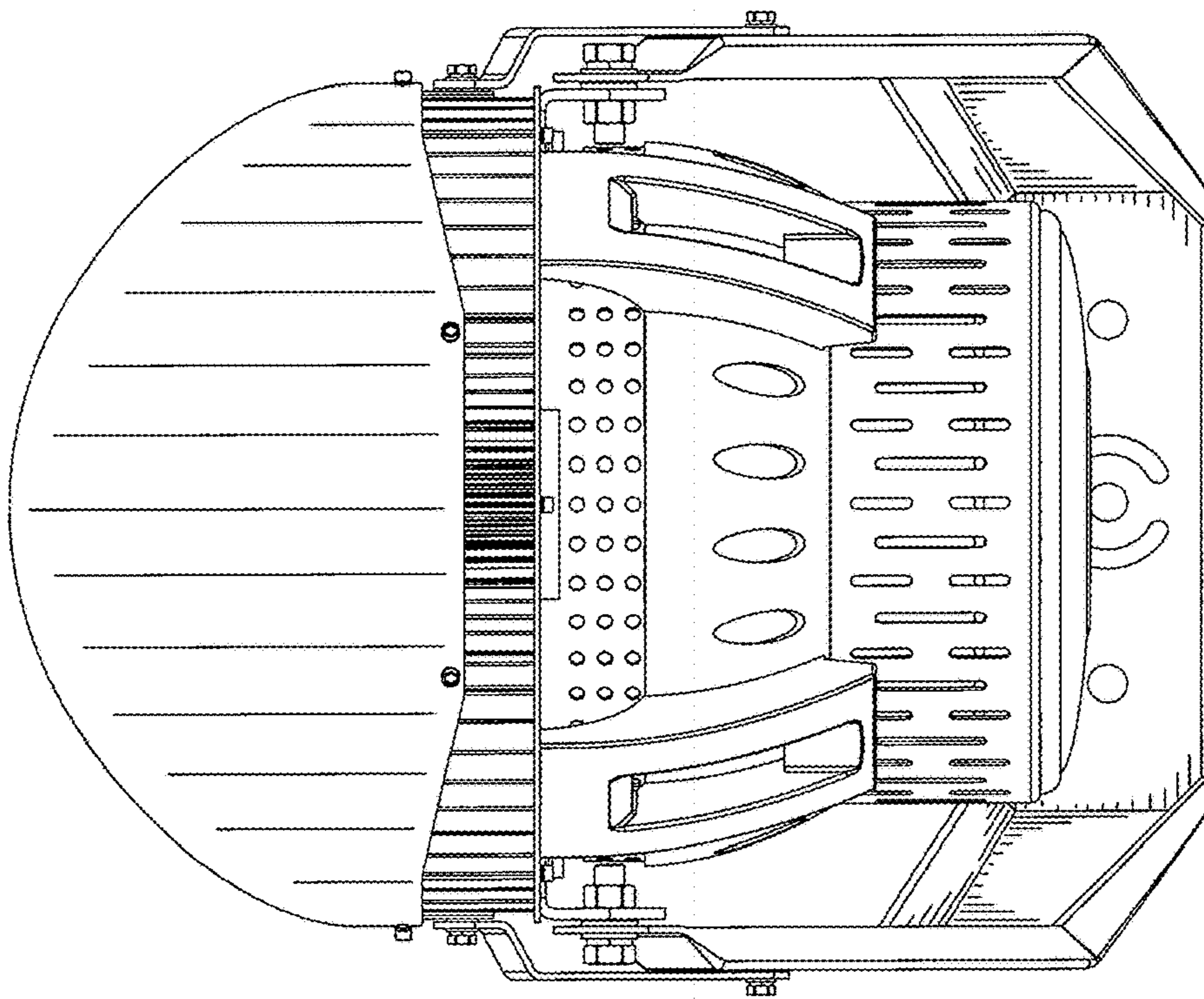


FIG. 1

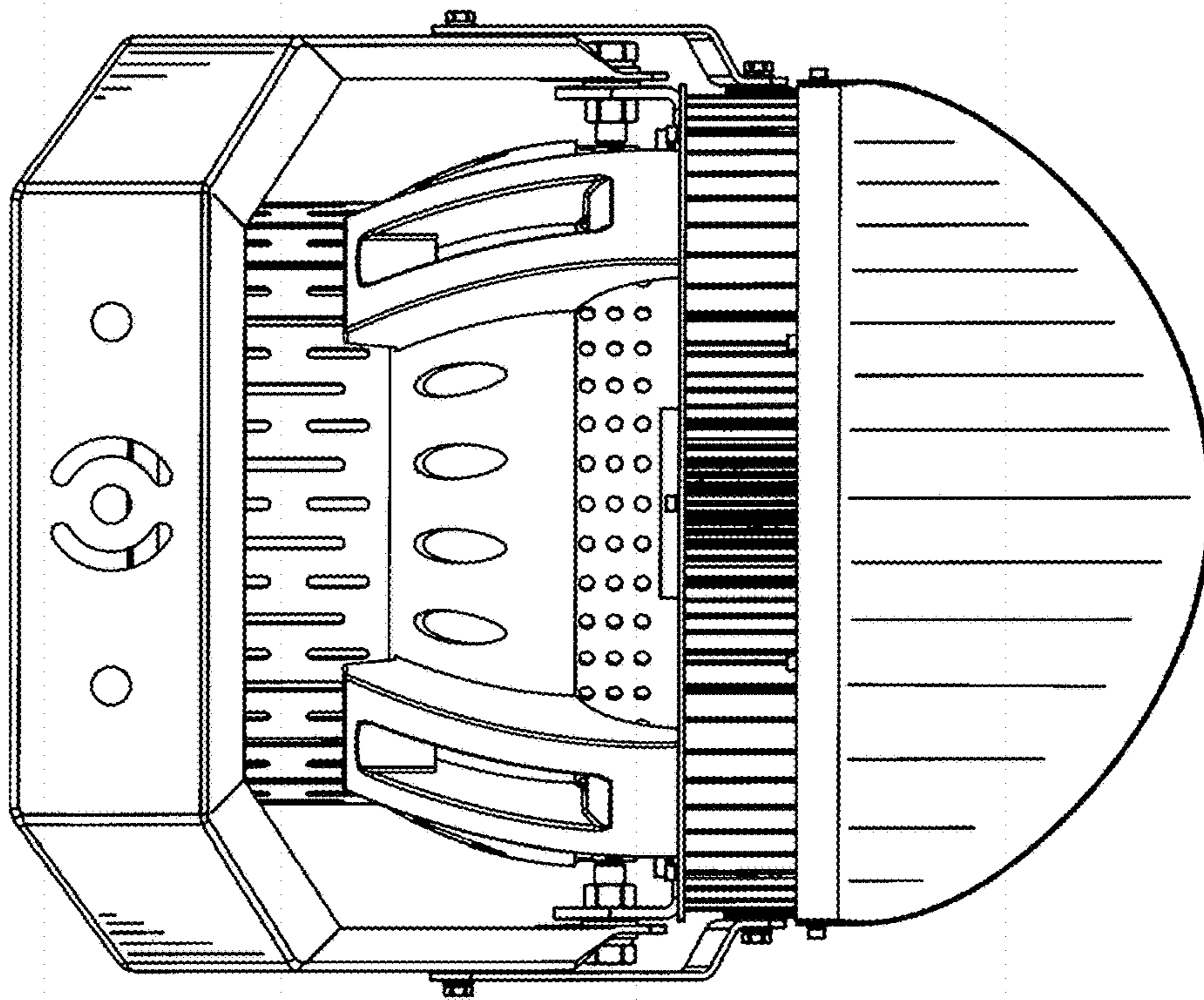


FIG. 2

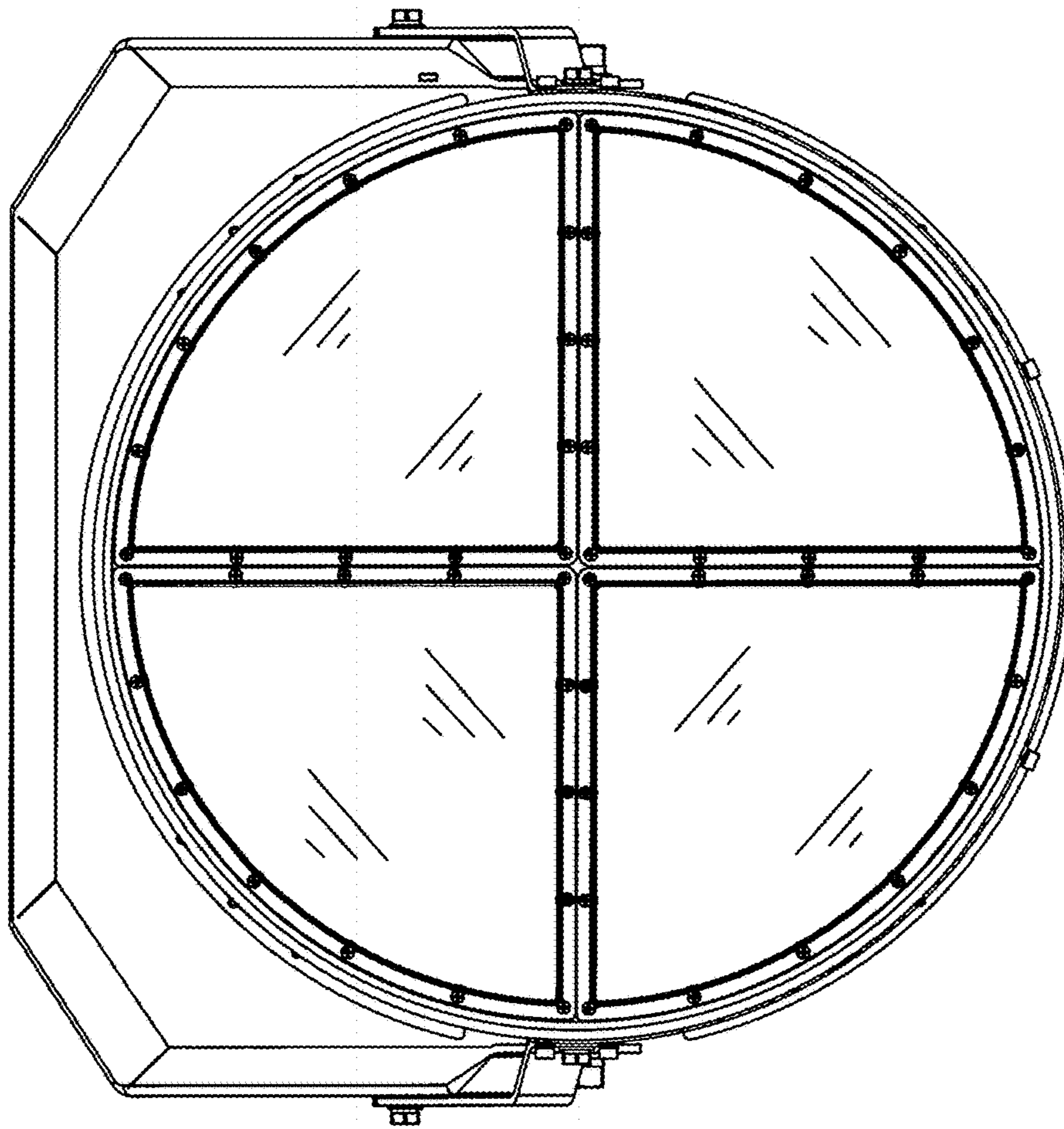


FIG. 3

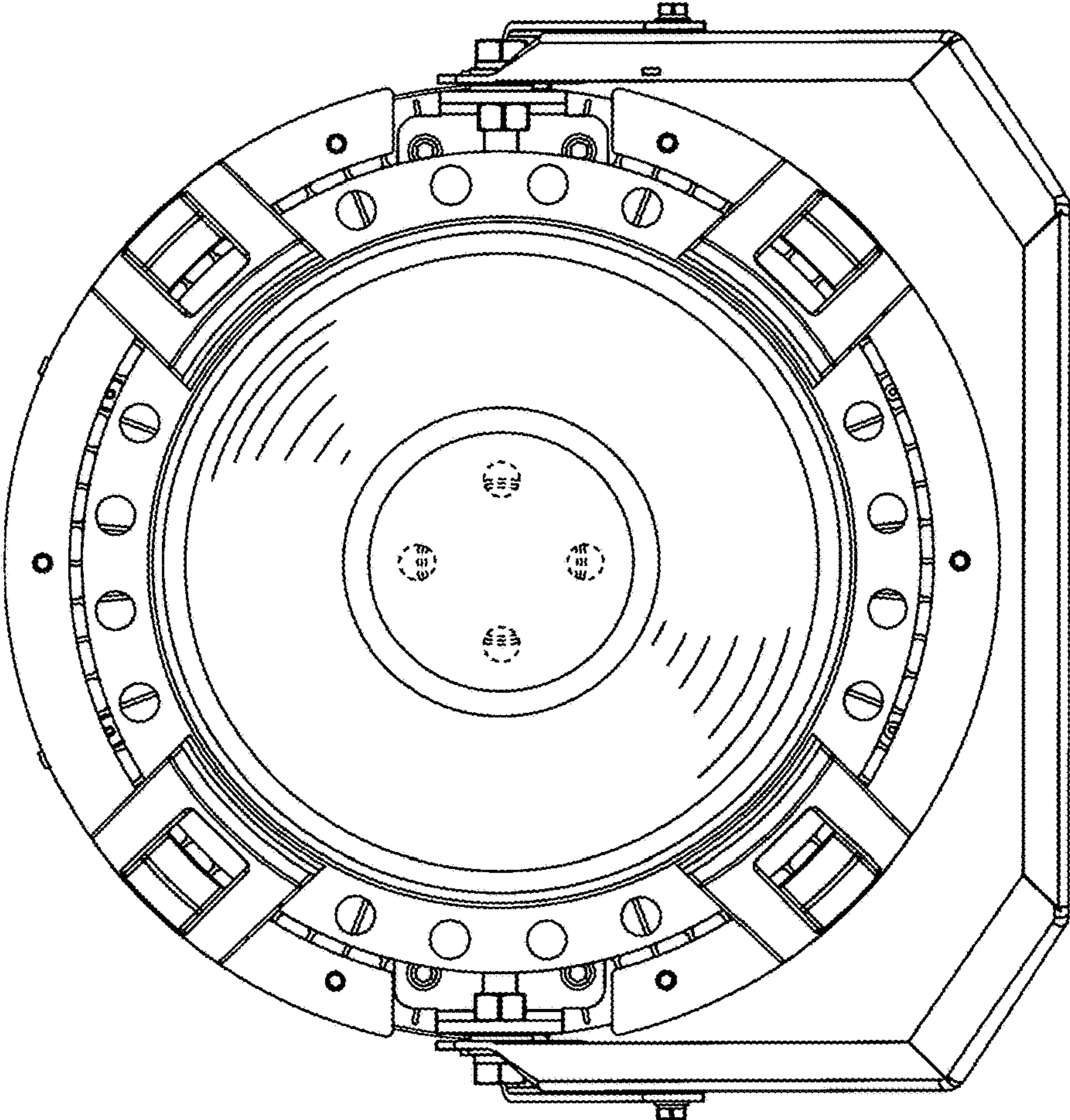


FIG. 4

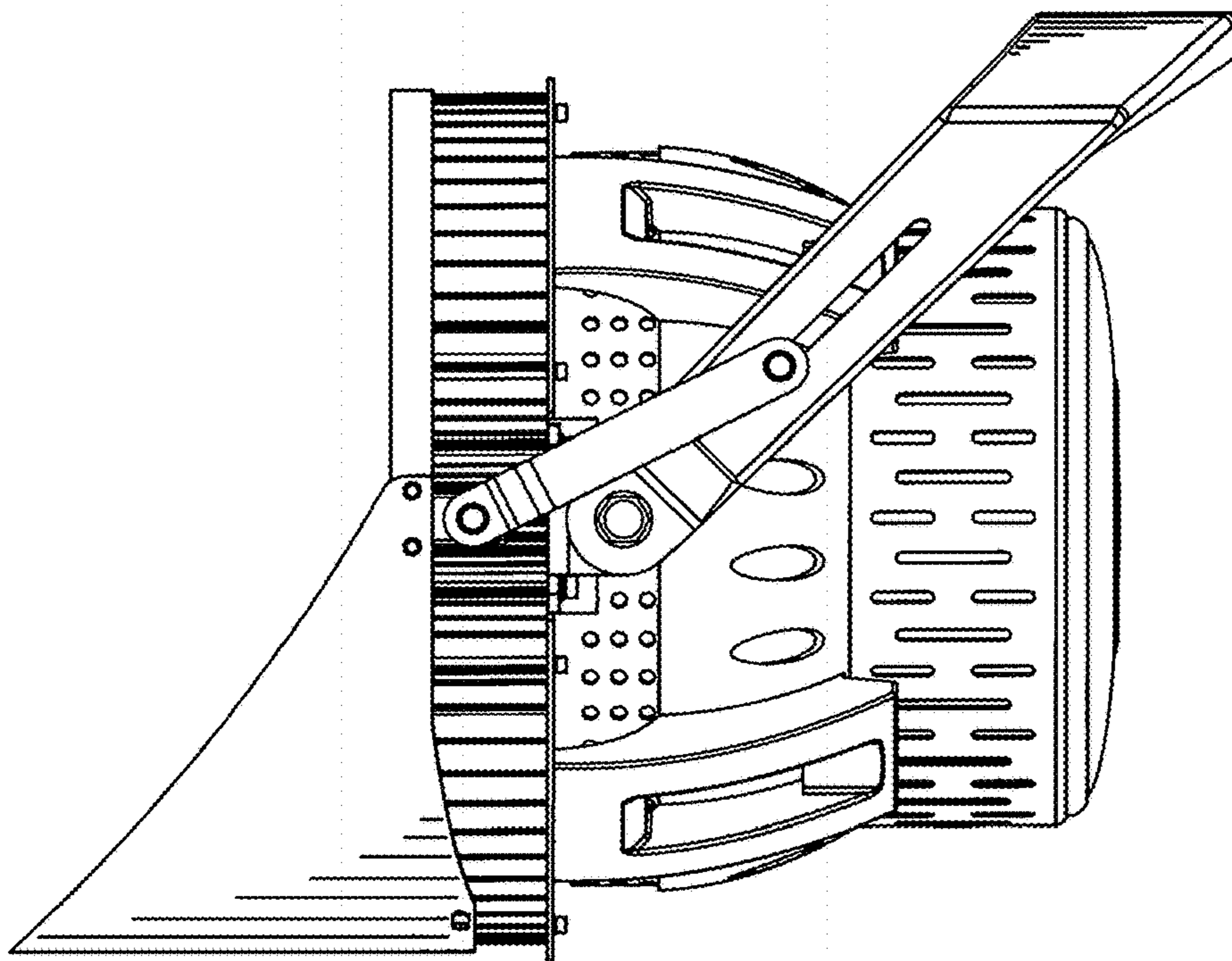


FIG. 5

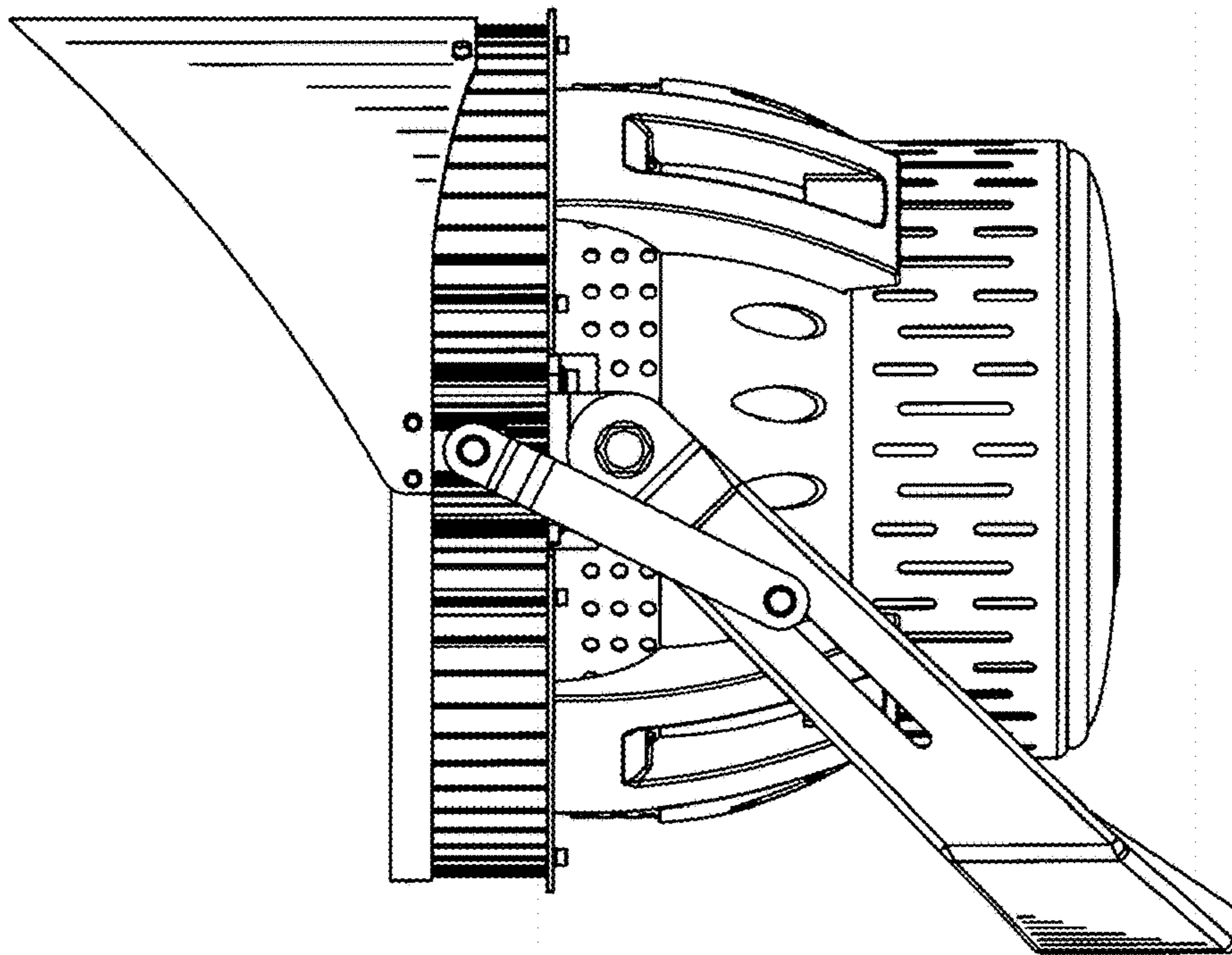


FIG. 6

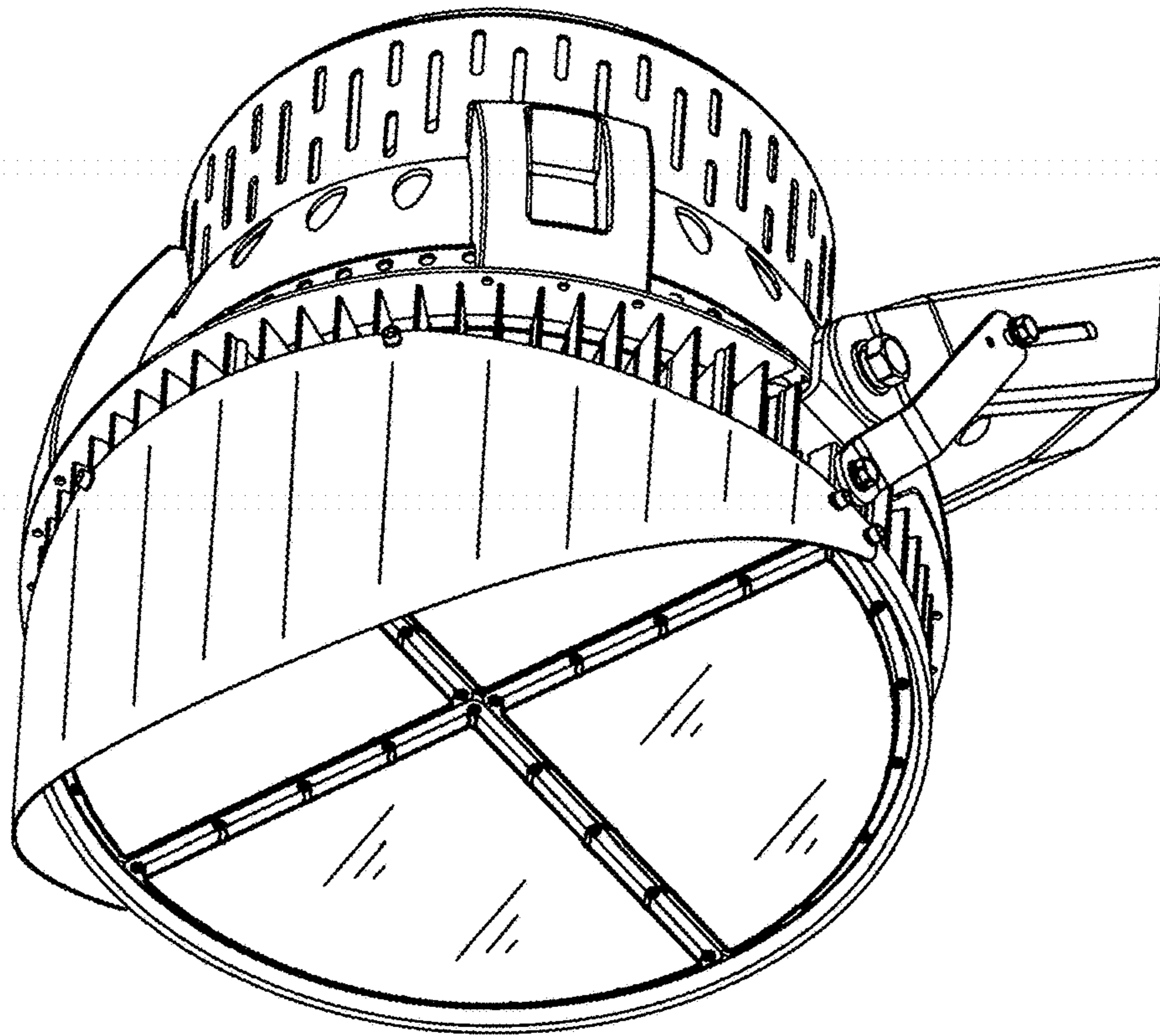


FIG. 7



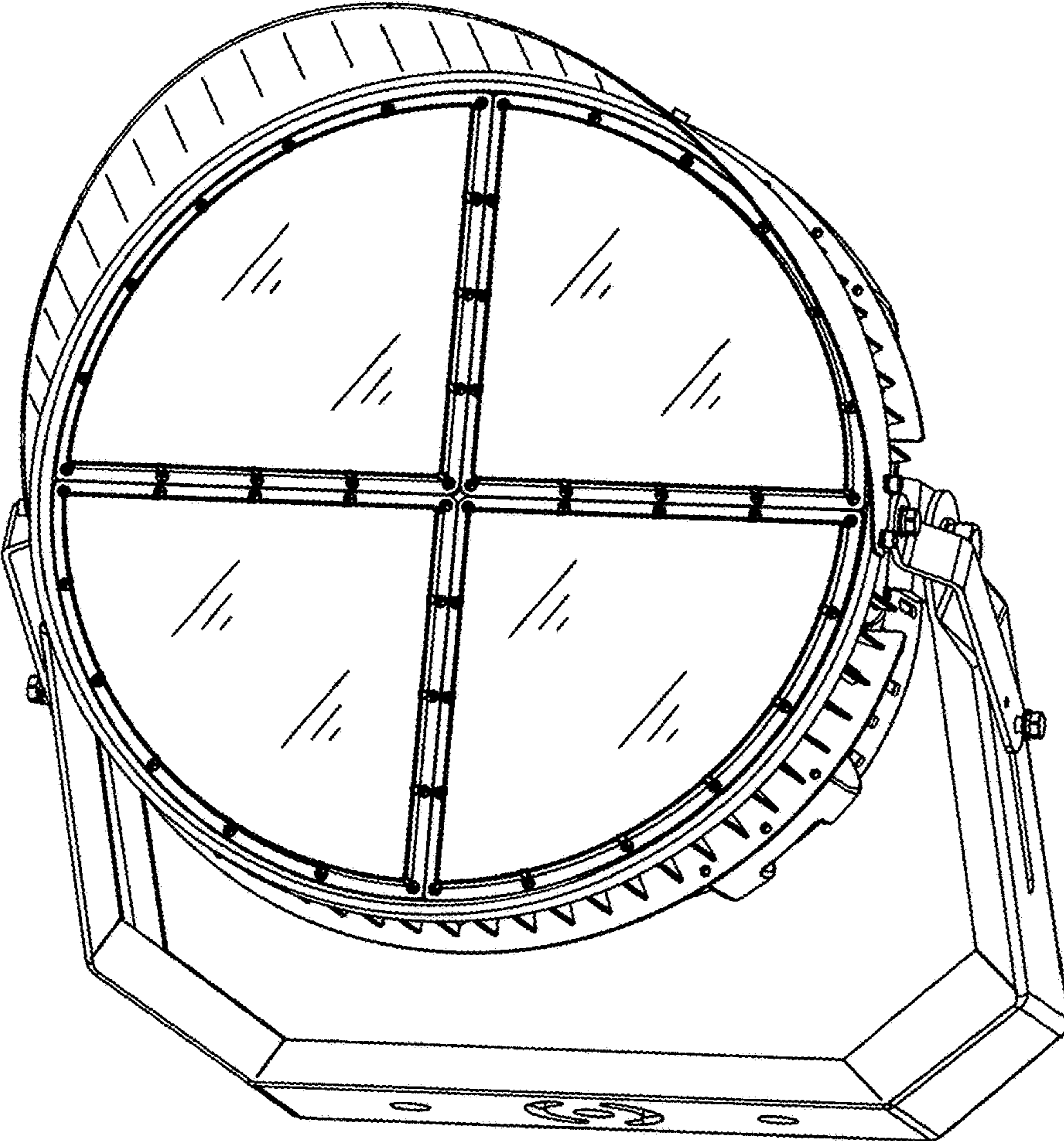


FIG. 8