



US00D862756S

(12) **United States Design Patent** (10) **Patent No.:** **US D862,756 S**
Yang (45) **Date of Patent:** **** Oct. 8, 2019**

(54) **CEILING FAN LIGHT**
(71) Applicant: **AIR COOL INDUSTRIAL CO., LTD.**, Taichung (TW)
(72) Inventor: **Helen Yang**, Rowland Heights, CA (US)
(73) Assignee: **AIR COOL INDUSTRIAL CO., LTD.**, Taichung (TW)
(**) Term: **15 Years**
(21) Appl. No.: **29/645,750**
(22) Filed: **Apr. 28, 2018**
(51) **LOC (12) Cl.** **26-05**
(52) **U.S. Cl.**
USPC **D26/59**
(58) **Field of Classification Search**
USPC D23/328, 370, 372, 377, 381, 382, 385, D23/411; D26/24, 51, 59, 62, 63, 72, 76, D26/77, 78, 88, 128-138
CPC F24F 13/078; F04D 25/088; E04B 9/02
See application file for complete search history.

D551,795 S * 9/2007 Compton D26/88
D553,785 S * 10/2007 Dye D26/88
D565,226 S * 3/2008 Gou D26/40
D570,022 S * 5/2008 Ertze D26/59
D626,212 S * 10/2010 Shurtleff D23/411
D699,339 S * 2/2014 Wang D23/385
D707,343 S * 6/2014 Wang D23/411

* cited by examiner

Primary Examiner — Sheryl Lane
Assistant Examiner — Calvin E Vansant
(74) *Attorney, Agent, or Firm* — Pai Patent & Trademark Law Firm; Chao-Chang David Pai

(57) **CLAIM**

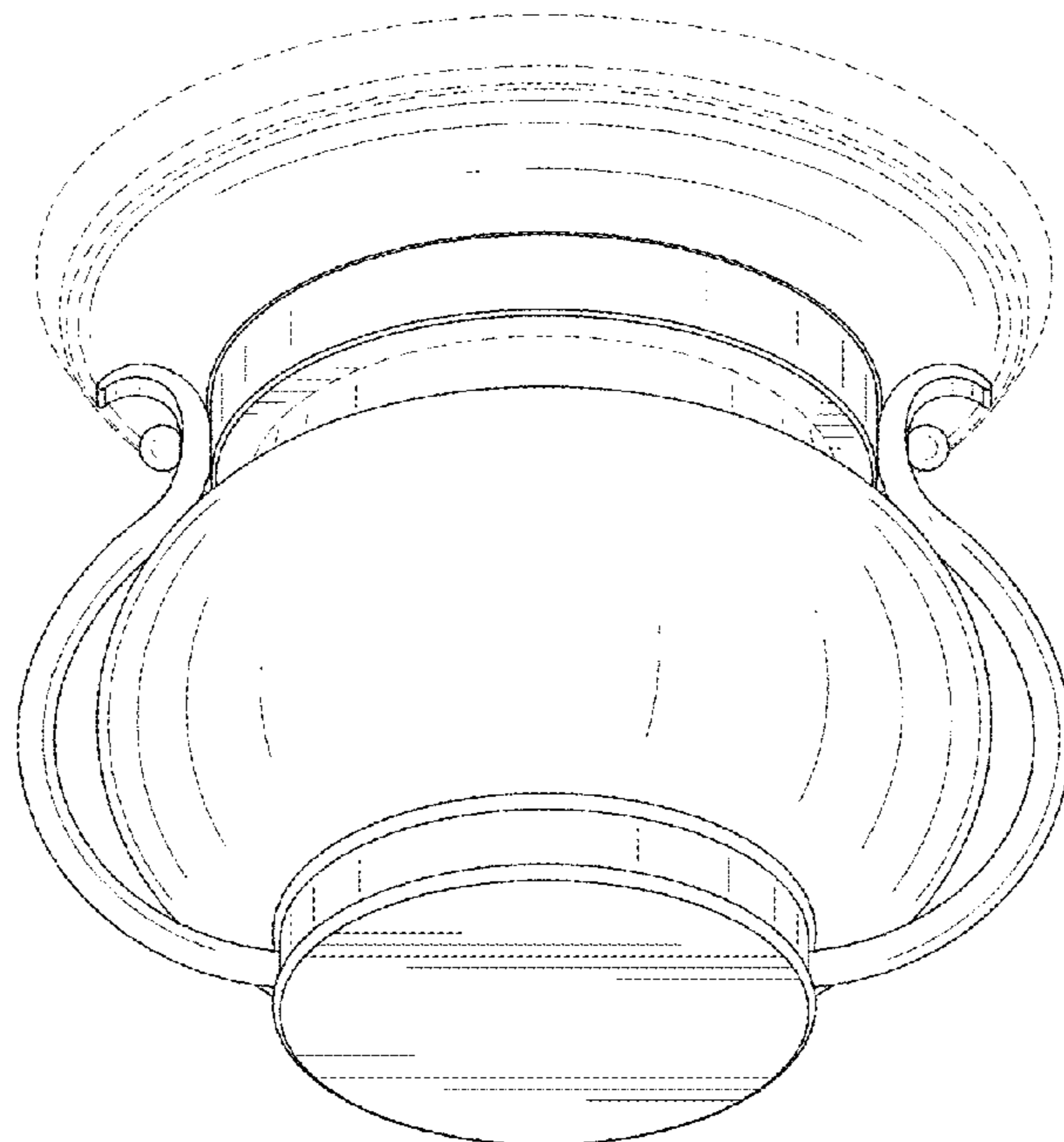
The ornamental design for a ceiling fan light, as shown and described.

DESCRIPTION

FIG. 1 is a front top perspective view of a ceiling fan light showing my new design;
FIG. 2 is a front elevational view thereof;
FIG. 3 is a rear elevational view thereof;
FIG. 4 is a left side elevational view thereof;
FIG. 5 is a right side elevational view thereof;
FIG. 6 is a top plan view thereof;
FIG. 7 is a bottom plan view thereof;
FIG. 8 is a front bottom perspective view thereof; and,
FIG. 9 is a front bottom perspective view of the ceiling fan light in accordance with my design, shown with an environment structure.
The broken lines in the drawings depict portions of the ceiling fan light that form no part of the claimed design.

1 Claim, 7 Drawing Sheets

(56) **References Cited**
U.S. PATENT DOCUMENTS
D280,239 S * 8/1985 Burket D26/132
D280,240 S * 8/1985 Burket D26/132
D449,682 S * 10/2001 Gajewski D23/377
D457,978 S * 5/2002 Cheong D26/67
D478,184 S * 8/2003 DiPasquale D26/67
D530,811 S * 10/2006 Ertze D23/411
D546,494 S * 7/2007 Pickett D26/128



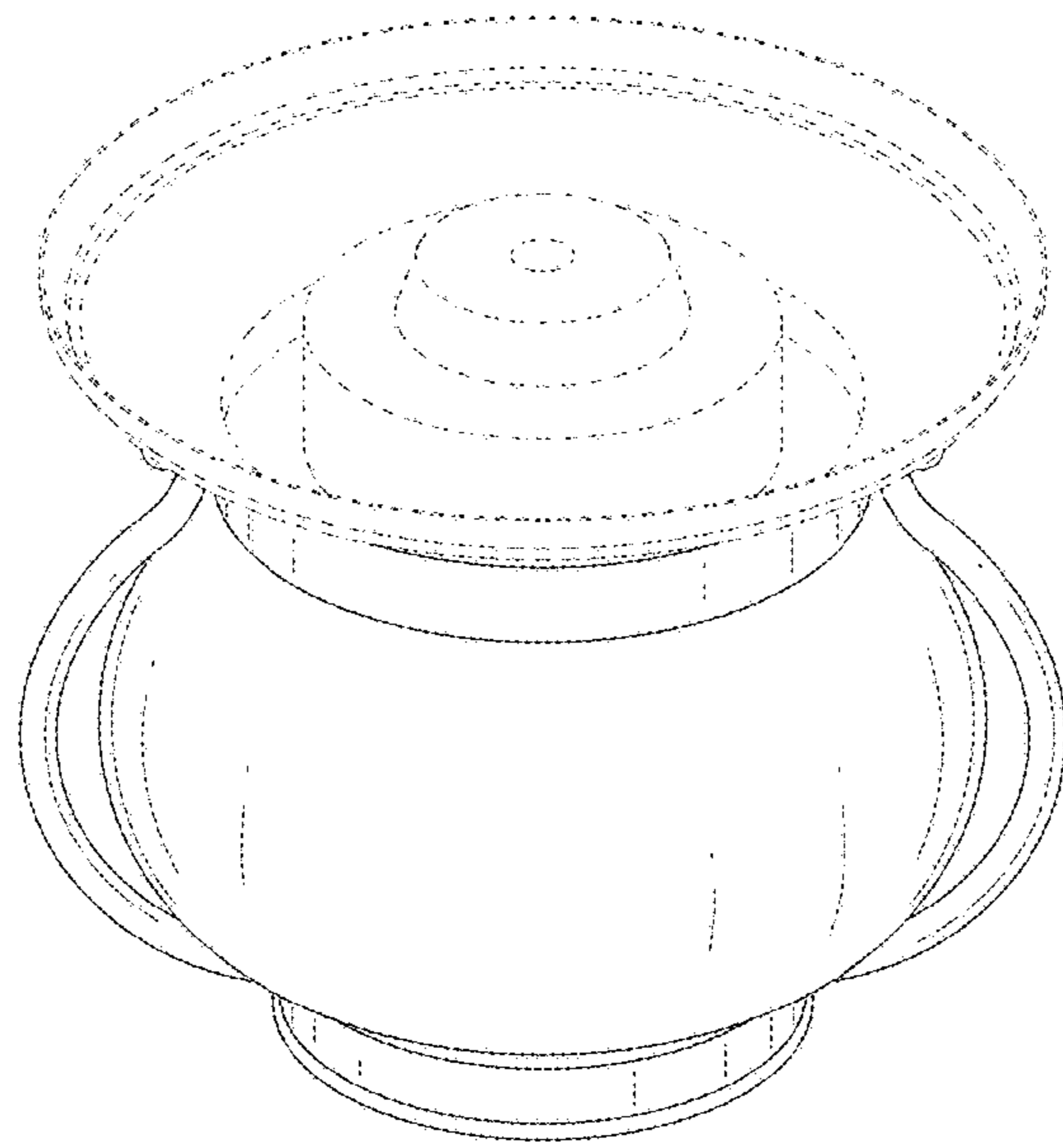


FIG. 1

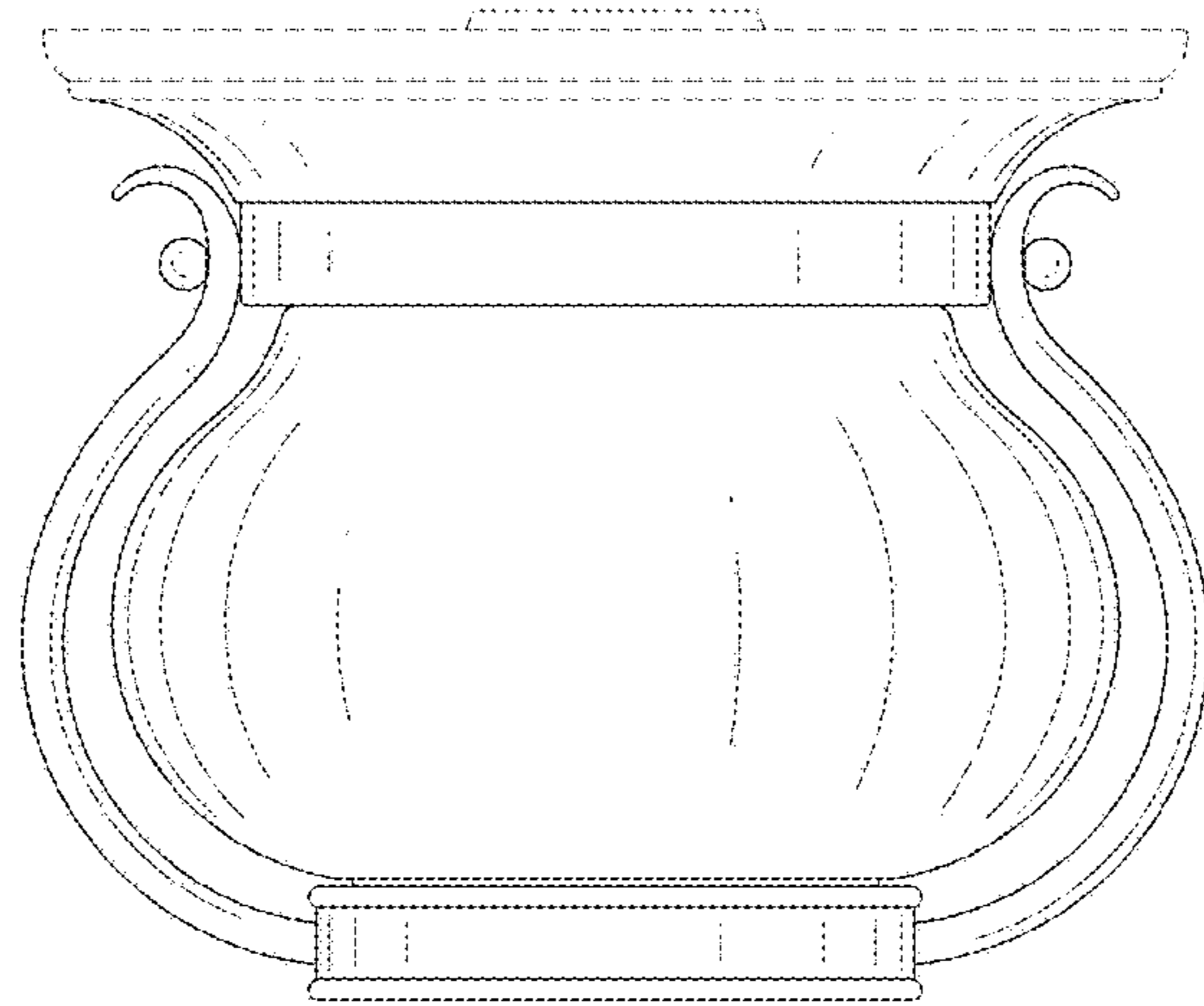


FIG. 2

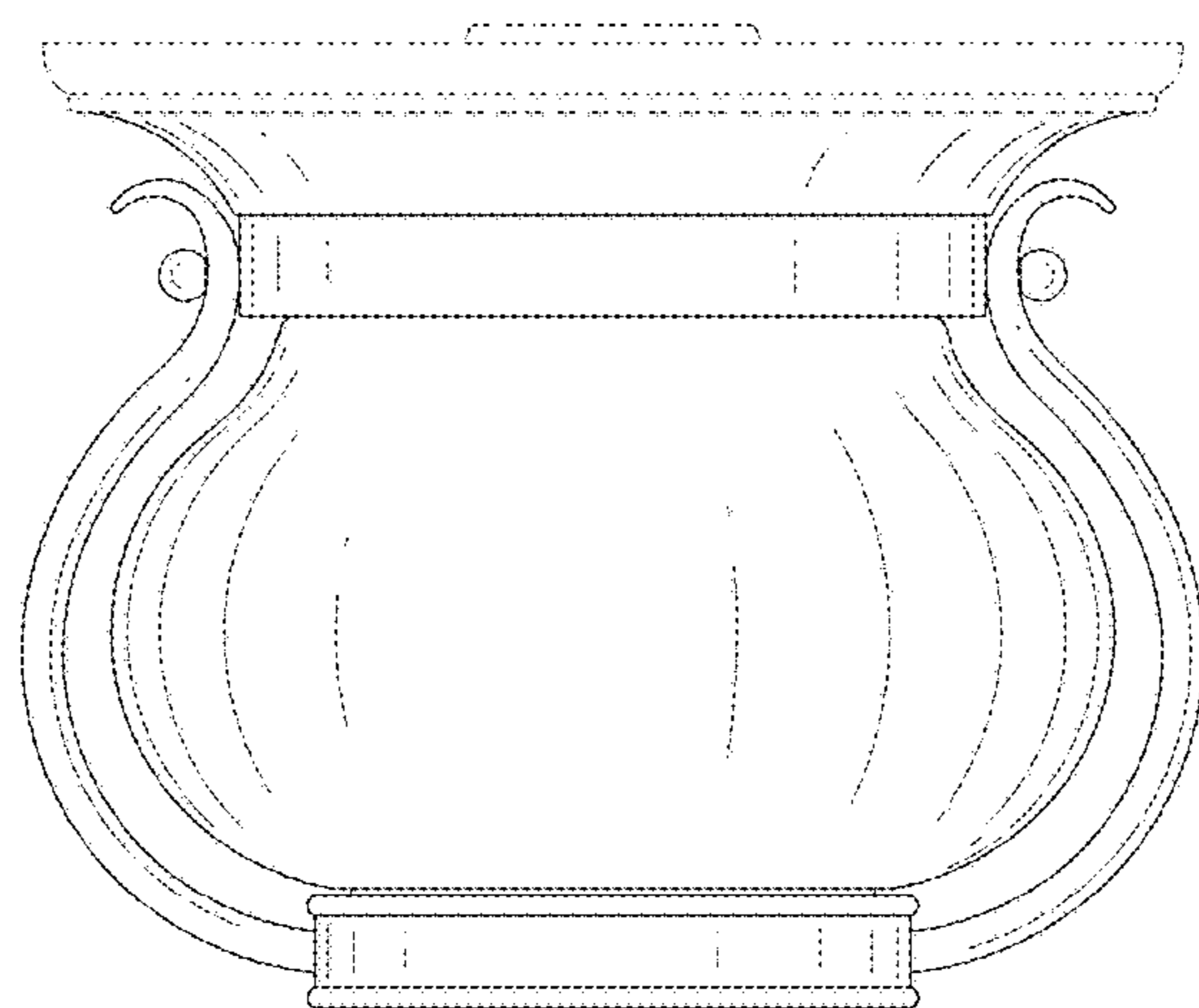


FIG. 3

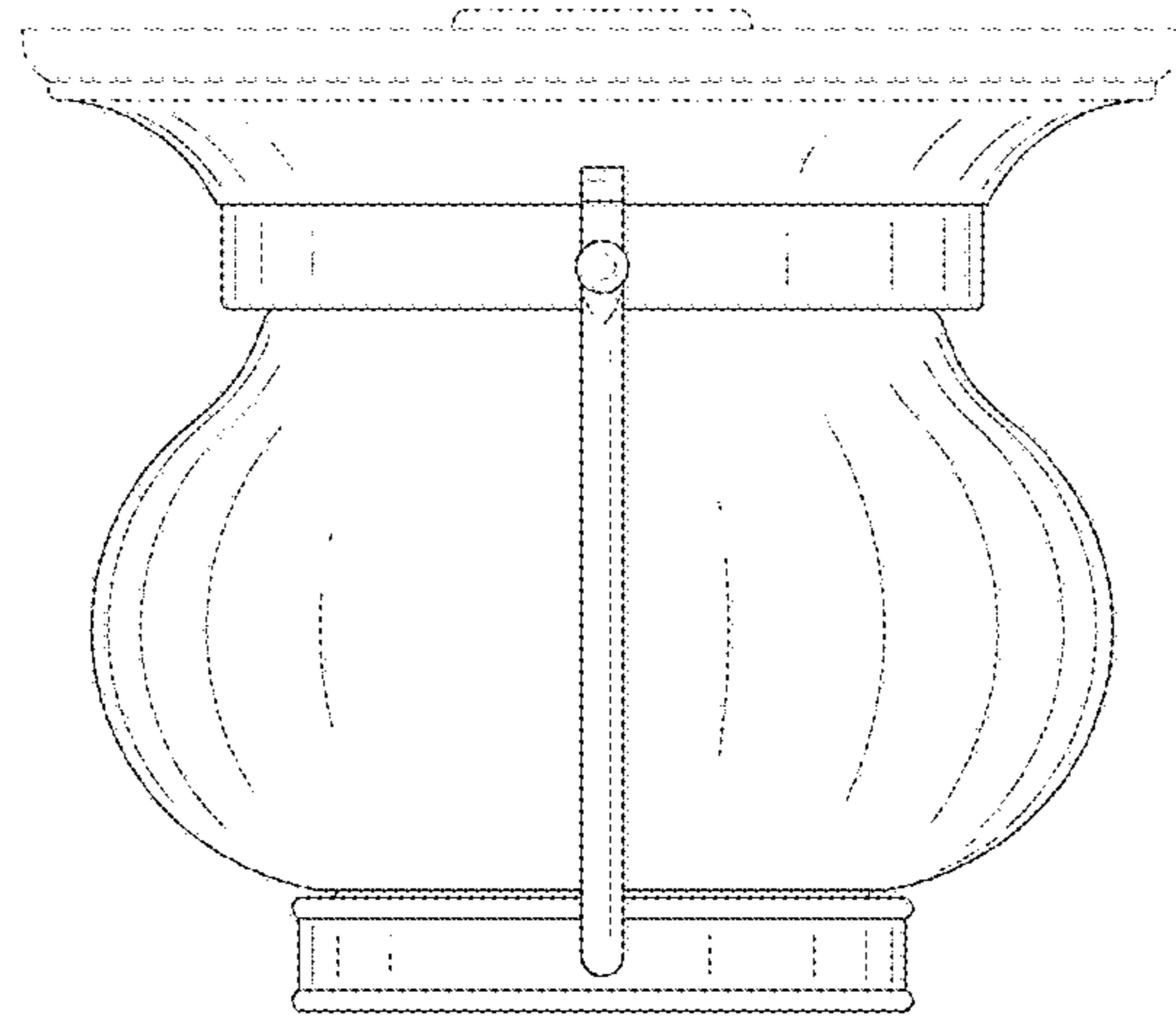


FIG. 4

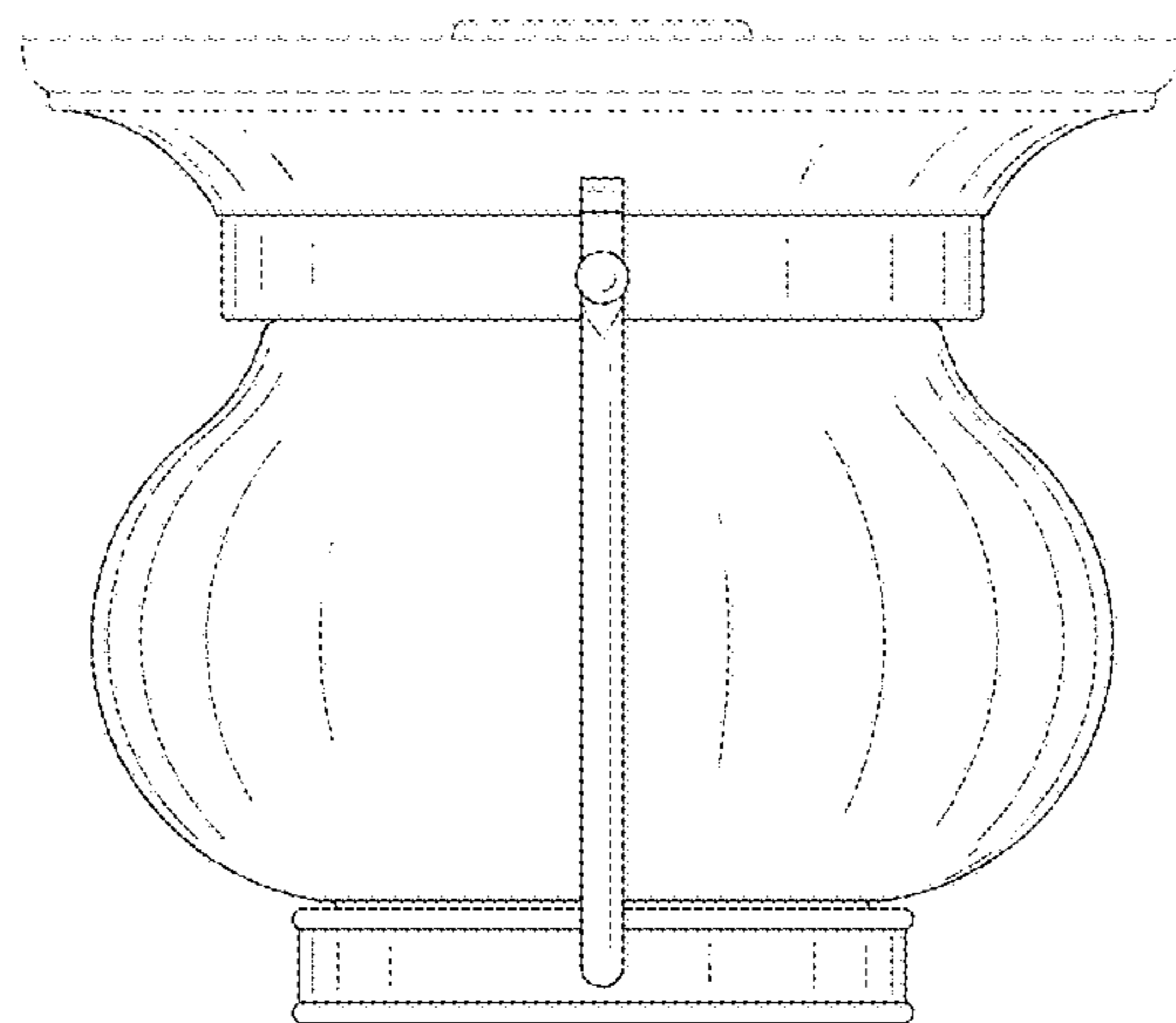


FIG. 5

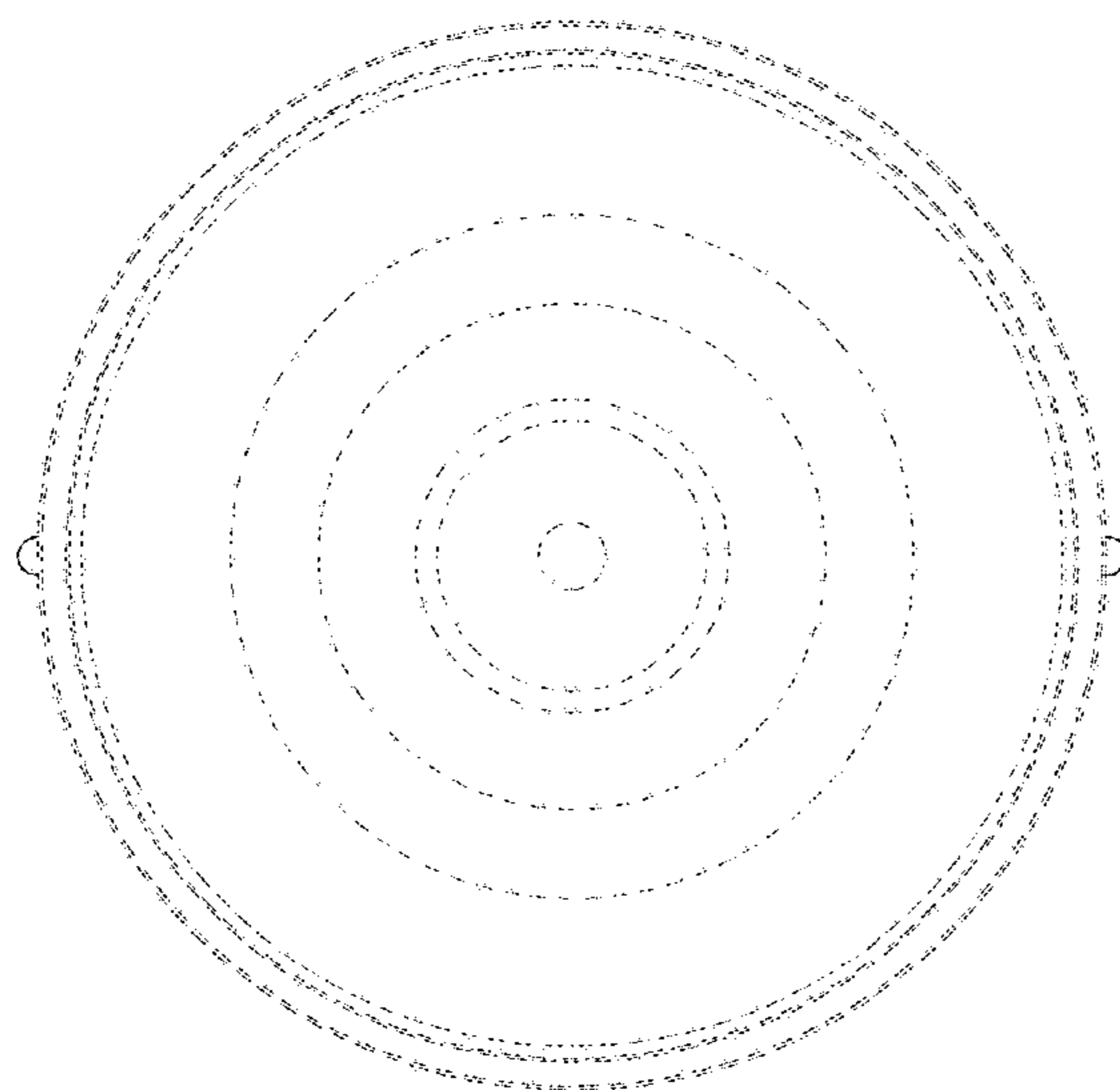


FIG. 6

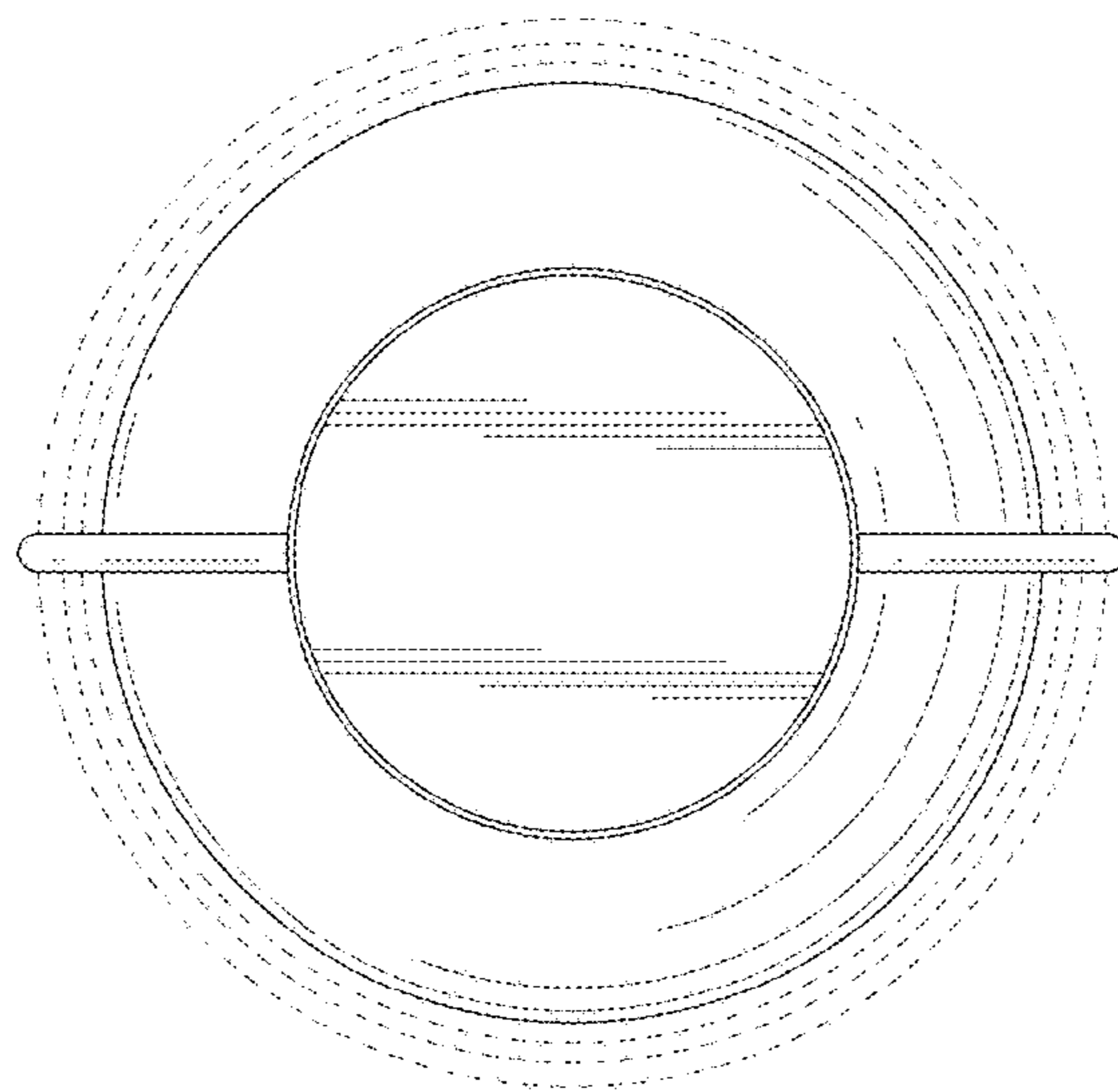


FIG. 7

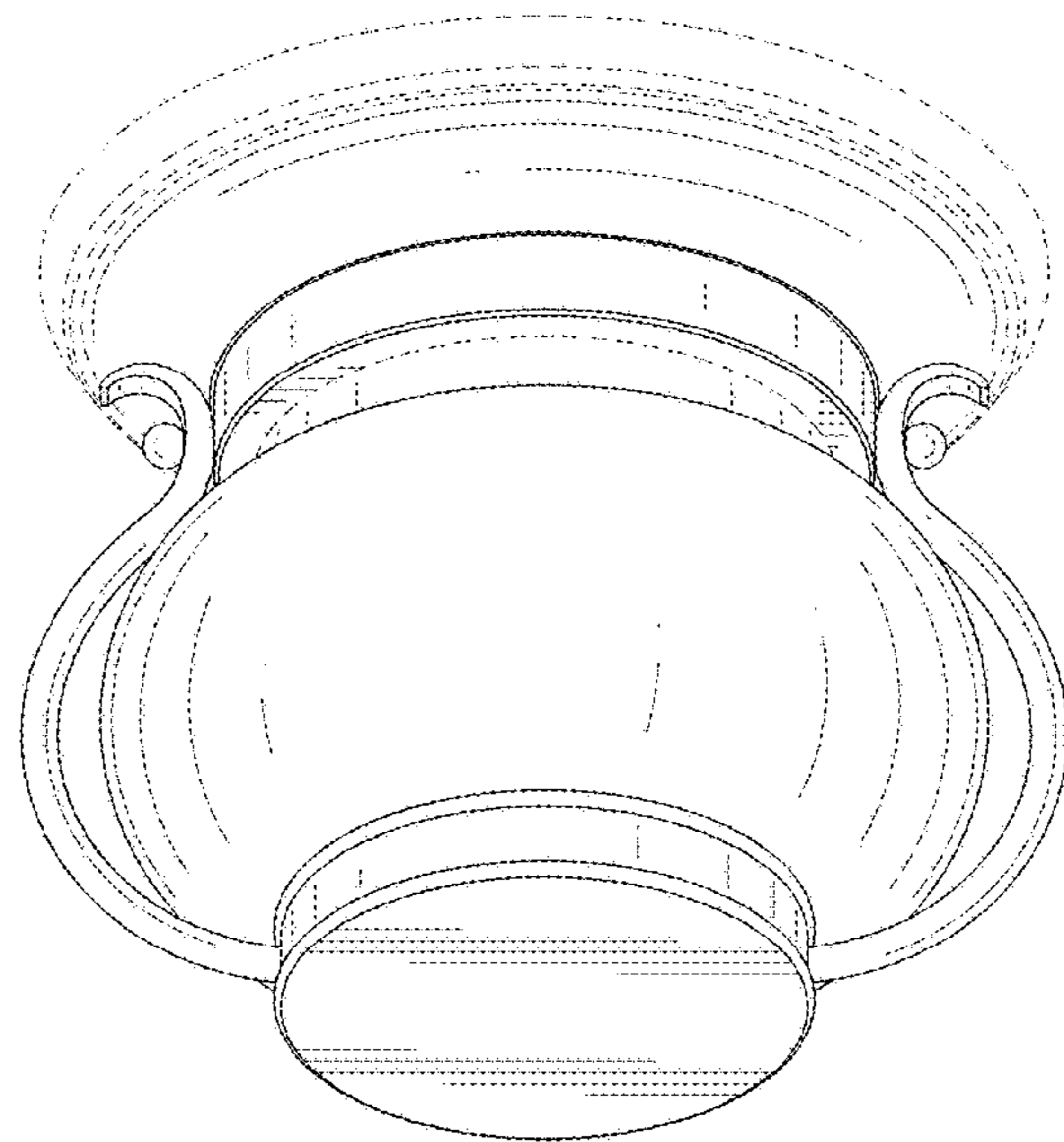


FIG. 8

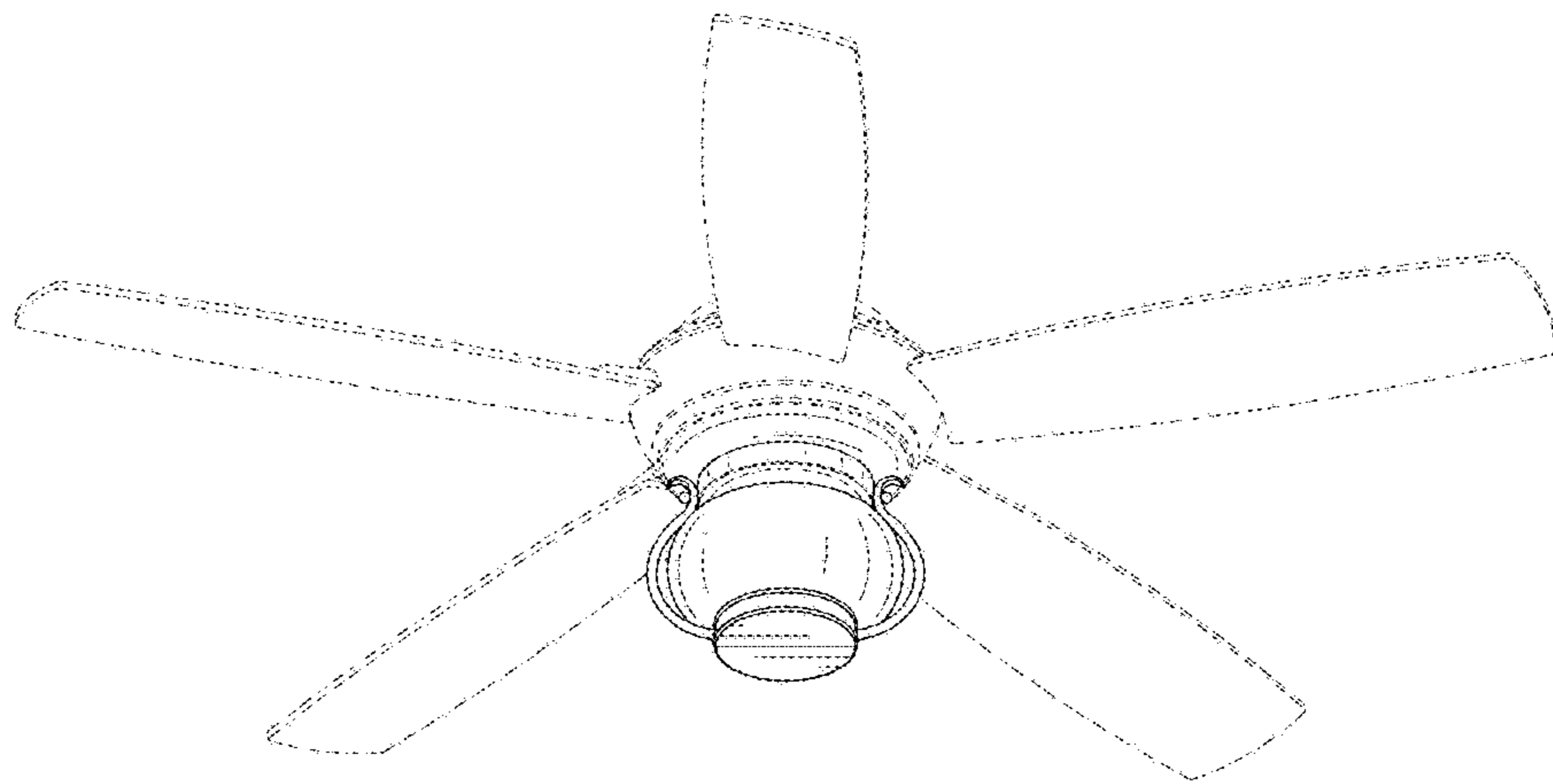


FIG. 9