

US00D862753S

(12) **United States Design Patent**
Lin

(10) **Patent No.:** **US D862,753 S**
(45) **Date of Patent:** **** Oct. 8, 2019**

(54) **AUTOMOBILE FOG LIGHT**

(71) Applicant: **Chi-Chung Lin**, Hsinchu (TW)

(72) Inventor: **Chi-Chung Lin**, Hsinchu (TW)

(**) Term: **15 Years**

(21) Appl. No.: **29/690,858**

(22) Filed: **May 10, 2019**

(51) **LOC (12) Cl.** **26-06**

(52) **U.S. Cl.**
USPC **D26/28**

(58) **Field of Classification Search**
USPC D26/28-36, 139
CPC F21S 48/00; F21S 48/10; F21S 48/115;
F21S 48/225; F21S 48/1233; F21S
48/1266; F21S 48/1388; F21S 48/2268;
F21V 21/04; B60Q 9/13; B60Q 9/135;
B60Q 9/1375

See application file for complete search history.

(56) **References Cited**

U.S. PATENT DOCUMENTS

D504,734 S * 5/2005 Weng D26/28
D593,231 S * 5/2009 Koman D26/28

D642,711 S * 8/2011 Schneider D26/28
D676,163 S * 2/2013 Tanaka D26/28
D718,479 S * 11/2014 Lai D26/28
D743,070 S * 11/2015 Lai D26/28
D745,725 S * 12/2015 McMahan D26/28
D747,518 S * 1/2016 Lai D26/28
D761,462 S * 7/2016 Lai D26/28
D770,648 S * 11/2016 Lai D26/28
D800,931 S 10/2017 Lai

* cited by examiner

Primary Examiner — Marcus A Jackson

(74) *Attorney, Agent, or Firm* — Alexander Chen, Esq.;
Inhouse Co. Law Firm

(57) **CLAIM**

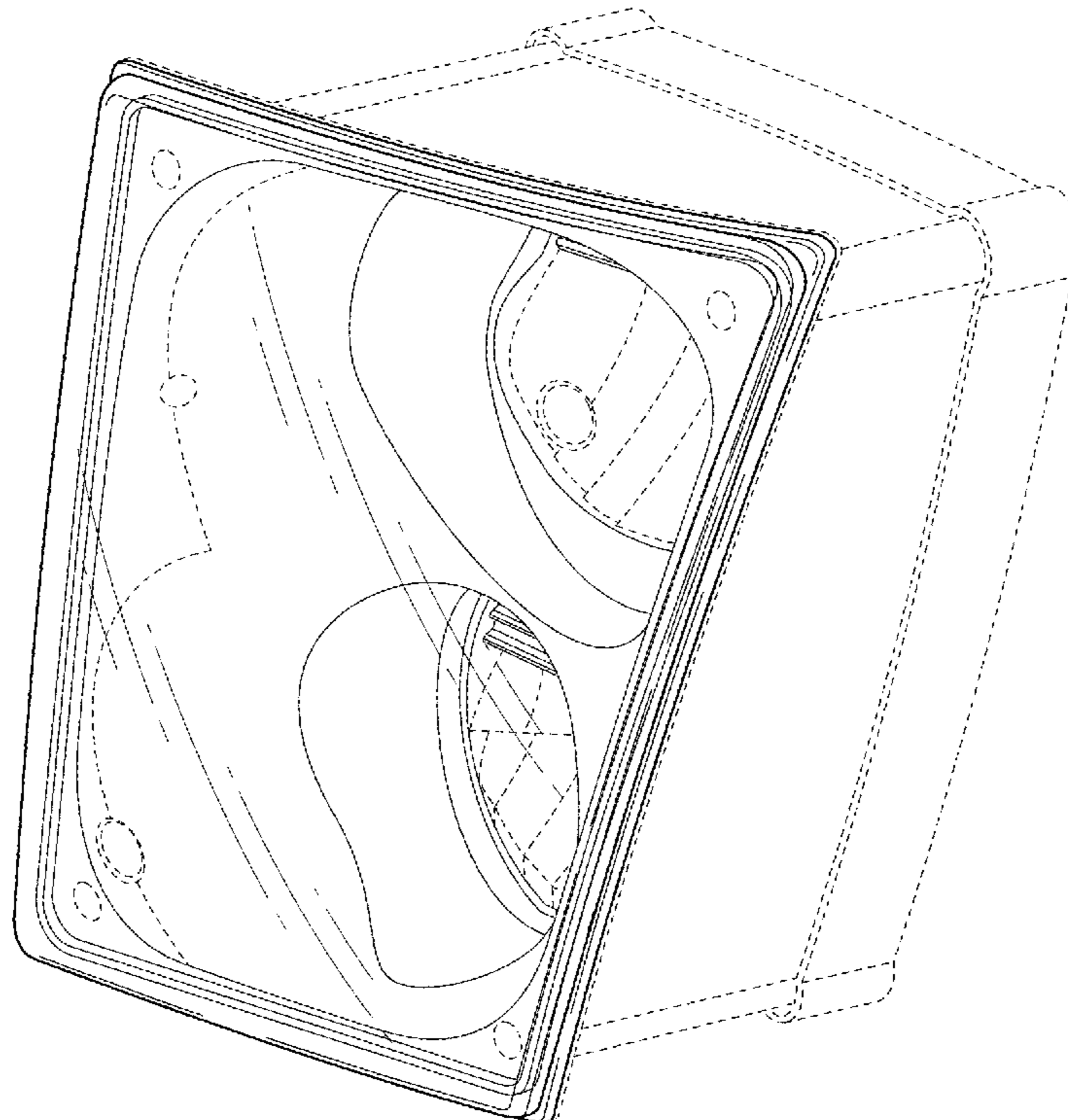
The ornamental design for an automobile fog light, as shown and described.

DESCRIPTION

FIG. 1 is a perspective view of an automobile fog light; FIG. 2 is a front view thereof; and, FIG. 3 is a side view thereof.

The broken lines are included to show environmental structure and form no part of the claimed design. The drawings and descriptions represent the left side embodiment. The claim is also for a mirror image right side embodiment.

1 Claim, 3 Drawing Sheets



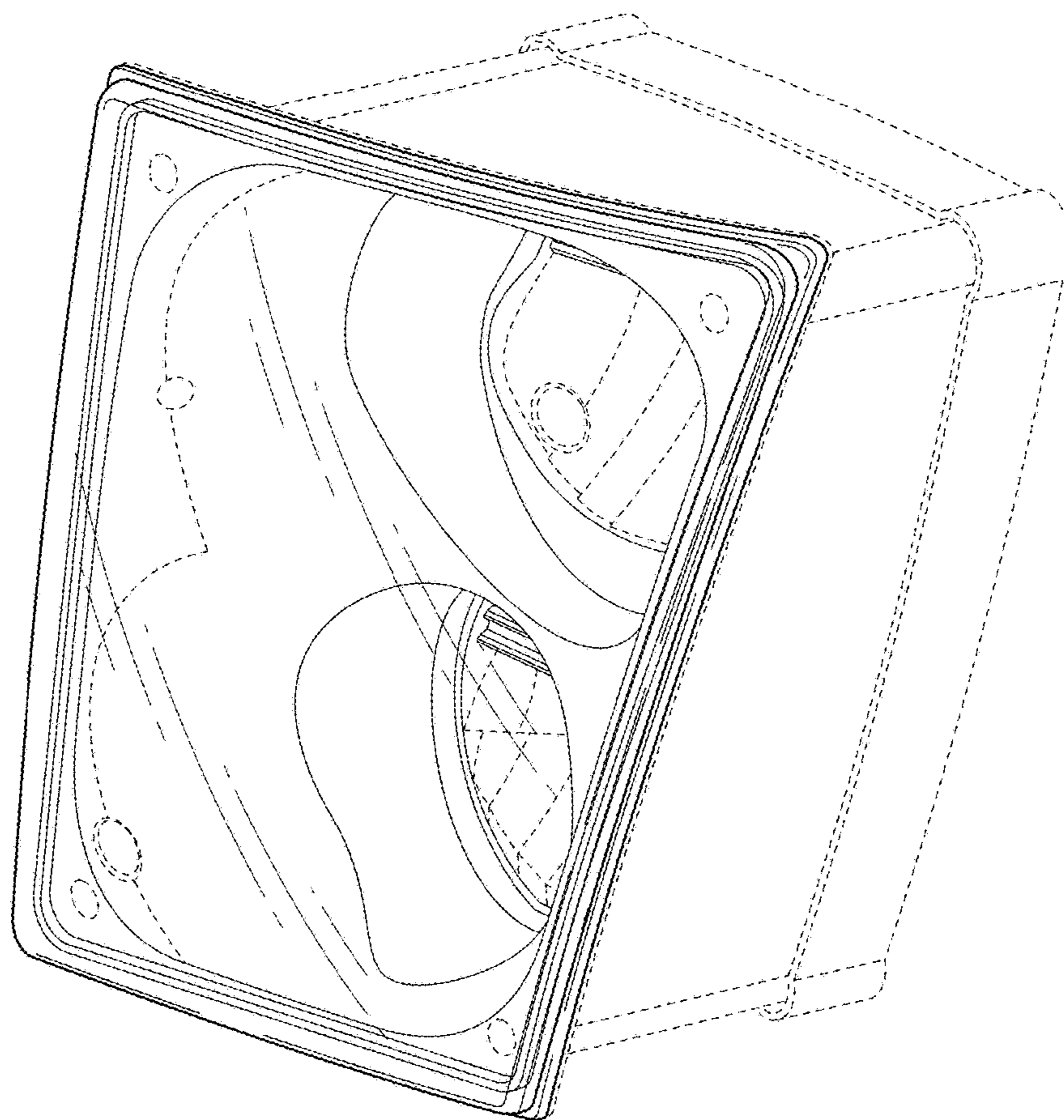


FIG. 1

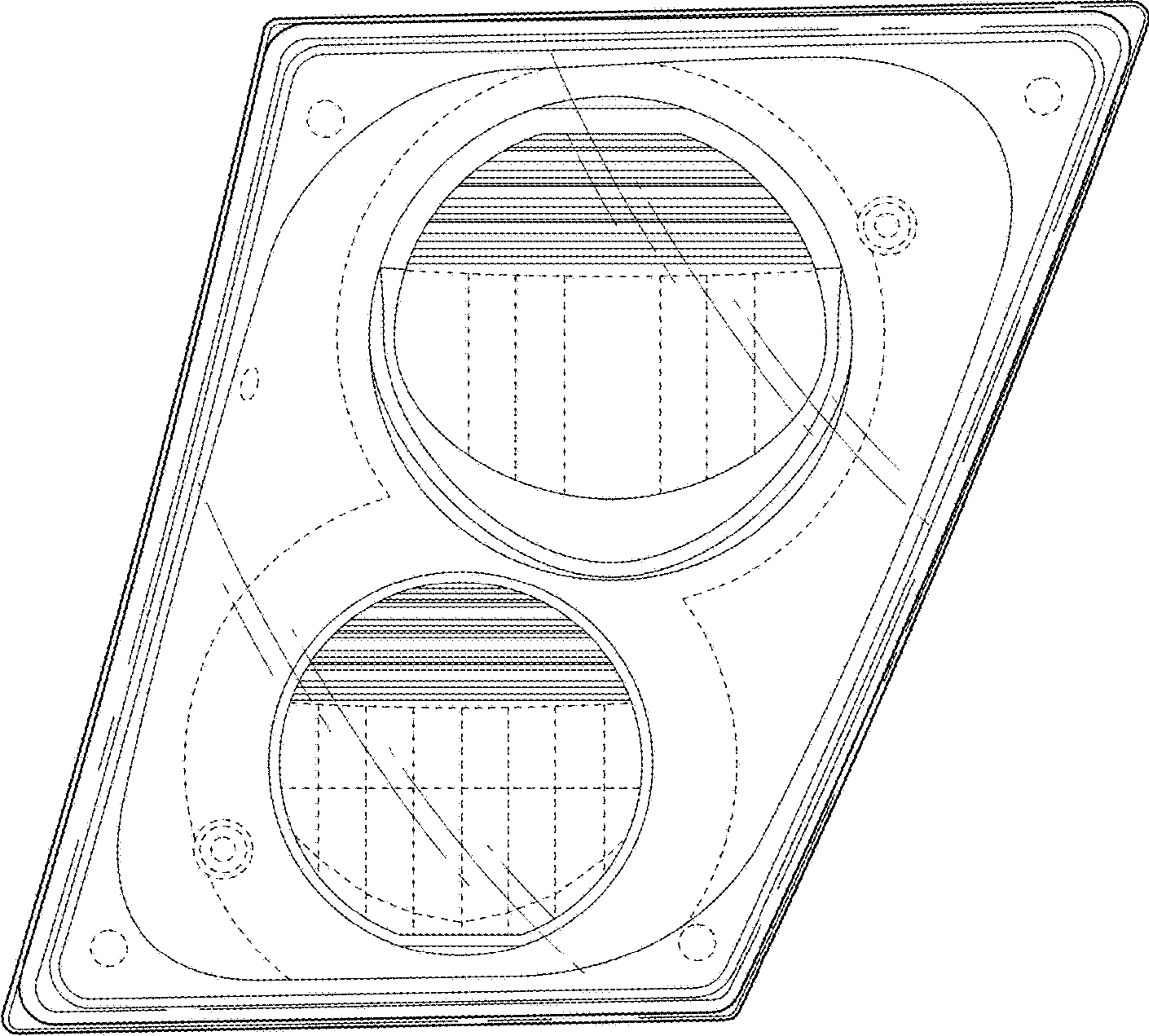


FIG. 2

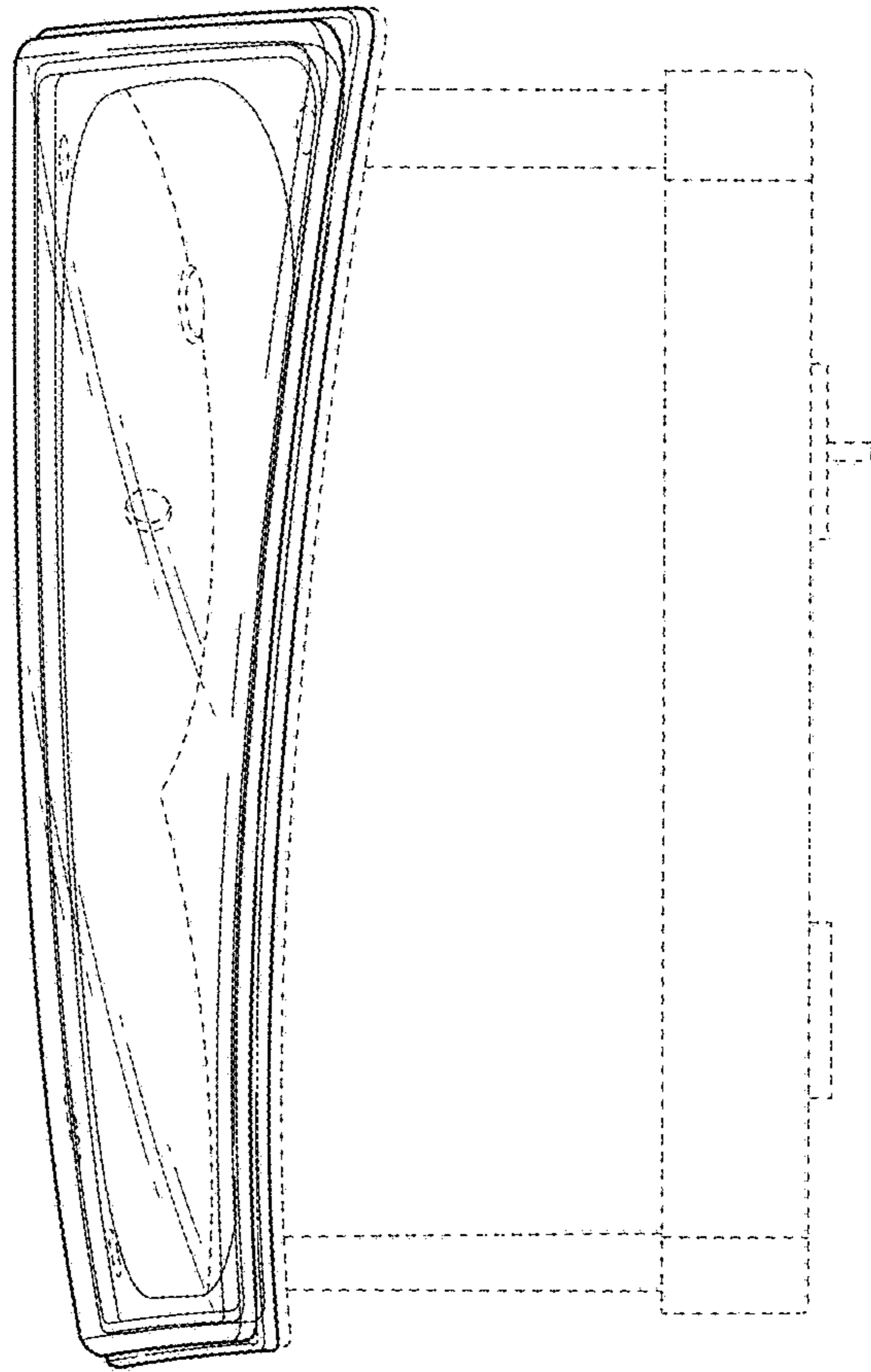


FIG. 3