



US00D862747S

(12) **United States Design Patent**  
**Alexander et al.**

(10) **Patent No.:** **US D862,747 S**

(45) **Date of Patent:** **\*\* Oct. 8, 2019**

(54) **LIGHTBULB**

(71) Applicant: **LIFI Labs, Inc.**, San Francisco, CA  
(US)

(72) Inventors: **Marc Alexander**, San Francisco, CA  
(US); **John Cameron**, San Francisco,  
CA (US)

(73) Assignee: **LIFI Labs, Inc.**, San Francisco, CA  
(US)

(\*\*) Term: **15 Years**

(21) Appl. No.: **29/687,135**

(22) Filed: **Apr. 10, 2019**

**Related U.S. Application Data**

(63) Continuation of application No. 29/613,864, filed on  
Aug. 14, 2017.

(51) **LOC (12) Cl.** ..... **26-04**

(52) **U.S. Cl.**  
USPC ..... **D26/2**

(58) **Field of Classification Search**

USPC ..... D26/1-4

CPC ..... H01R 5/00; H01R 13/46; H01R 13/514;  
H01R 31/048; H01R 31/02; H01J 5/00;  
H01J 5/16; H01J 1/02; H01J 15/00; H01J  
5/48; H01J 5/50; H01J 19/54; F21V 5/00;  
F21K 9/00; F21K 13/00

See application file for complete search history.

(56) **References Cited**

**U.S. PATENT DOCUMENTS**

D433,167 S 10/2000 Yim  
D463,584 S 9/2002 Yim

D531,741 S \* 11/2006 Takahashi ..... D26/2  
D535,038 S 1/2007 Egawa et al.  
D553,267 S \* 10/2007 Yuen ..... D26/2  
D586,928 S \* 2/2009 Liu ..... D26/2  
D590,523 S \* 4/2009 Takahashi ..... D26/2  
D600,368 S \* 9/2009 Bertram ..... D26/2  
D601,278 S 9/2009 Takahashi  
D605,786 S 12/2009 Lim  
D616,120 S 5/2010 Wada et al.  
D616,574 S \* 5/2010 Chen ..... D26/2  
D623,774 S 9/2010 Tsai  
D646,809 S 10/2011 Shi  
D688,395 S 8/2013 Bukkems et al.

\* cited by examiner

*Primary Examiner* — Marcus A Jackson

(74) *Attorney, Agent, or Firm* — Jeffrey Schox; Diana Lin

(57) **CLAIM**

We claim the ornamental design for a lightbulb, as shown  
and described.

**DESCRIPTION**

FIG. 1 is an isometric view, from the top left, of the  
lightbulb,

FIG. 2 is an isometric view, from the bottom right, of the  
lightbulb.

FIG. 3 is a plan view from the bottom of the lightbulb.

FIG. 4 is a plan view from the top of the lightbulb.

FIG. 5 is an elevation view from the right side of the  
lightbulb.

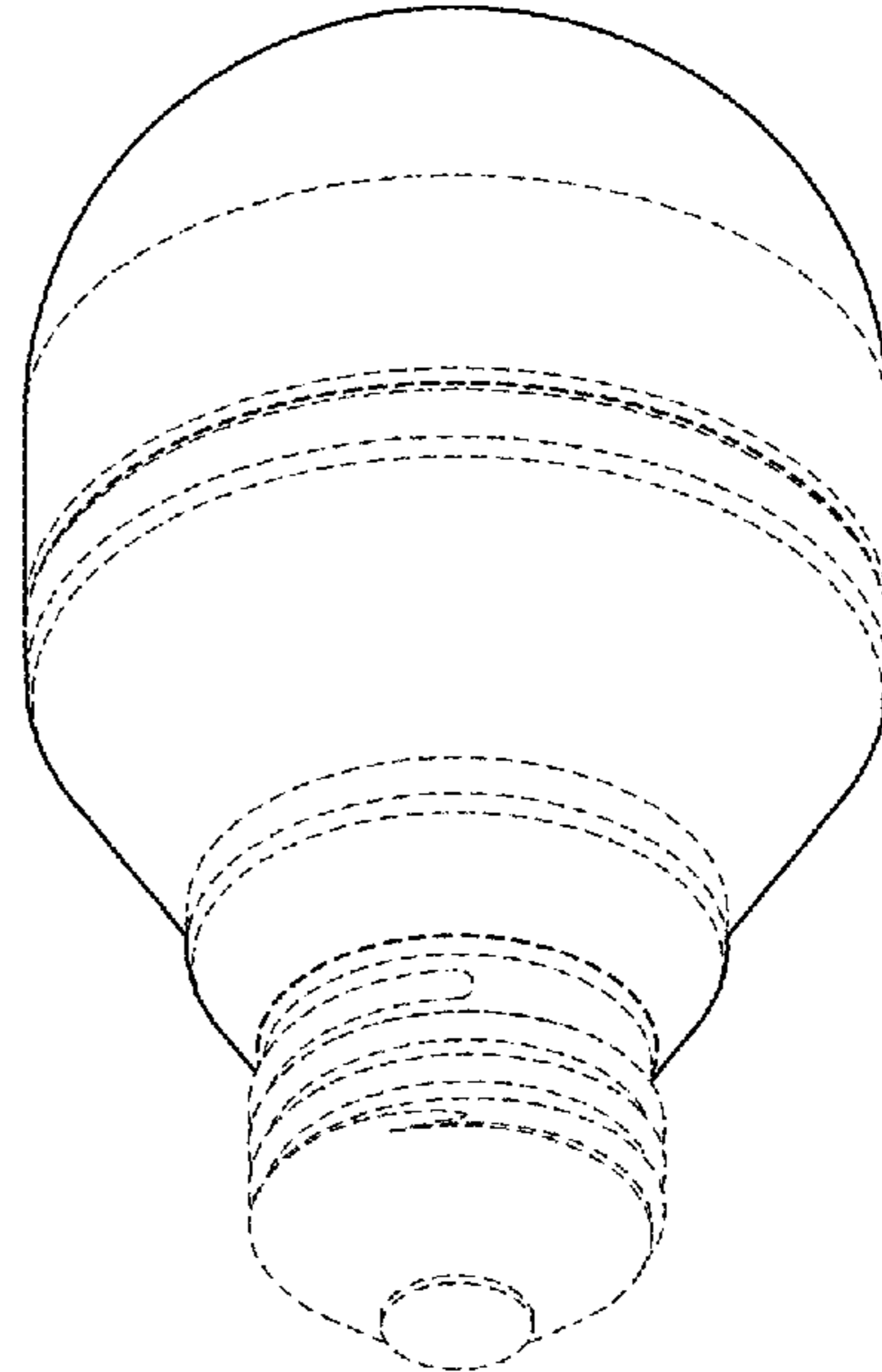
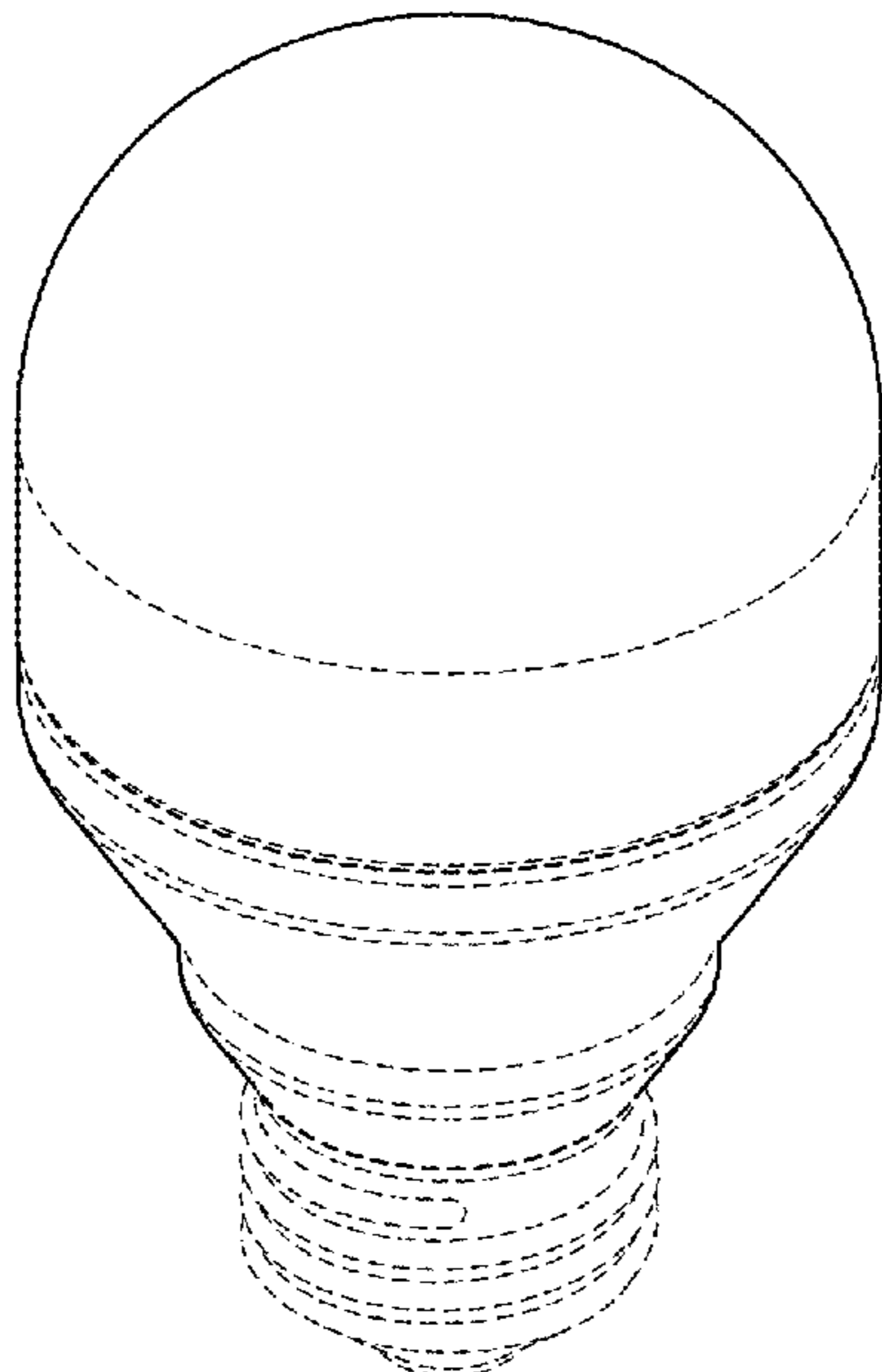
FIG. 6 is an elevation view from the left side of the lightbulb.

FIG. 7 is an elevation view from the front of the lightbulb;  
and,

FIG. 8 is an elevation view from the back of the lightbulb.

Any broken lines are understood to be for illustrative  
purposes only and form no part of the claimed design.

**1 Claim, 3 Drawing Sheets**



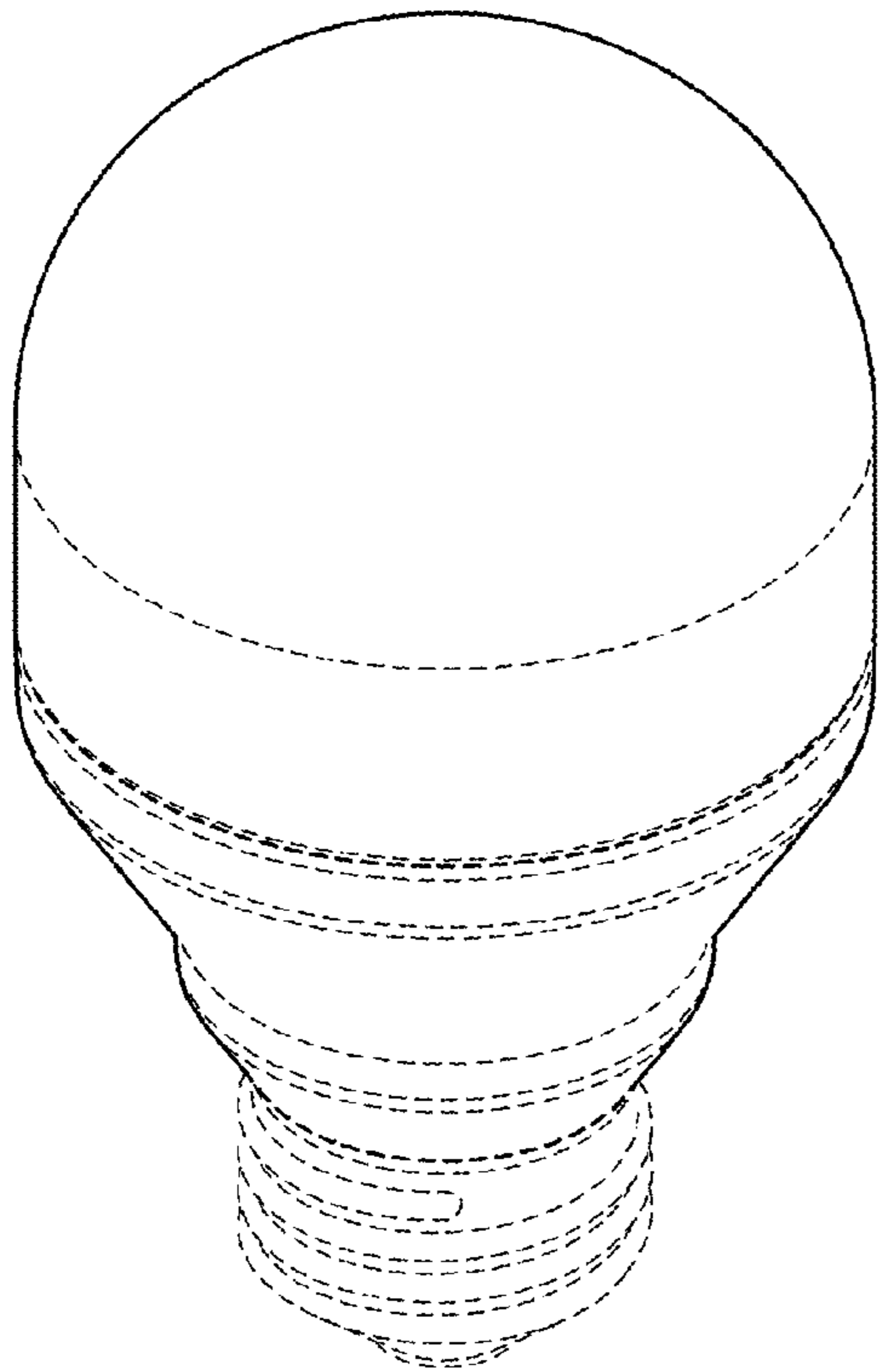


FIG. 1

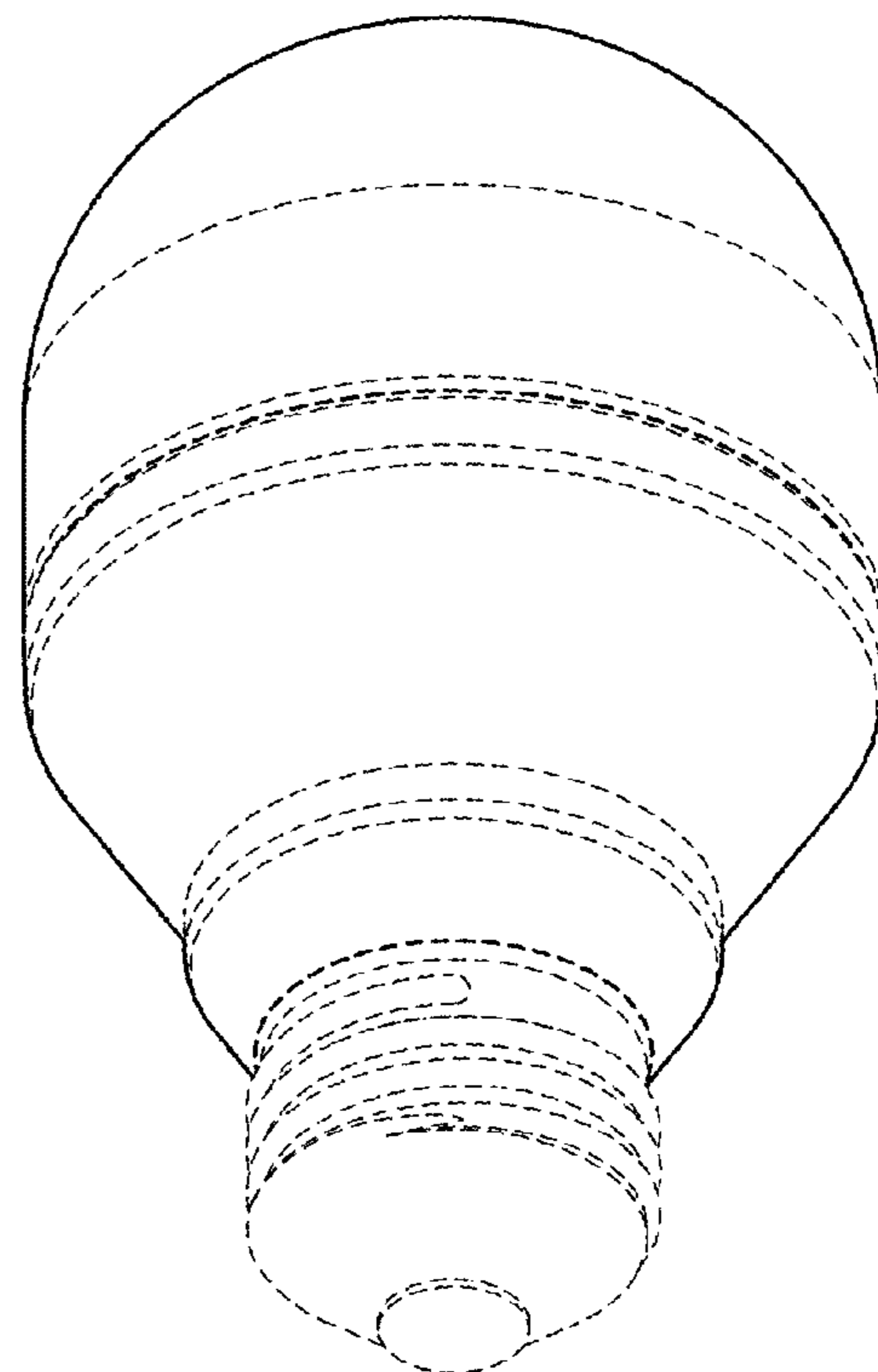


FIG. 2

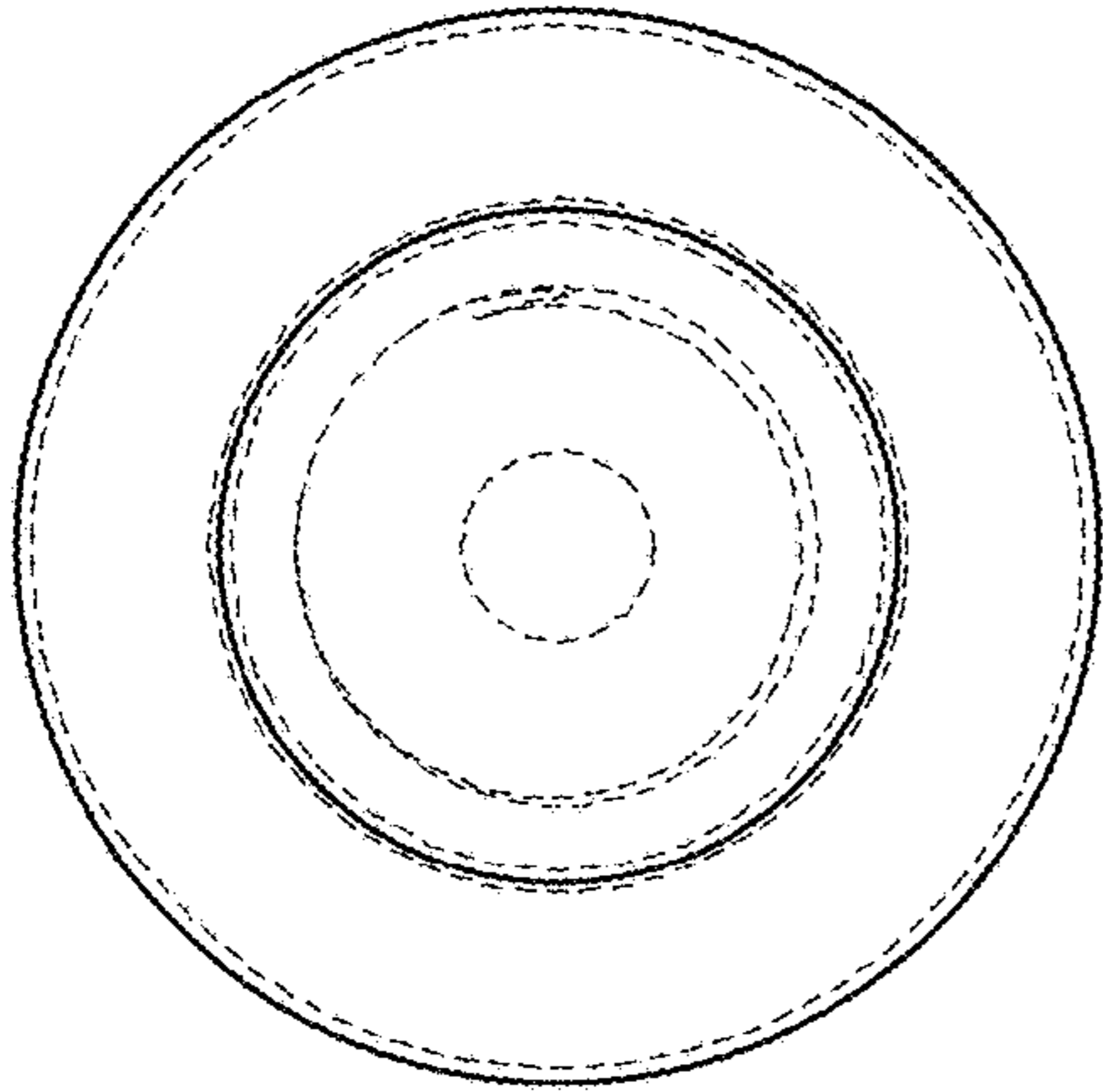


FIG. 3

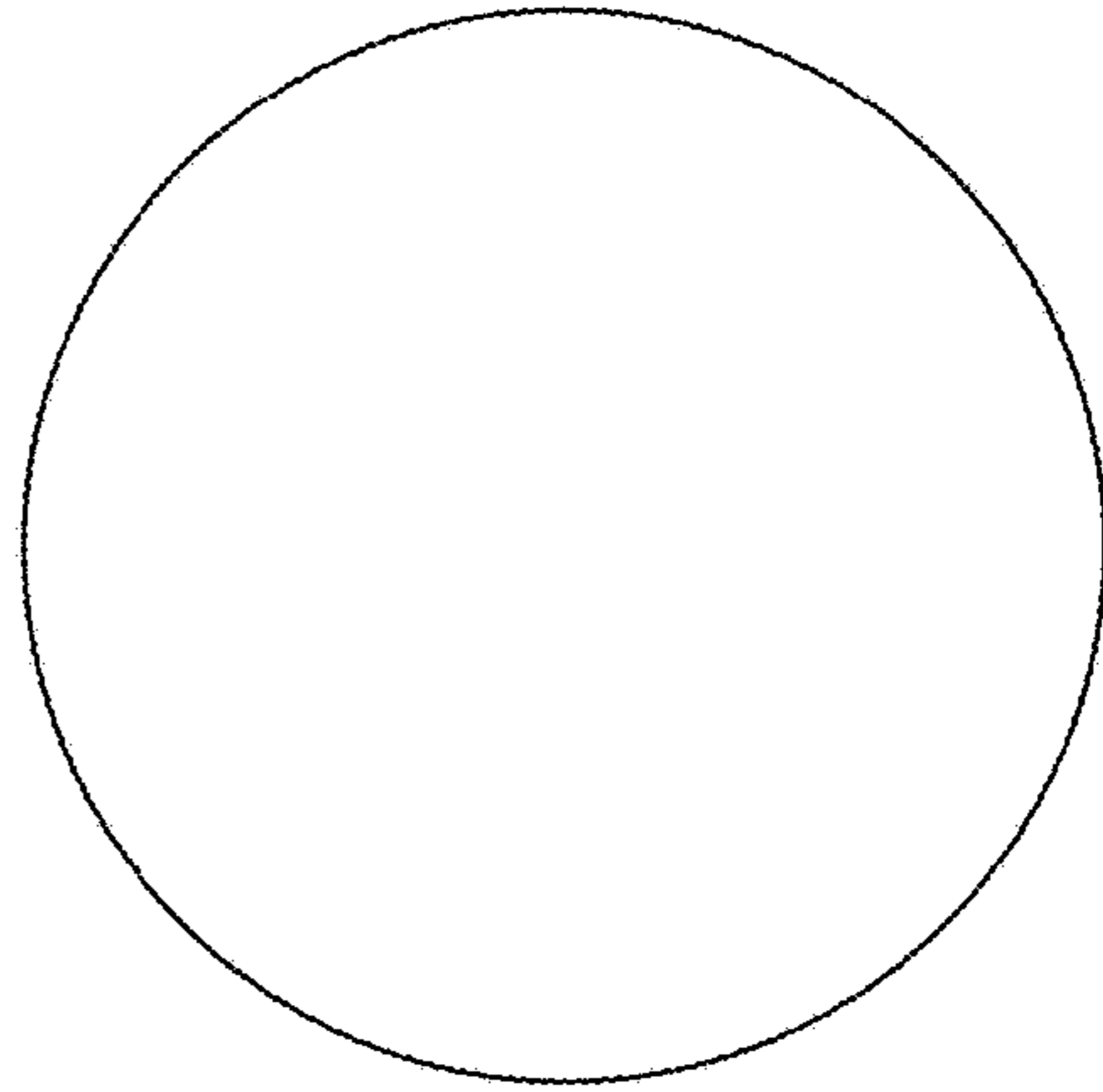


FIG. 4

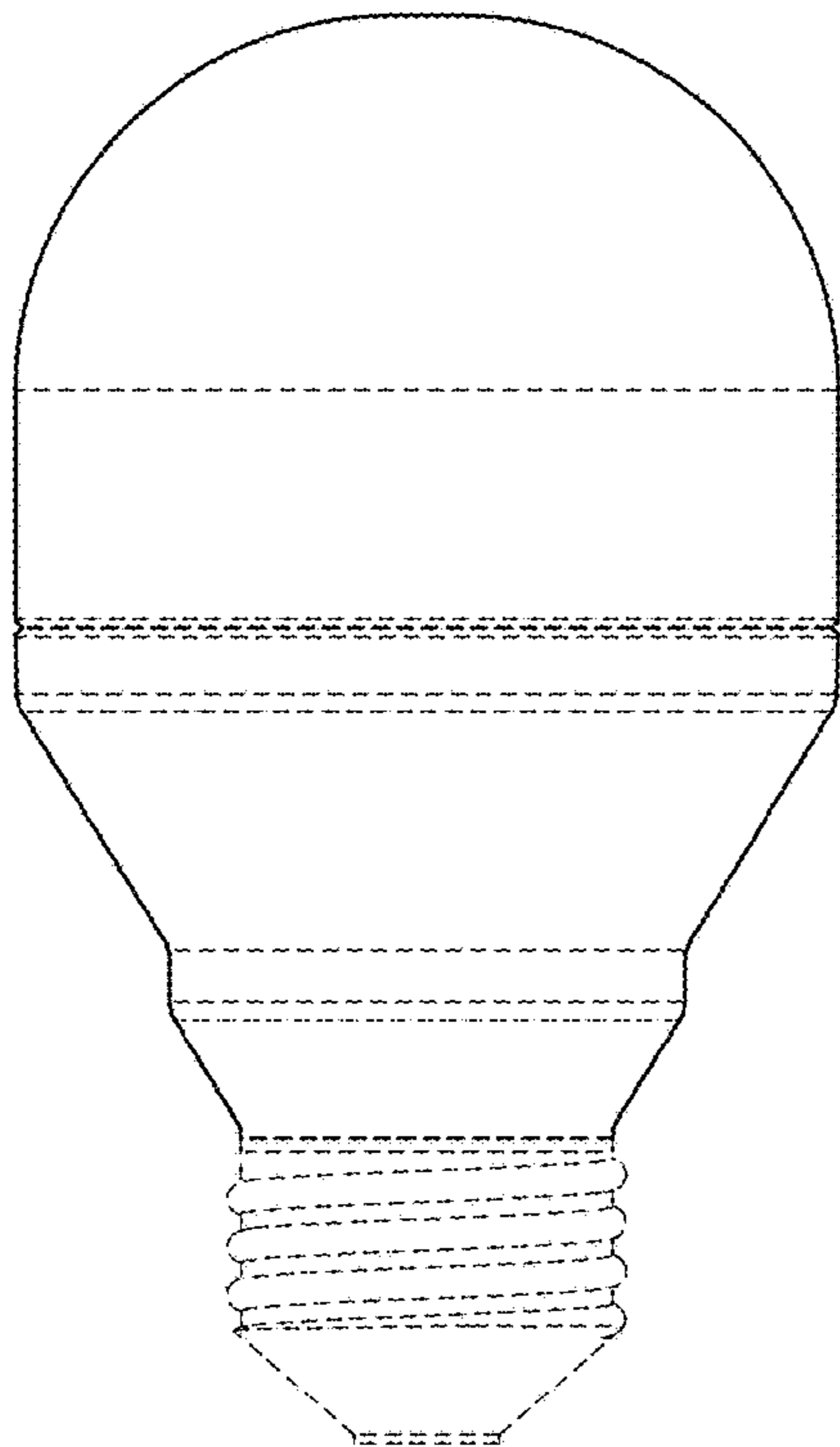


FIG. 5

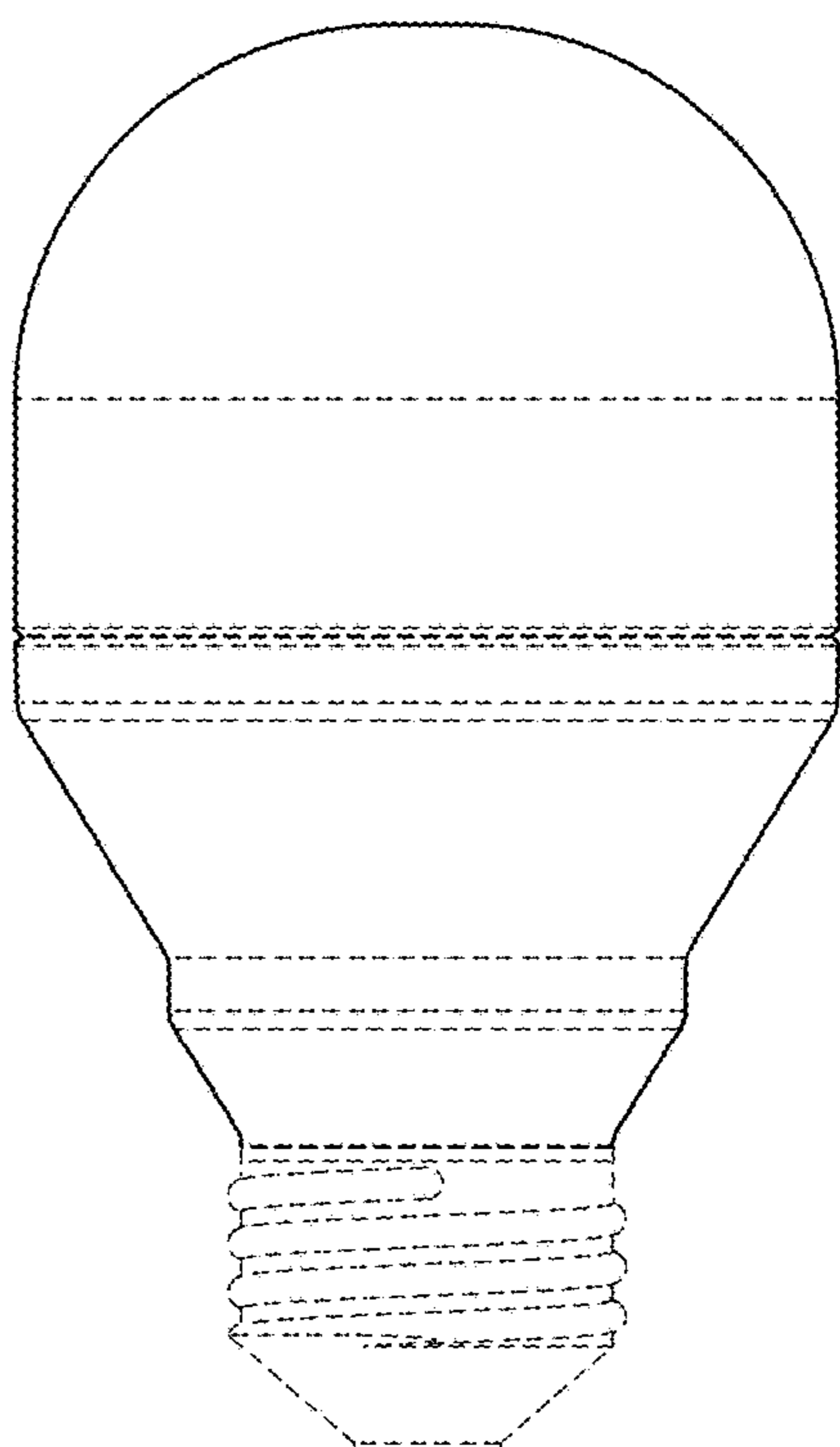


FIG. 6

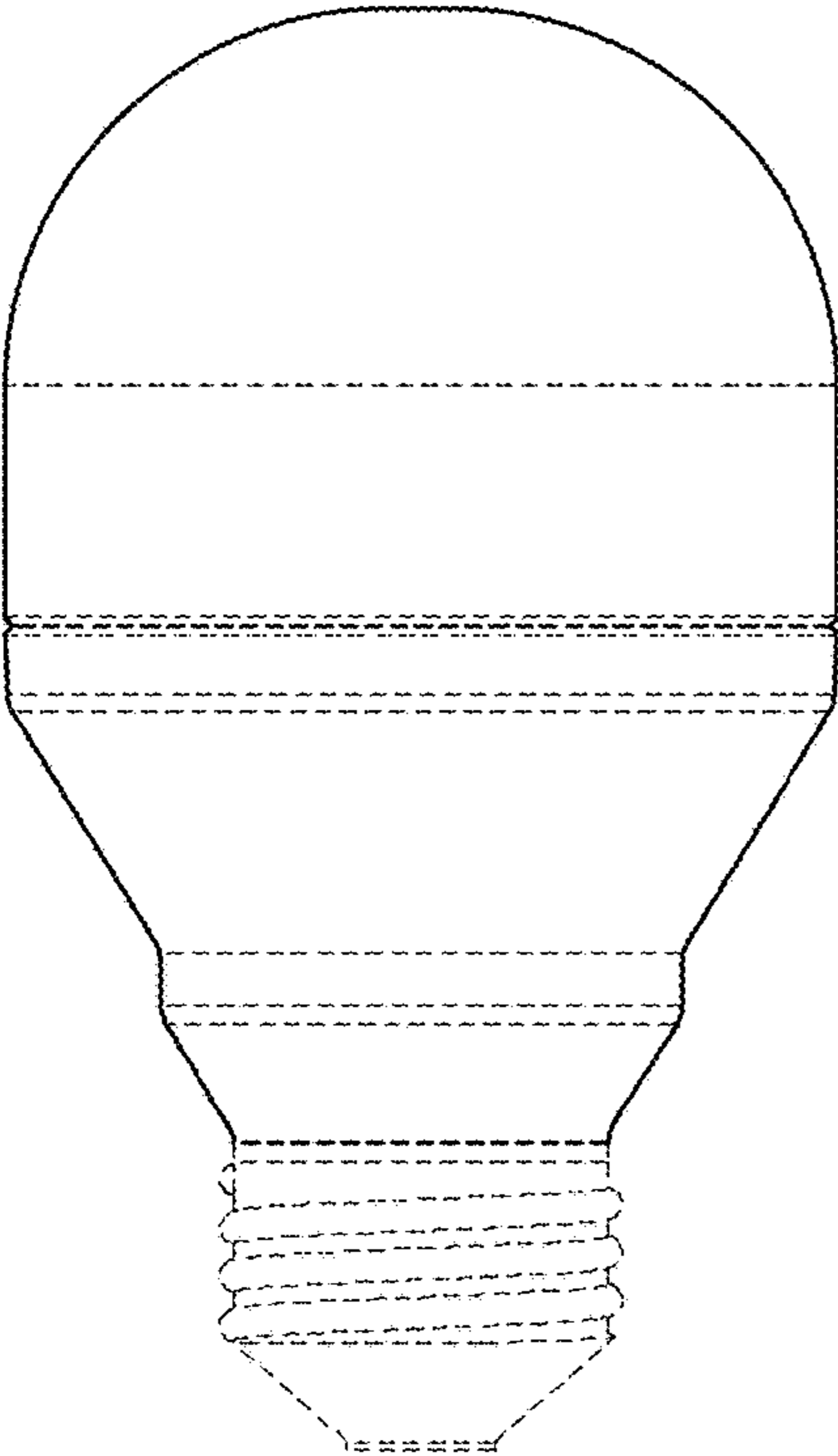


FIG. 7

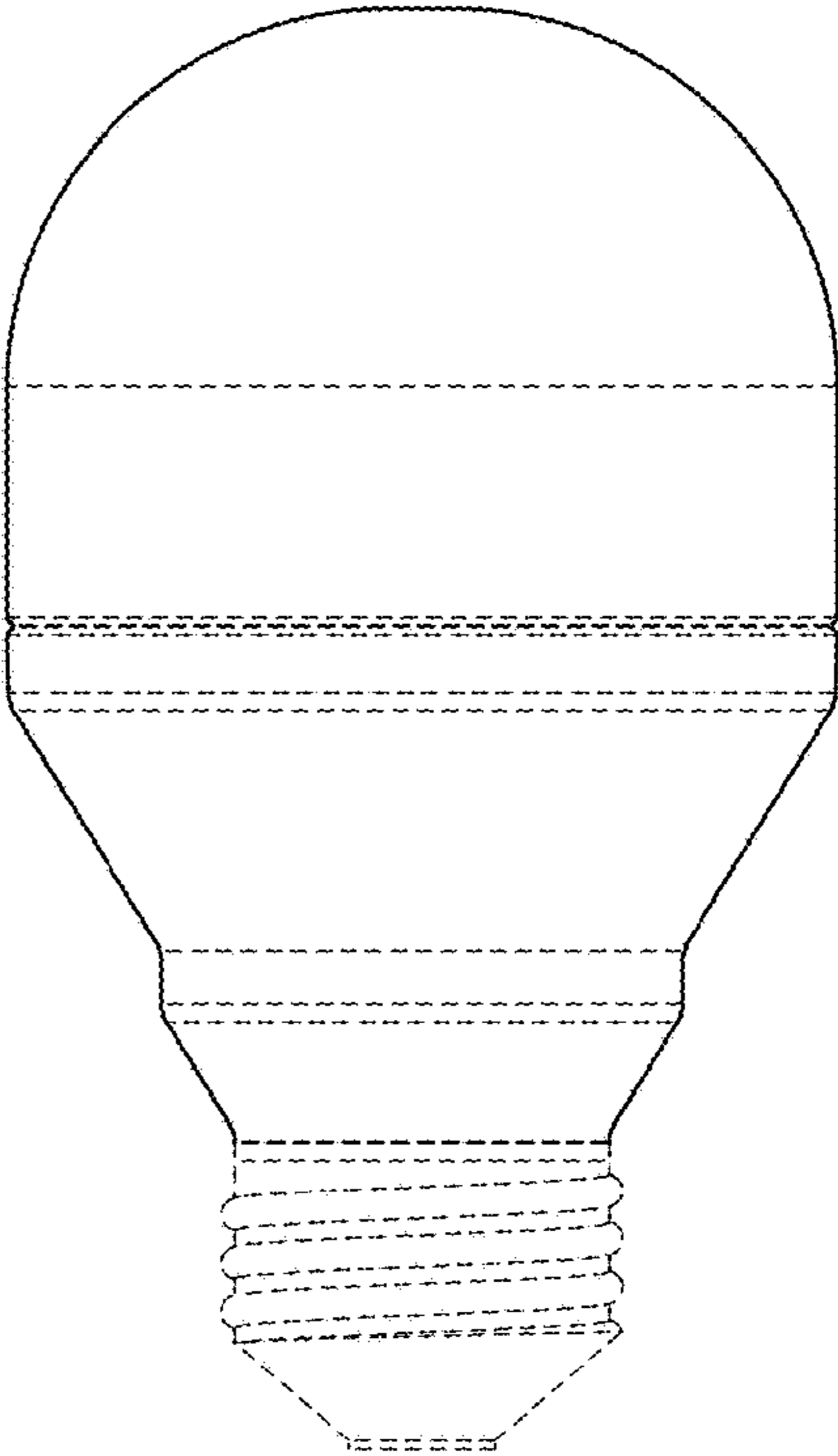


FIG. 8