



US00D862745S

(12) **United States Design Patent** (10) **Patent No.:** **US D862,745 S**  
**Jin** (45) **Date of Patent:** **\*\* Oct. 8, 2019**

(54) **LAMP**

(74) *Attorney, Agent, or Firm* — JCIPRNET

(71) Applicant: **HANGZHOU LINGDA LIGHTING CO., LTD.**, Zhejiang (CN)

(57) **CLAIM**

The ornamental design for a lamp, as shown and described.

(72) Inventor: **Shengxi Jin**, Zhejiang (CN)

**DESCRIPTION**

(73) Assignee: **HANGZHOU LINGDA LIGHTING CO., LTD.**, Zhejiang (CN)

FIG. 1 is a perspective view of a lamp showing my new design;

(\*\*) Term: **15 Years**

FIG. 2 is a front view thereof;

(21) Appl. No.: **29/641,990**

FIG. 3 is a rear view thereof;

(22) Filed: **Mar. 27, 2018**

FIG. 4 is a left side view thereof;

(51) **LOC (12) Cl.** ..... **26-04**

FIG. 5 is a right side view thereof;

(52) **U.S. Cl.**

FIG. 6 is a top view thereof;

USPC ..... **D26/2**

FIG. 7 is a bottom view thereof;

(58) **Field of Classification Search**

FIG. 8 is an end view taken along line 8-8 in FIG. 2;

USPC ..... **D26/1-4**

FIG. 9 is an exploded view thereof;

CPC ..... **H01R 5/00; H01R 13/46; H01R 13/514;**

FIG. 10 is a top perspective of the upper cover thereof with the detail lines visible behind the transparent surfaces omitted for clarity of illustration;

**H01R 31/048; H01R 31/02; H01J 5/00;**

FIG. 11 is a bottom perspective of the upper cover thereof with the detail lines visible behind the transparent surfaces omitted for clarity of illustration;

**H01J 5/16; H01J 1/02; H01J 15/00; H01J**

FIG. 12 is a top perspective of the side casing thereof with the detail lines visible behind the transparent surfaces omitted for clarity of illustration;

**5/48; H01J 5/50; H01J 19/54; F21V 5/00;**

FIG. 13 is a bottom perspective of the side casing thereof with the detail lines visible behind the transparent surfaces omitted for clarity of illustration;

**F21K 9/00; F21K 13/00**

FIG. 14 is an enlarged view of an indicated portion in FIG. 12; and,

See application file for complete search history.

(56) **References Cited**

**U.S. PATENT DOCUMENTS**

D532,532 S	*	11/2006	Maxik	.....	D26/2
D544,110 S	*	6/2007	Hooker	.....	D26/2
D566,300 S	*	4/2008	Lo	.....	D26/2
D581,555 S	*	11/2008	To	.....	D26/2
D584,838 S	*	1/2009	To	.....	D26/2

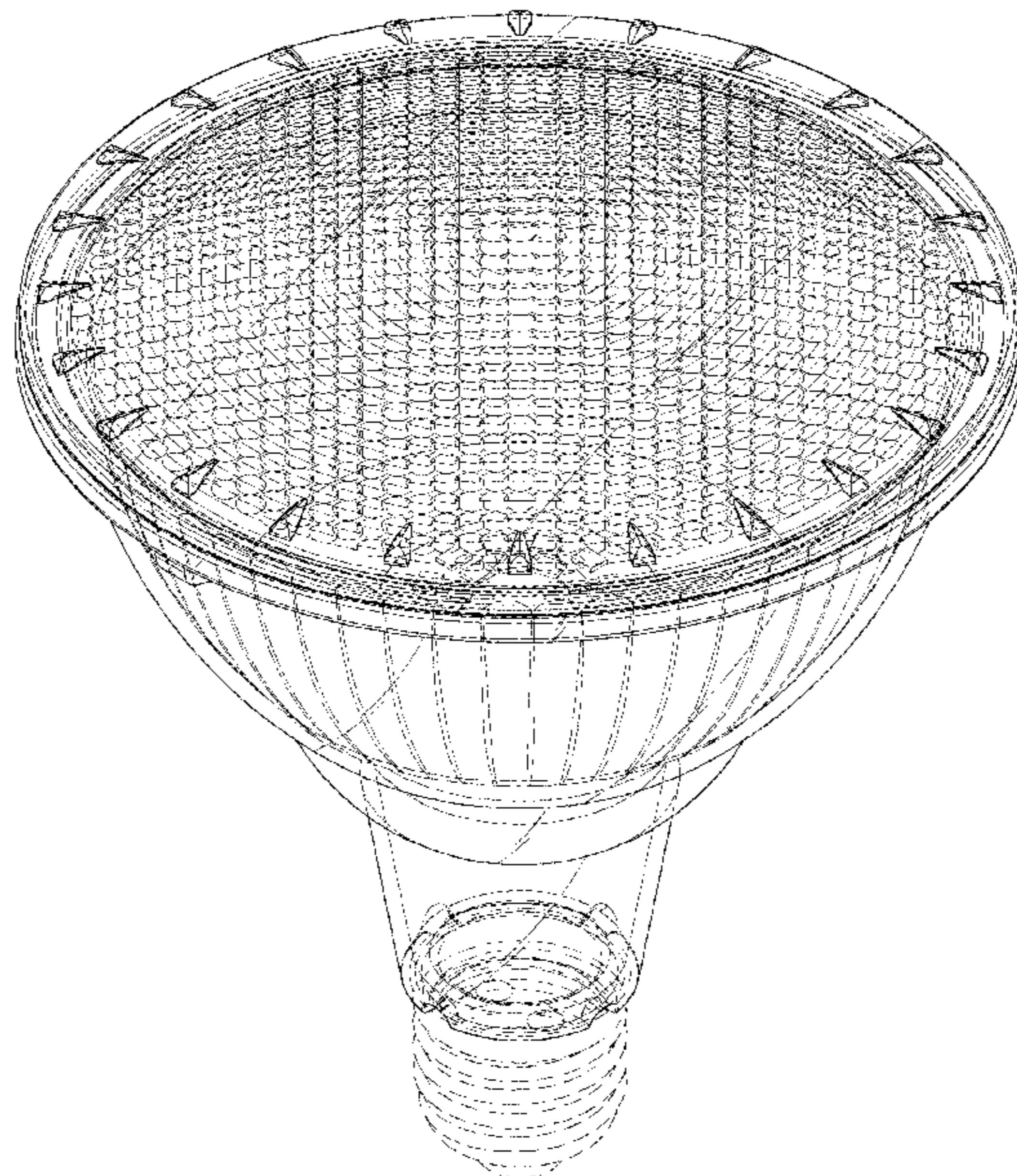
FIG. 15 is an enlarged view of another indicated portion in FIG. 12.

\* cited by examiner

The dashed broken lines in the drawings illustrate a portion of the lamp and form no part of the claimed design. The upper cover and the side casing of the lamp are transparent.

*Primary Examiner* — Marcus A Jackson

**1 Claim, 15 Drawing Sheets**



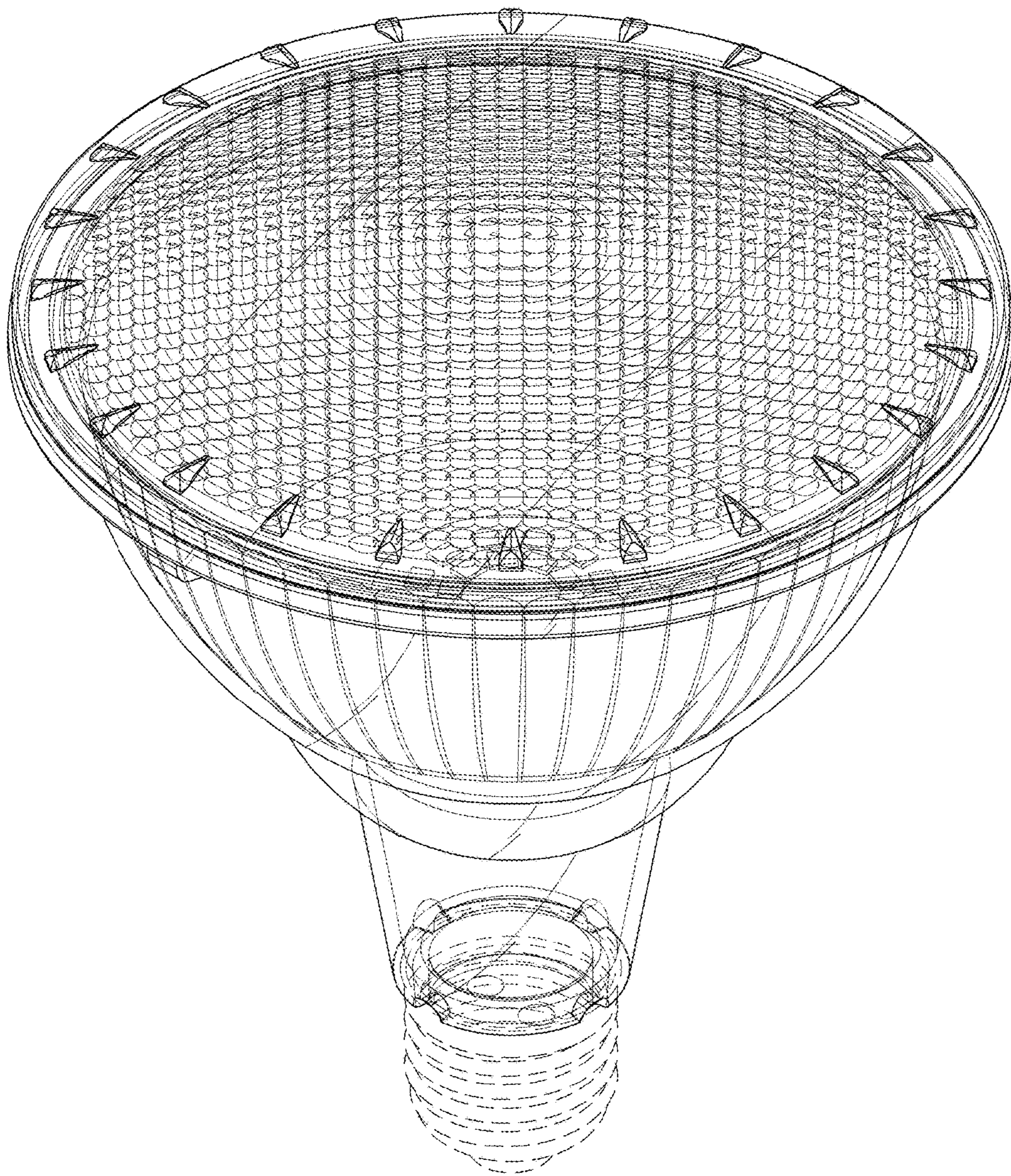


FIG. 1

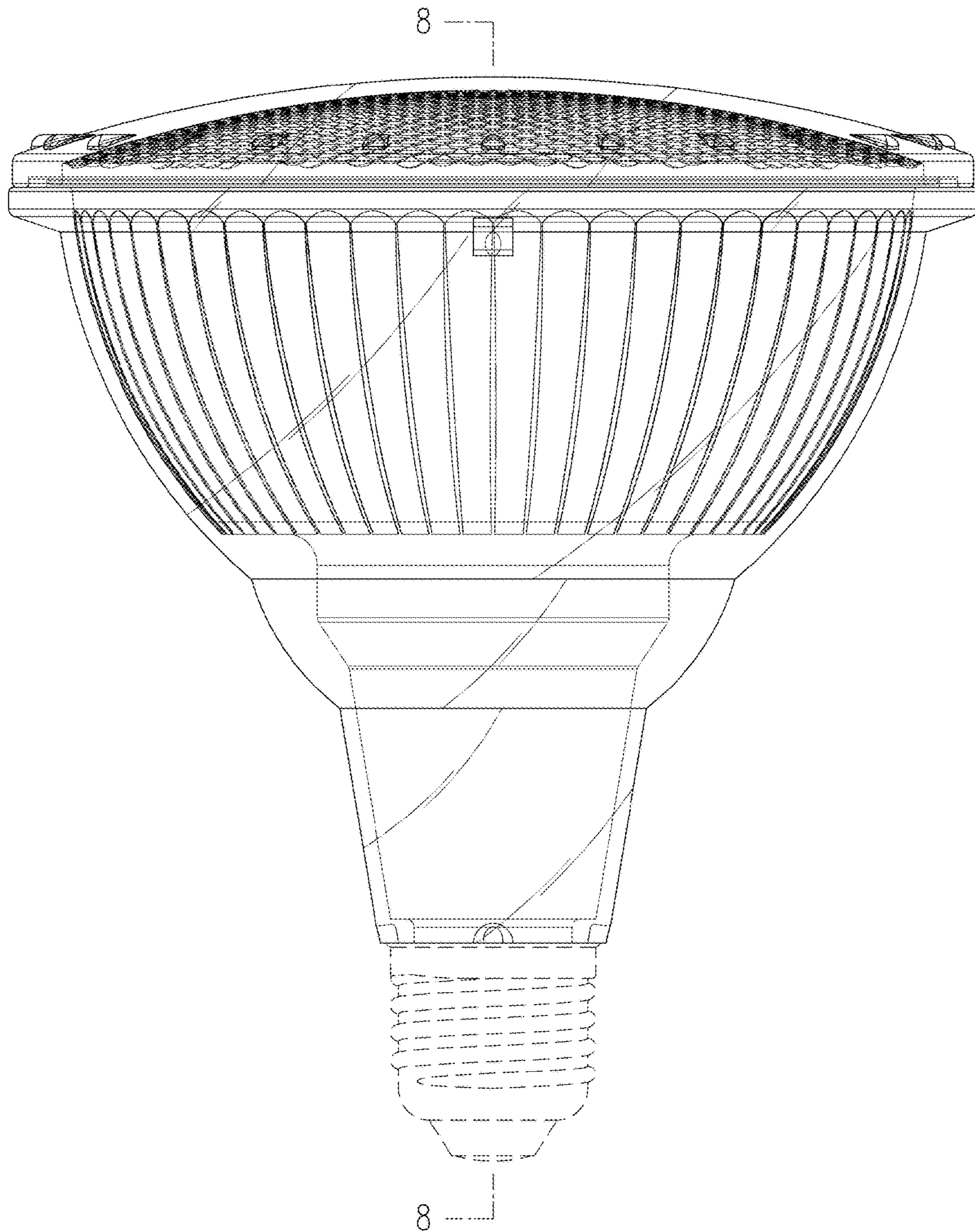


FIG. 2

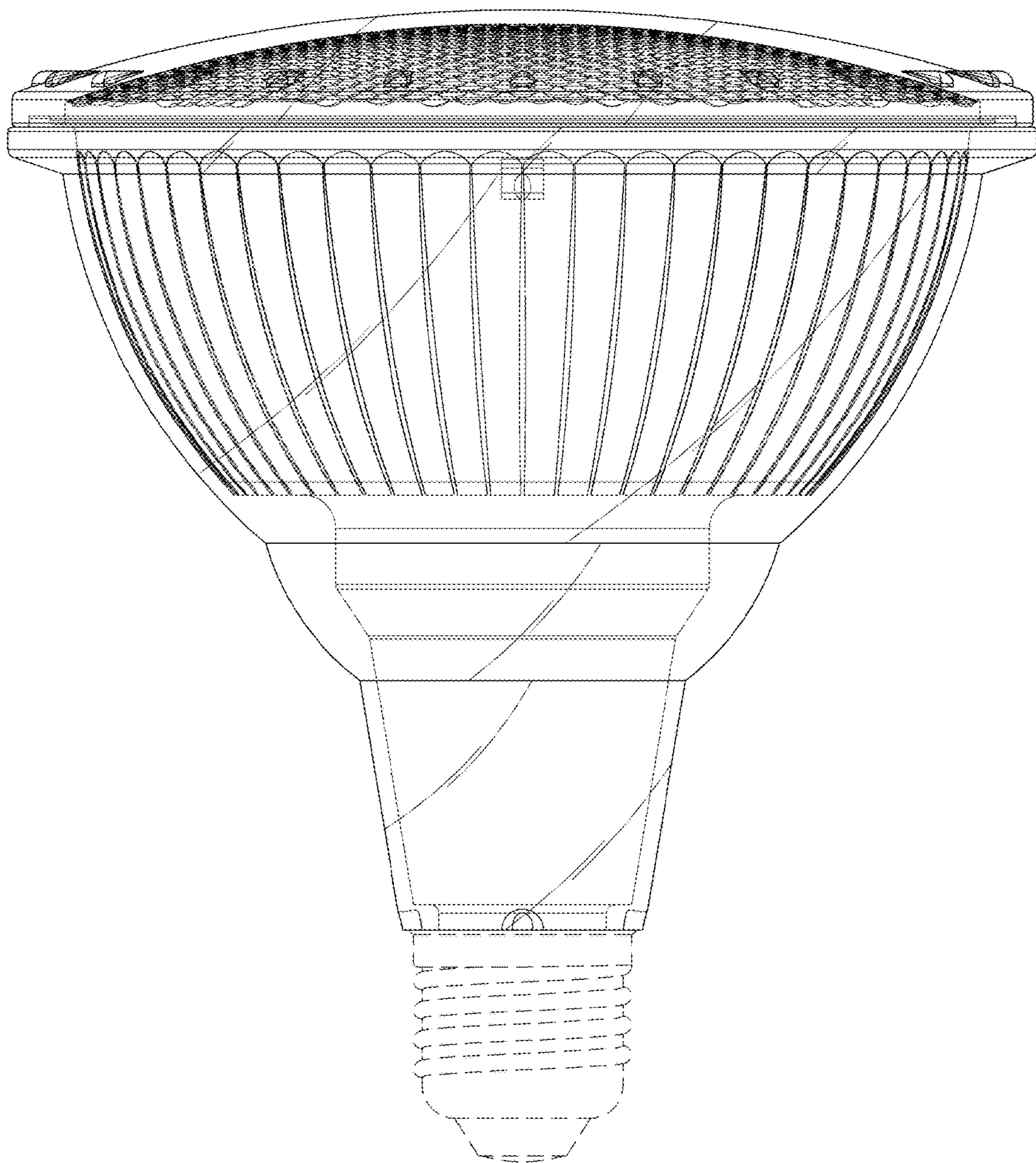


FIG. 3

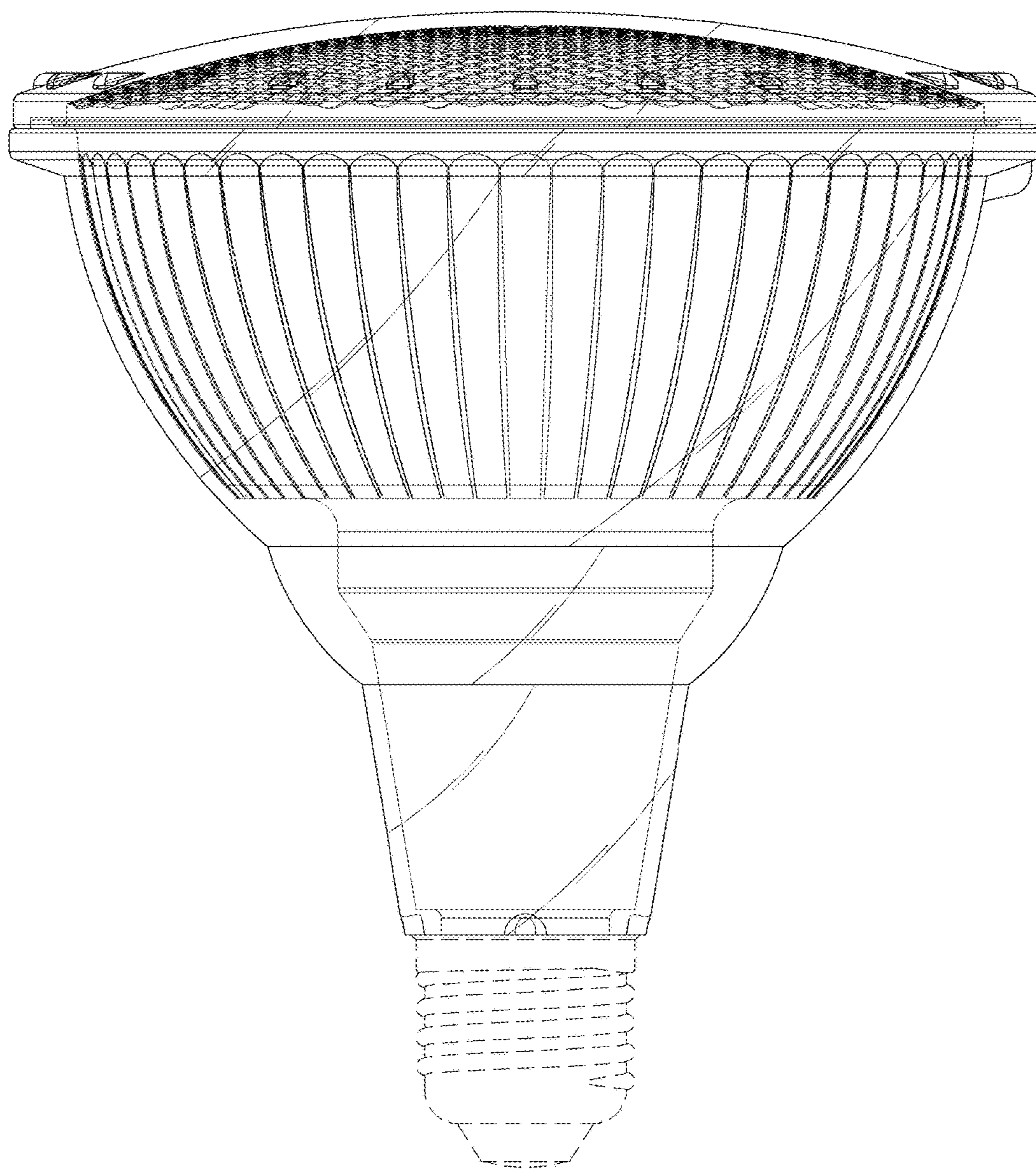


FIG. 4

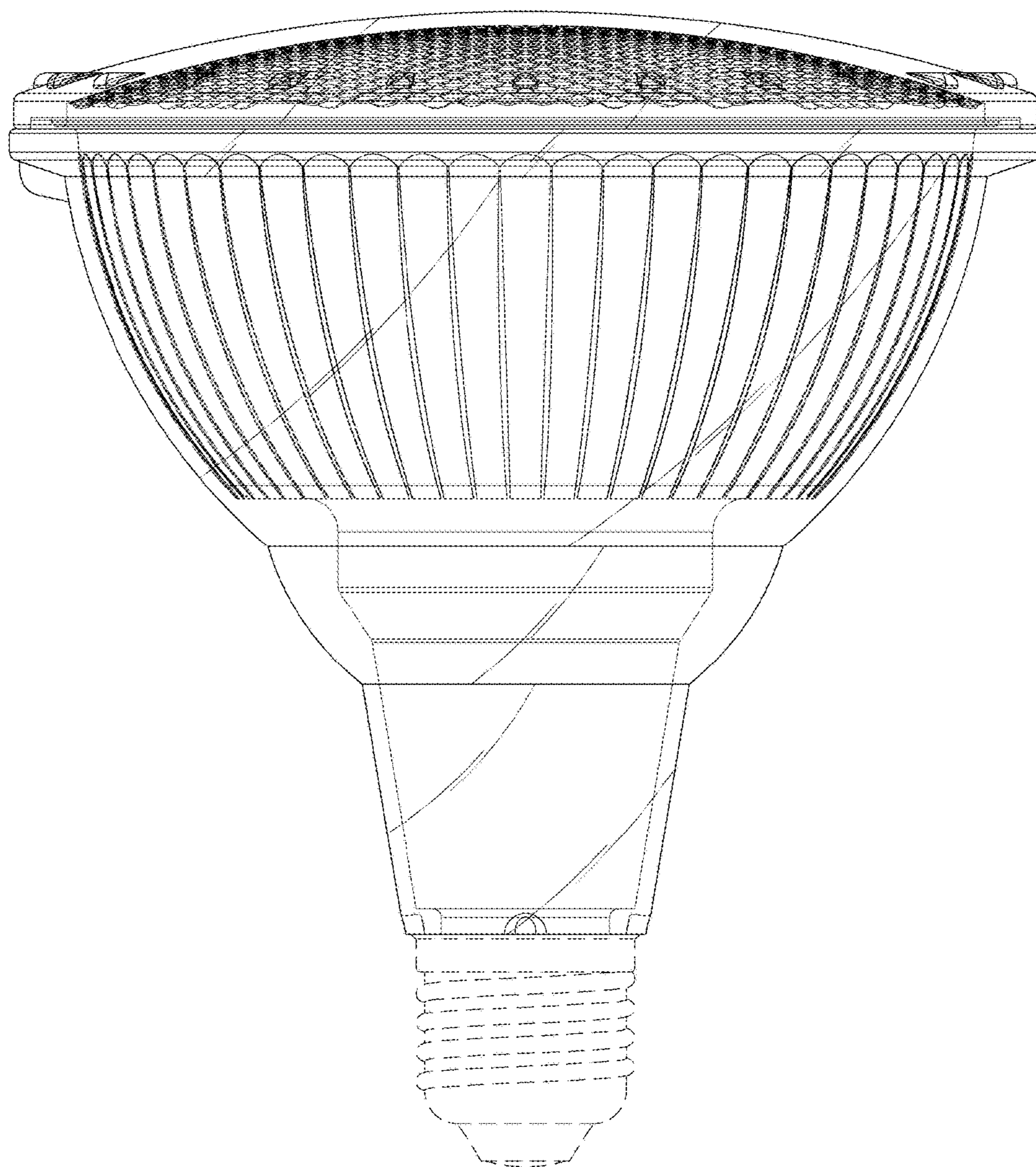


FIG. 5

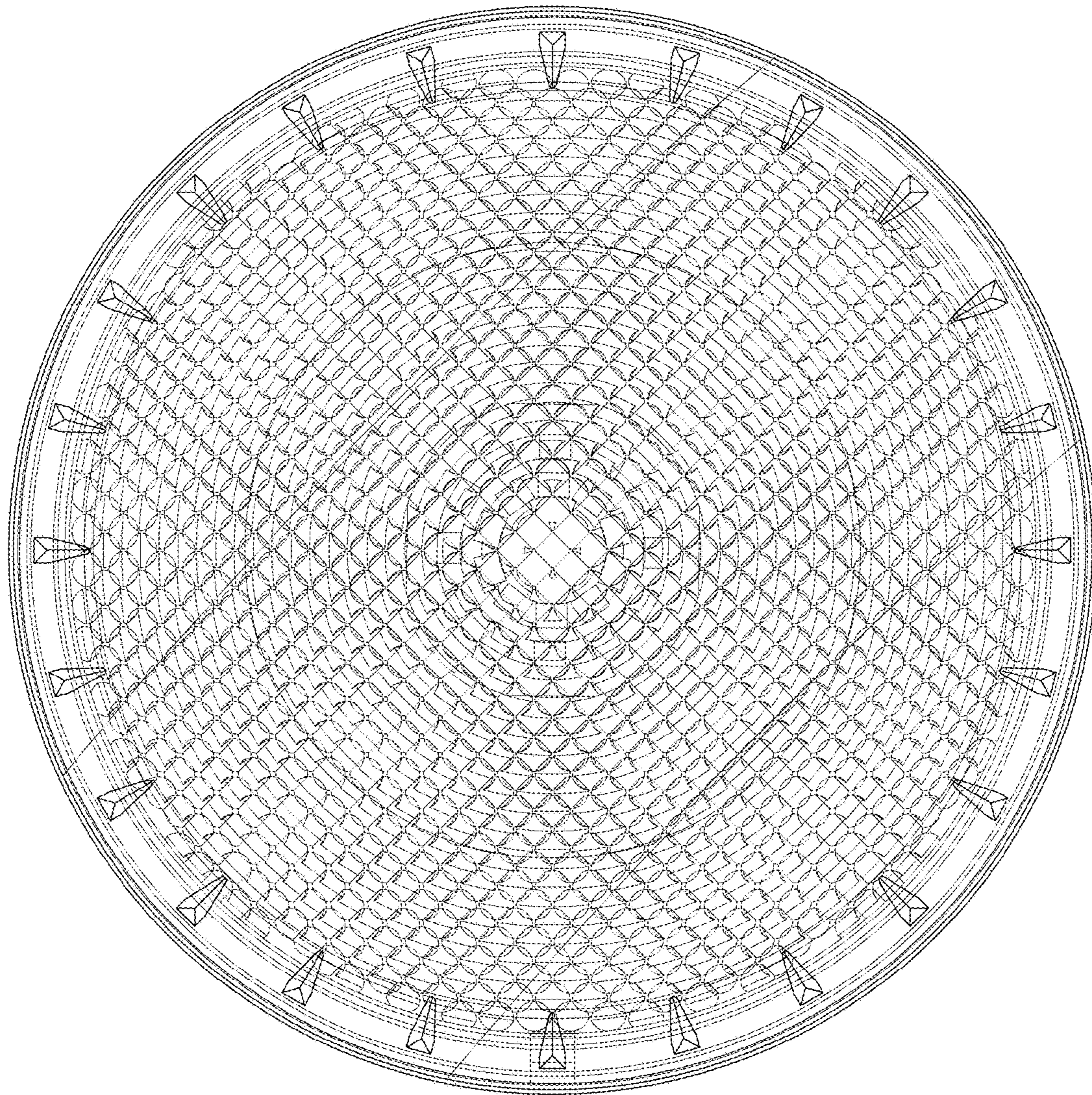


FIG. 6

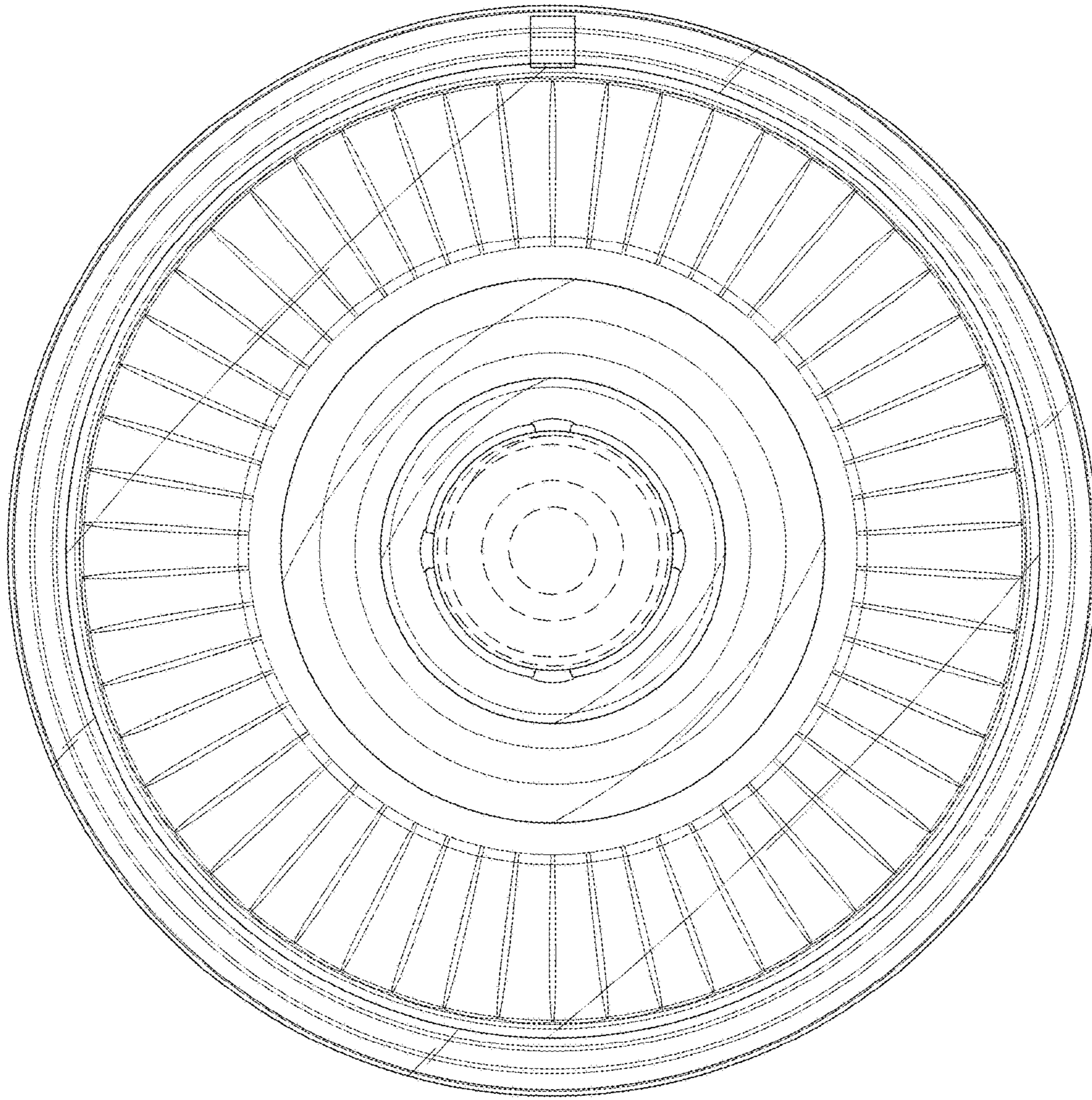


FIG. 7



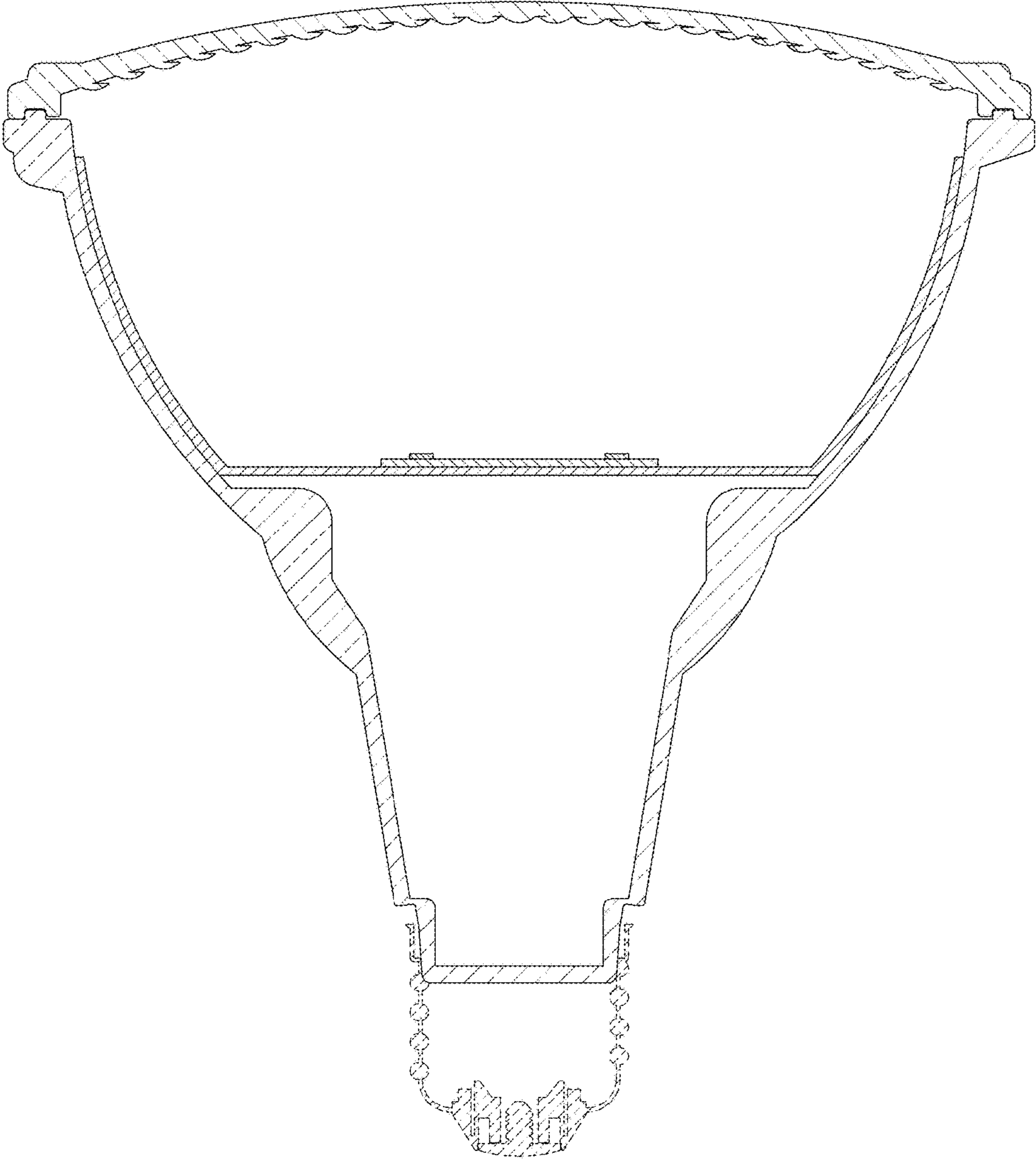


FIG. 8

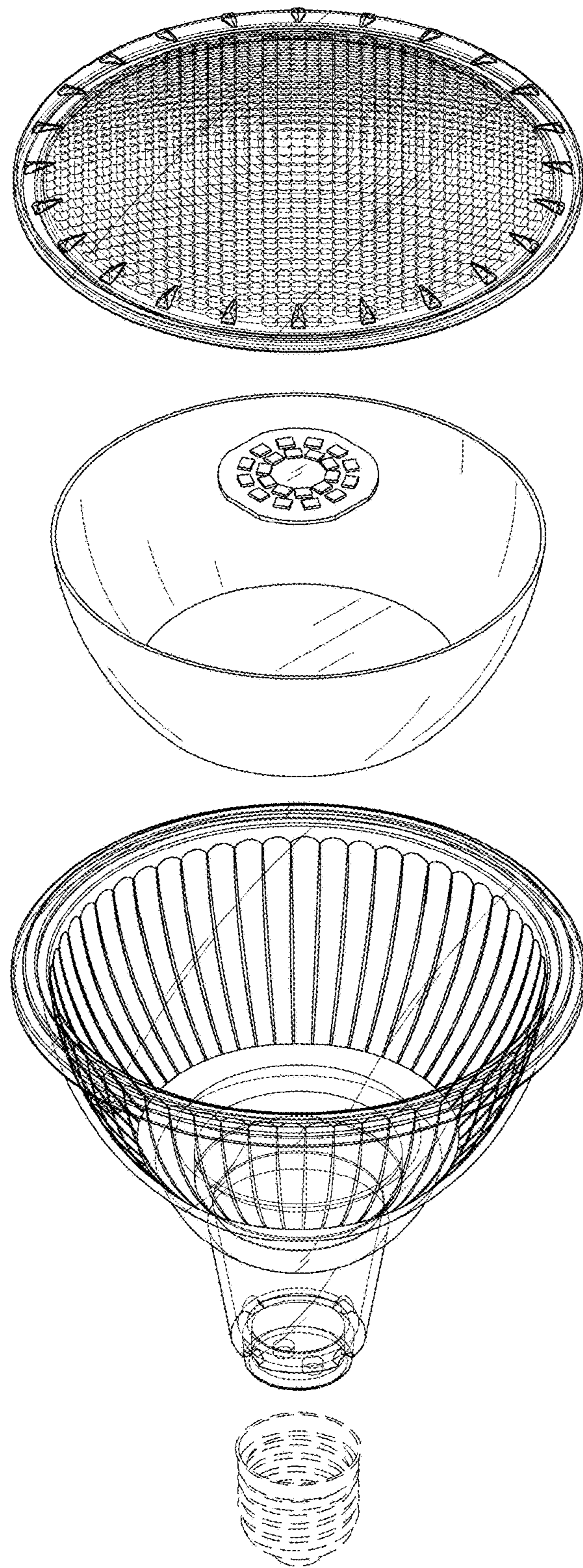


FIG. 9

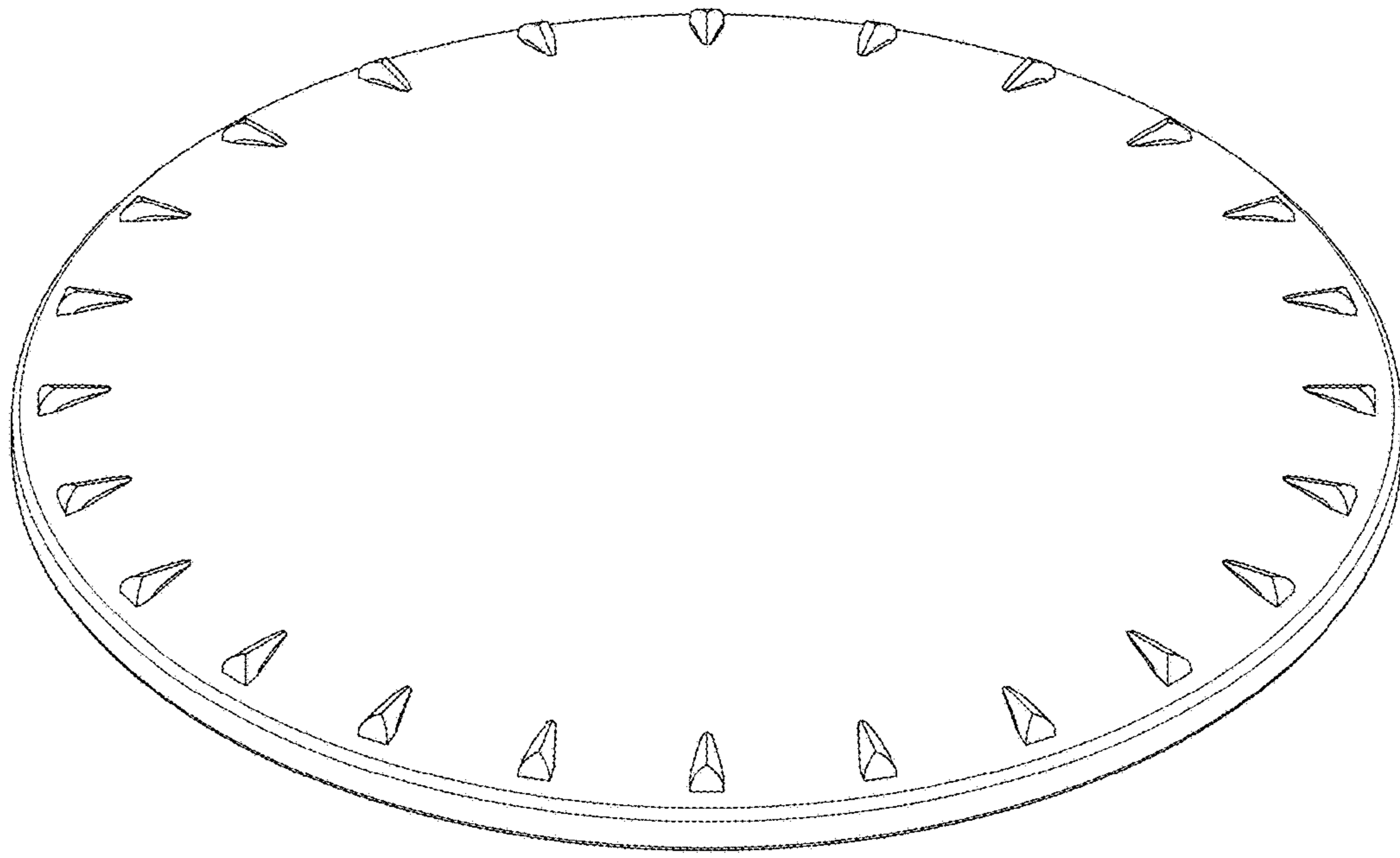


FIG. 10

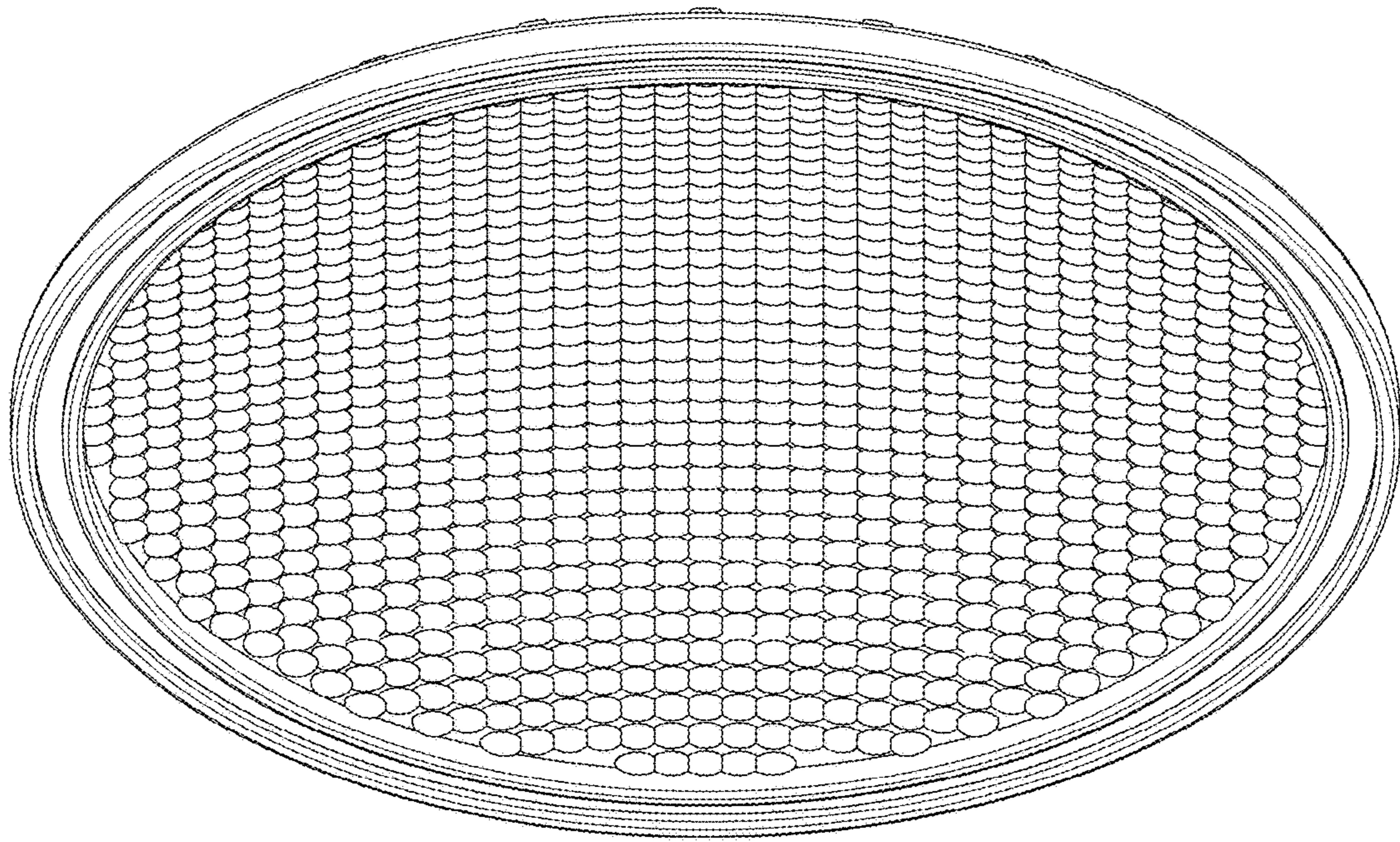


FIG. 11

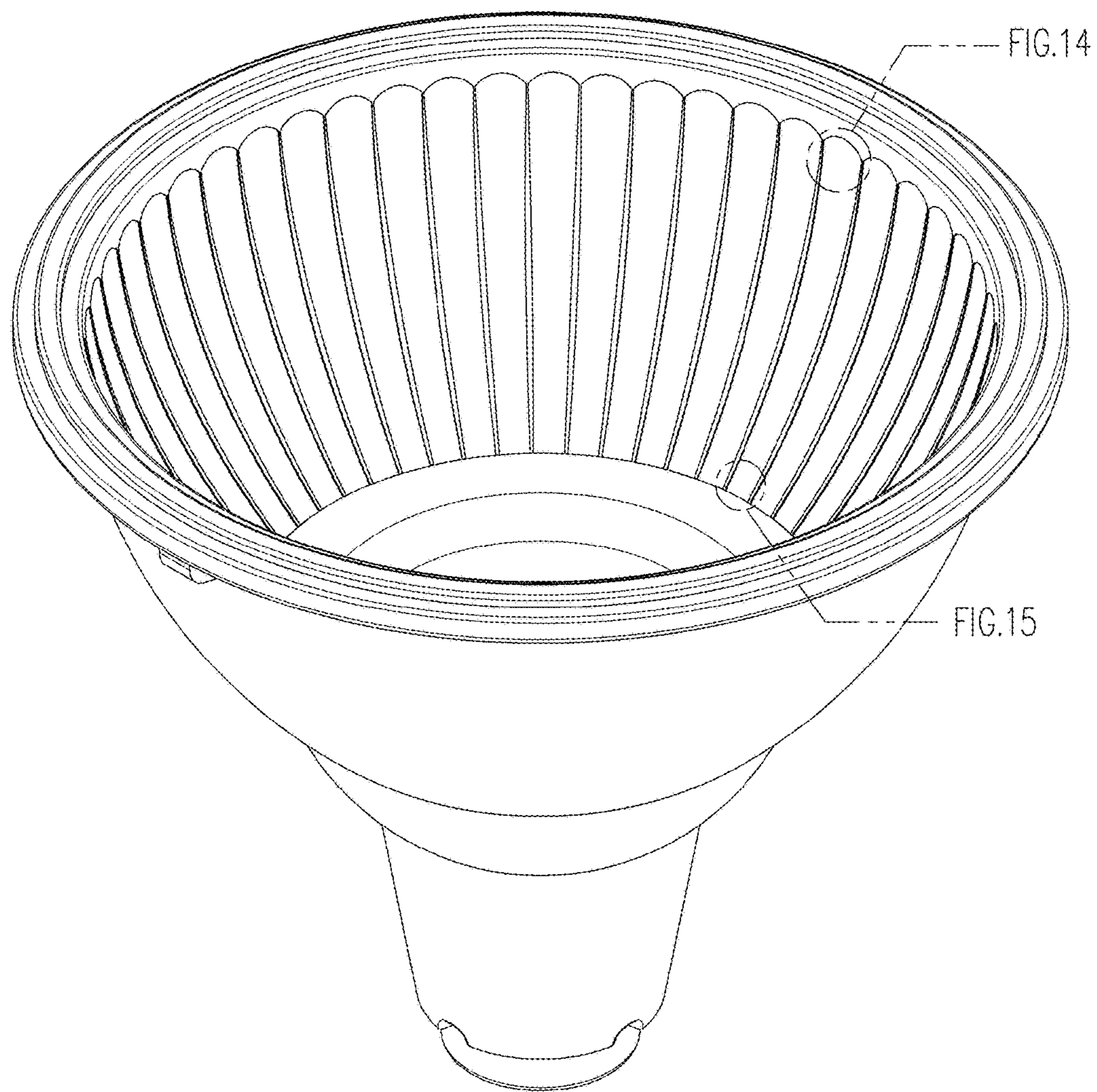


FIG. 12

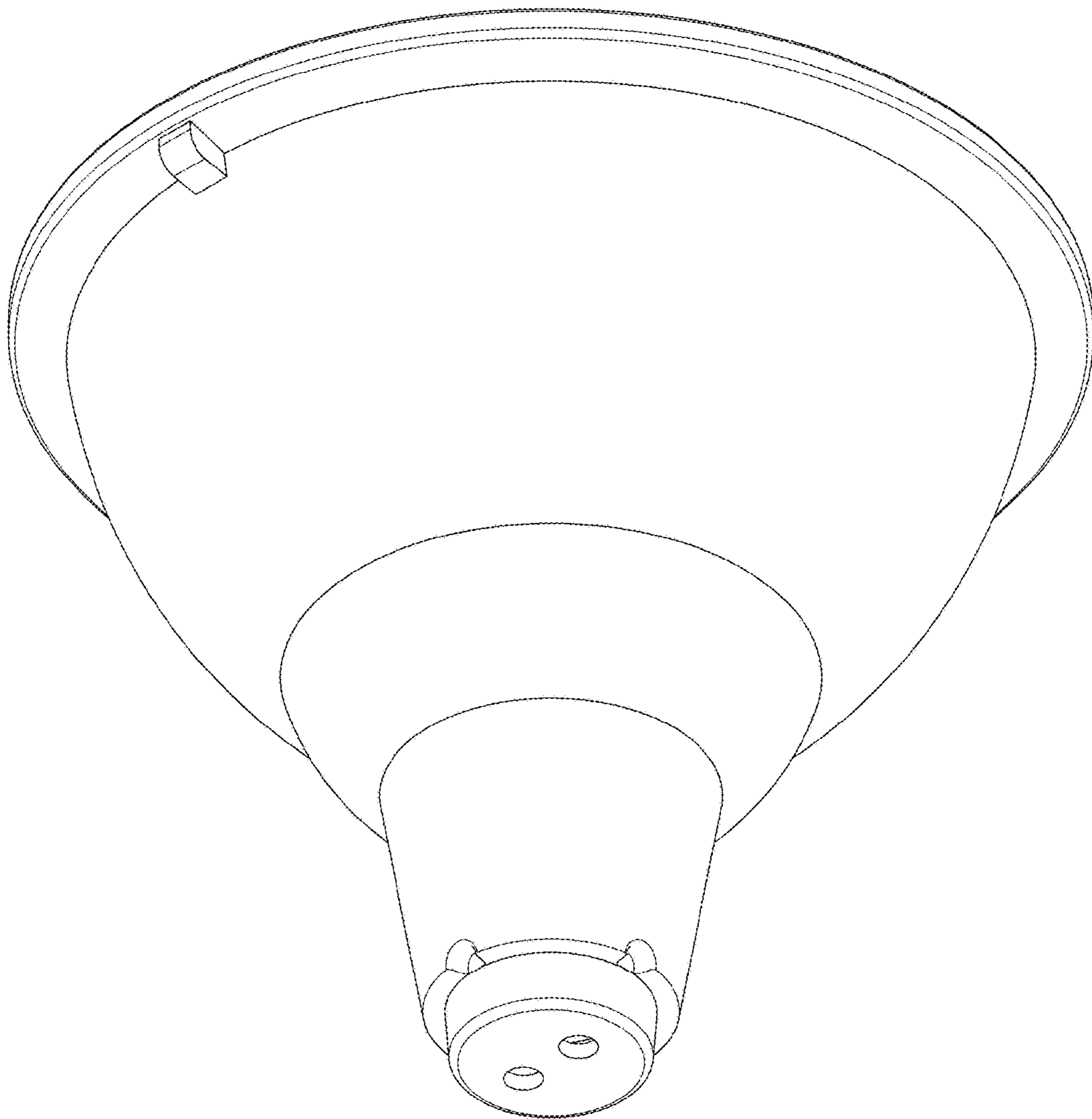


FIG. 13

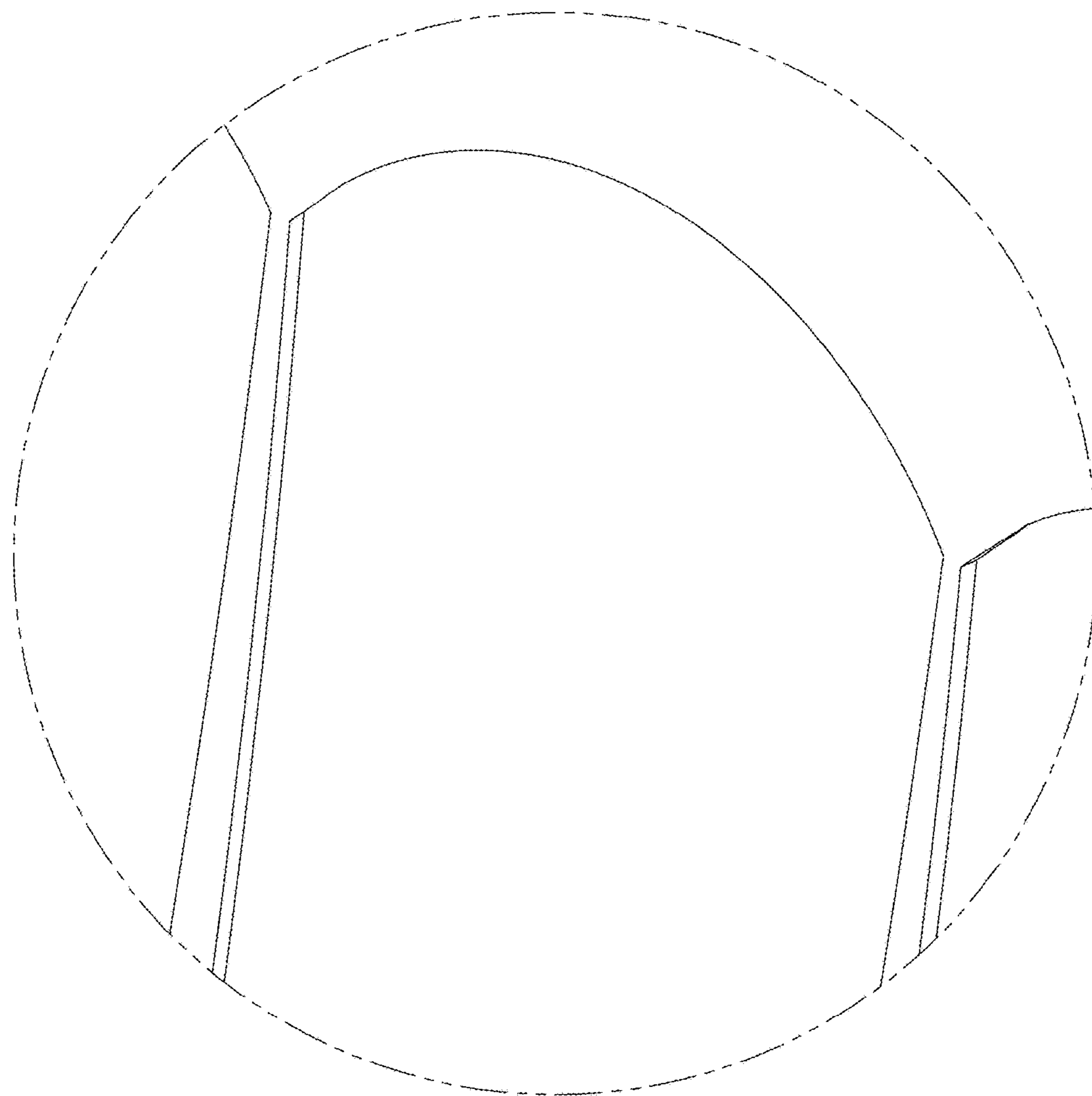


FIG. 14

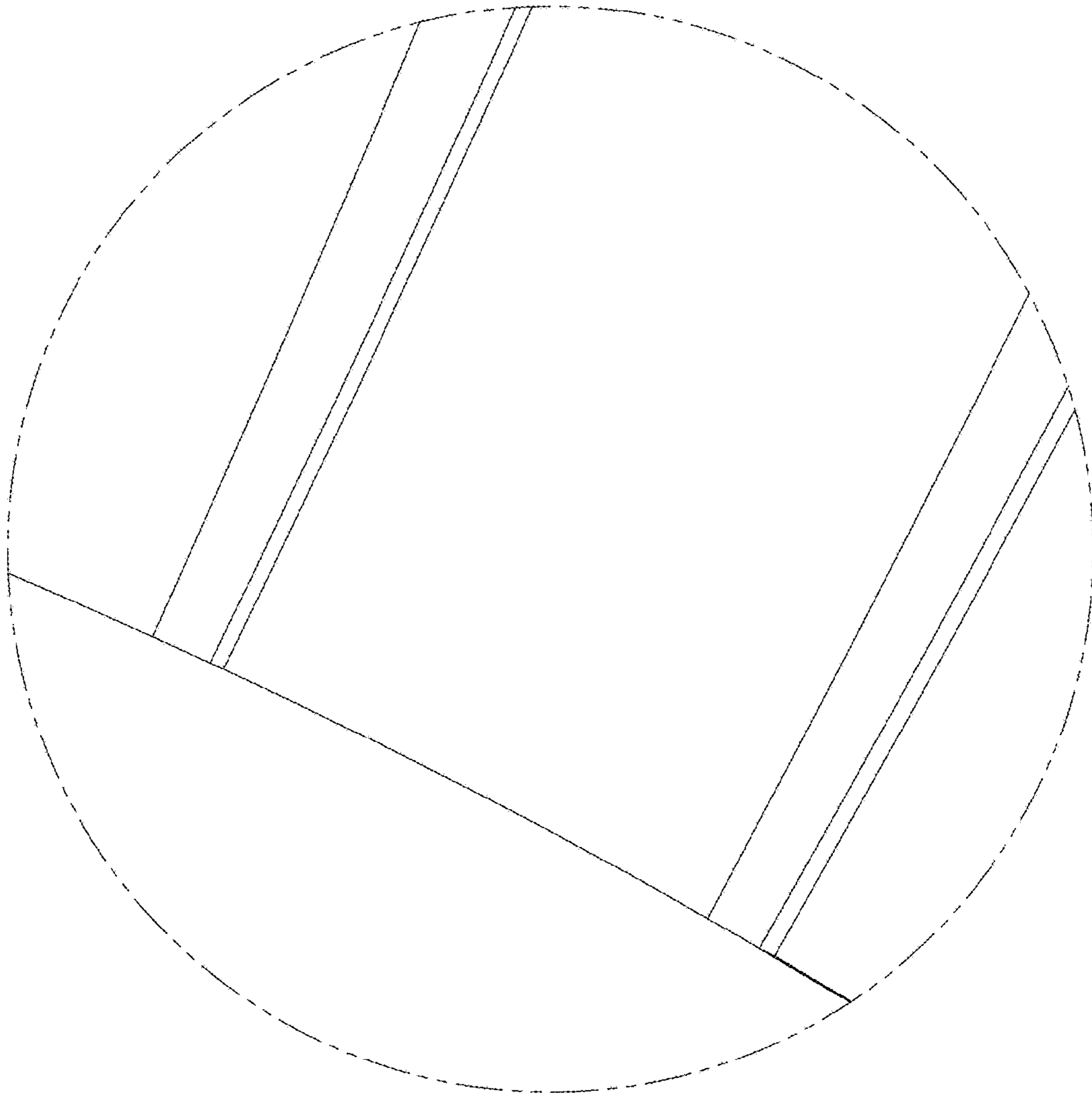


FIG. 15