

US00D862744S

(12) **United States Design Patent** (10) **Patent No.:** **US D862,744 S**
Chen (45) **Date of Patent:** **** Oct. 8, 2019**

(54) **LIGHT BULB**

(71) Applicant: **Zhou Chen**, Hu Nan (CN)
(72) Inventor: **Zhou Chen**, Hu Nan (CN)
(73) Assignee: **Shenzhen Yaan International Trade Co., Ltd**, Shenzhen, Guangdong (CN)

(**) Term: **15 Years**

(21) Appl. No.: **29/641,985**

(22) Filed: **Mar. 27, 2018**

(51) **LOC (12) Cl.** **26-04**

(52) **U.S. Cl.**
USPC **D26/2**

(58) **Field of Classification Search**
USPC D26/1-4
CPC H01R 5/00; H01R 13/46; H01R 13/514;
H01R 31/048; H01R 31/02; H01J 5/00;
H01J 5/16; H01J 1/02; H01J 15/00; H01J
5/48; H01J 5/50; H01J 19/04; F21V 5/00;
F21K 9/00; F21K 13/00

See application file for complete search history.

(56) **References Cited**

U.S. PATENT DOCUMENTS

D471,294 S *	3/2003	Bobel	D26/2
D487,939 S *	3/2004	Smith	D26/2
D494,688 S *	8/2004	Van de Ven	D26/2
D500,872 S *	1/2005	Foo	D26/2
D534,665 S *	1/2007	Egawa	D26/2

* cited by examiner

Primary Examiner — Marcus A Jackson

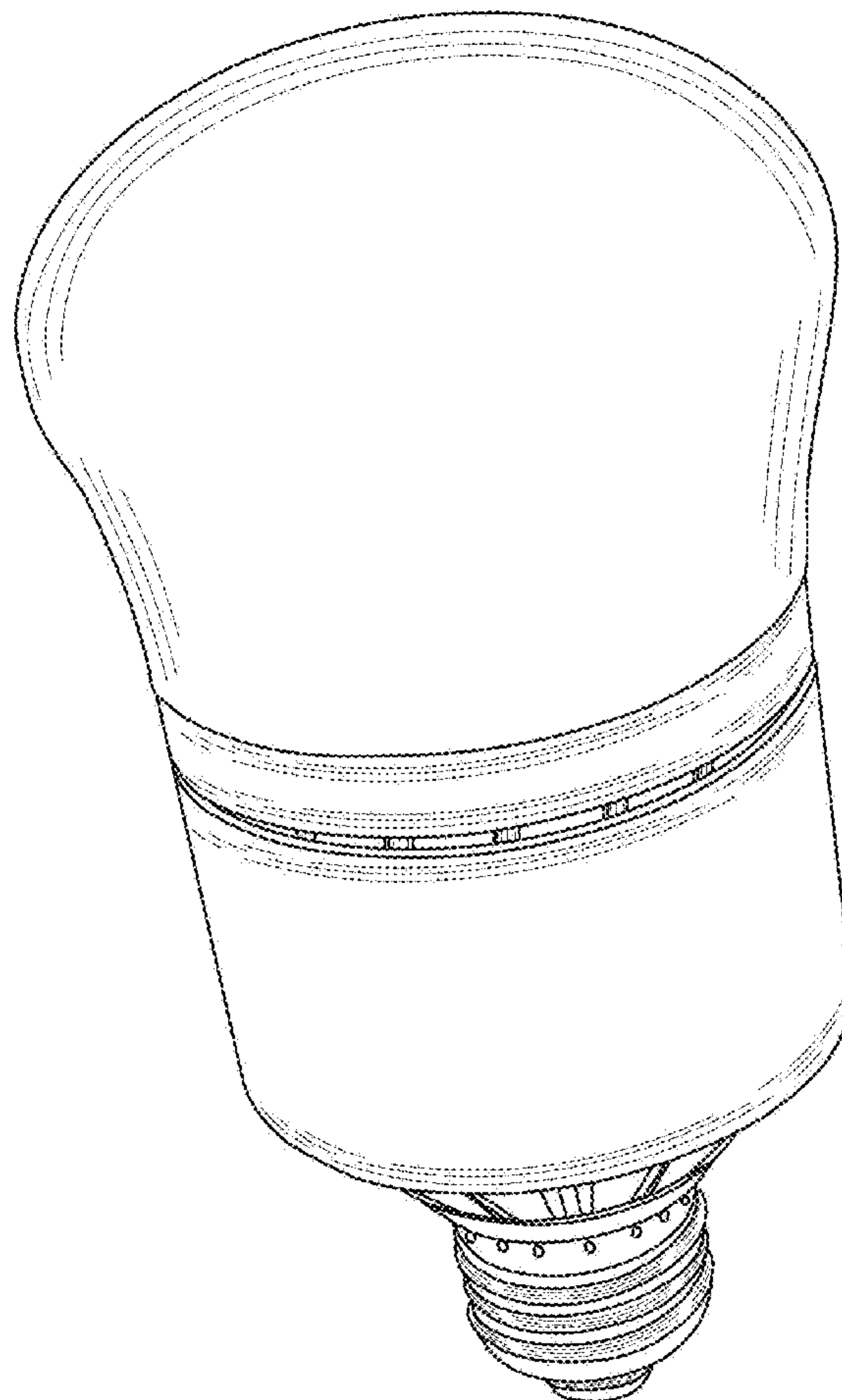
(57) **CLAIM**

The ornamental design for a light bulb, as shown and described.

DESCRIPTION

FIG. 1 is a perspective view of a light bulb showing my new design;
FIG. 2 is a front elevational view thereof;
FIG. 3 is a rear elevational view thereof;
FIG. 4 is a left side elevational view thereof;
FIG. 5 is a right side elevational view thereof;
FIG. 6 is a top plan view thereof; and,
FIG. 7 is a bottom plan view thereof.

1 Claim, 7 Drawing Sheets



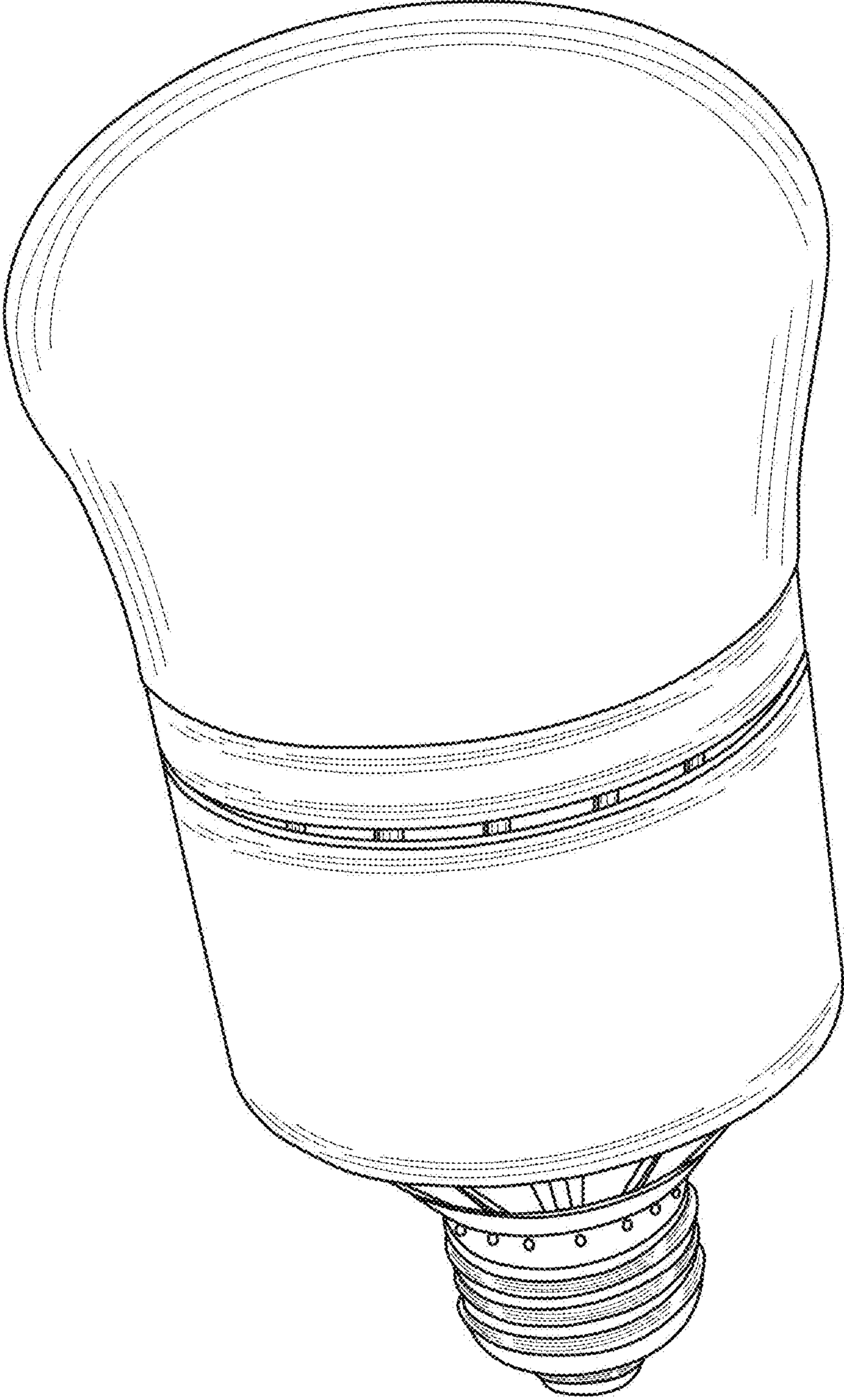


FIG.1

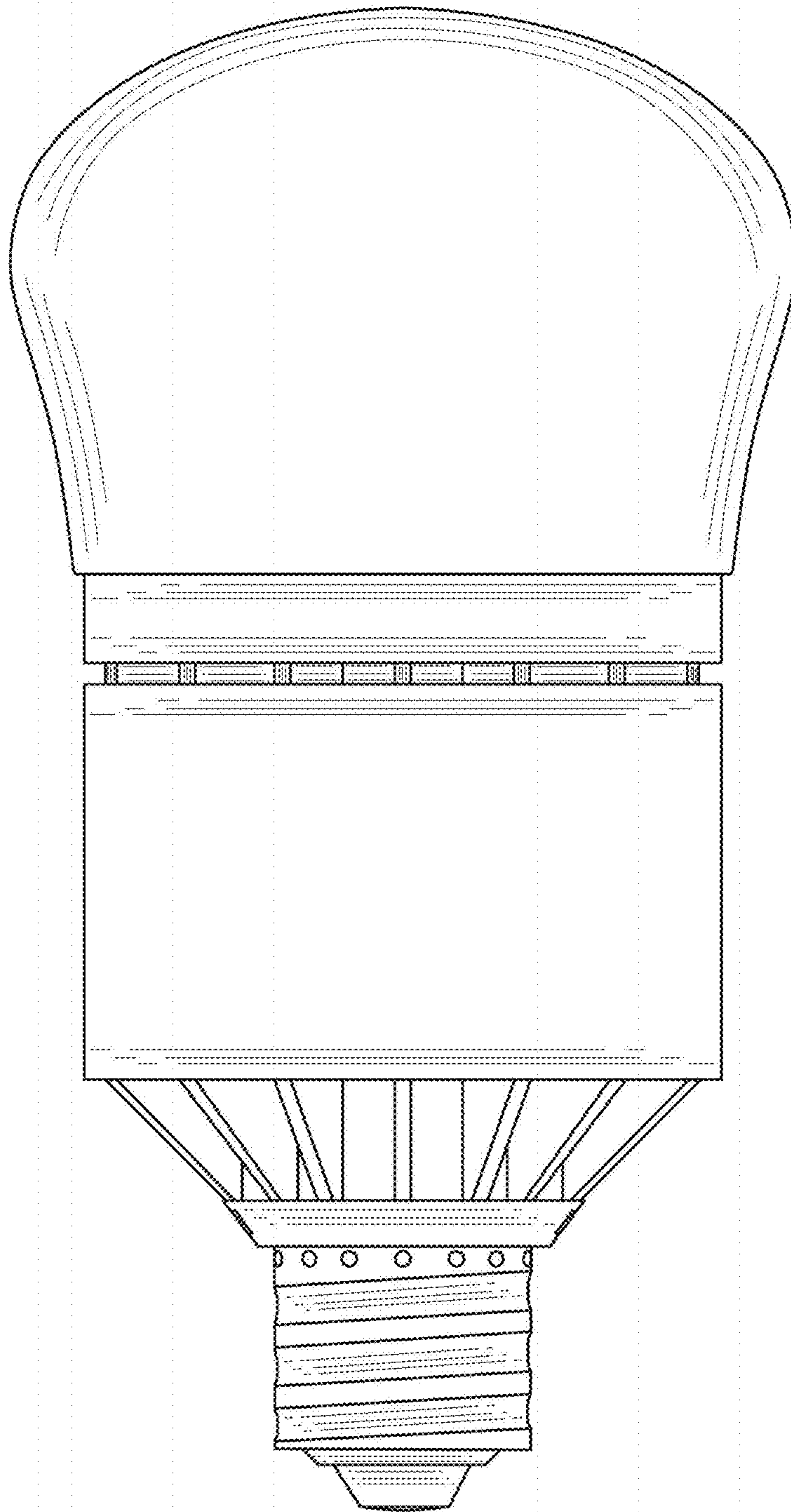


FIG.2

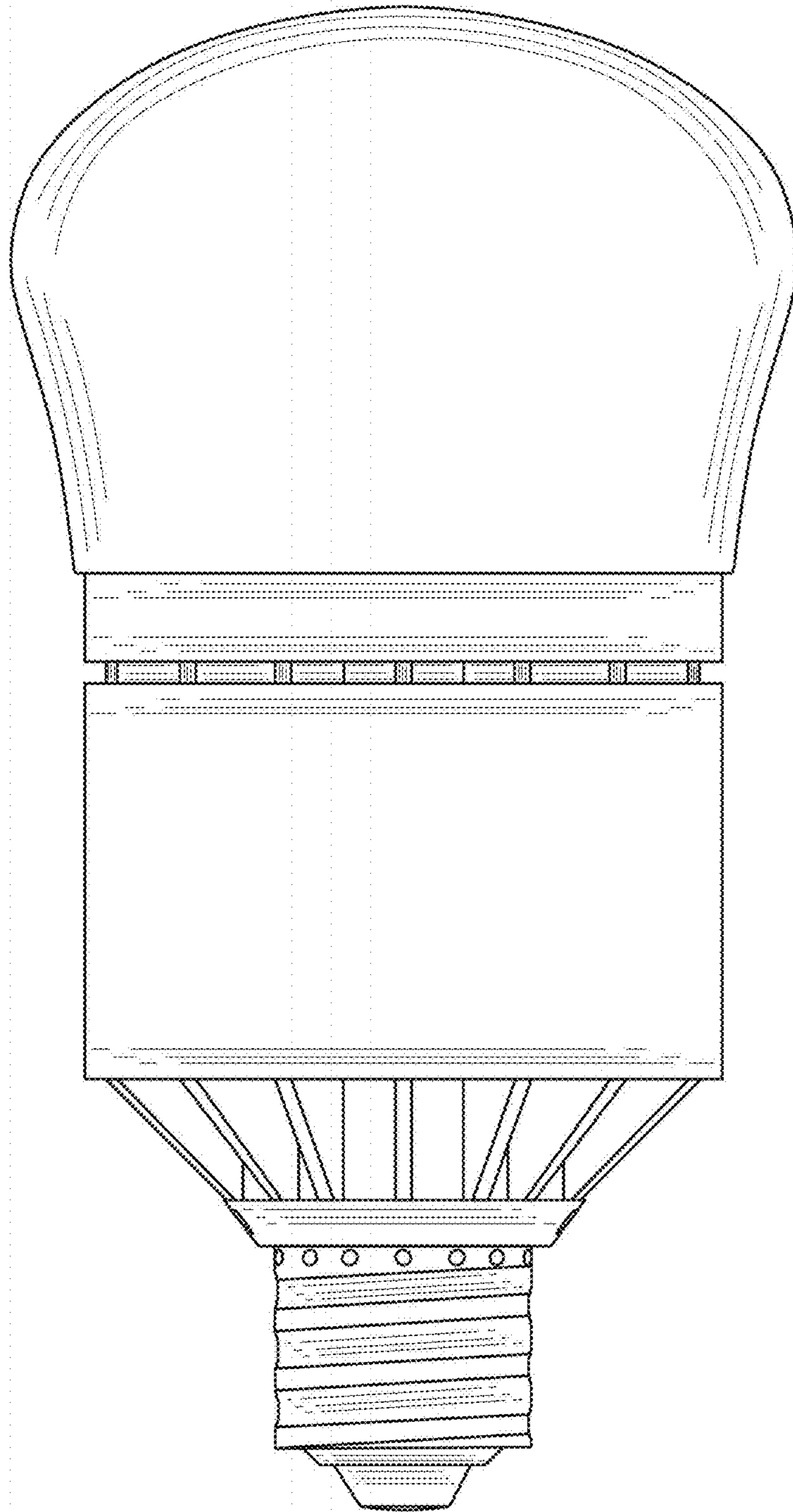


FIG.3

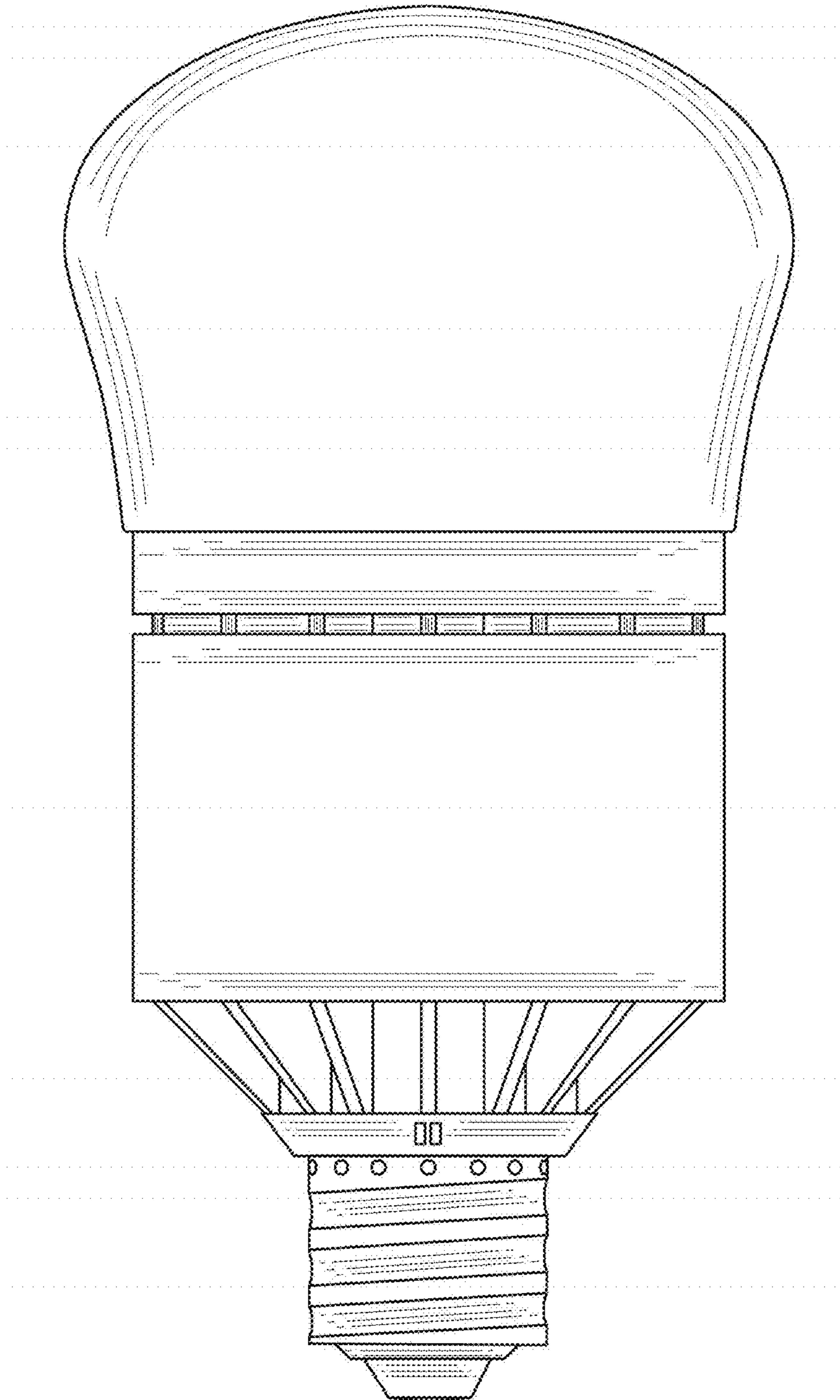


FIG. 4

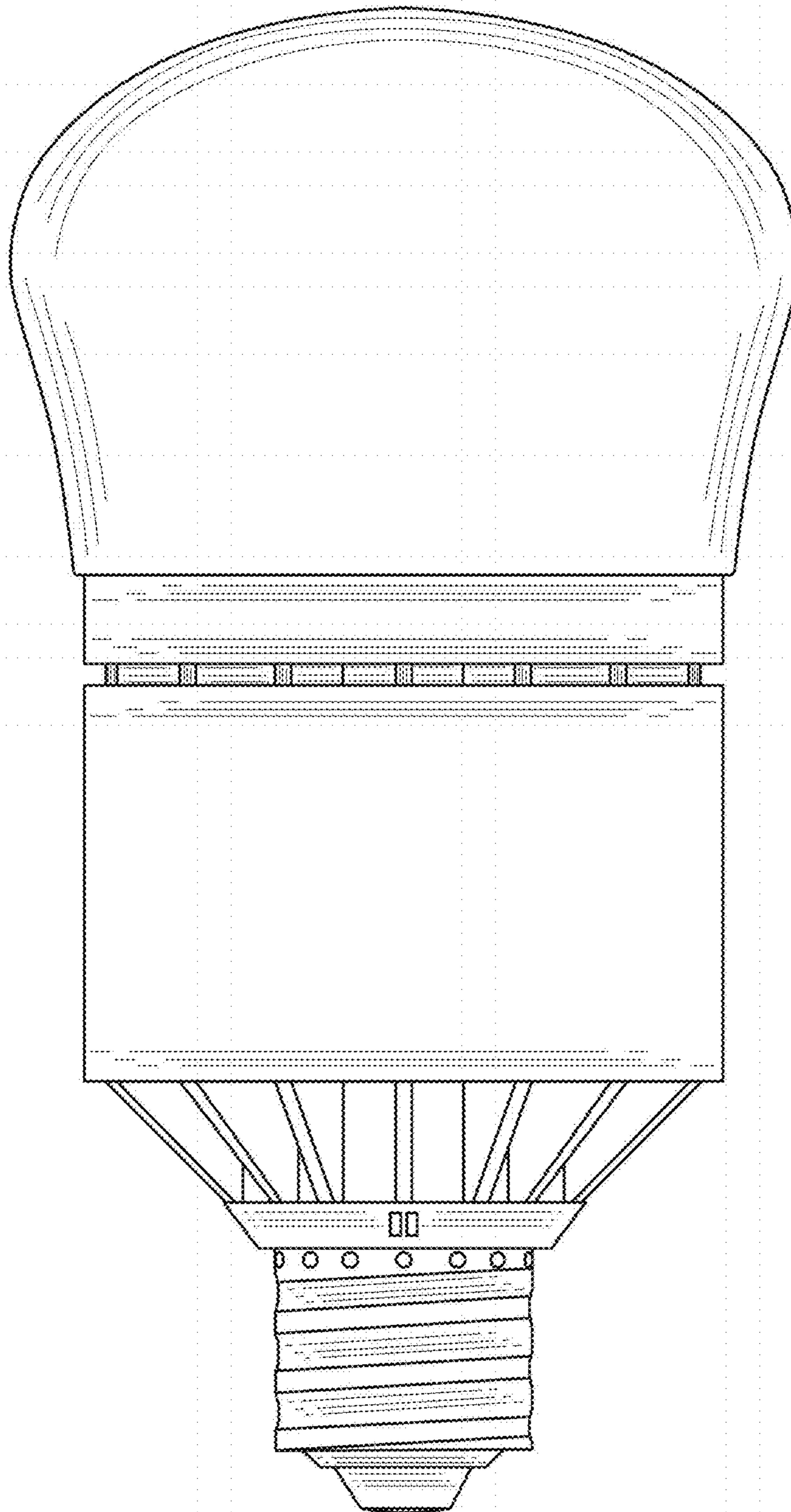


FIG. 5

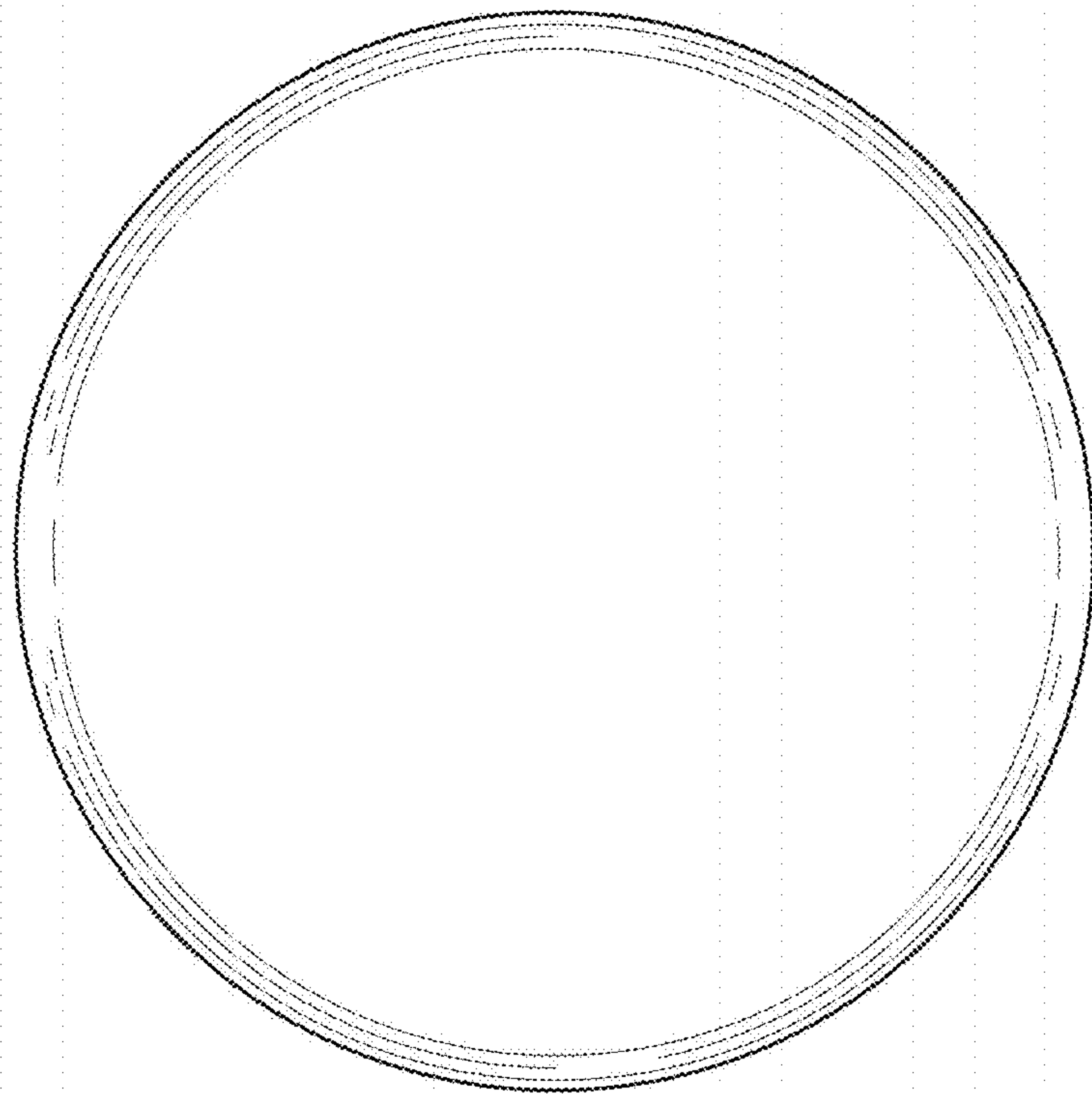


FIG.6

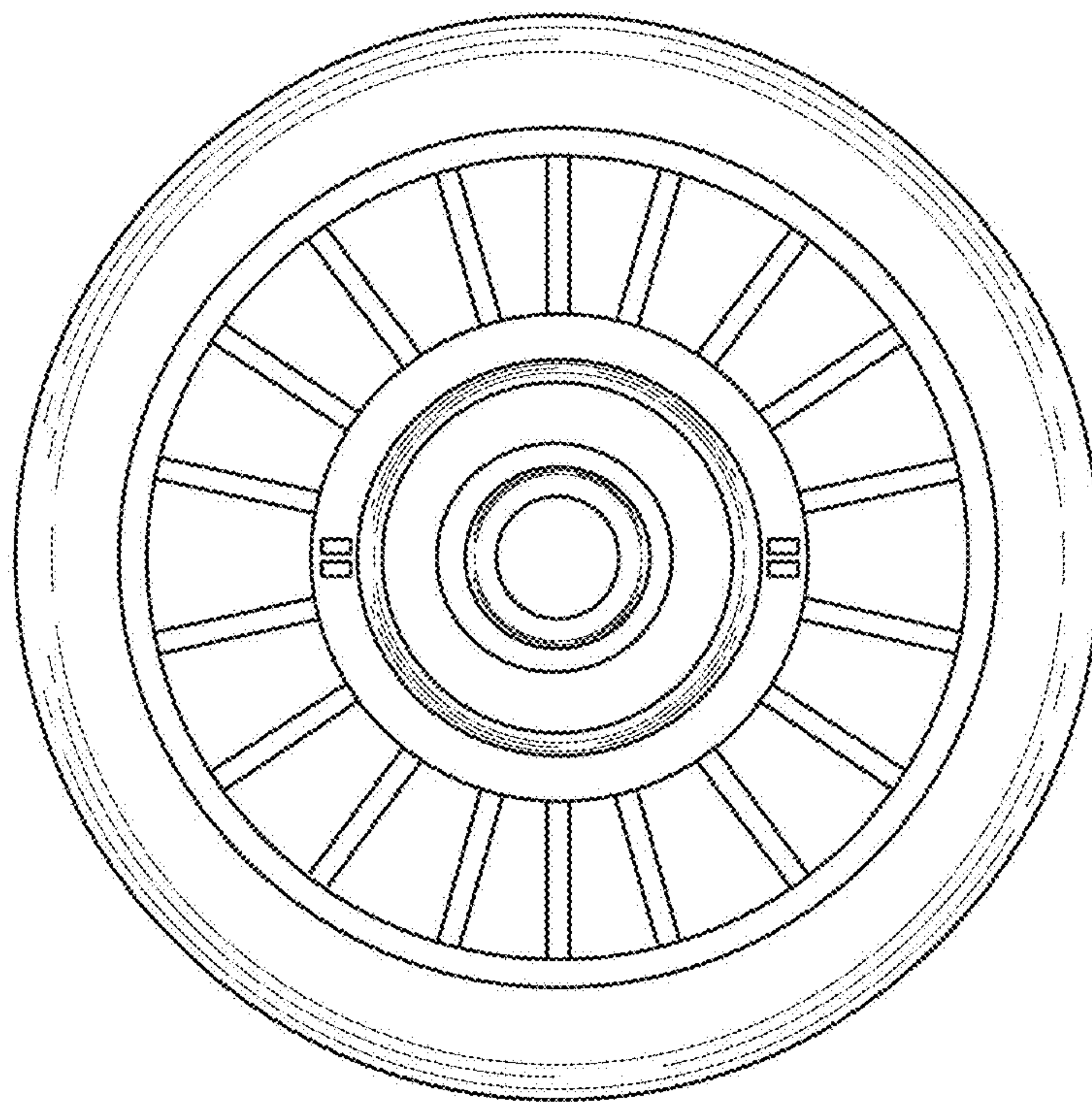


FIG.7