

US00D862742S

(12) **United States Design Patent**
Webb

(10) **Patent No.:** **US D862,742 S**

(45) **Date of Patent:** **** Oct. 8, 2019**

(54) **LED BULB**

(71) Applicant: **Marklyn Group Inc.**, Brampton (CA)

(72) Inventor: **David Blair Webb**, Brampton (CA)

(73) Assignee: **MARKLYN GROUP INC.**, Brampton (CA)

(**) Term: **15 Years**

(21) Appl. No.: **29/636,529**

(22) Filed: **Feb. 8, 2018**

(51) **LOC (12) Cl.** **26-04**

(52) **U.S. Cl.**
USPC **D26/2**

(58) **Field of Classification Search**
USPC D26/1-4, 28
CPC H01R 5/00; H01R 13/46; H01R 13/514;
H01R 31/048; H01R 31/02; H01J 5/00;
H01J 5/16; H01J 1/02; H01J 15/00; H01J
5/48; H01J 5/50; H01J 19/54; F21V 5/00;
F21K 9/00; F21K 13/00

See application file for complete search history.

(56) **References Cited**

U.S. PATENT DOCUMENTS

D402,772 S * 12/1998 Lodhie D26/26
D458,696 S * 6/2002 Katogi D26/2
D492,804 S * 7/2004 Horowitz D26/28

* cited by examiner

Primary Examiner — Marcus A Jackson

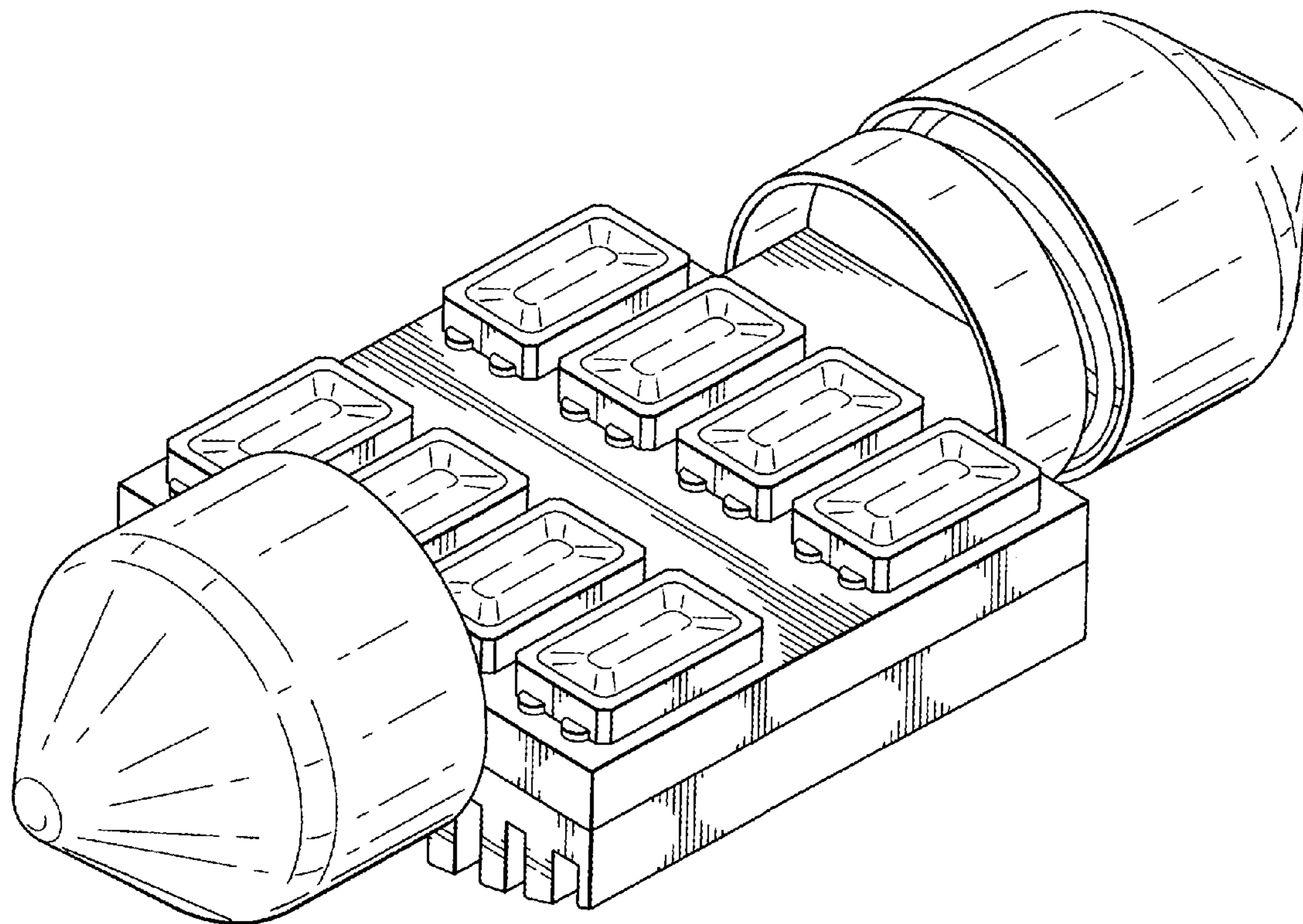
(57) **CLAIM**

The ornamental design for an LED bulb, as shown.

DESCRIPTION

FIG. 1 is an isometric top view of an LED bulb with endcap extended, showing my new design;
FIG. 2 is an isometric bottom view thereof;
FIG. 3 is an isometric top view of an LED bulb with endcap depressed;
FIG. 4 is a side elevational view thereof; and,
FIG. 5 is front sectional view 5-5, as indicated in FIG. 4, of an LED bulb.

1 Claim, 4 Drawing Sheets



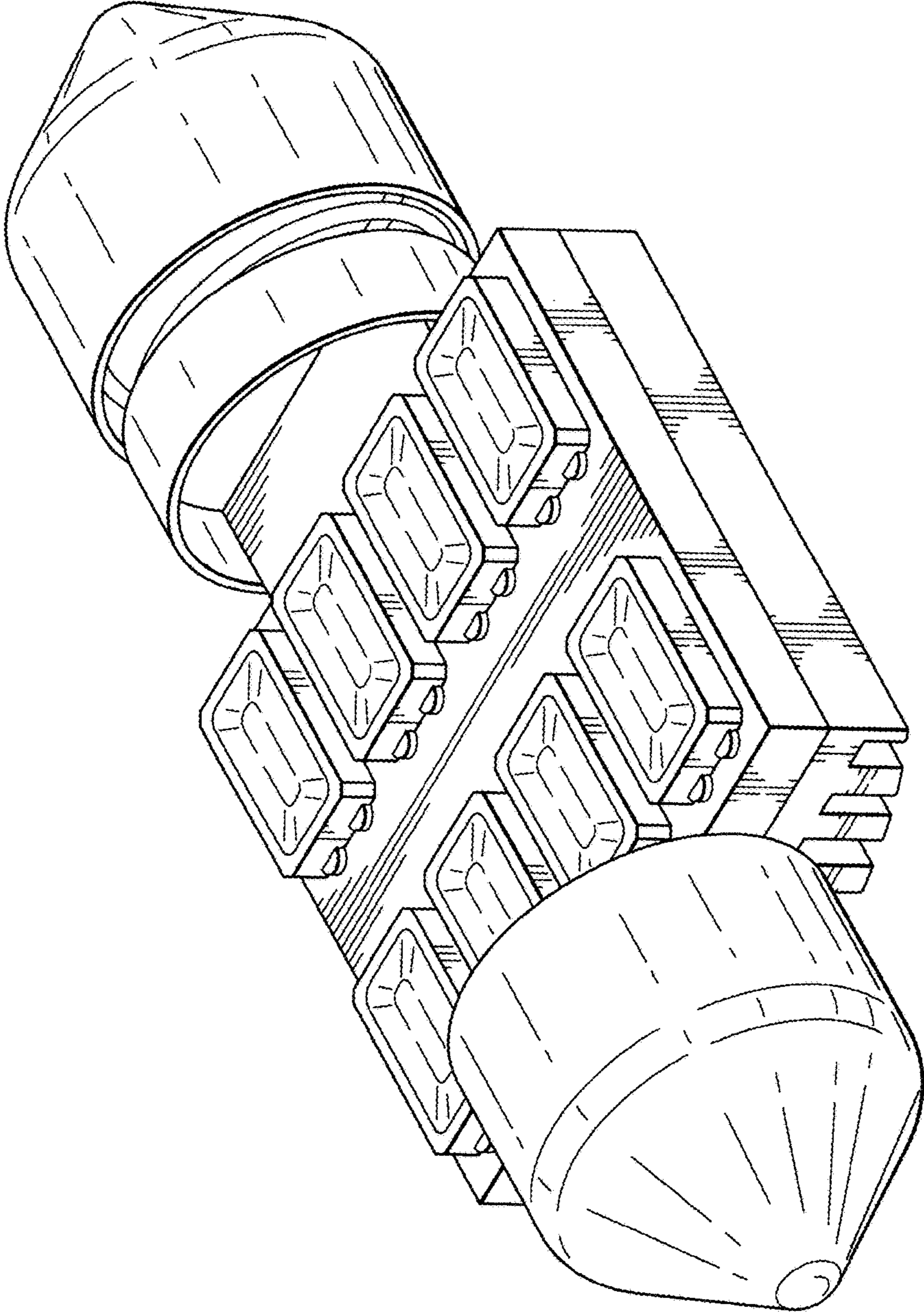


FIG. 1

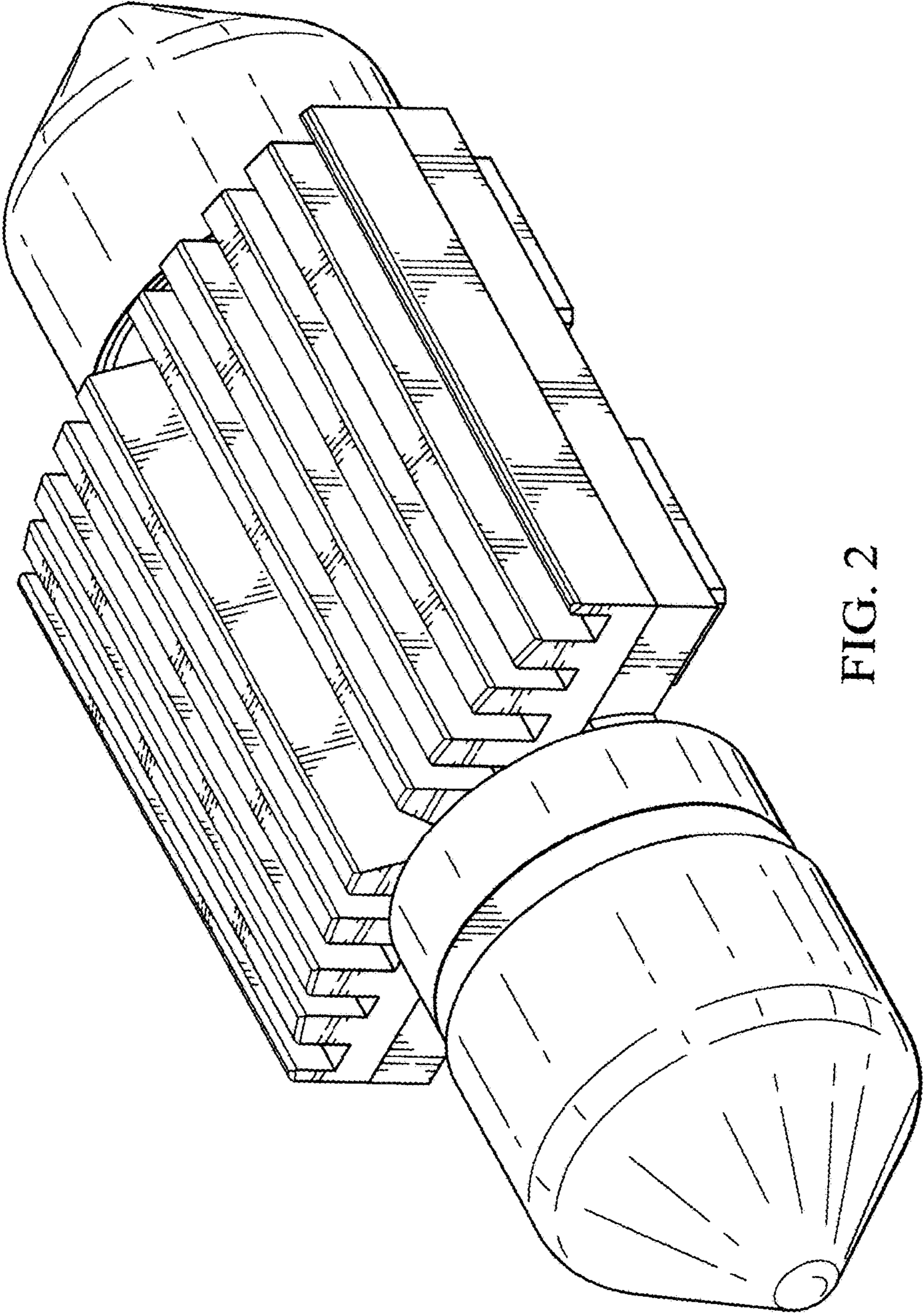


FIG. 2

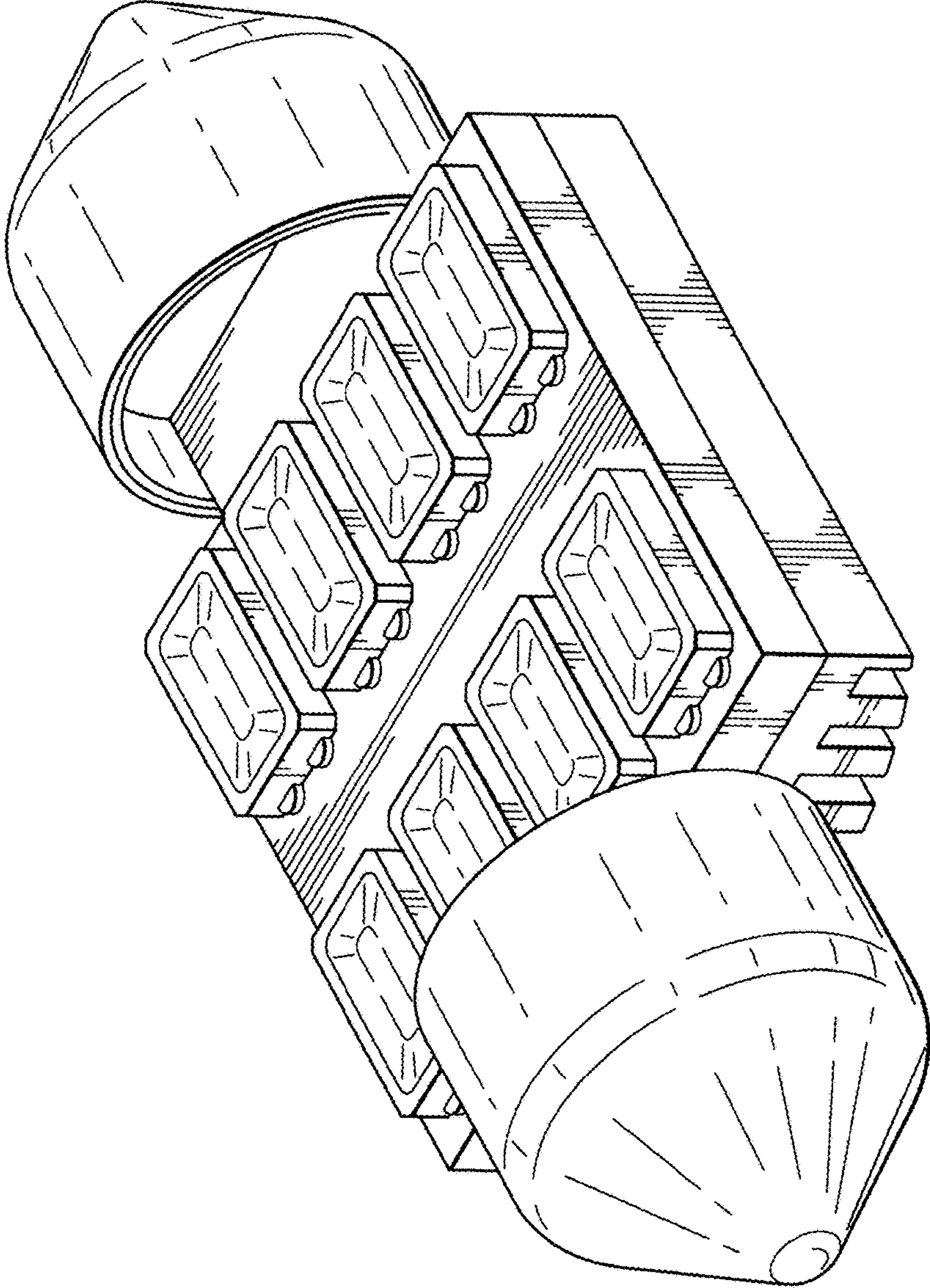


FIG. 3

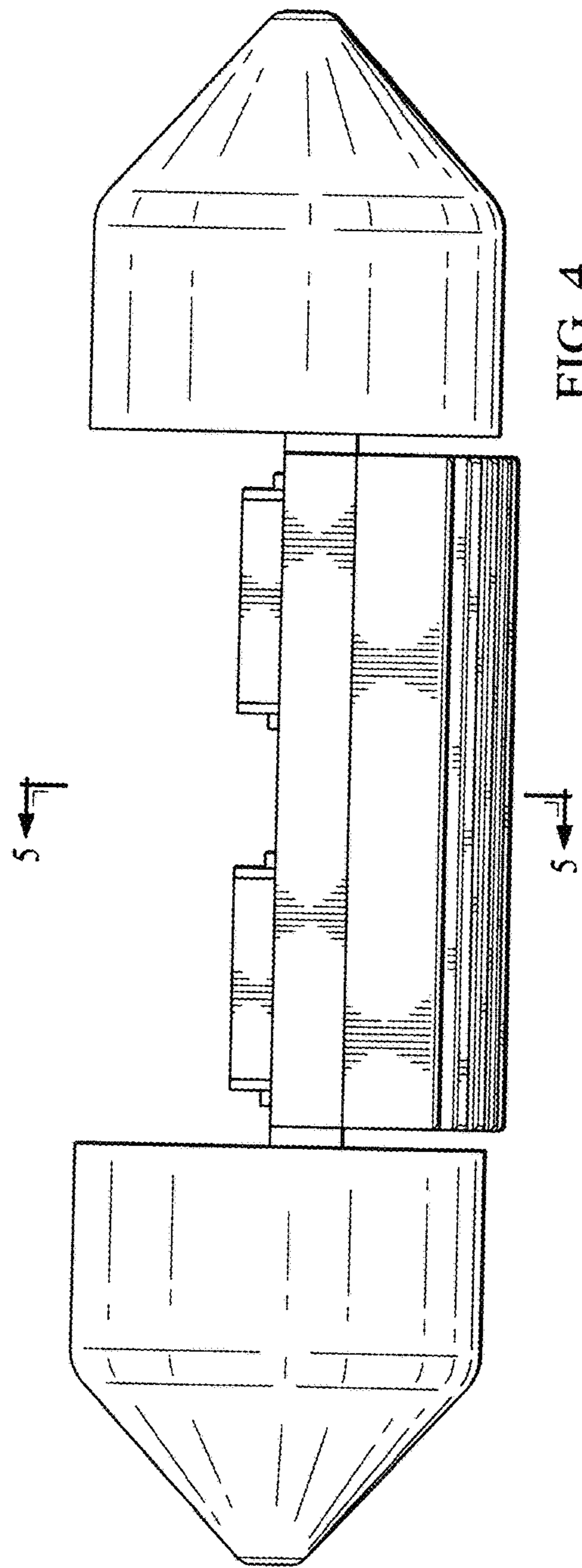


FIG. 4

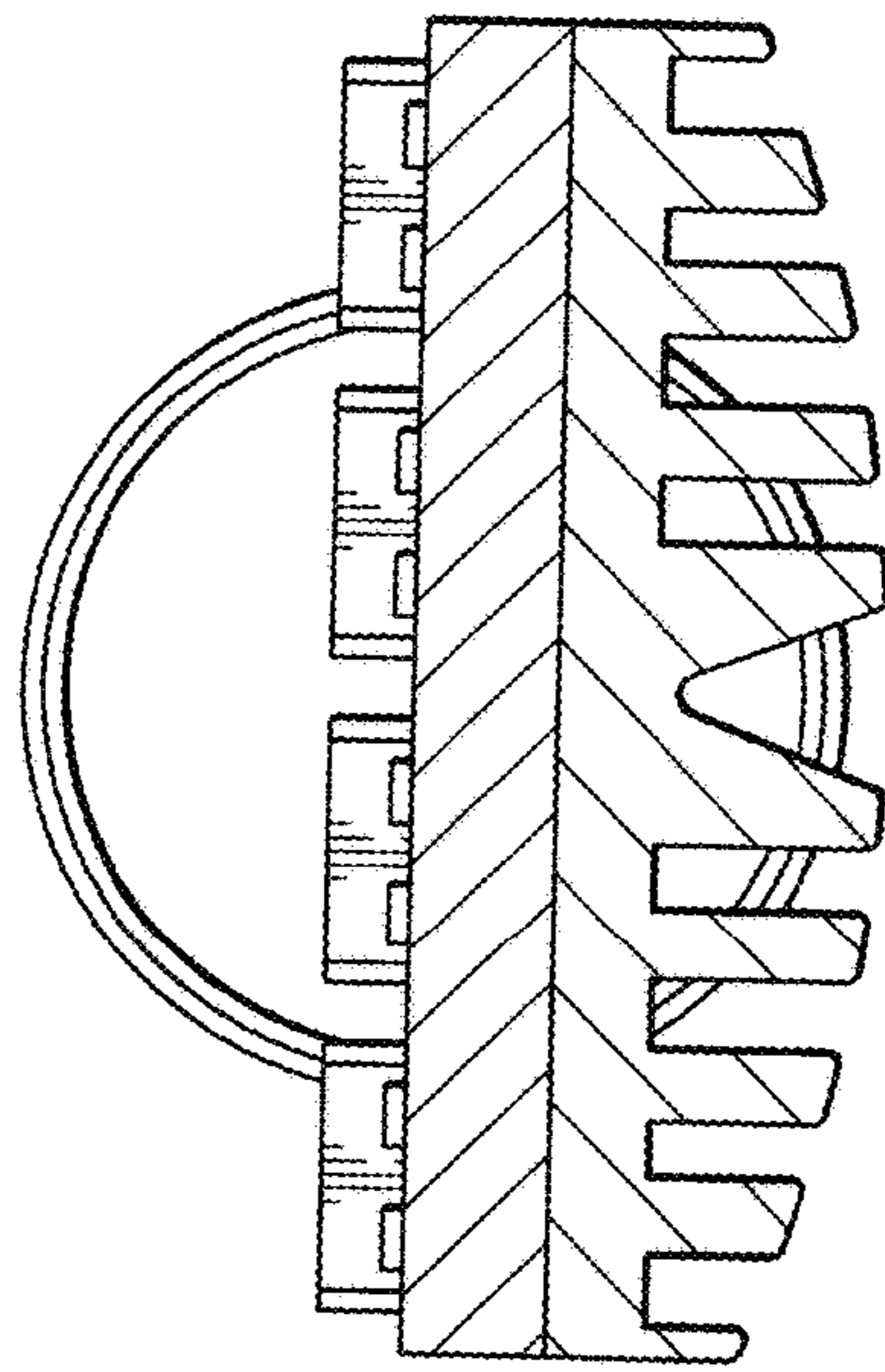


FIG. 5