



US00D862741S

(12) **United States Design Patent**
Cai

(10) **Patent No.:** **US D862,741 S**
(45) **Date of Patent:** **** Oct. 8, 2019**

(54) **LED LAMP**

(71) Applicant: **Guanlin Cai**, Guangdong (CN)

(72) Inventor: **Guanlin Cai**, Guangdong (CN)

(**) Term: **15 Years**

(21) Appl. No.: **29/629,556**

(22) Filed: **Dec. 14, 2017**

(51) **LOC (12) Cl.** **26-04**

(52) **U.S. Cl.**
USPC **D26/2**

(58) **Field of Classification Search**
USPC D26/1-4
CPC H01R 13/514; H01R 13/46; H01R 31/048;
H01R 13/02; H01J 5/00; H01J 5/16;
H01J 1/02; H01J 15/00; H01J 5/48; H01J
5/50; F21V 5/00; F21K 9/00; F21K 13/00
See application file for complete search history.

(56) **References Cited**

U.S. PATENT DOCUMENTS

D284,792 S *	7/1986	Thiry	D26/2
D307,805 S *	5/1990	Noe	D26/2
D321,762 S *	11/1991	Mujahid	D26/2
D352,120 S *	11/1994	Haraden	D26/2

* cited by examiner

Primary Examiner — Marcus A Jackson

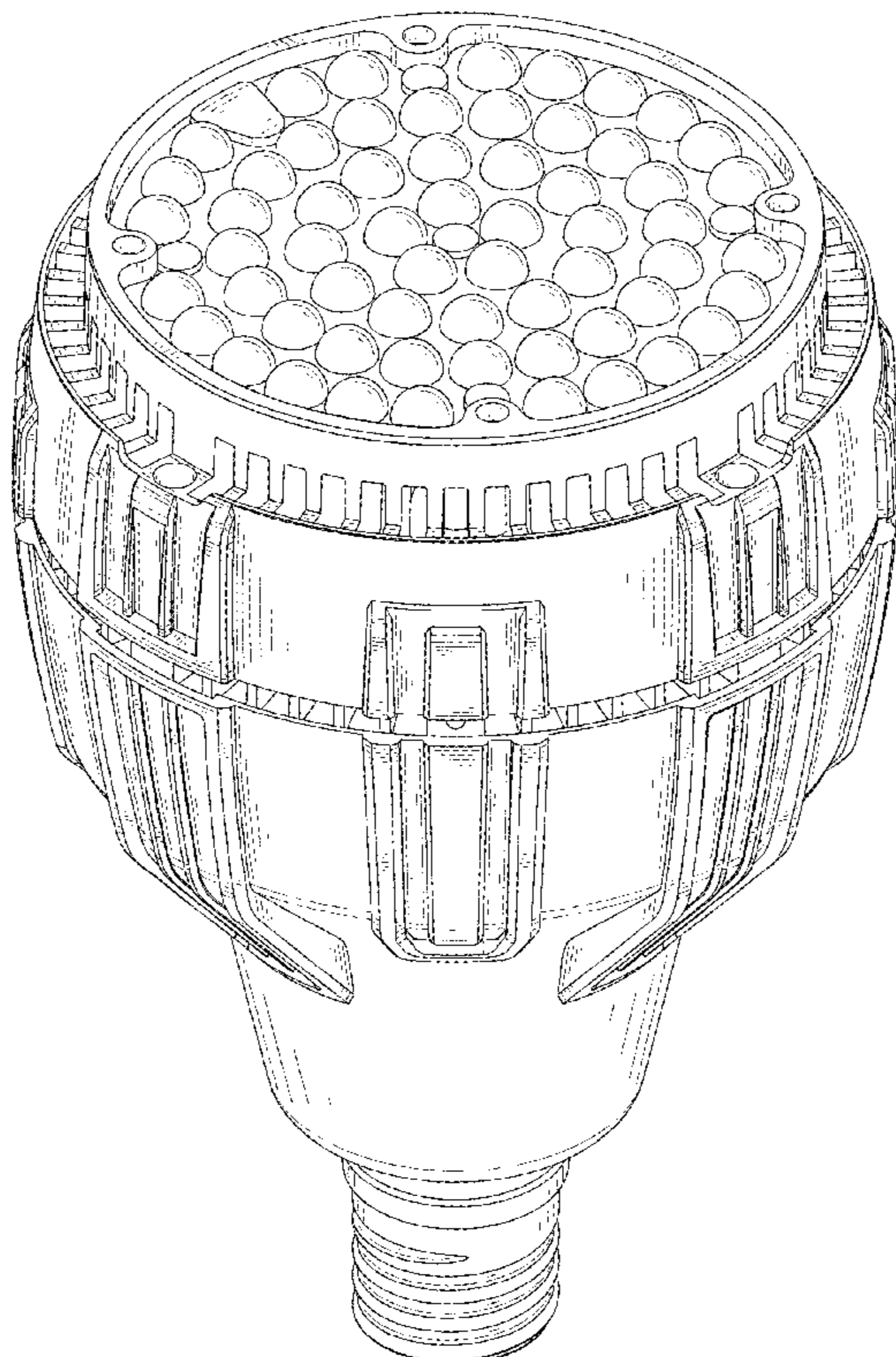
(57) **CLAIM**

The ornamental design for a LED lamp, as shown and described.

DESCRIPTION

FIG. 1 is a front elevational view of a LED lamp showing the first embodiment of my new design; FIG. 2 is a rear elevational view thereof; FIG. 3 is a left side view thereof; FIG. 4 is a right side view thereof; FIG. 5 is a top plan view thereof; FIG. 6 is a bottom plan view thereof; FIG. 7 is a perspective view thereof; FIG. 8 is a front elevational view of a LED lamp showing the second embodiment of my new design; FIG. 9 is a rear elevational view thereof; FIG. 10 is a left side view thereof; FIG. 11 is a right side view thereof; FIG. 12 is a top plan view thereof; FIG. 13 is a bottom plan view thereof; FIG. 14 is a perspective view thereof; FIG. 15 is a front elevational view of a LED lamp showing the third embodiment of my new design; FIG. 16 is a rear elevational view thereof; FIG. 17 is a left side view thereof; FIG. 18 is a right side view thereof; FIG. 19 is a top plan view thereof; FIG. 20 is a bottom plan view thereof; and, FIG. 21 is a perspective view thereof.

1 Claim, 20 Drawing Sheets



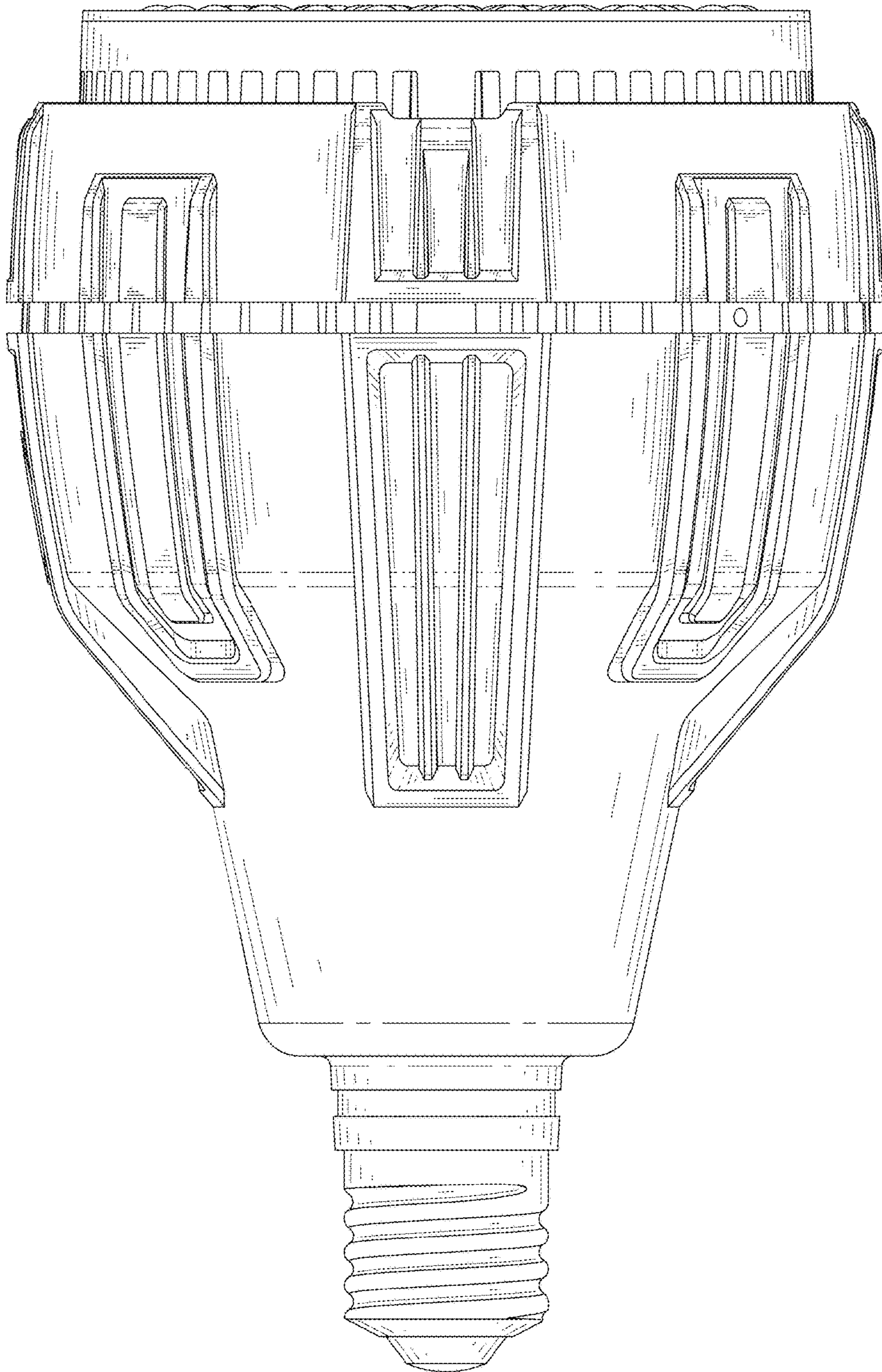


FIG. 1

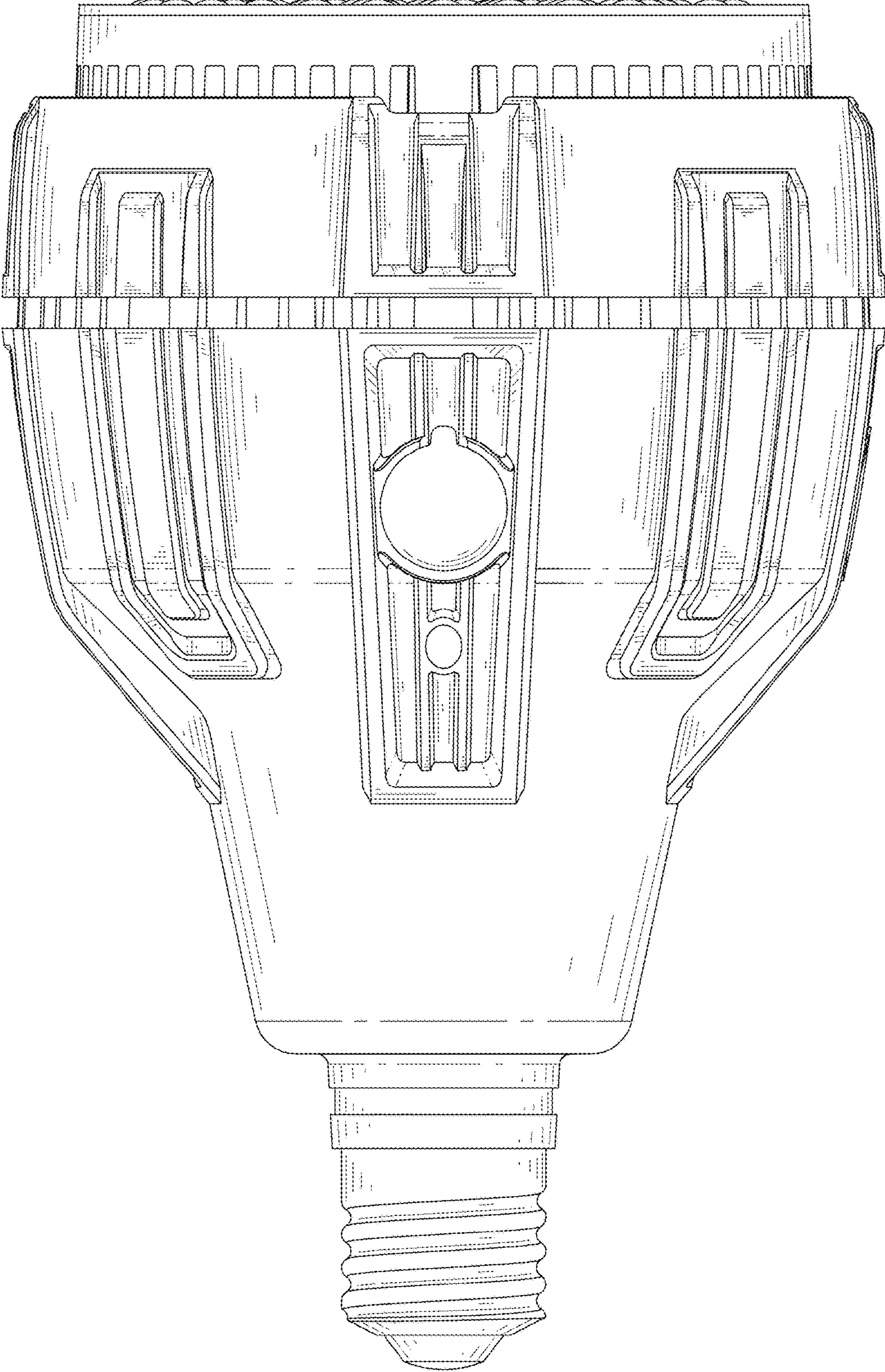


FIG. 2

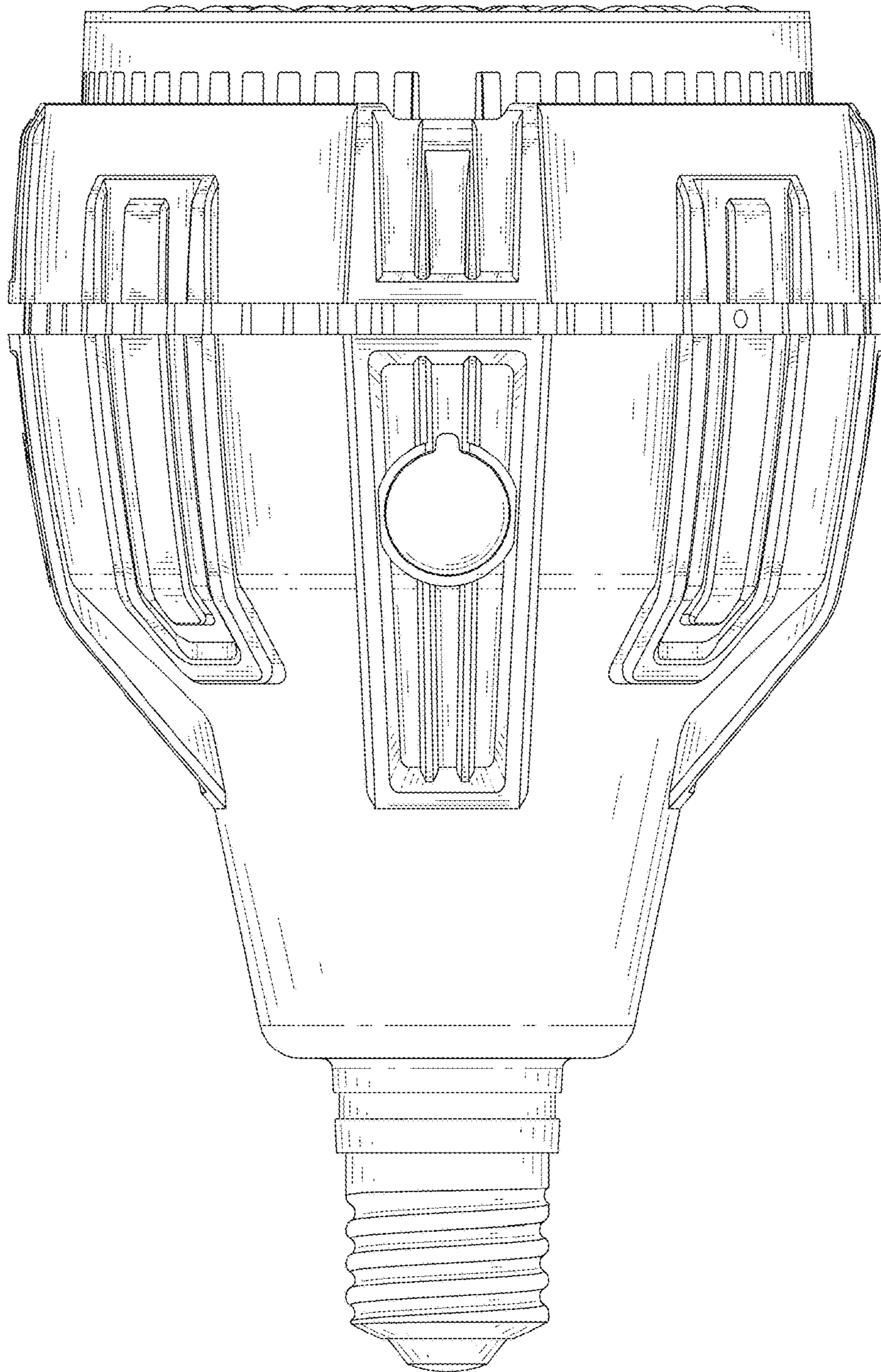


FIG. 3

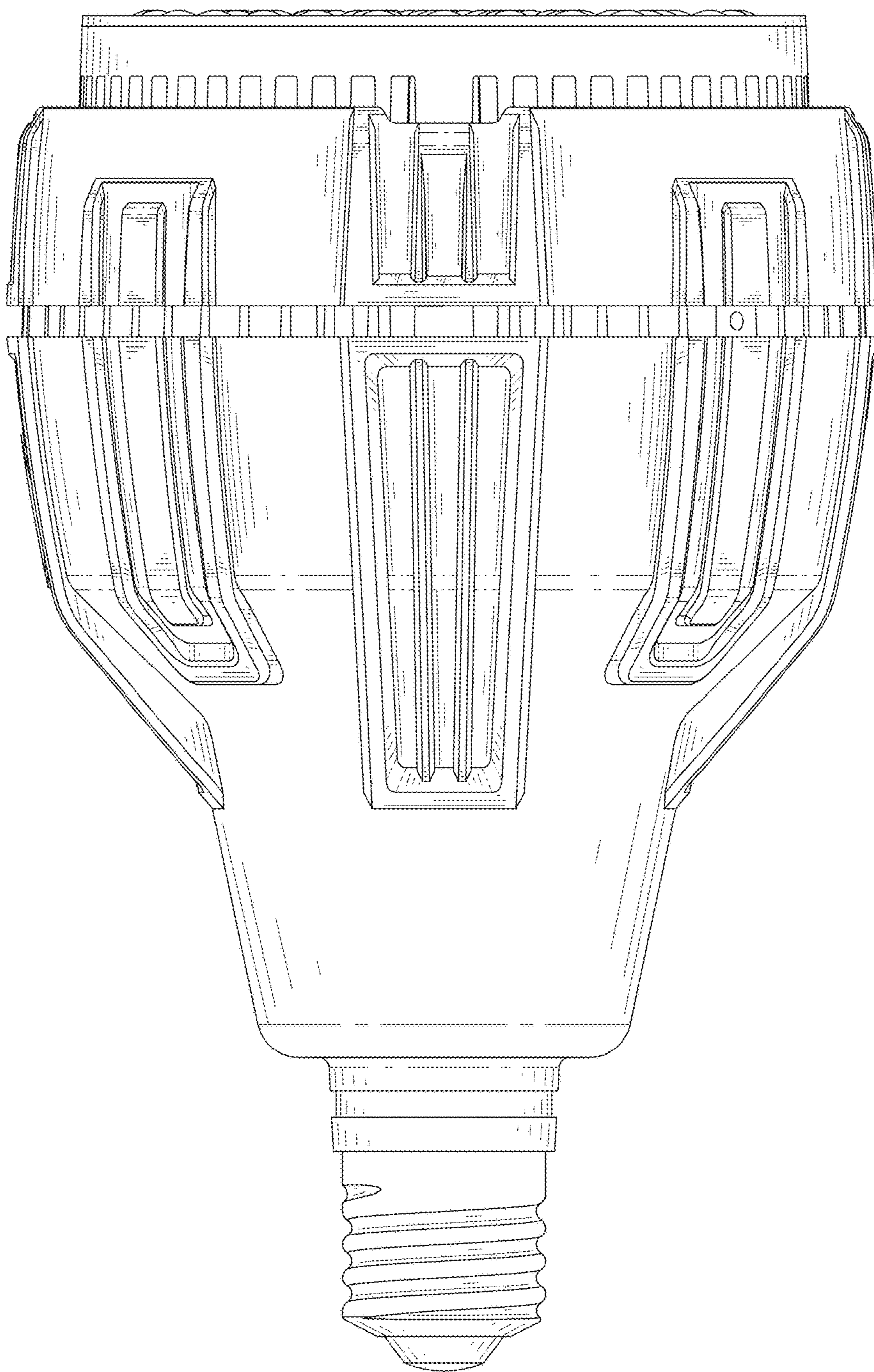


FIG. 4

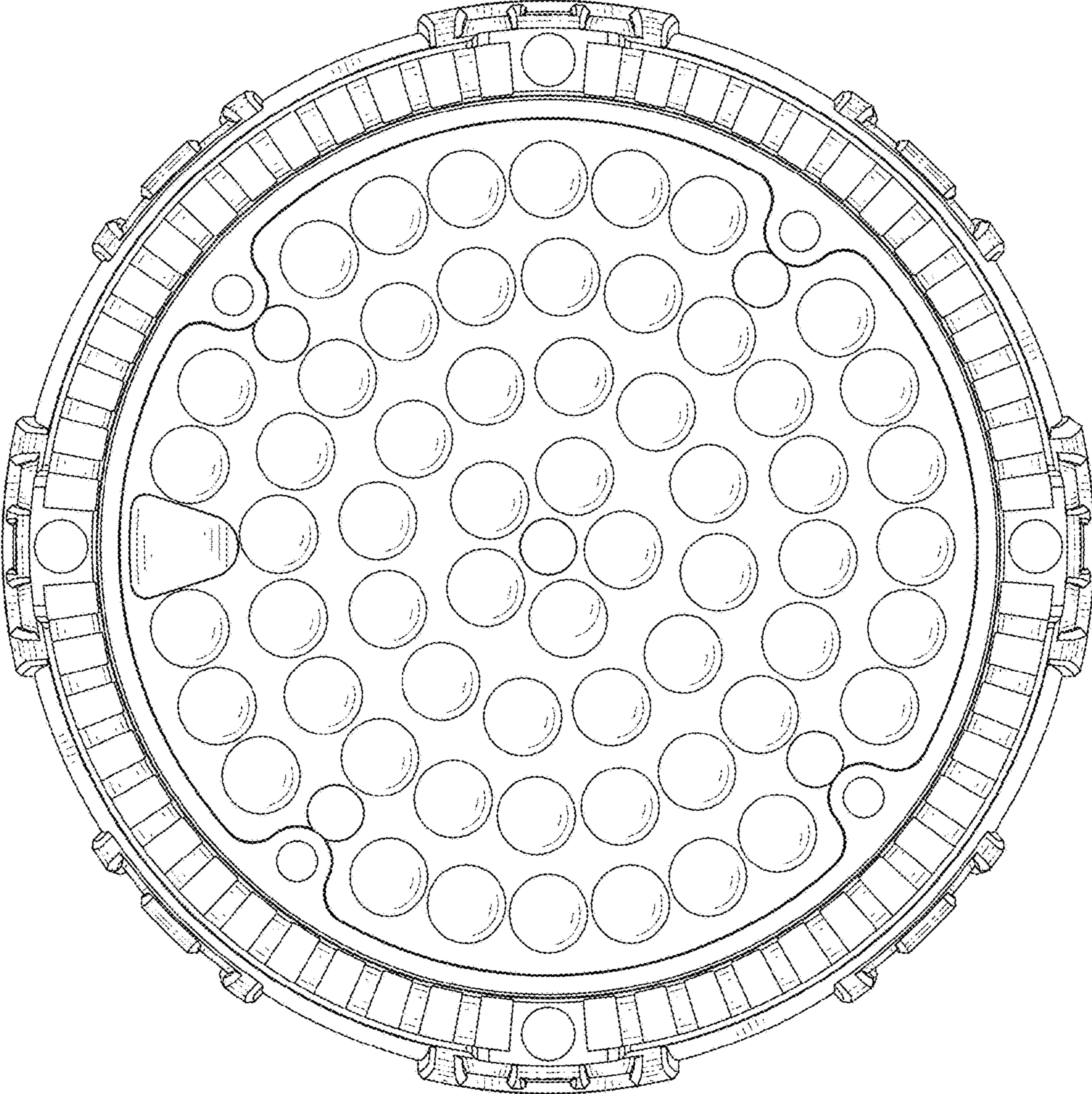


FIG. 5

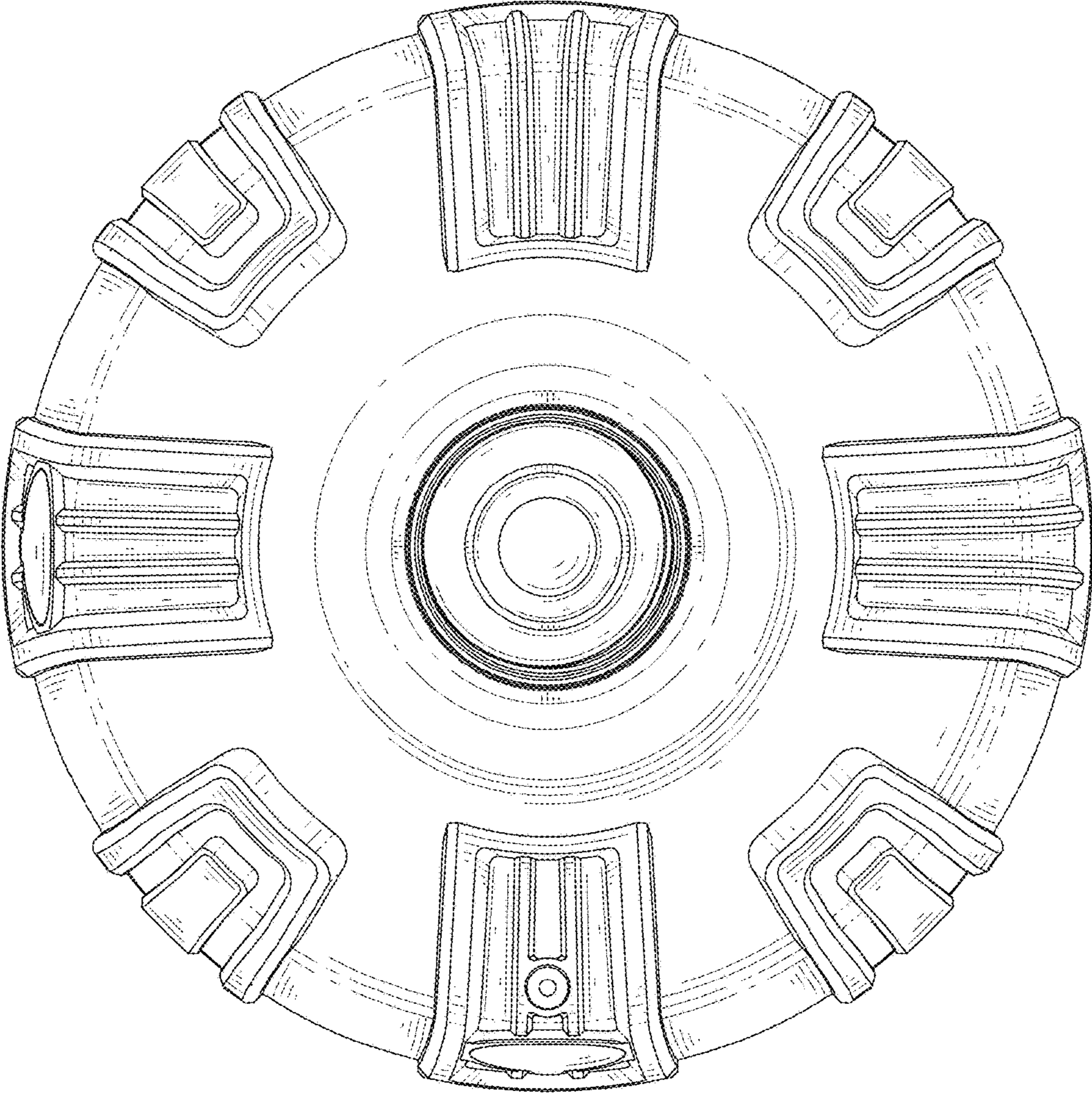


FIG. 6

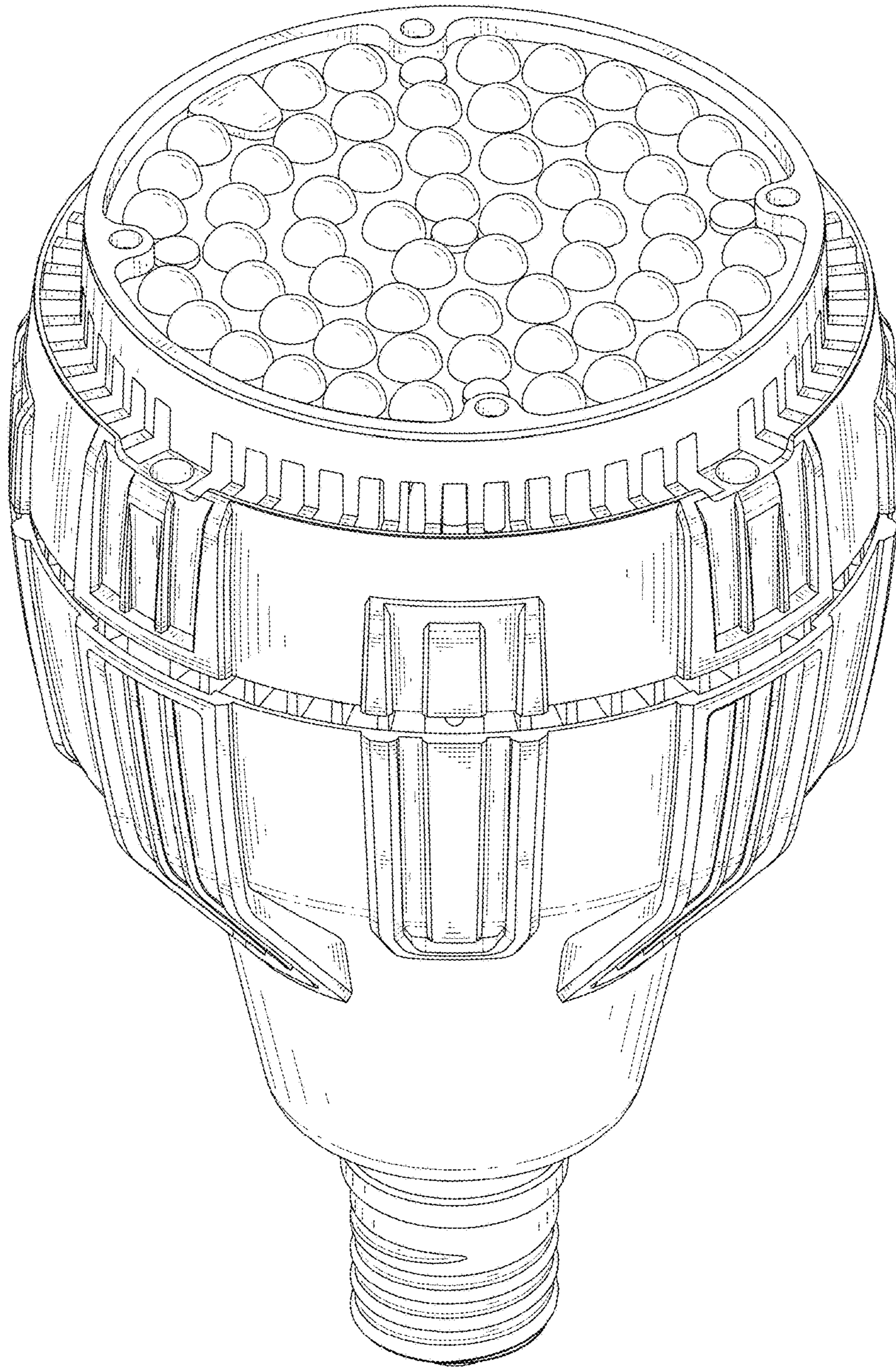


FIG. 7

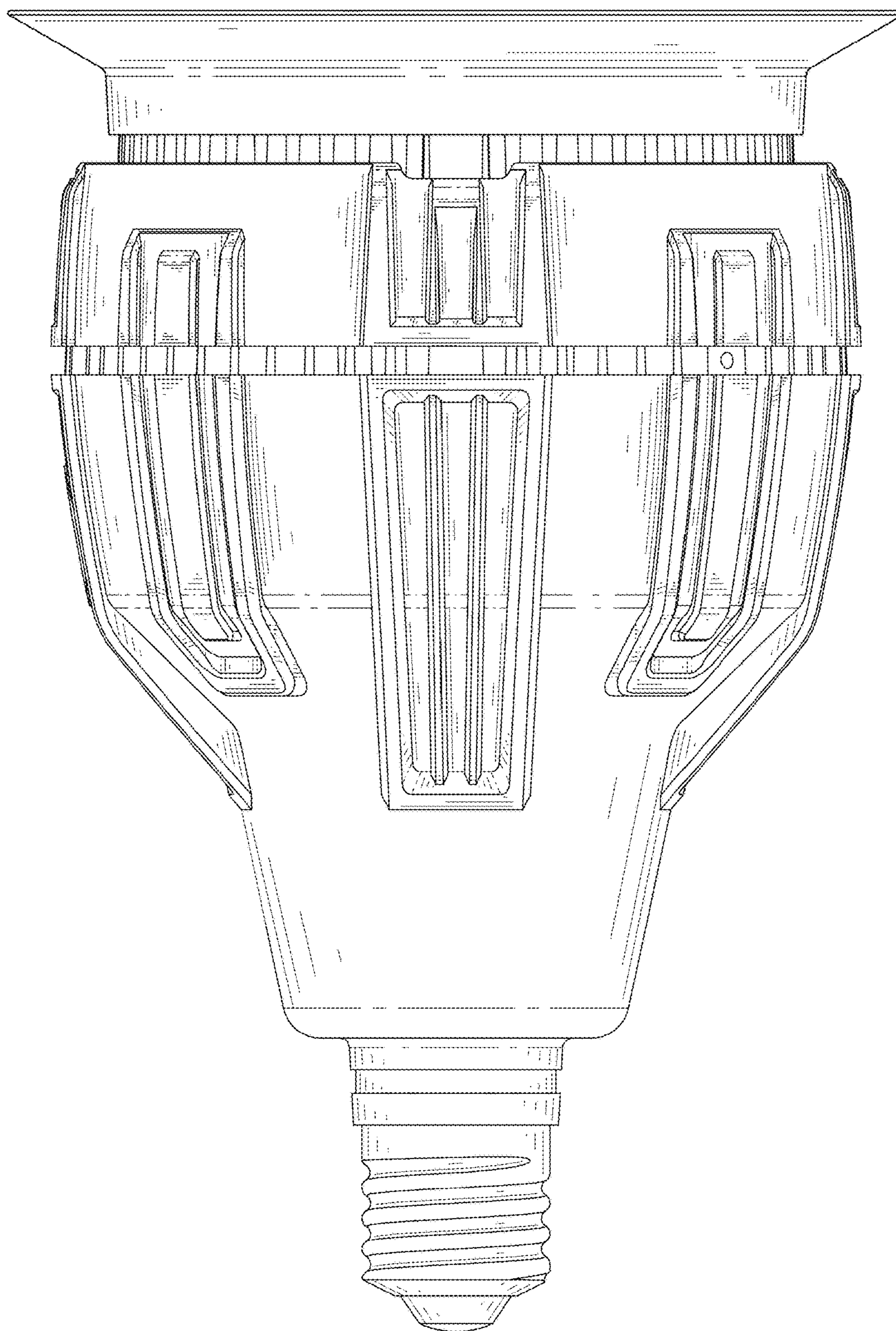


FIG. 8

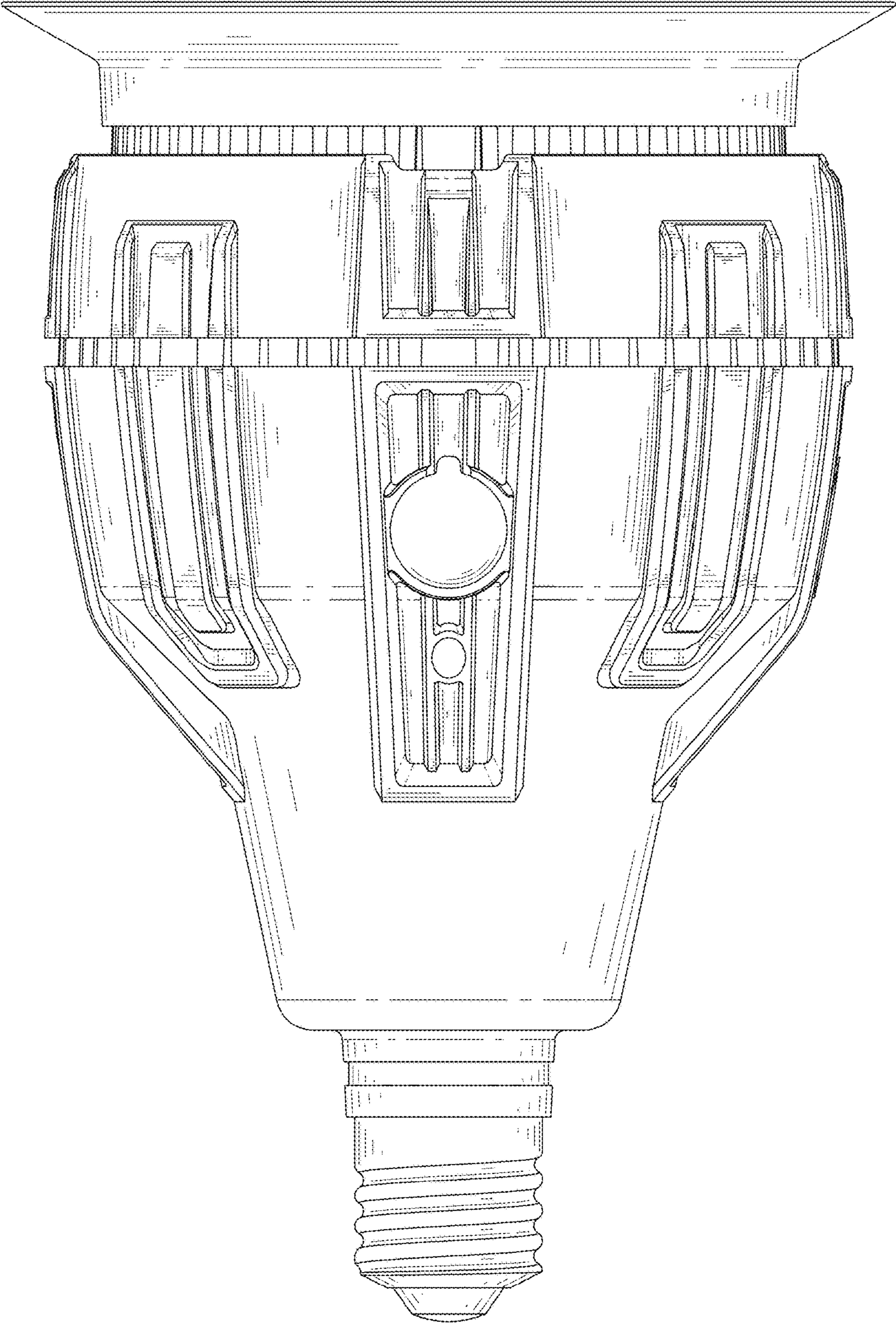


FIG. 9

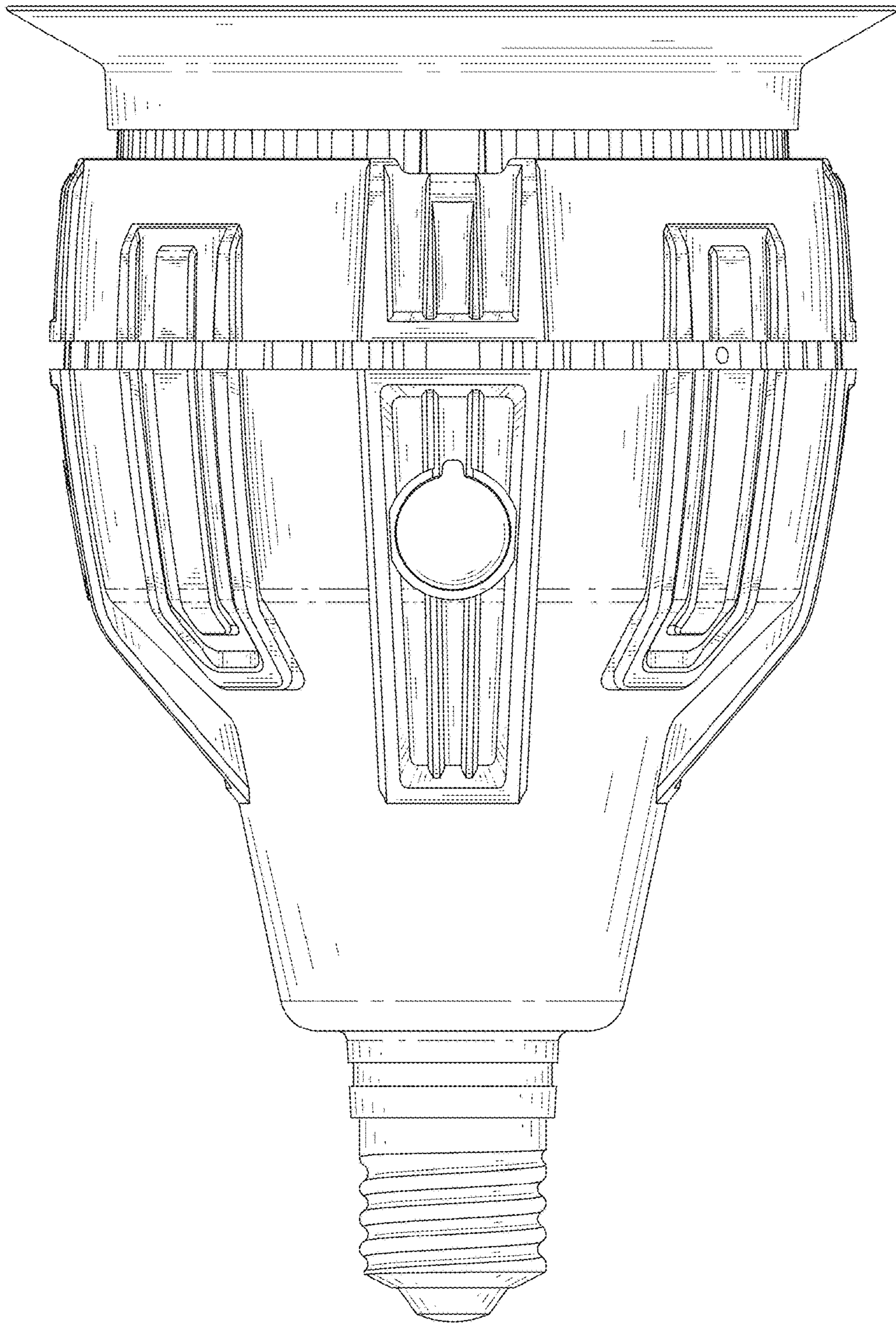


FIG. 10

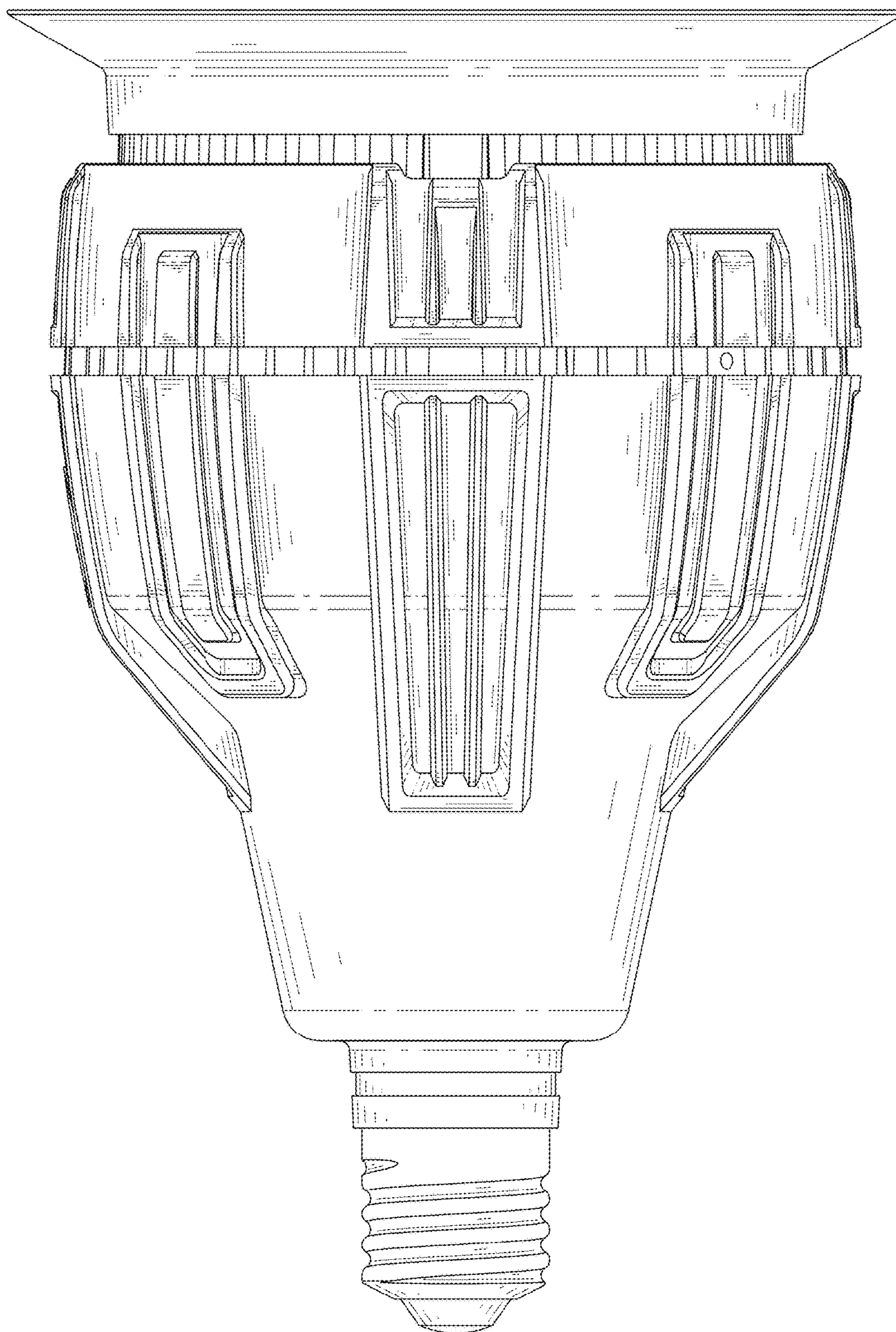


FIG. 11

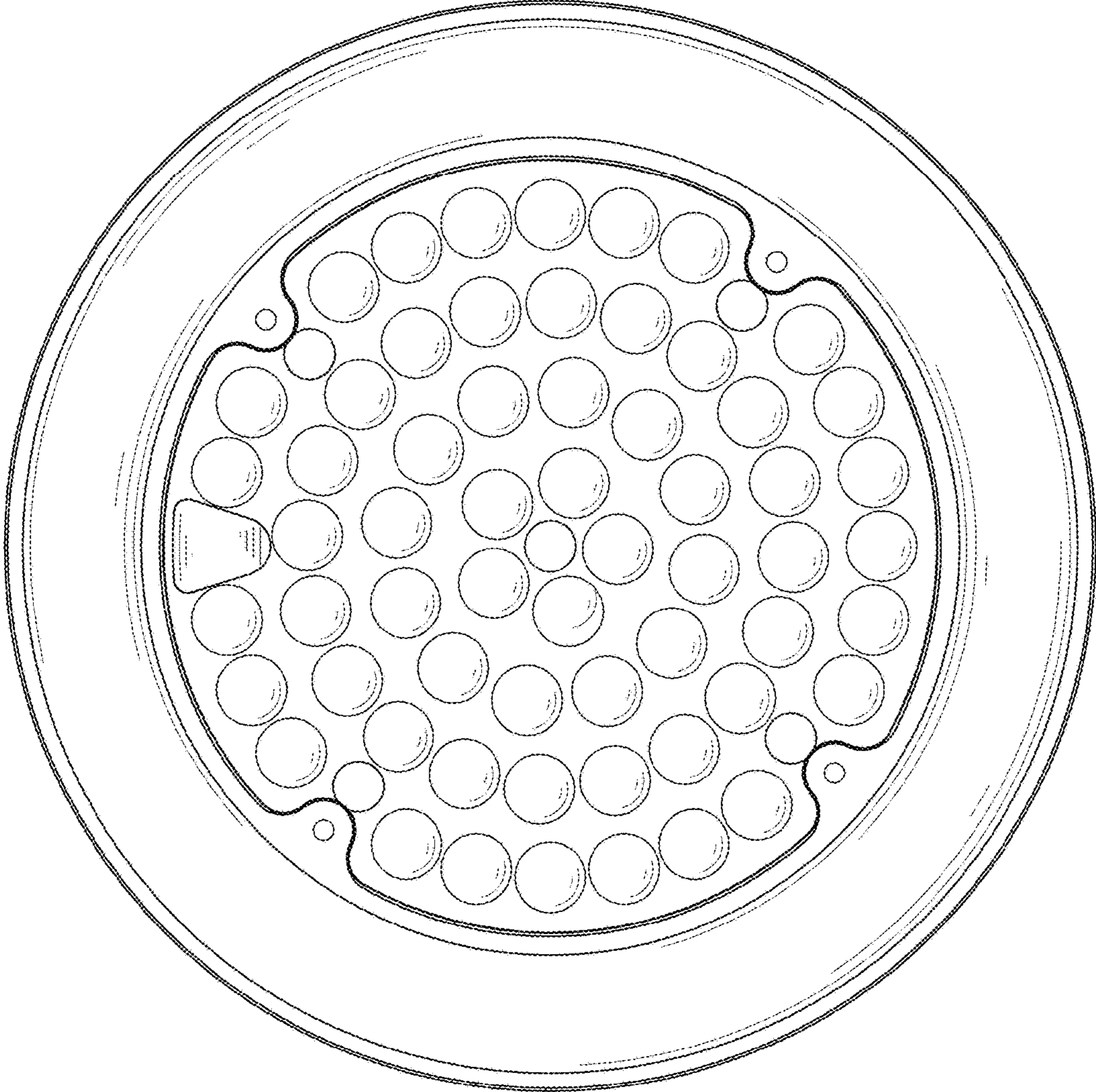


FIG. 12

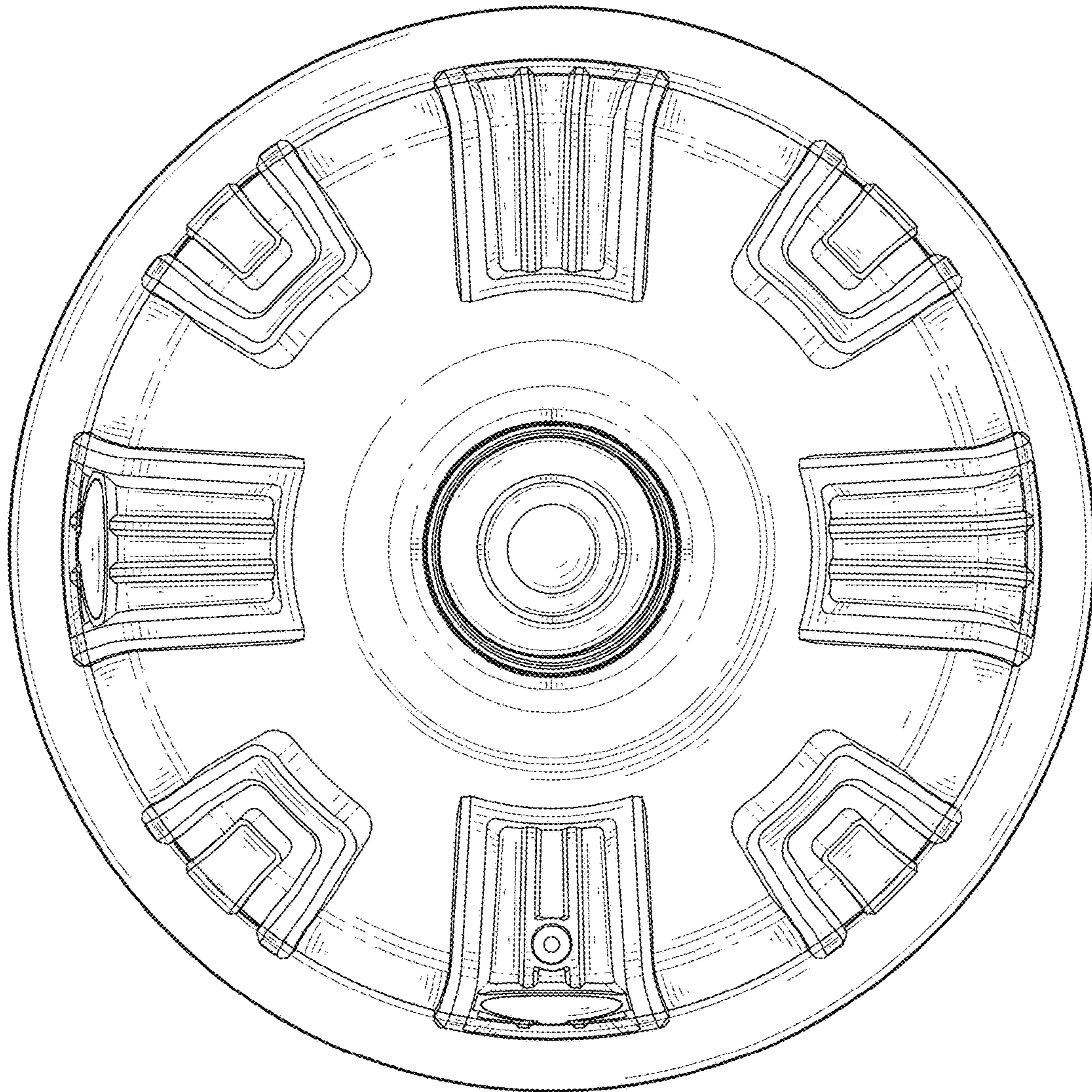


FIG. 13

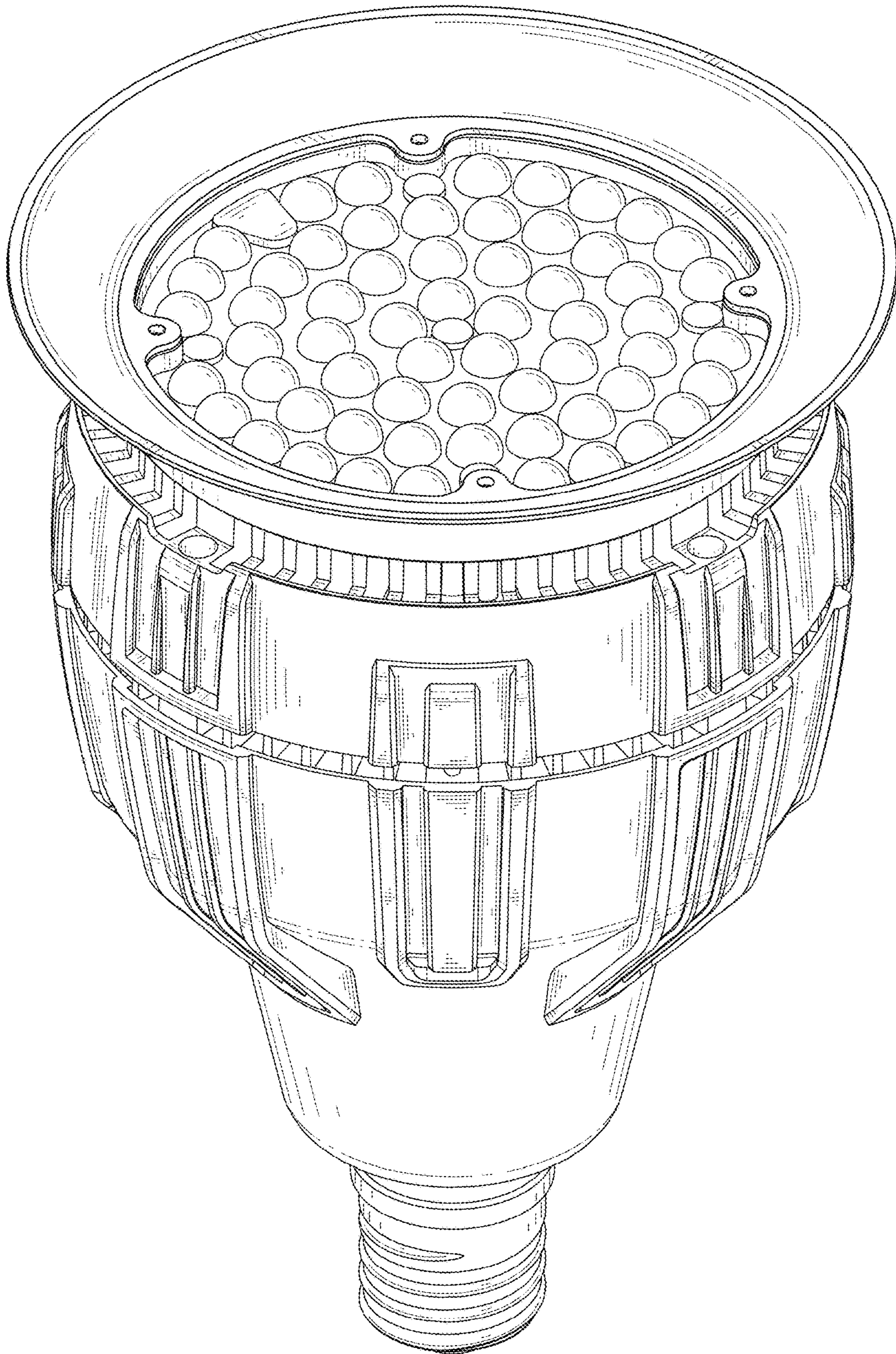


FIG. 14

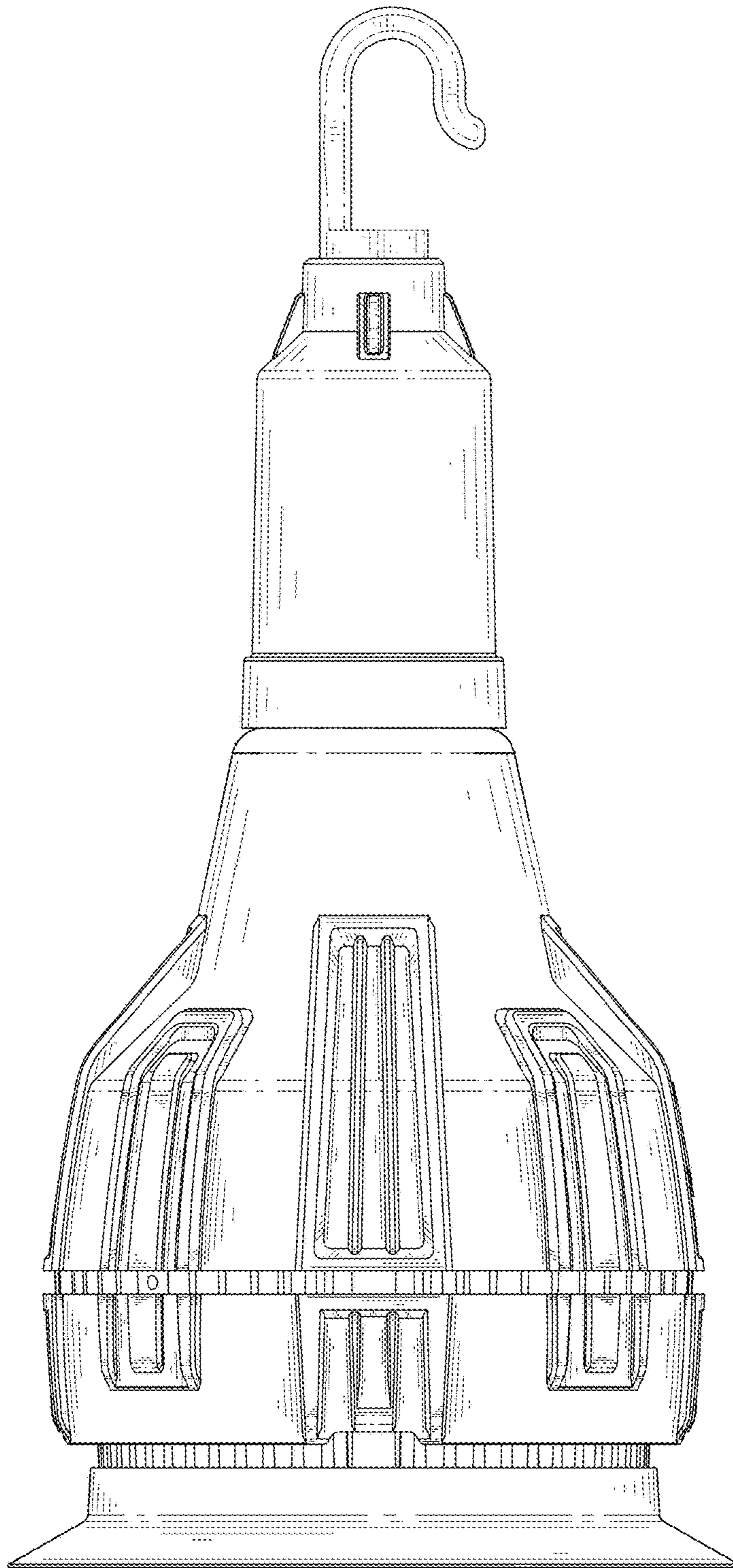


FIG. 15

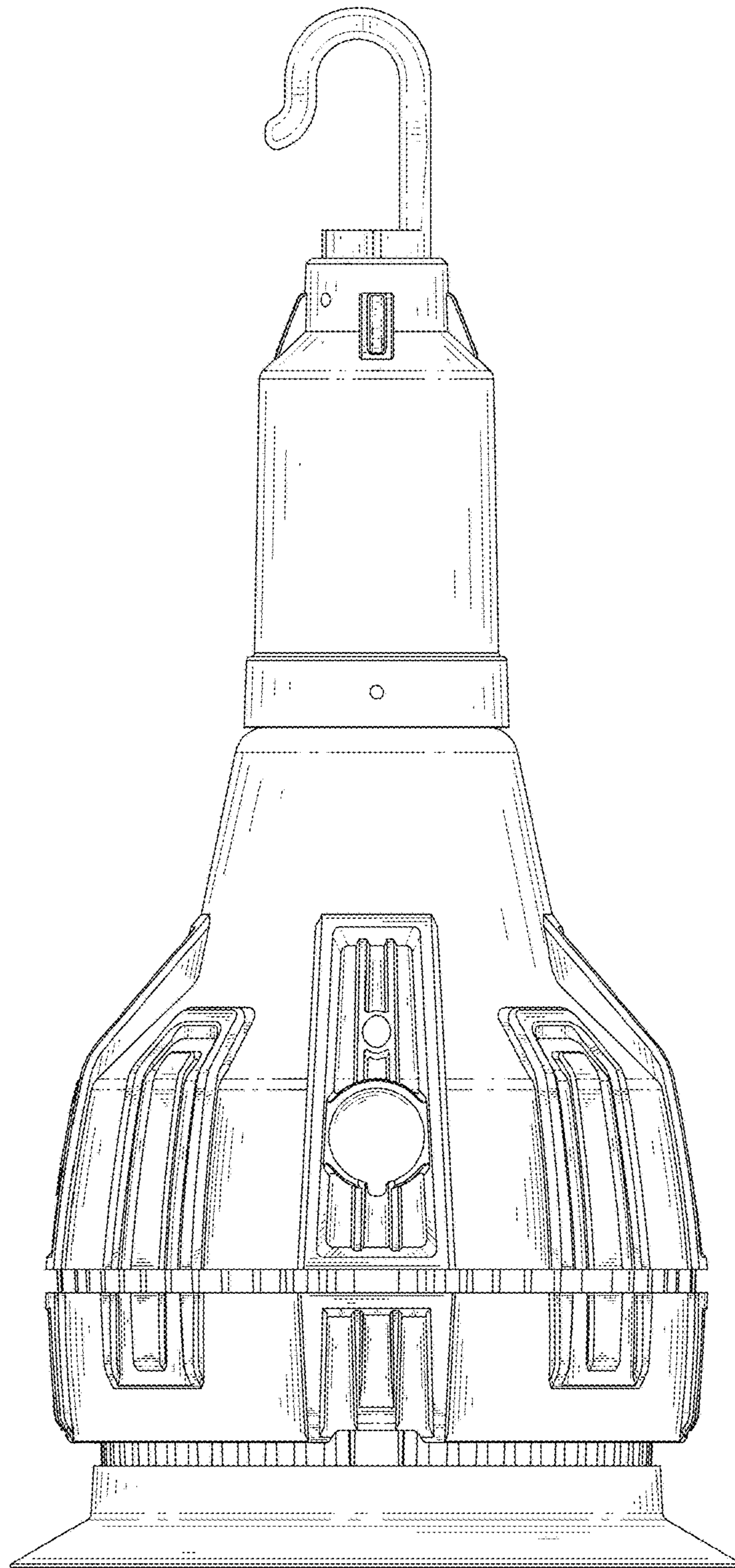


FIG. 16

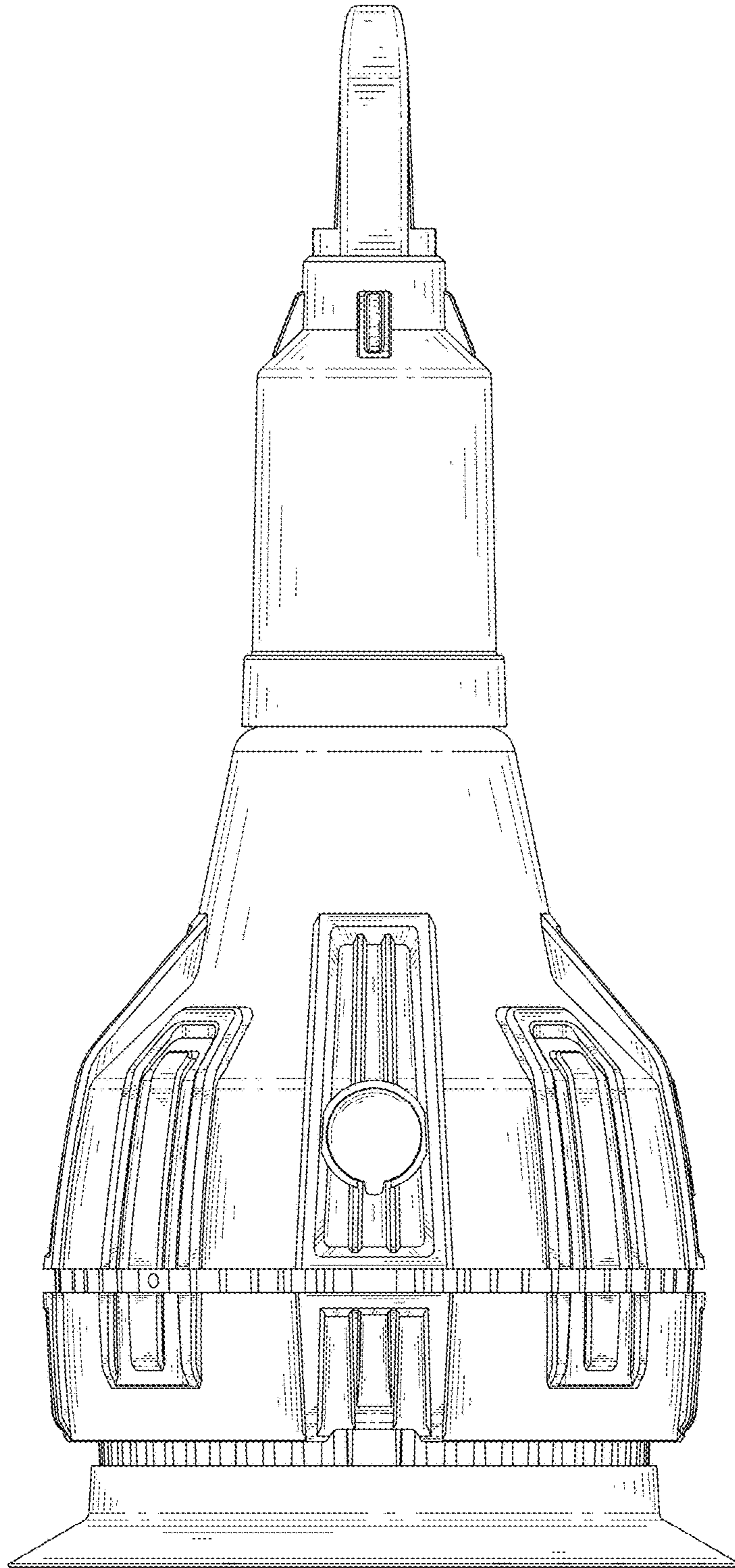


FIG. 17

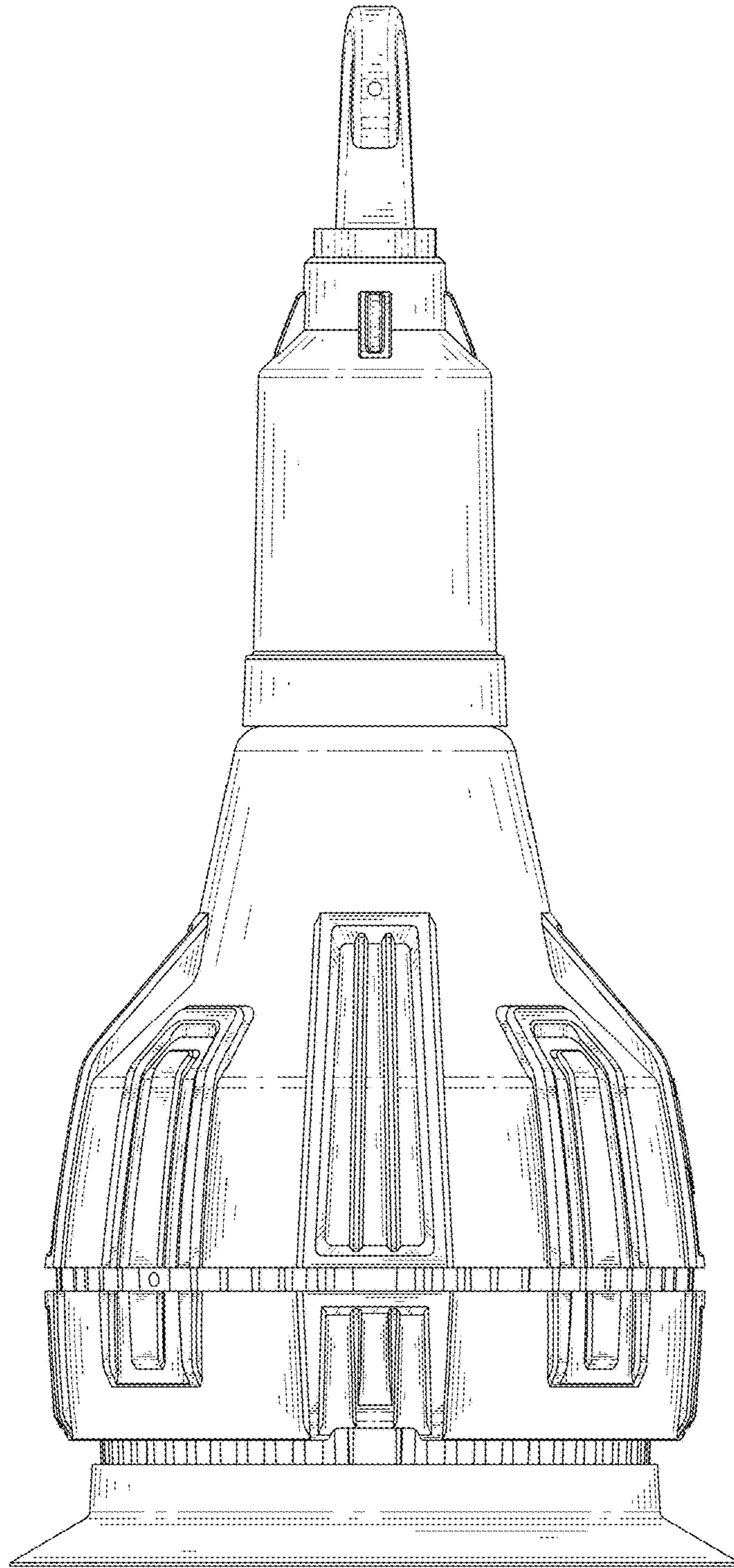


FIG. 18

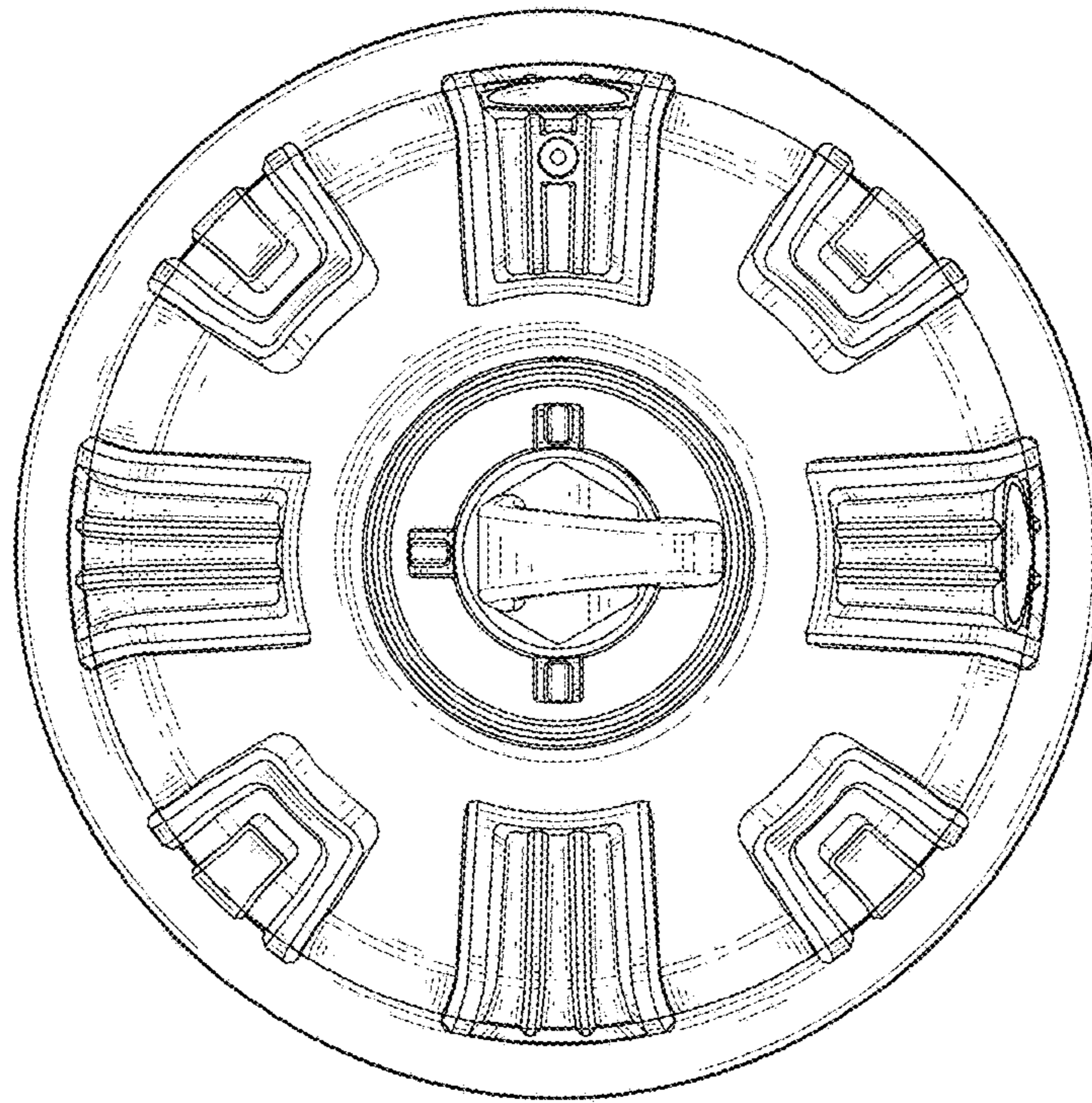


FIG. 19

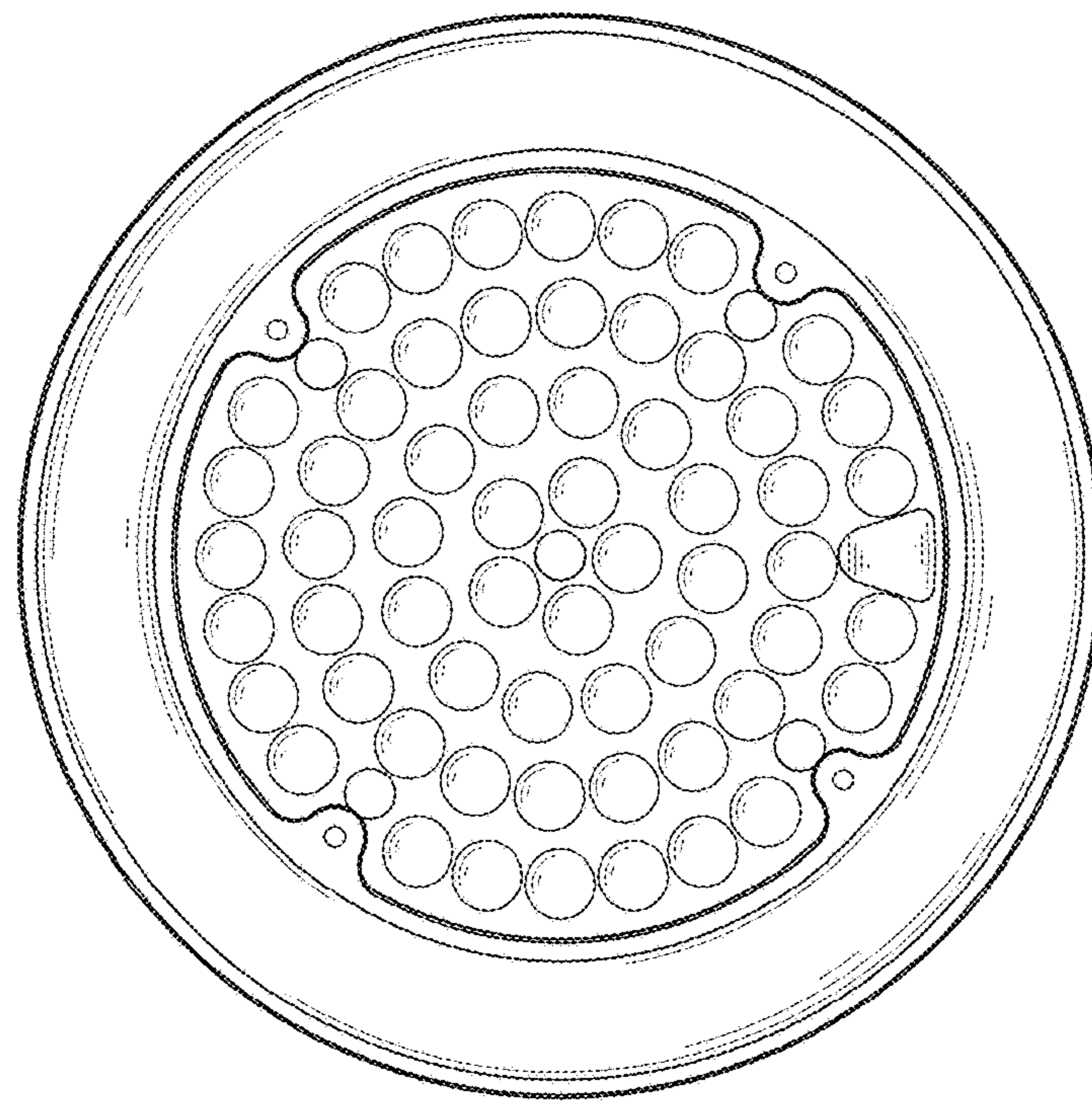


FIG. 20

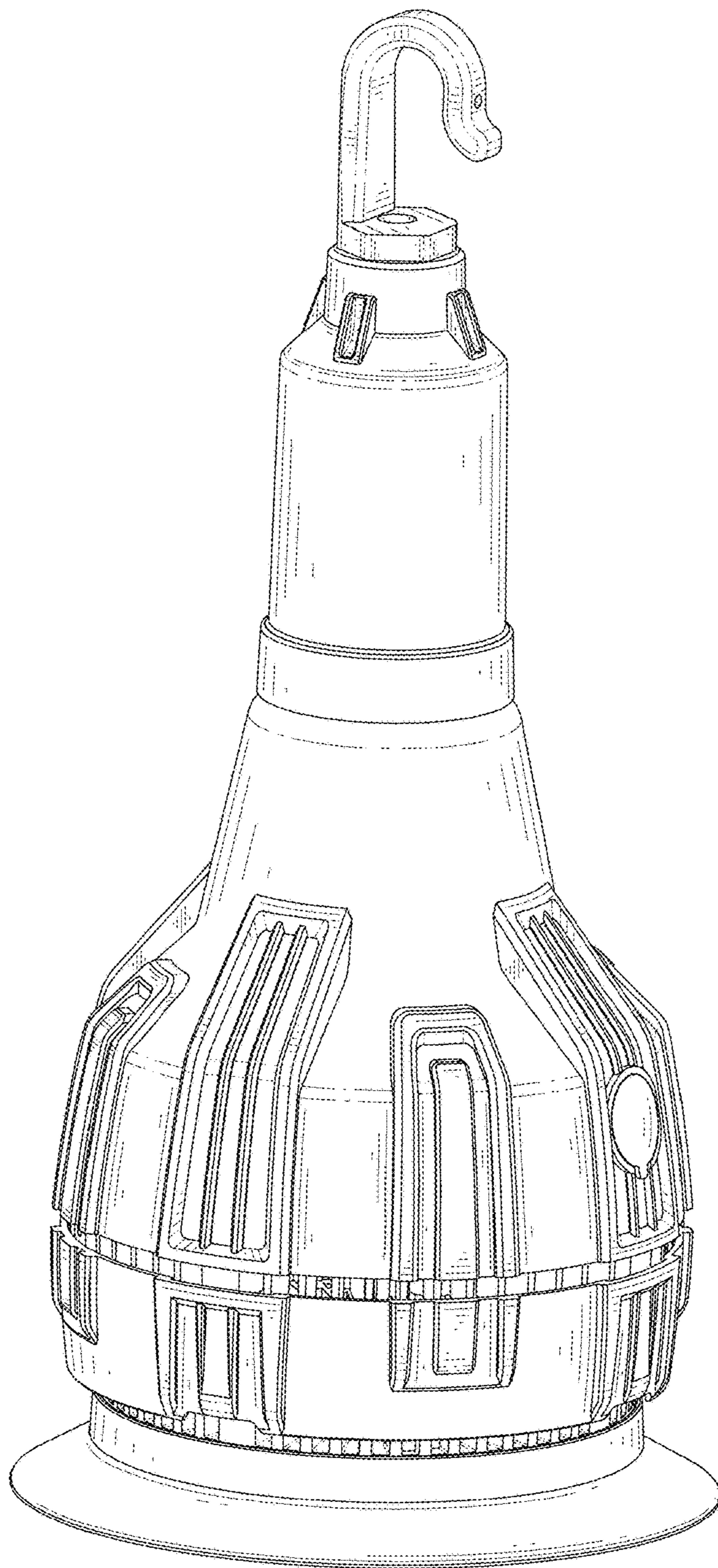


FIG. 21