



US00D862740S

(12) **United States Design Patent** (10) **Patent No.:** **US D862,740 S**
Chen (45) **Date of Patent:** **** Oct. 8, 2019**

(54) **PORTION OF A LIGHT BULB**

(71) Applicant: **ZHEJIANG SUPER LIGHTING ELECTRIC APPLIANCE CO., LTD.**, Zhejiang (CN)

(72) Inventor: **Yi-Ching Chen**, Hsinchu County (TW)

(73) Assignee: **ZHEJIANG SUPER LIGHTING ELECTRIC APPLIANCE CO., LTD.**, Zhejiang (CN)

(**) Term: **15 Years**

(21) Appl. No.: **29/619,287**

(22) Filed: **Sep. 28, 2017**

(30) **Foreign Application Priority Data**

Sep. 21, 2017 (CN) 2017 3 0450712
 Sep. 22, 2017 (CN) 2017 3 0453237
 Sep. 22, 2017 (CN) 2017 3 0453239

(51) **LOC (12) Cl.** **26-04**

(52) **U.S. Cl.**
USPC **D26/2**

(58) **Field of Classification Search**
 USPC D26/1-4
 CPC H01R 5/00; H01R 13/46; H01R 13/514;
 H01R 31/048; H01R 31/02; H01J 5/00;
 H01J 5/16; H01J 1/02; H01J 15/00; H01J
 5/48; H01J 5/50; H01J 19/54; F21V 5/00;
 F21K 9/00; F21K 13/00
 See application file for complete search history.

(56) **References Cited**

U.S. PATENT DOCUMENTS

D422,099 S * 3/2000 Kracke D26/2
 D548,369 S * 8/2007 Bembridge D26/2
 D549,360 S * 8/2007 An D26/2
 D550,864 S * 9/2007 Hernandez, Jr. D26/2
 D629,929 S * 12/2010 Chen D26/2

* cited by examiner

Primary Examiner — Marcus A Jackson

(74) *Attorney, Agent, or Firm* — Andrew M. Calderon; Roberts Mlotkowski Safran Cole & Calderon, P.C.

(57) **CLAIM**

The ornamental design for a portion of a light bulb, as shown and described.

DESCRIPTION

FIG. 1 is a front, right perspective view of a first embodiment of a portion of a light bulb showing my new design; FIG. 2 is a front elevation view of the first embodiment of the portion of a light bulb; FIG. 3 is a rear elevation view of the first embodiment of the portion of a light bulb; FIG. 4 is a left elevation view of the first embodiment of the portion of a light bulb; FIG. 5 is a right elevation view of the first embodiment of the portion of a light bulb; FIG. 6 is a top plan view of the first embodiment of the portion of a light bulb; FIG. 7 is a bottom plan view of the first embodiment of the portion of a light bulb; FIG. 8 is a front, right perspective view of a second embodiment of a portion of a light bulb showing my new design; FIG. 9 is a front elevation view of the second embodiment of the portion of a light bulb; FIG. 10 is a rear elevation view of the second embodiment of the portion of a light bulb; FIG. 11 is a left elevation view of the second embodiment of the portion of a light bulb; FIG. 12 is a right elevation view of the second embodiment of the portion of a light bulb; FIG. 13 is a top plan view of the second embodiment of the portion of a light bulb; FIG. 14 is a bottom plan view of the second embodiment of the portion of a light bulb; FIG. 15 is a front, right perspective view of a third embodiment of a portion of a light bulb showing my new design; FIG. 16 is a front elevation view of the third embodiment of the portion of a light bulb;

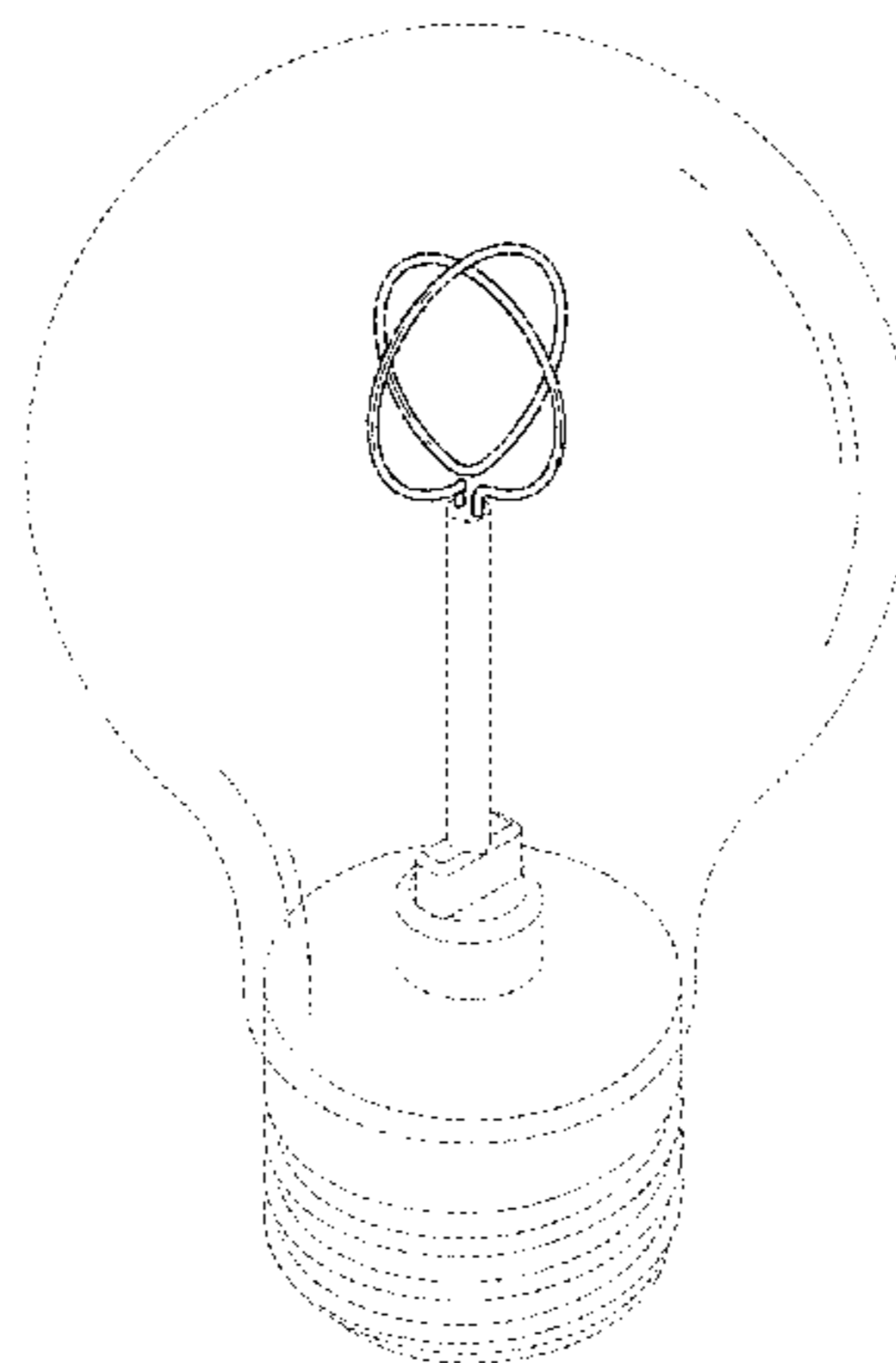


FIG. 17 is a rear elevation view of the third embodiment of the portion of a light bulb;
FIG. 18 is a left elevation view of the third embodiment of the portion of a light bulb;
FIG. 19 is a right elevation view of the third embodiment of the portion of a light bulb;
FIG. 20 is a top plan view of the third embodiment of the portion of a light bulb;
FIG. 21 is a bottom plan view of the third embodiment of the portion of a light bulb;
FIG. 22 is a front, right perspective view of a fourth embodiment of a portion of a light bulb showing my new design;
FIG. 23 is a front elevation view of the fourth embodiment of the portion of a light bulb;
FIG. 24 is a rear elevation view of the fourth embodiment of the portion of a light bulb;
FIG. 25 is a left elevation view of the fourth embodiment of the portion of a light bulb;
FIG. 26 is a right elevation view of the fourth embodiment of the portion of a light bulb;
FIG. 27 is a top plan view of the fourth embodiment of the portion of a light bulb;
FIG. 28 is a bottom plan view of the fourth embodiment of the portion of a light bulb;
FIG. 29 is a front, right perspective view of a fifth embodiment of a portion of a light bulb showing my new design;
FIG. 30 is a front elevation view of the fifth embodiment of the portion of a light bulb;
FIG. 31 is a rear elevation view of the fifth embodiment of the portion of a light bulb;
FIG. 32 is a left elevation view of the fifth embodiment of the portion of a light bulb;
FIG. 33 is a right elevation view of the fifth embodiment of the portion of a light bulb;
FIG. 34 is a top plan view of the fifth embodiment of the portion of a light bulb;
FIG. 35 is a bottom plan view of the fifth embodiment of the portion of a light bulb;
FIG. 36 is a front, right perspective view of a sixth embodiment of a portion of a light bulb showing my new design;
FIG. 37 is a front elevation view of the sixth embodiment of the portion of a light bulb;
FIG. 38 is a rear elevation view of the sixth embodiment of the portion of a light bulb;
FIG. 39 is a left elevation view of the sixth embodiment of the portion of a light bulb;
FIG. 40 is a right elevation view of the sixth embodiment of the portion of a light bulb;
FIG. 41 is a top plan view of the sixth embodiment of the portion of a light bulb;
FIG. 42 is a bottom plan view of the sixth embodiment of the portion of a light bulb;
FIG. 43 is a front, right perspective view of a seventh embodiment of a portion of a light bulb showing my new design;
FIG. 44 is a front elevation view of the seventh embodiment of the portion of a light bulb;
FIG. 45 is a rear elevation view of the seventh embodiment of the portion of a light bulb;
FIG. 46 is a left elevation view of the seventh embodiment of the portion of a light bulb;
FIG. 47 is a right elevation view of the seventh embodiment of the portion of a light bulb;

FIG. 48 is a top plan view of the seventh embodiment of the portion of a light bulb;
FIG. 49 is a bottom plan view of the seventh embodiment of the portion of a light bulb;
FIG. 50 is a front, right perspective view of an eighth embodiment of a portion of a light bulb showing my new design;
FIG. 51 is a front elevation view of the eighth embodiment of the portion of a light bulb;
FIG. 52 is a rear elevation view of the eighth embodiment of the portion of a light bulb;
FIG. 53 is a left elevation view of the eighth embodiment of the portion of a light bulb;
FIG. 54 is a right elevation view of the eighth embodiment of the portion of a light bulb;
FIG. 55 is a top plan view of the eighth embodiment of the portion of a light bulb;
FIG. 56 is a bottom plan view of the eighth embodiment of the portion of a light bulb;
FIG. 57 is a front, right perspective view of a ninth embodiment of a portion of a light bulb showing my new design;
FIG. 58 is a front elevation view of the ninth embodiment of the portion of a light bulb;
FIG. 59 is a rear elevation view of the ninth embodiment of the portion of a light bulb;
FIG. 60 is a left elevation view of the ninth embodiment of the portion of a light bulb;
FIG. 61 is a right elevation view of the ninth embodiment of the portion of a light bulb;
FIG. 62 is a top plan view of the ninth embodiment of the portion of a light bulb;
FIG. 63 is a bottom plan view of the ninth embodiment of the portion of a light bulb;
FIG. 64 is a front, right perspective view of a tenth embodiment of a portion of a light bulb showing my new design;
FIG. 65 is a front elevation view of the tenth embodiment of the portion of a light bulb;
FIG. 66 is a rear elevation view of the tenth embodiment of the portion of a light bulb;
FIG. 67 is a left elevation view of the tenth embodiment of the portion of a light bulb;
FIG. 68 is a right elevation view of the tenth embodiment of the portion of a light bulb;
FIG. 69 is a top plan view of the tenth embodiment of the portion of a light bulb;
FIG. 70 is a bottom plan view of the tenth embodiment of the portion of a light bulb;
FIG. 71 is a front, right perspective view of an eleventh embodiment of a portion of a light bulb showing my new design;
FIG. 72 is a front elevation view of the eleventh embodiment of the portion of a light bulb;
FIG. 73 is a rear elevation view of the eleventh embodiment of the portion of a light bulb;
FIG. 74 is a left elevation view of the eleventh embodiment of the portion of a light bulb;
FIG. 75 is a right elevation view of the eleventh embodiment of the portion of a light bulb;
FIG. 76 is a top plan view of the eleventh embodiment of the portion of a light bulb; and,
FIG. 77 is a bottom plan view of the eleventh embodiment of the portion of a light bulb.

The broken lines in the drawings are for illustrative purposes and represent environmental structure and unclaimed portions of the portion of a light bulb and therefore form no part of the claimed design.

1 Claim, 66 Drawing Sheets

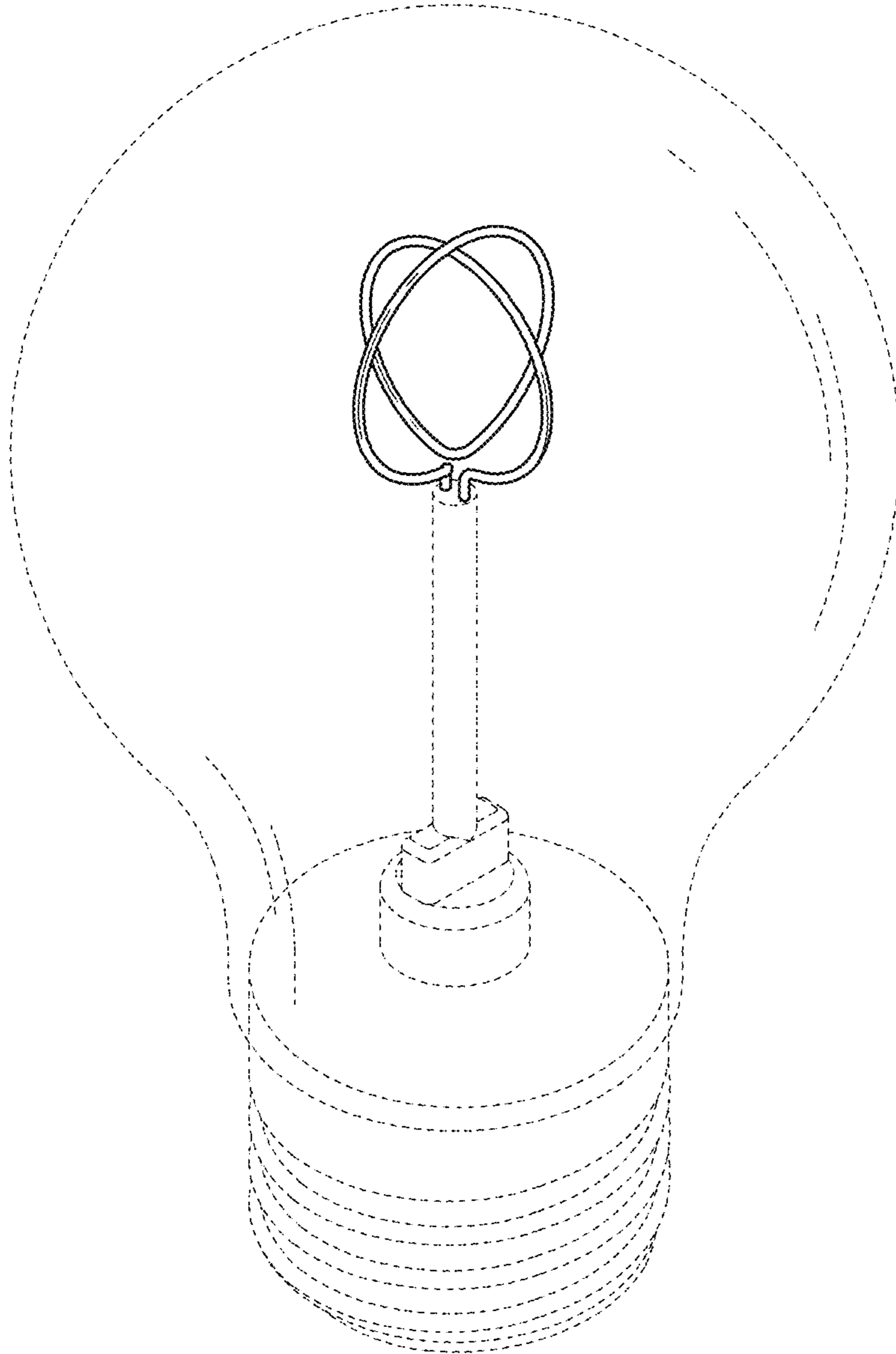


FIG. 1

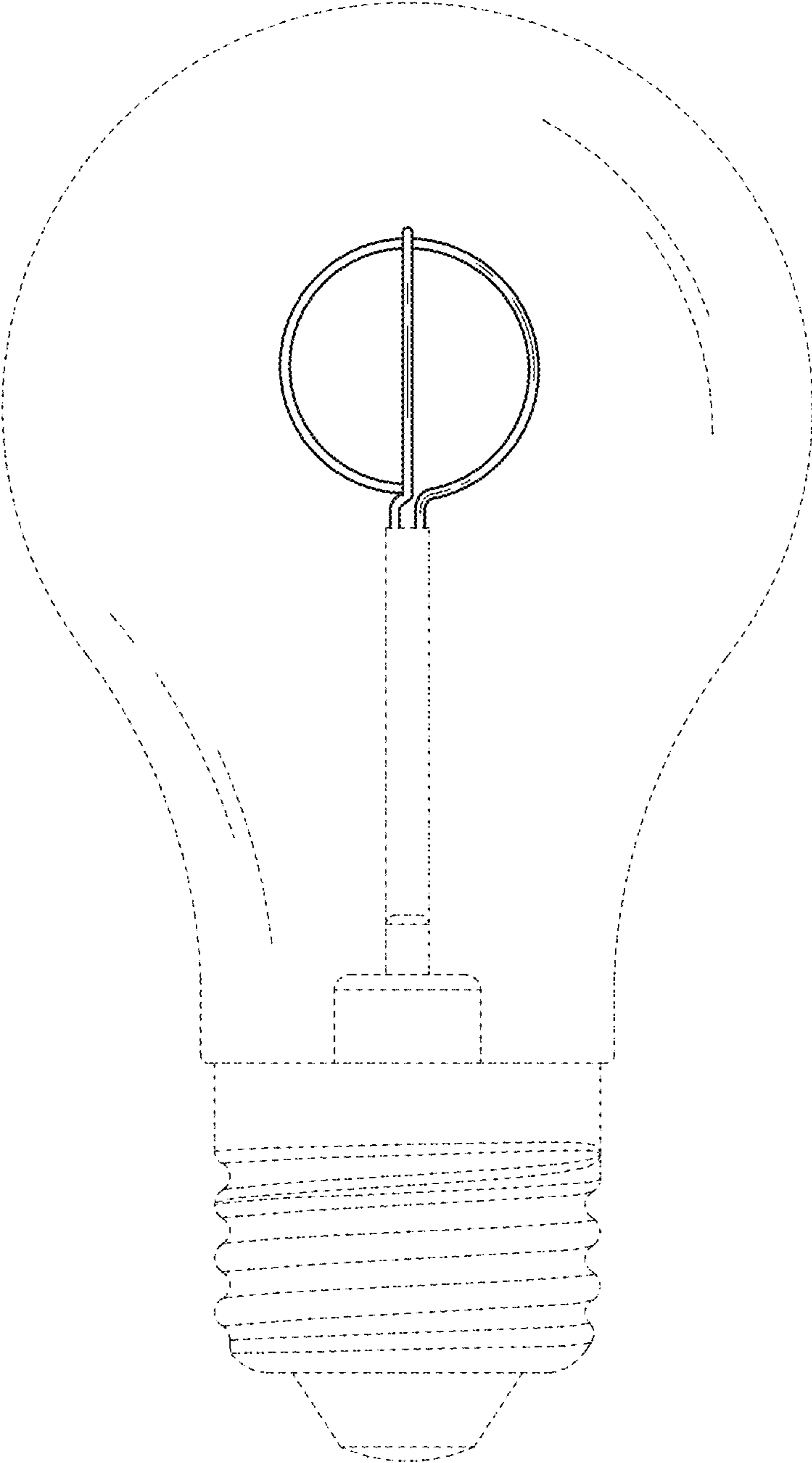


FIG.2

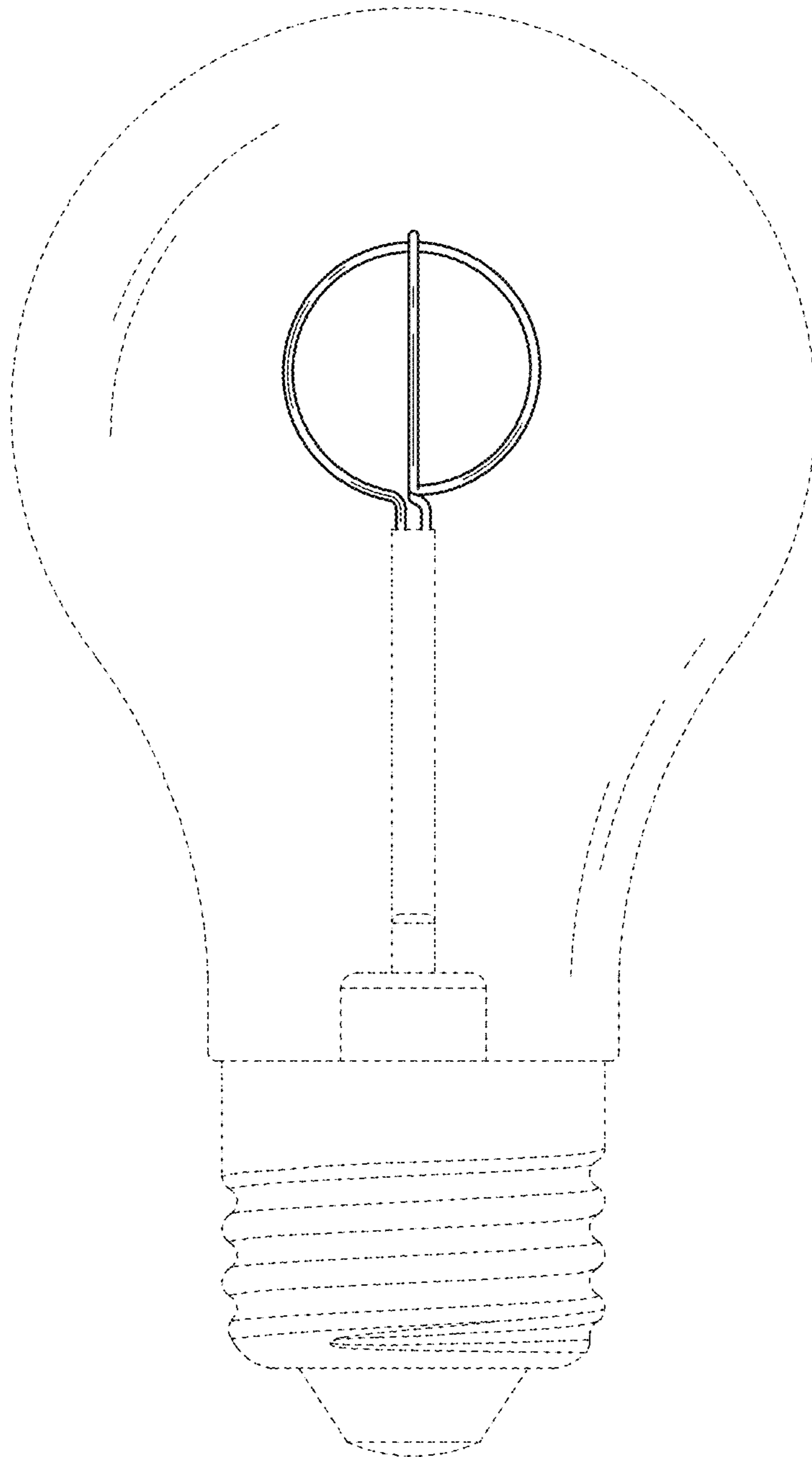


FIG.3

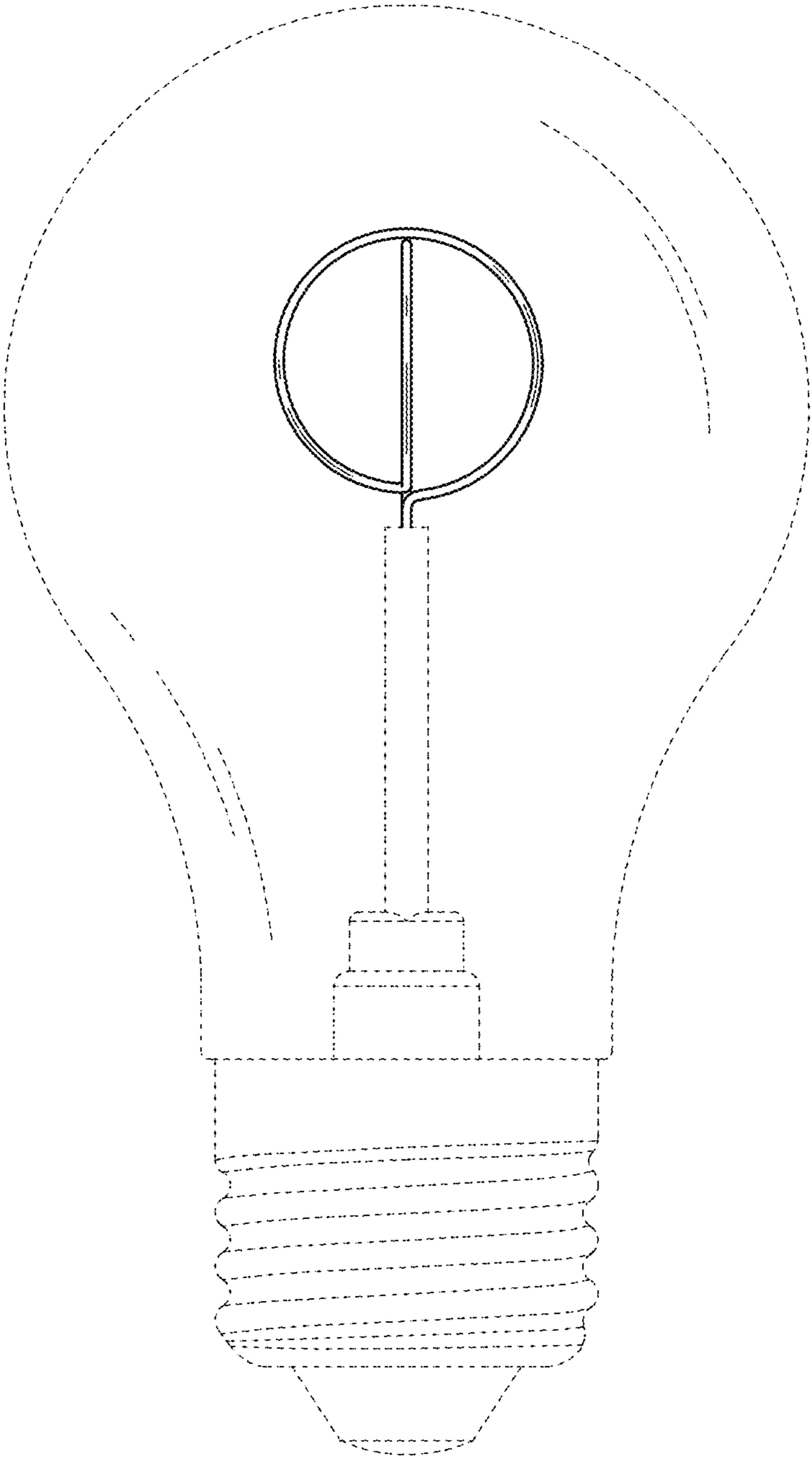


FIG.4

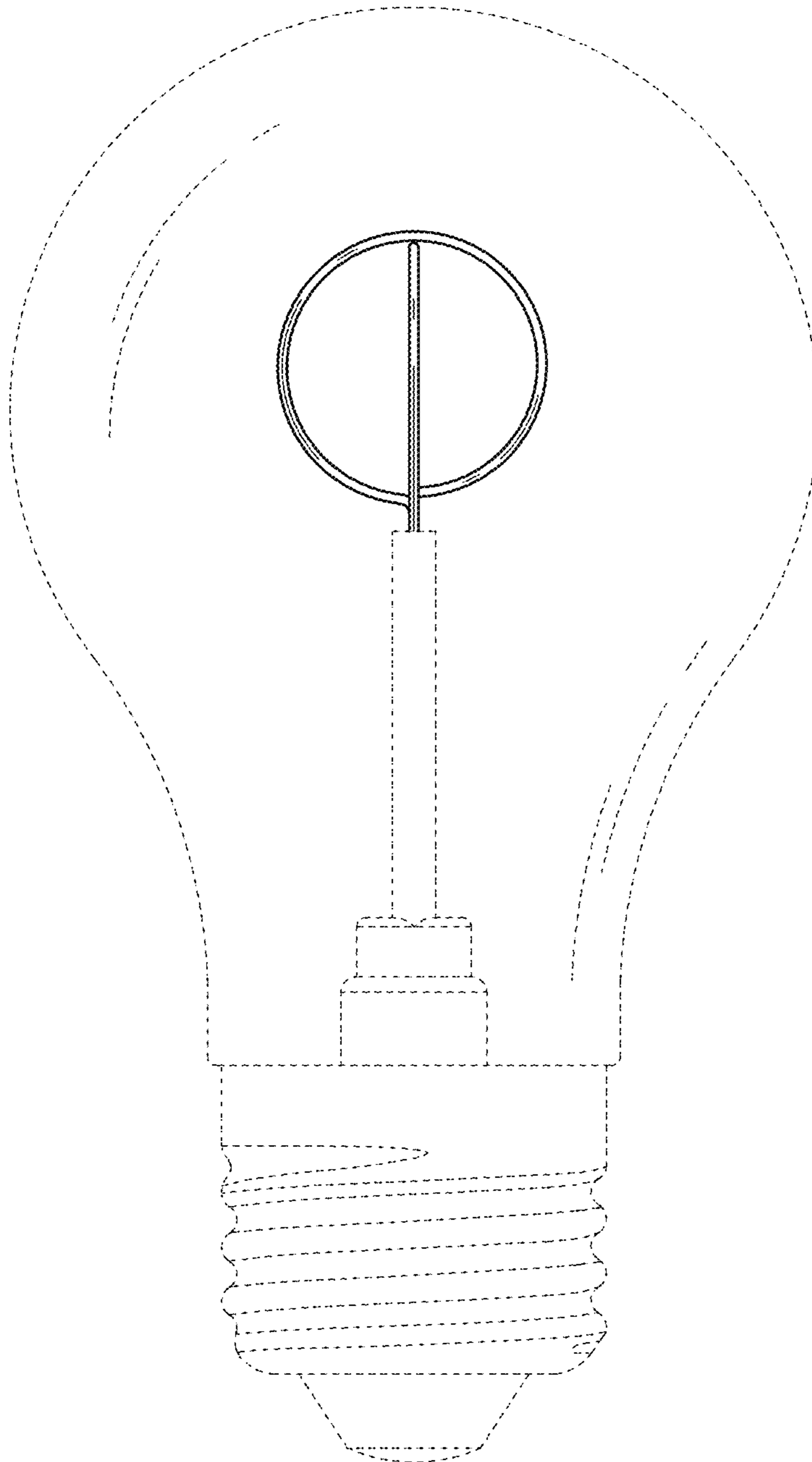


FIG.5

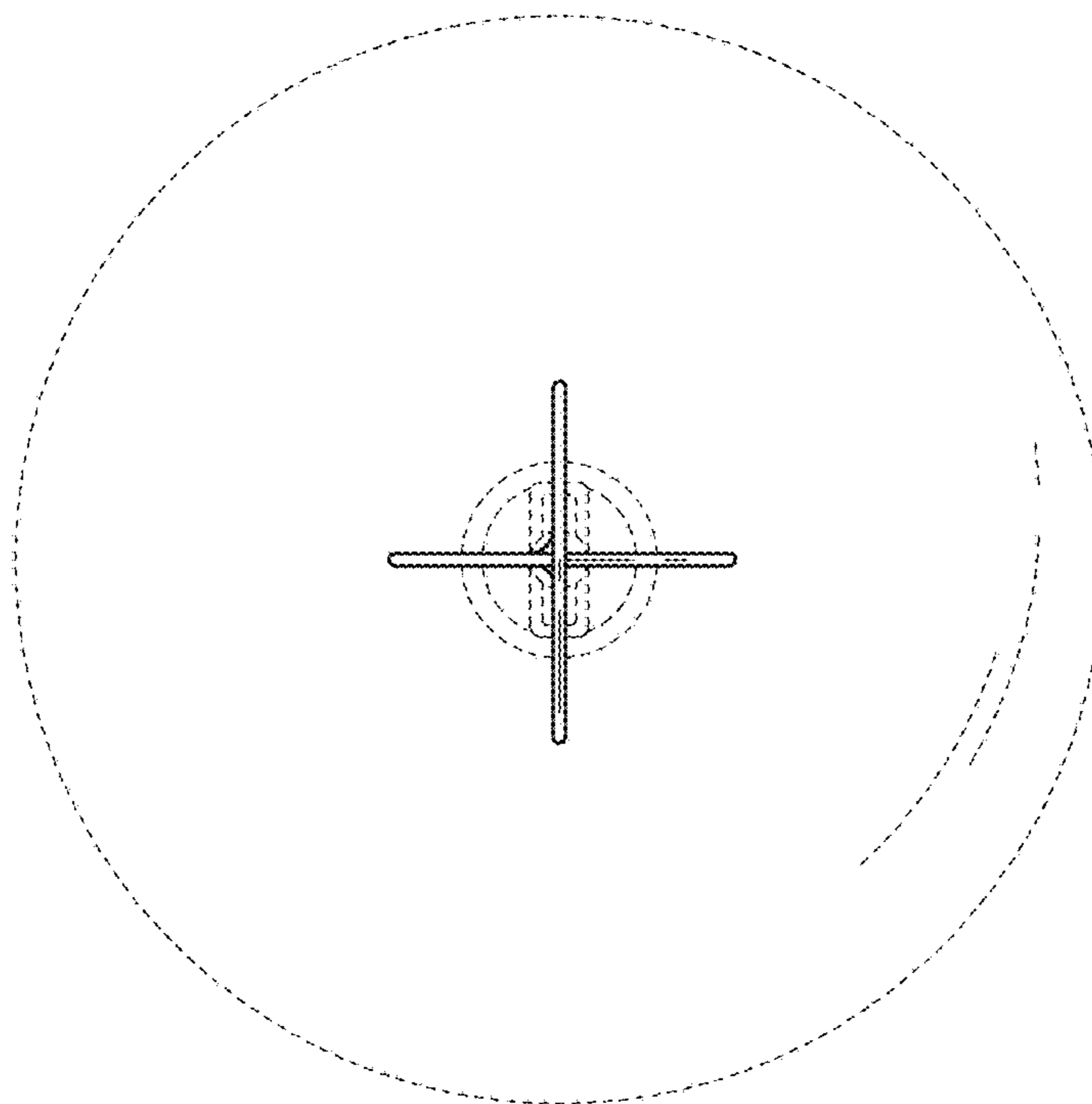


FIG. 6

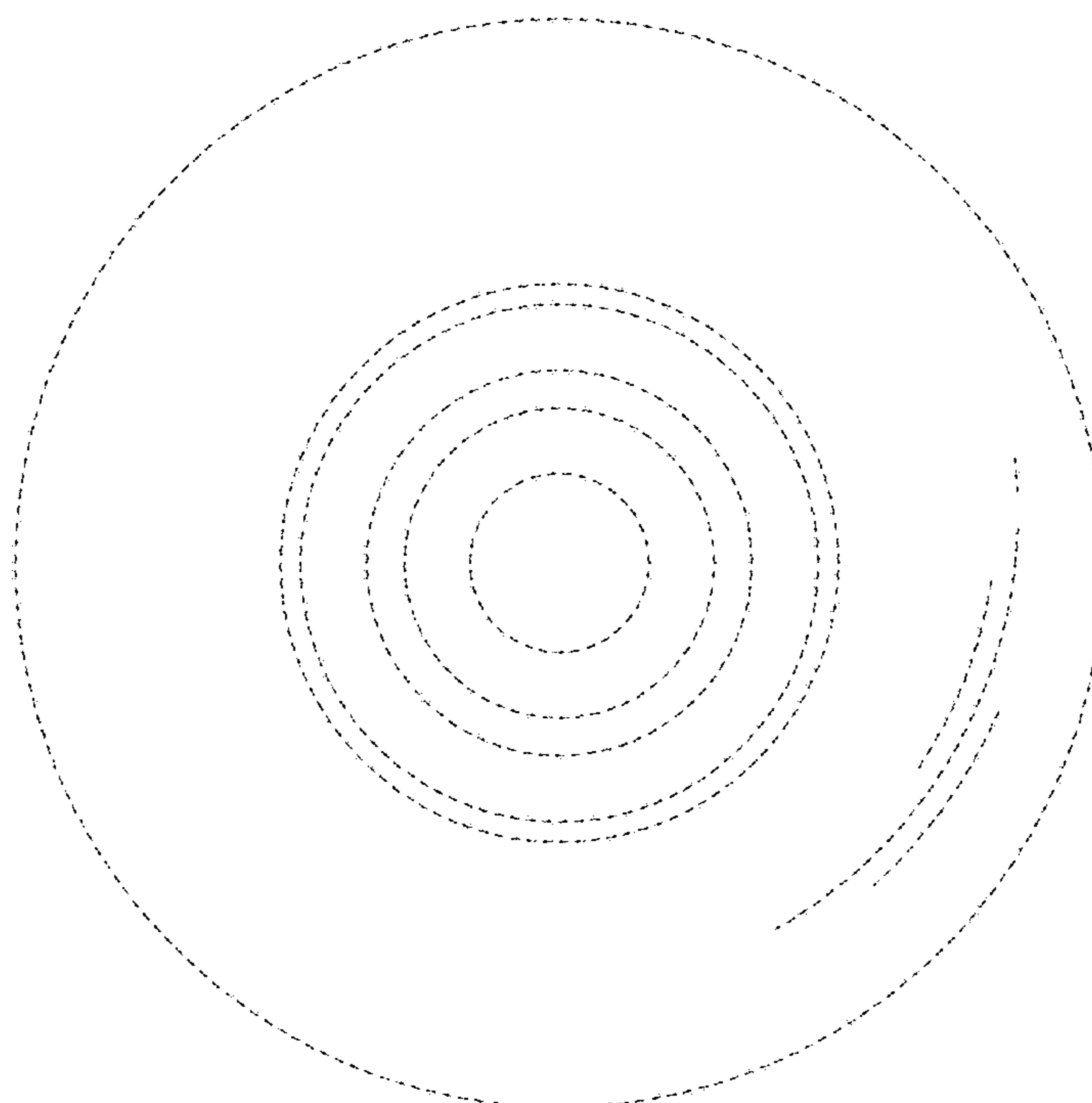


FIG. 7

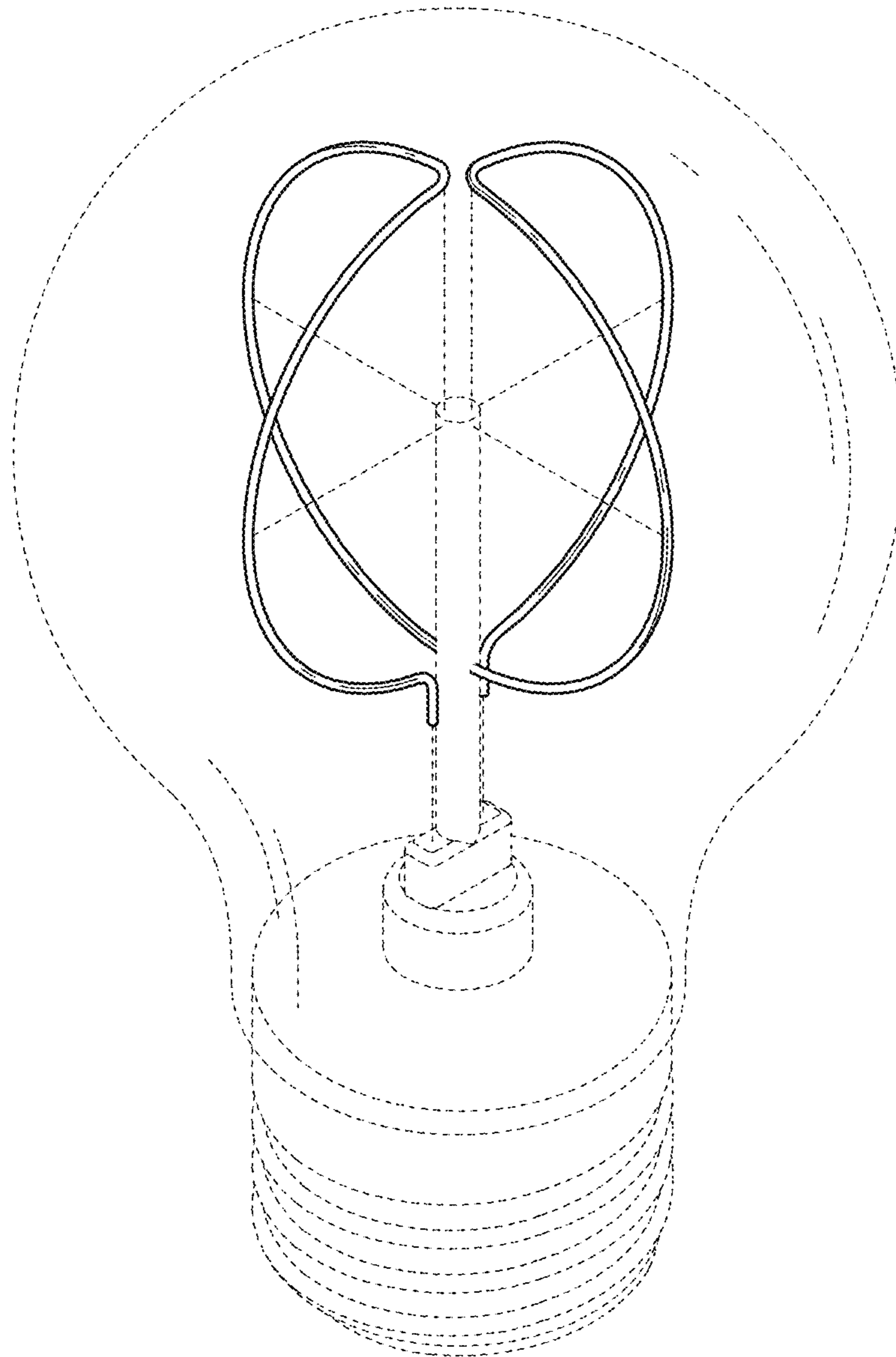


FIG. 8

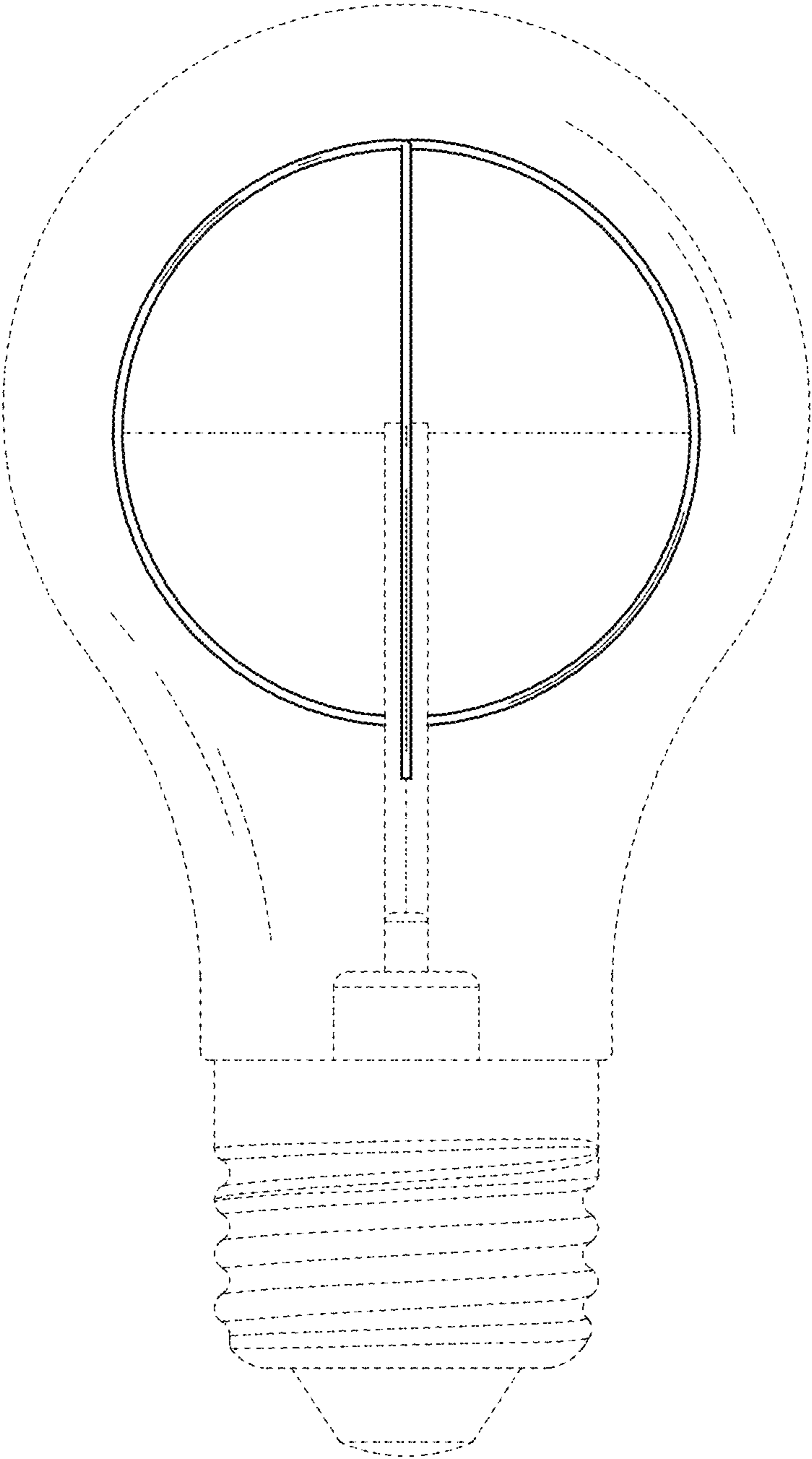


FIG.9

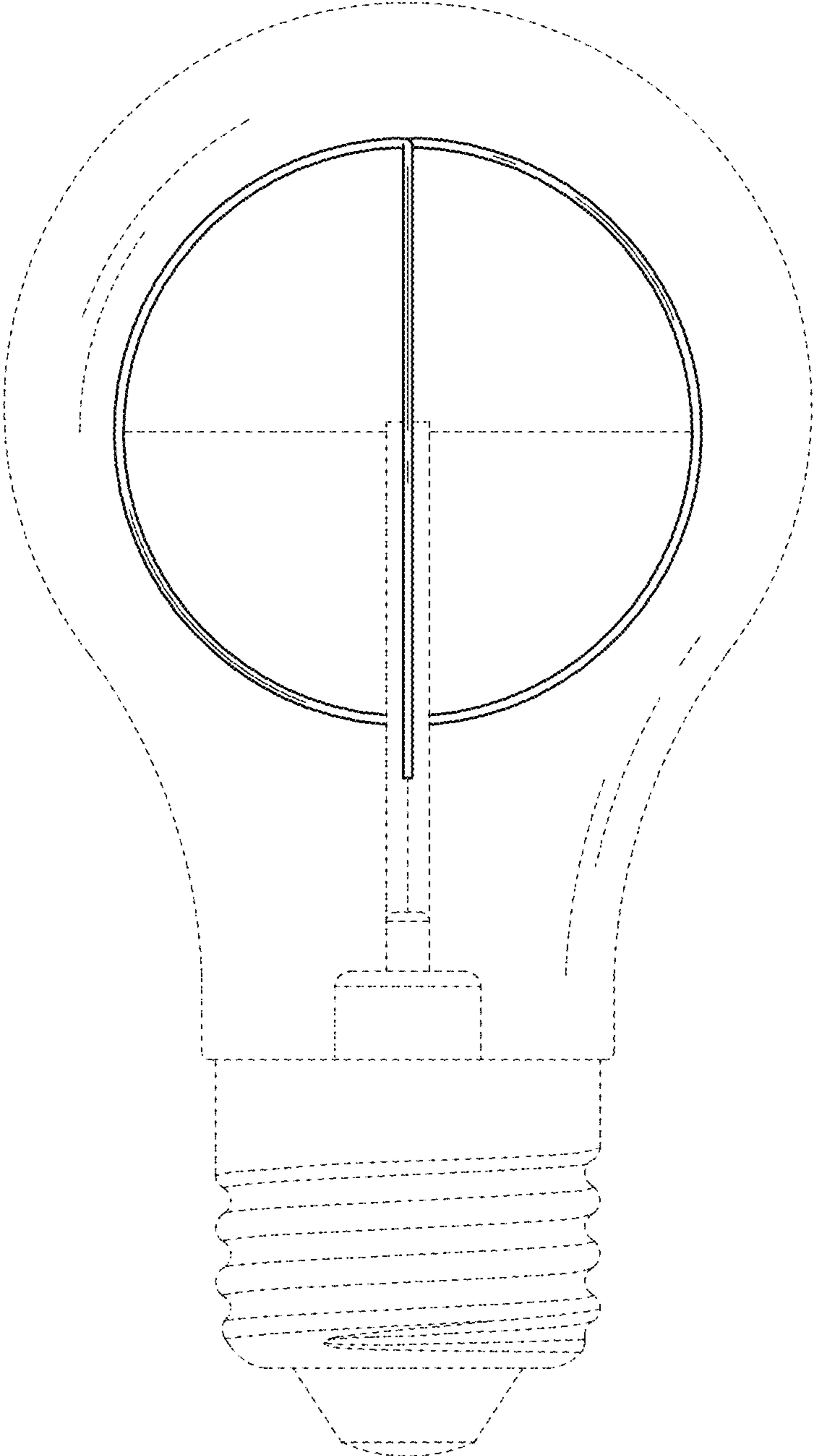


FIG. 10

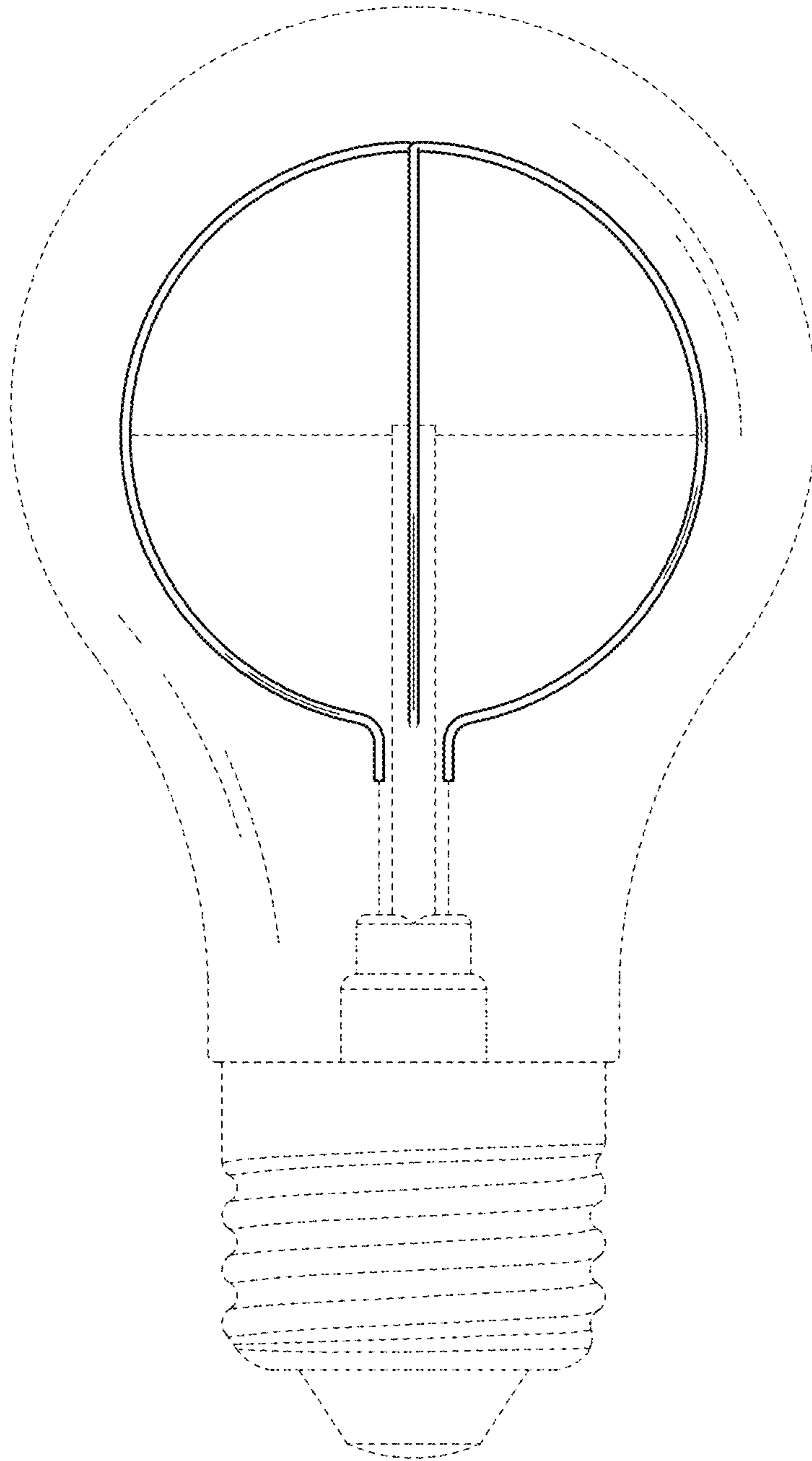


FIG. 11

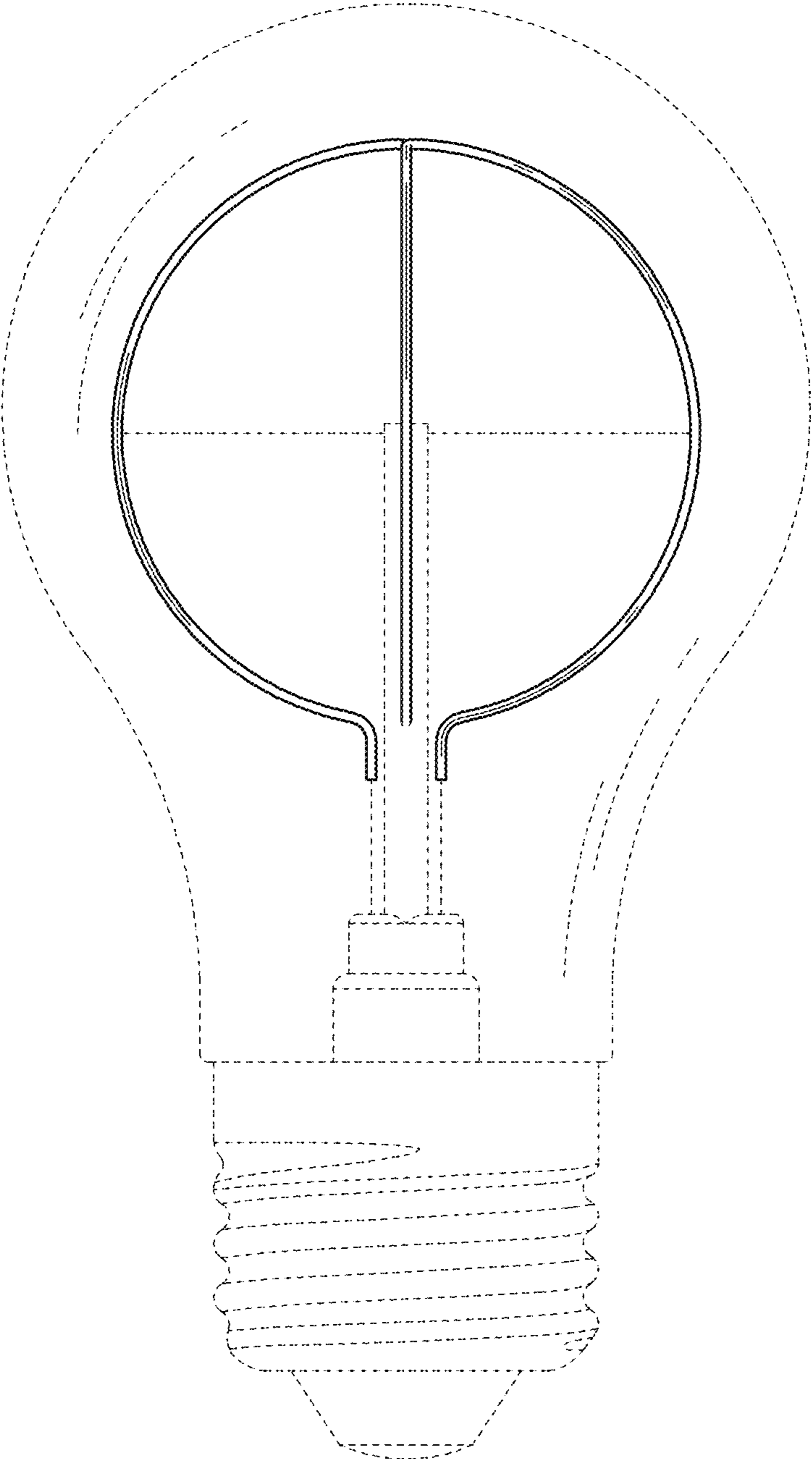


FIG.12

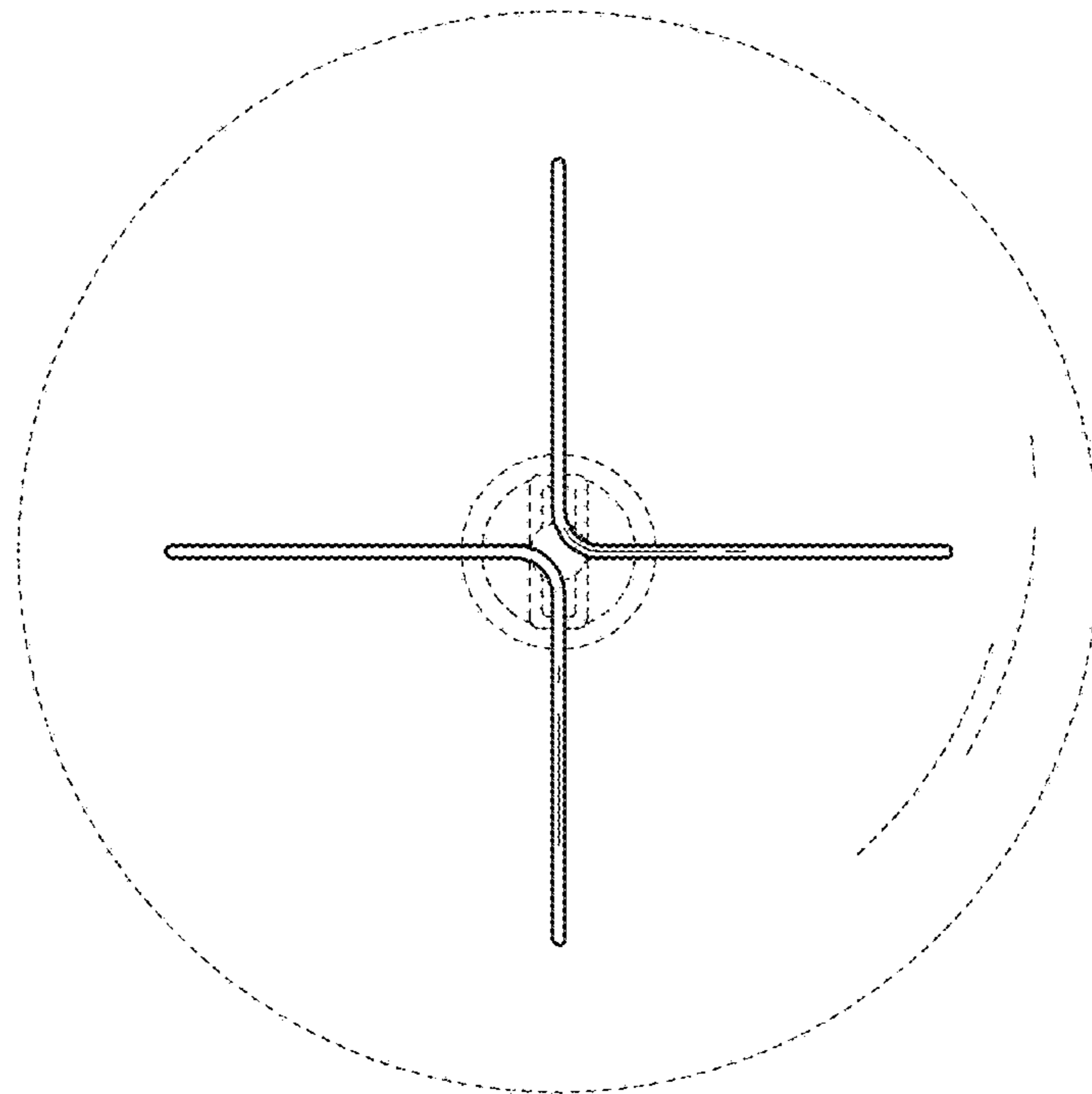


FIG. 13

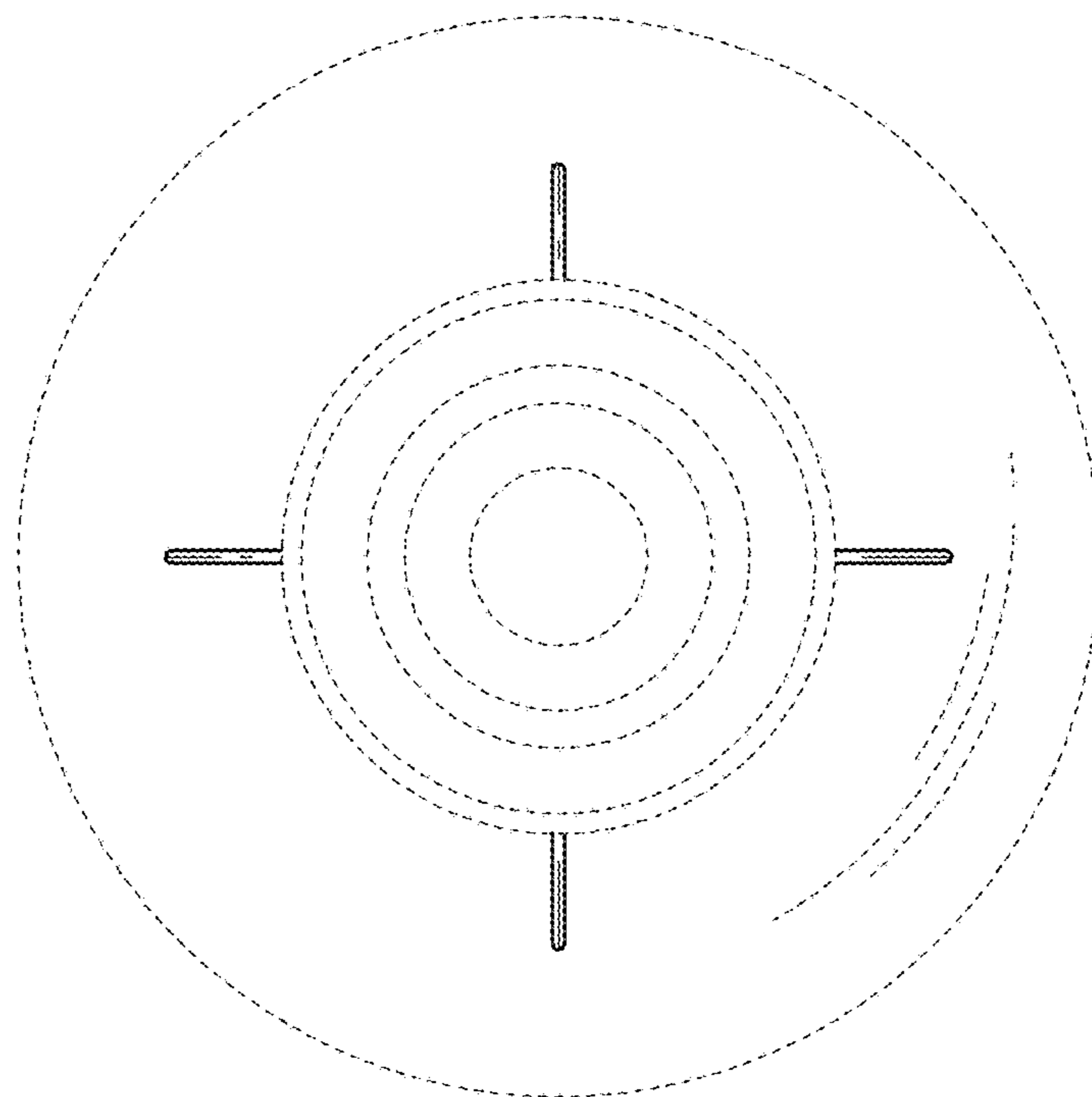


FIG. 14

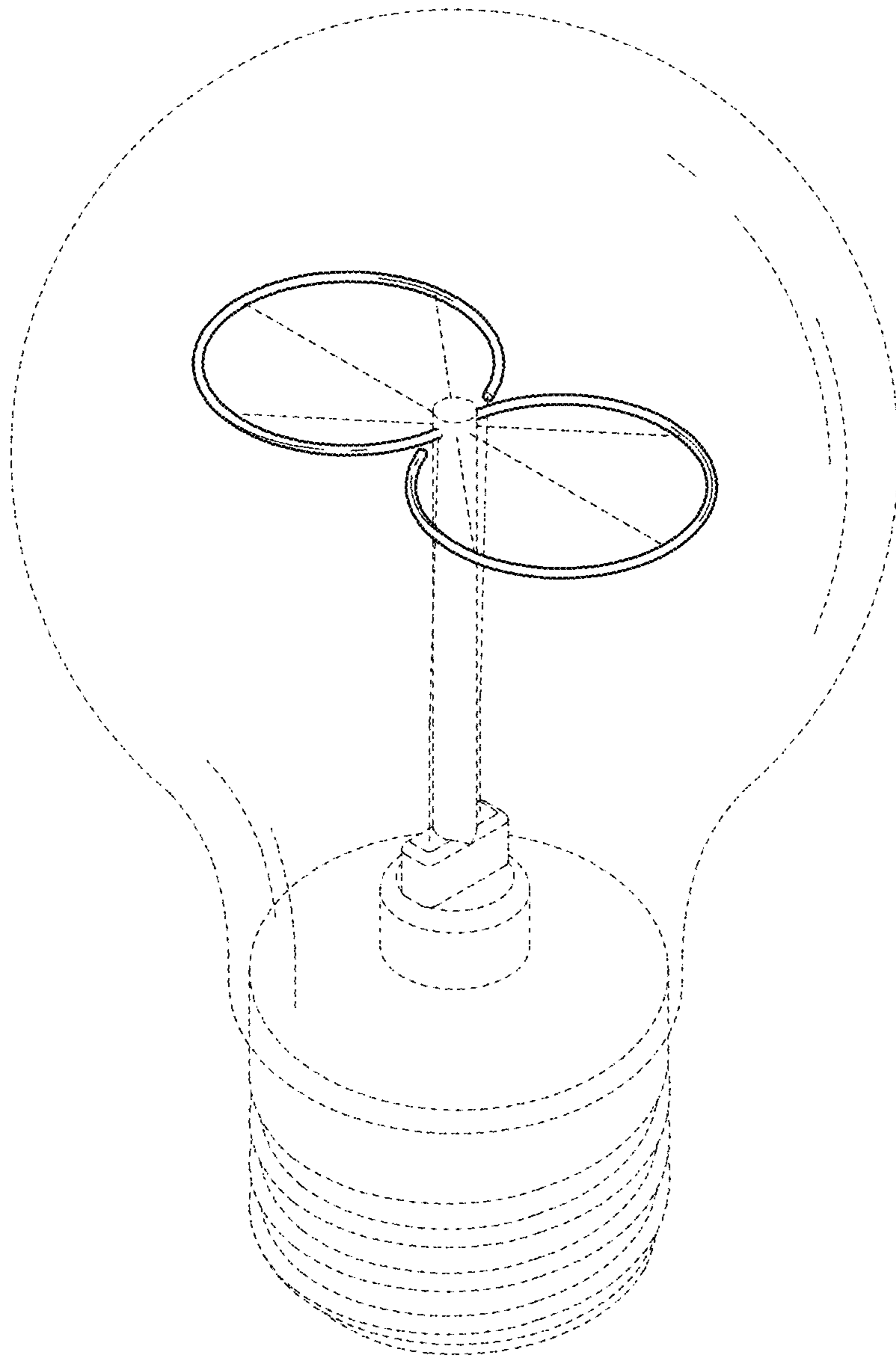


FIG.15

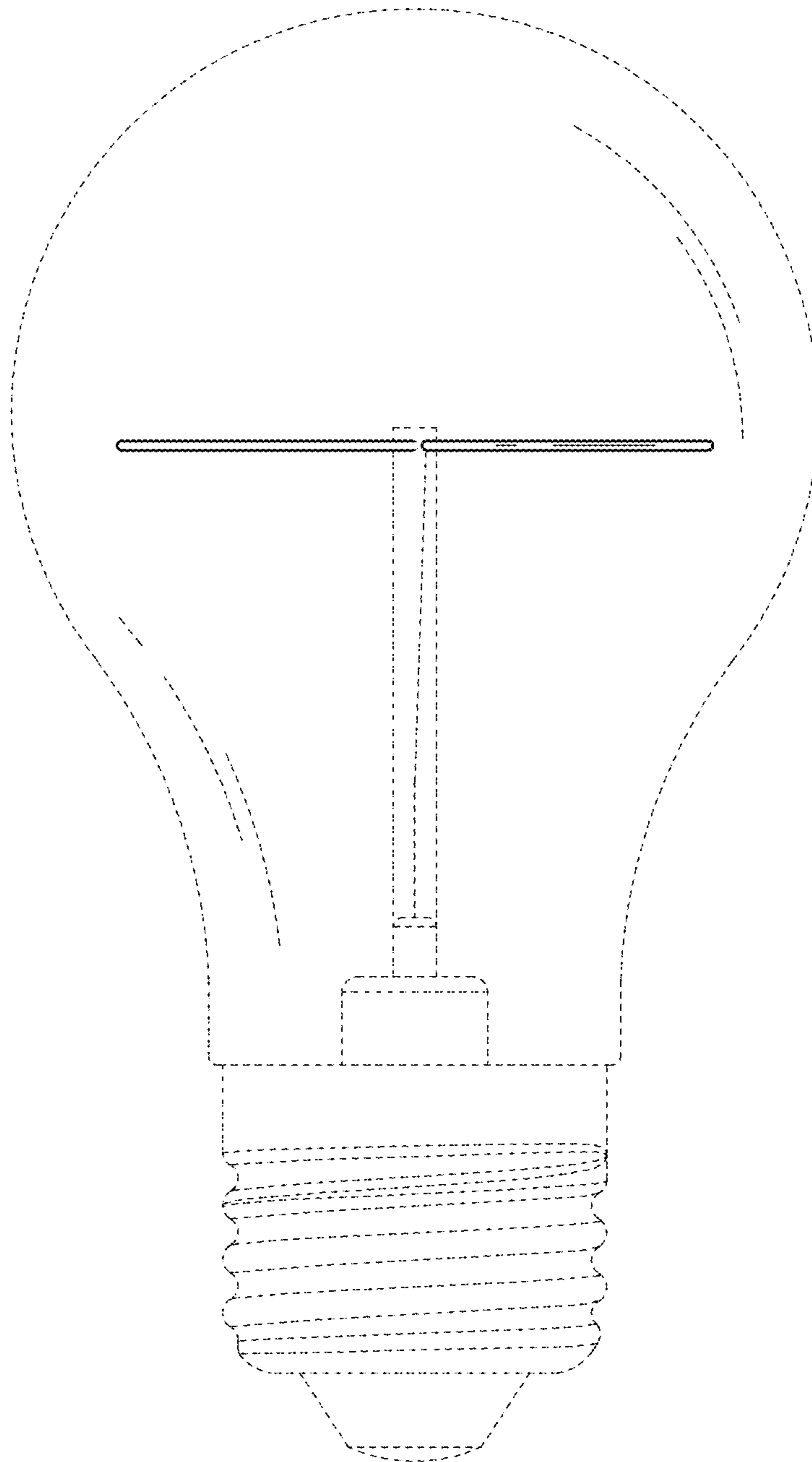


FIG. 16

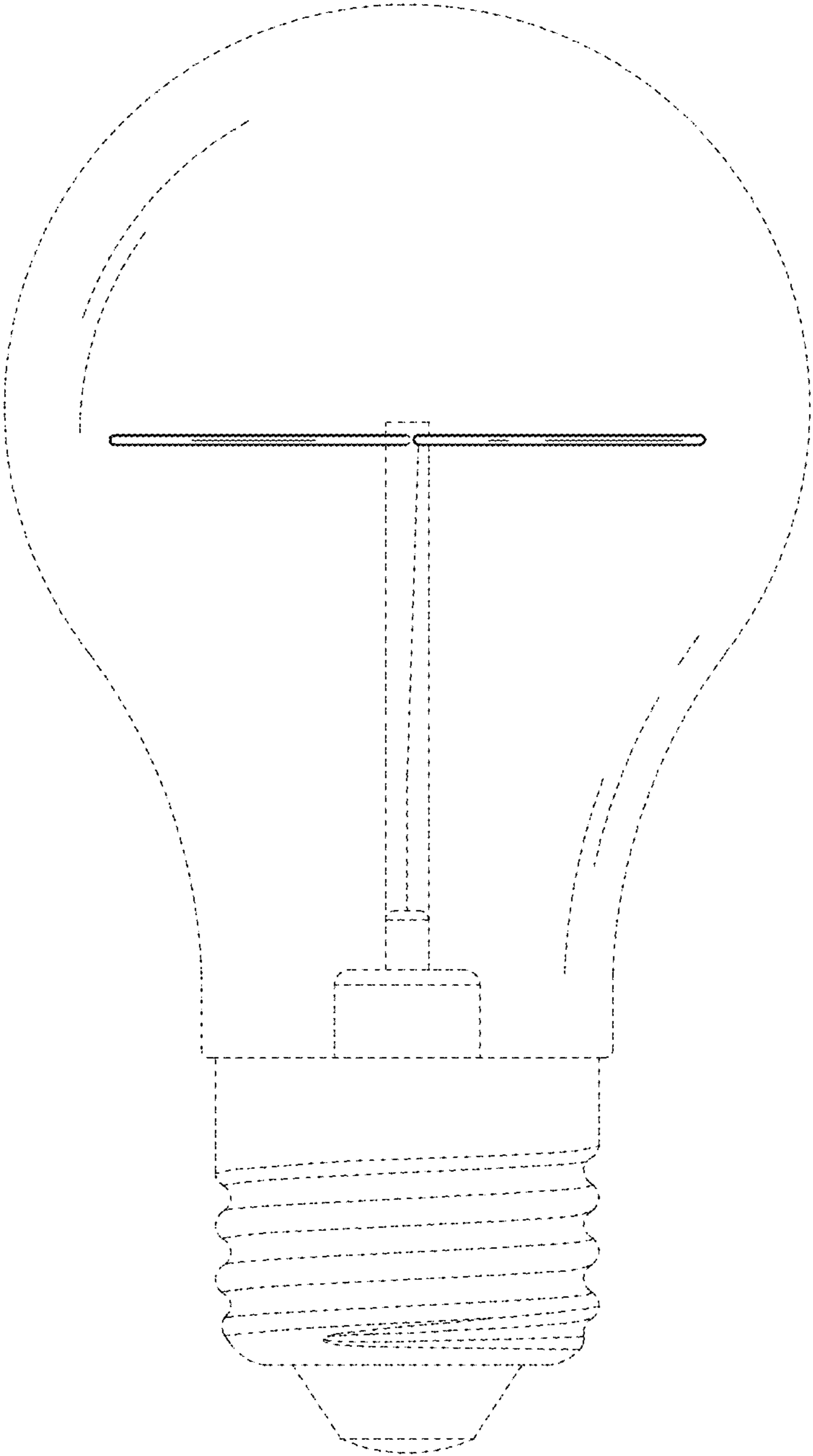


FIG.17

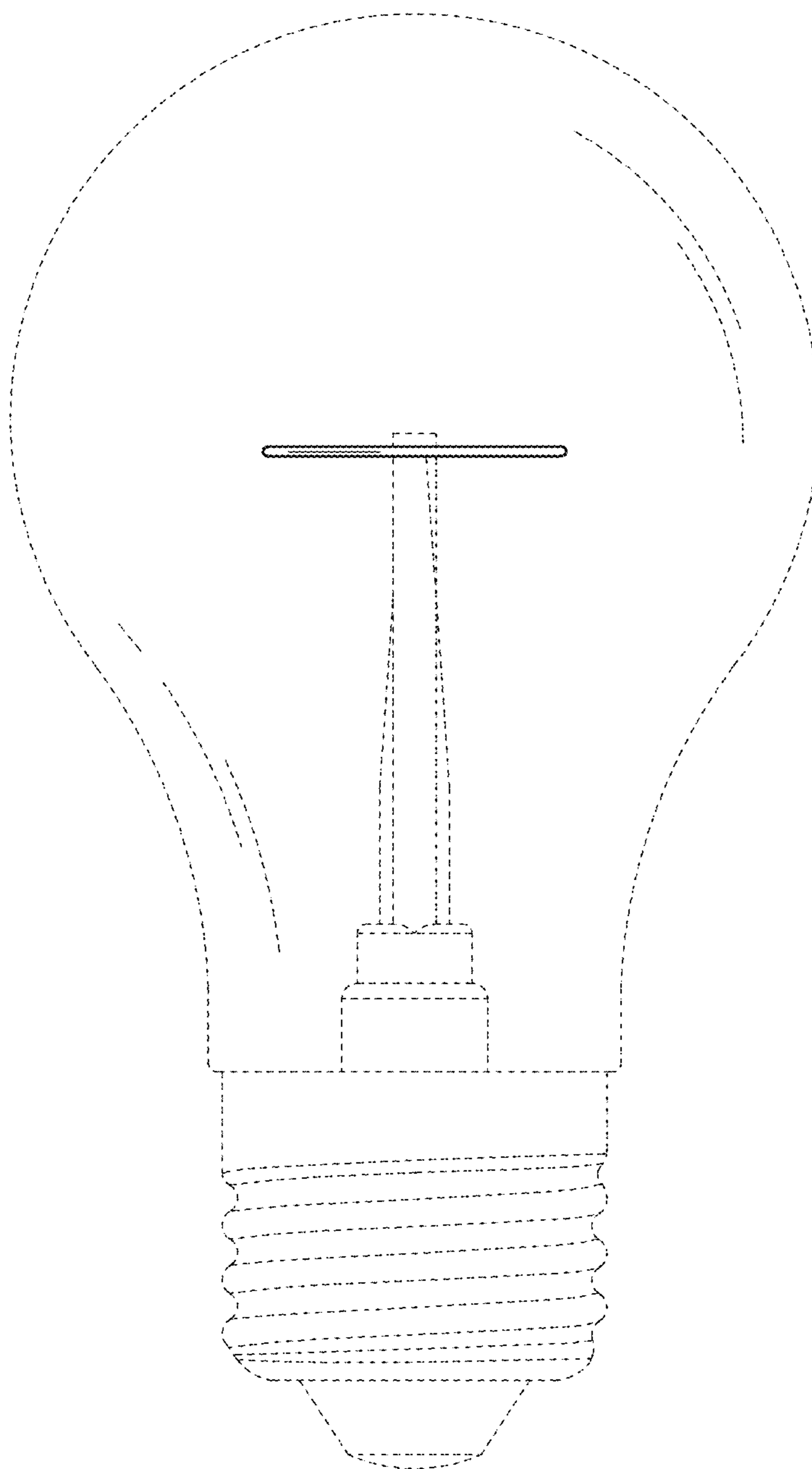


FIG. 18

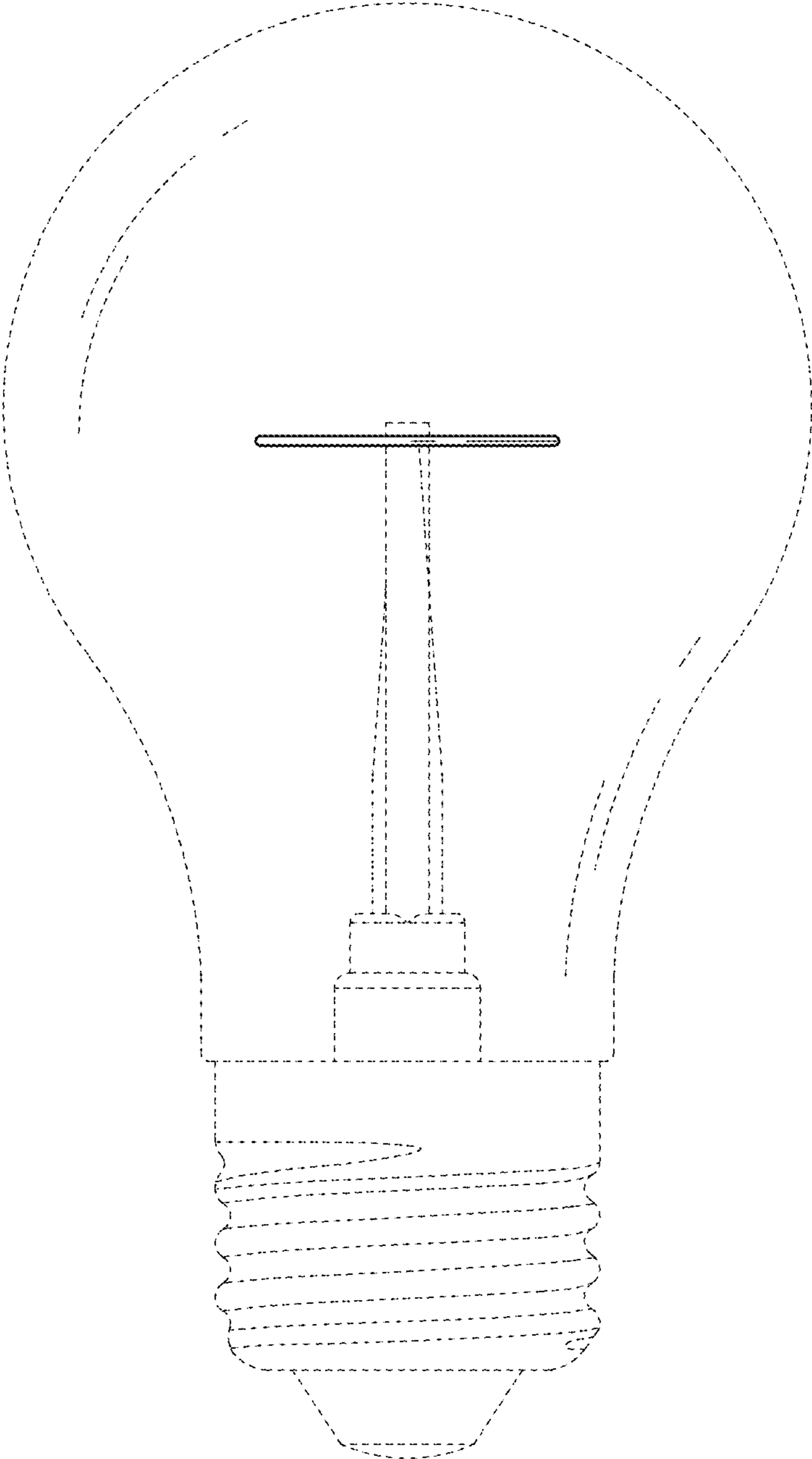


FIG. 19

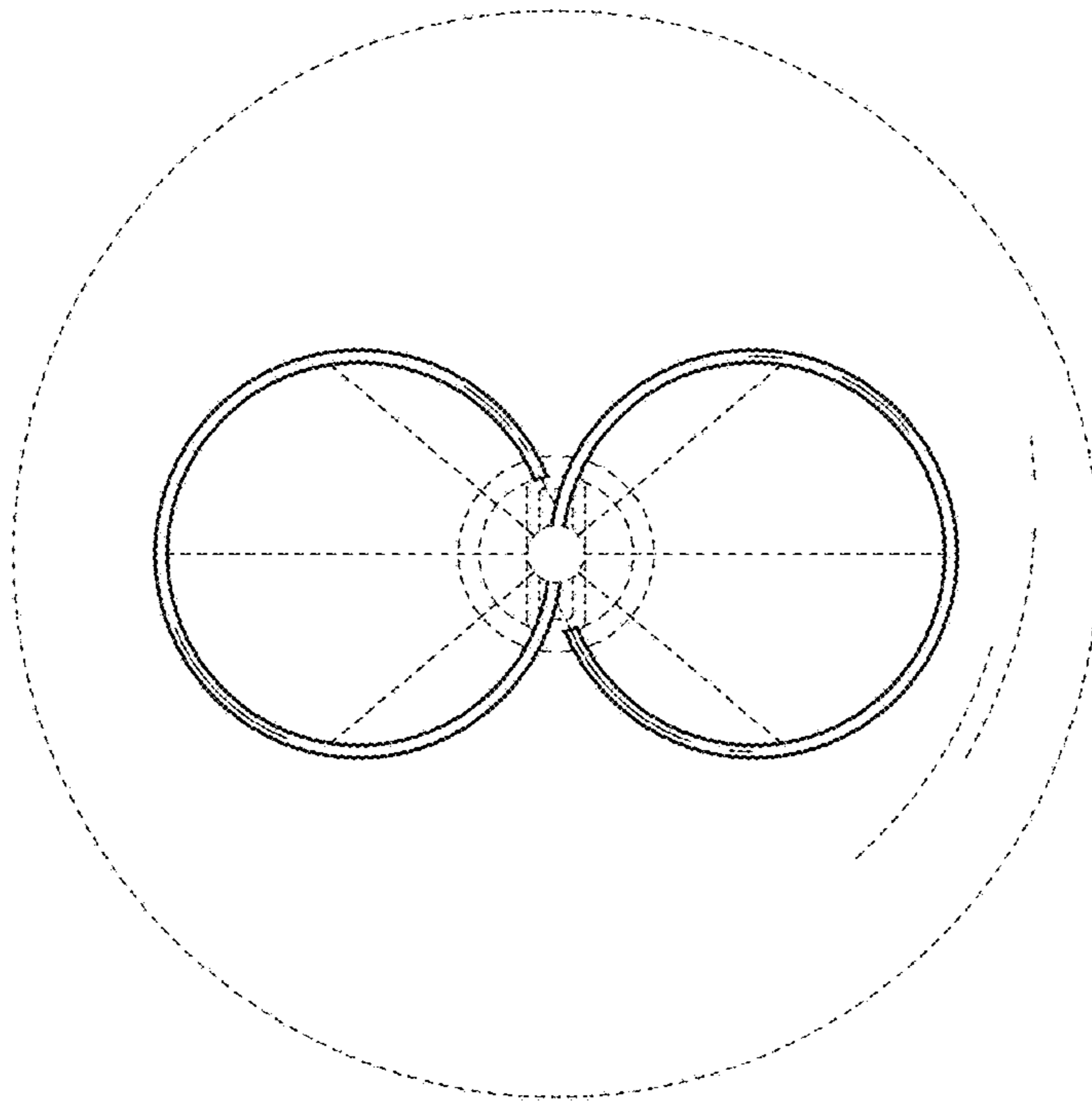


FIG. 20

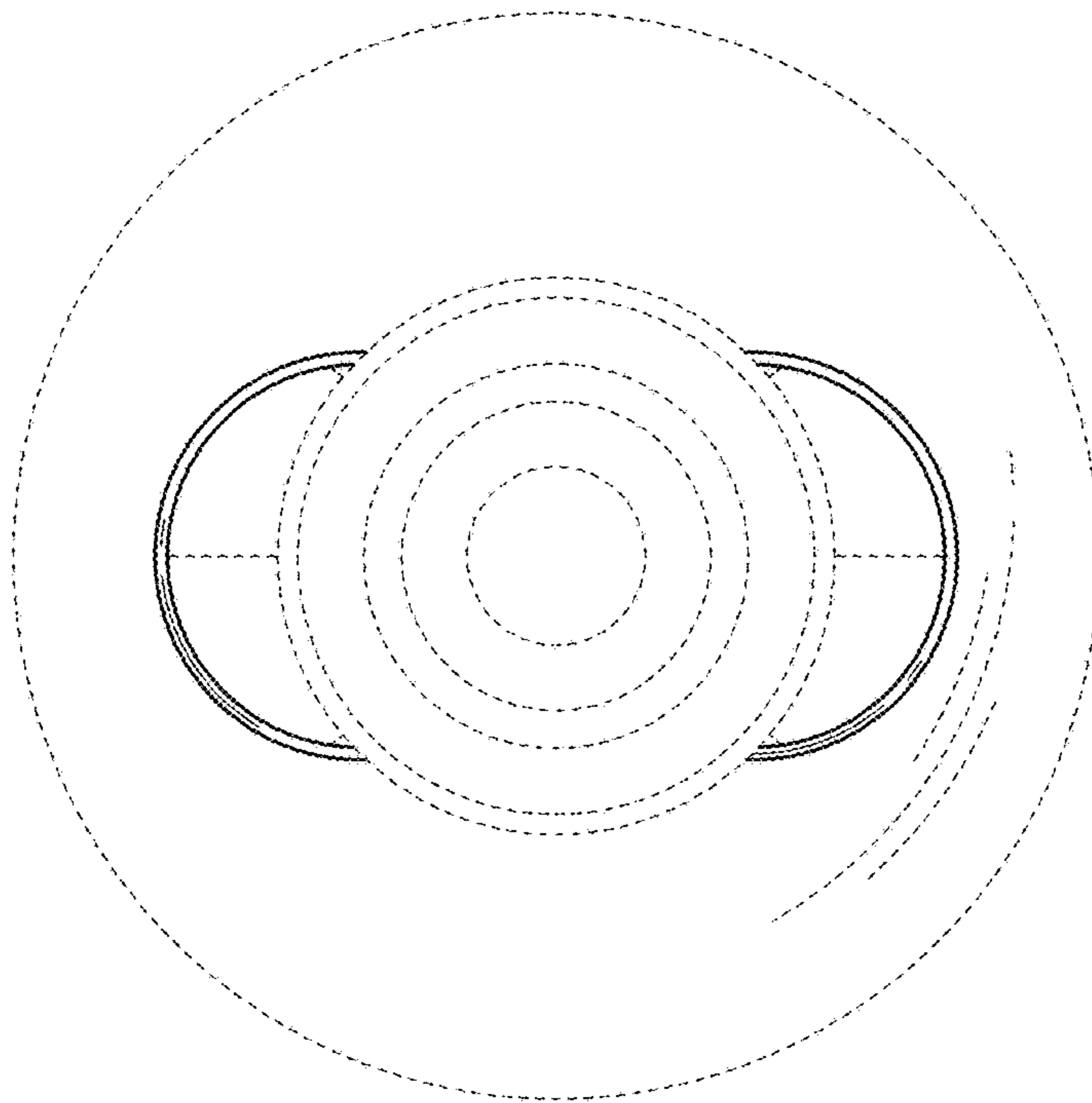


FIG. 21

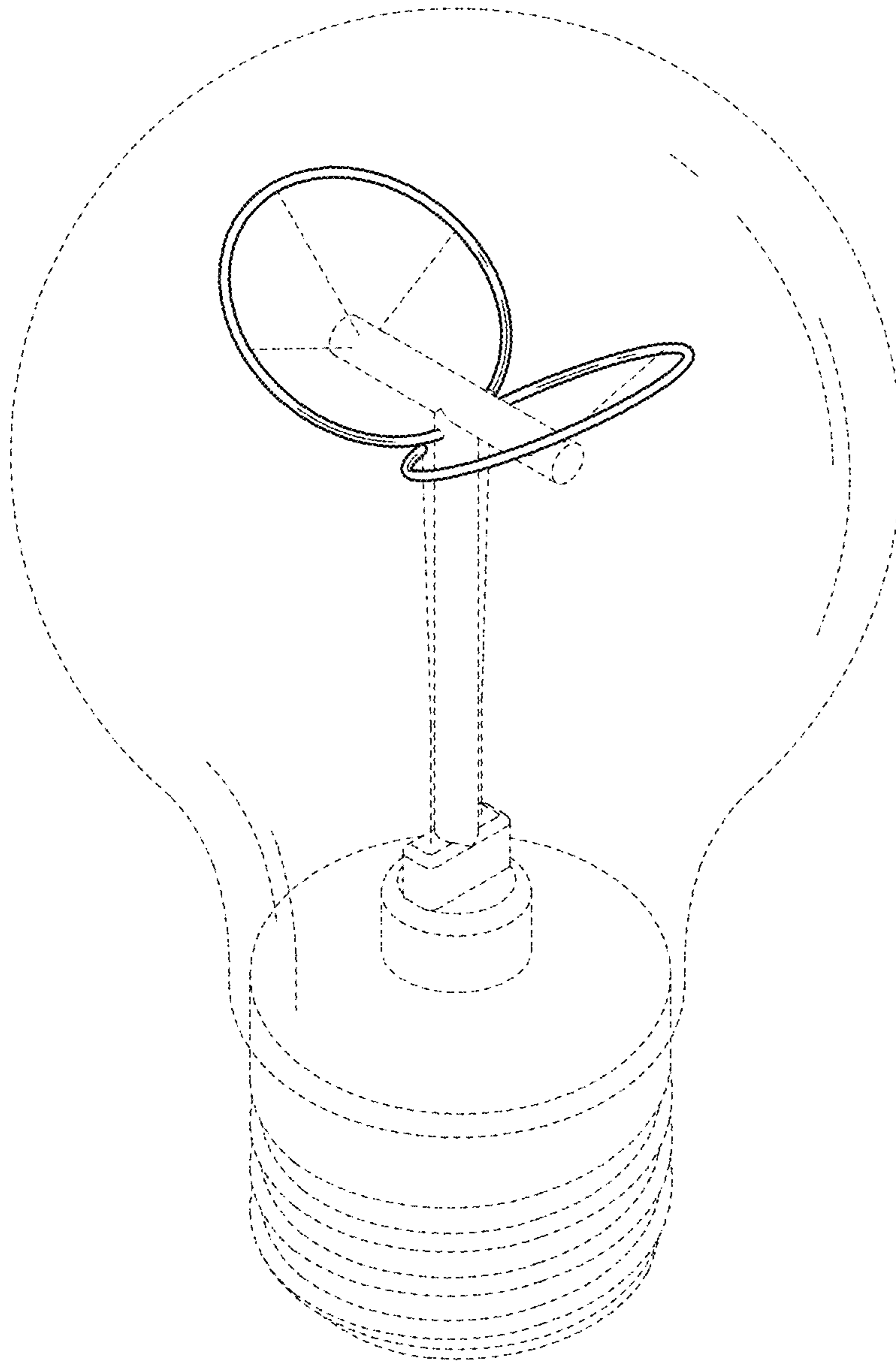


FIG.22

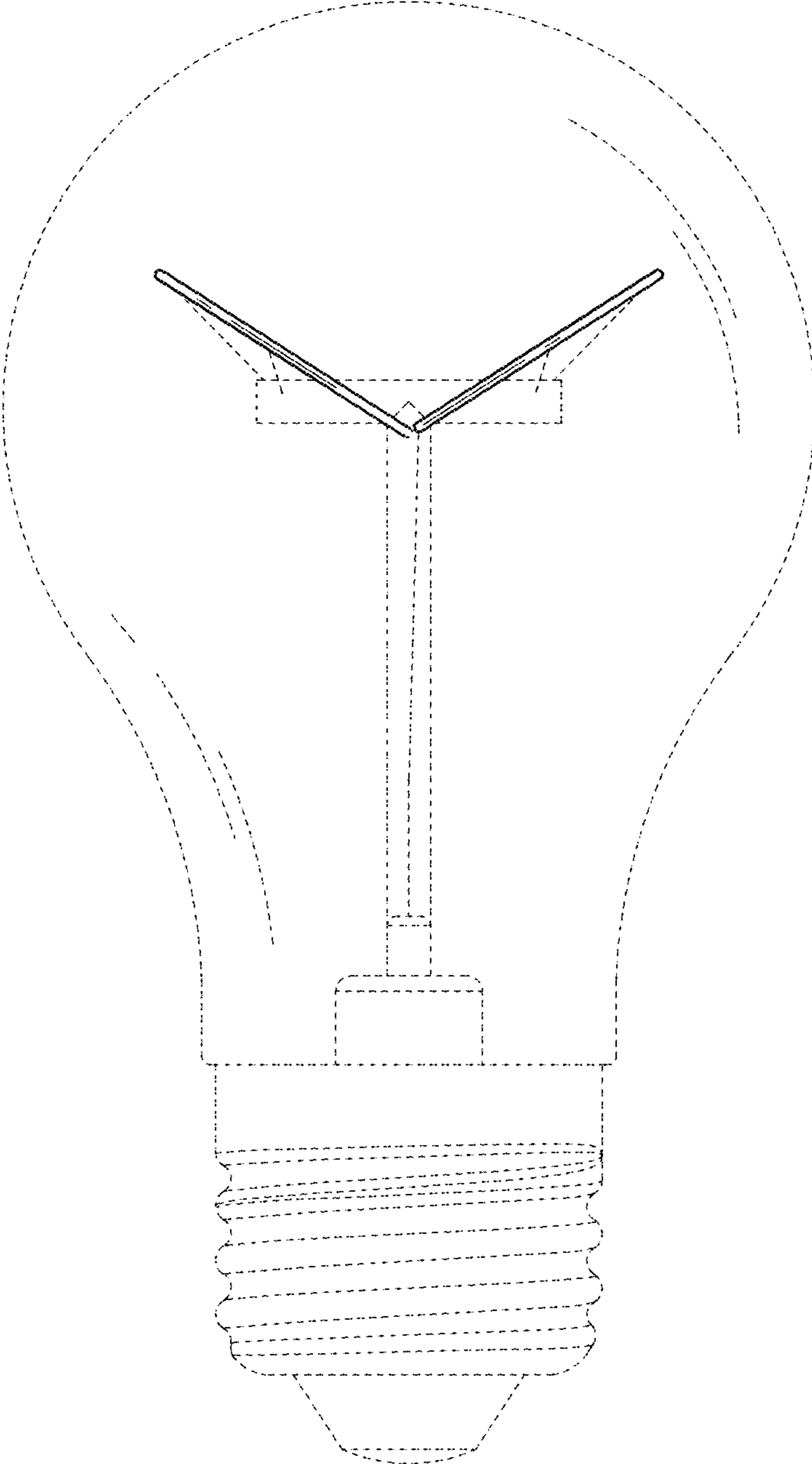


FIG.23

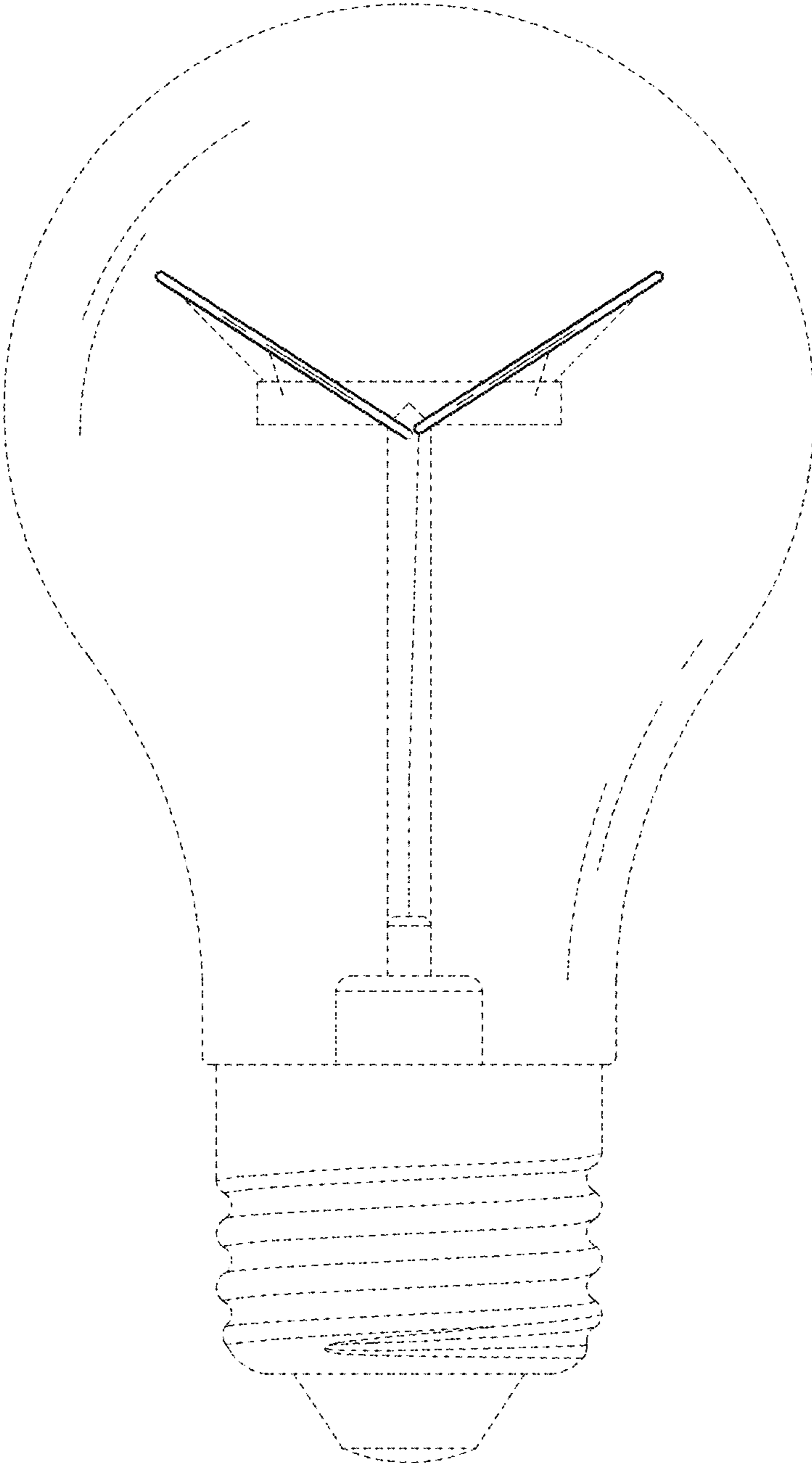


FIG.24

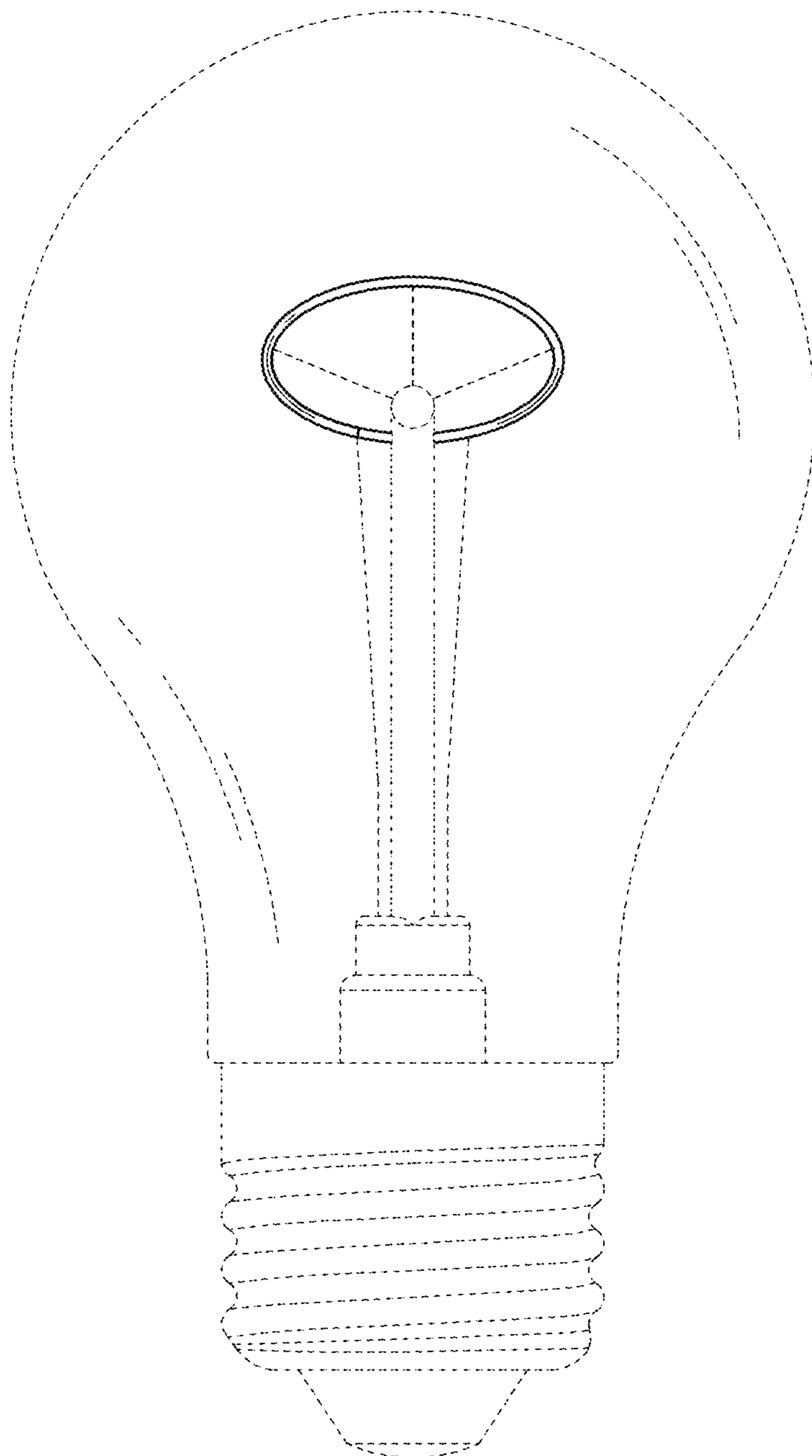


FIG.25

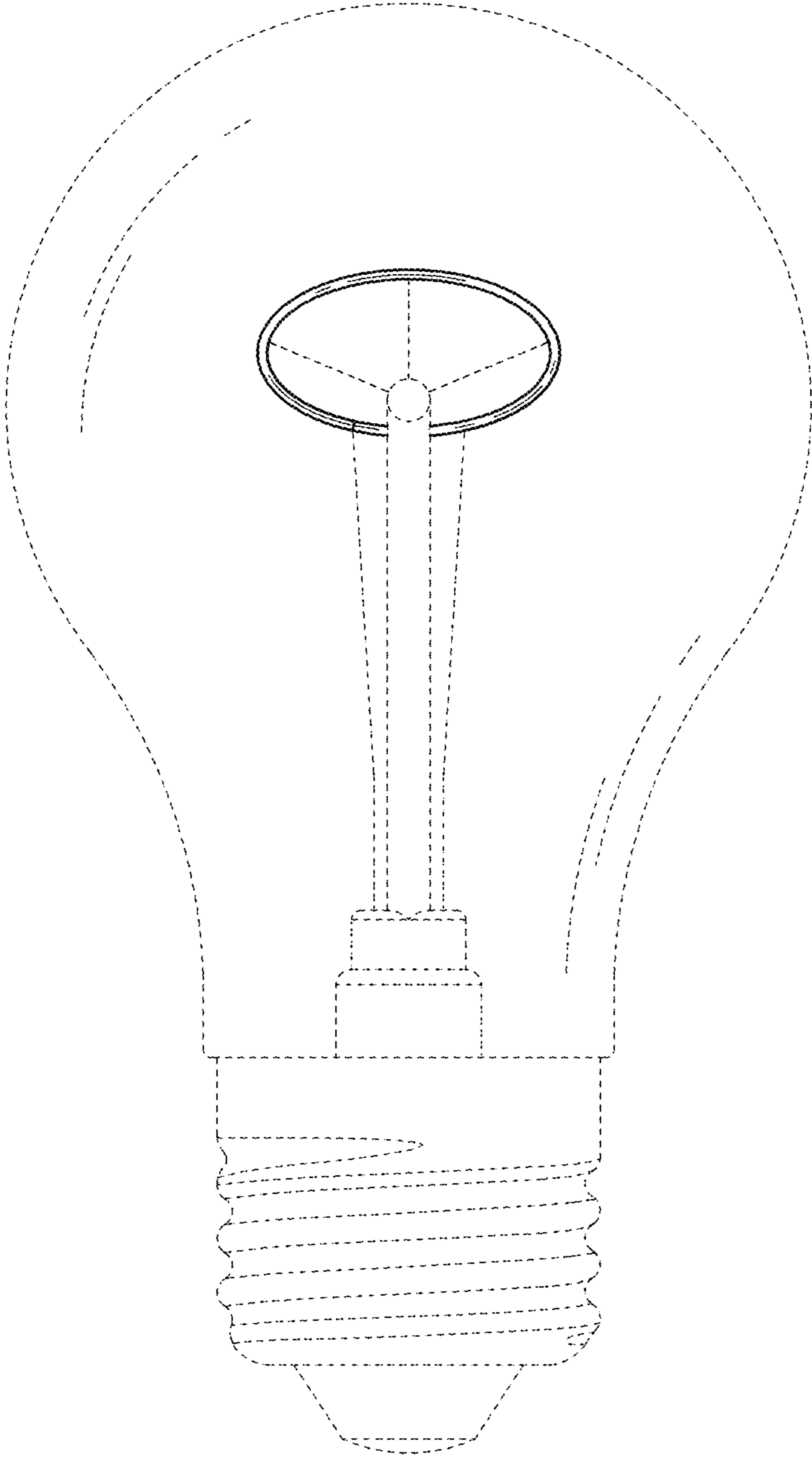


FIG.26

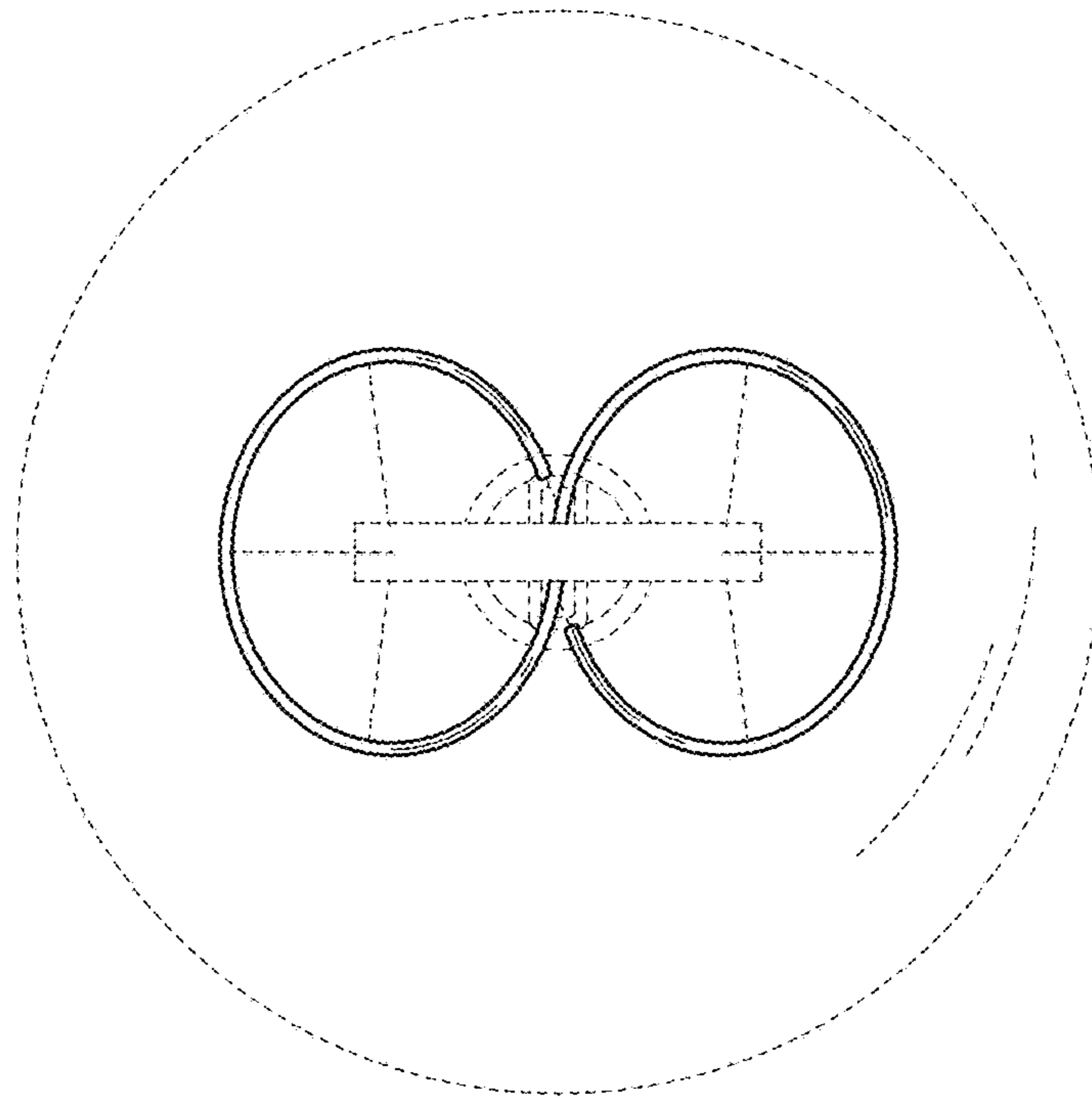


FIG. 27

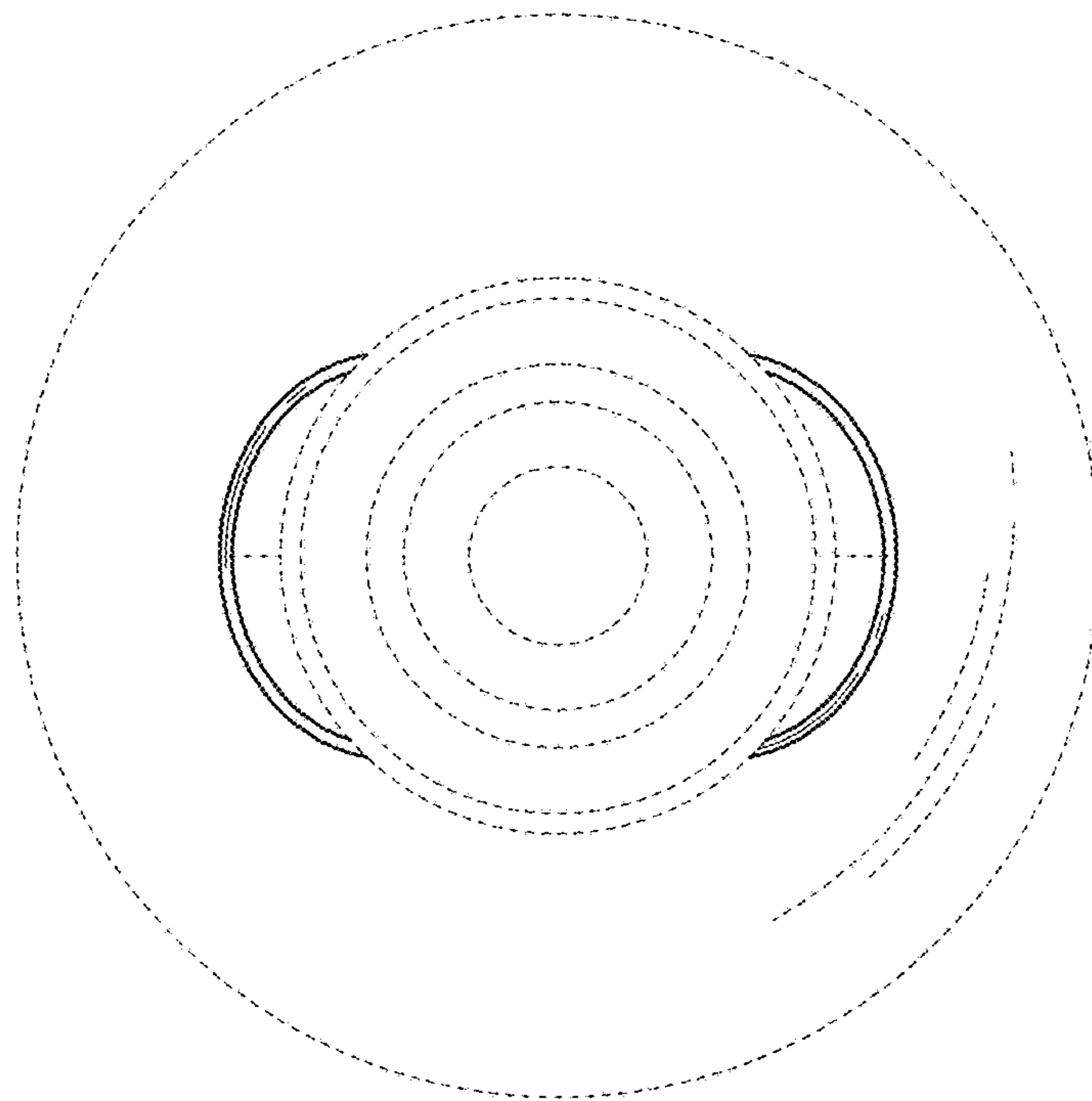


FIG. 28

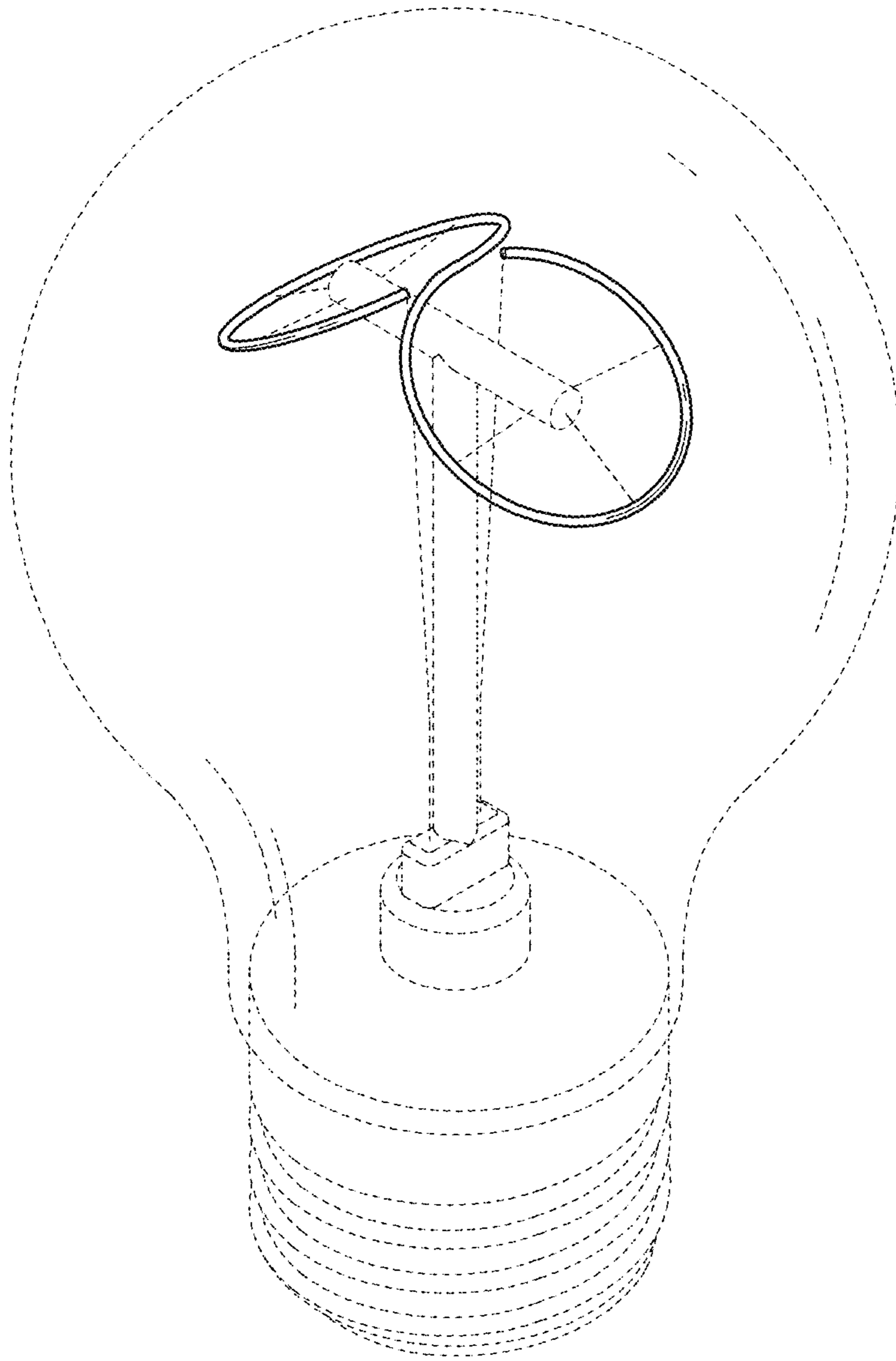


FIG.29

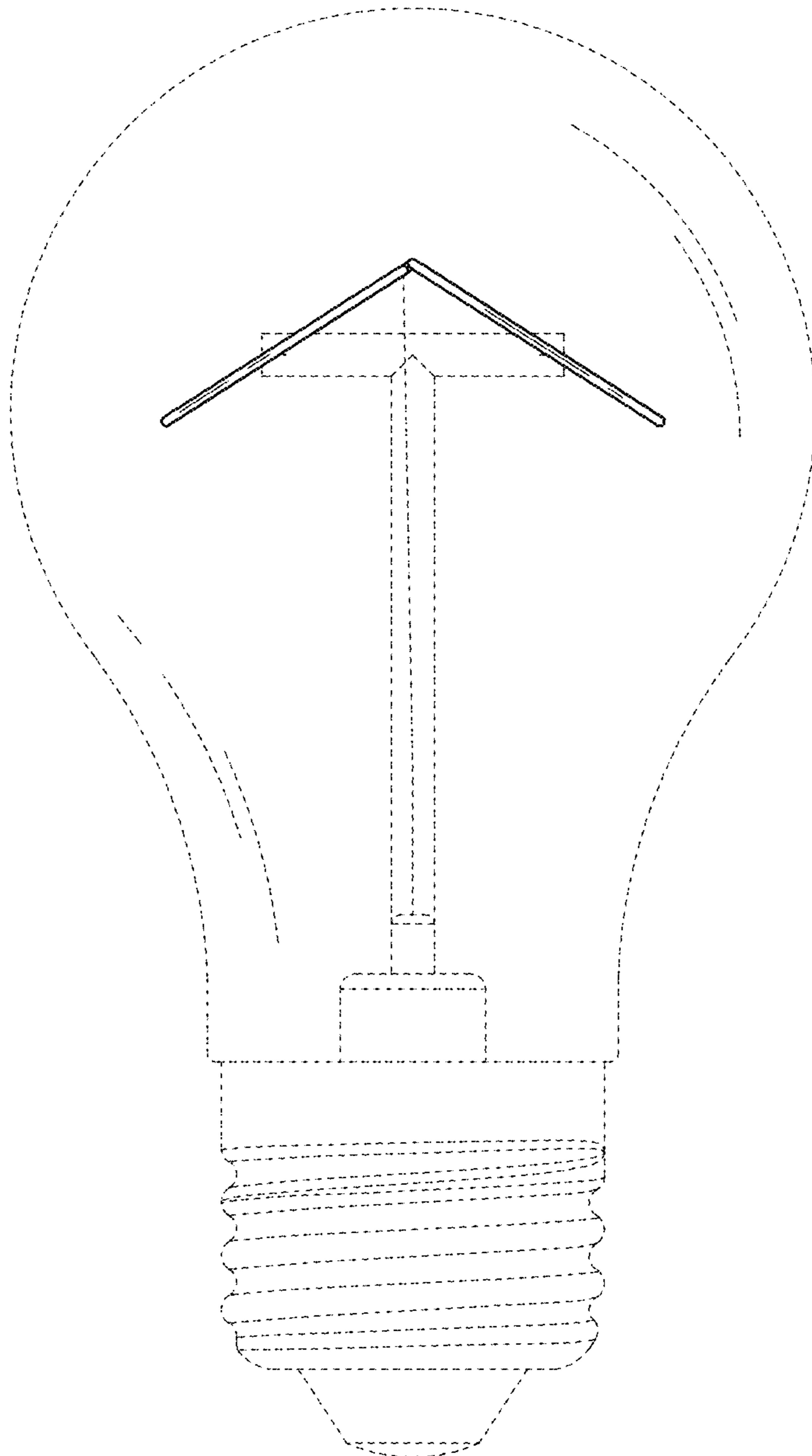


FIG.30

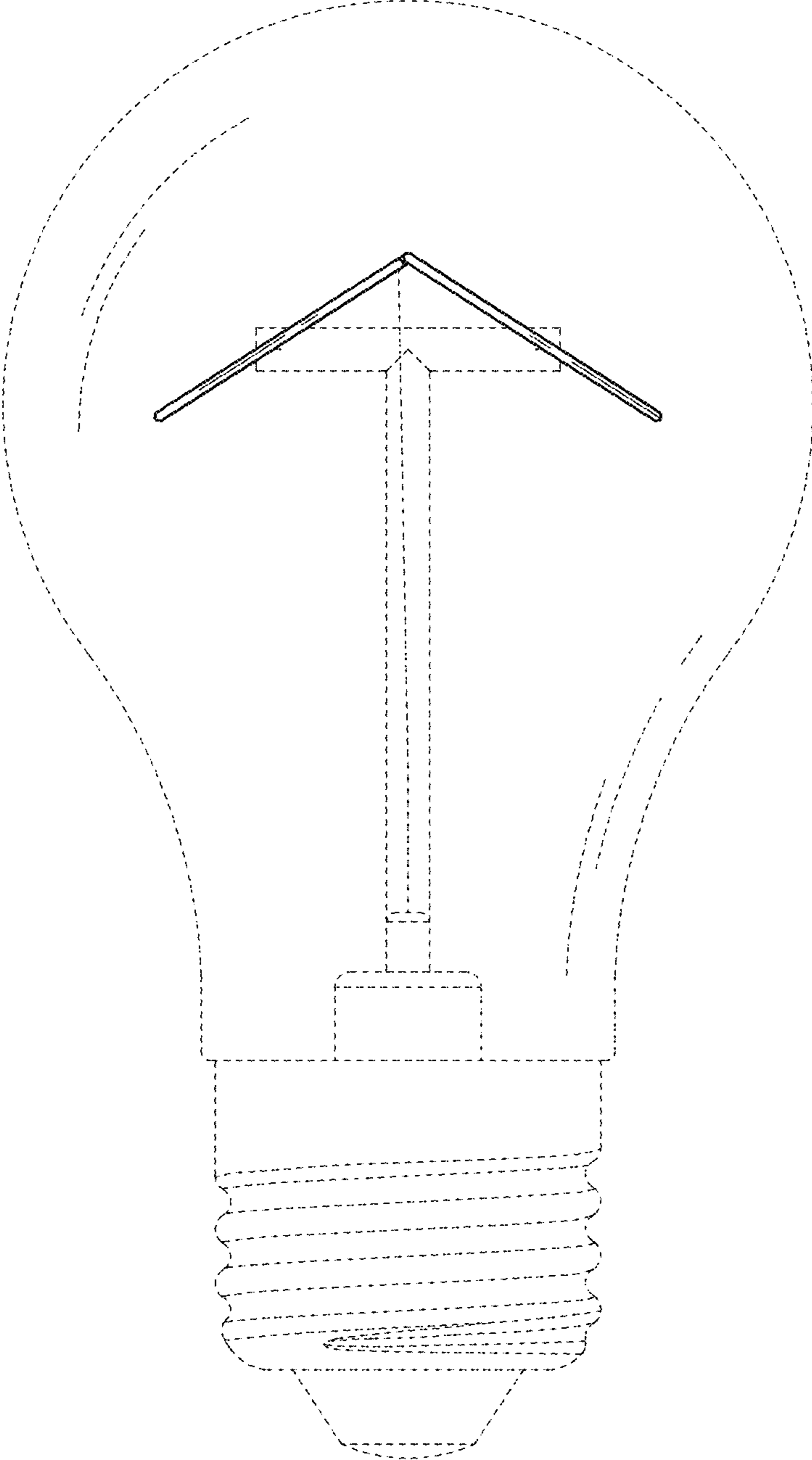


FIG.31

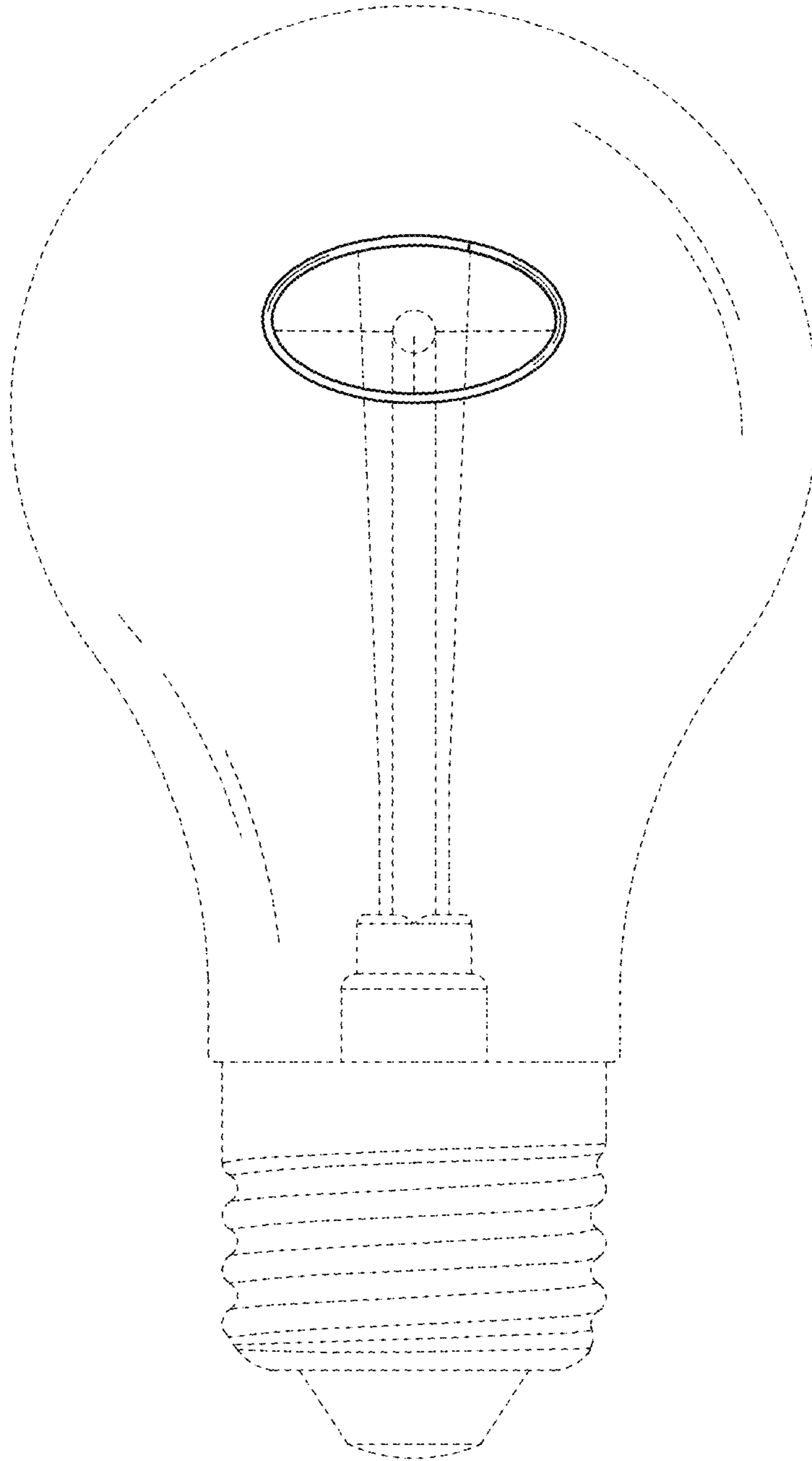


FIG.32

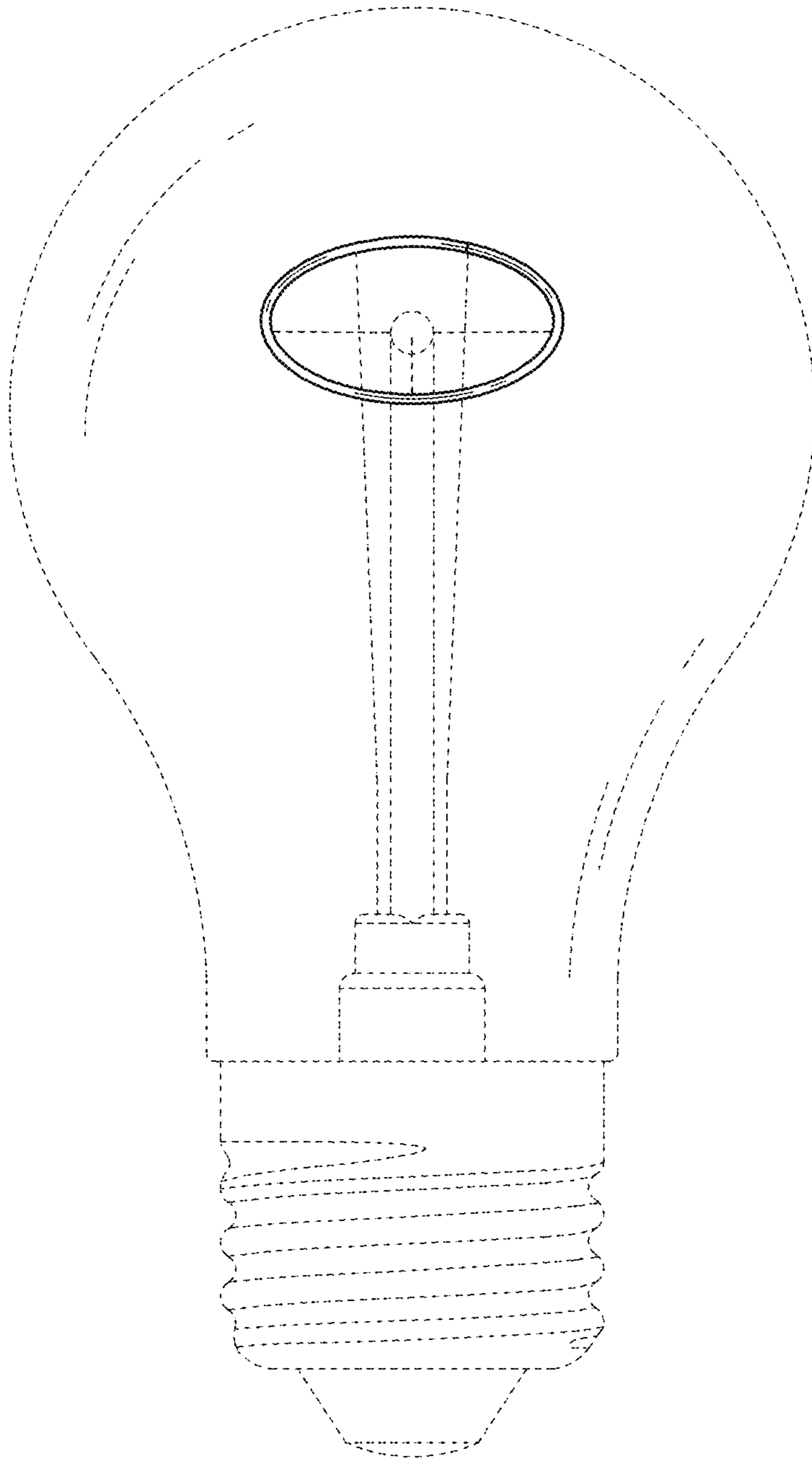


FIG.33

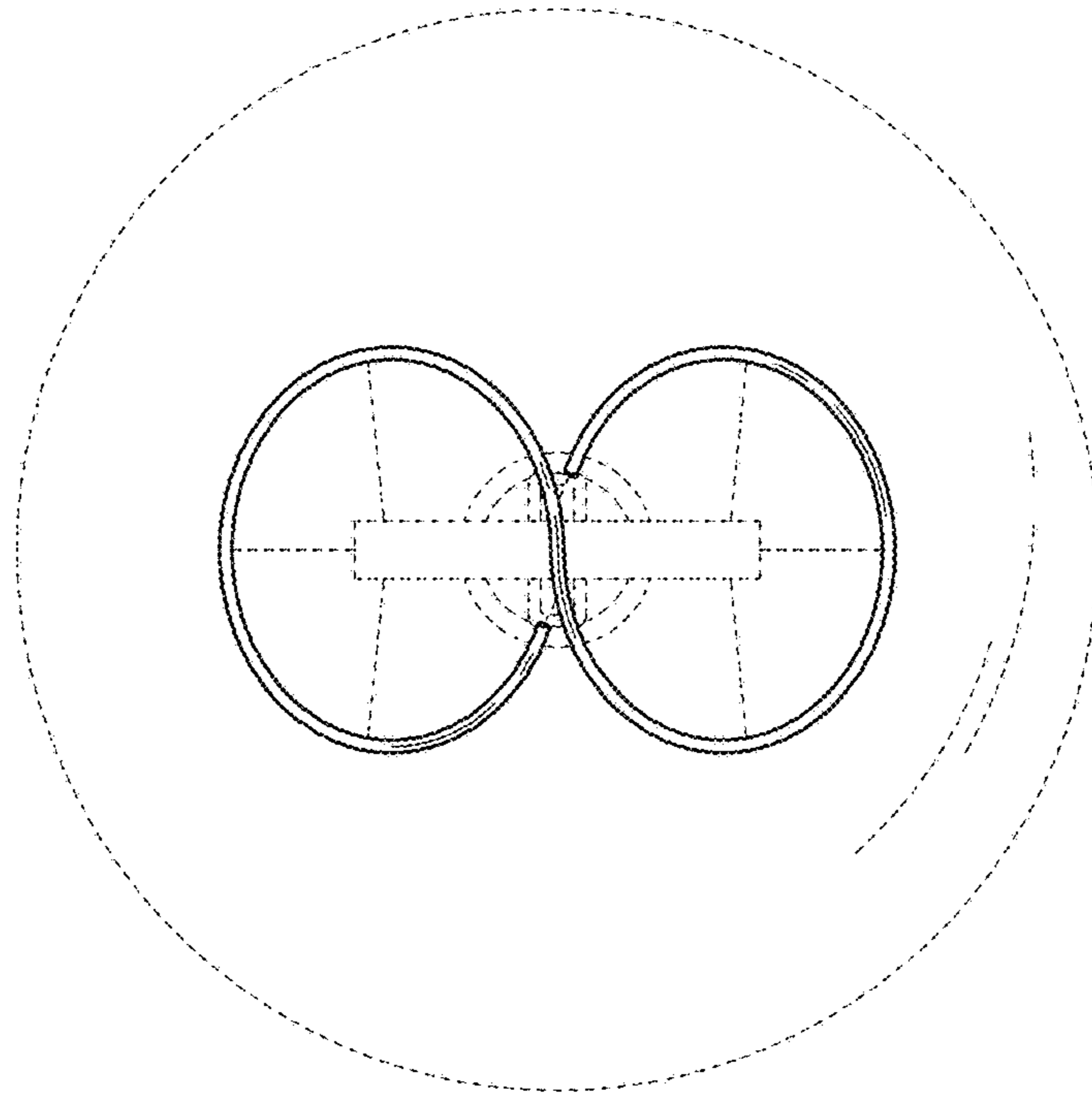


FIG.34

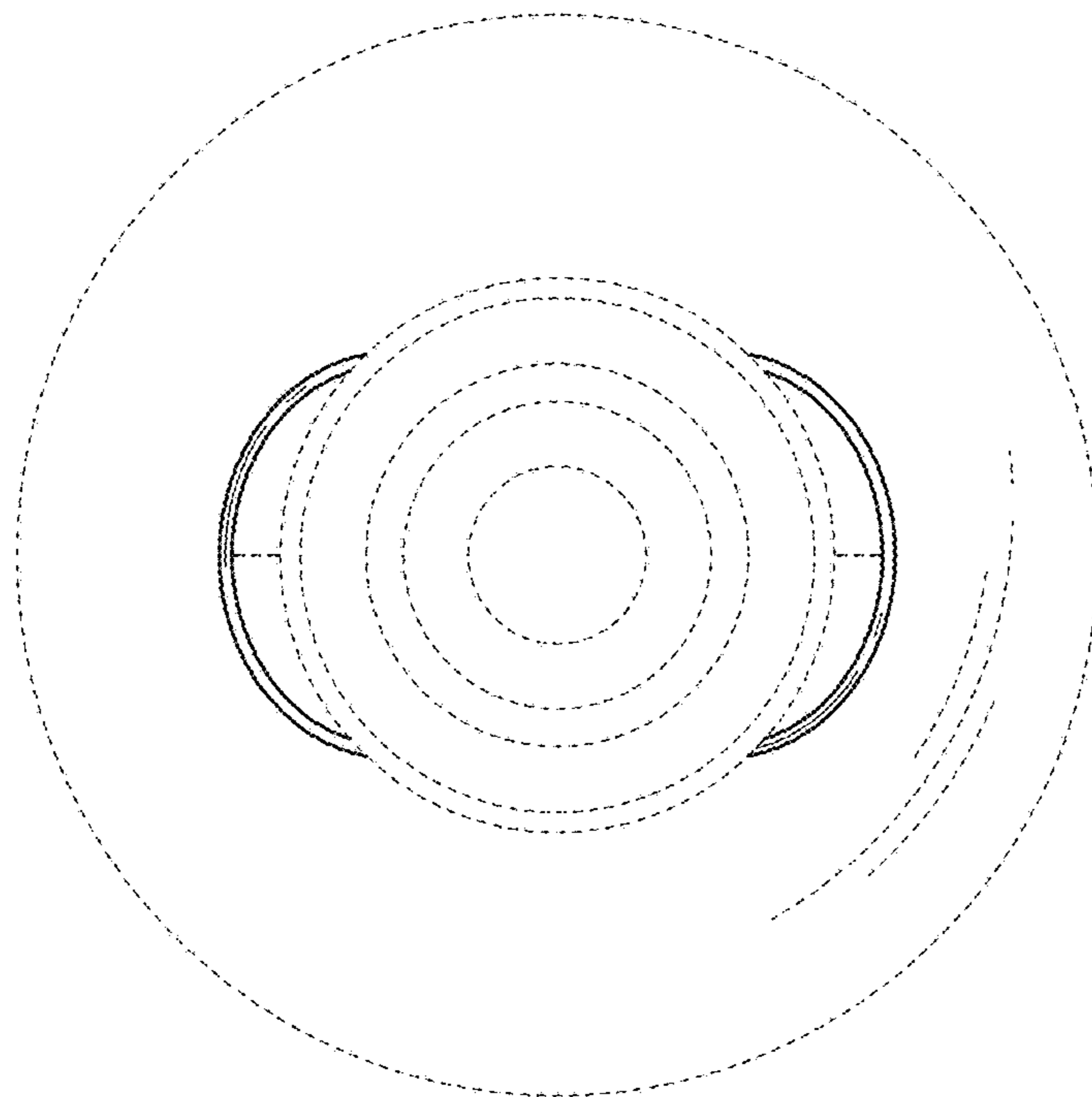


FIG.35

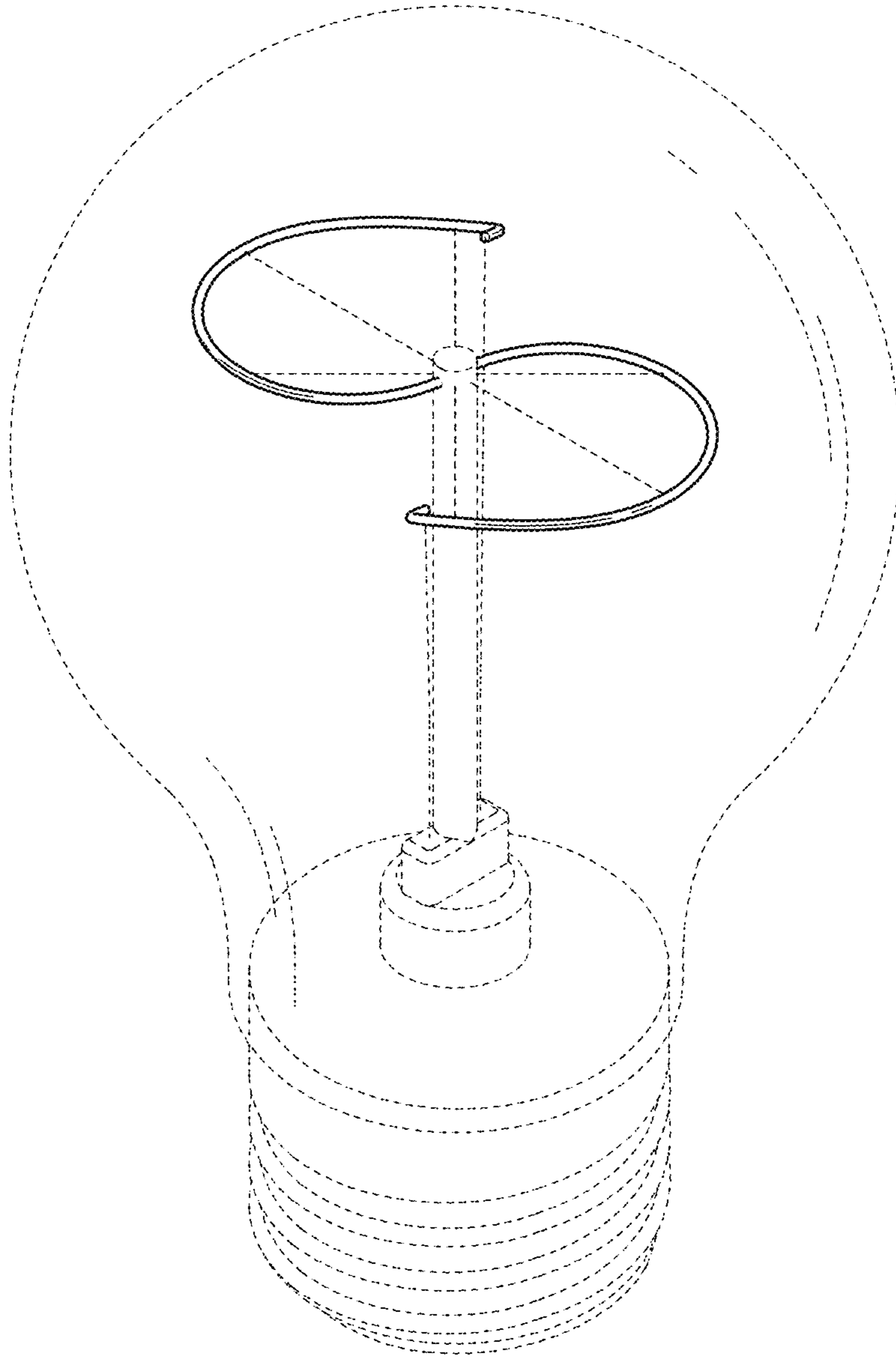


FIG.36

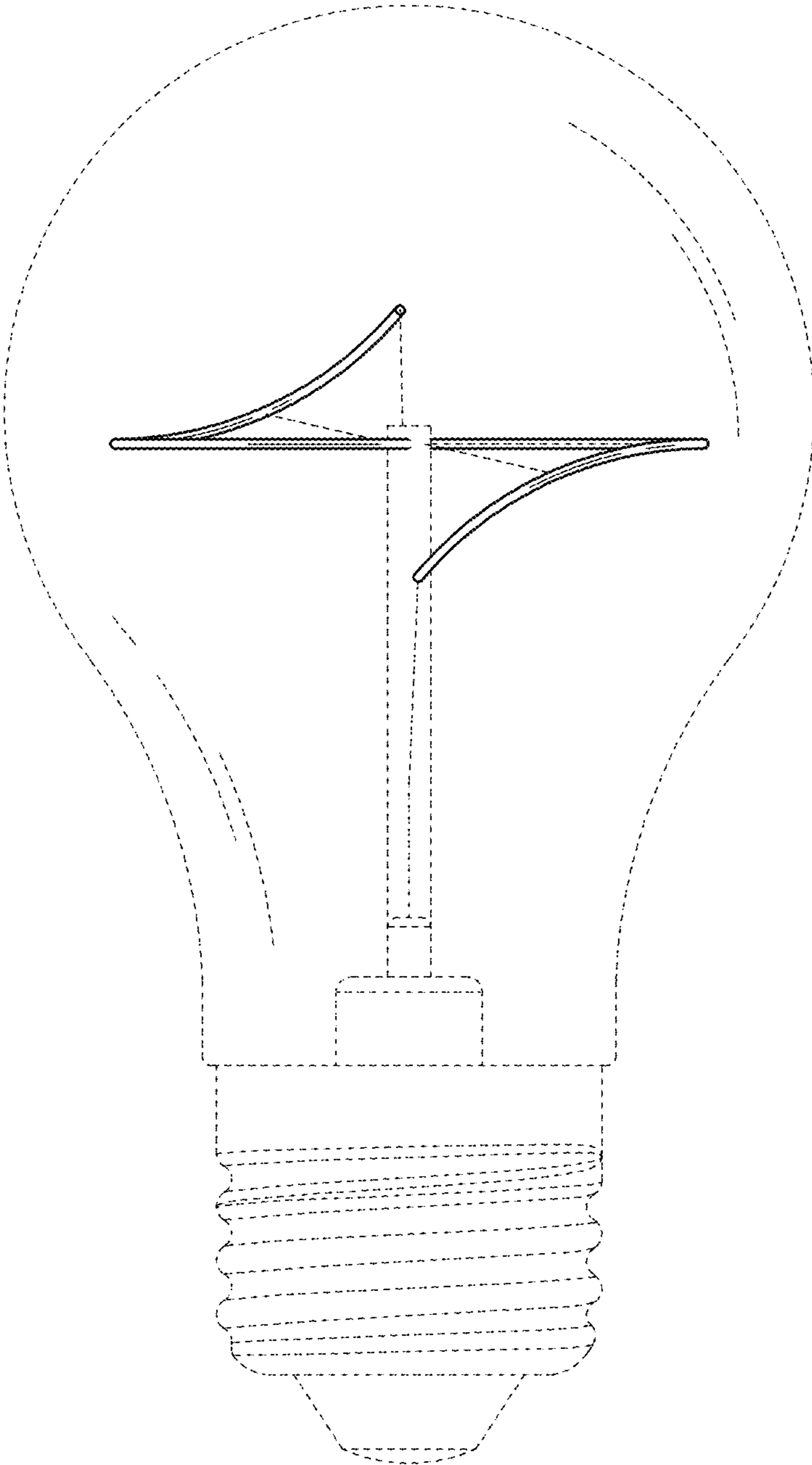


FIG.37

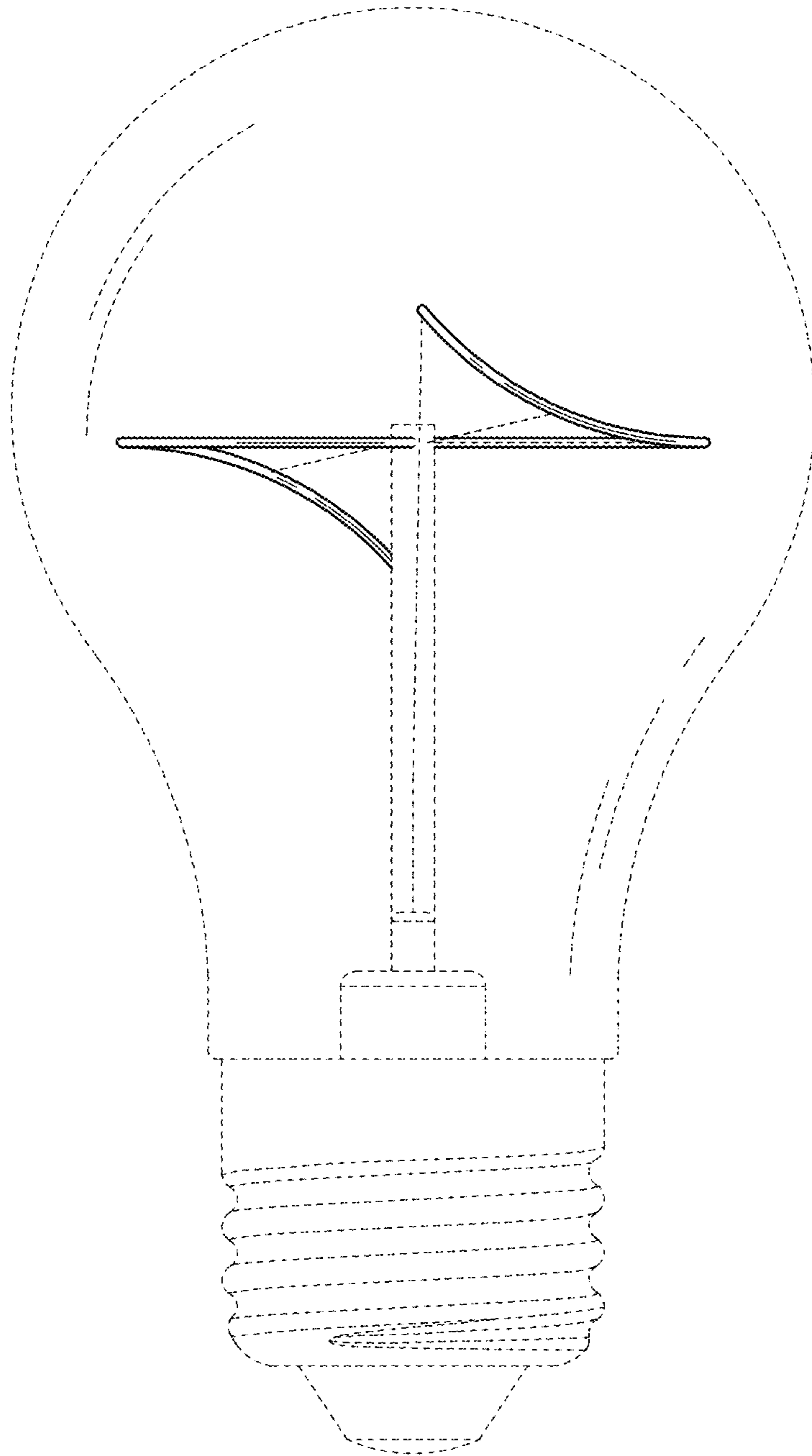


FIG.38

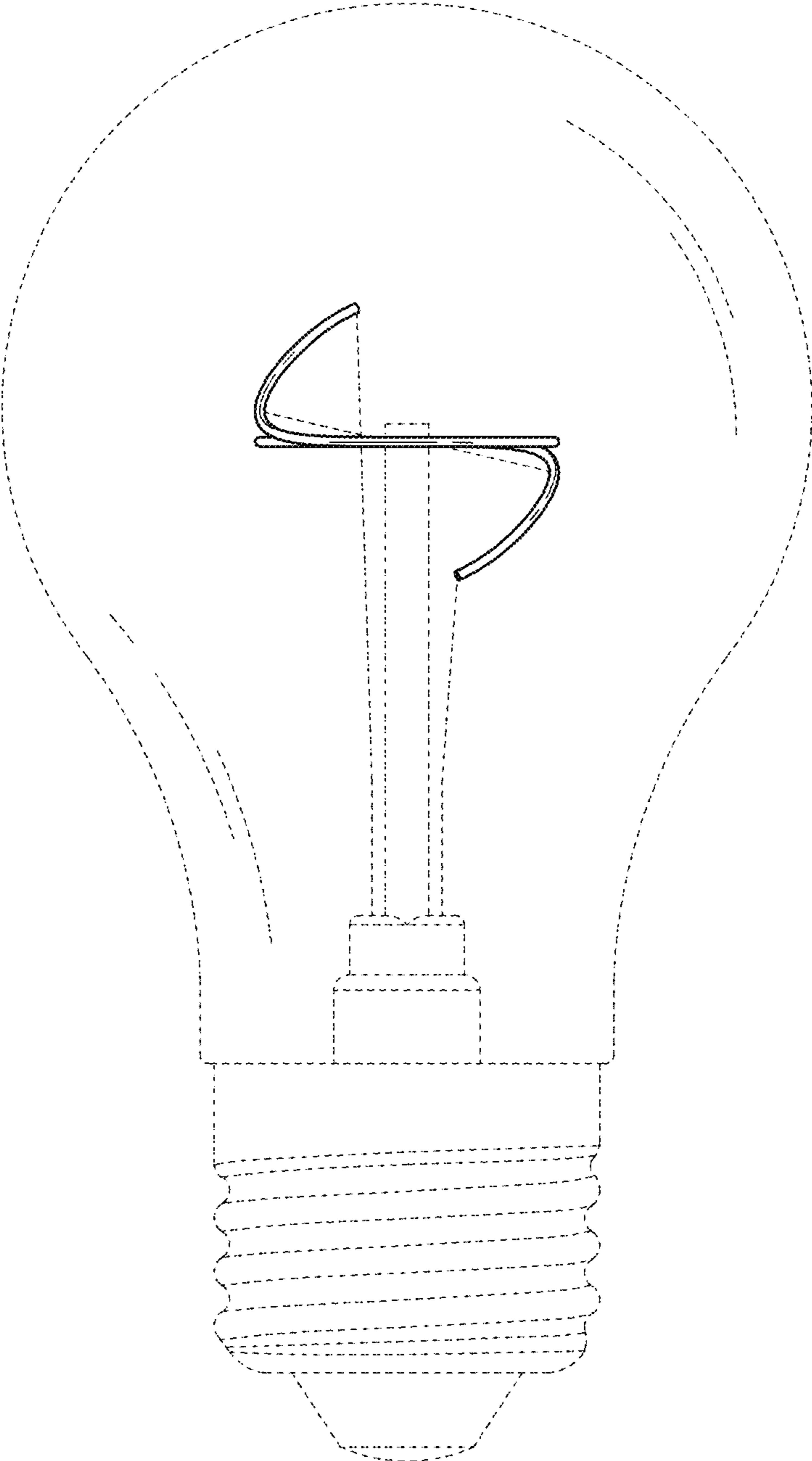


FIG. 39

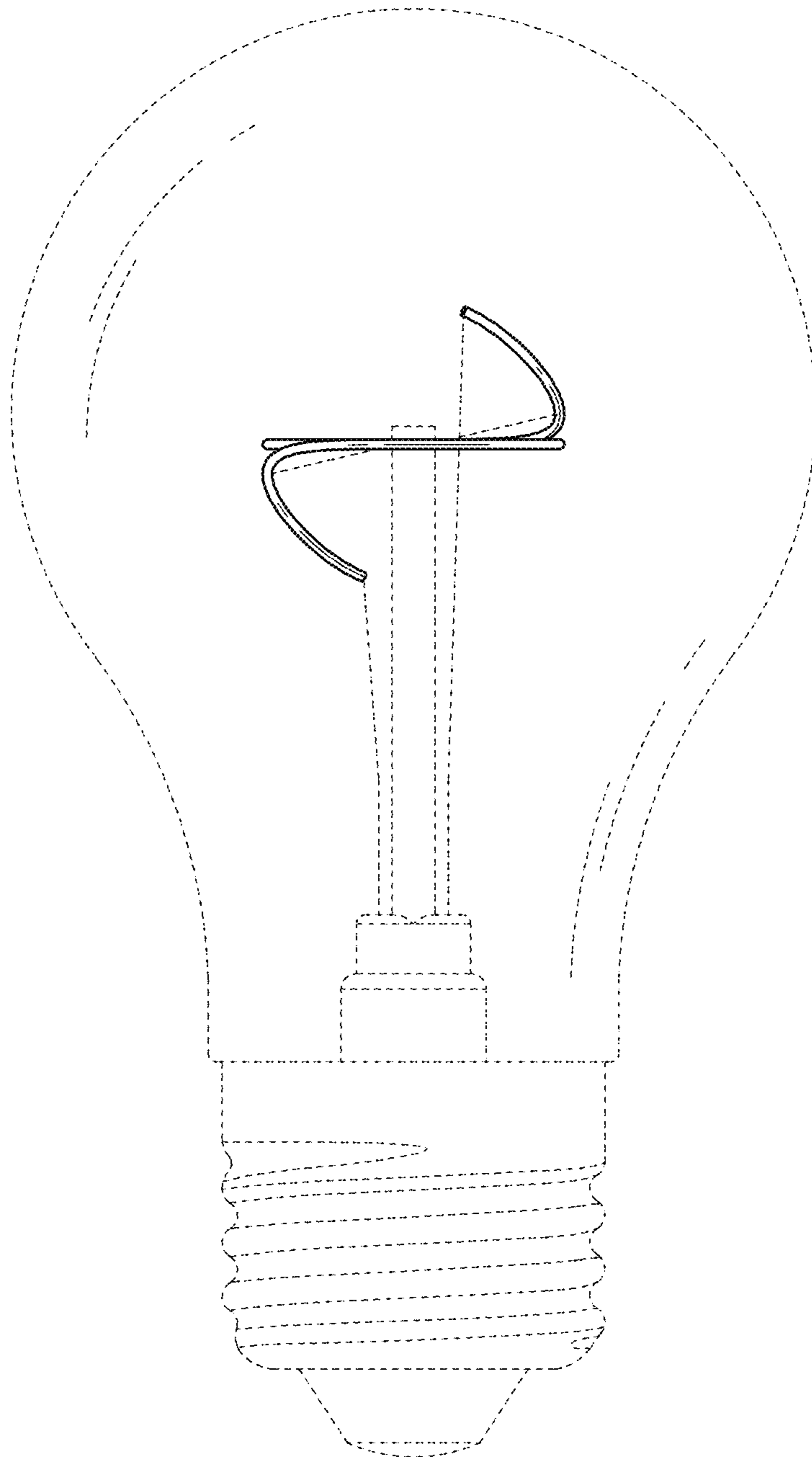


FIG.40

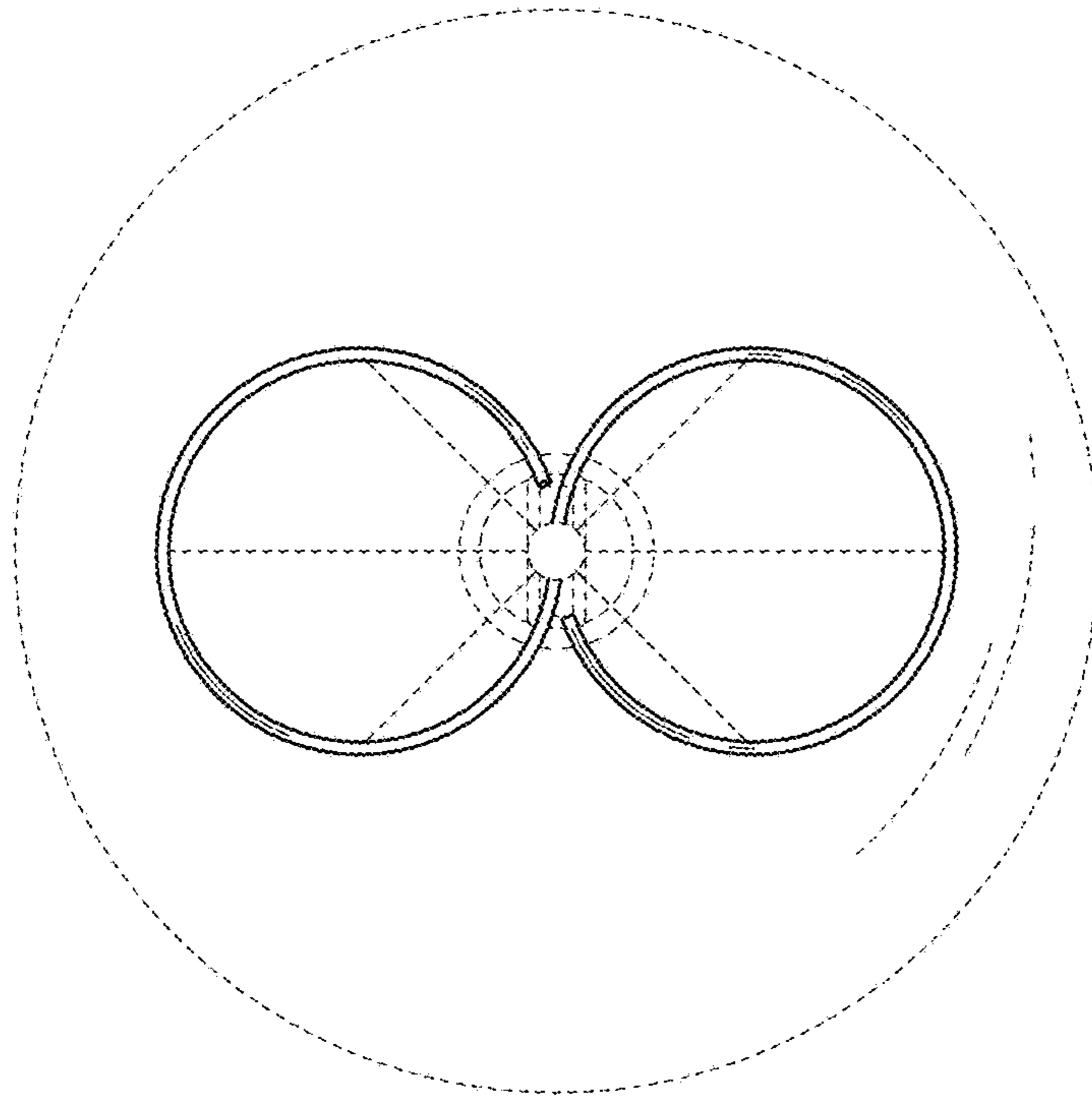


FIG. 41

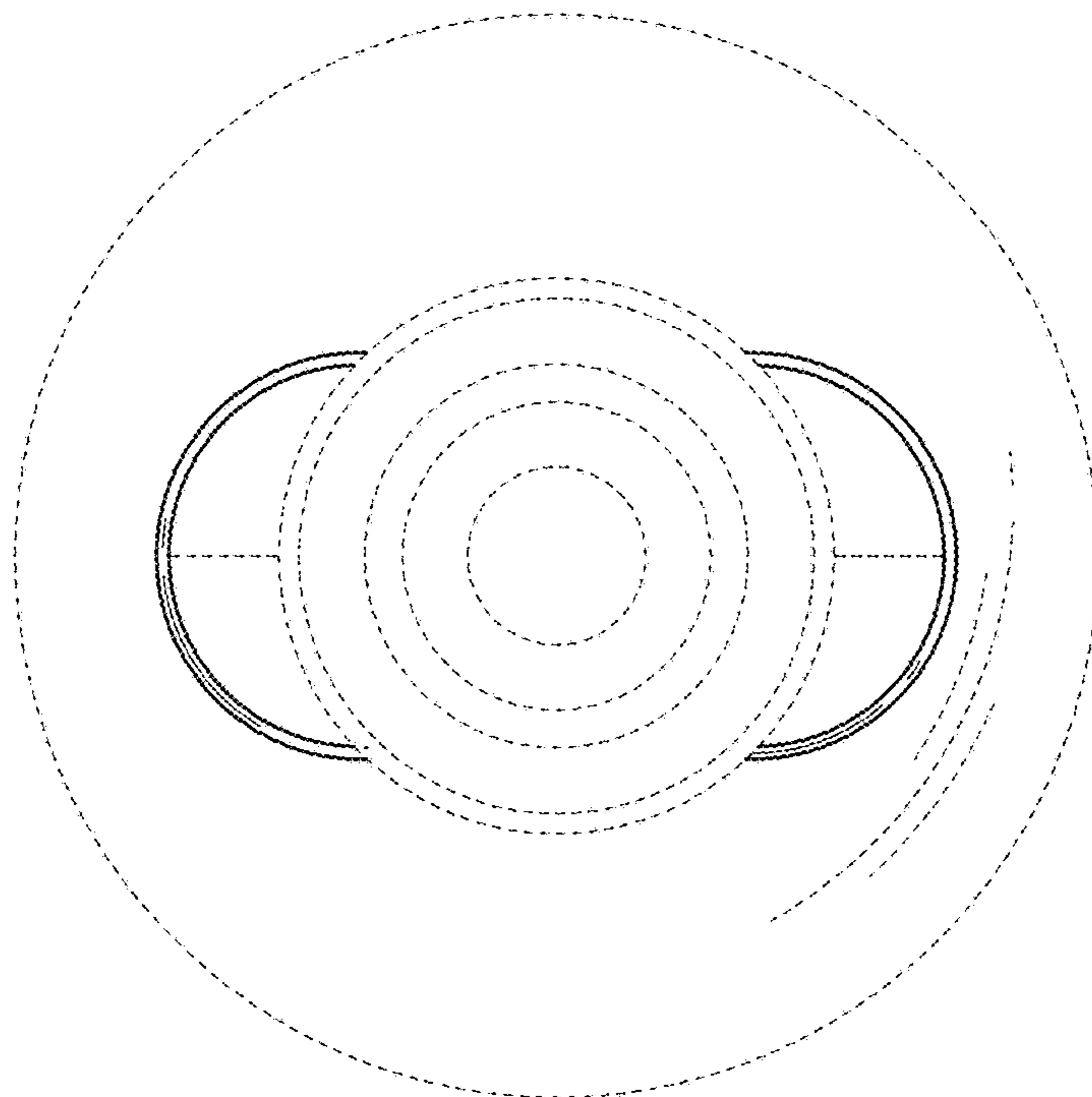


FIG. 42

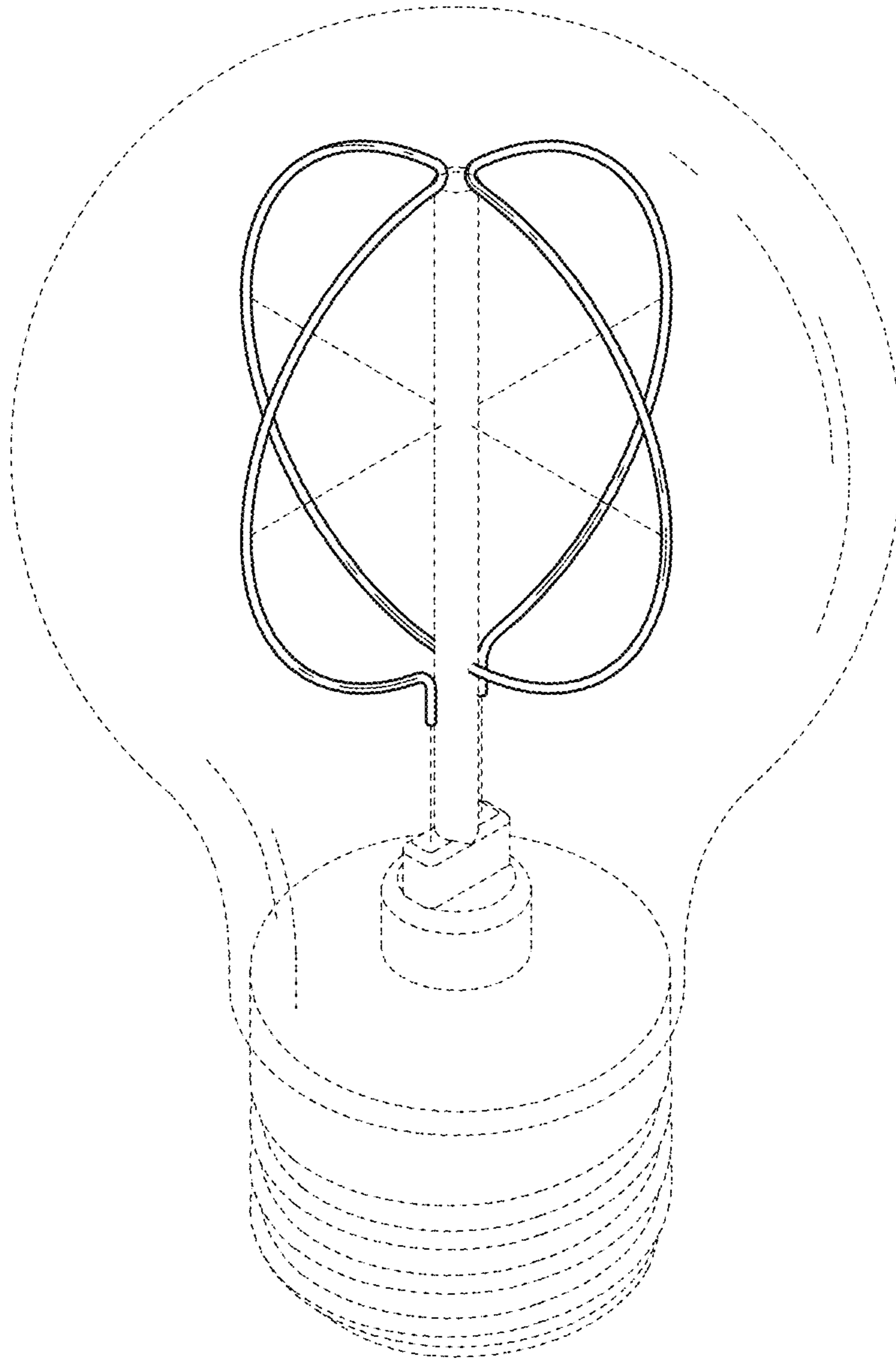


FIG.43

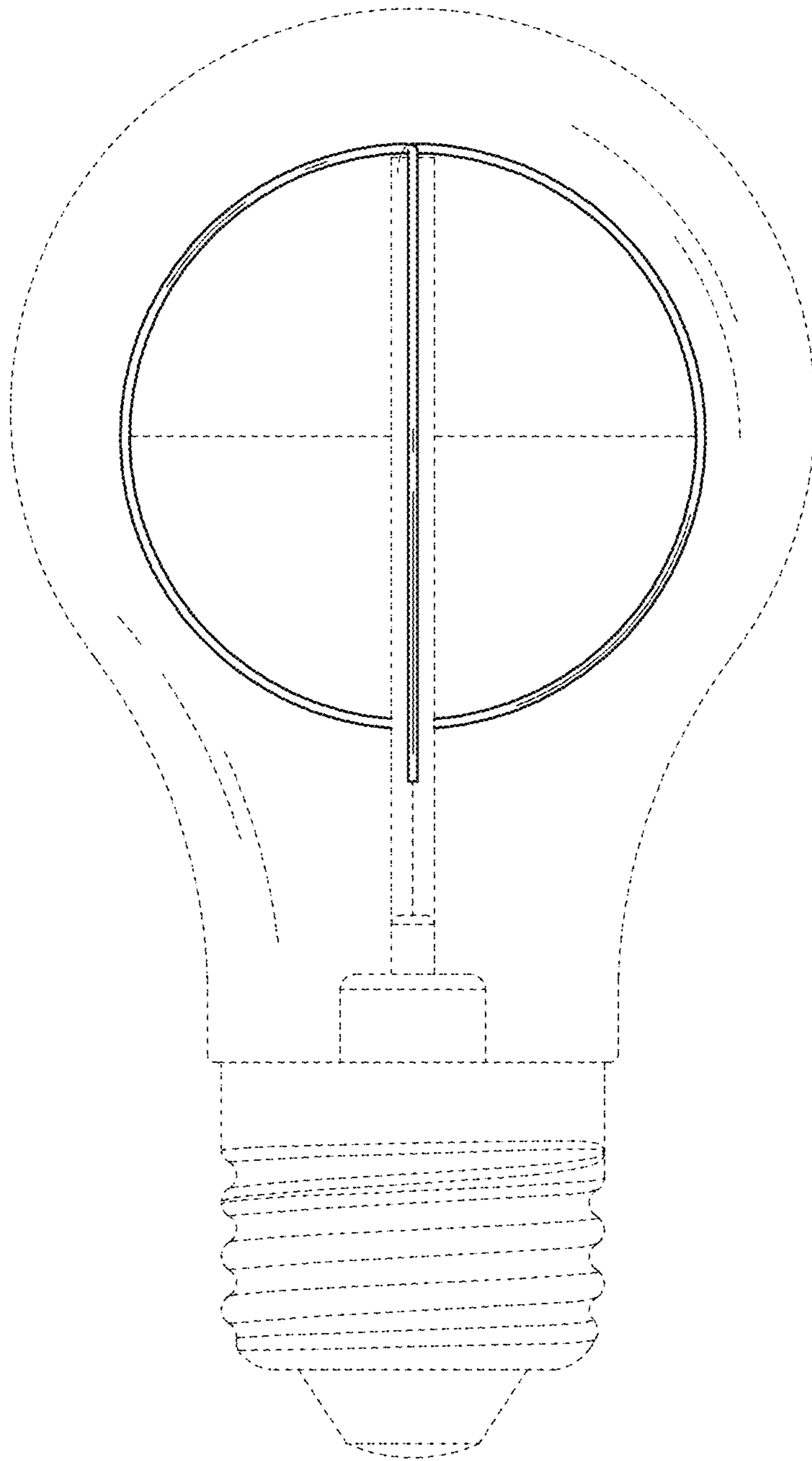


FIG.44

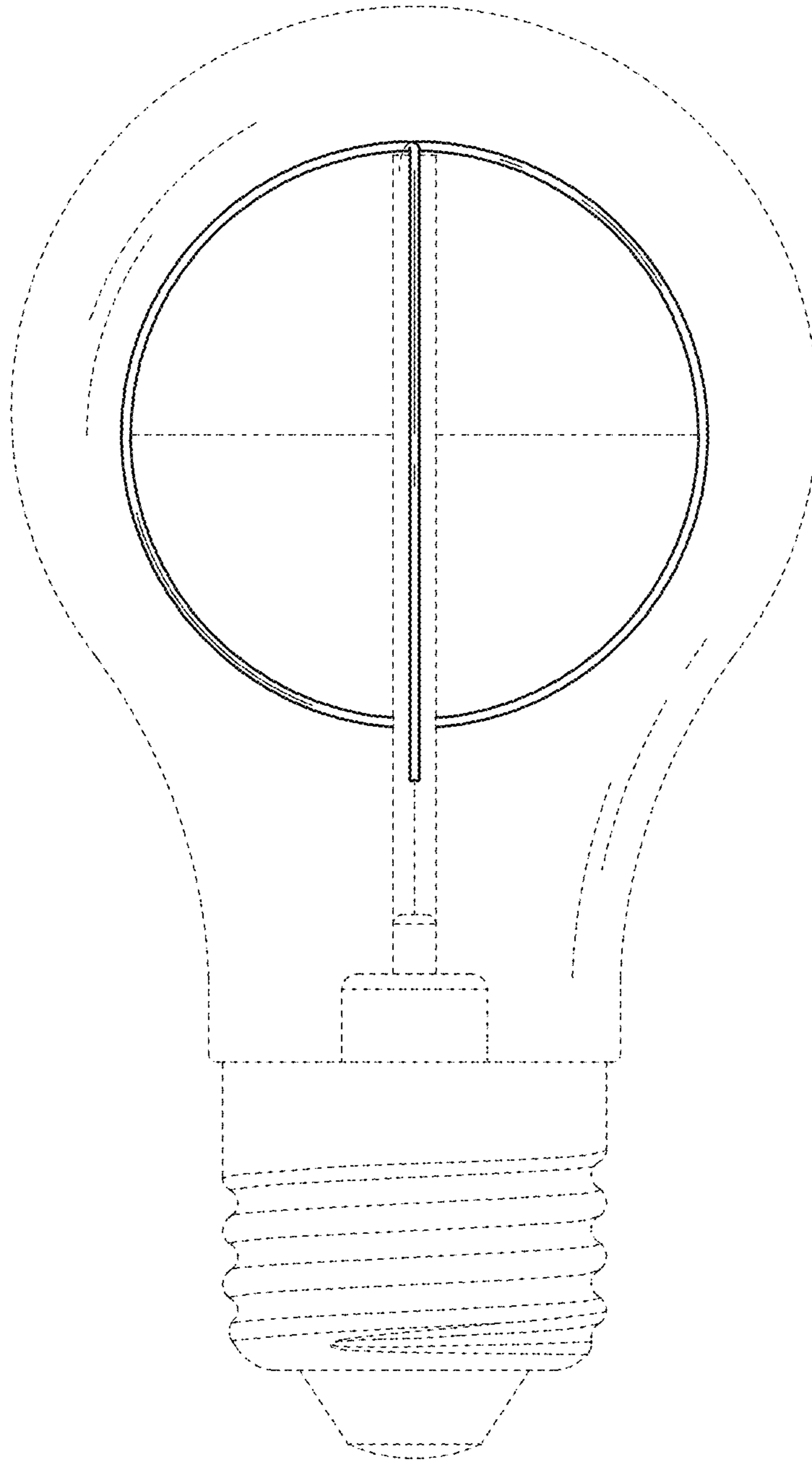


FIG. 45

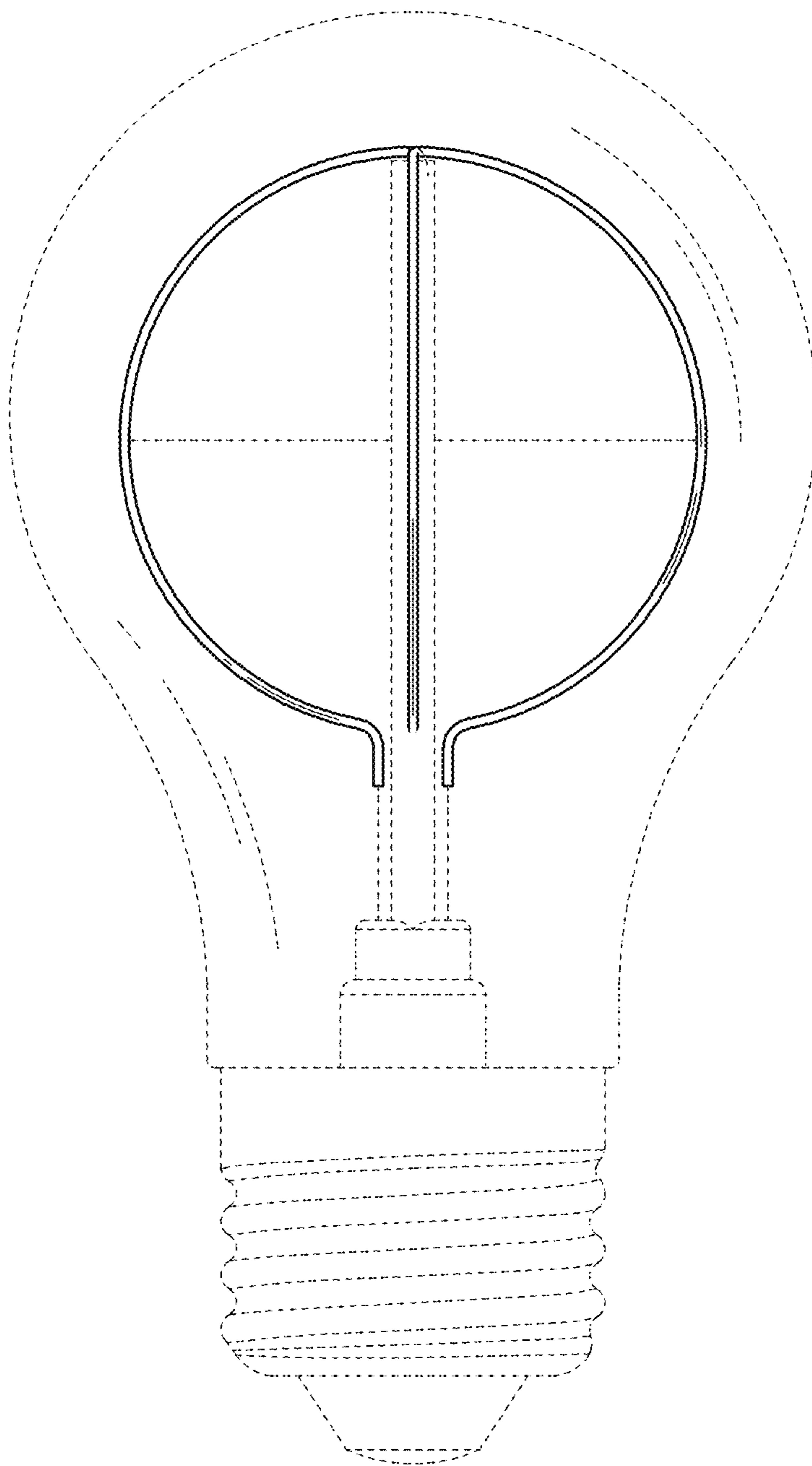


FIG. 46

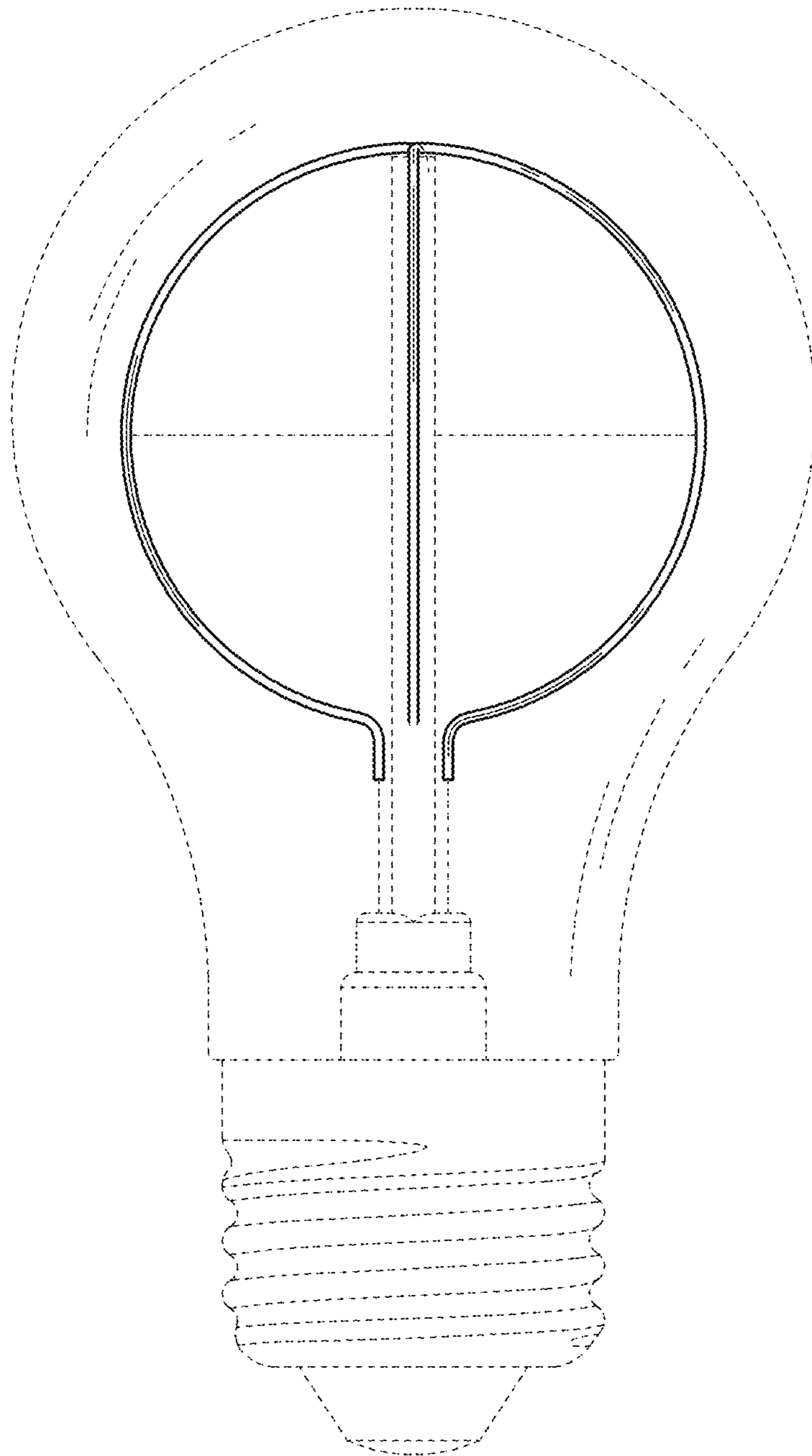


FIG. 47

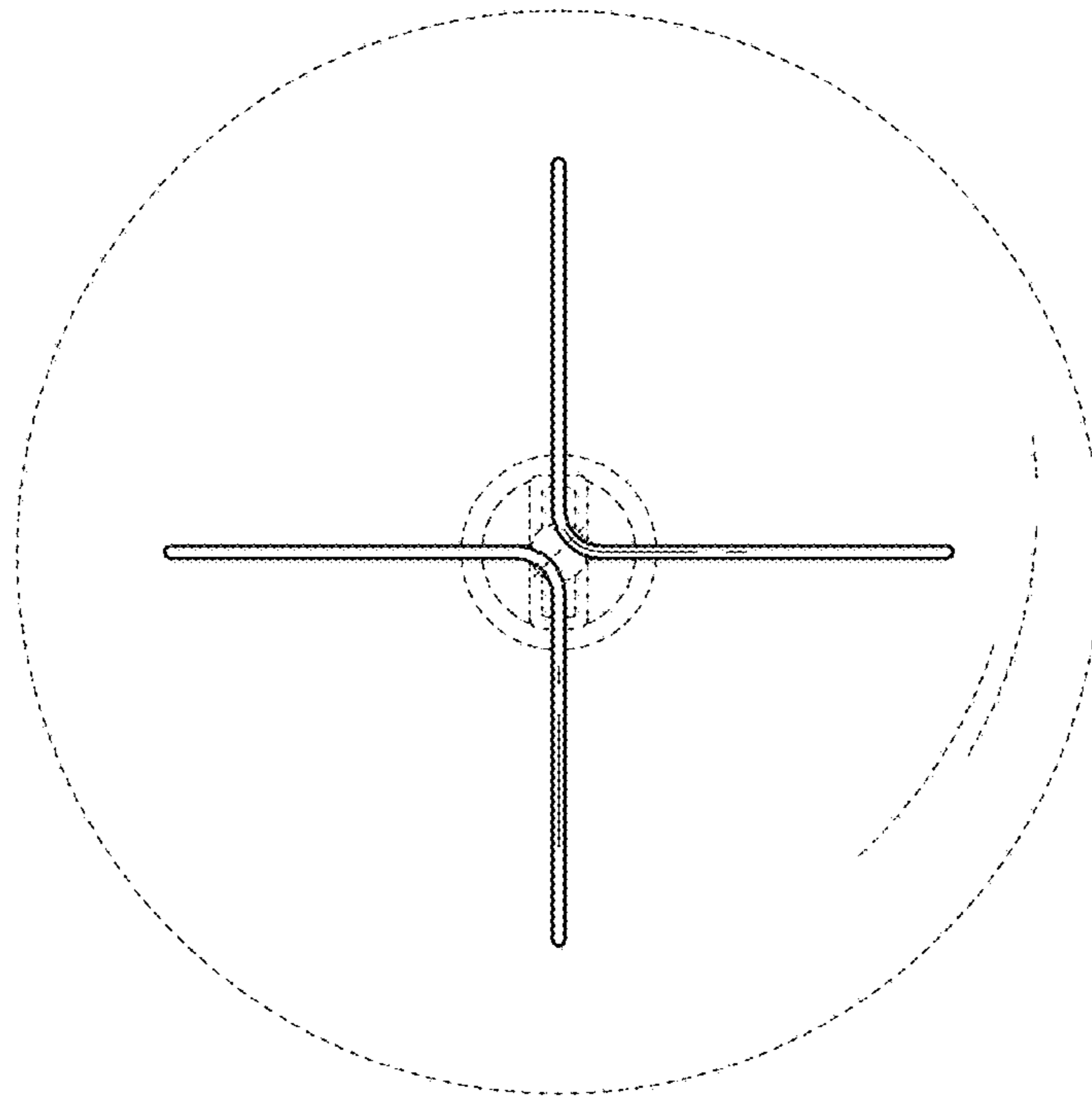


FIG. 48

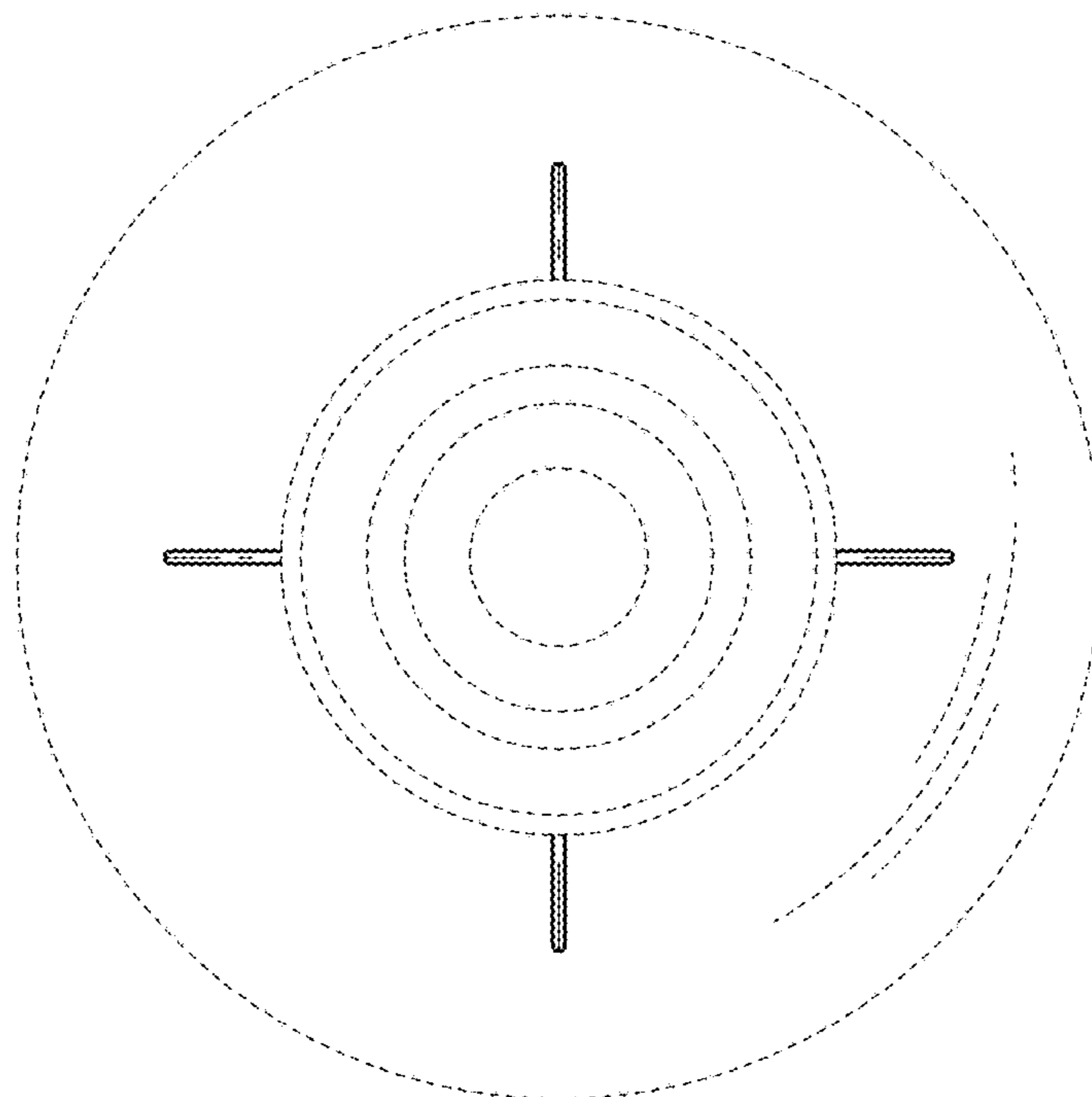


FIG. 49

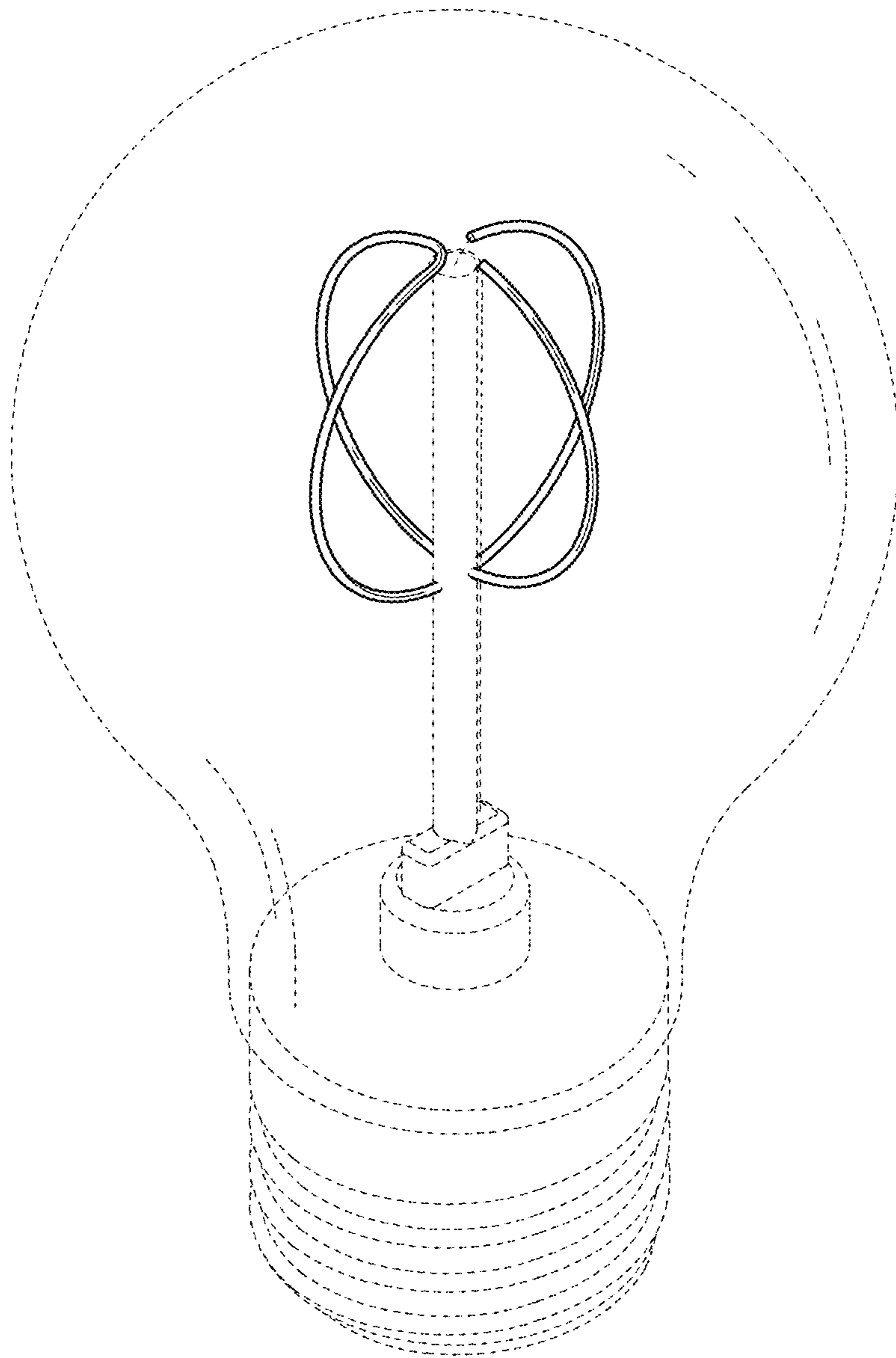


FIG.50

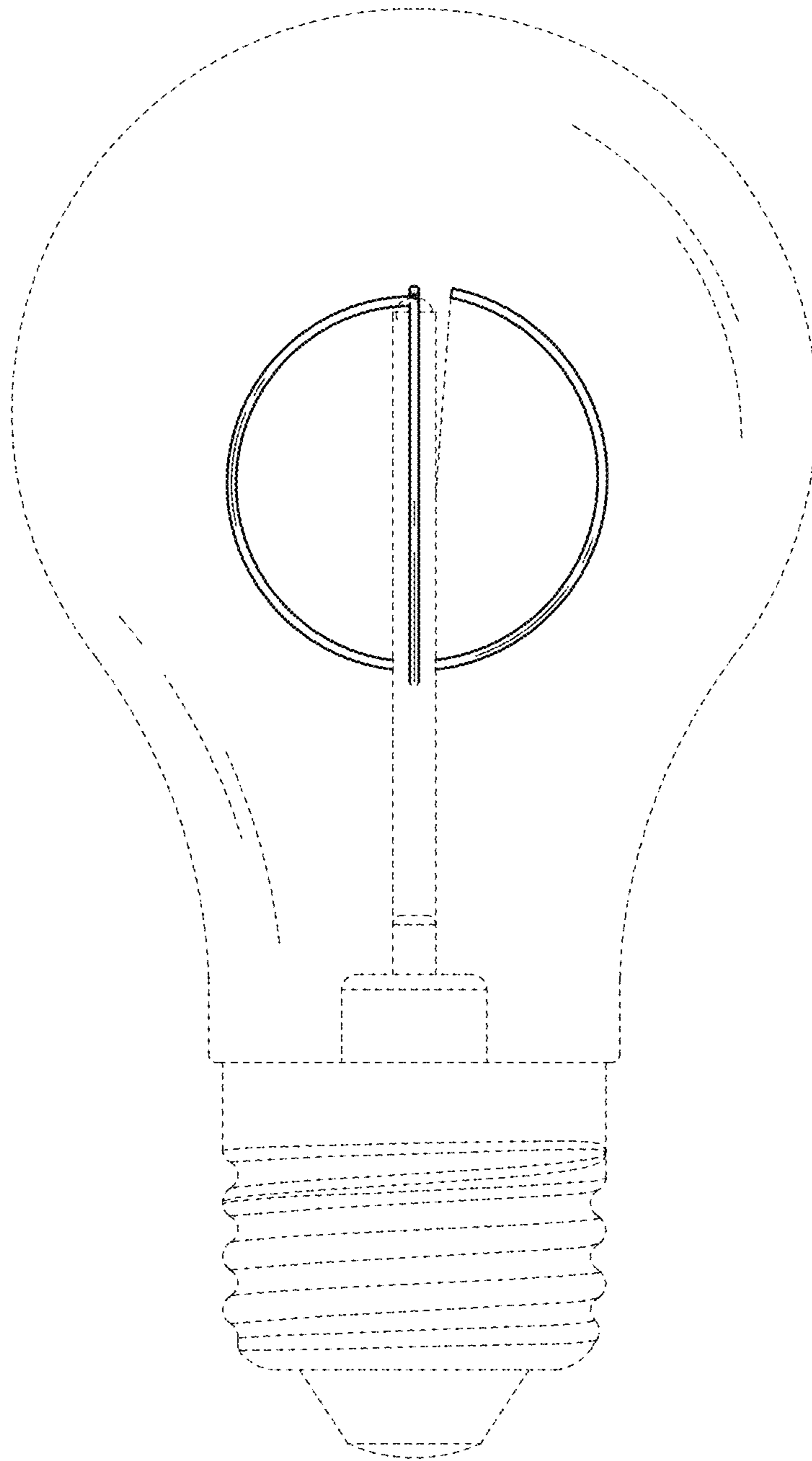


FIG.51

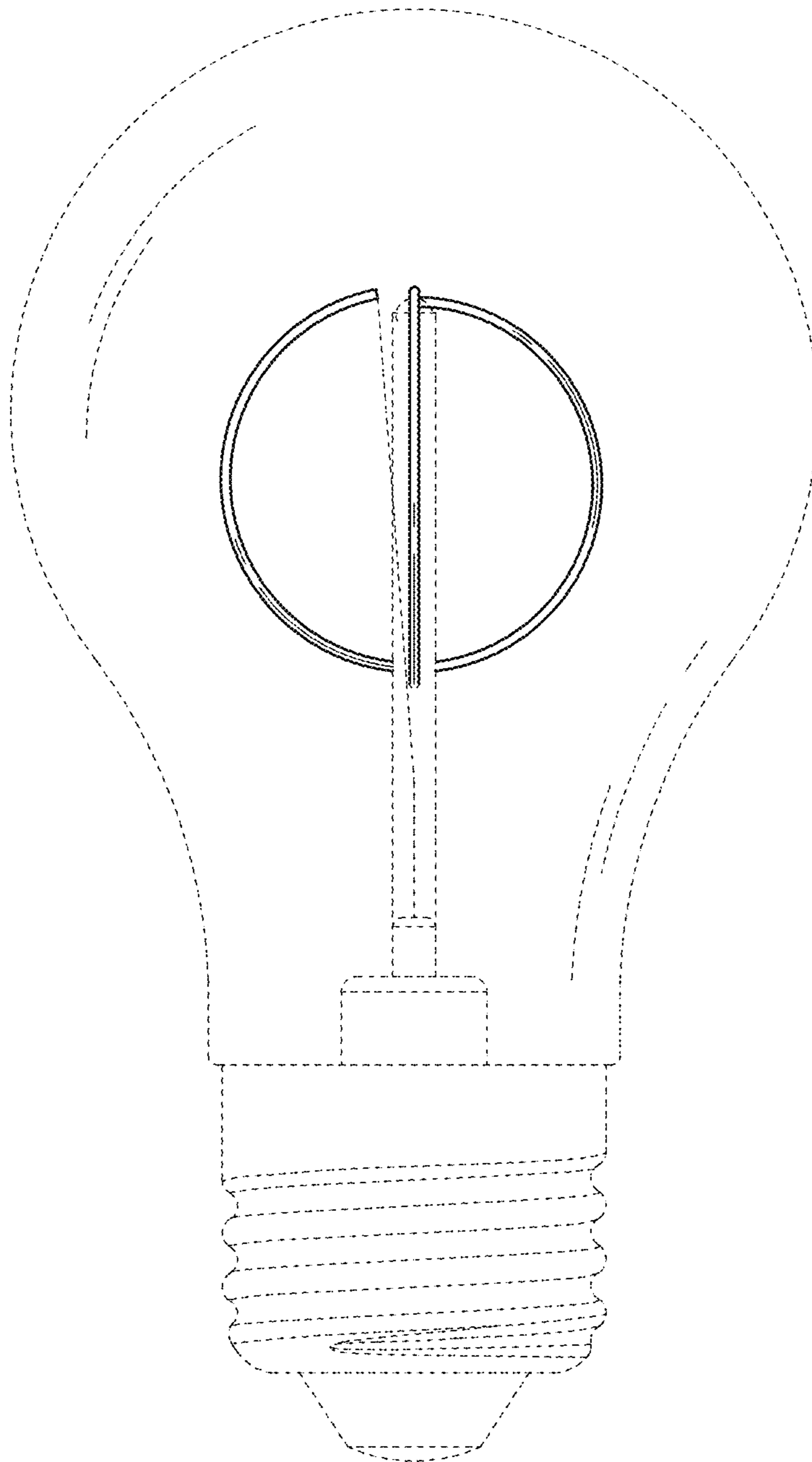


FIG. 52

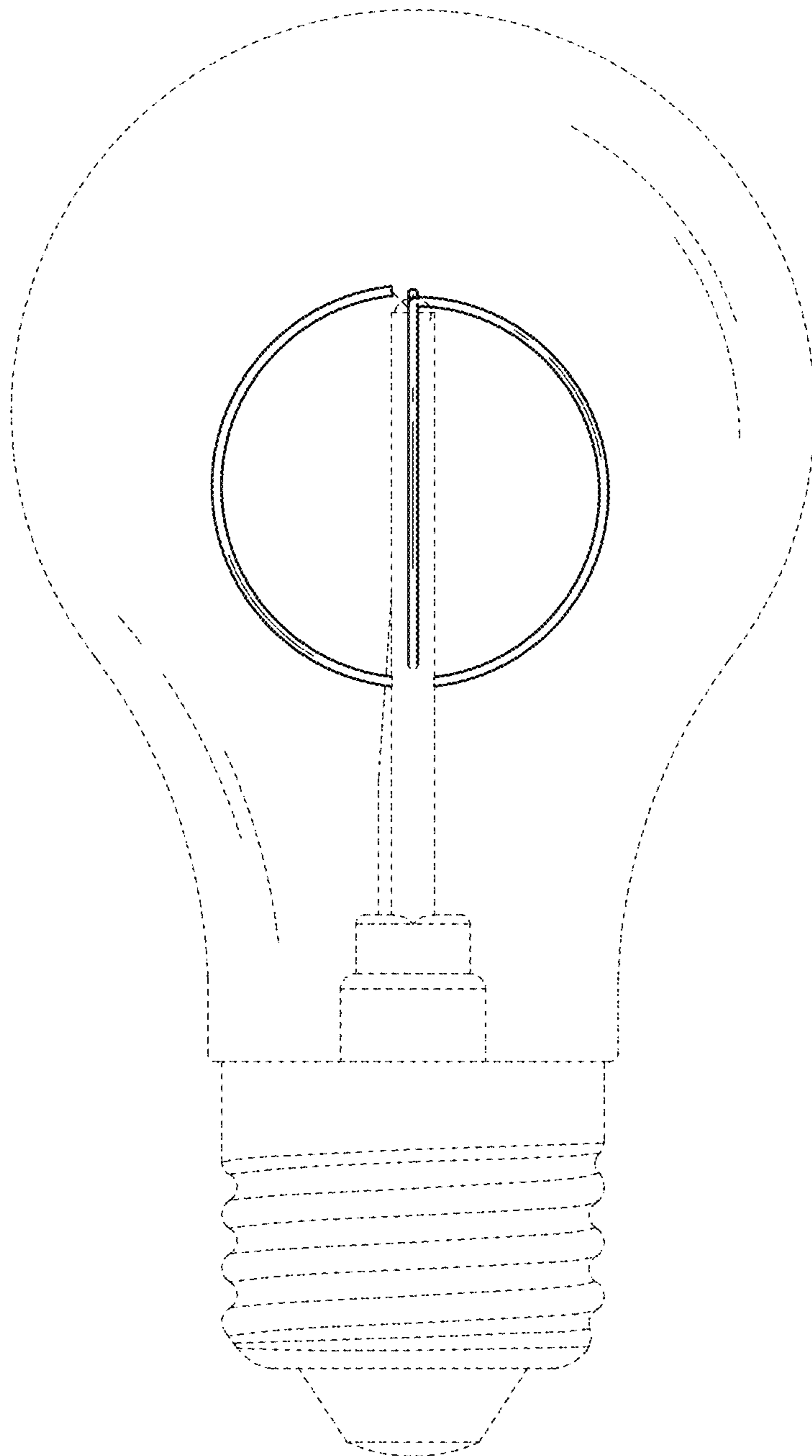


FIG.53

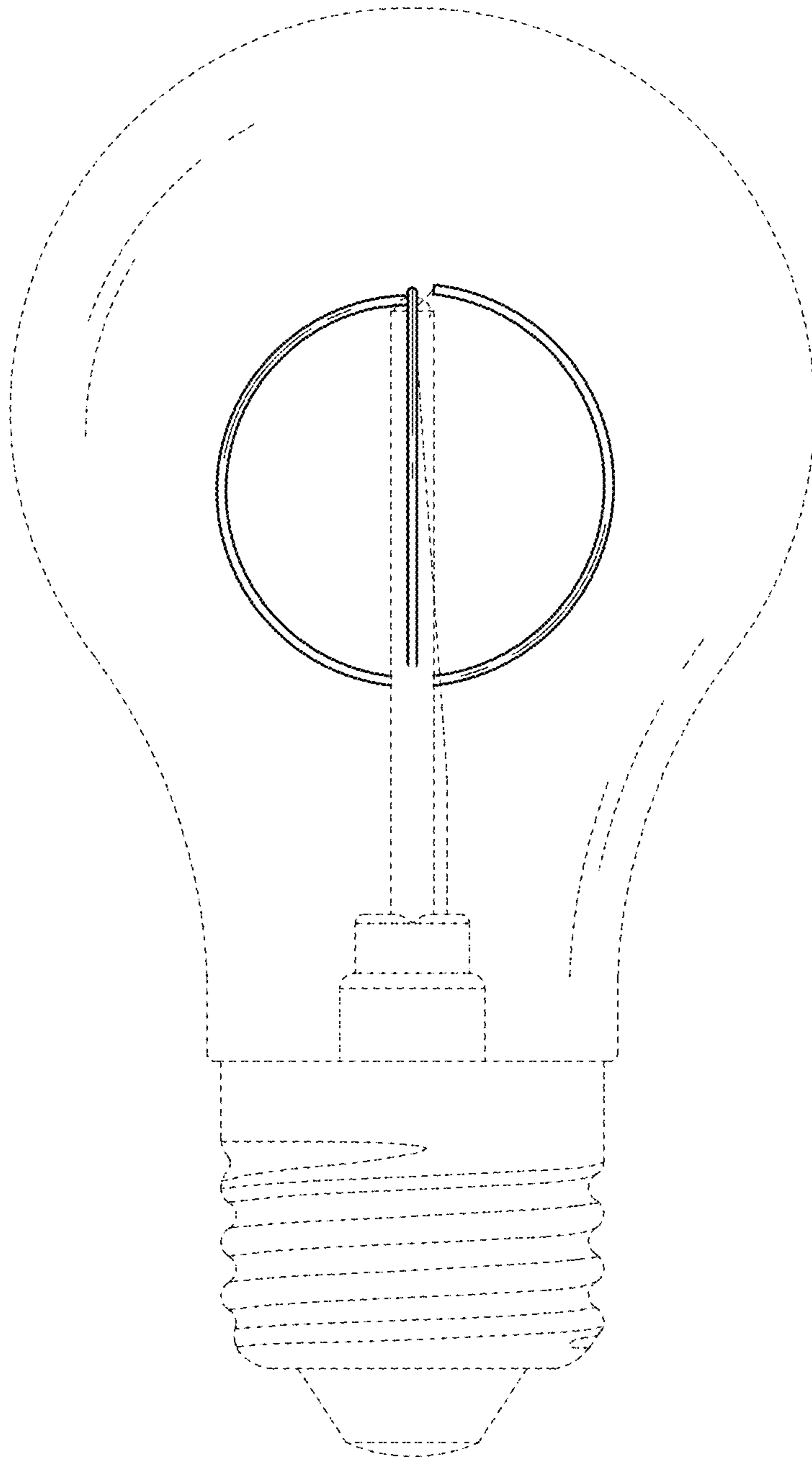


FIG. 54

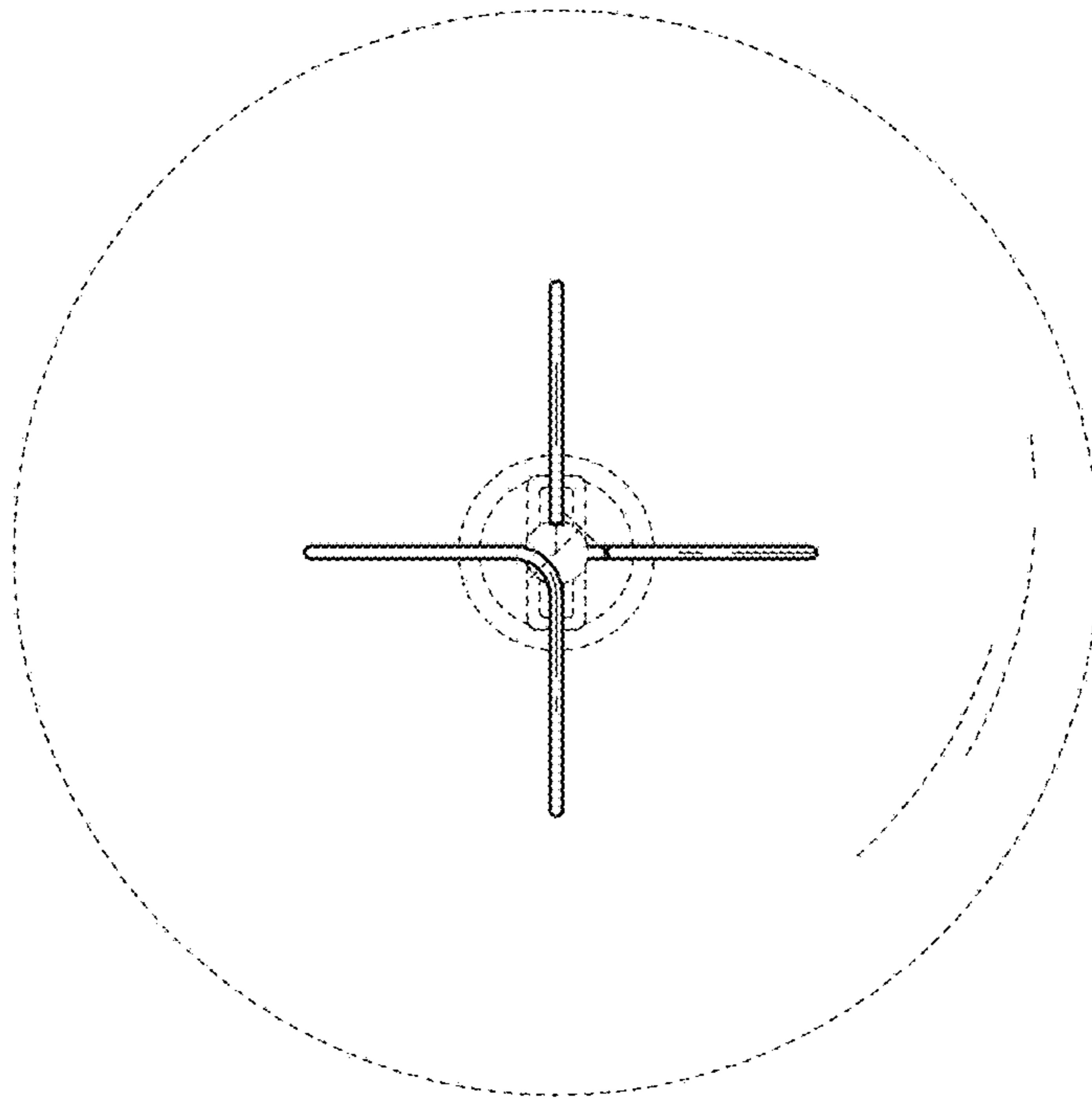


FIG. 55

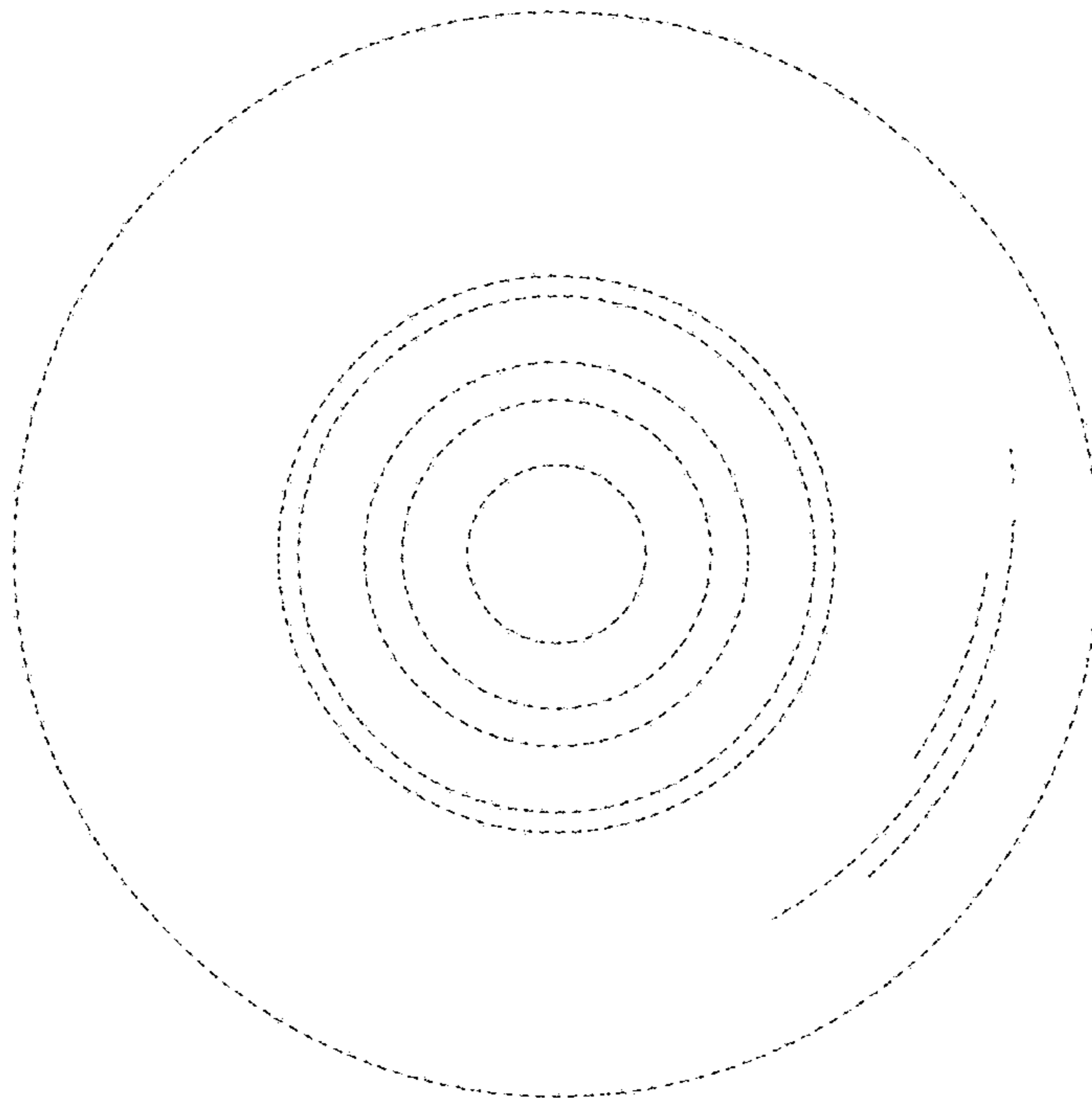


FIG. 56

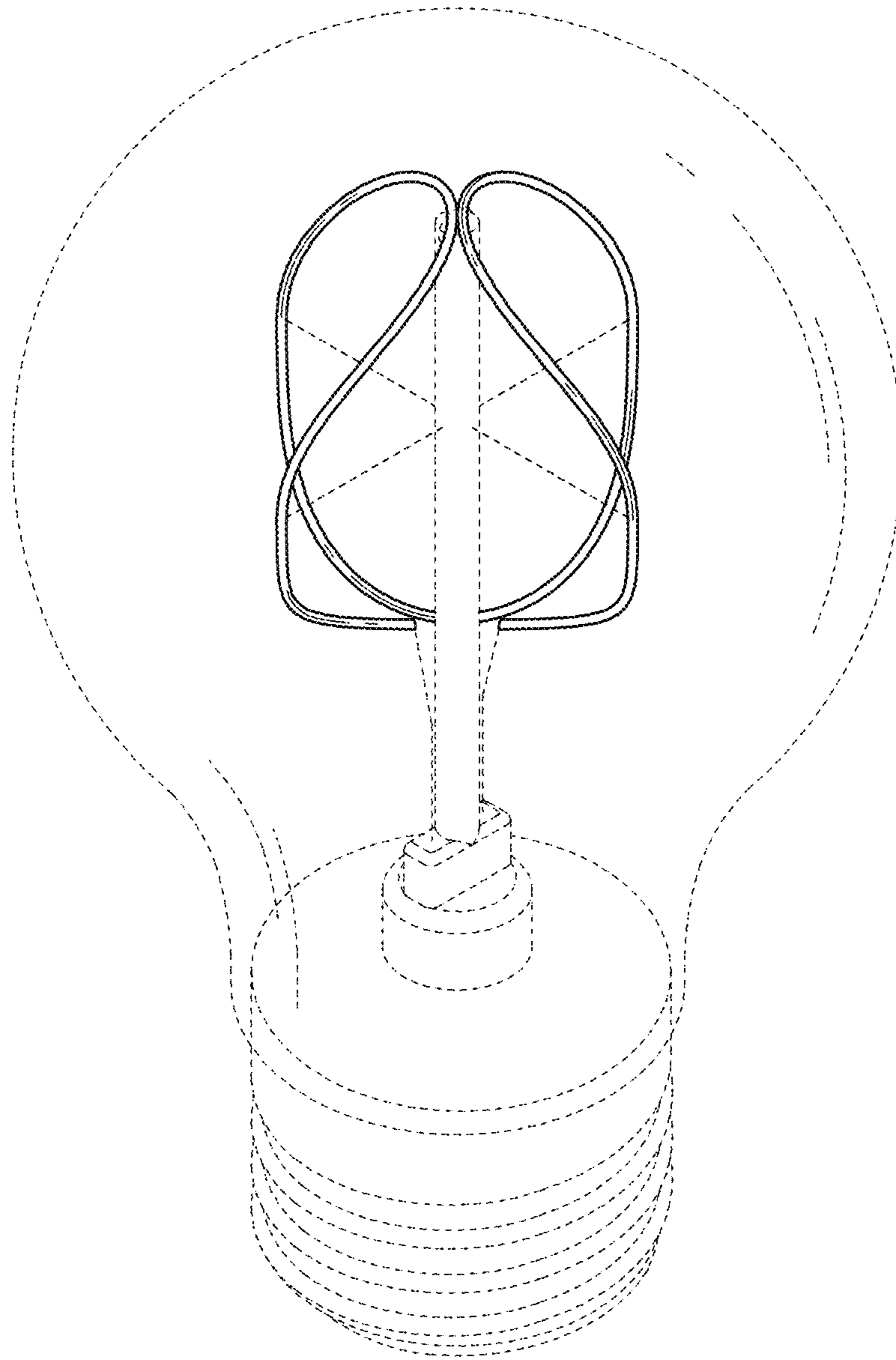


FIG. 57

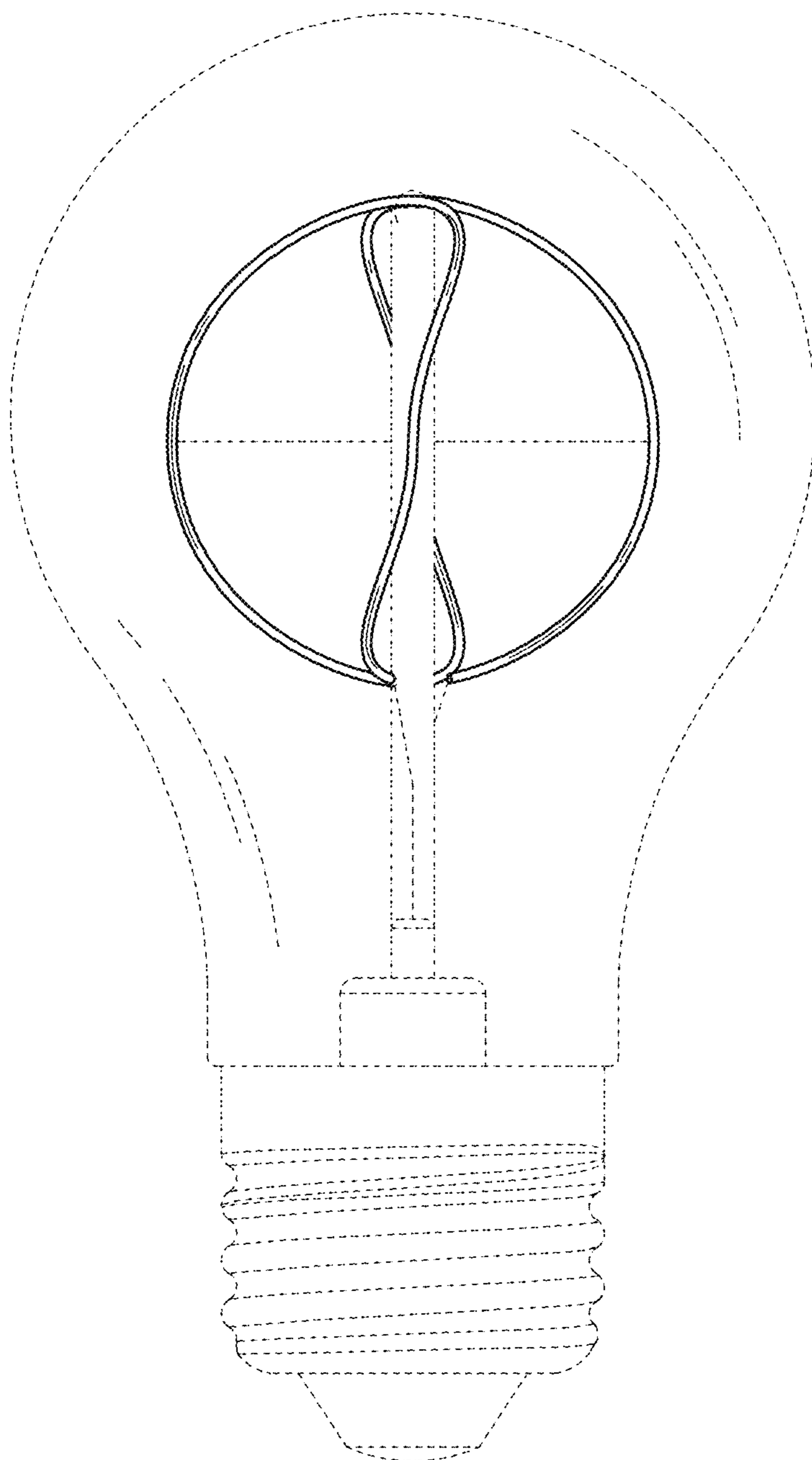


FIG. 58

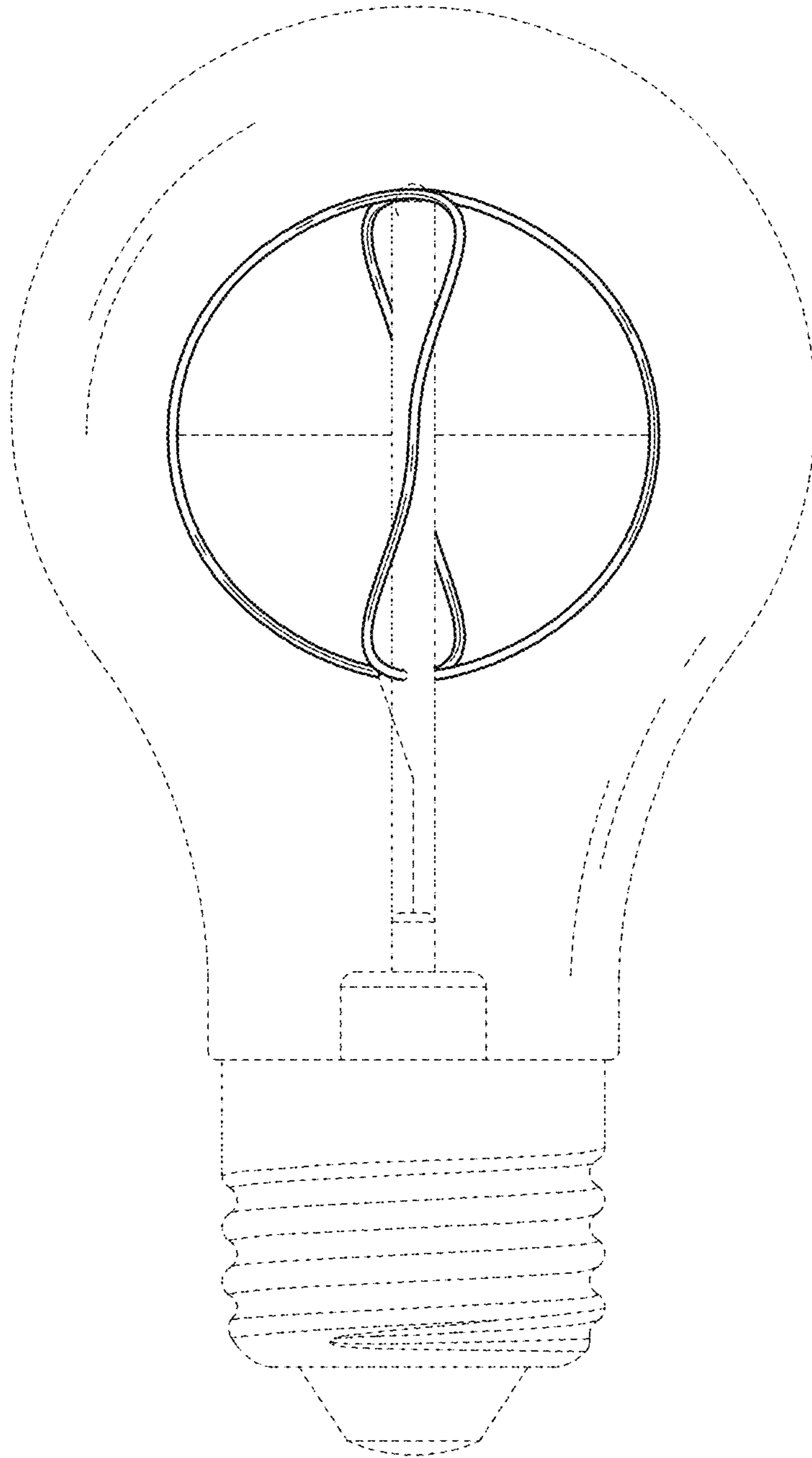


FIG. 59

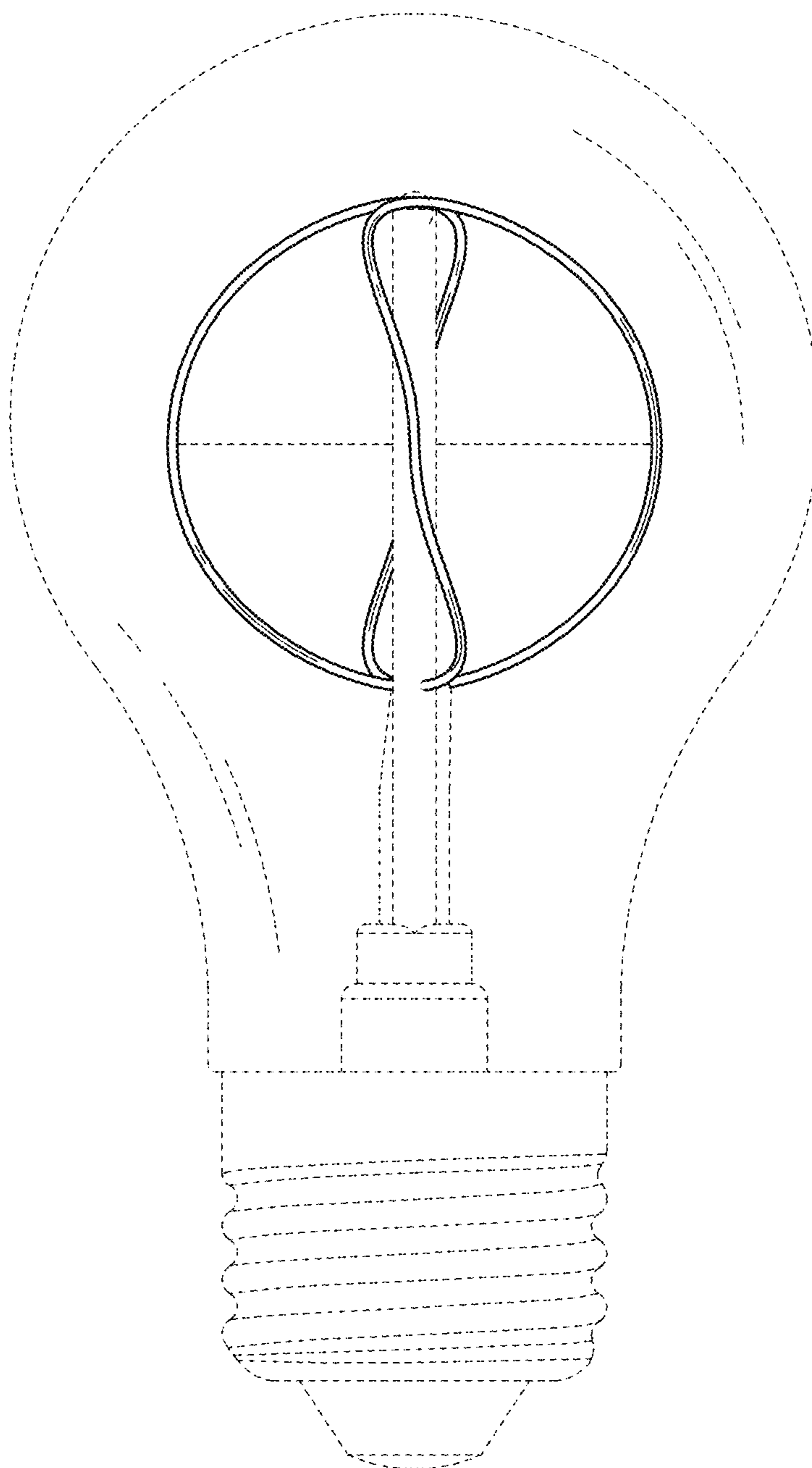


FIG.60

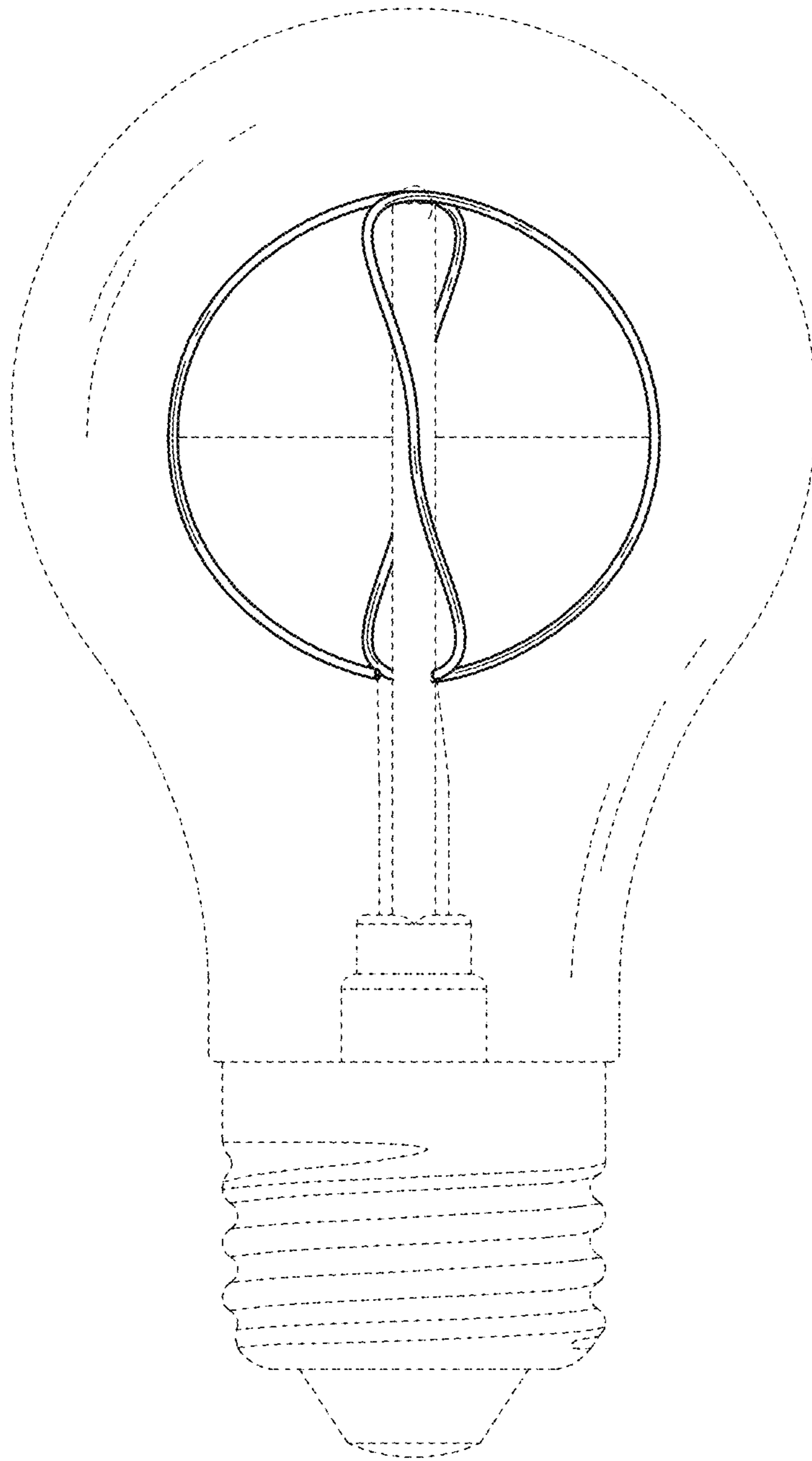


FIG. 61

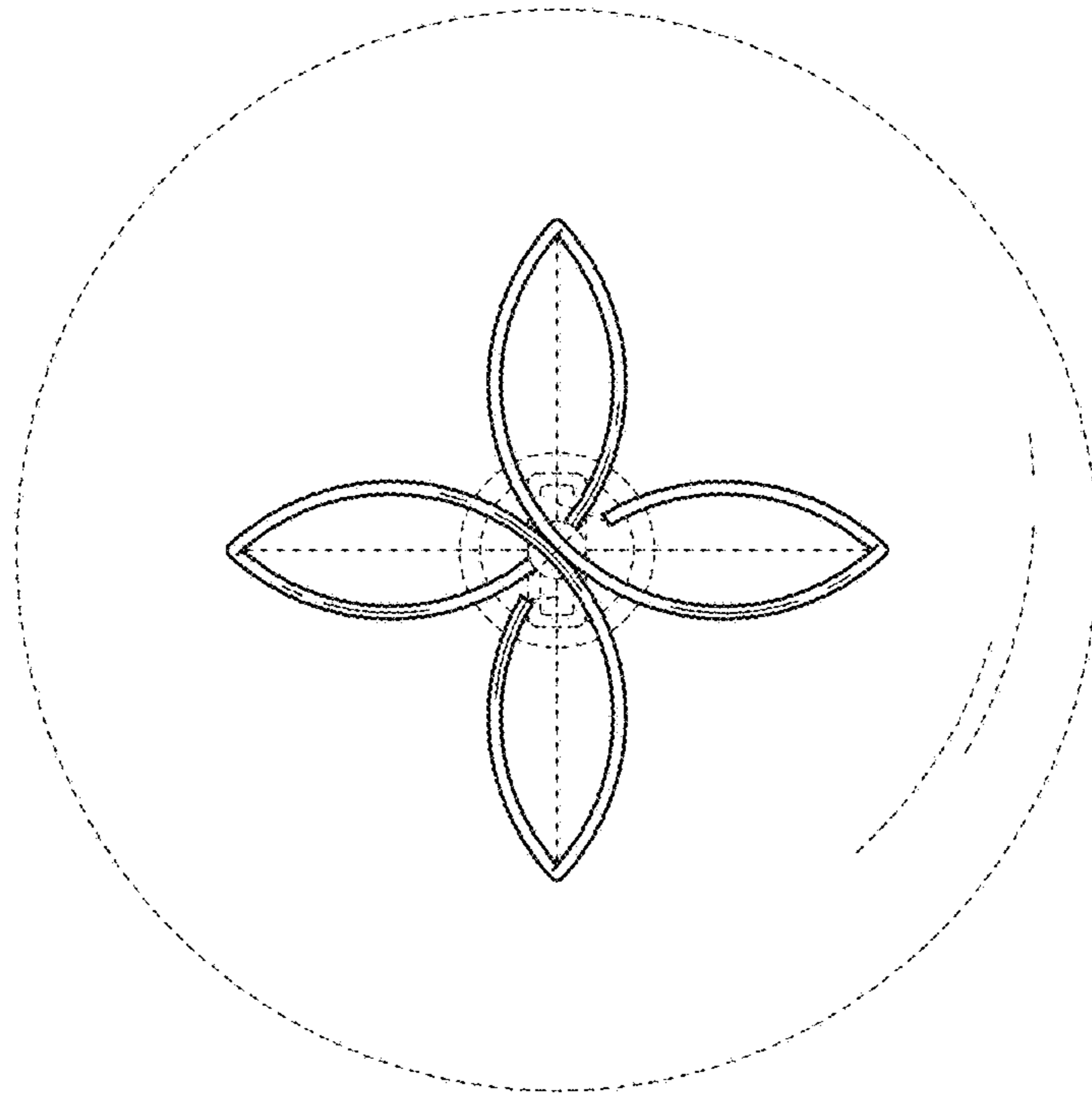


FIG. 62

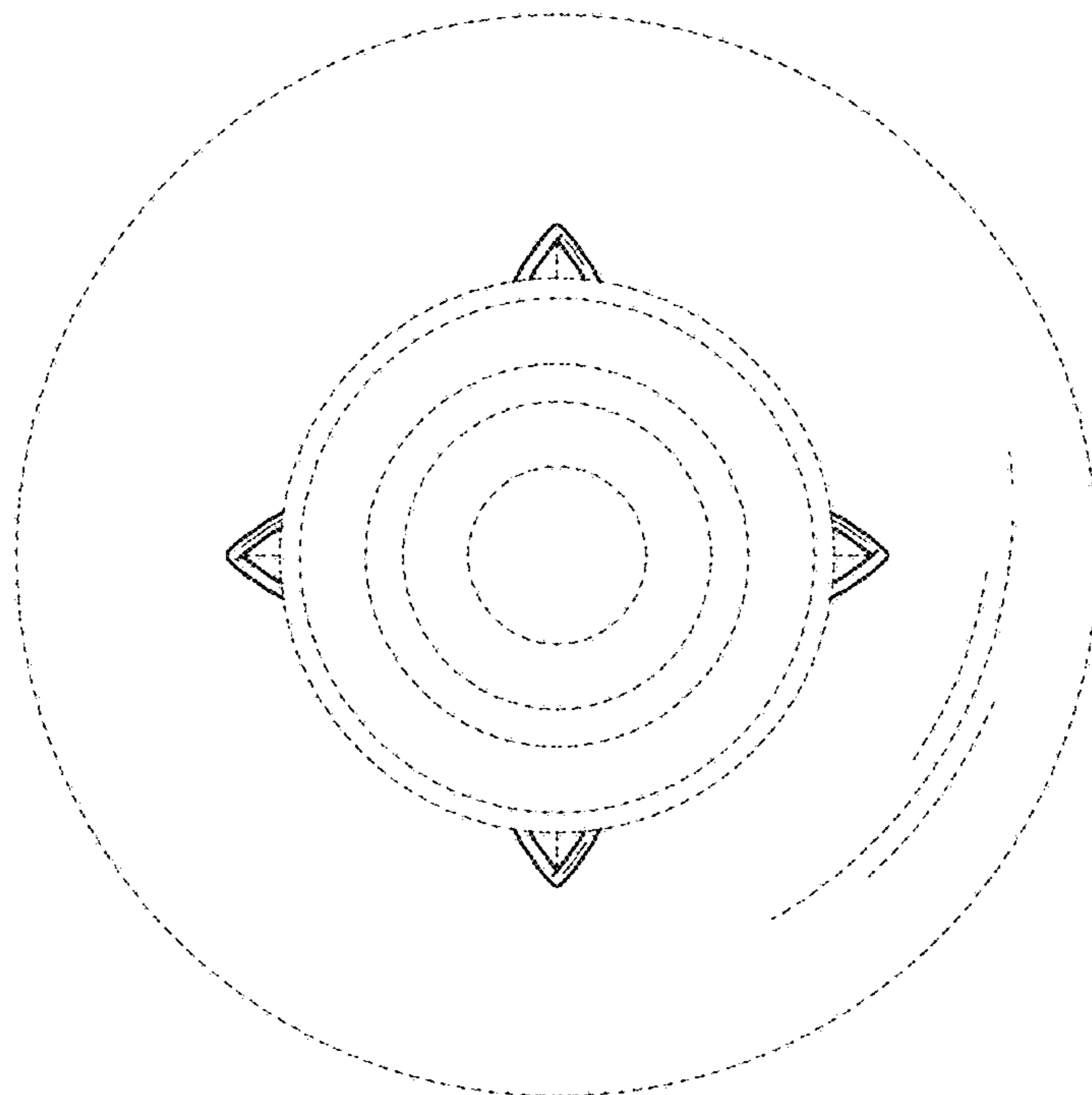


FIG. 63

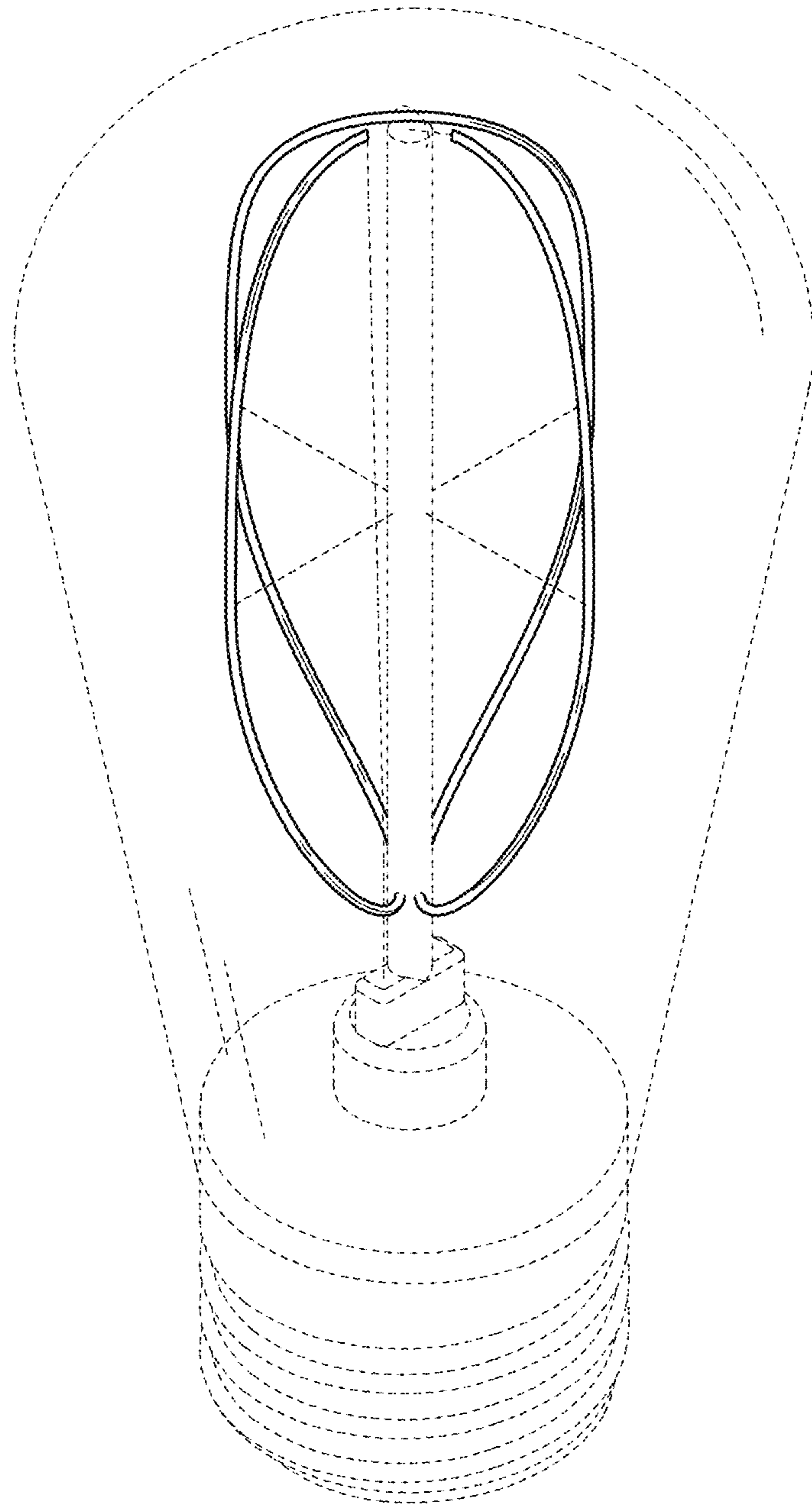


FIG. 64

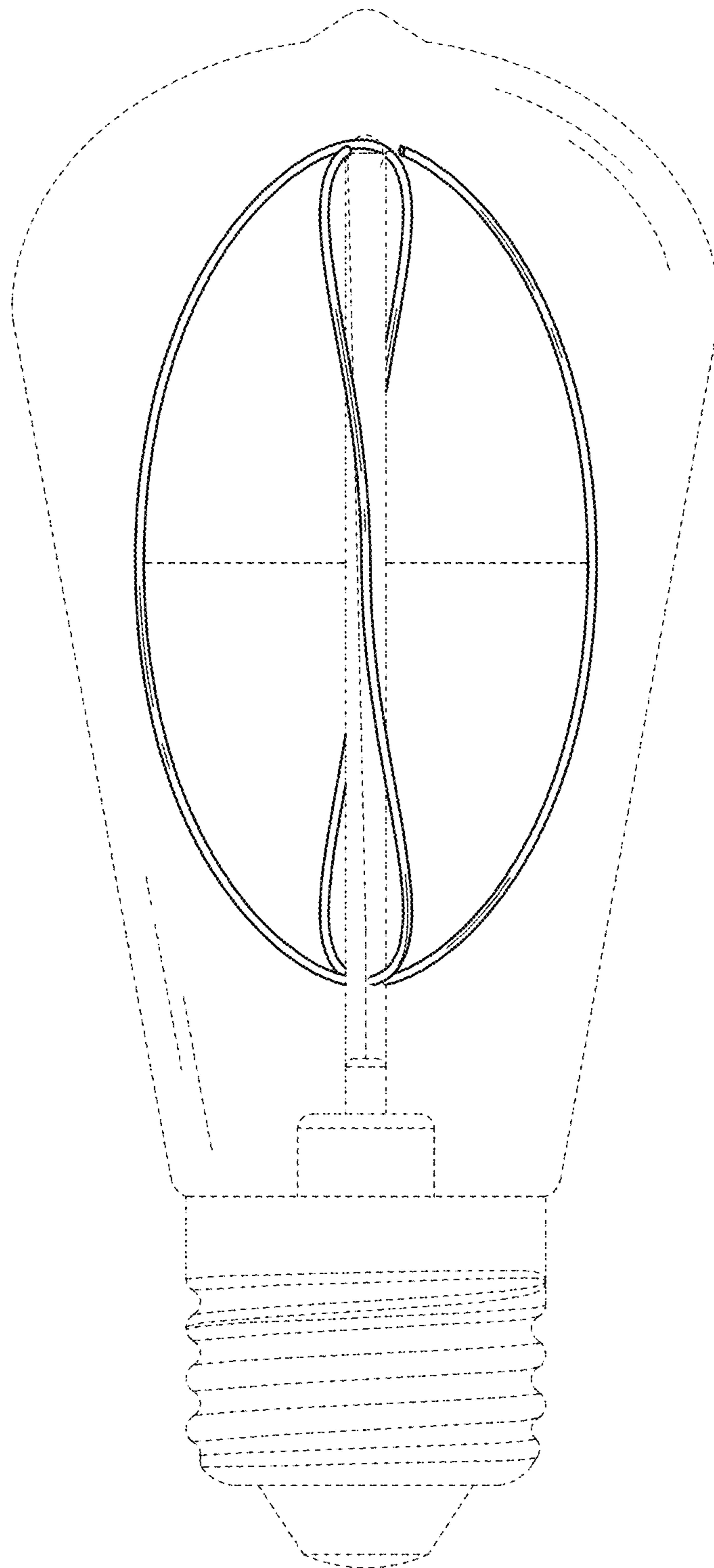


FIG. 65

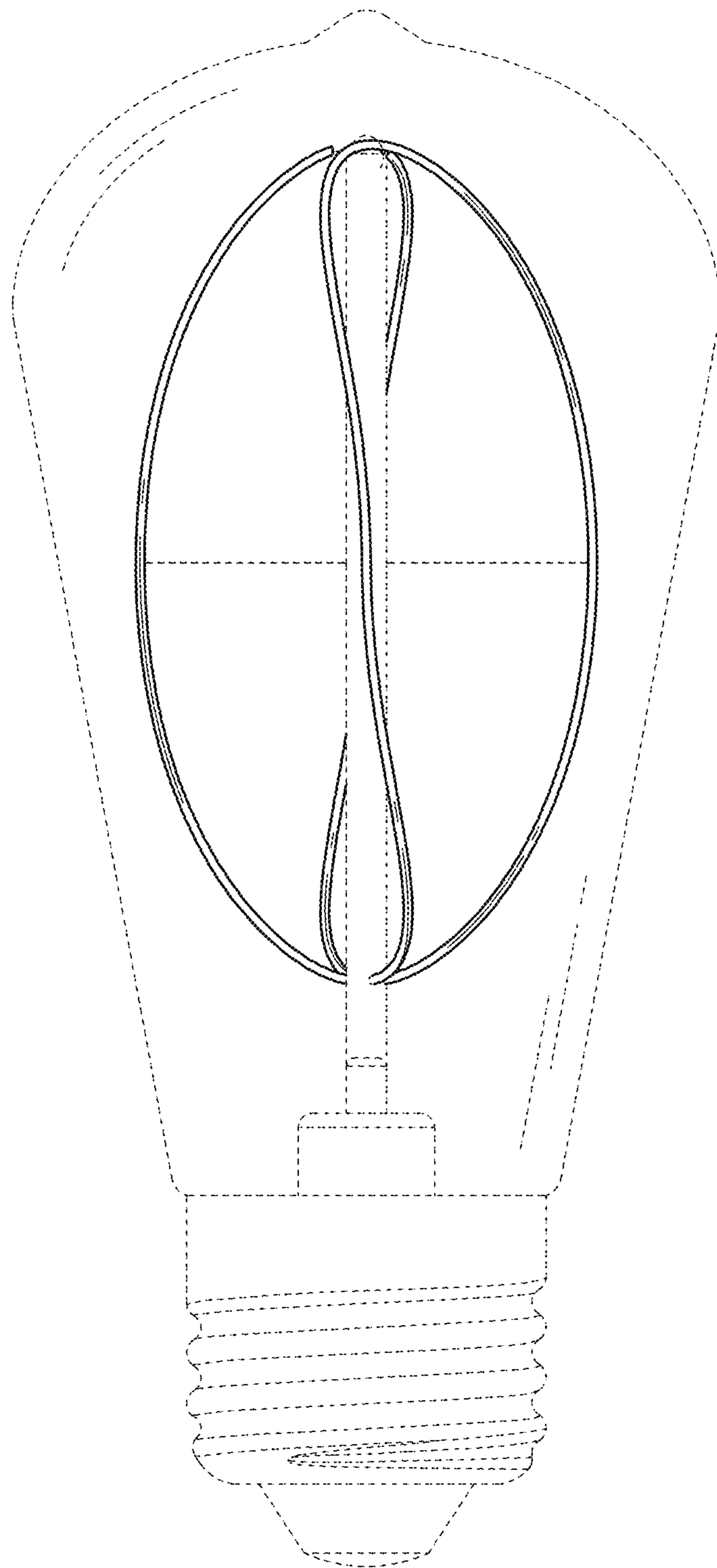


FIG. 66

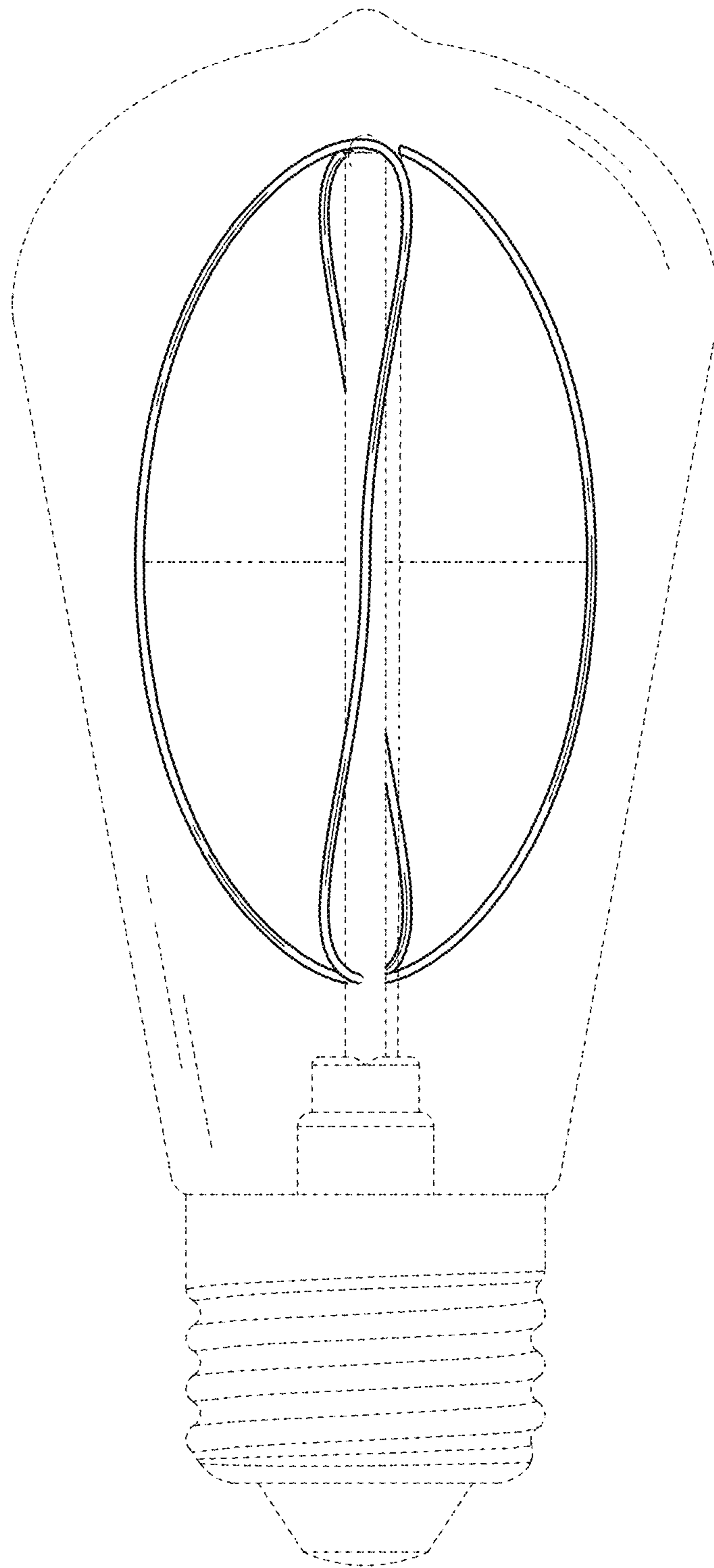


FIG. 67

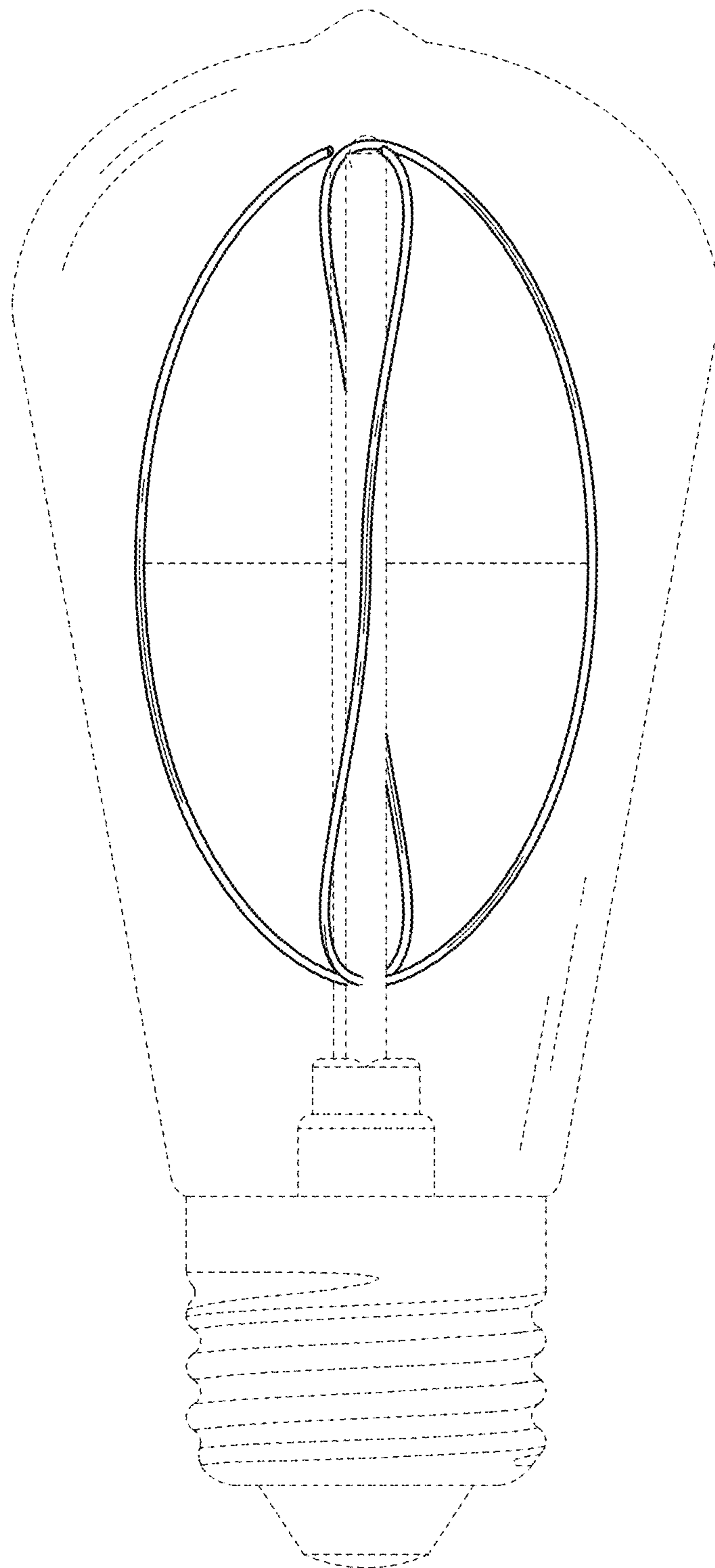


FIG. 68

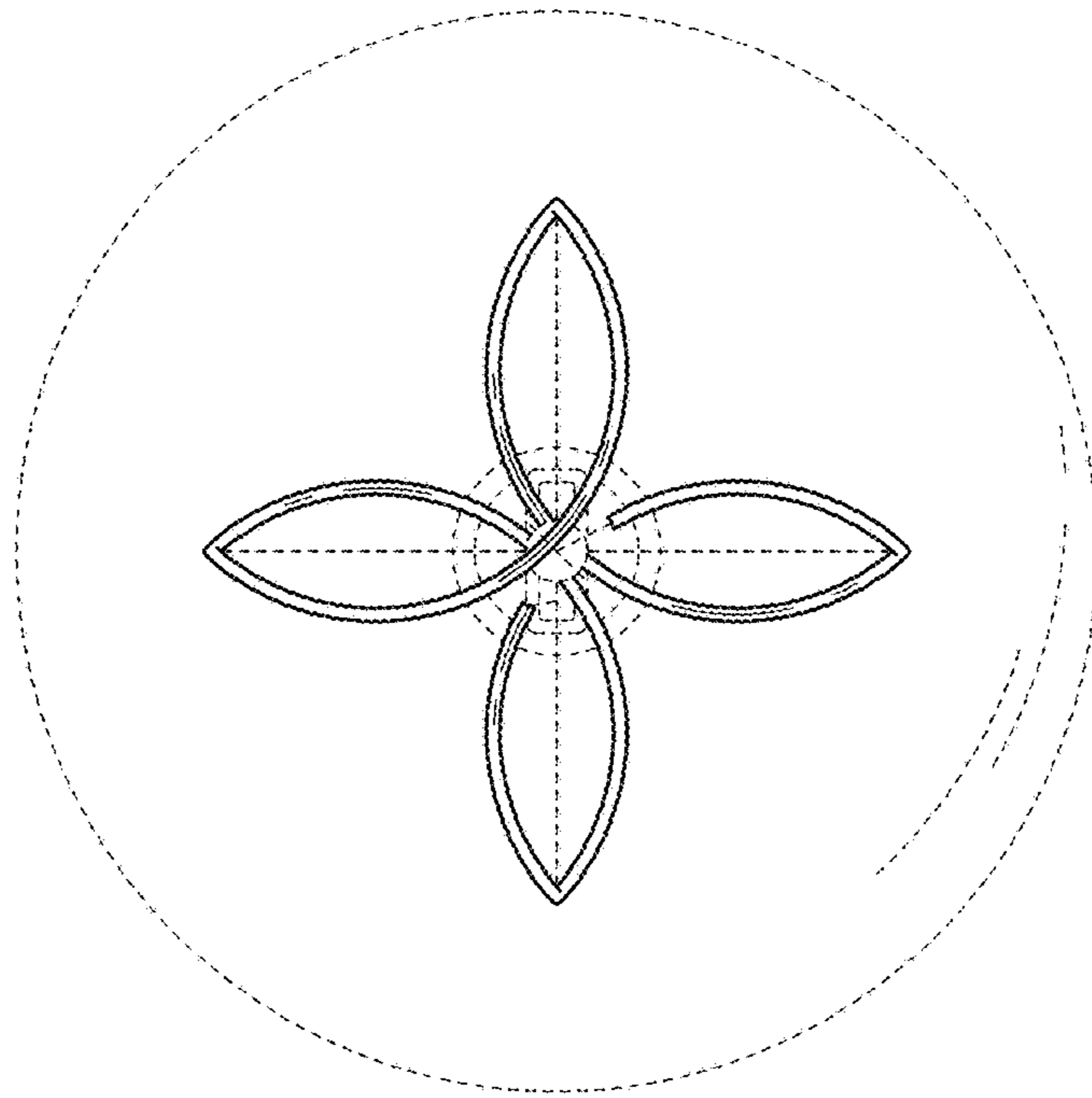


FIG. 69

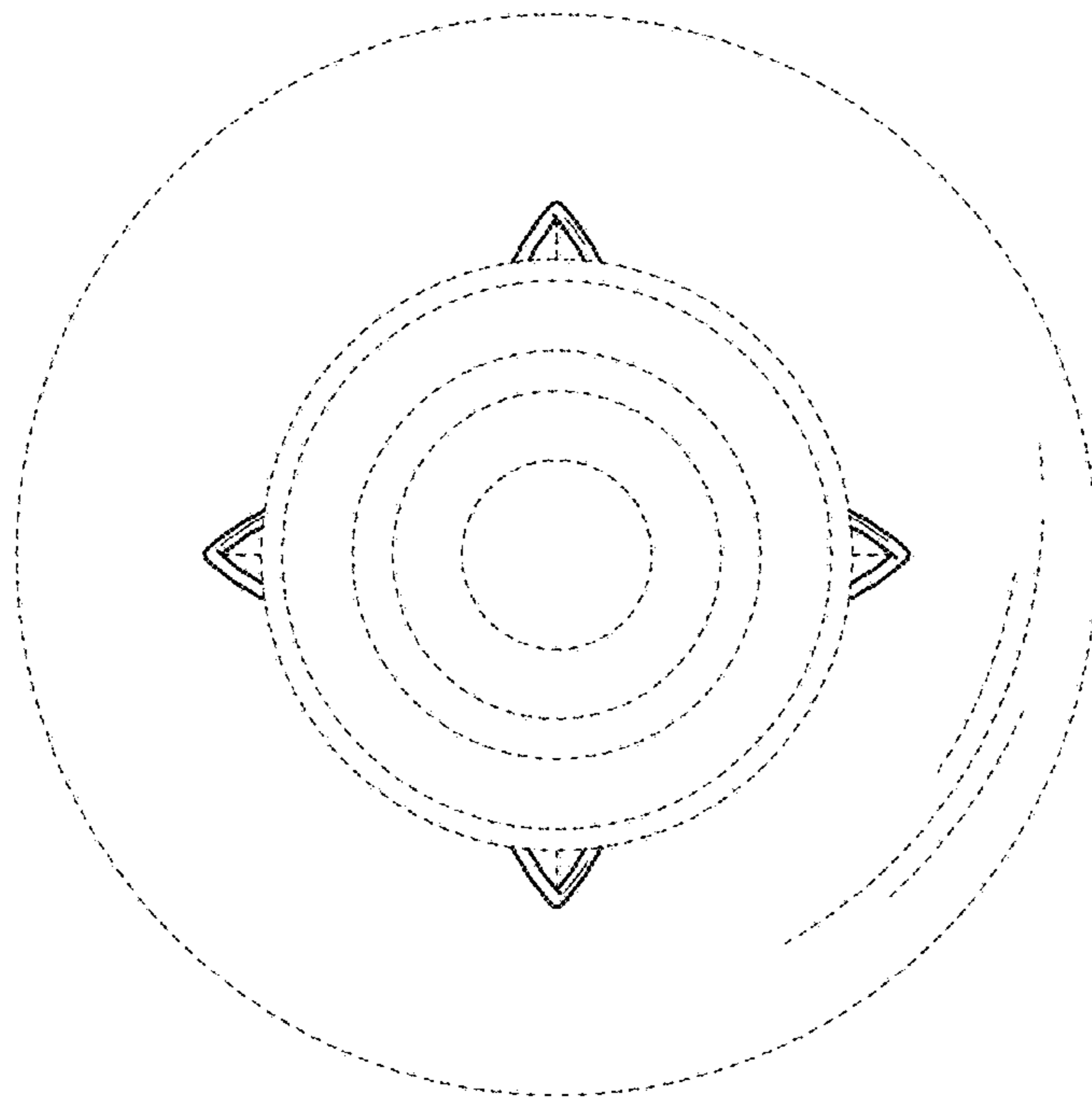


FIG. 70

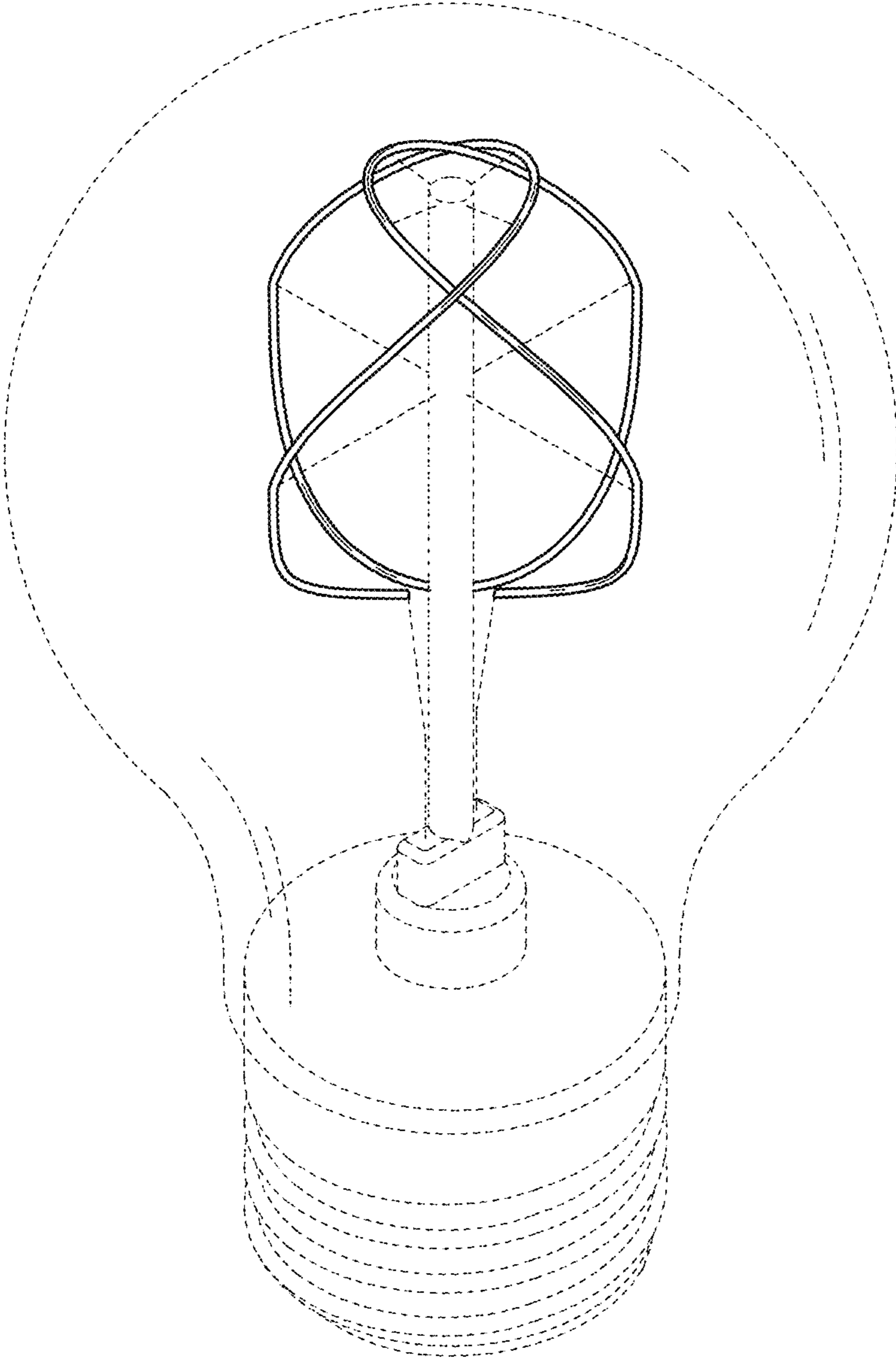


FIG. 71

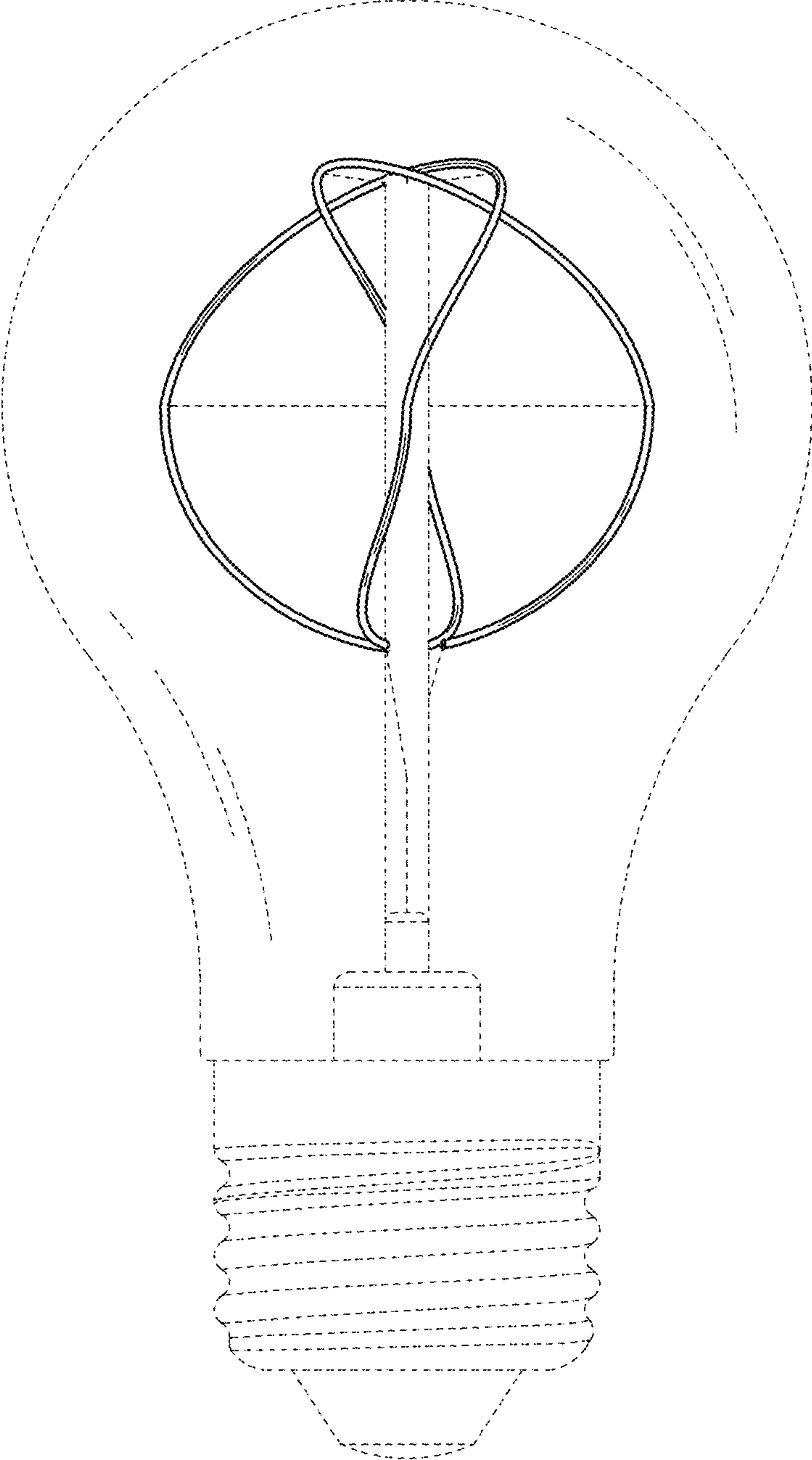


FIG. 72

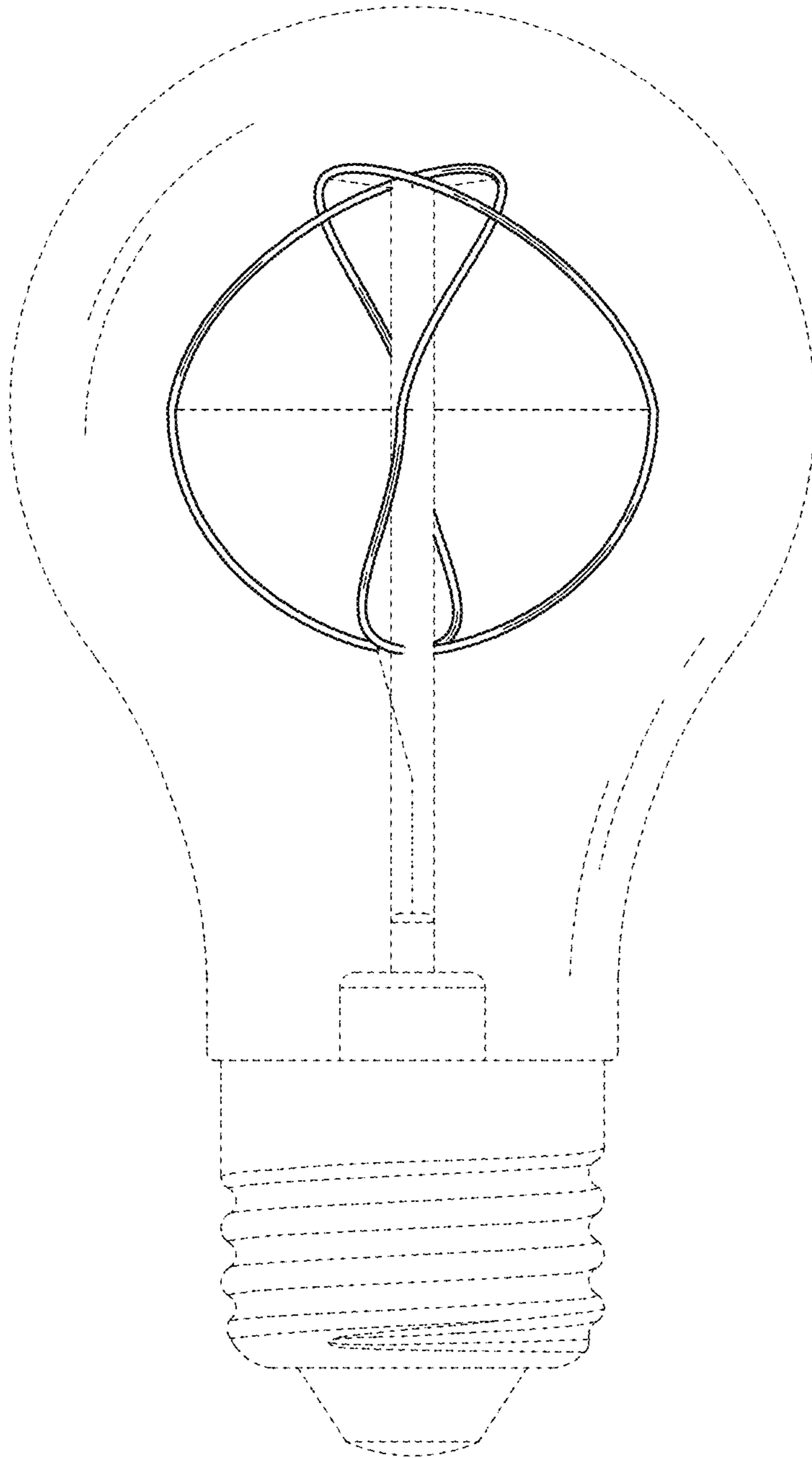


FIG. 73

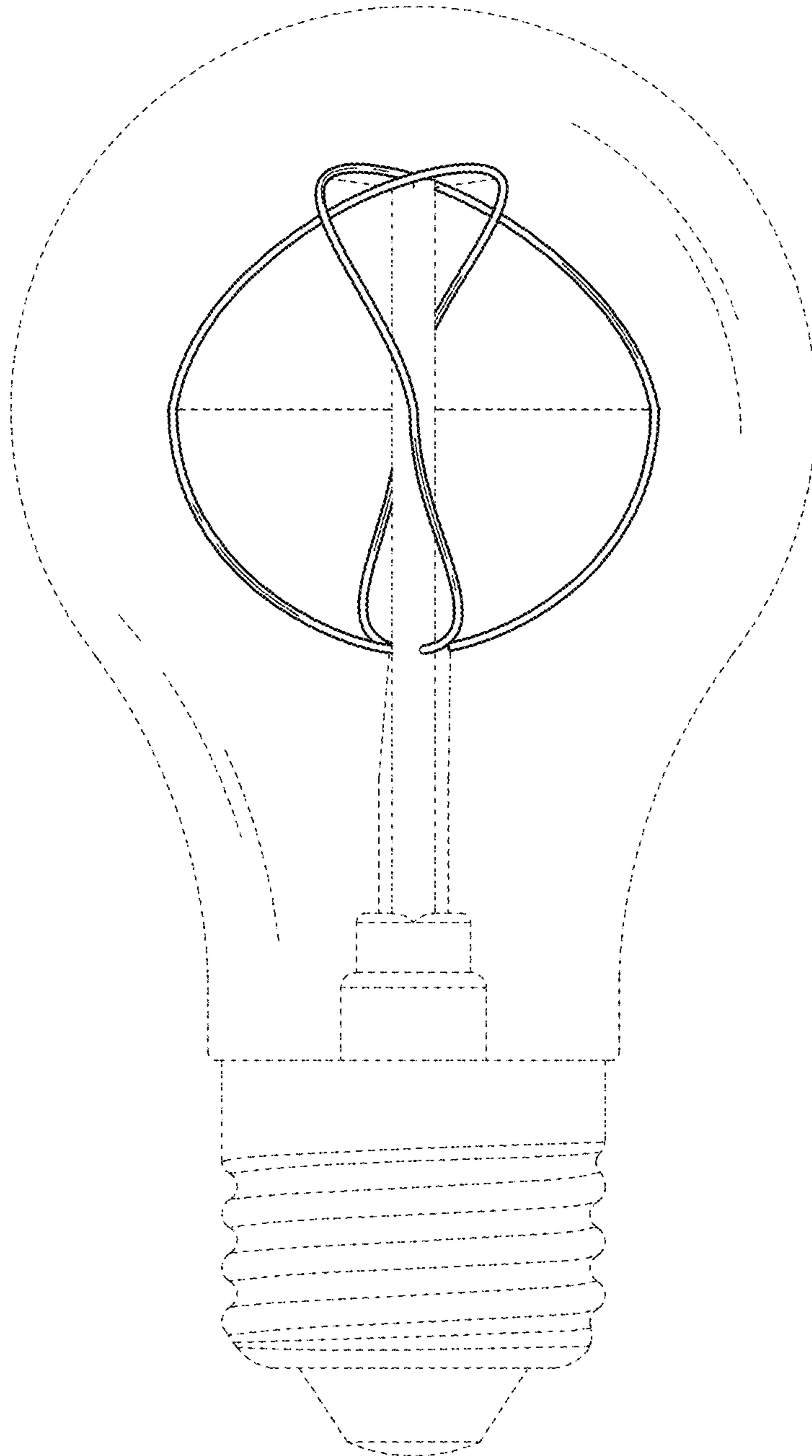


FIG. 74

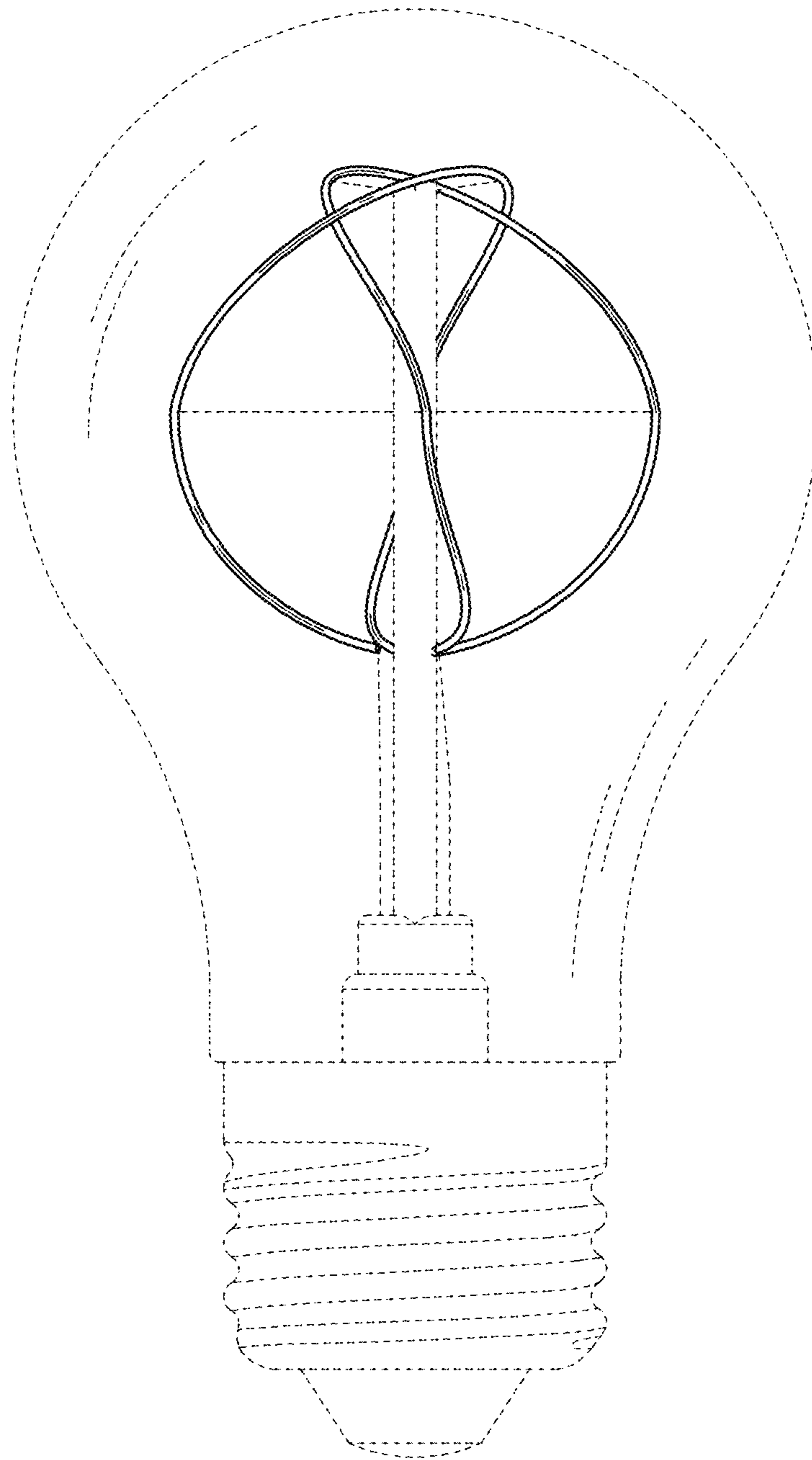


FIG. 75

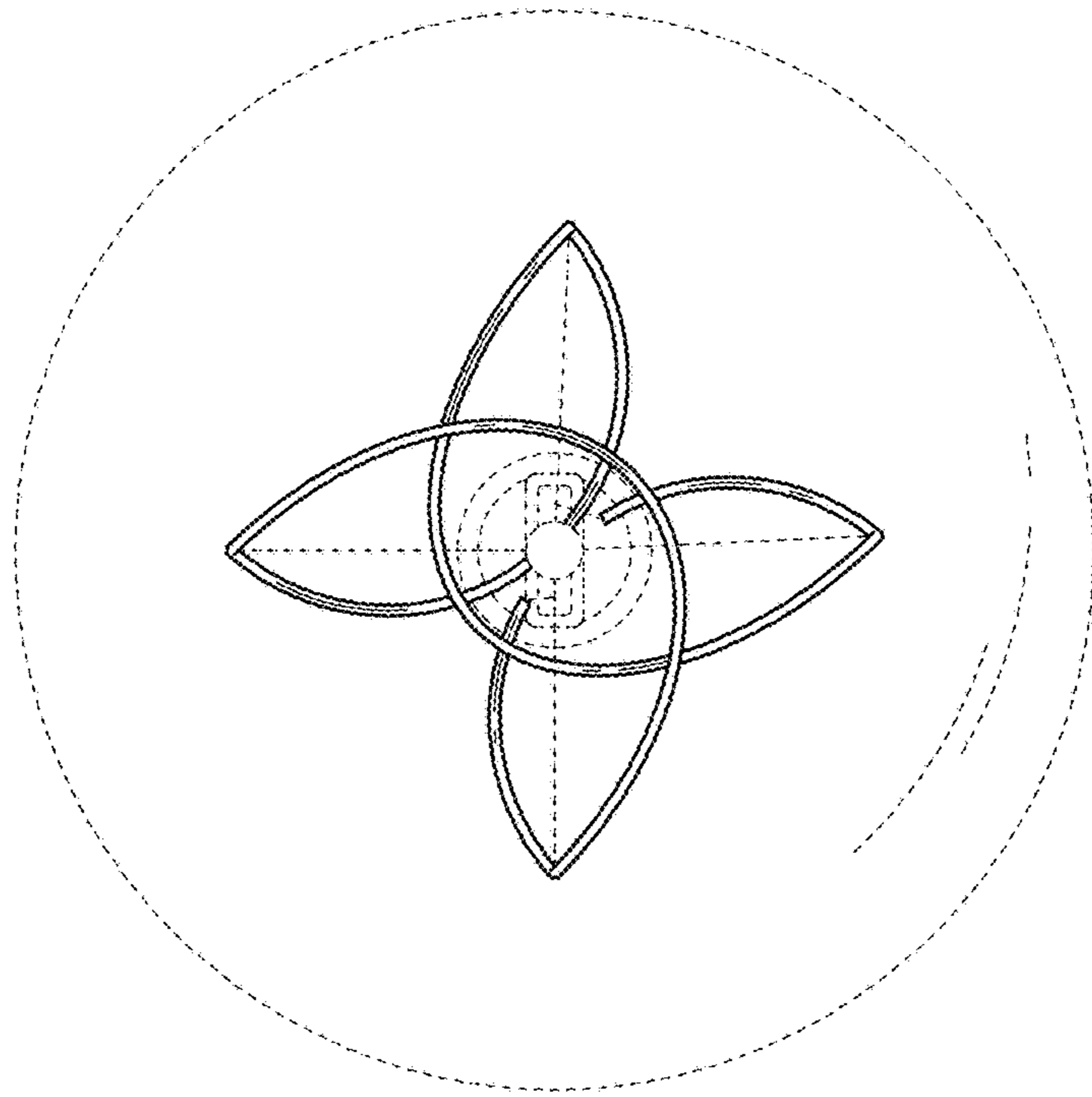


FIG. 76

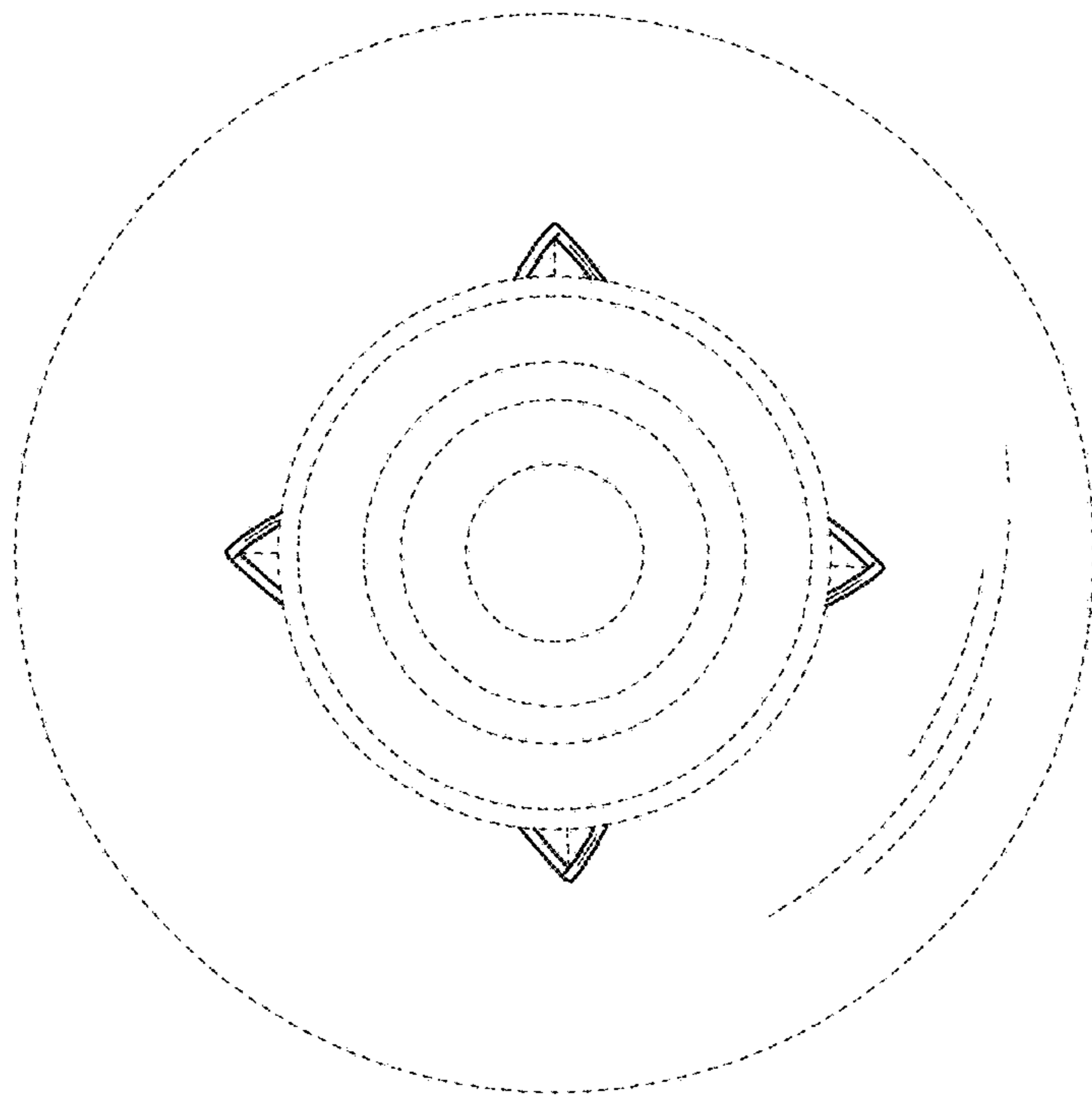


FIG. 77