



US00D862739S

(12) **United States Design Patent**
Damiani

(10) **Patent No.:** **US D862,739 S**

(45) **Date of Patent:** **** Oct. 8, 2019**

(54) **SOUND ABSORBING PANEL ASSEMBLY**

(71) Applicant: **Caimi Brevetti S.p.A.**, Nova Milanese (MB) (IT)

(72) Inventor: **Lorenzo Damiani**, Lissone (IT)

(73) Assignee: **CAIMI BREVETTI S.P.A.**, Nova Milanese (IT)

(**) Term: **15 Years**

(21) Appl. No.: **29/542,053**

(22) Filed: **Oct. 9, 2015**

(30) **Foreign Application Priority Data**

Apr. 10, 2015 (EM) 001433213

(51) **LOC (12) Cl.** **25-01**

(52) **U.S. Cl.**
USPC **D25/138**

(58) **Field of Classification Search**

USPC D5/53; D6/306, 332, 349, 396, 423, 430, D6/431, 439, 449, 470, 479, 480, 489, D6/509, 512, 635, 640, 679; D25/103-104, 106, 109-111, 113, D25/119-125, 139, 138, 141, 161; D23/267; D20/10, 27; D19/62, 64; D30/121

CPC E04F 13/0862; E04F 13/14; E04F 13/08; E04F 13/21; E04F 19/00; E01F 13/022; E04B 2/7437; E04B 2/7427; E04B 1/8209; E04B 1/8409; E04B 2001/8414; E04B 2001/849; E04B 9/0464; A47B 2220/02; A47G 5/00

See application file for complete search history.

(56) **References Cited**

U.S. PATENT DOCUMENTS

D448,495 S * 9/2001 Lamberts D25/109
D466,337 S * 12/2002 Feng D6/689

D560,072 S * 1/2008 Willis D6/332
D616,219 S * 5/2010 Herron D6/672
D637,313 S * 5/2011 Lamberts D25/103
D684,704 S * 6/2013 Lamberts D25/103
D687,640 S * 8/2013 Pedersen D6/349
D693,610 S * 11/2013 Denby D6/675
D729,416 S * 5/2015 Skjelbred D25/114
D753,419 S * 4/2016 Heirakuji D6/675

(Continued)

OTHER PUBLICATIONS

mic.booth.pdf—https://www.pinterest.com/pin/69031806760700019—
Mic Booth/ Found on: sch/Acoustical-Treatments/168129/bn_2 . . .
Page crawled on Feb 9, 2017 /.*

Primary Examiner — Jennifer Rivard

Assistant Examiner — Catherine S Posthauer

(74) *Attorney, Agent, or Firm* — McCracken & Gillen LLC

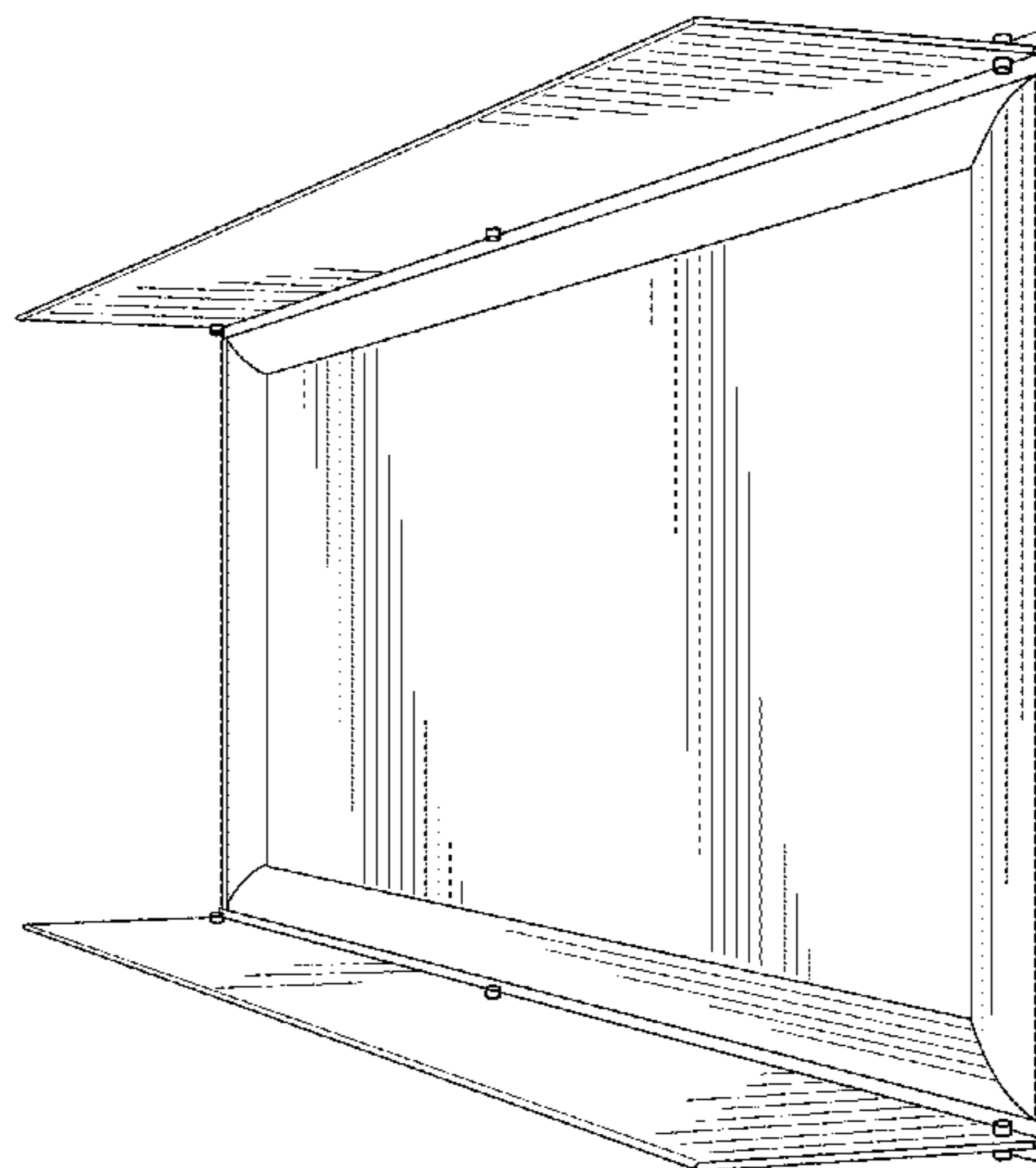
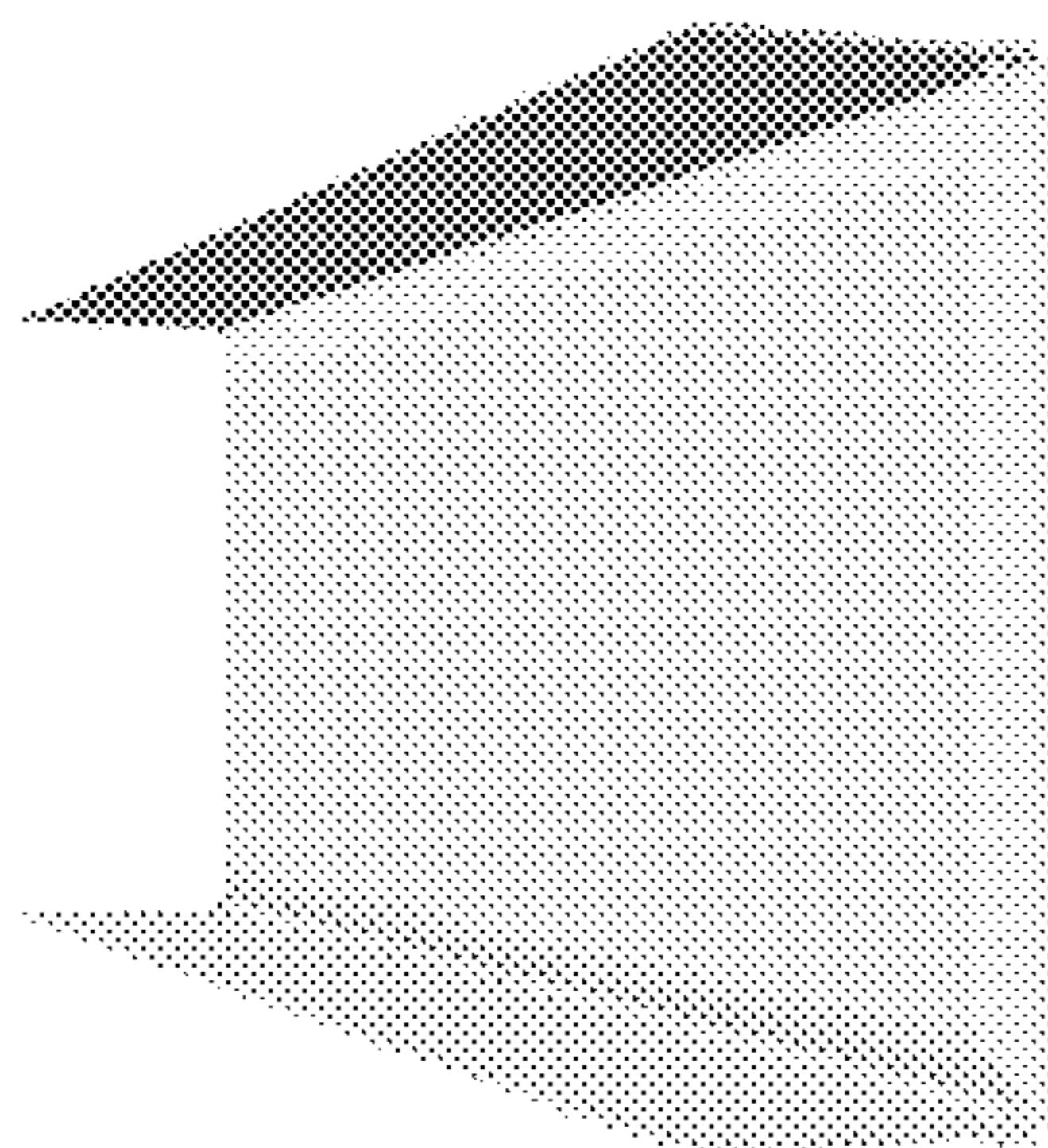
(57) **CLAIM**

The ornamental design for a sound absorbing panel assembly, as shown and described.

DESCRIPTION

FIG. 1 is a side perspective view of a first embodiment of a sound absorbing panel assembly, showing my new design; FIG. 2 is an isometric view of the first embodiment; FIG. 3 is a front perspective view of the first embodiment; FIG. 4 is a front elevation view of the first embodiment; FIG. 5 is a side perspective view of a second embodiment of the sound absorbing panel assembly; FIG. 6 is an isometric view of the second embodiment; FIG. 7 is a front perspective view of the second embodiment; and, FIG. 8 is a front elevation view of the second embodiment. The broken lines shown in FIG. 6 depict subject matter which forms no part of the second embodiment of the claimed design.

1 Claim, 8 Drawing Sheets



(56)

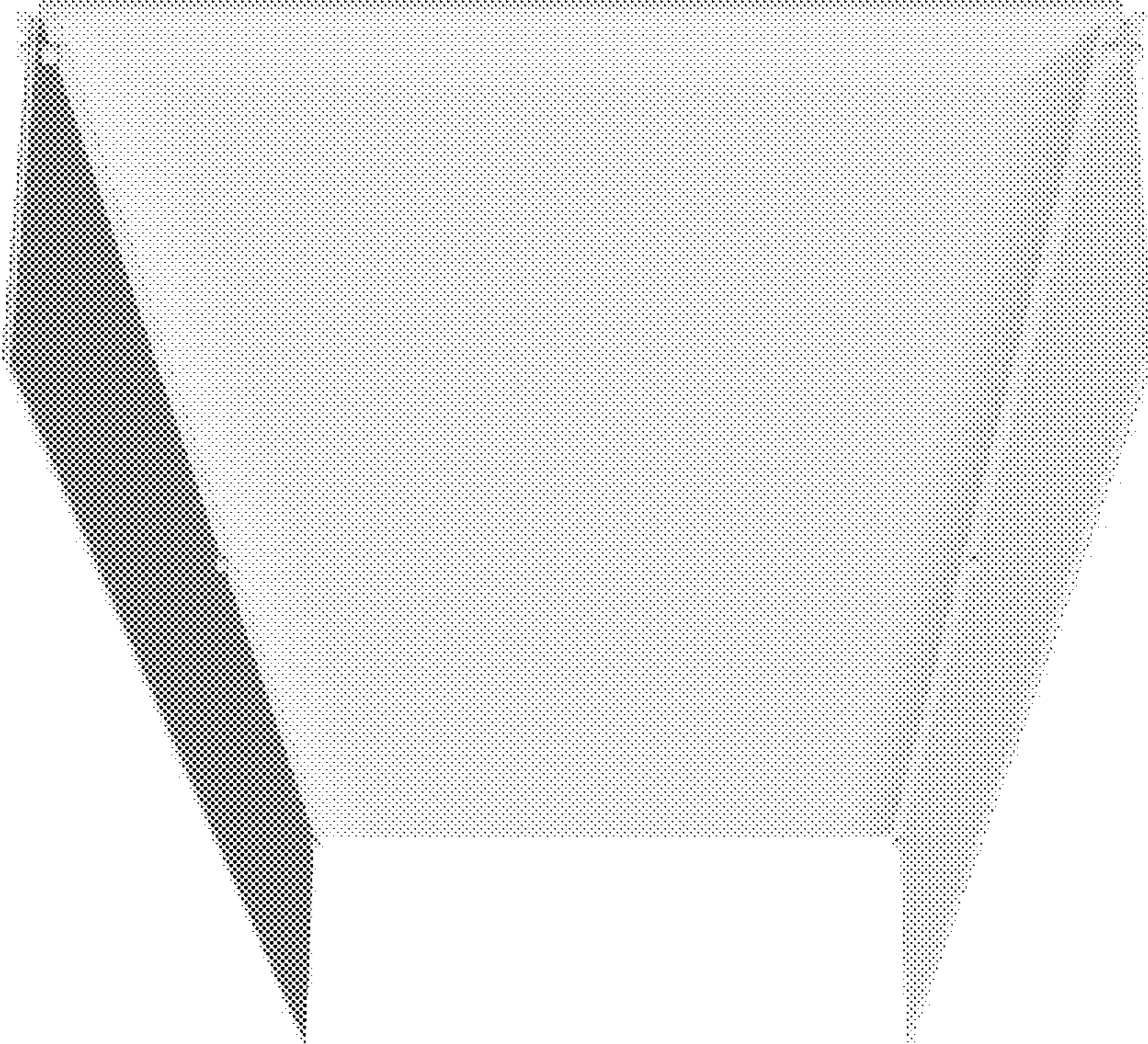
References Cited

U.S. PATENT DOCUMENTS

D777,459 S * 1/2017 Parshad D6/332
D781,086 S * 3/2017 Velez D6/656
D791,344 S * 7/2017 Lamberts D25/109
2004/0112550 A1* 6/2004 Green E01F 13/022
160/135
2017/0044765 A1* 2/2017 Parr E04B 2/7425

* cited by examiner

Fig. 1



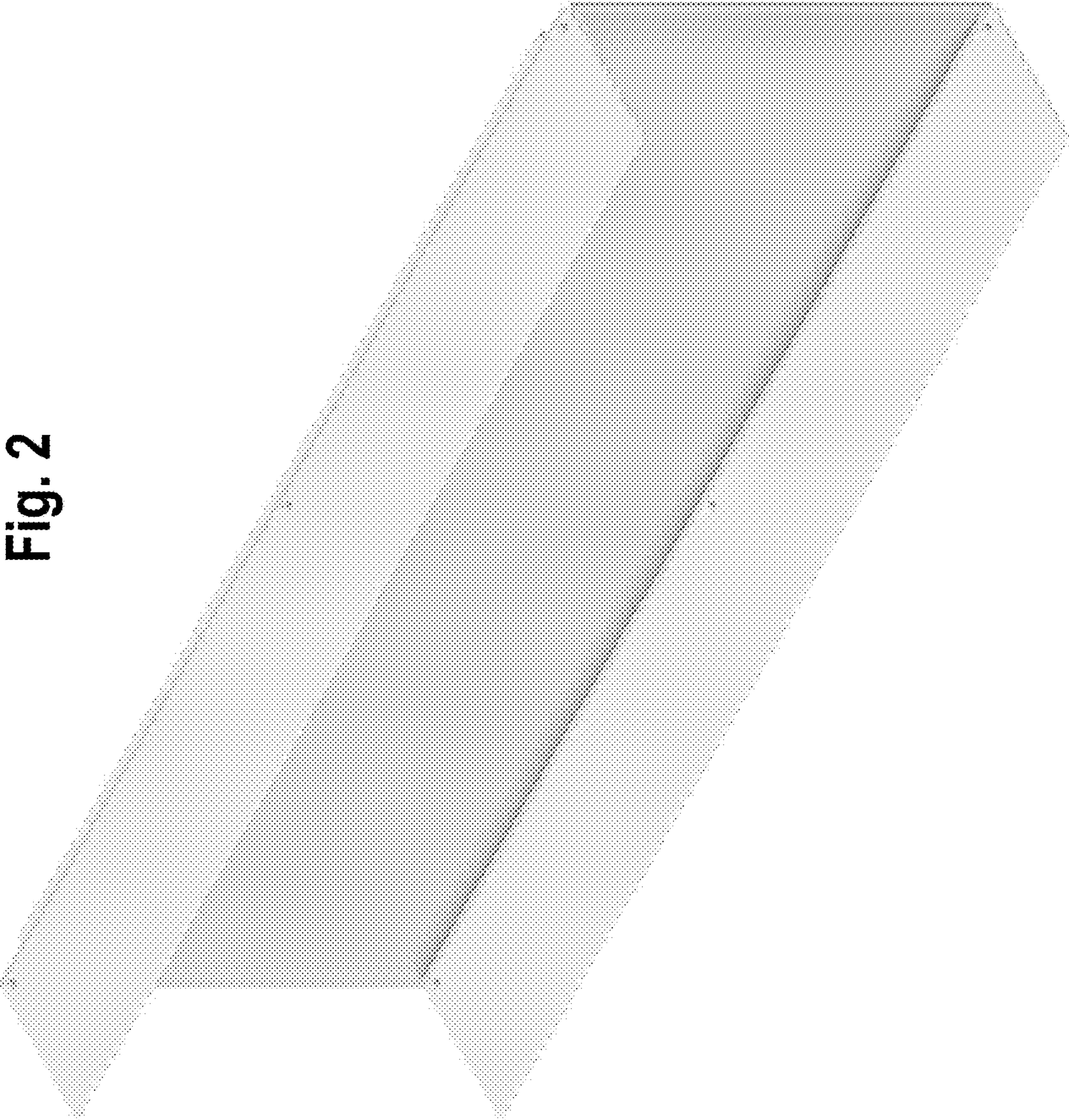


Fig. 2

Fig. 3

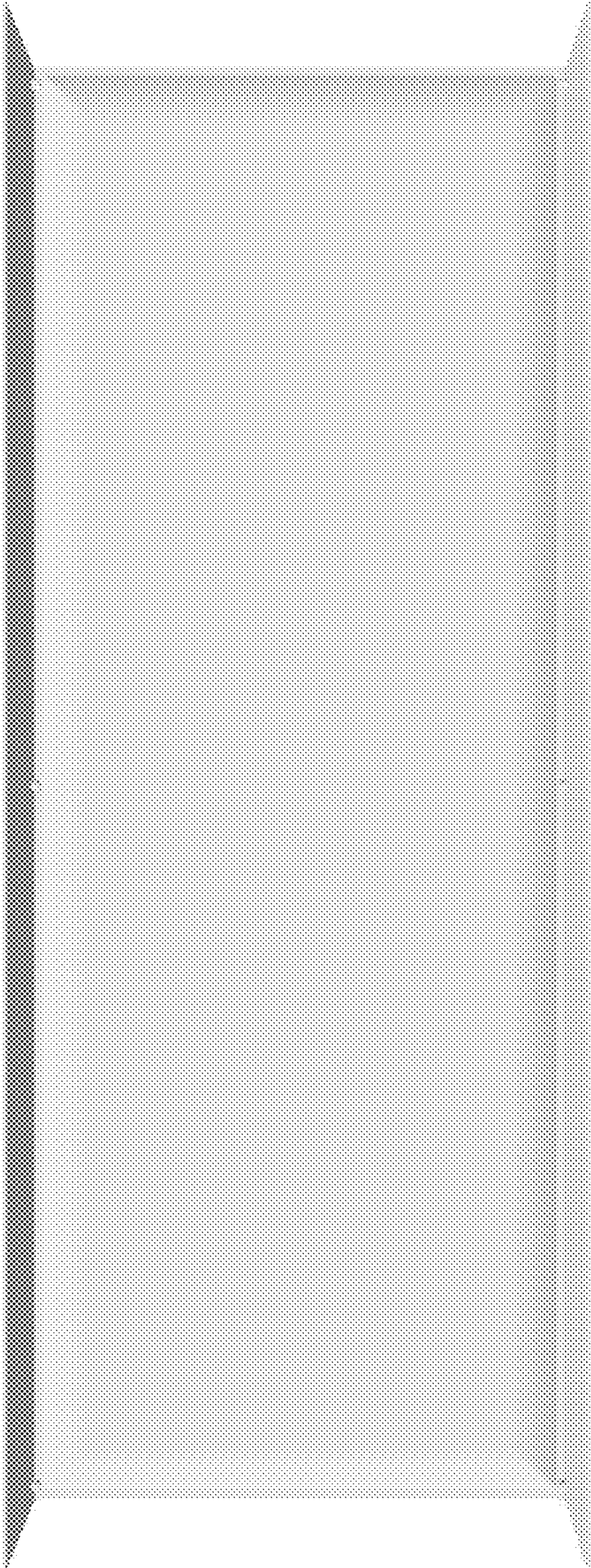


Fig. 4



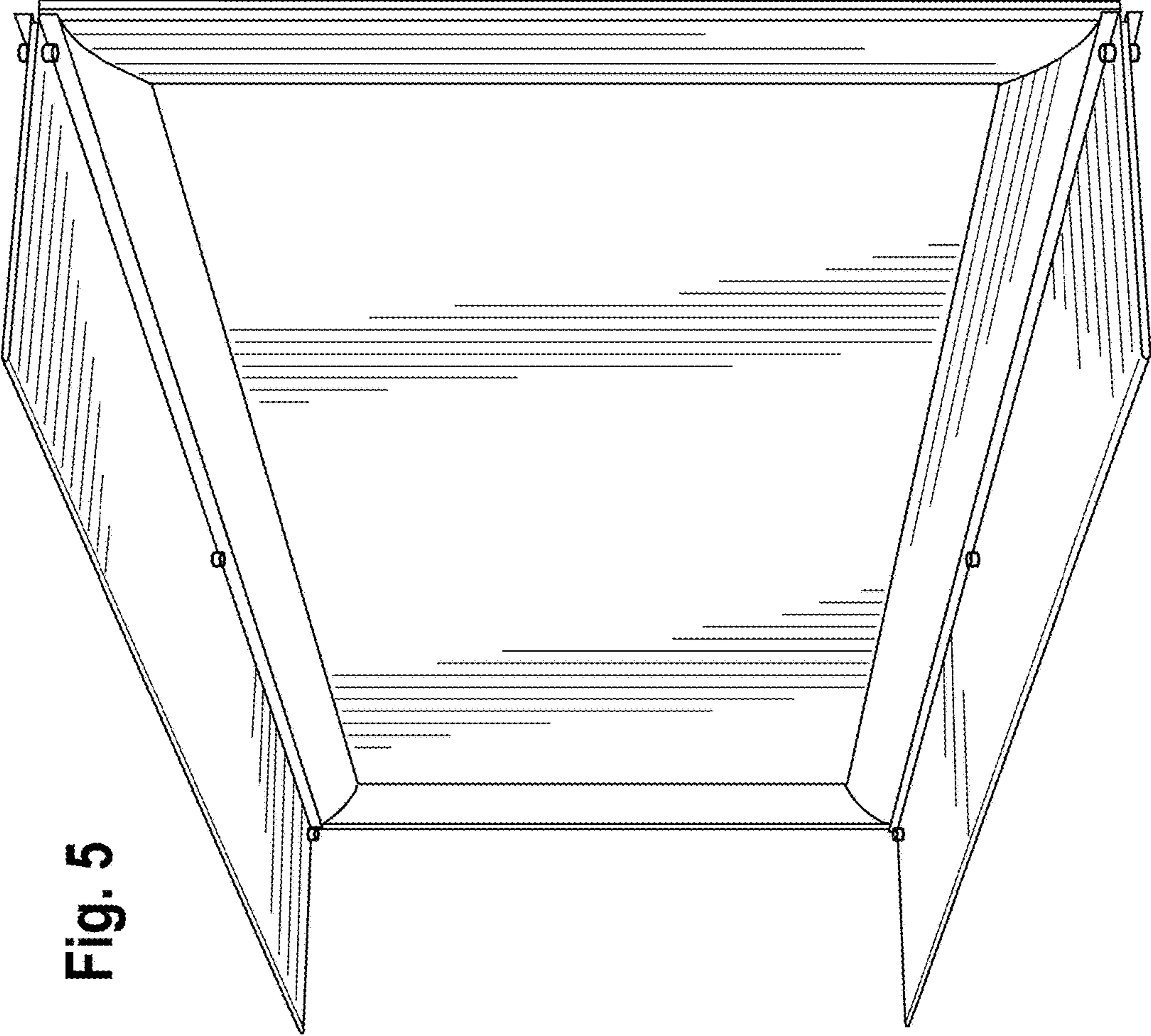


Fig. 5

Fig. 6

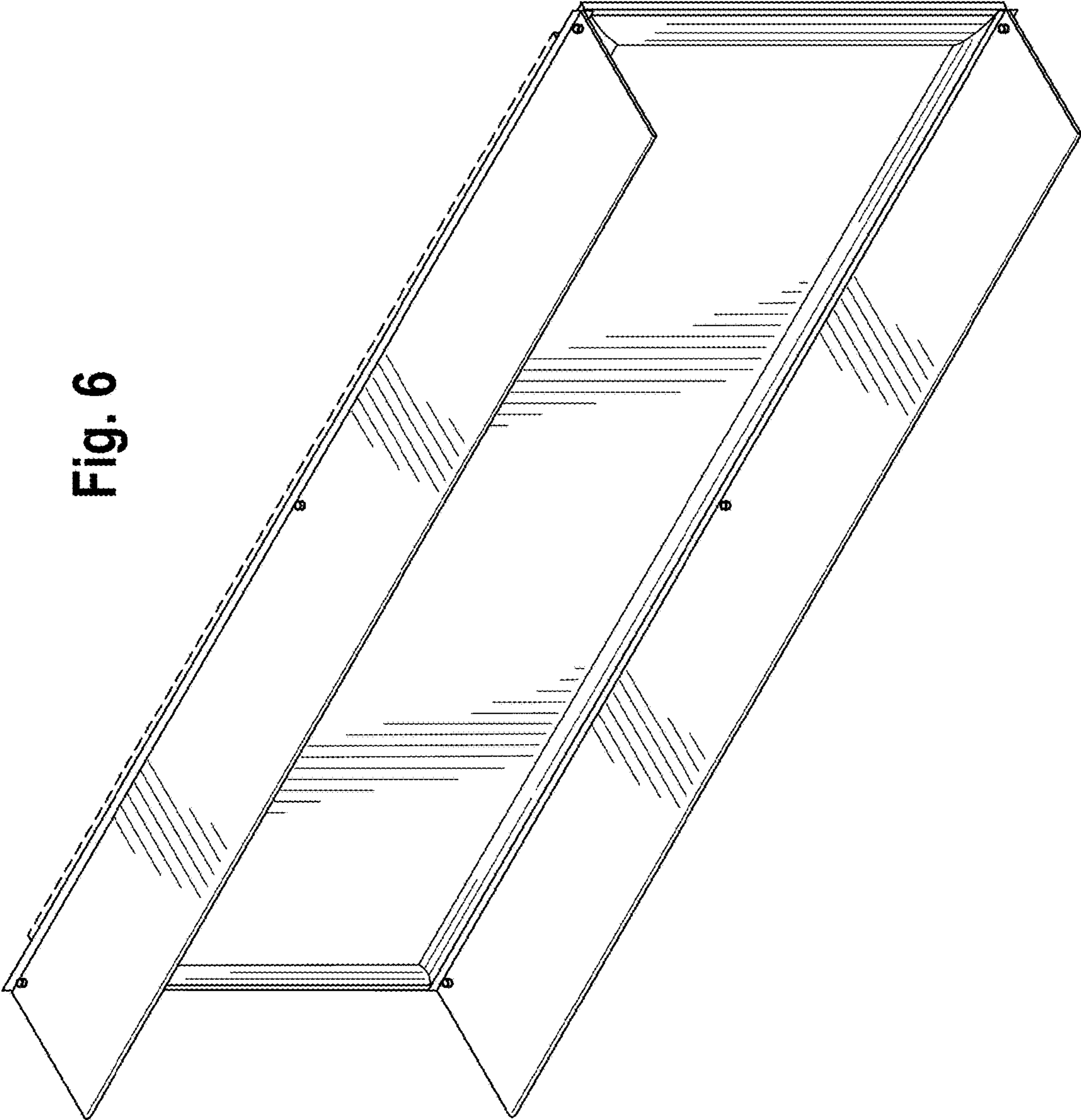


Fig. 7

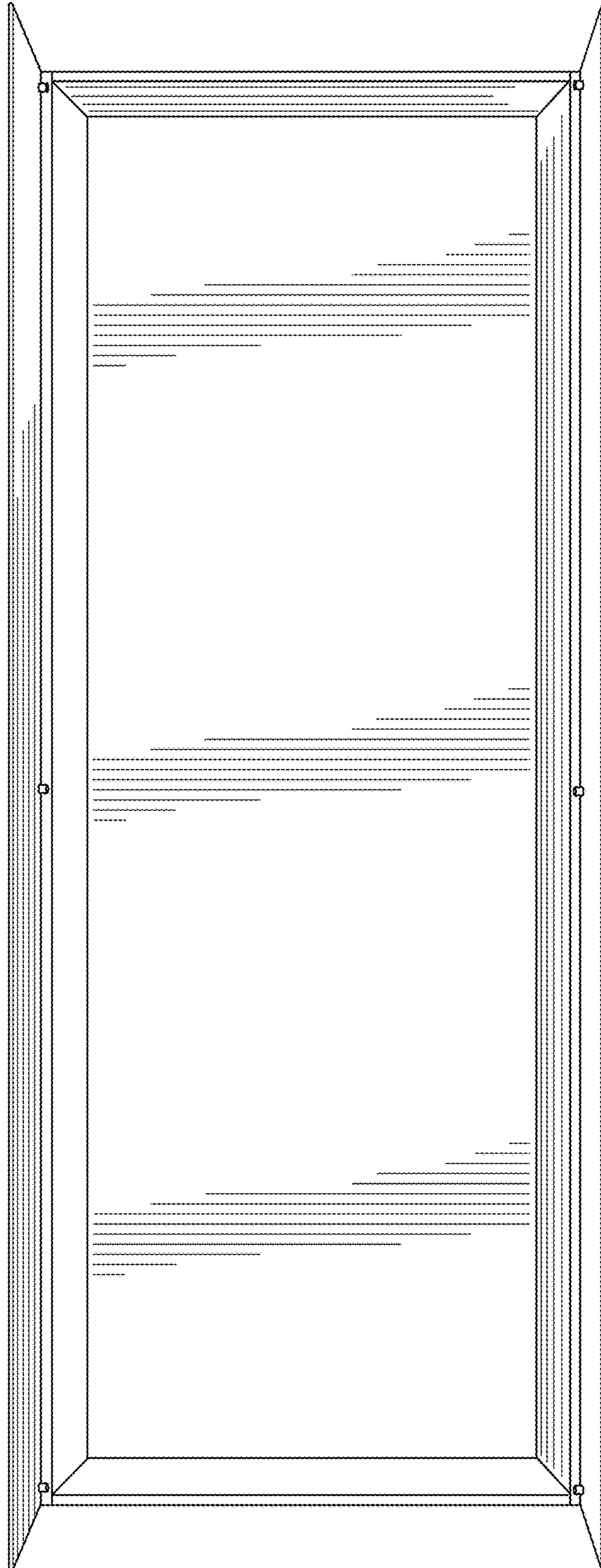


Fig. 8

