

US00D862735S

(12) **United States Design Patent**
Jin

(10) **Patent No.:** **US D862,735 S**
(45) **Date of Patent:** **** Oct. 8, 2019**

(54) **FENCE SCREEN**

(71) Applicant: **A Color Tree Inc**, Pomona, CA (US)

(72) Inventor: **Yan Jin**, Pomona, CA (US)

(**) Term: **15 Years**

(21) Appl. No.: **29/619,668**

(22) Filed: **Sep. 29, 2017**

(51) **LOC (12) Cl.** **25-02**

(52) **U.S. Cl.**
USPC **D25/48.8**

(58) **Field of Classification Search**
USPC D5/1, 47; D25/38.1, 48.1, 48.8, 58
(Continued)

(56) **References Cited**

U.S. PATENT DOCUMENTS

1,023,094 A * 4/1912 Palmer E06B 9/262
160/377
1,398,869 A * 11/1921 Le Roy E06B 9/52
160/374

(Continued)

OTHER PUBLICATIONS

<https://colourtreesusa.com/products/colourtrees-5-x-50-fence-screen-privacy-screen-green-commercial-grade-150-gsm-heavy-duty> Oct. 9, 2018 (Year: 2018).*

Primary Examiner — Leanne Was-Englehart

(74) *Attorney, Agent, or Firm* — Tsz Lung Yeung

(57) **CLAIM**

The ornamental design for a fence screen, as shown and described.

DESCRIPTION

FIG. 1 is a perspective view of a fence screen showing my new design;

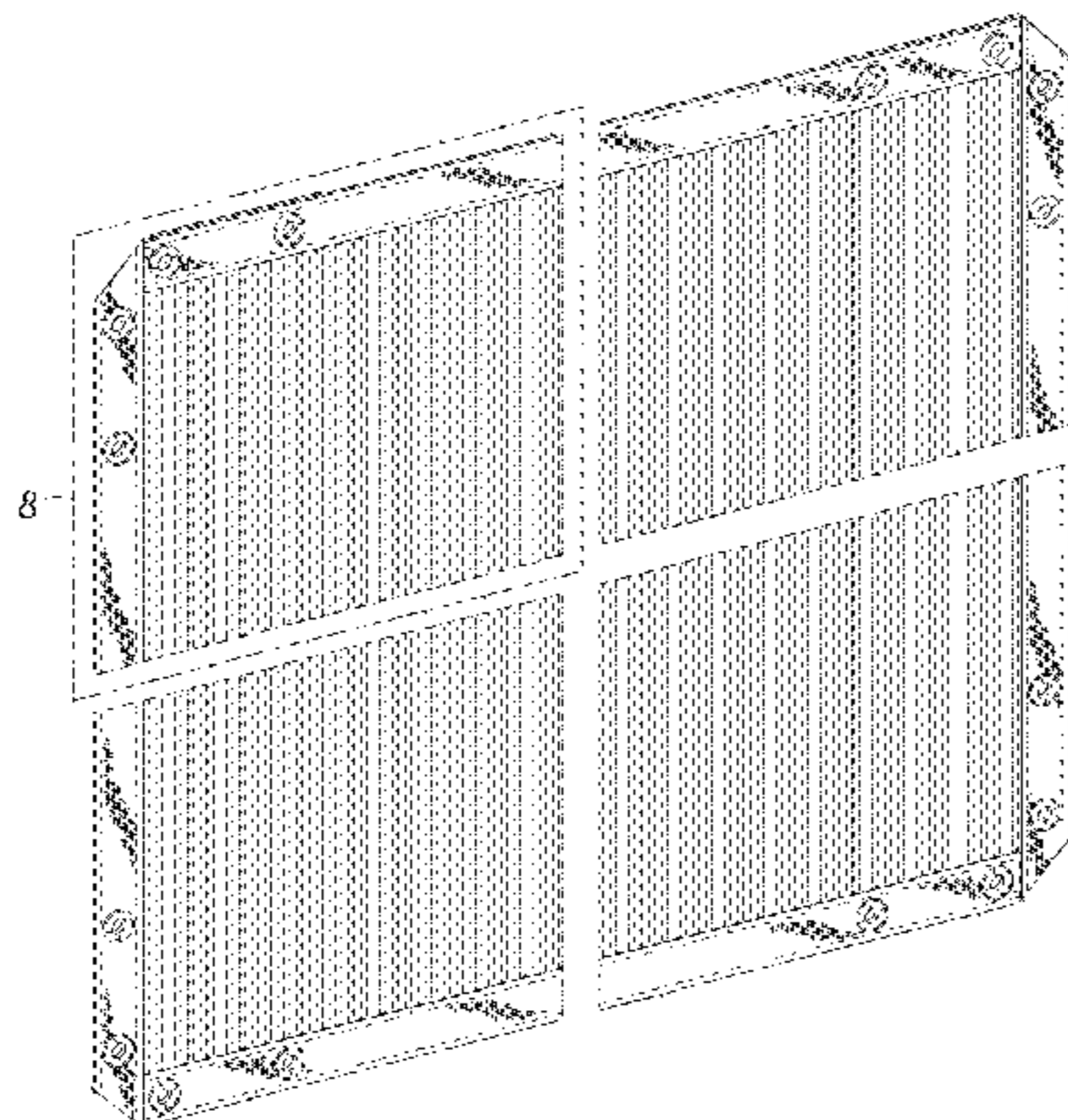


FIG. 2 is a front view thereof;
FIG. 3 is a rear view thereof;
FIG. 4 is a right side view thereof;
FIG. 5 is a left side view thereof;
FIG. 6 is a top view thereof;
FIG. 7 is a bottom view thereof;
FIG. 8 is an enlarged perspective view of the left upper portion thereof;
FIG. 9 is a perspective view of a second embodiment of a fence screen showing my new design;
FIG. 10 is a front view thereof;
FIG. 11 is a rear view thereof;
FIG. 12 is a right side view thereof, shown at 2x scale of FIG. 9;
FIG. 13 is a left side view thereof, shown at 2x scale of FIG. 9;
FIG. 14 is a top view thereof, shown at 2x scale of FIG. 9;
FIG. 15 is a bottom view thereof, shown at 2x scale of FIG. 9;
FIG. 16 is an enlarged perspective view of the left upper portion thereof, shown at 2x scale of FIG. 9;
FIG. 17 is a perspective view of a third embodiment of a fence screen showing my new design;
FIG. 18 is a front view thereof;
FIG. 19 is a rear view thereof;
FIG. 20 is a right side view thereof, shown at 2x scale of FIG. 17;
FIG. 21 is a left side view thereof, shown at 2x scale of FIG. 17;
FIG. 22 is a top view thereof, shown at 2x scale of FIG. 17;
FIG. 23 is a bottom view thereof, shown at 2x scale of FIG. 17;
FIG. 24 is an enlarged perspective view of the left upper portion thereof, shown at 2x scale of FIG. 17;
FIG. 25 is a perspective view of a fourth embodiment of a fence screen showing my new design;
FIG. 26 is a front view thereof;
FIG. 27 is a rear view thereof;
FIG. 28 is a right side view thereof, shown at 2x scale of FIG. 25;
FIG. 29 is a left side view thereof, shown at 2x scale of FIG. 25;
FIG. 30 is a top view thereof, shown at 2x scale of FIG. 25;

(Continued)

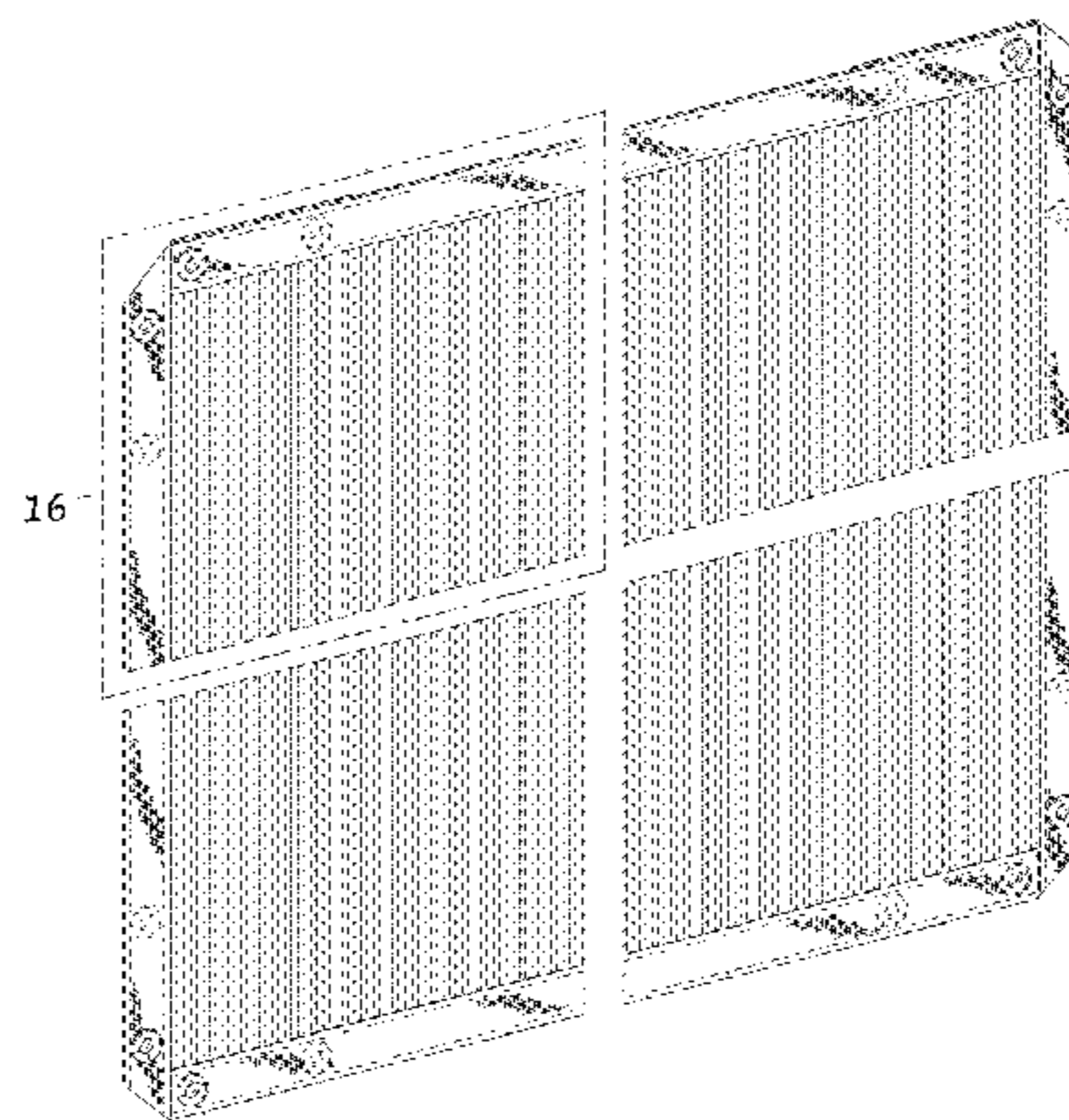


FIG. 31 is a bottom view thereof, shown at 2x scale of FIG. 25; and,

FIG. 32 is an enlarged perspective view of the left upper portion thereof, shown at 2x scale of FIG. 25.

The broken lines along two sides of peripheral edges represent stitching and form part of the claim. The broken lines of grommets in various figures represent portions that form no part of the claimed design.

The drawings contain a symbolic break. The portion between the break lines forms no part of the claimed design.

1 Claim, 24 Drawing Sheets

(58) **Field of Classification Search**

CPC E06B 9/44; E06B 9/52; E06B 9/54; E06B 9/264; E06B 3/6715; E06B 2009/524; E06B 2009/527; E06B 2009/528; B60J 1/2011; Y10S 160/02

See application file for complete search history.

(56) **References Cited**

U.S. PATENT DOCUMENTS

1,797,511 A * 3/1931 Mensik E06B 9/52
160/397
1,814,162 A * 7/1931 Ingram E06B 9/52
16/382

1,814,322 A * 7/1931 McCormack B60J 1/2011
160/105
1,881,037 A * 10/1932 Vuchetich E06B 9/44
160/21
2,297,729 A * 10/1942 Thomas E06B 9/52
160/238
2,396,560 A * 3/1946 Dion E06B 9/52
160/374
2,462,520 A * 2/1949 Marbach E06B 9/54
160/100
2,504,602 A * 4/1950 Steingruber E06B 9/52
160/381
2,884,056 A * 4/1959 Kubatzky E06B 9/52
16/269
4,231,412 A * 11/1980 Nowak E06B 9/52
160/113
D410,289 S * 5/1999 Howard D25/38.1
D553,258 S * 10/2007 Biancardi D25/2
D611,615 S * 3/2010 Therrien D25/48.8
D635,275 S * 3/2011 Nissenbaum D25/38.1
D666,308 S * 8/2012 Sanchez D25/48.8
D675,341 S * 1/2013 Cochrane D25/38.1
D746,484 S * 12/2015 Nissenbaum D25/38.1
D748,818 S * 2/2016 Shen D25/48.8
2016/0265274 A1 * 9/2016 Rapp E06B 9/52
2017/0009523 A1 * 1/2017 Grewal E06B 9/52
2018/0193793 A1 * 7/2018 Quaglieri B01D 53/261

* cited by examiner

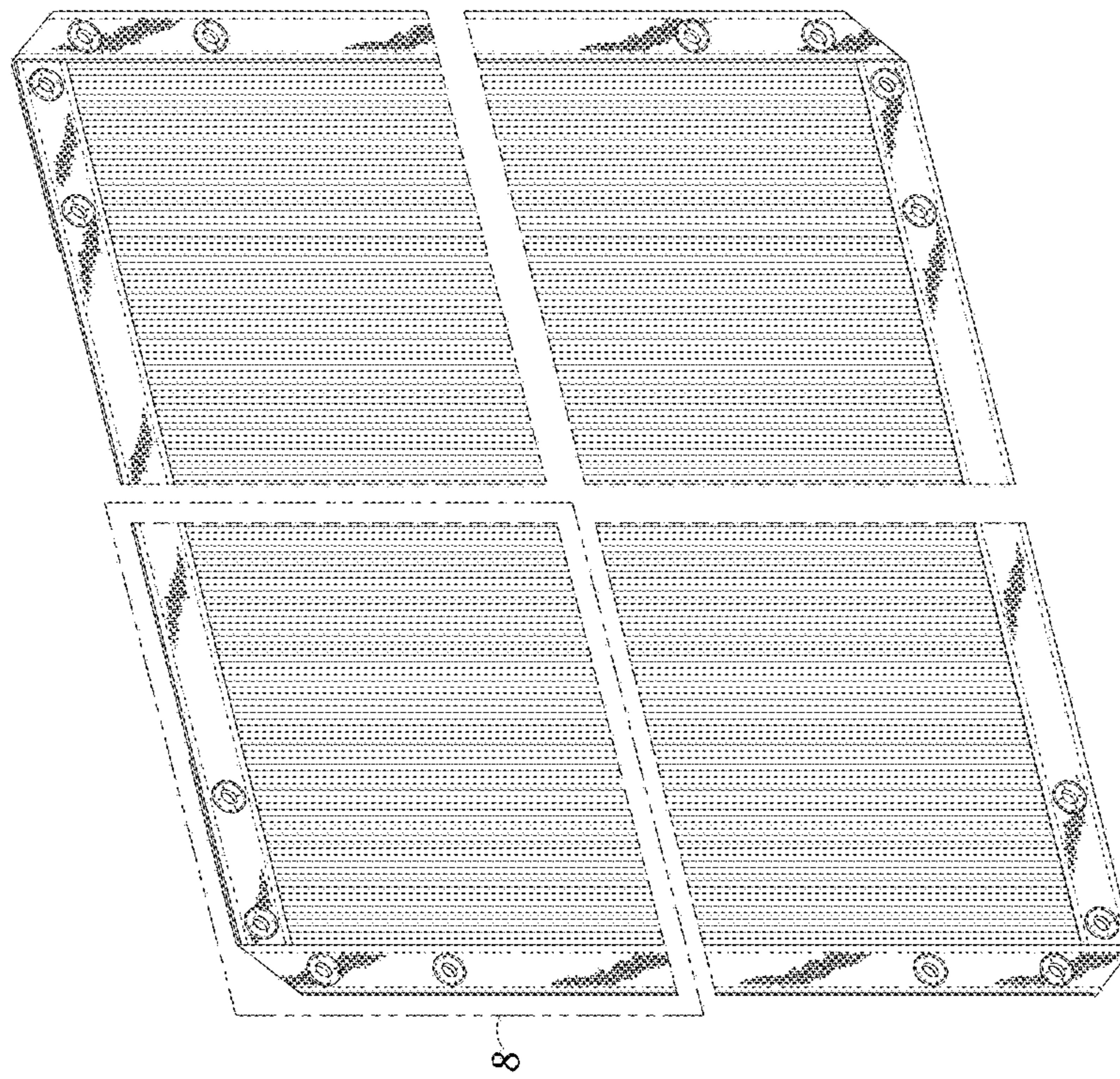


FIG. 1

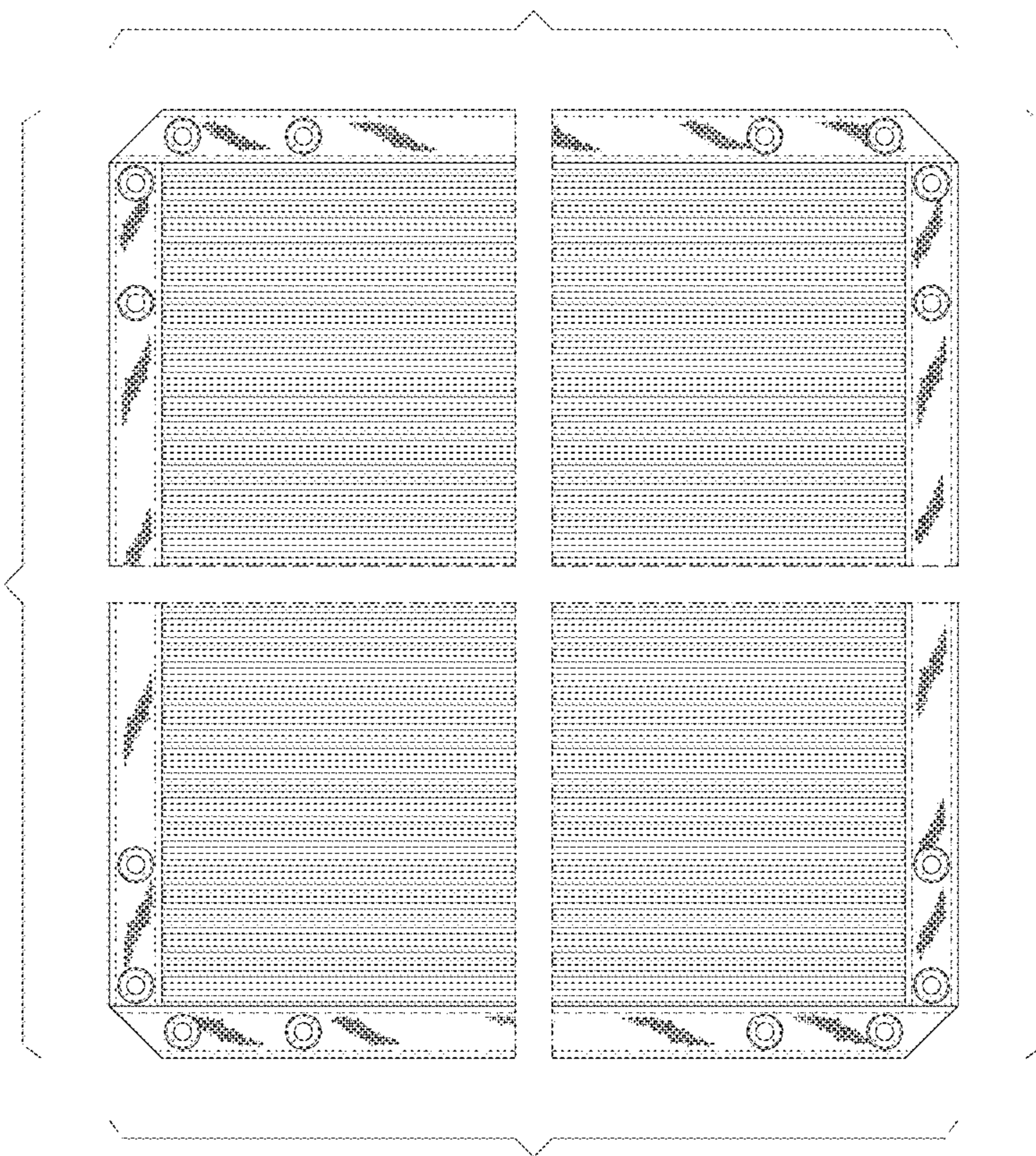


FIG. 2

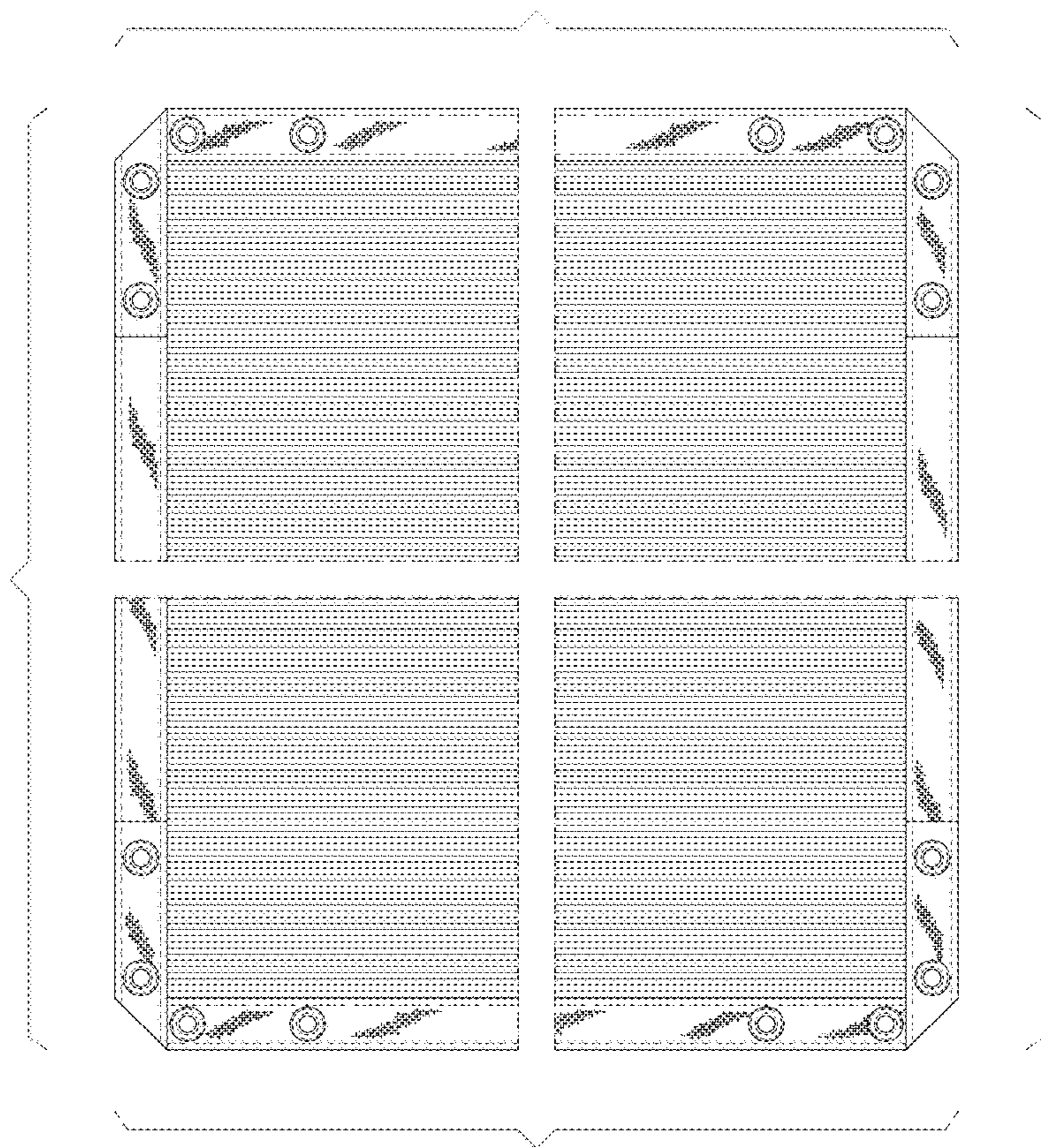


FIG. 3

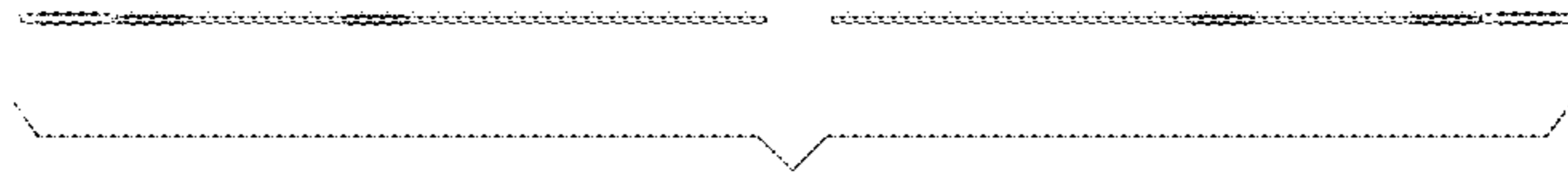


FIG. 5

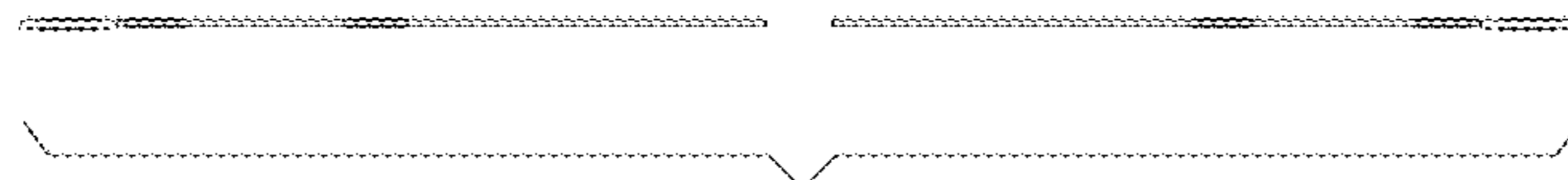


FIG. 4

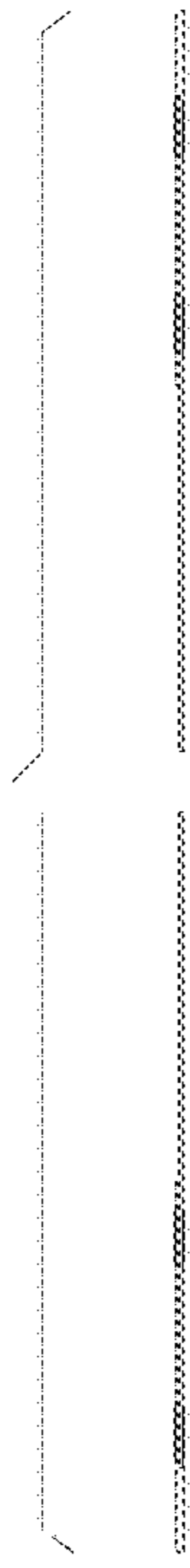


FIG. 6



FIG. 7

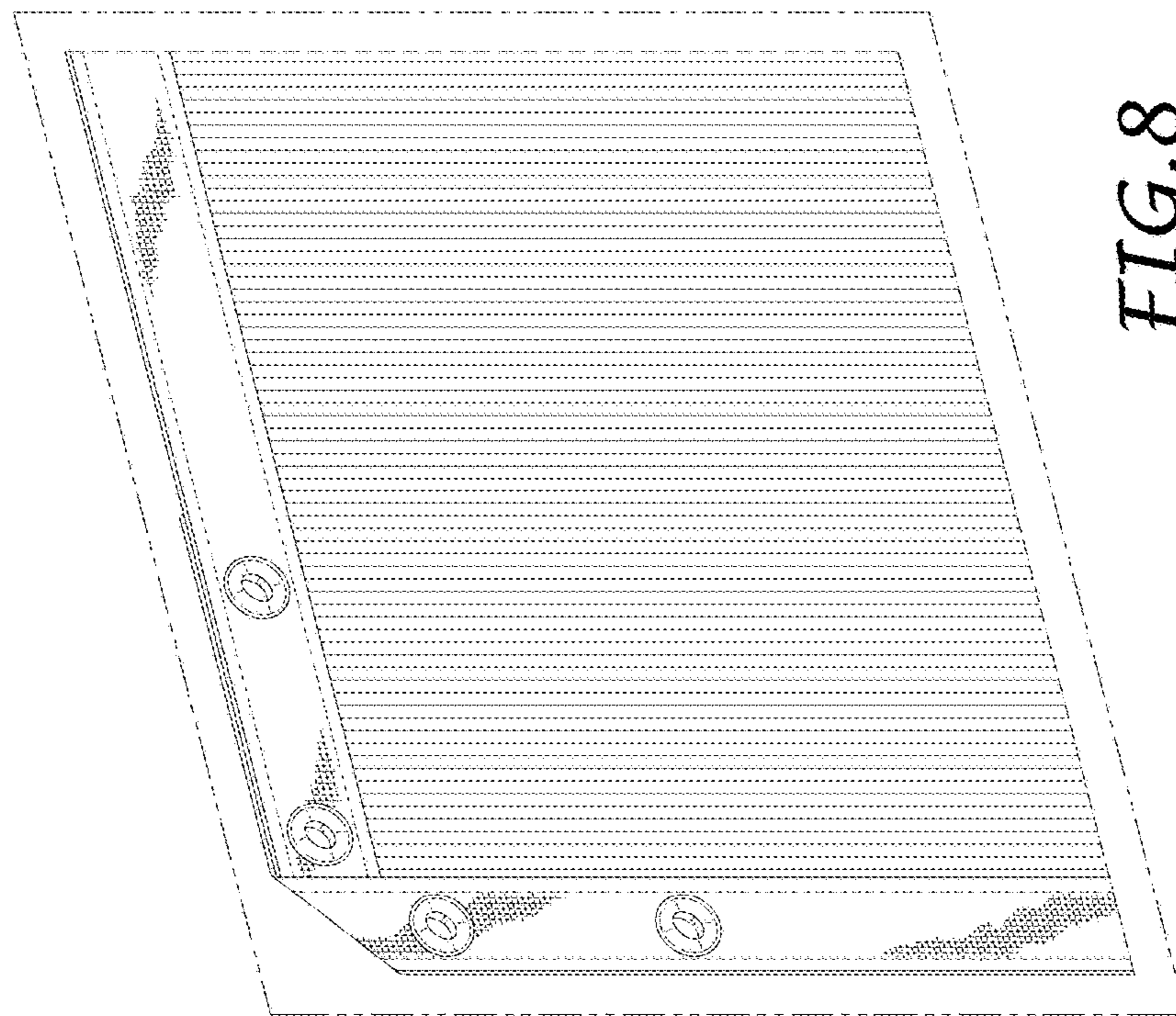


FIG. 8

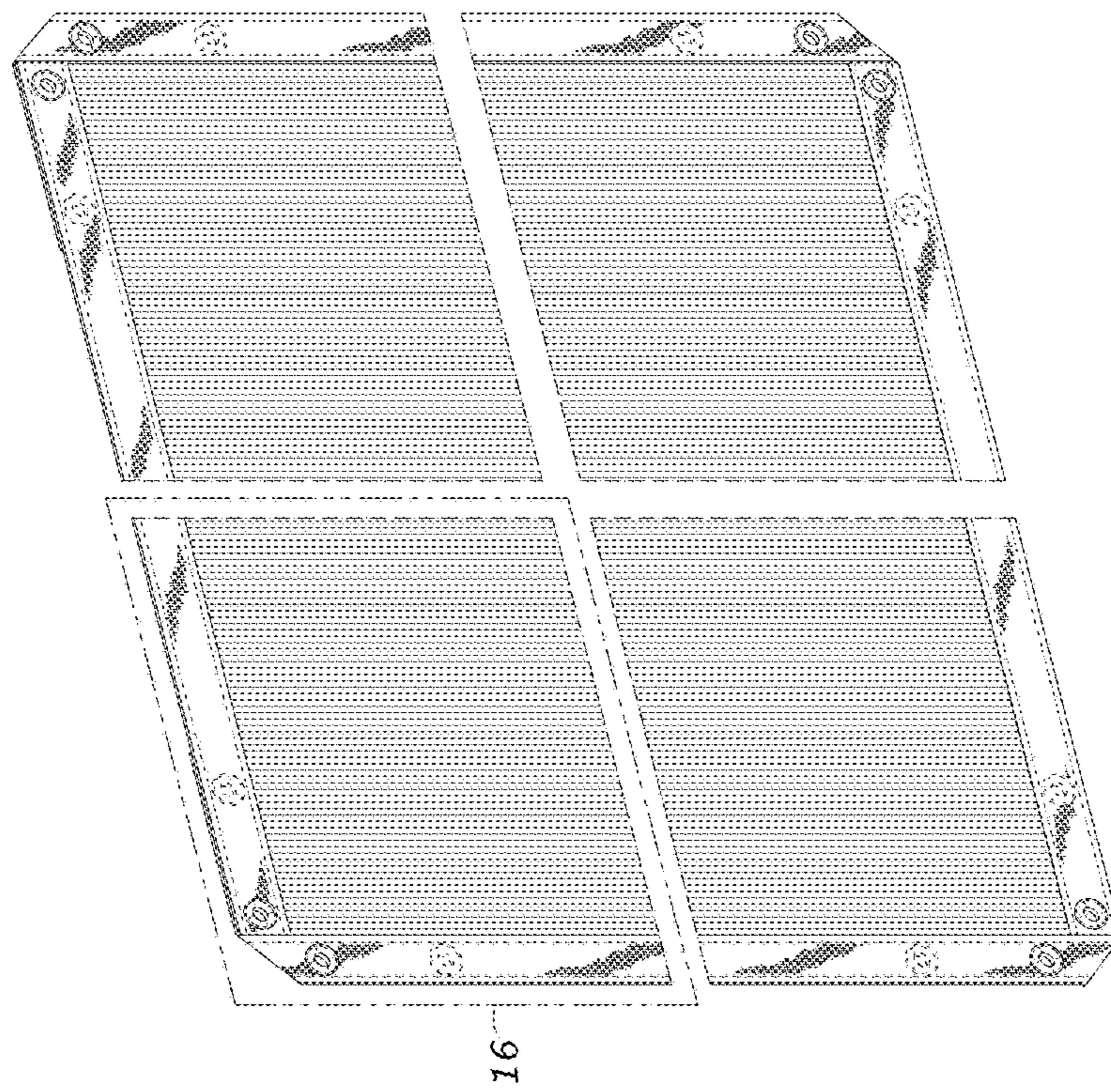


FIG. 9

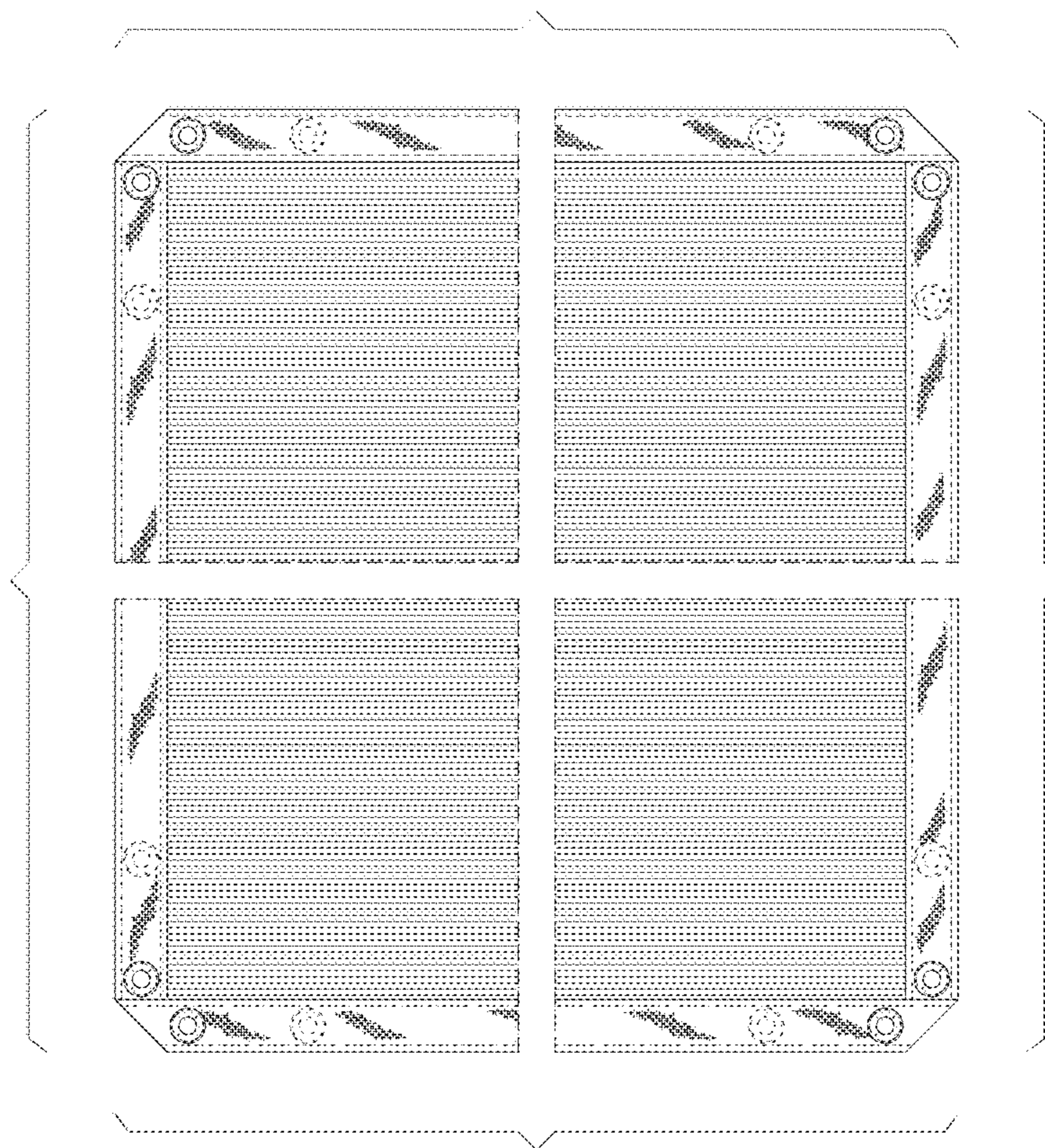


FIG. 10

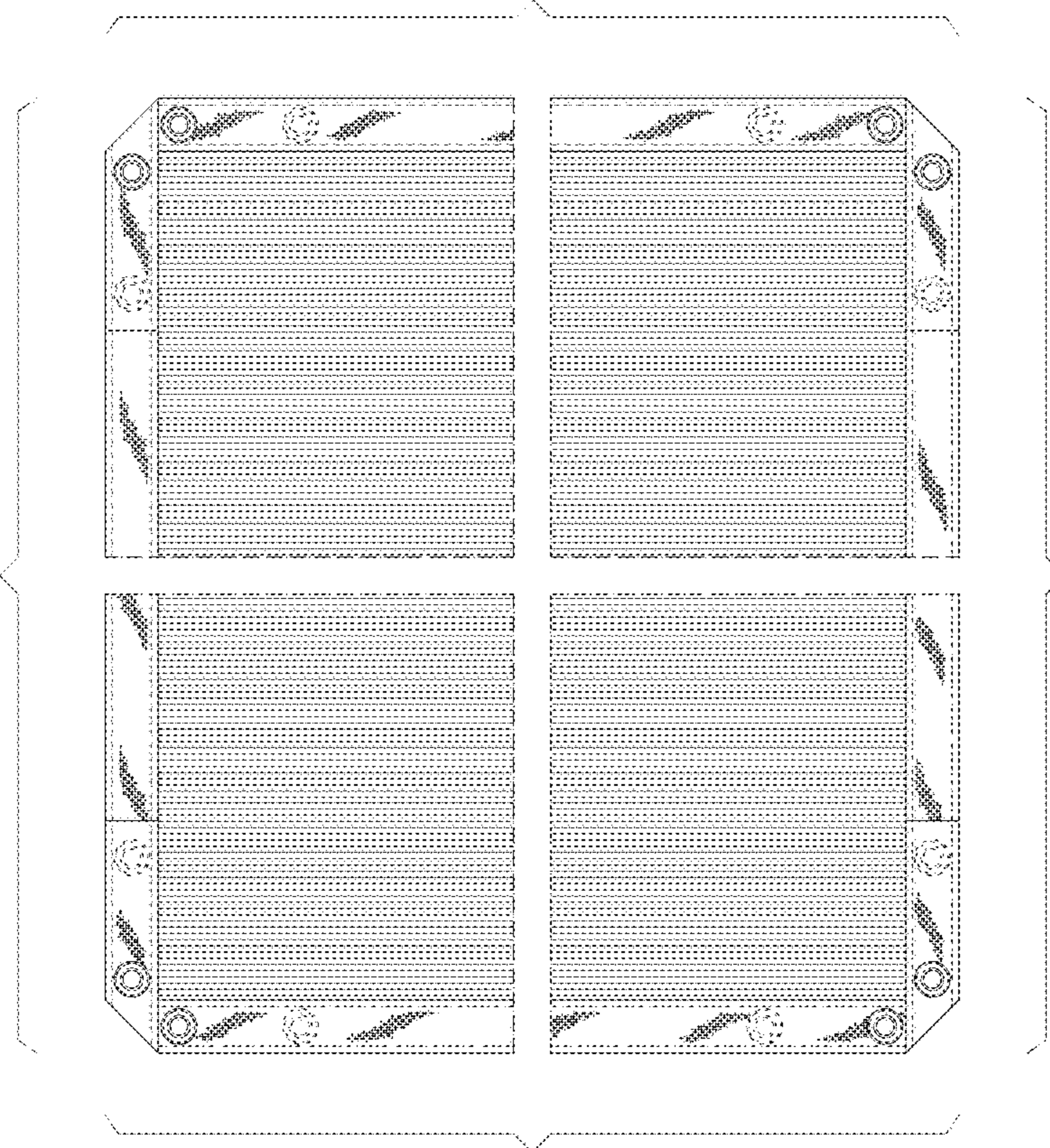


FIG. 11

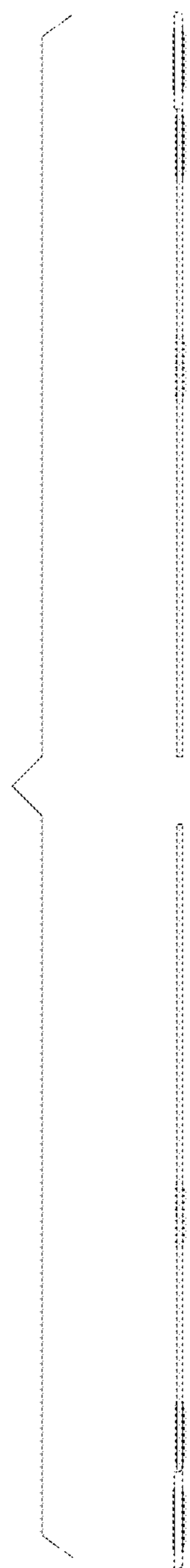


FIG. 12

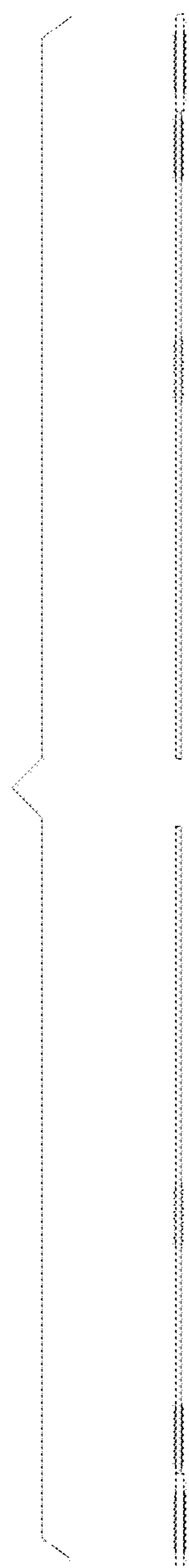


FIG. 13



FIG. 14



FIG. 15

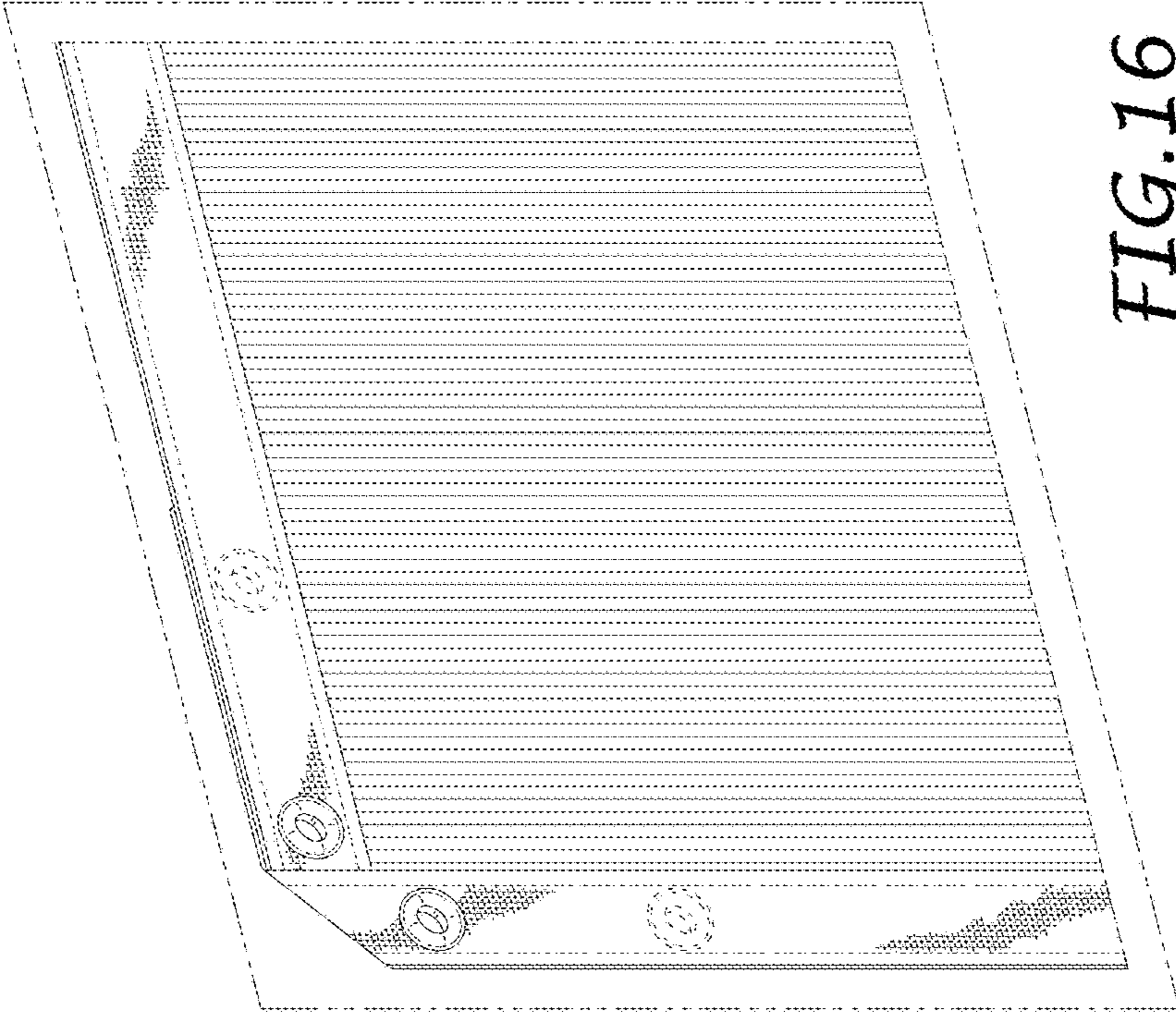


FIG. 16

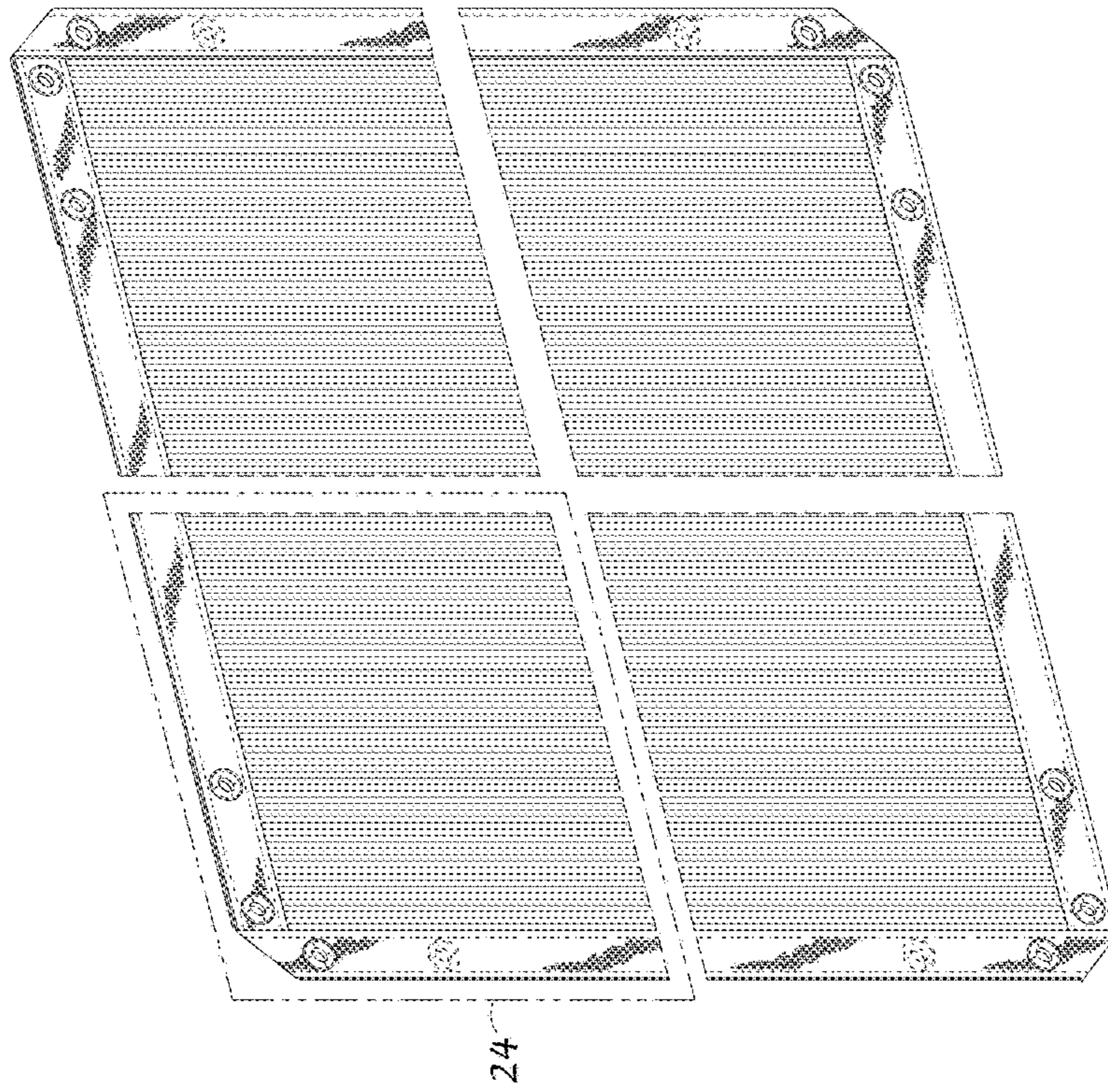


FIG. 17

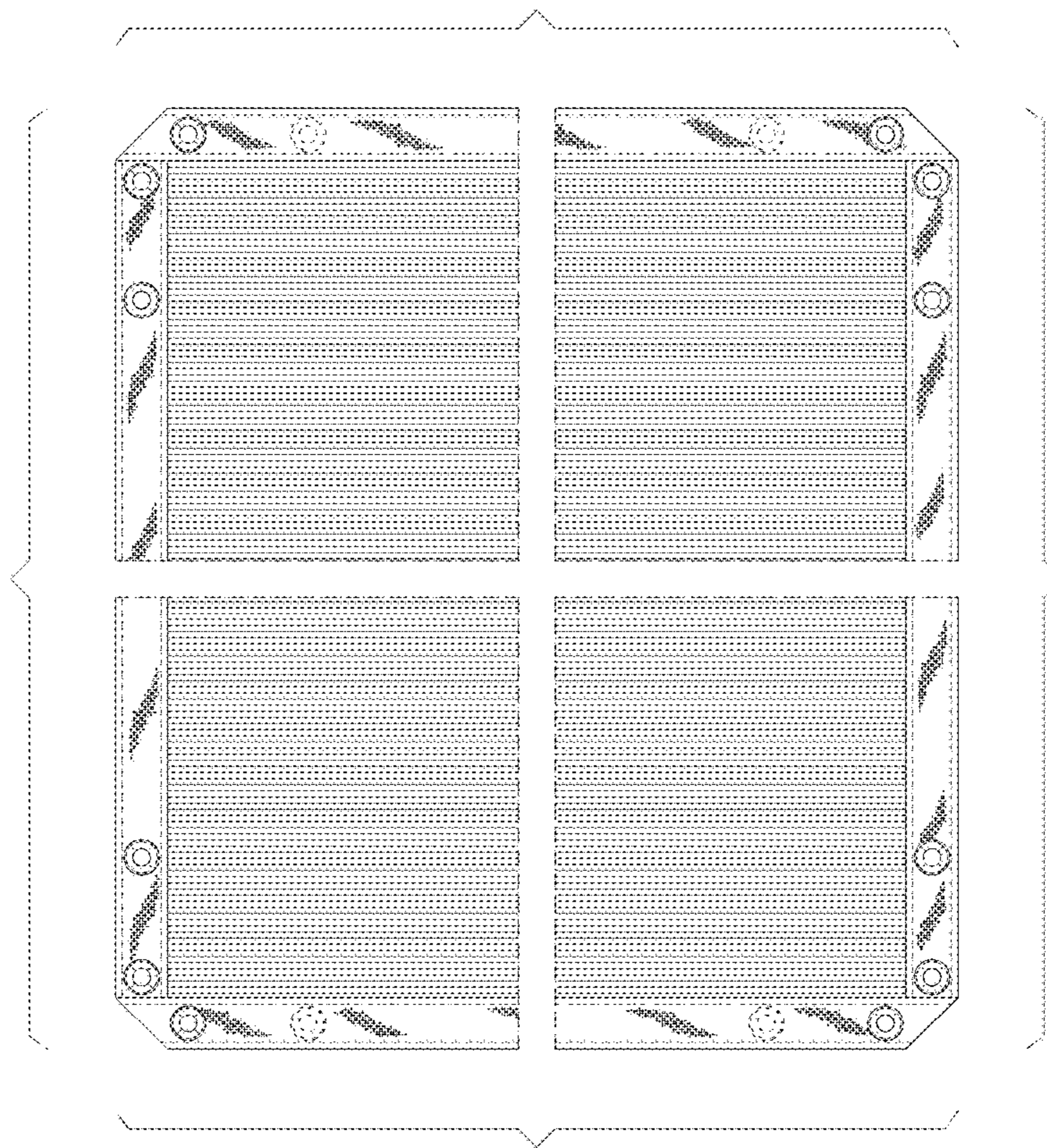


FIG. 18

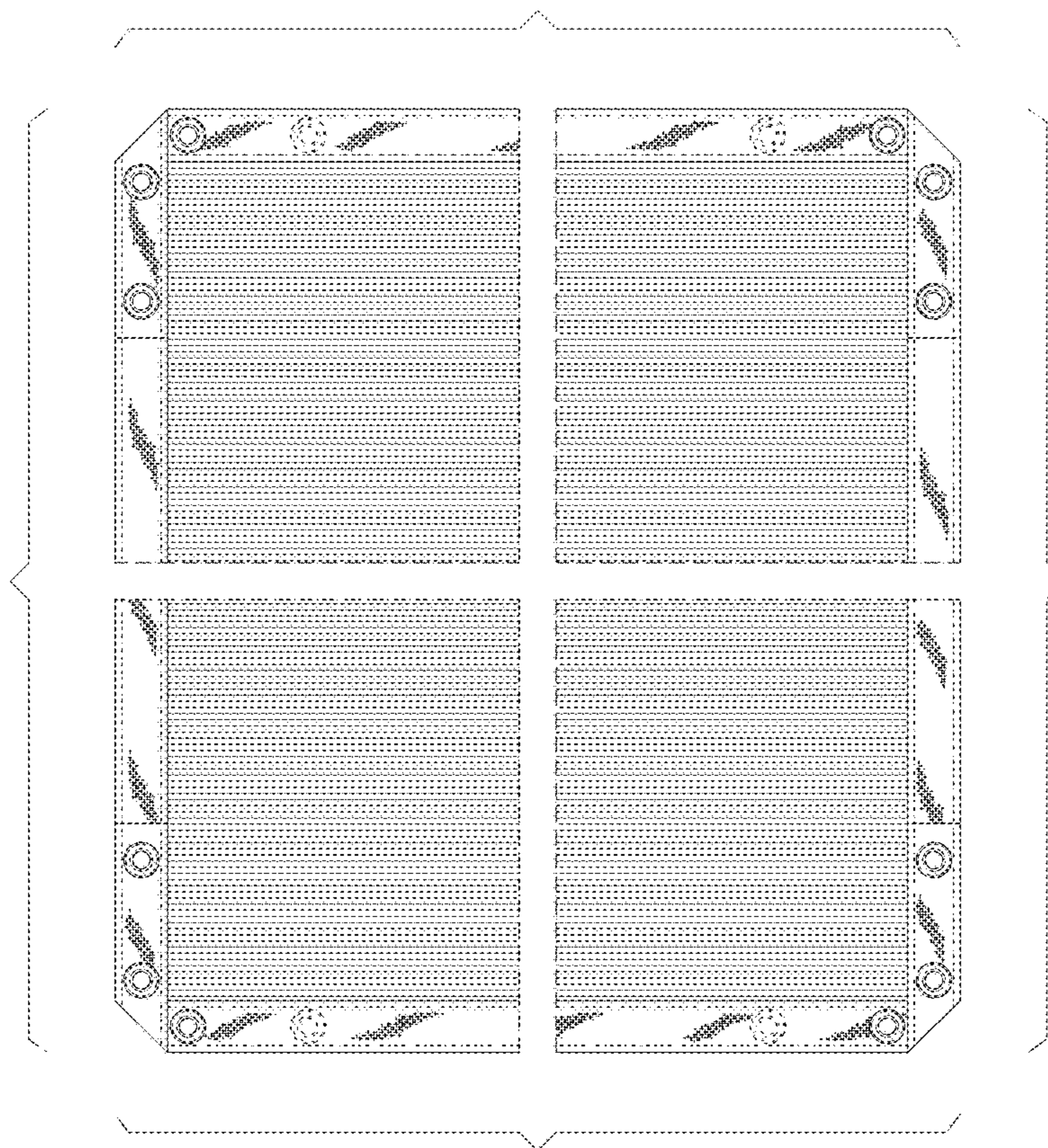


FIG. 19

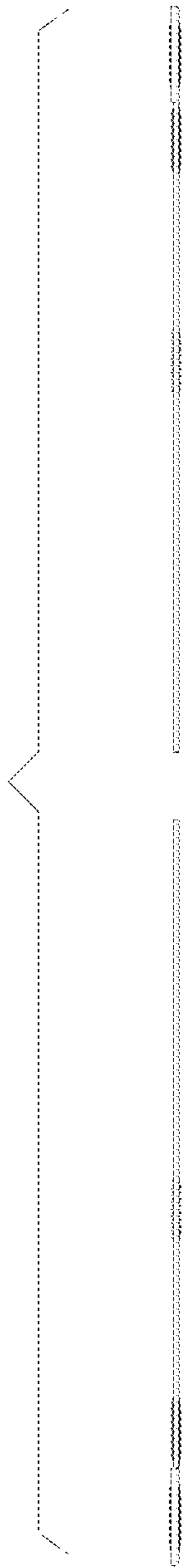


FIG. 20



FIG. 21

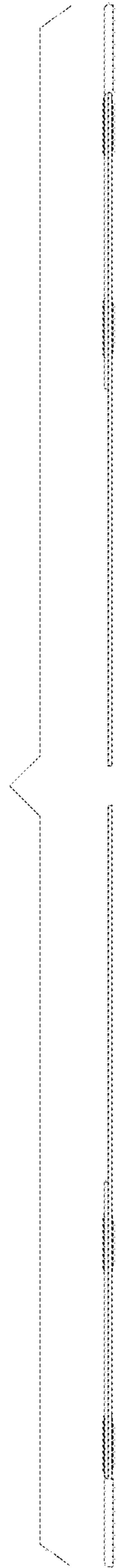


FIG. 22



FIG. 23

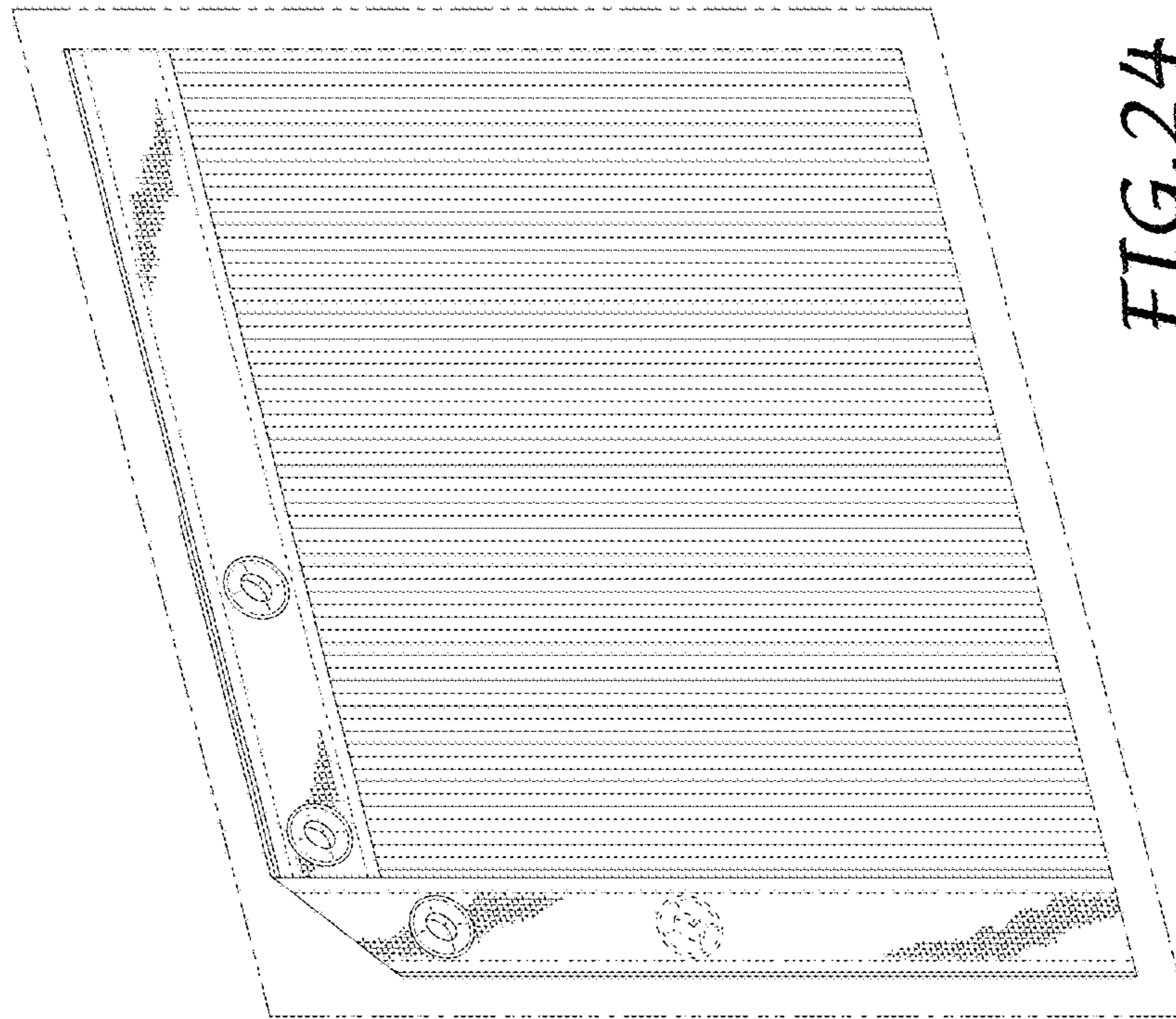


FIG. 24

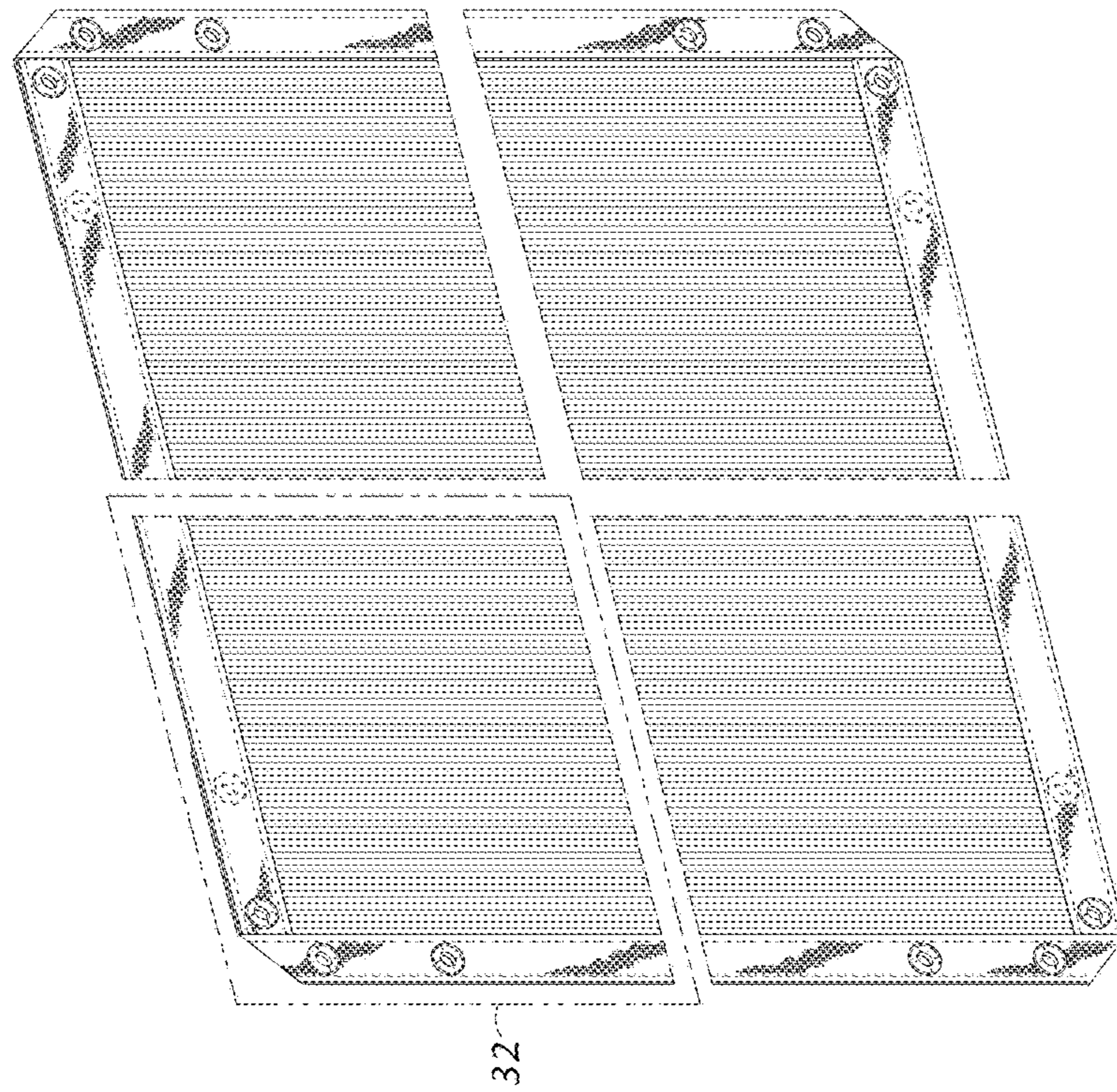


FIG. 25

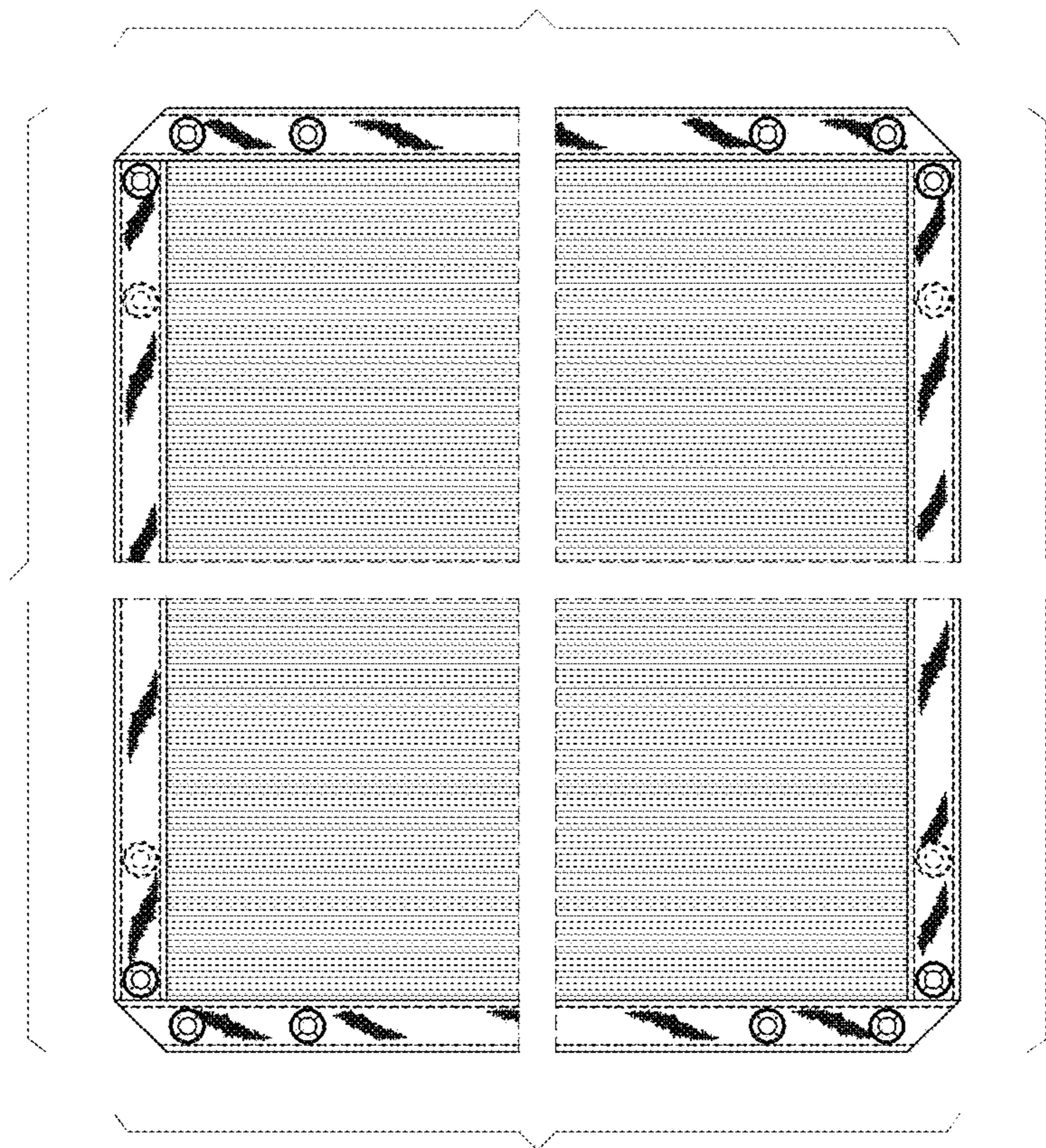


FIG. 26

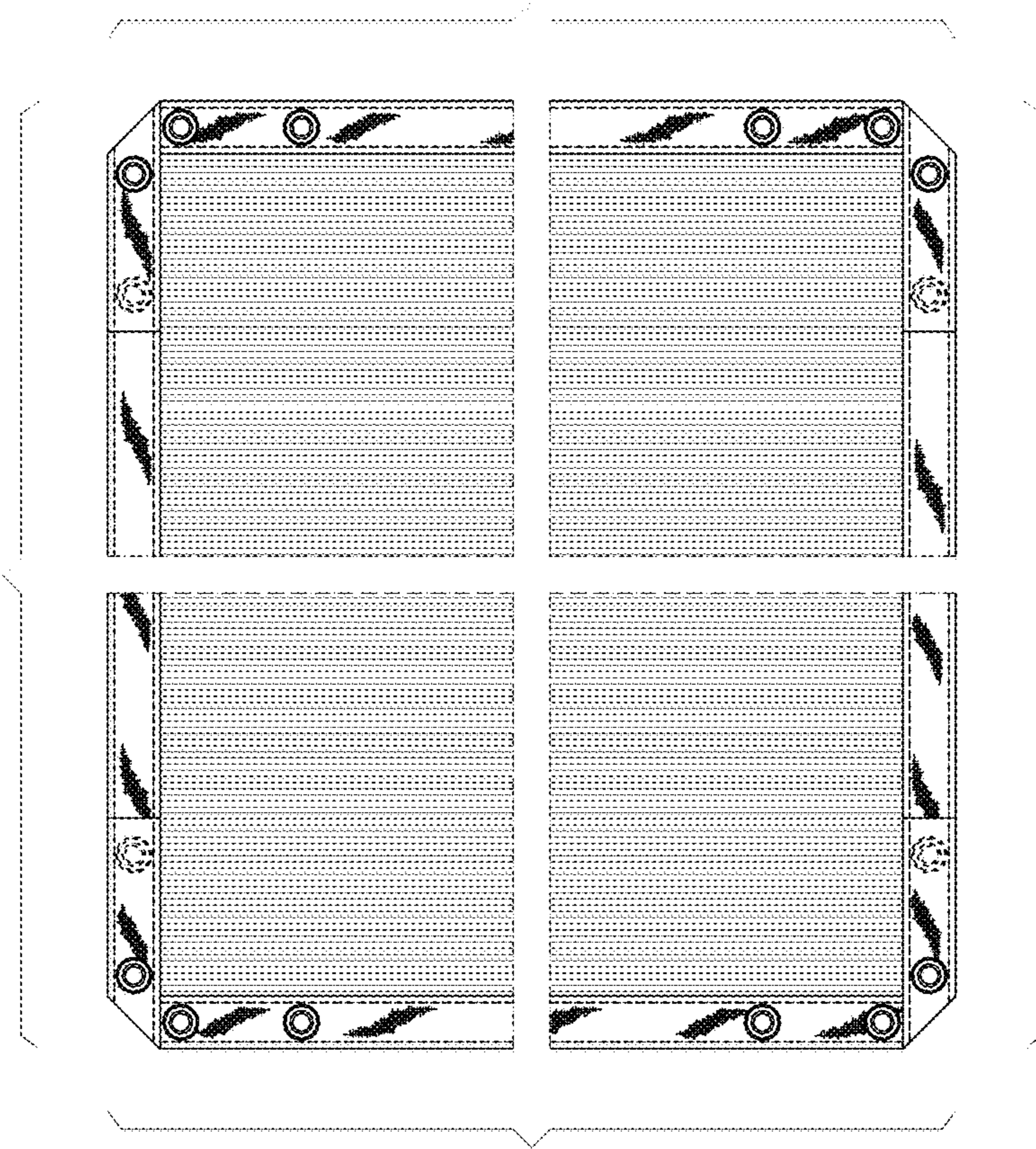


FIG. 27

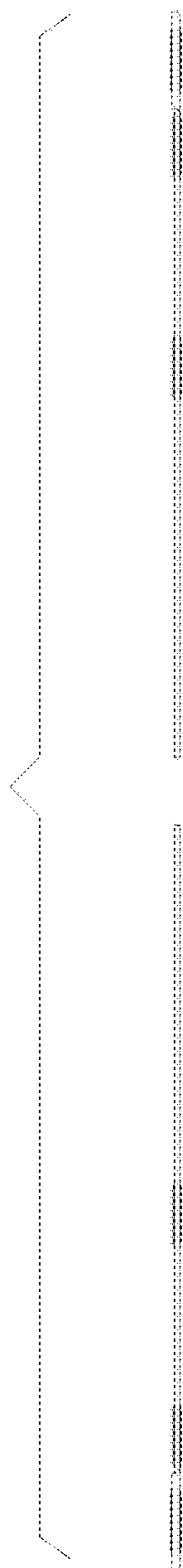


FIG. 28

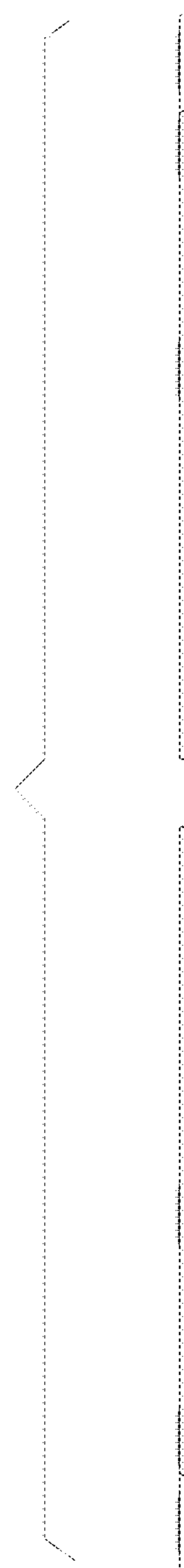


FIG. 29



FIG. 30

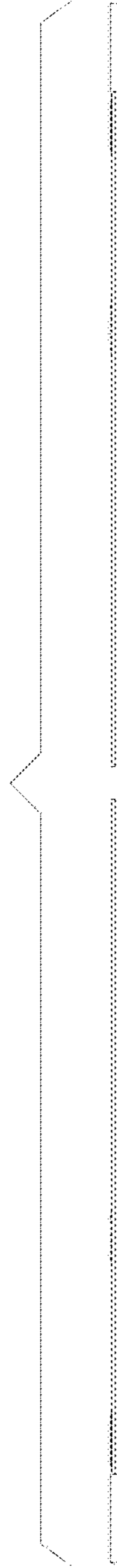


FIG. 31

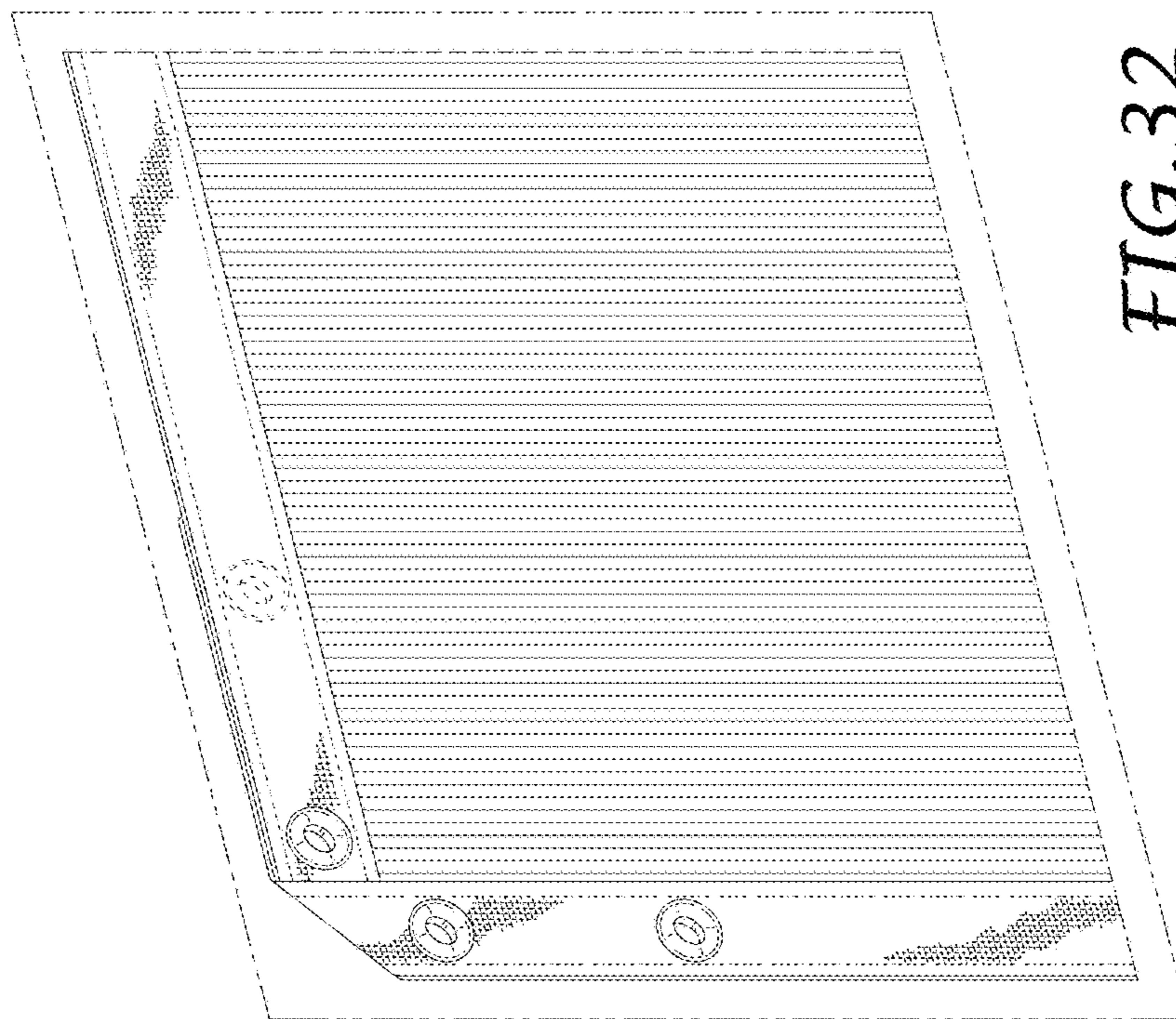


FIG. 32