



US00D862733S

(12) **United States Design Patent**
Kwong

(10) **Patent No.:** **US D862,733 S**

(45) **Date of Patent:** **** Oct. 8, 2019**

(54) **HOUSE**

(71) Applicant: **AluHouse Technology (GD) Company Limited**, Foshan, Guangdong (CN)

(72) Inventor: **Hoi Fung Kwong**, Guangdong (CN)

(73) Assignee: **Aluhouse Technology (GD) Company Limited**, Foshan, Guangdong (CN)

(**) Term: **15 Years**

(21) Appl. No.: **29/642,338**

(22) Filed: **Mar. 29, 2018**

(30) **Foreign Application Priority Data**

Sep. 30, 2017 (CN) 2017 30 480958

(51) **LOC (12) Cl.** **25-03**

(52) **U.S. Cl.**
USPC **D25/18**

(58) **Field of Classification Search**
USPC D25/1-35, 55-61
CPC E04H 1/00-14; E04H 3/00-10; E04H 9/14-16
See application file for complete search history.

(56) **References Cited**

U.S. PATENT DOCUMENTS

D638,551 S *	5/2011	Gann	D25/16
D641,090 S *	7/2011	Clark	D25/16
D664,667 S *	7/2012	Krymov	D25/16
D731,077 S *	6/2015	Lehmann	D25/16
D768,874 S *	10/2016	Walter	D25/16
D822,227 S *	7/2018	Schmiedel	D25/18

2009/0266005 A1*	10/2009	Snel	E04H 1/1205 52/79.1
2011/0202396 A1*	8/2011	Viveiros	E04H 3/02 705/14.4
2016/0208512 A1*	7/2016	S Ez Blaya	E04H 1/005
2017/0337783 A1*	11/2017	Konecny	E04H 1/12

OTHER PUBLICATIONS

Tiny House Lover, The Alpod: a Stackable, Moveable Tiny House, Mar. 28, 2017, Youtube, <https://www.youtube.com/watch?v=ZMTh3NhgdTk> (Year: 2017).*

* cited by examiner

Primary Examiner — Brett Miller

(74) *Attorney, Agent, or Firm* — Alan D. Kamrath; Mayer & Williams PC

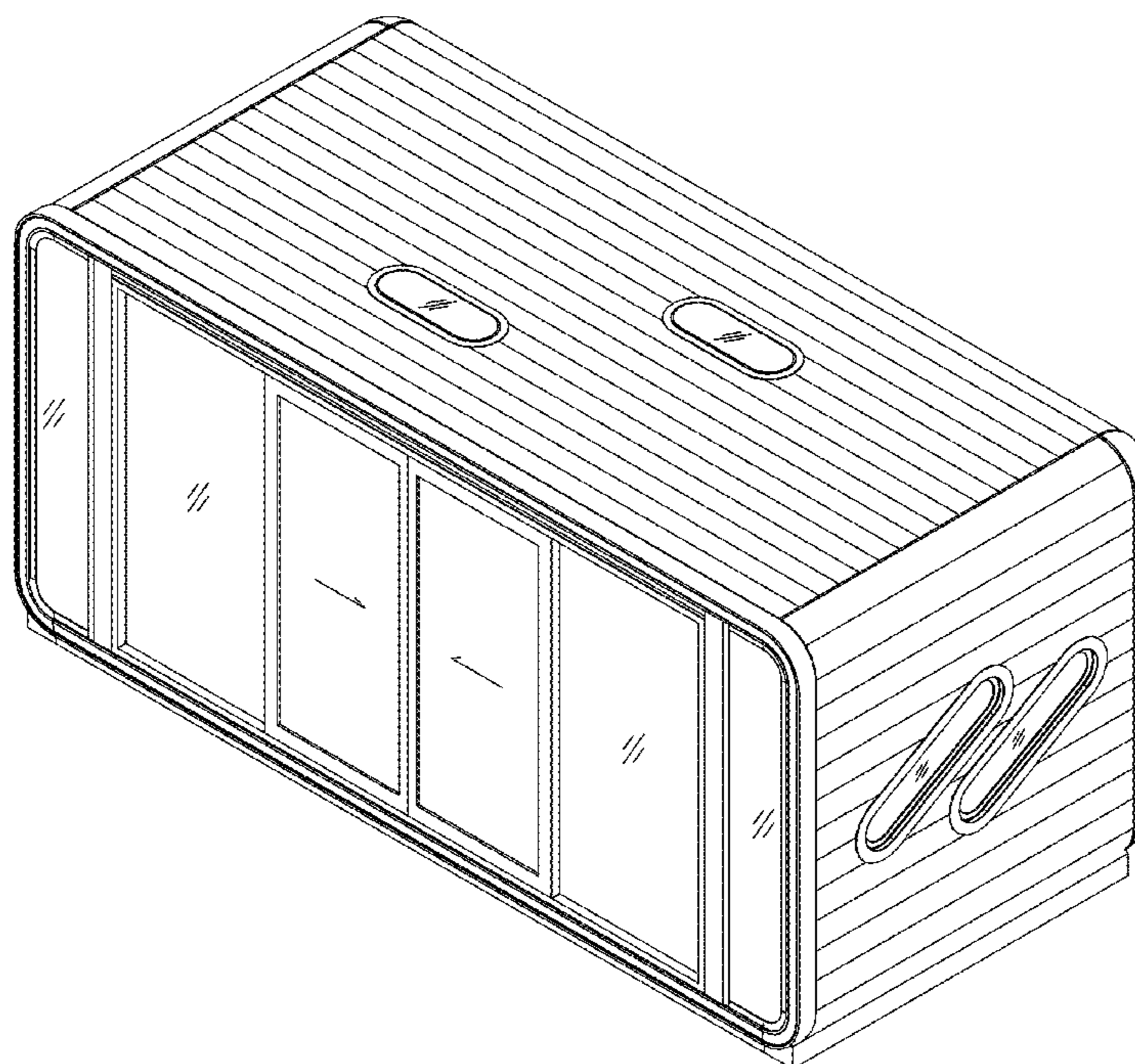
(57) **CLAIM**

The ornamental design for a house, as shown and described.

DESCRIPTION

FIG. 1 is a perspective view of a house showing my new design;
FIG. 2 is a front view thereof;
FIG. 3 is a rear view thereof;
FIG. 4 is a left view thereof;
FIG. 5 is a right view thereof;
FIG. 6 is a top view thereof; and,
FIG. 7 is a bottom view thereof.
The broken lines depict portions of the house that form no part of the claimed design.

1 Claim, 7 Drawing Sheets



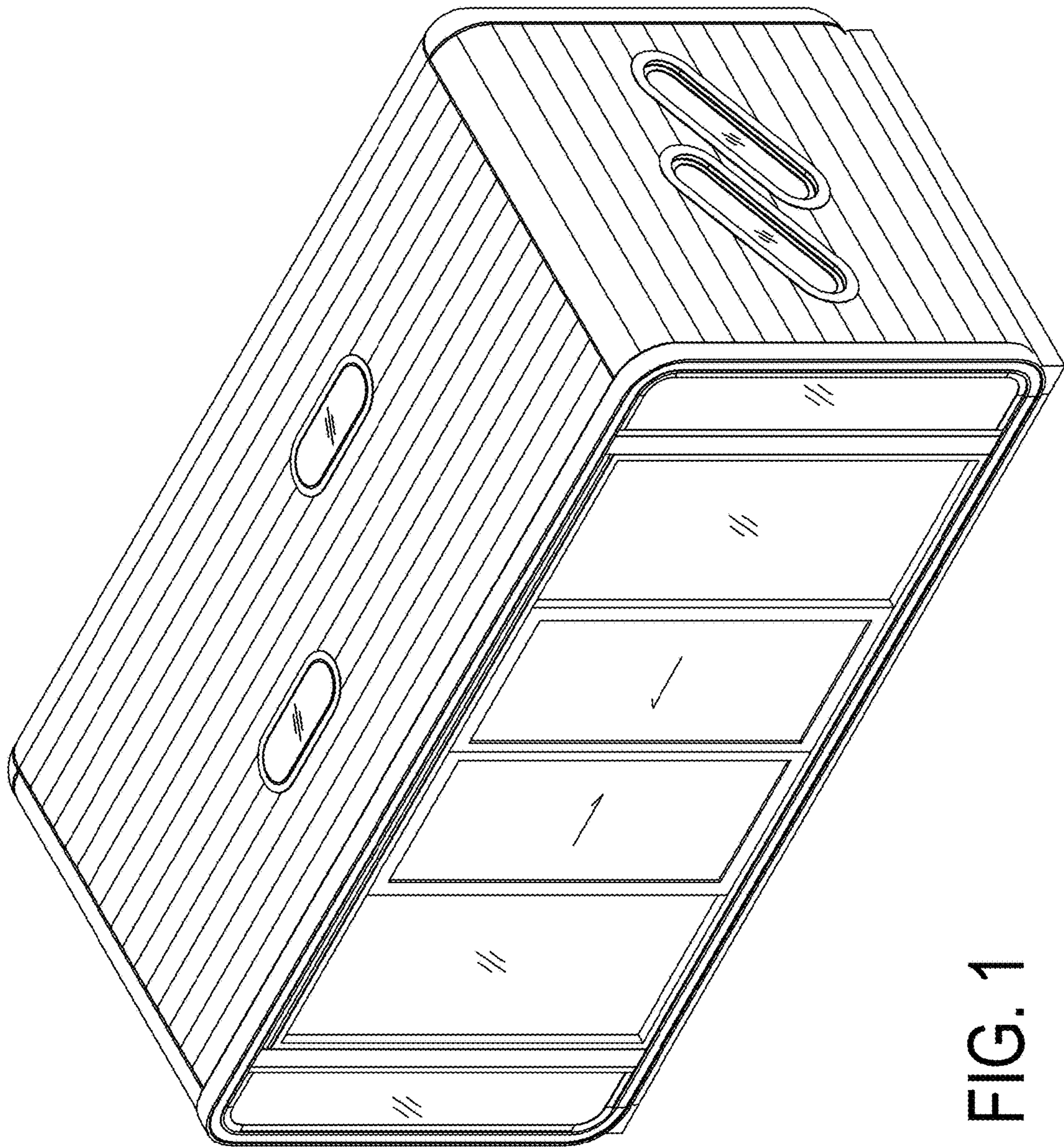


FIG. 1

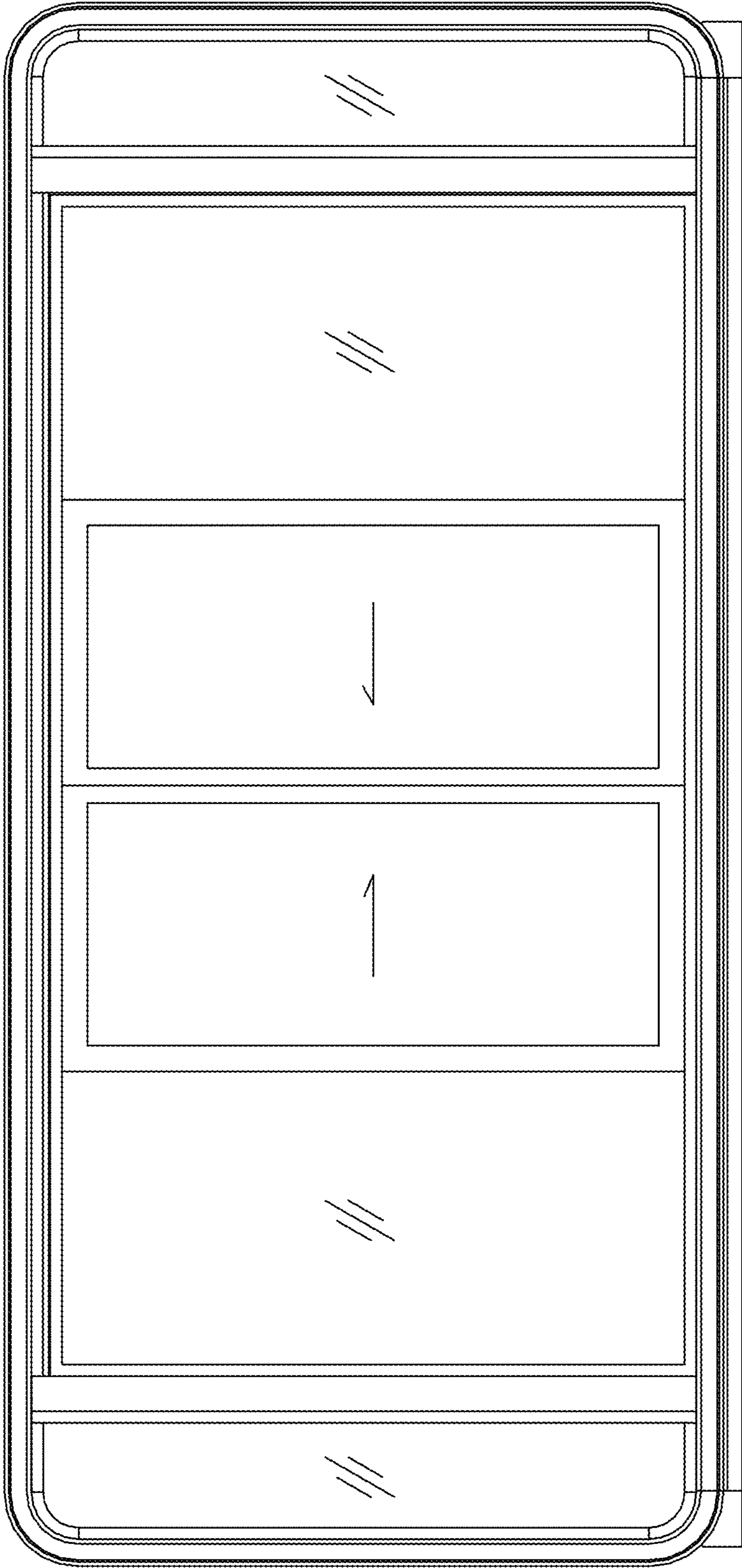


FIG. 2

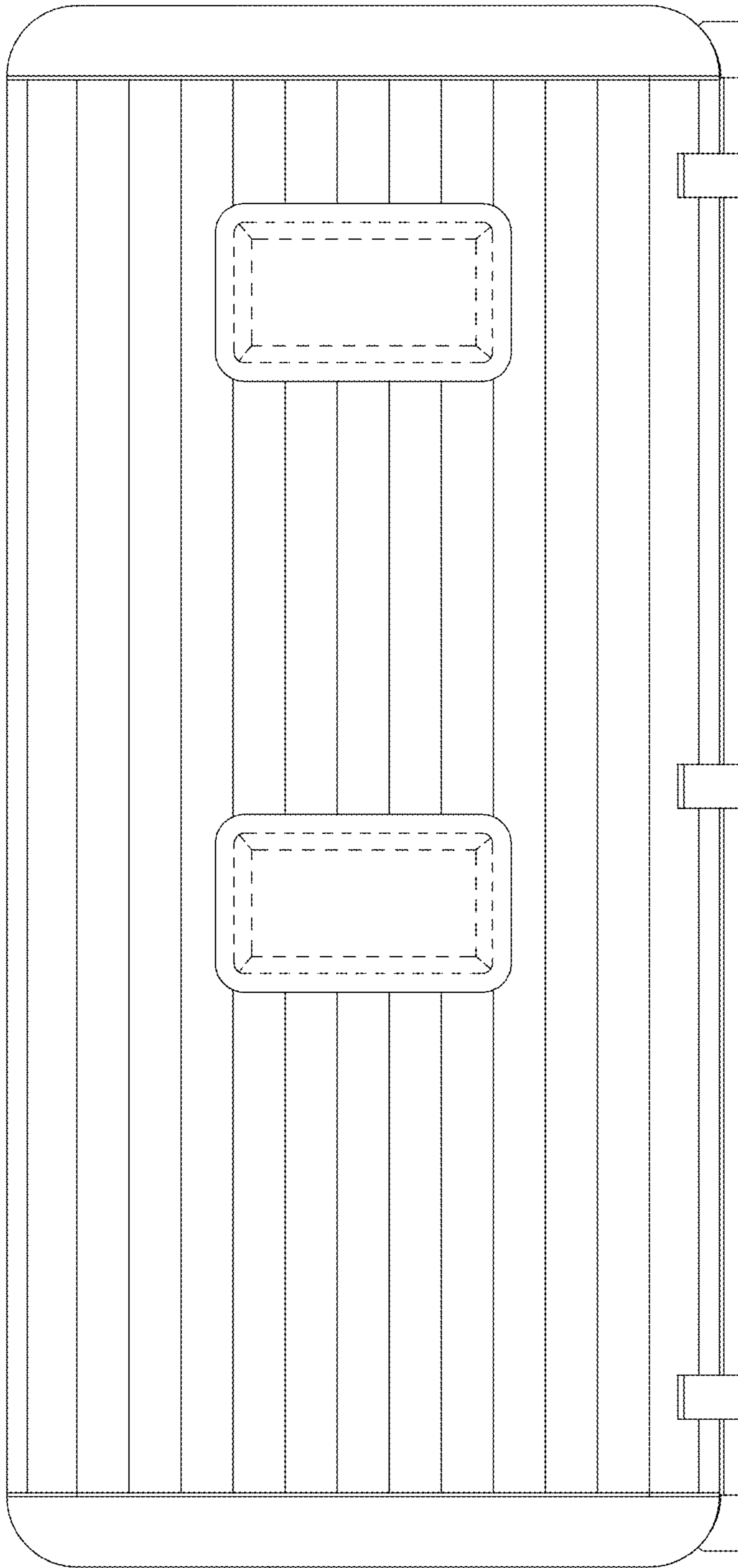


FIG. 3

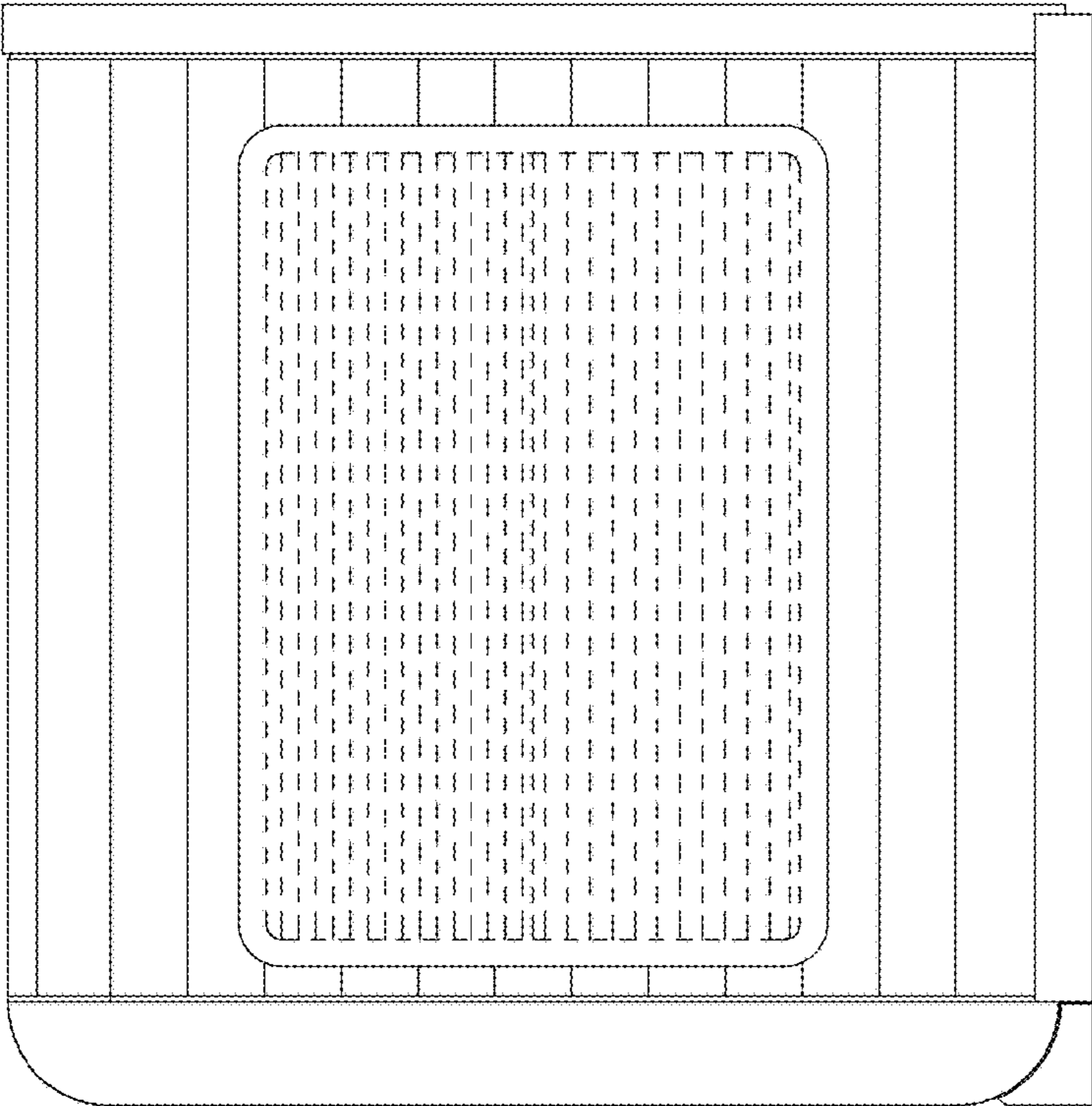


FIG. 4

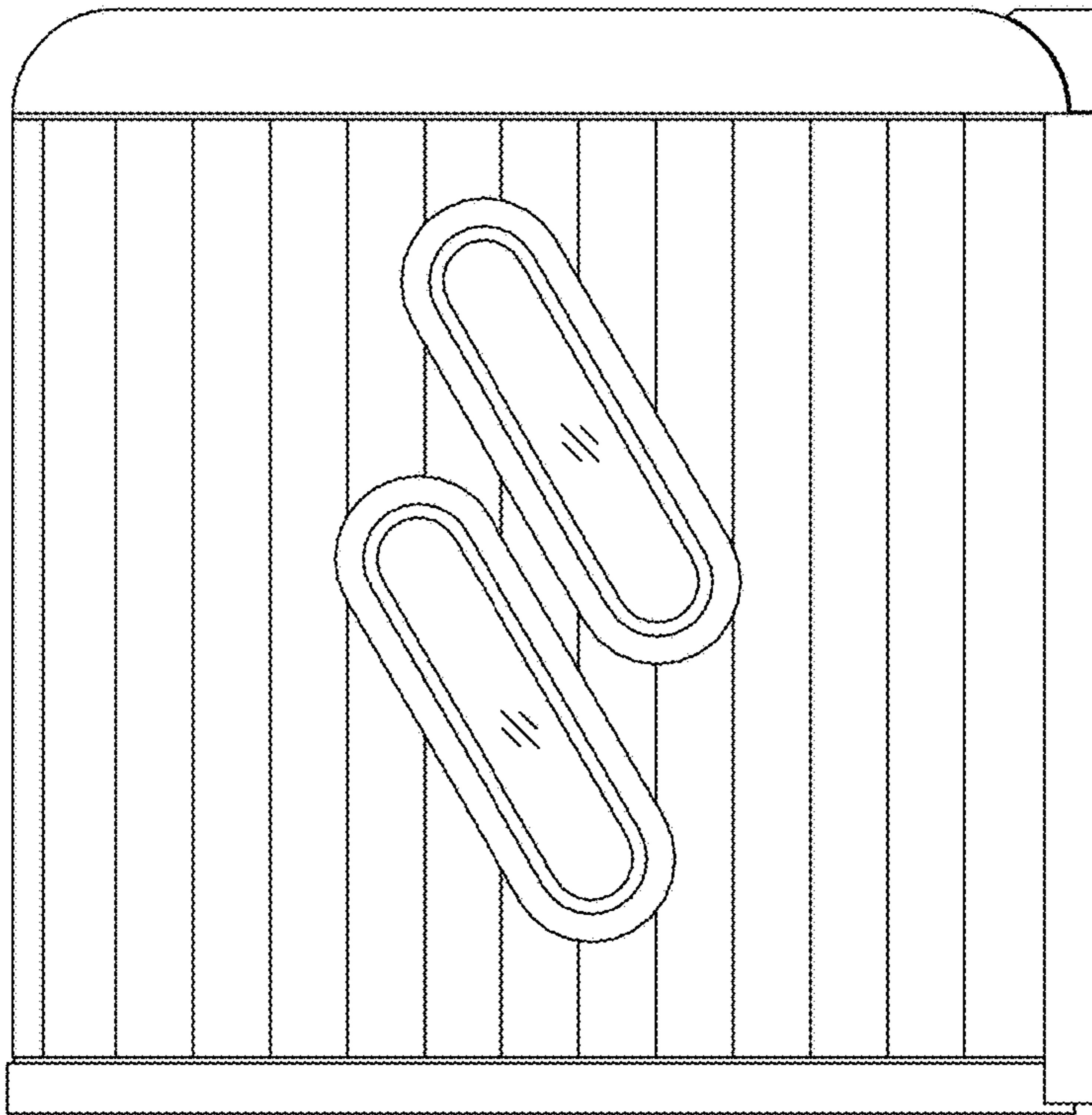


FIG. 5

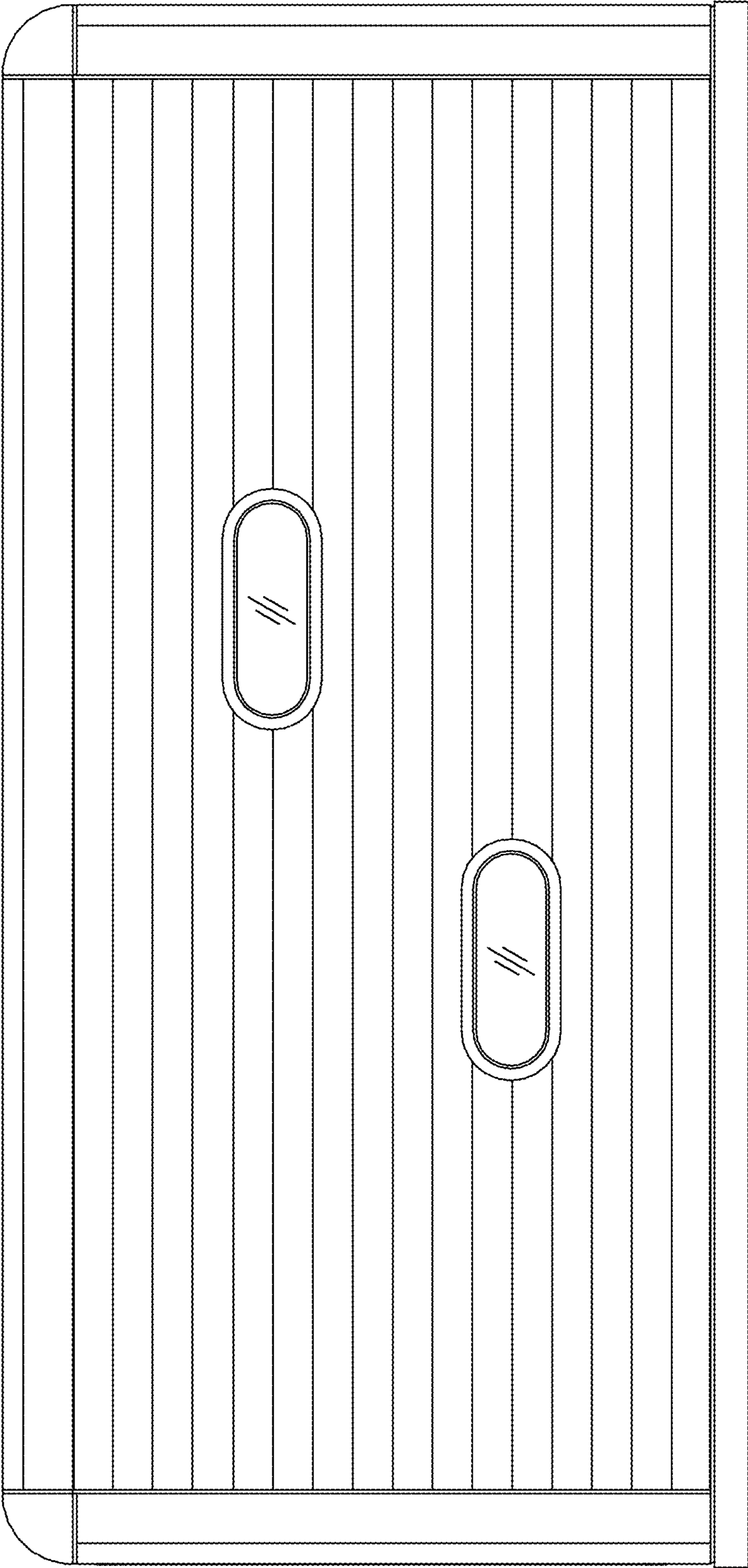


FIG. 6

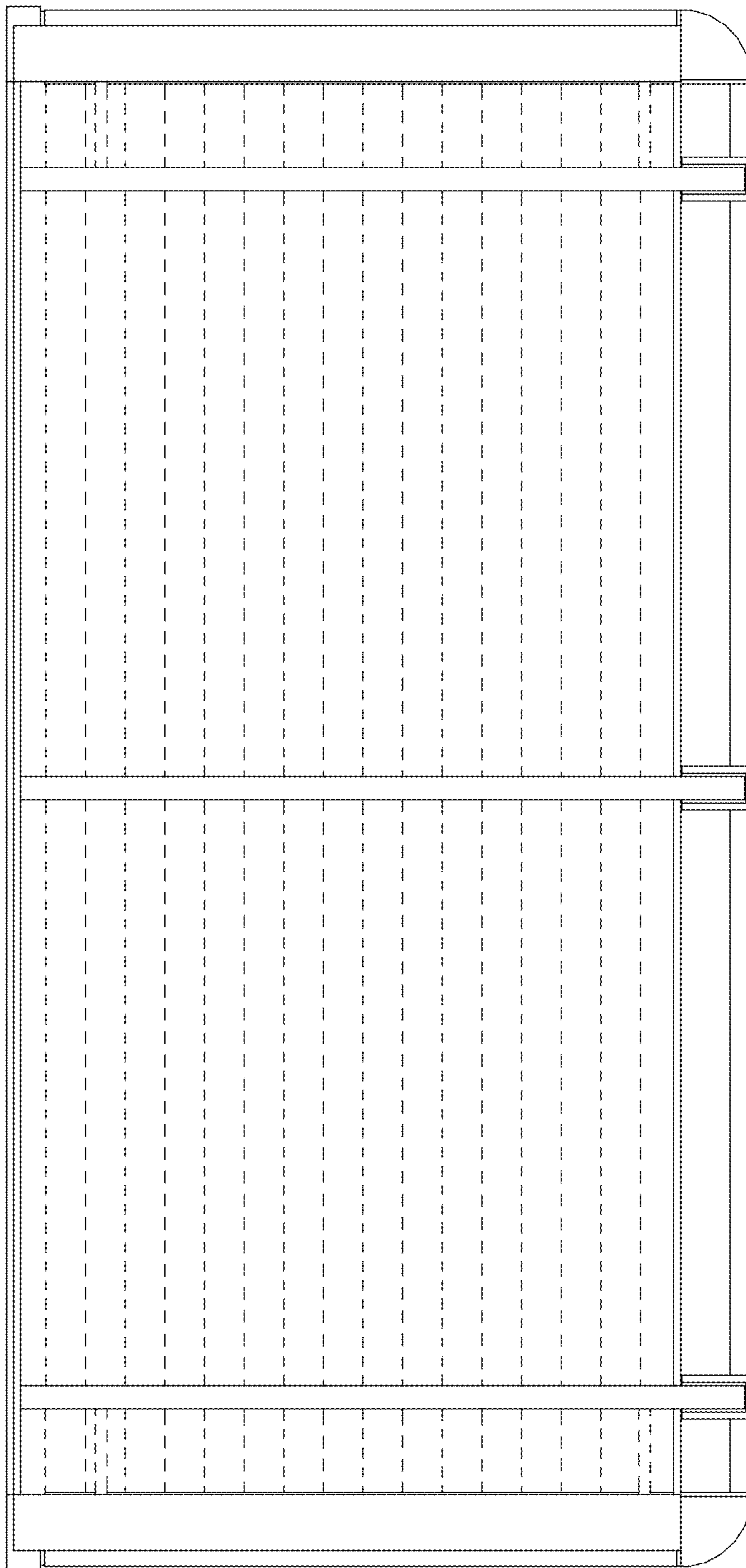


FIG. 7